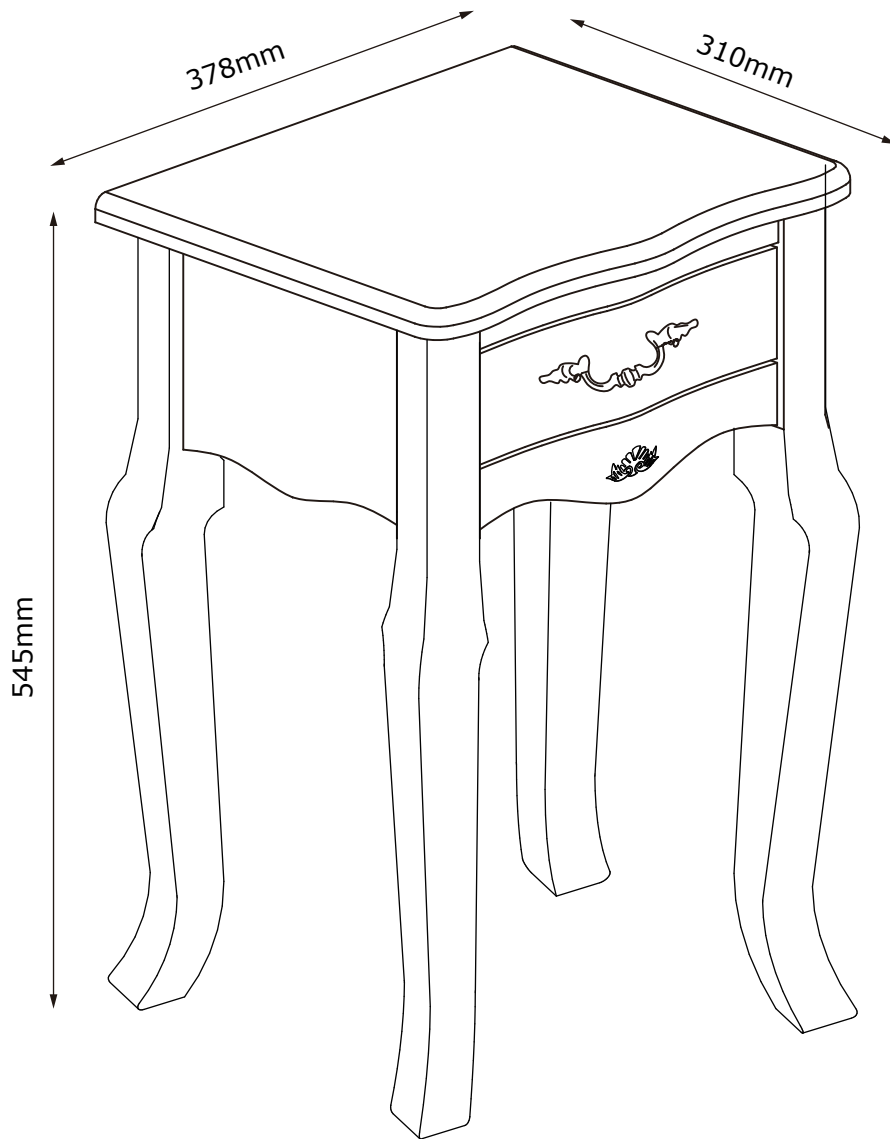
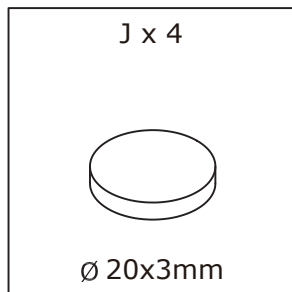
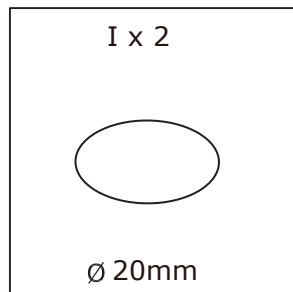
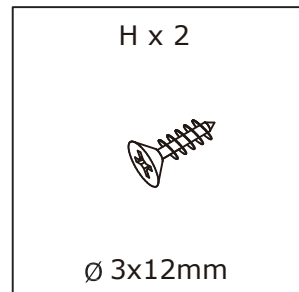
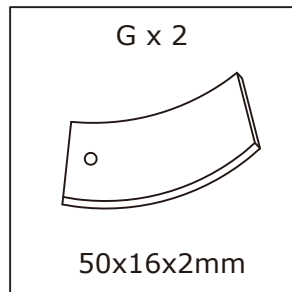
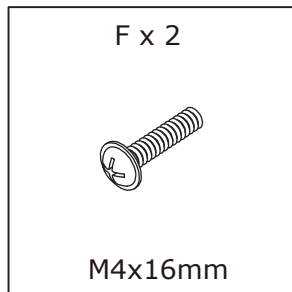
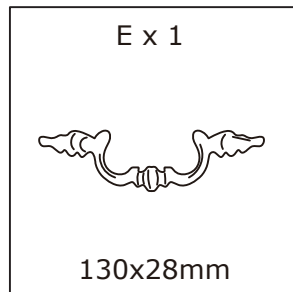
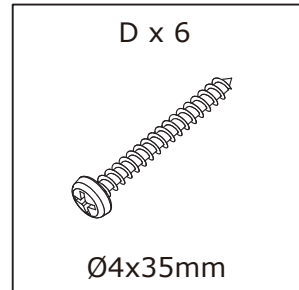
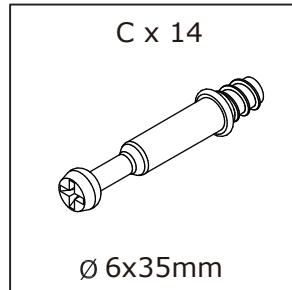
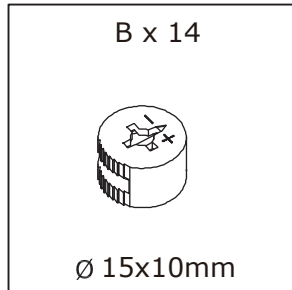
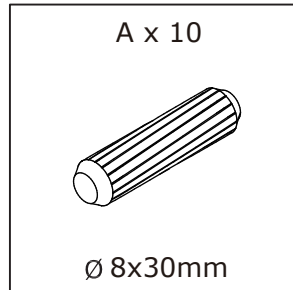
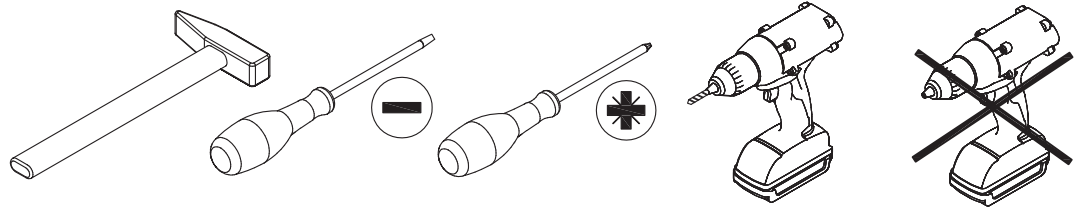
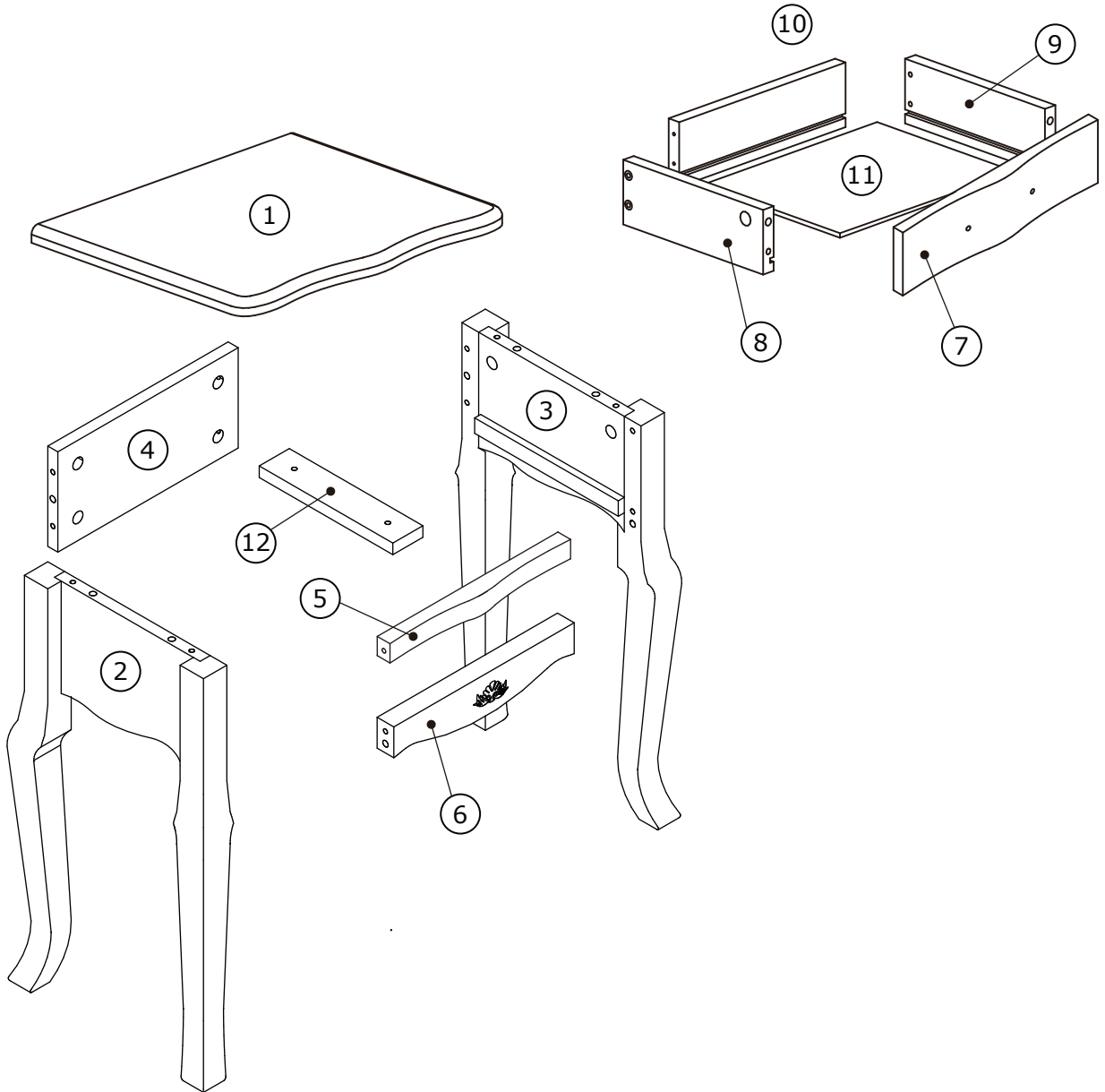


ASSEMBLY INSTRUCTIONS

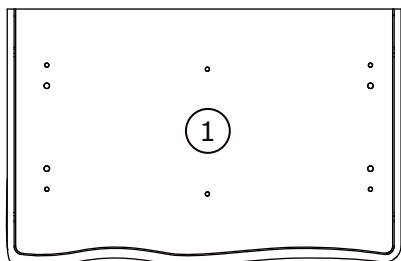
<<Before assembling, read all the instruction>>



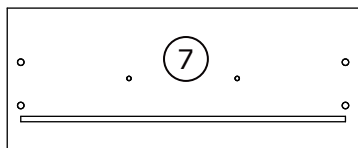




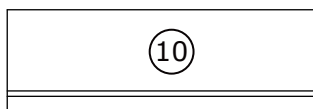
Box 1/1:



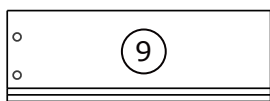
378x310x18 mm



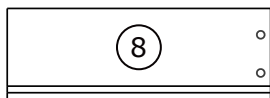
268x72x25 mm



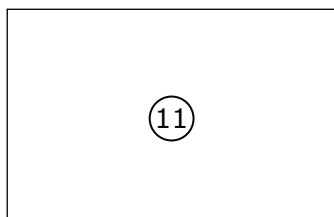
236x70x15 mm



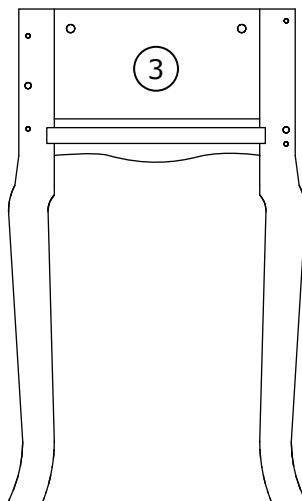
214x70x15 mm



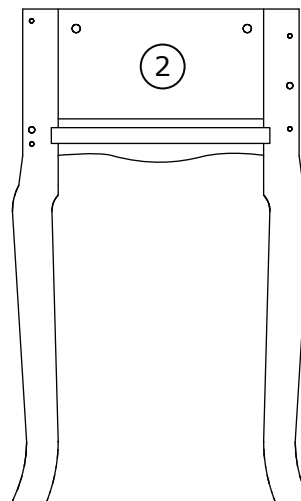
214x70x15 mm



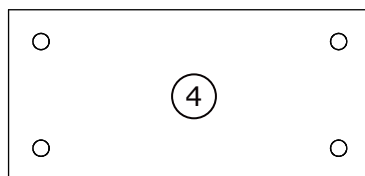
242x203x3 mm



525x285x50 mm



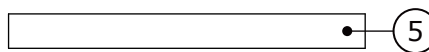
525x285x50 mm



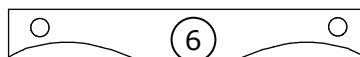
272x130x15 mm



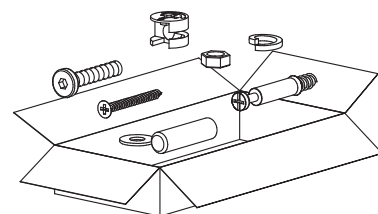
208x38x25 mm



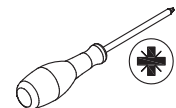
272x25x25 mm

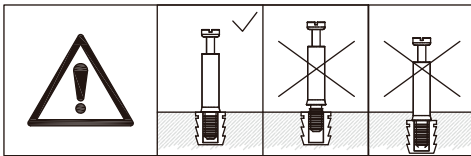
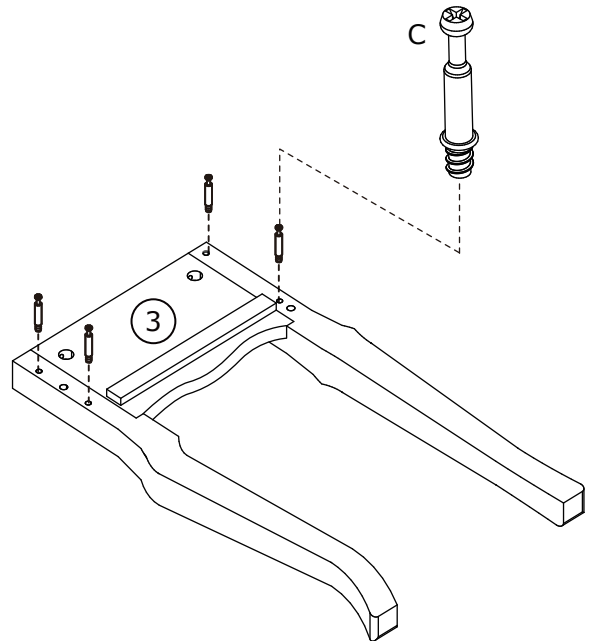
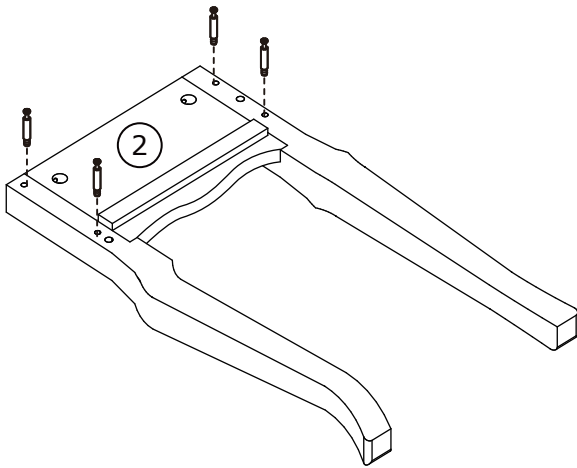


272x55x25 mm

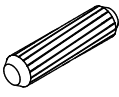
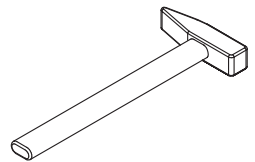


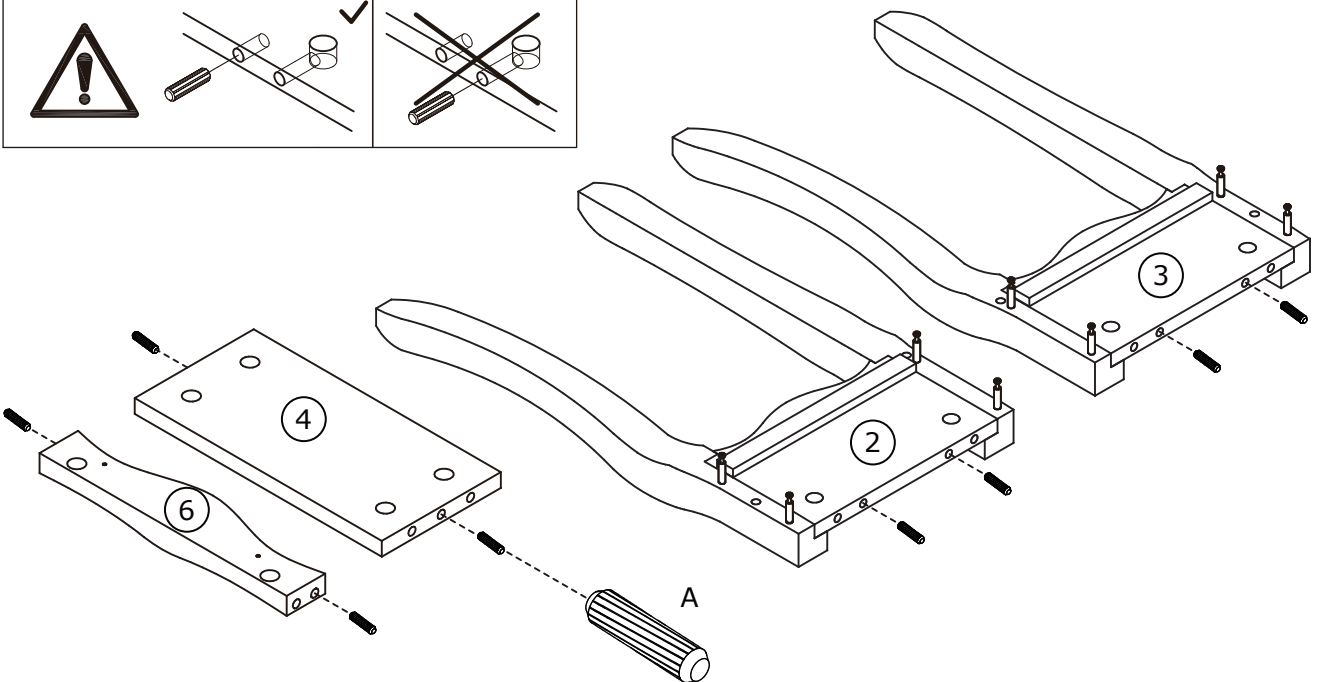
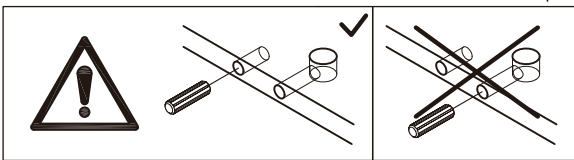
1

<p>C x 8</p>  <p>Ø6x35mm</p>	
---	---



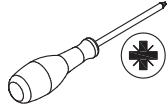


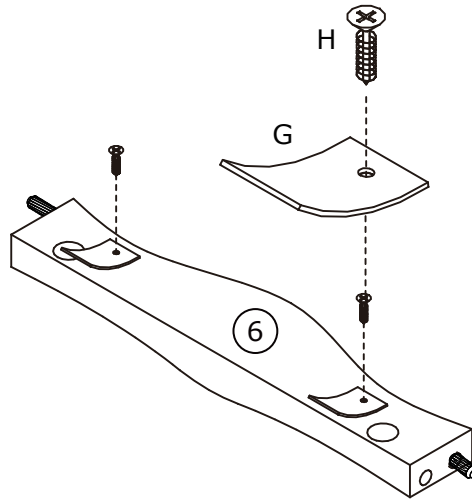
2

<p>A x 8</p>  <p>Ø8x30mm</p>	
---	---



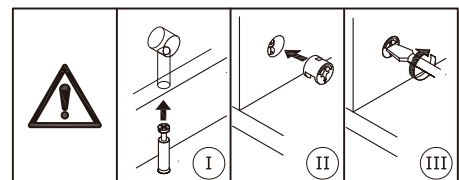
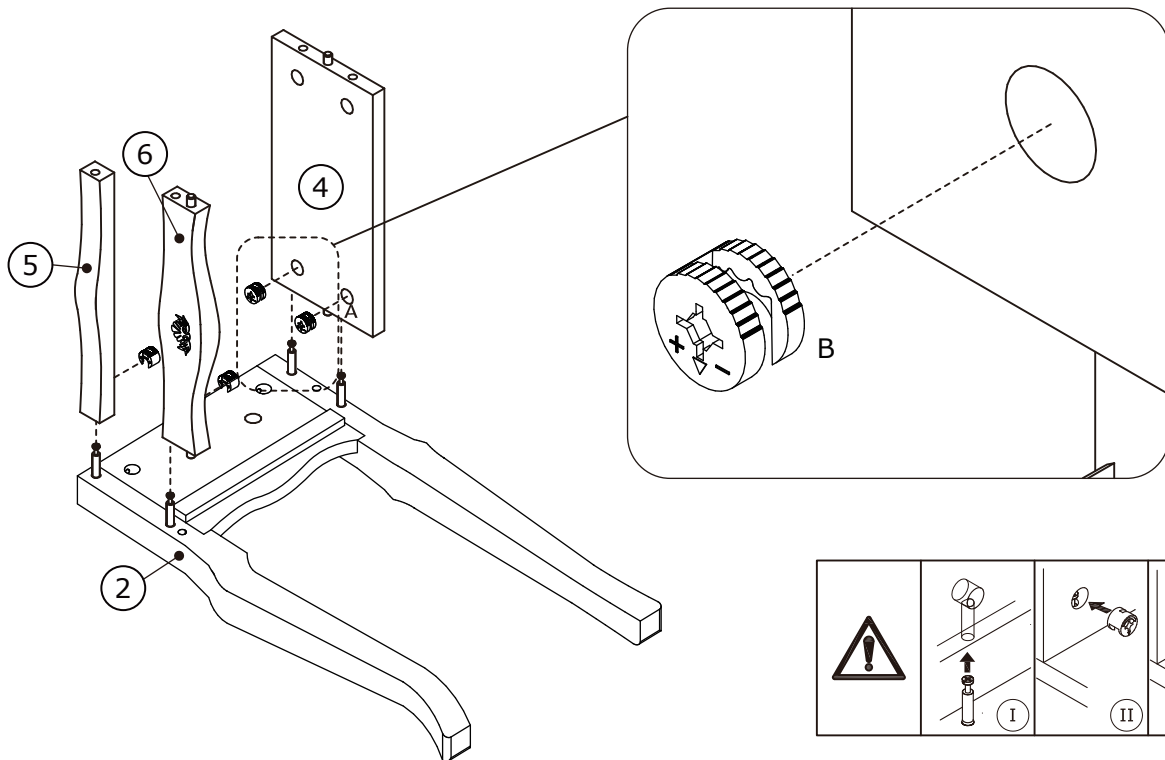
3

<p>G x 2</p>  <p>50x16x2mm</p>	<p>H x 2</p>  <p>Ø3x12mm</p>	
---	---	---



4

<p>B x 4</p>  <p>Ø15x10mm</p>	
--	---

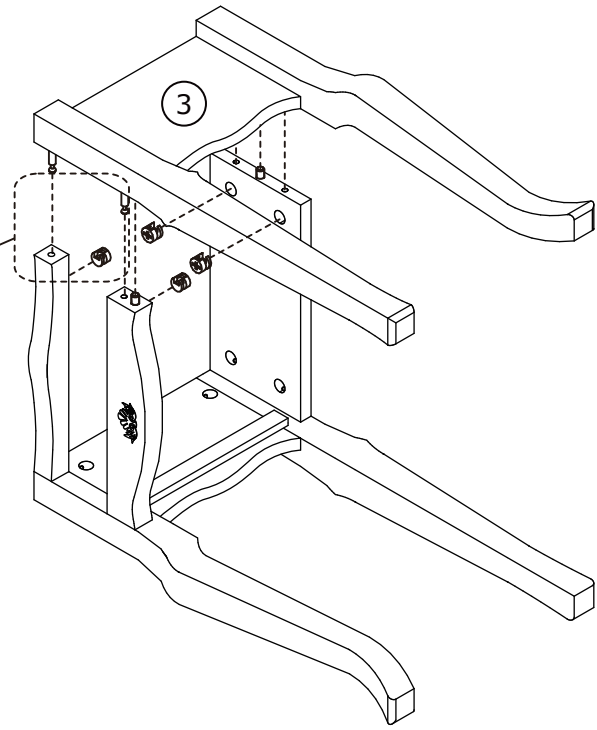
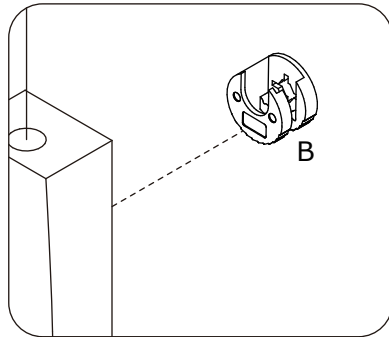
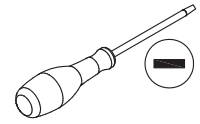


5

B x 4



Ø15x10mm

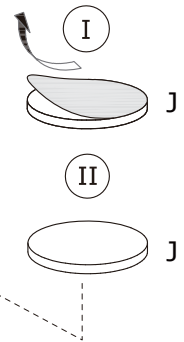
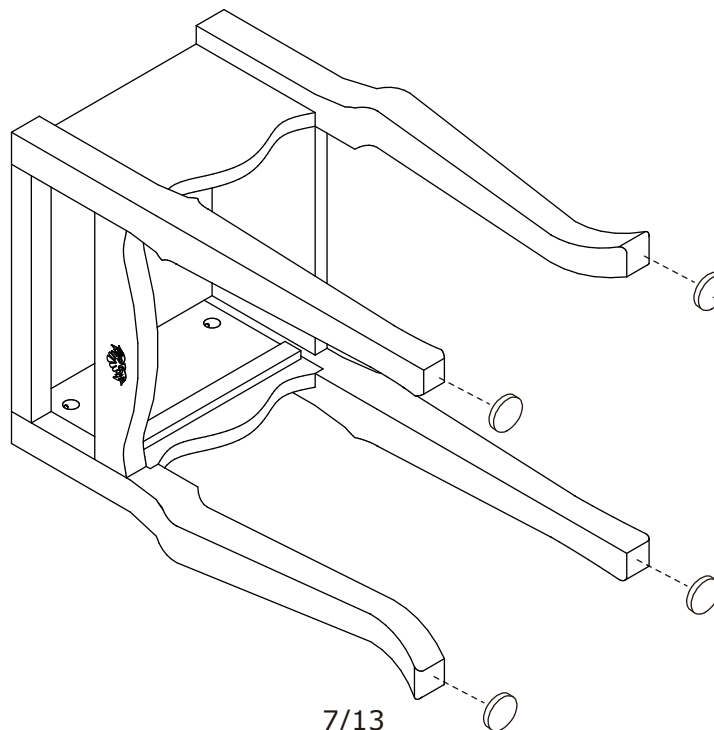


6


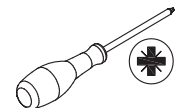
J x 4

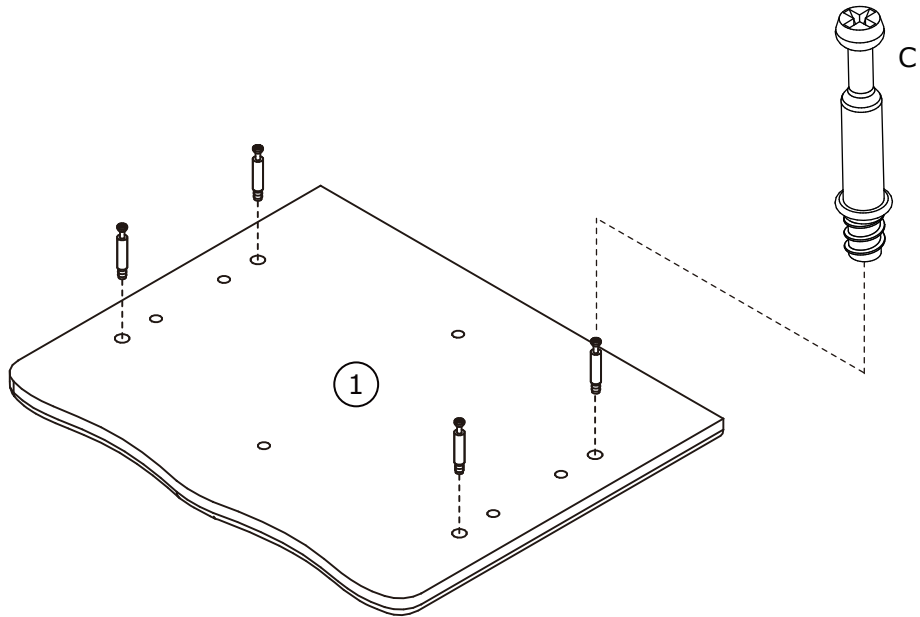


Ø20x3mm



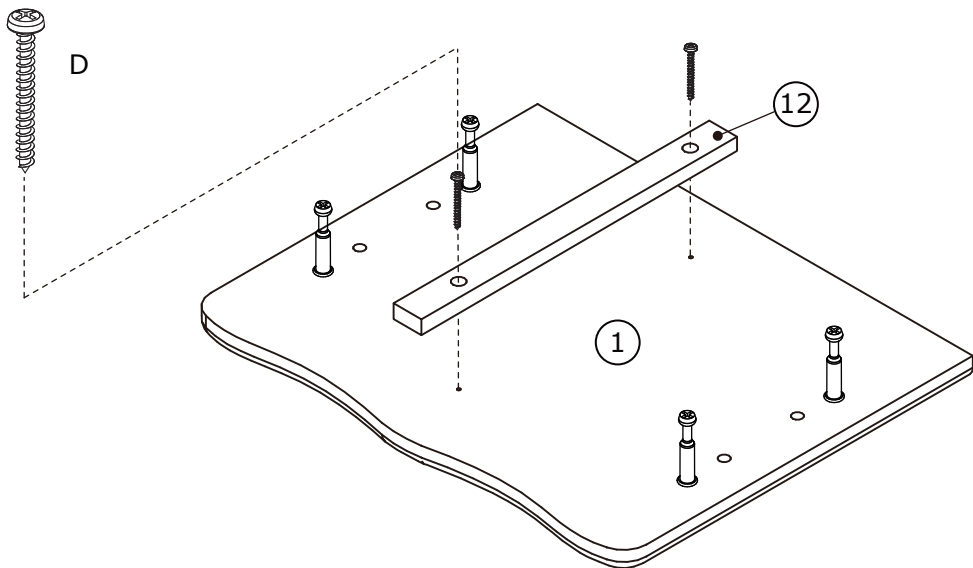
7

<p>C x 4  Ø6x35mm</p>	
--	---



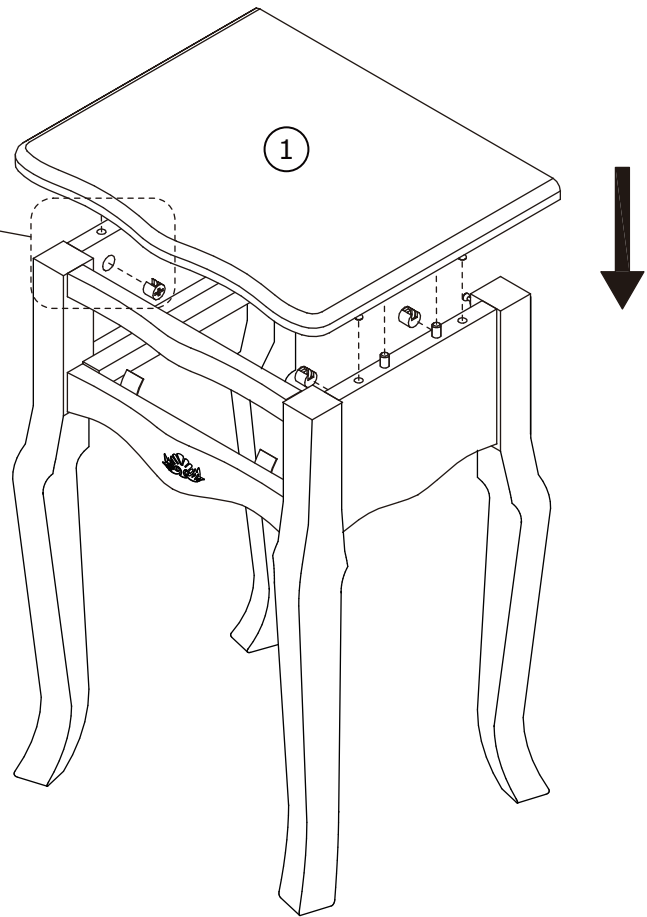
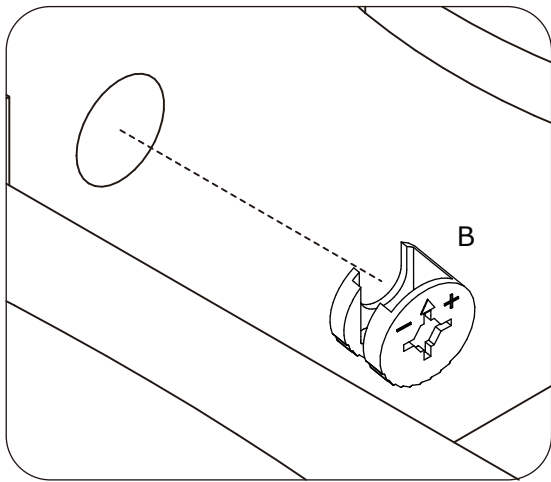
8

<p>D x 2  Ø4x35mm</p>	
--	---


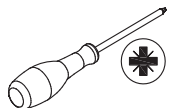


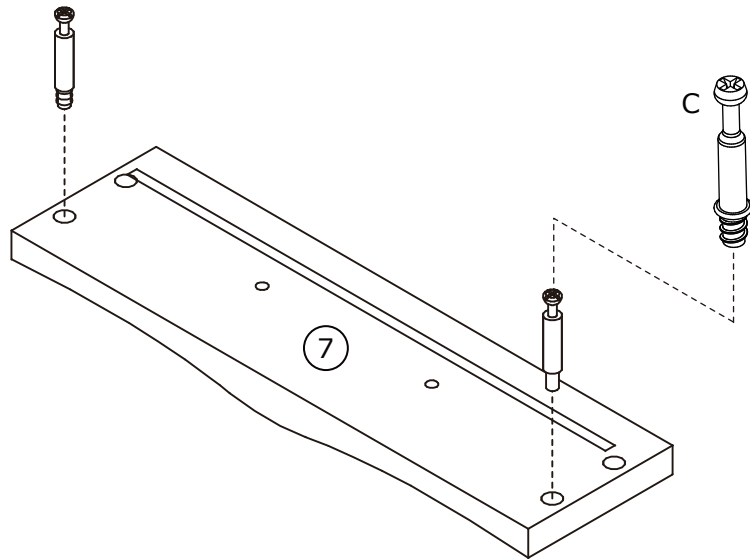
9

<p>B x 4</p>  <p>Ø 15x10mm</p>	
---	---

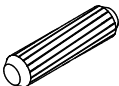
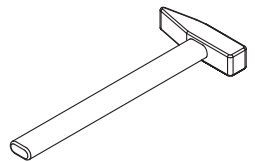


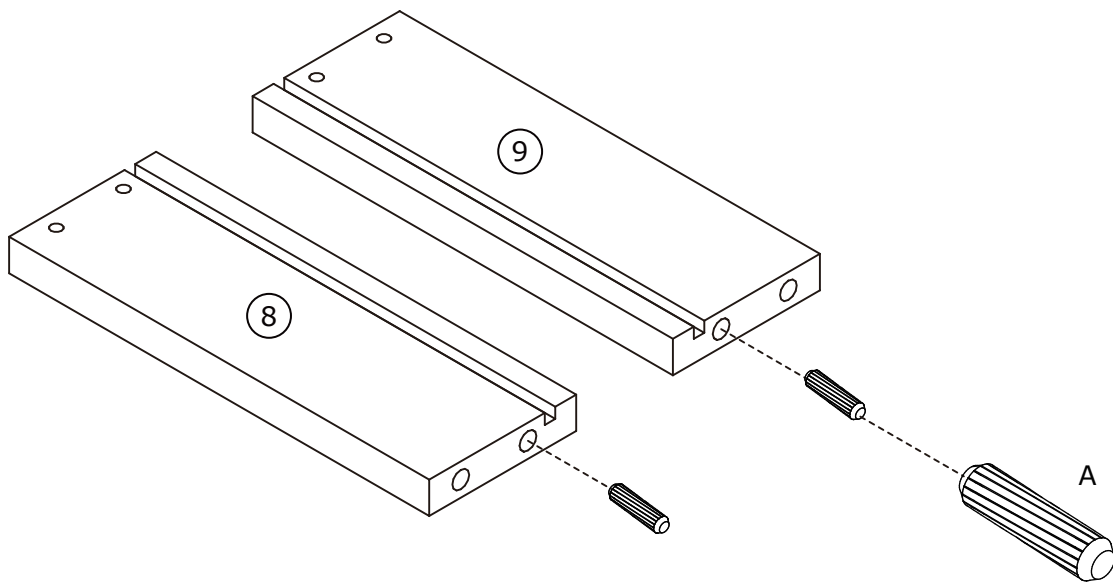
10

<p>C x 2</p>  <p>Ø6x35mm</p>	
---	---



11

<p>A x 2</p>  <p>Ø8x30mm</p>	
---	---

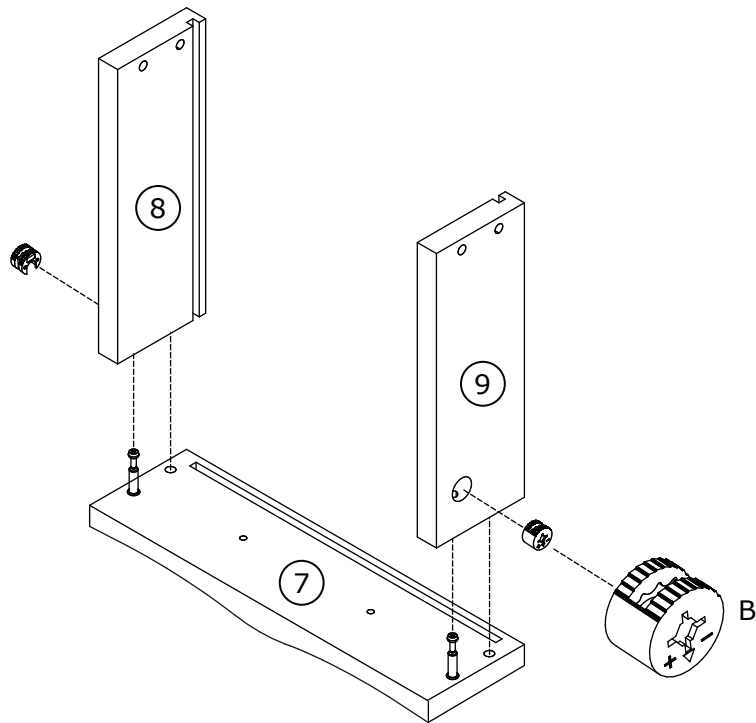
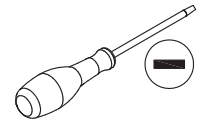


12

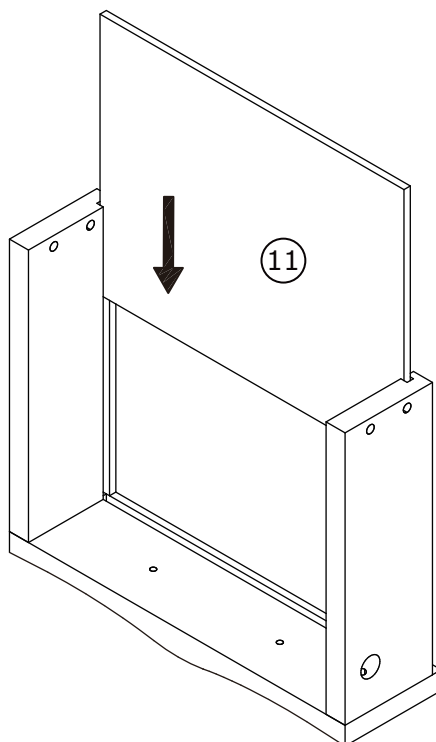
B x 2





Ø15x10mm

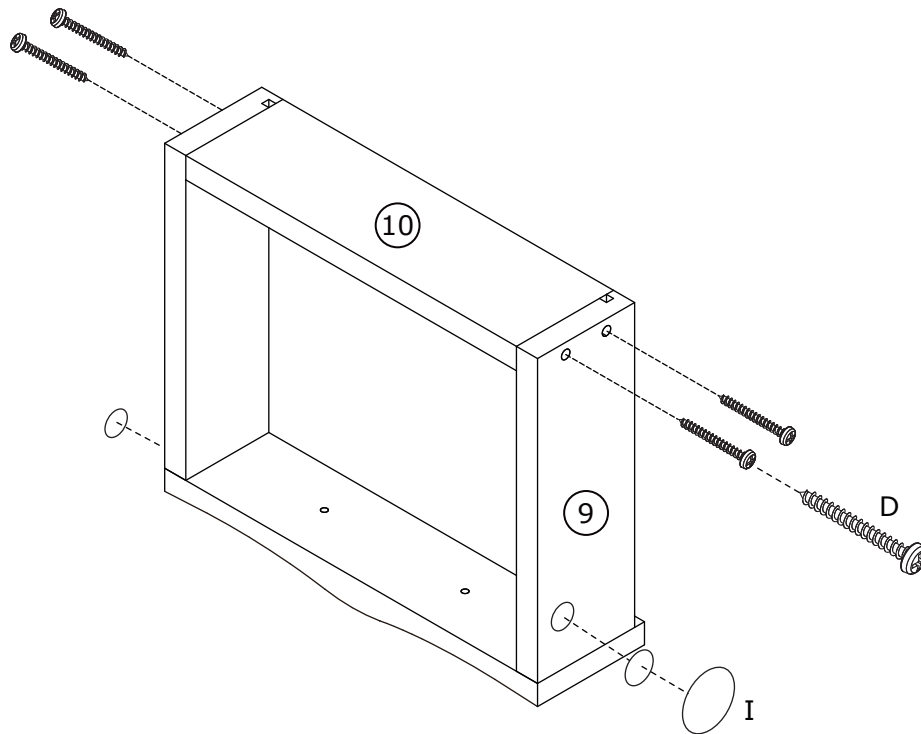


13



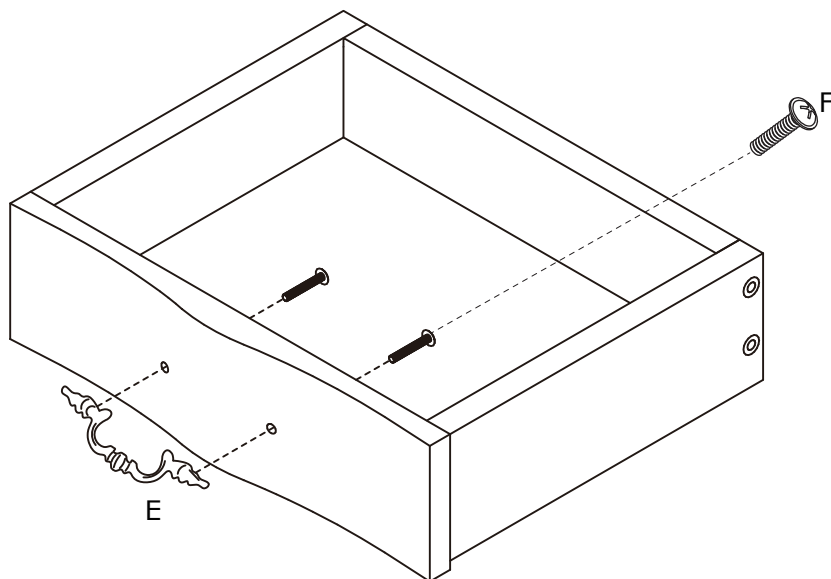
14

D x 4  Ø4x35mm	I x 2  Ø 20mm	
---	--	---

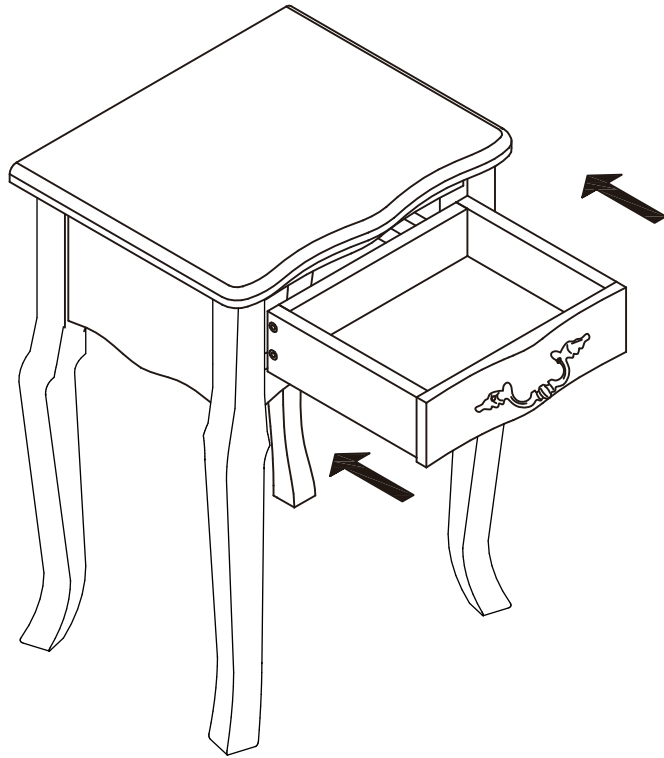


15

E x 1  130x28mm	F x 2  M4x16mm	
--	---	---



16



17

