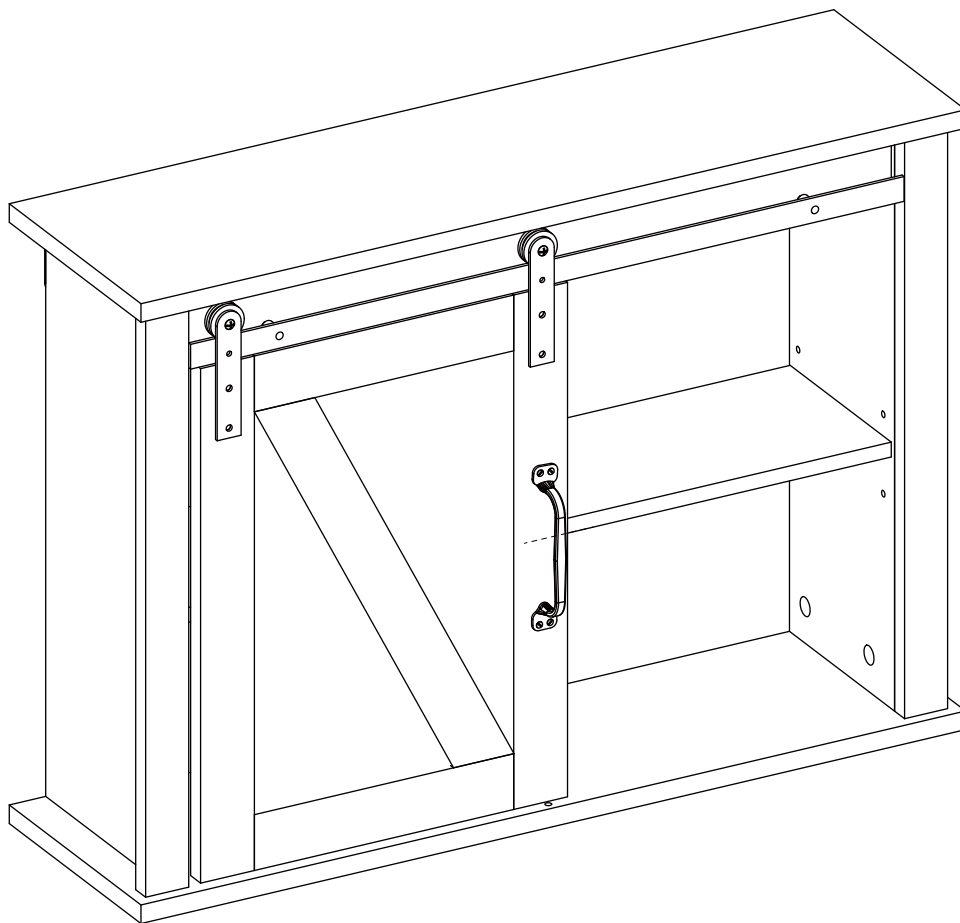
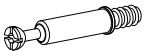



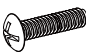




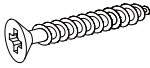


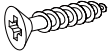
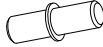

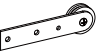

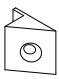
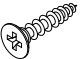
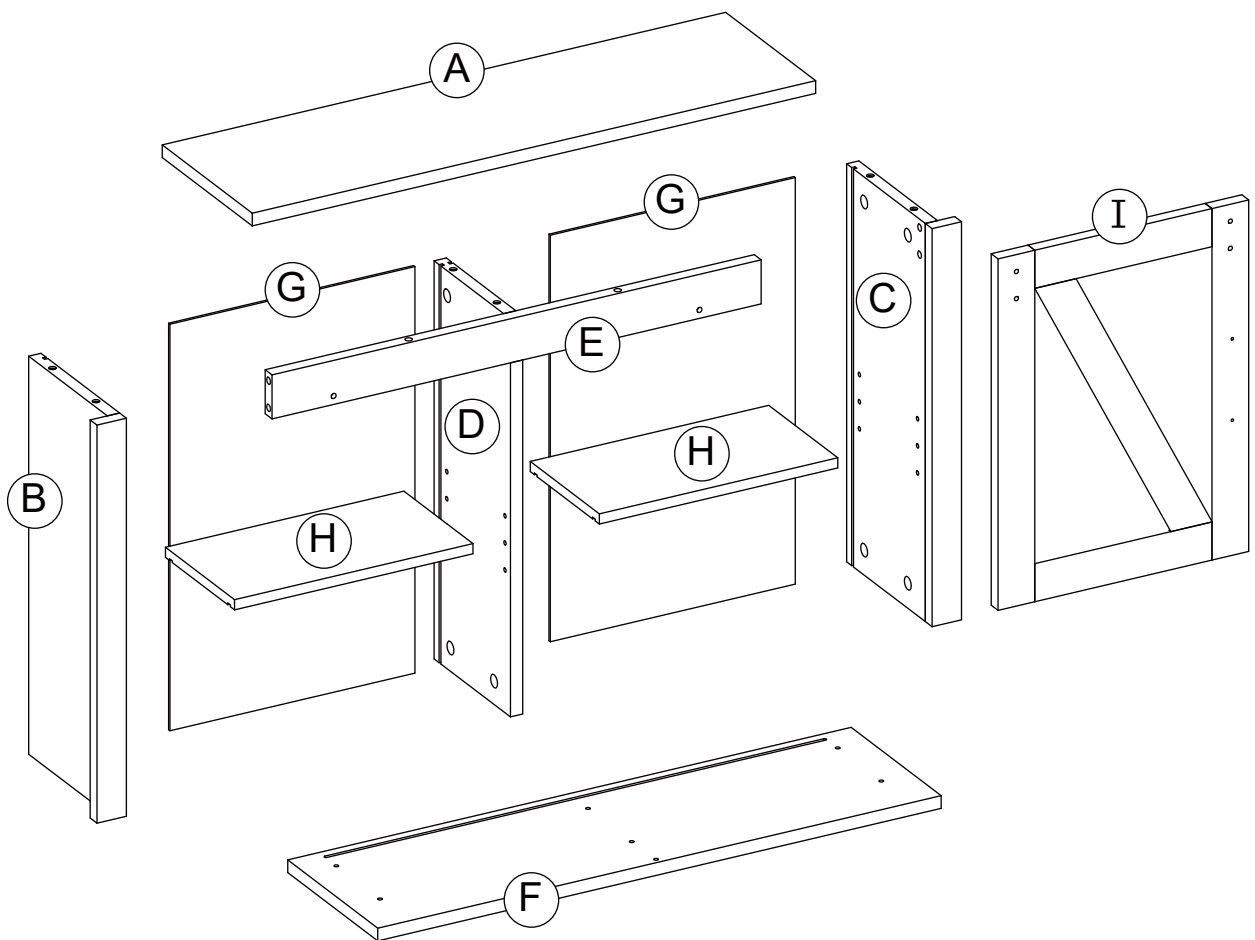


# ASSEMBLY INSTRUCTIONS

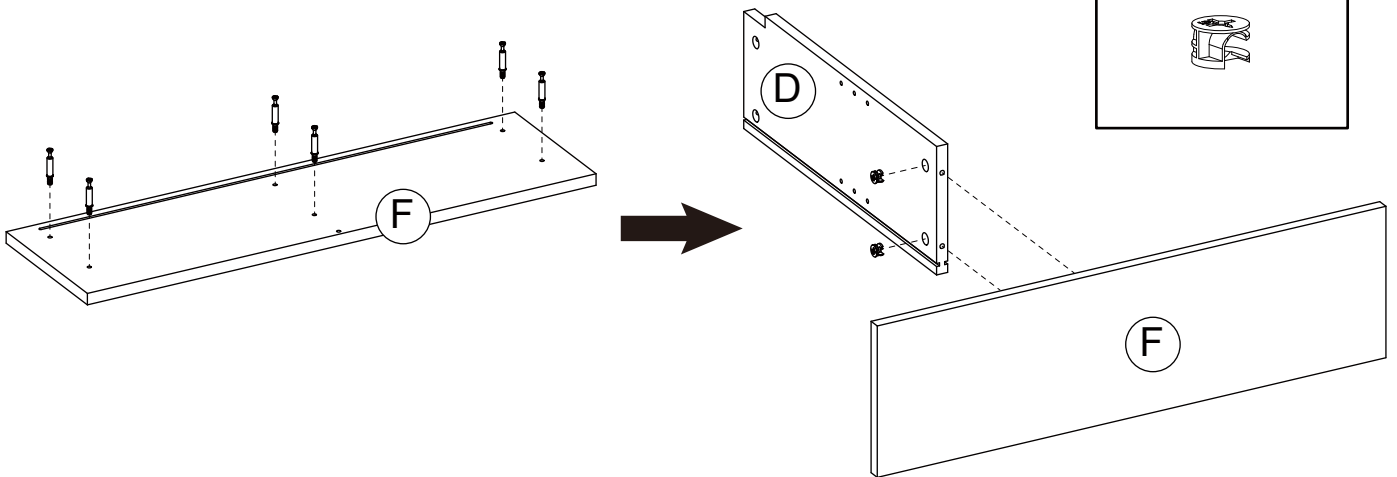
<<Before assembling, read all the instruction>>



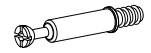
|   |   |   |   |   |   |
|---|---|---|---|---|---|
| ①×12  | ②×12  | ③×6   | ④×2   | ⑤×2   | ⑥×1   |
|  |  |  |  |  |  |
| ⑦×4   | ⑧×2   | ⑨×8   | ⑩×2   | ⑪×2   | ⑫×2   |
|  |  |  |  |  |  |
| ⑬×6   | ⑭×1   | ⑮×1   | ⑯×2   | ⑰×1   | ⑱×12  |
|  |  |  |  |  |  |
| ⑲×12  |   |   |   |   |   |
|  |   |   |   |   |   |



1



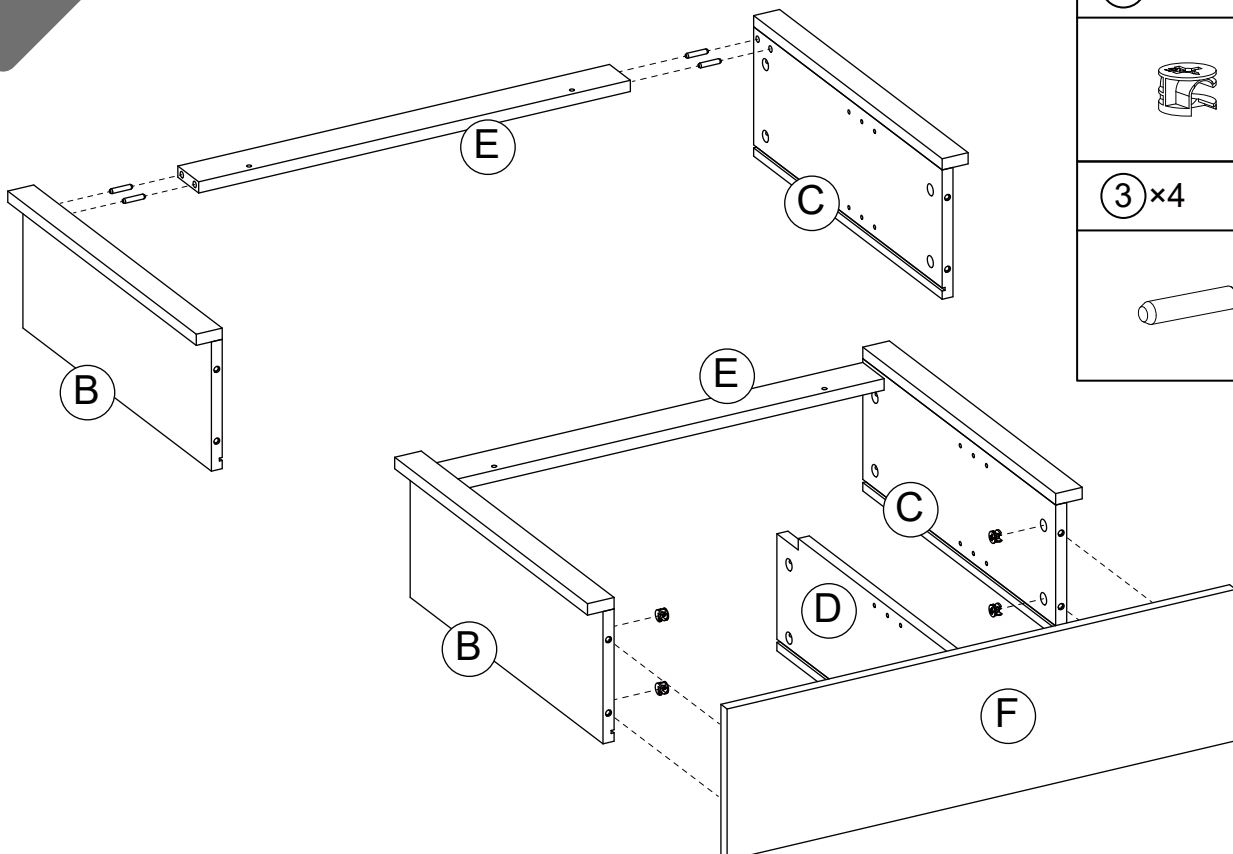
①×6



②×2



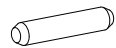
2



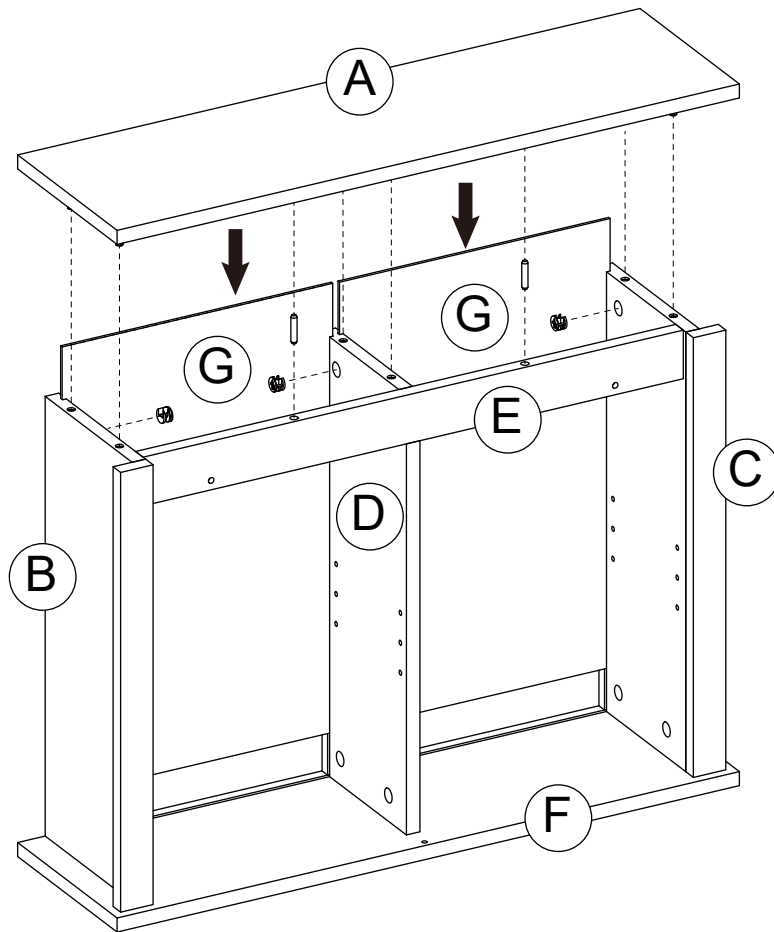
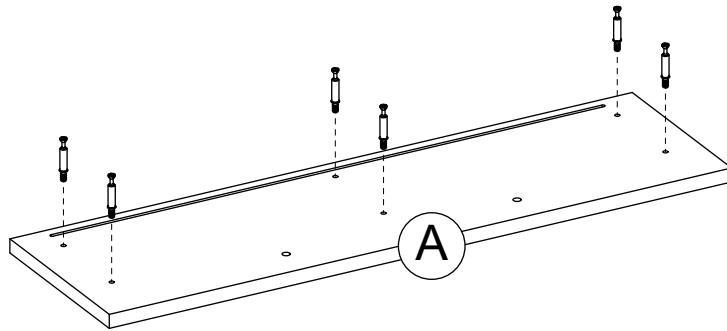
②×4

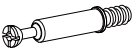




③×4



3



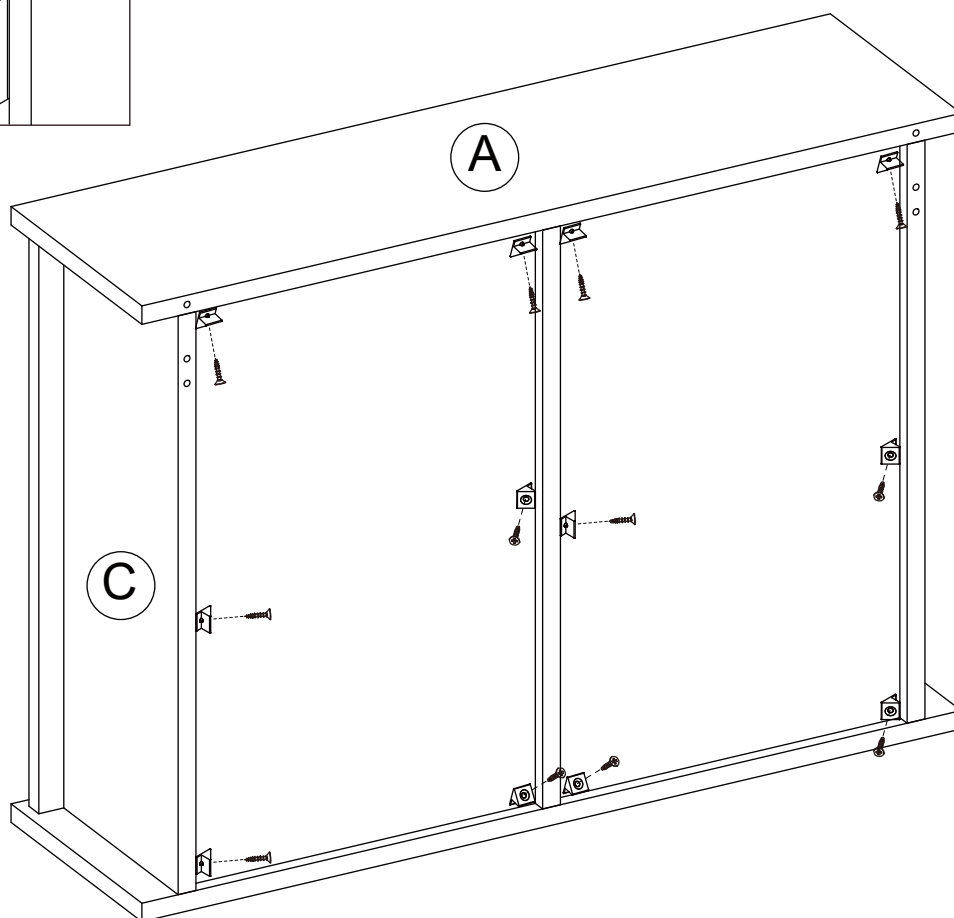
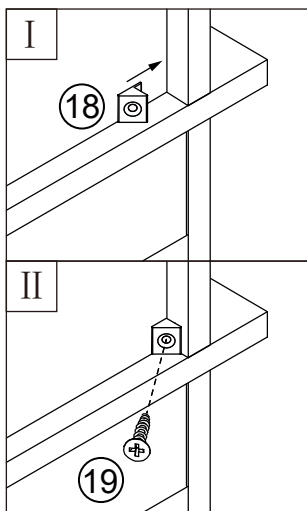
|   |
|---|
| ①×6   |
|  |
| ②×6   |
|  |
| ③×2   |
|  |

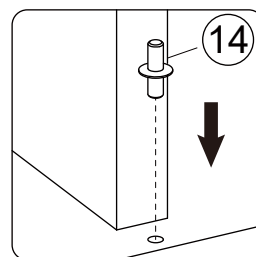
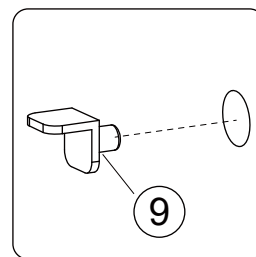
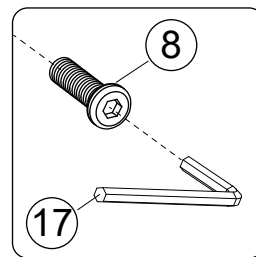
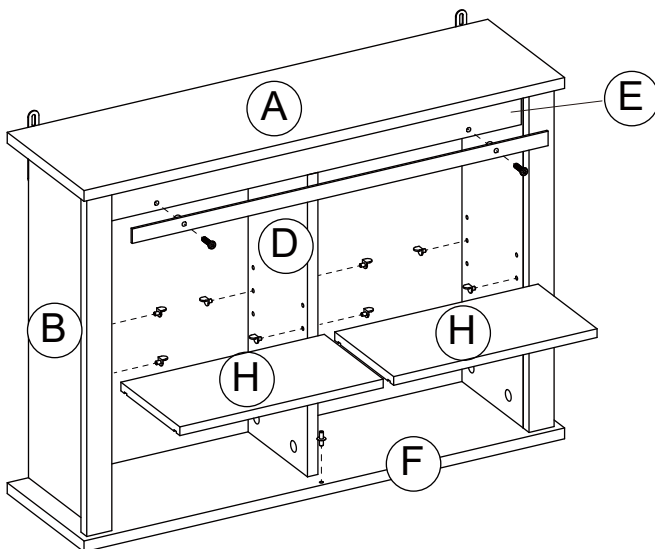
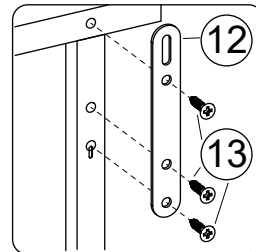
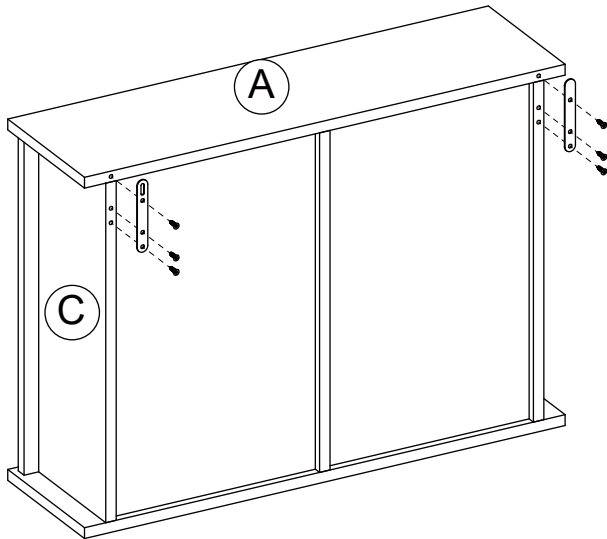
4





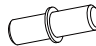


18×12



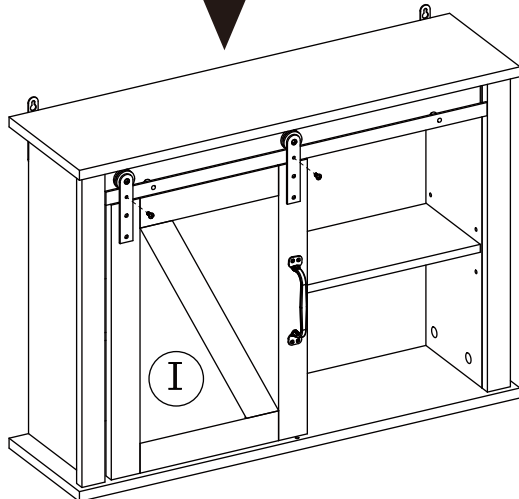
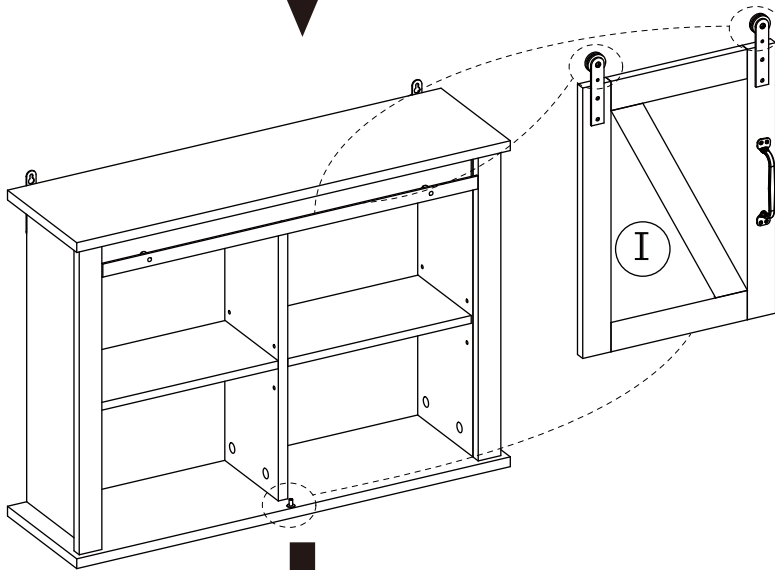
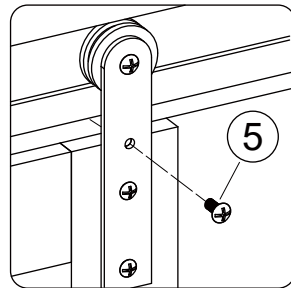
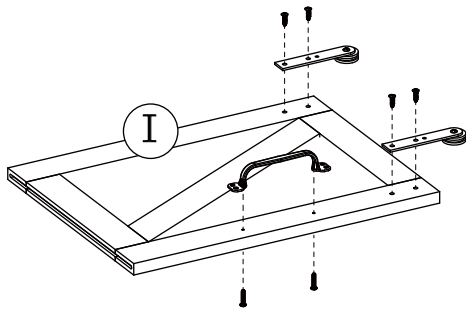
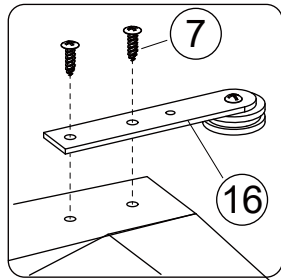
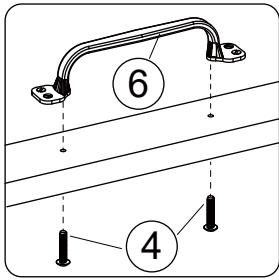
19×12



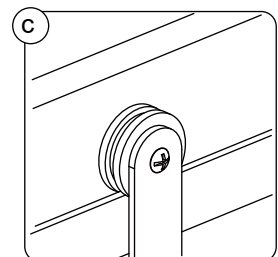
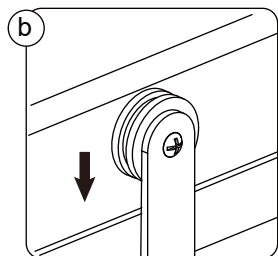
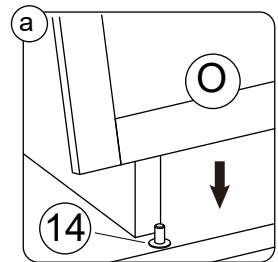


- (8)×2  

- (9)×8  

- (12)×2  

- (13)×6  

- (14)×1  

- (15)×1  

- (17)×1  


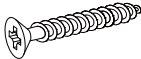

6



- (4) × 2
- (5) × 2
- (6) × 1
- (7) × 4
- (16) × 2



7

|   |
|---|
| ⑩×2   |
|  |
| ⑪×2   |
|  |

