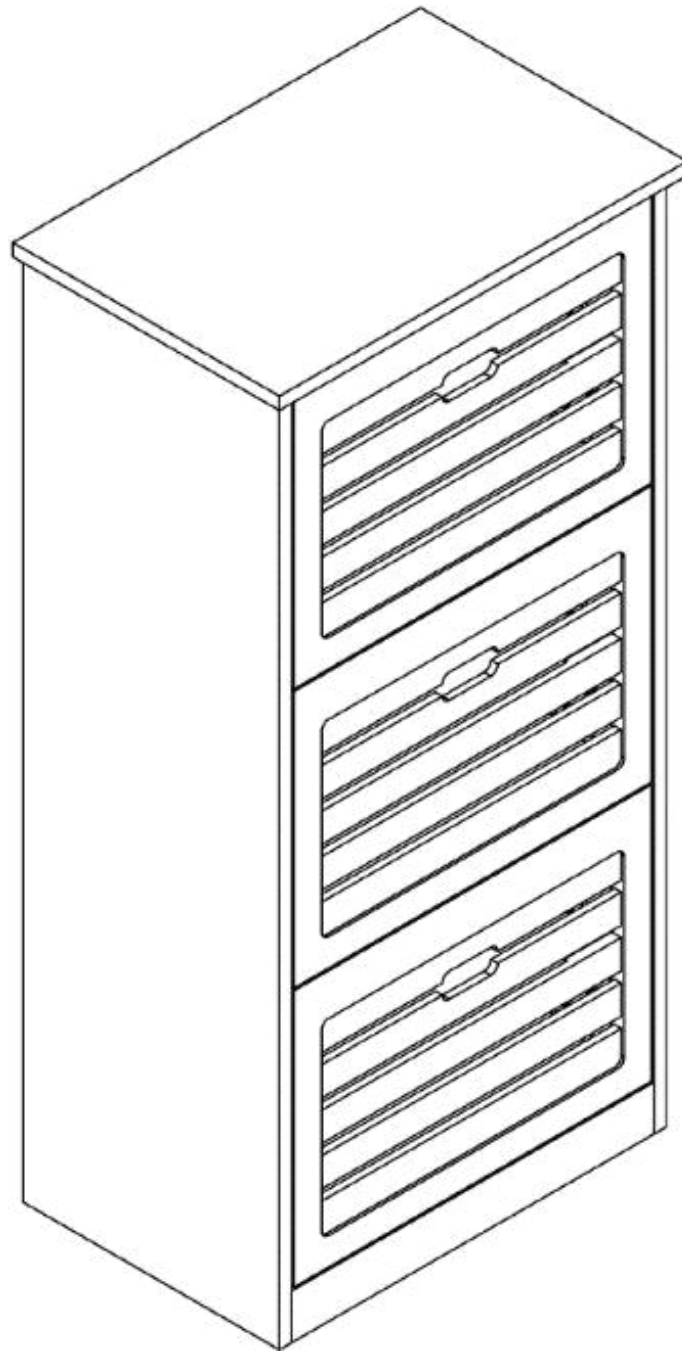
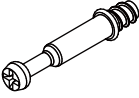










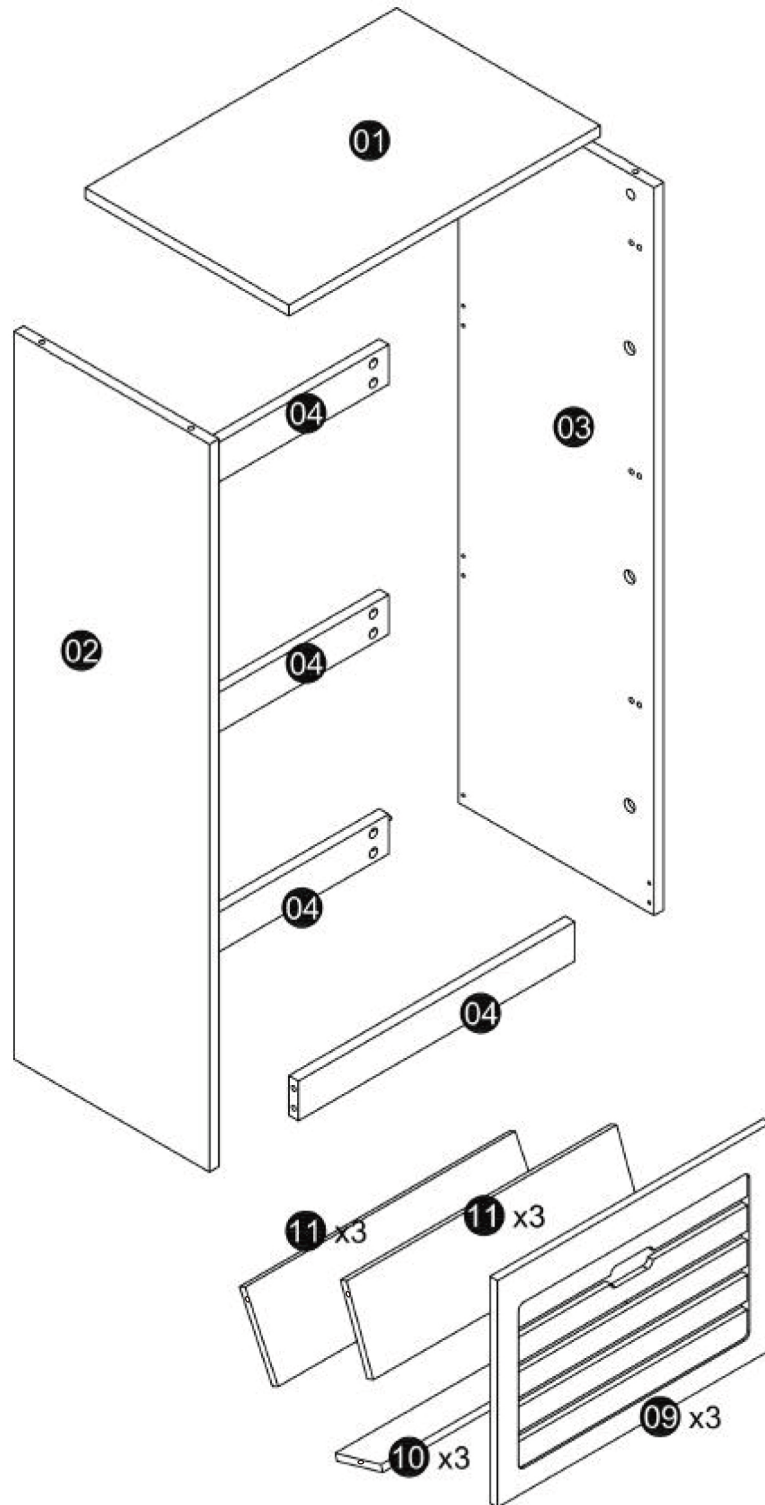


# ASSEMBLY INSTRUCTIONS

<<Before assembling, read all the instruction>>



<p>A x20</p>  <p>Ø6x35 mm</p>	<p>B x20</p> 	<p>D x6</p> 	<p>E x6</p> 	<p>F x6</p> 	<p>G x4</p> 
<p>H x6</p>  <p>Ø4x12 mm</p>	<p>I x3</p> 	<p>J x3</p> 	<p>K x18</p>  <p>Ø3.5x12 mm</p>	<p>L x12</p>  <p>Ø3x12 mm</p>	

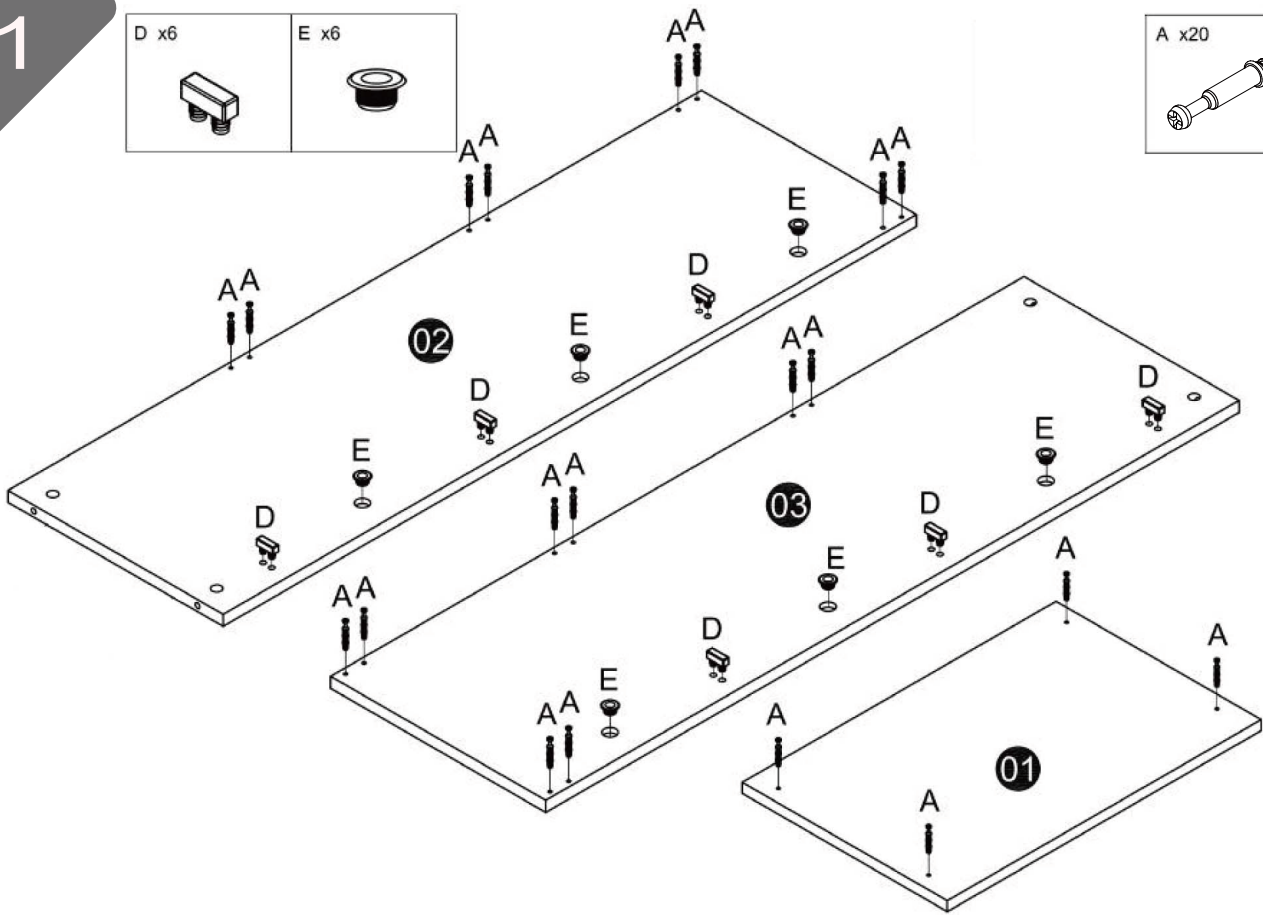


1

D x6

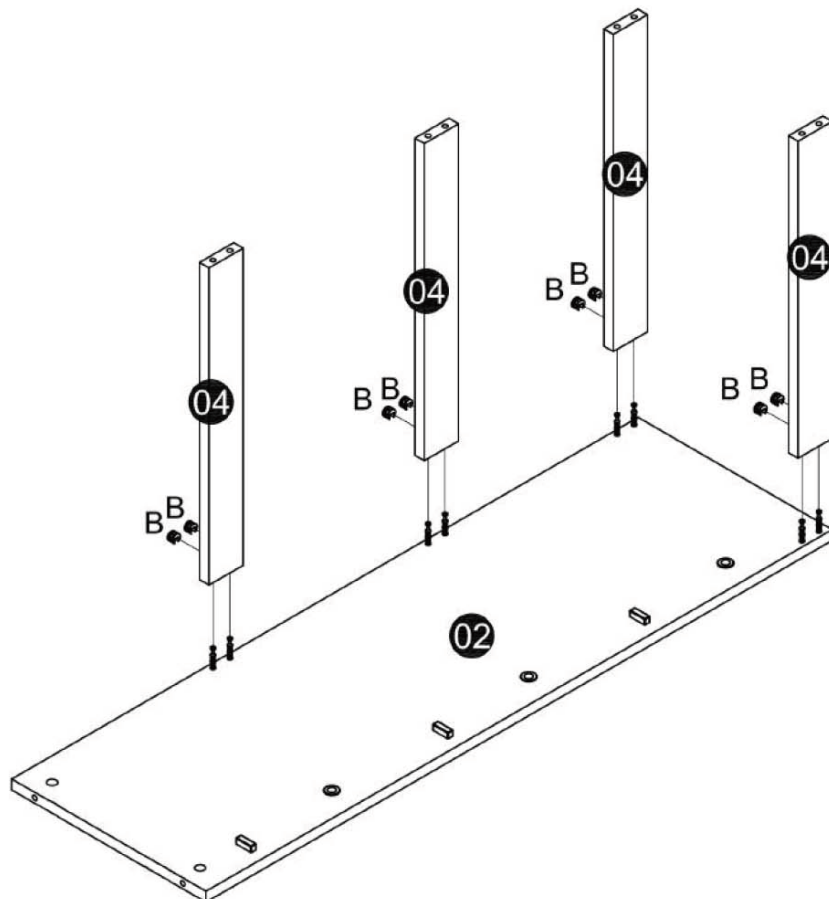
E x6

A x20

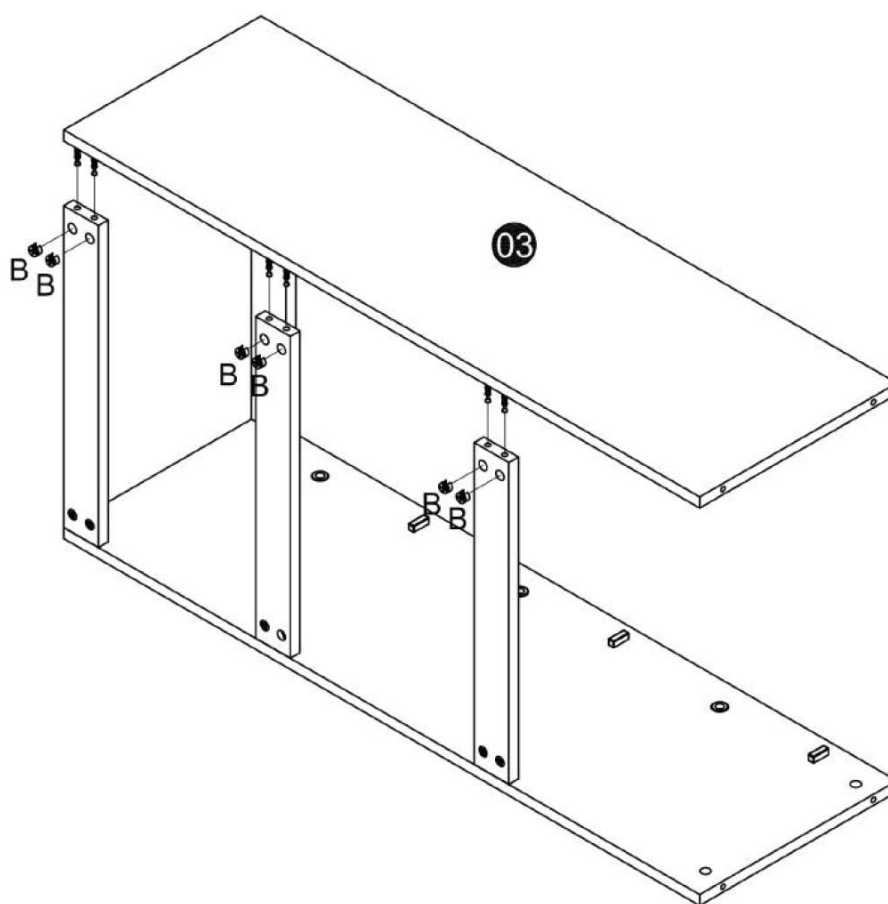


2

B x8



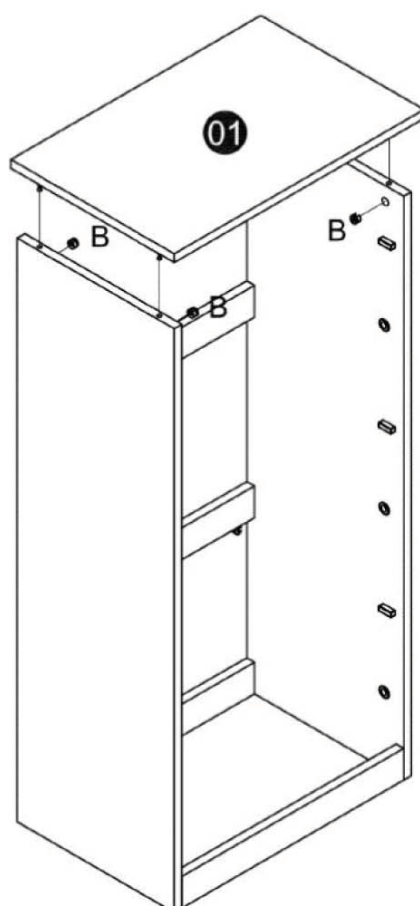
3



B x8



4

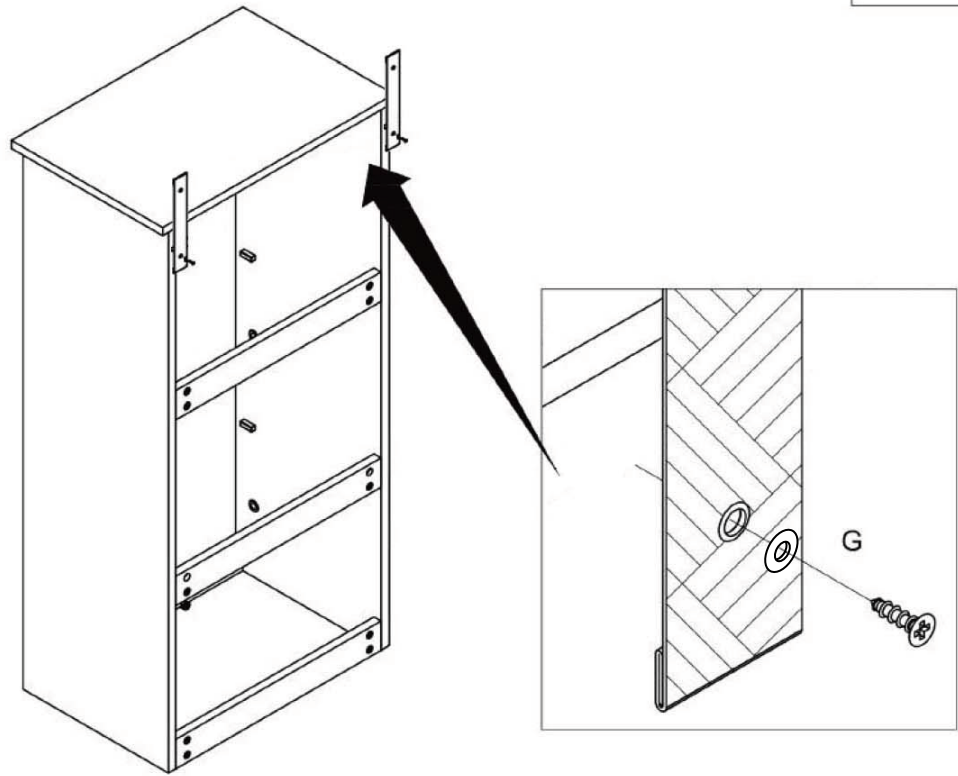
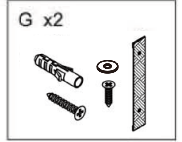


B x4

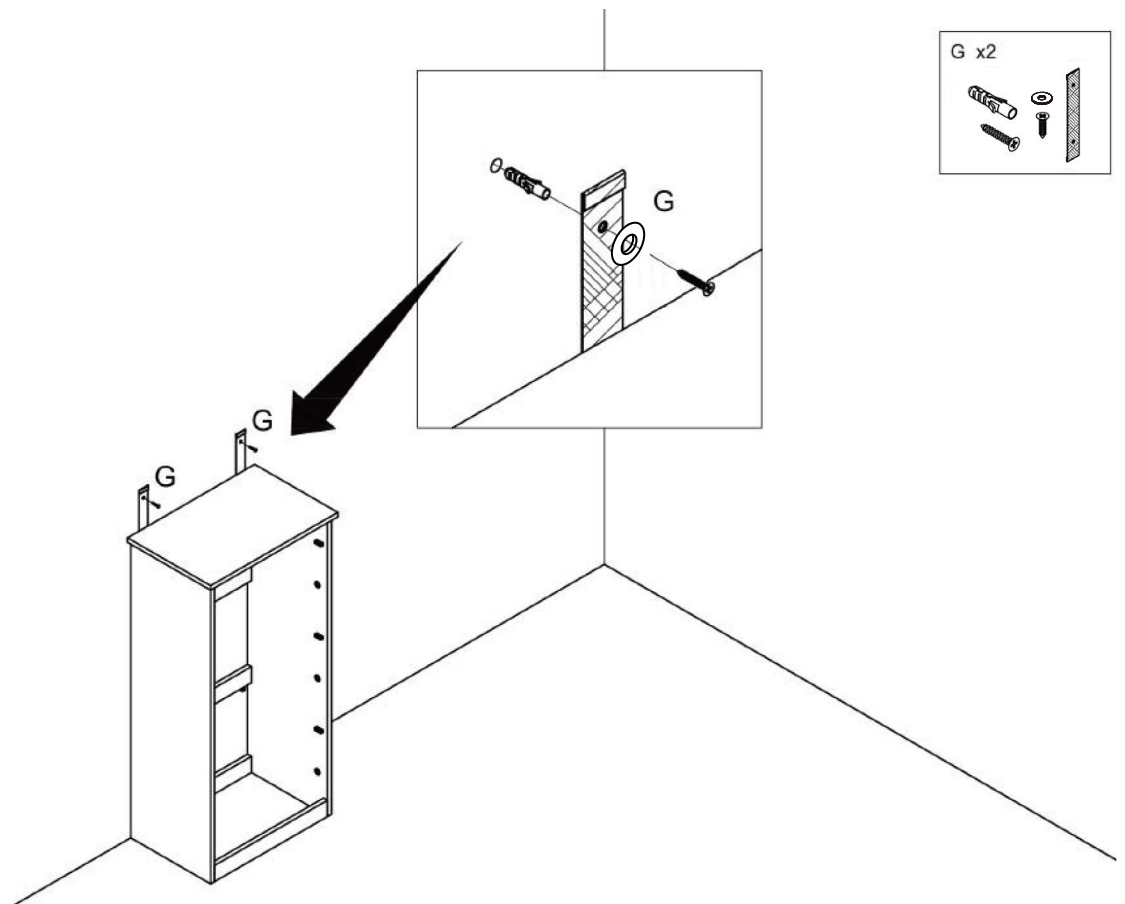
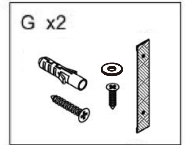







5

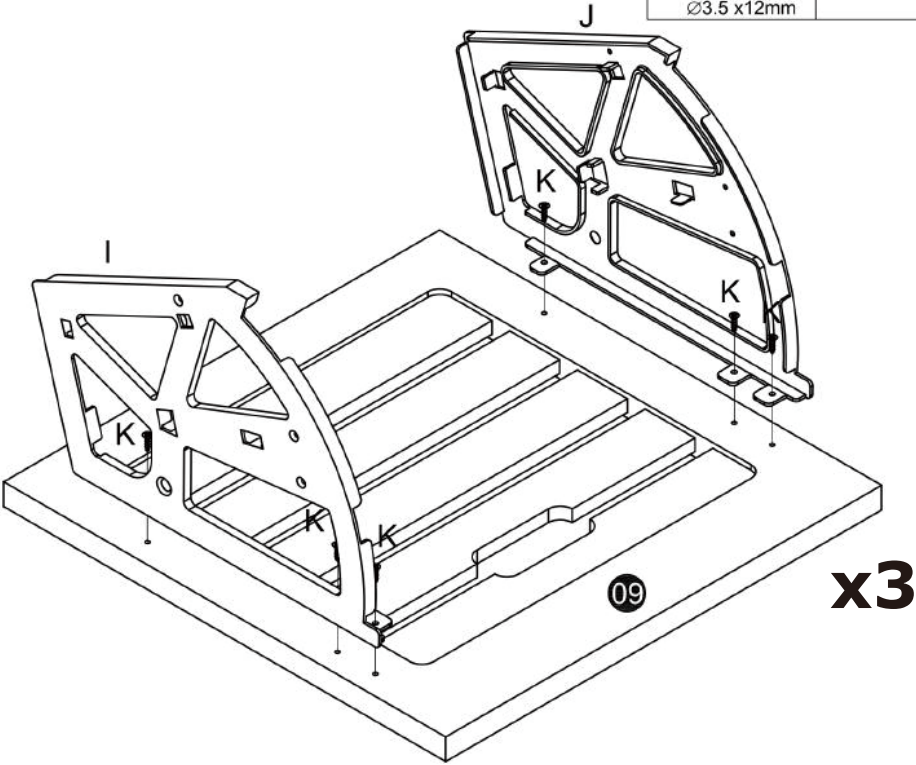


6



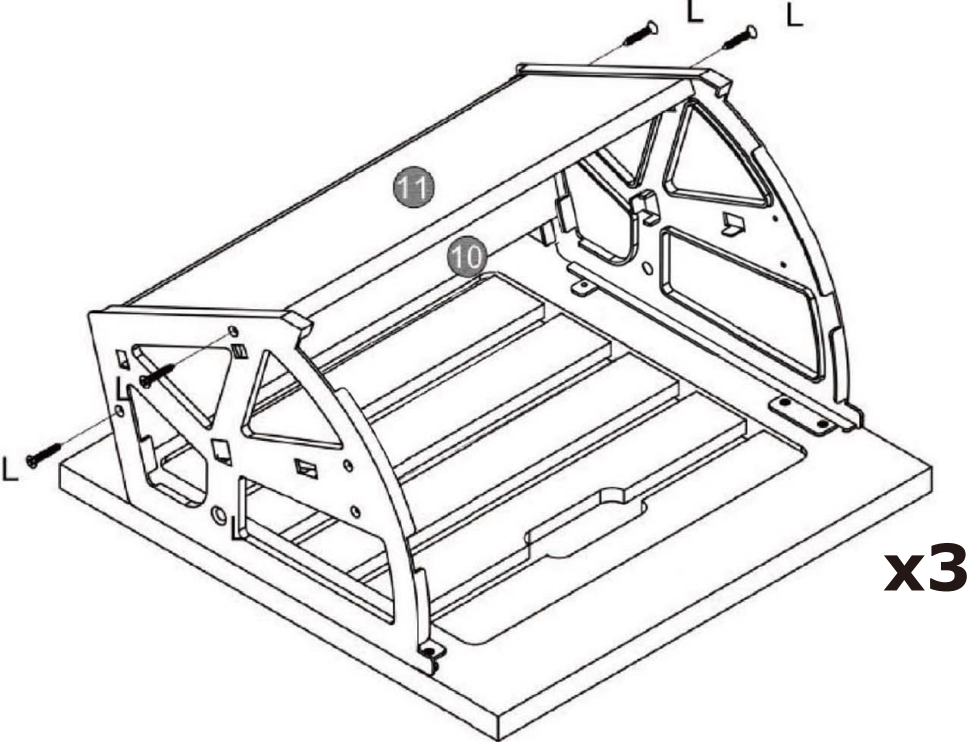
7

K x18  Ø3.5 x12mm	I x3 	J x3 
--	---	---

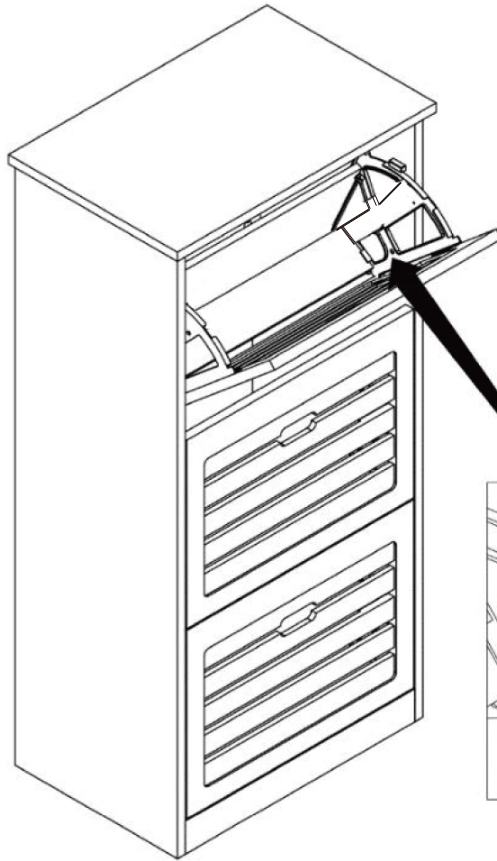
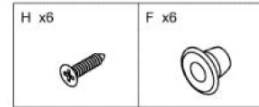


8

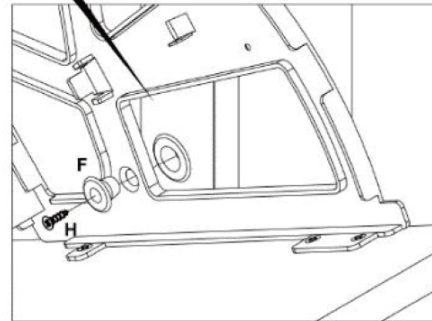
L x12  Ø3x12mm
---



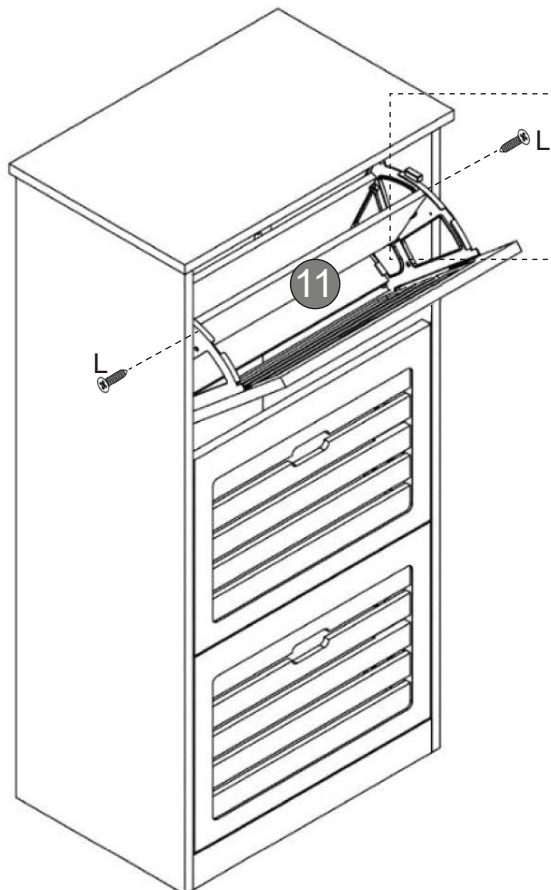
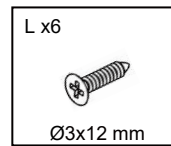
9



**x3**



10



**x3**

