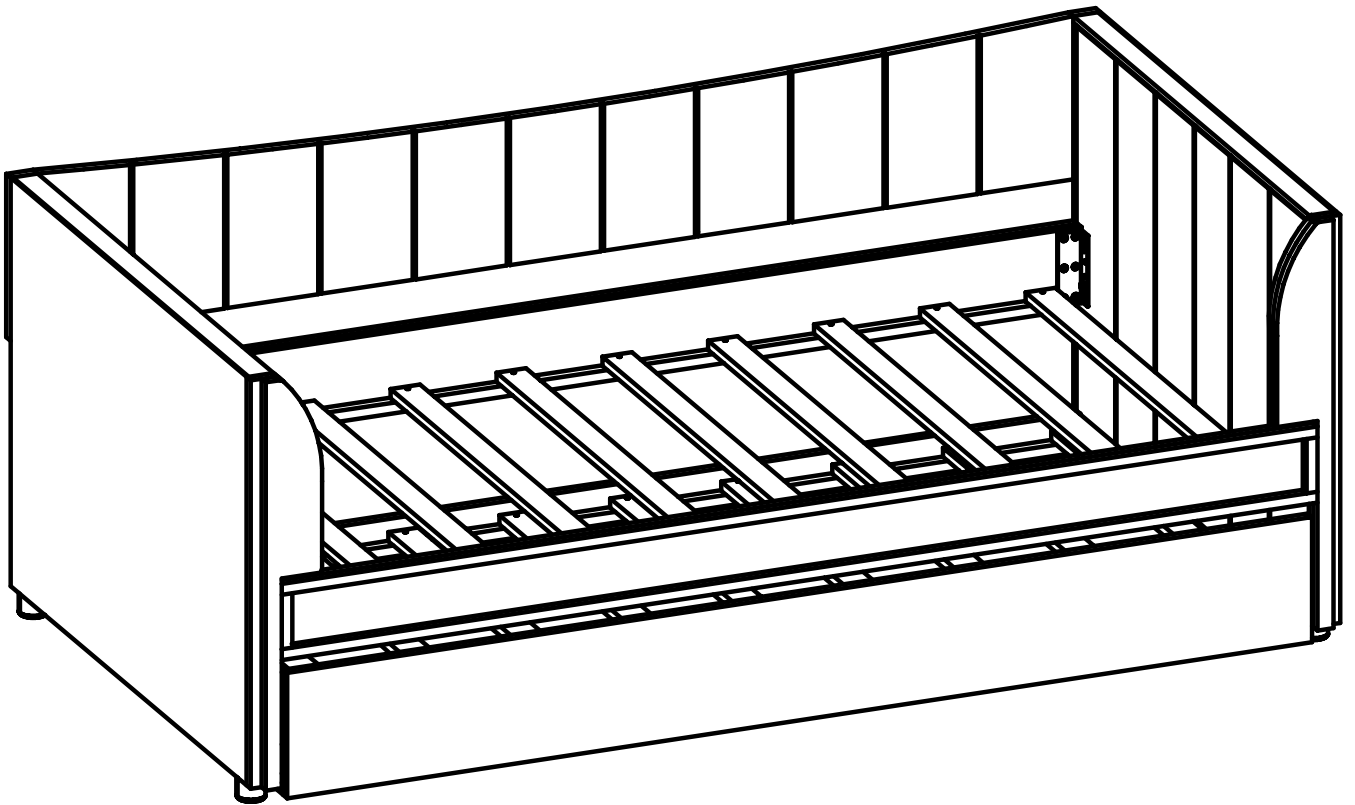
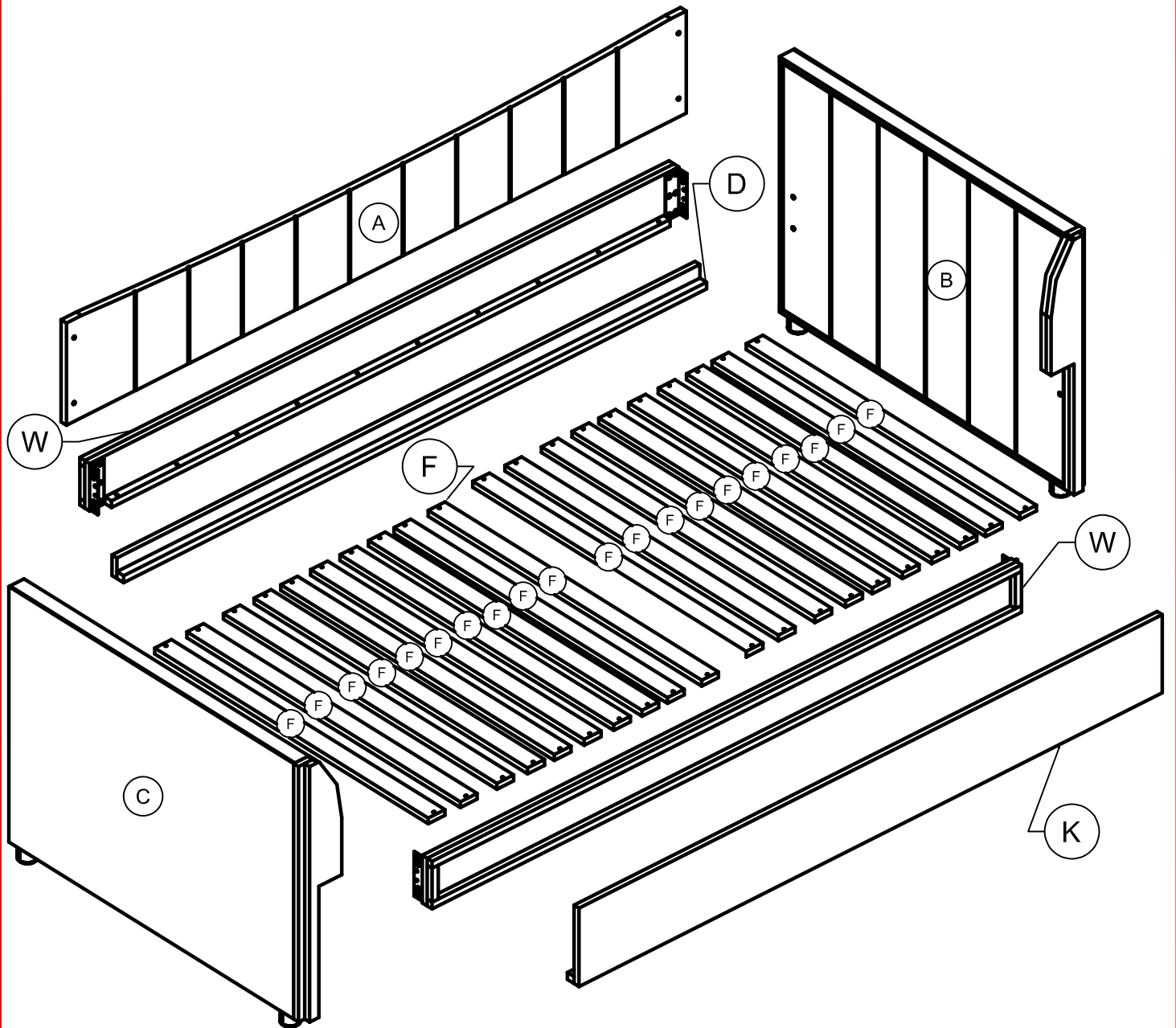


ASSEMBLY INSTRUCTION

SKU CODE: (WF321948/WF321949)

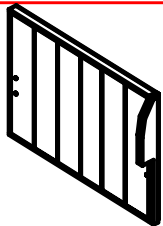


ASSEMBLY INSTRUCTION



Part List (WF321948)

B



Side Rails - 1pcs

C




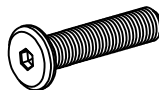

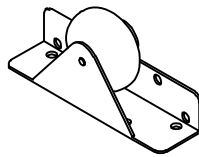
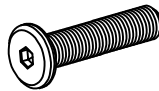




Side Rails - 1pcs

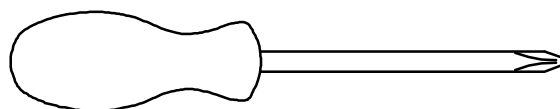
F



Slats - 13pcs

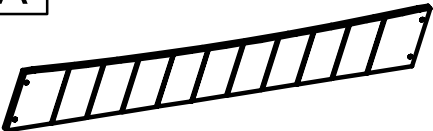




Hardware List (WF321949)

<p>1</p>  <p>Plastic Feet(Ø50x40) 4pcs</p>	<p>2</p>  <p>1/4" x 50mm Hex-Head bolts 4pcs</p>	<p>3</p>  <p>M4 x 15 mm Wood Screws 22pcs</p>
<p>4</p>  <p>Wheels 4psc</p>	<p>5</p>  <p>1/4" x 25mm Hex-Head bolts 8pcs</p>	<p>6</p>  <p>M4 x 30 mm Wood Screws 40pcs</p>
<p>7</p>  <p>Steel Bracket 3pcs</p>	<p>8</p>  <p>Allen Key 1pcs</p>	<p>9</p>  <p>Plastic Drawer Stopper 2pcs</p>



Assembly Tools Required (Not Included)

Part List (WF321949)

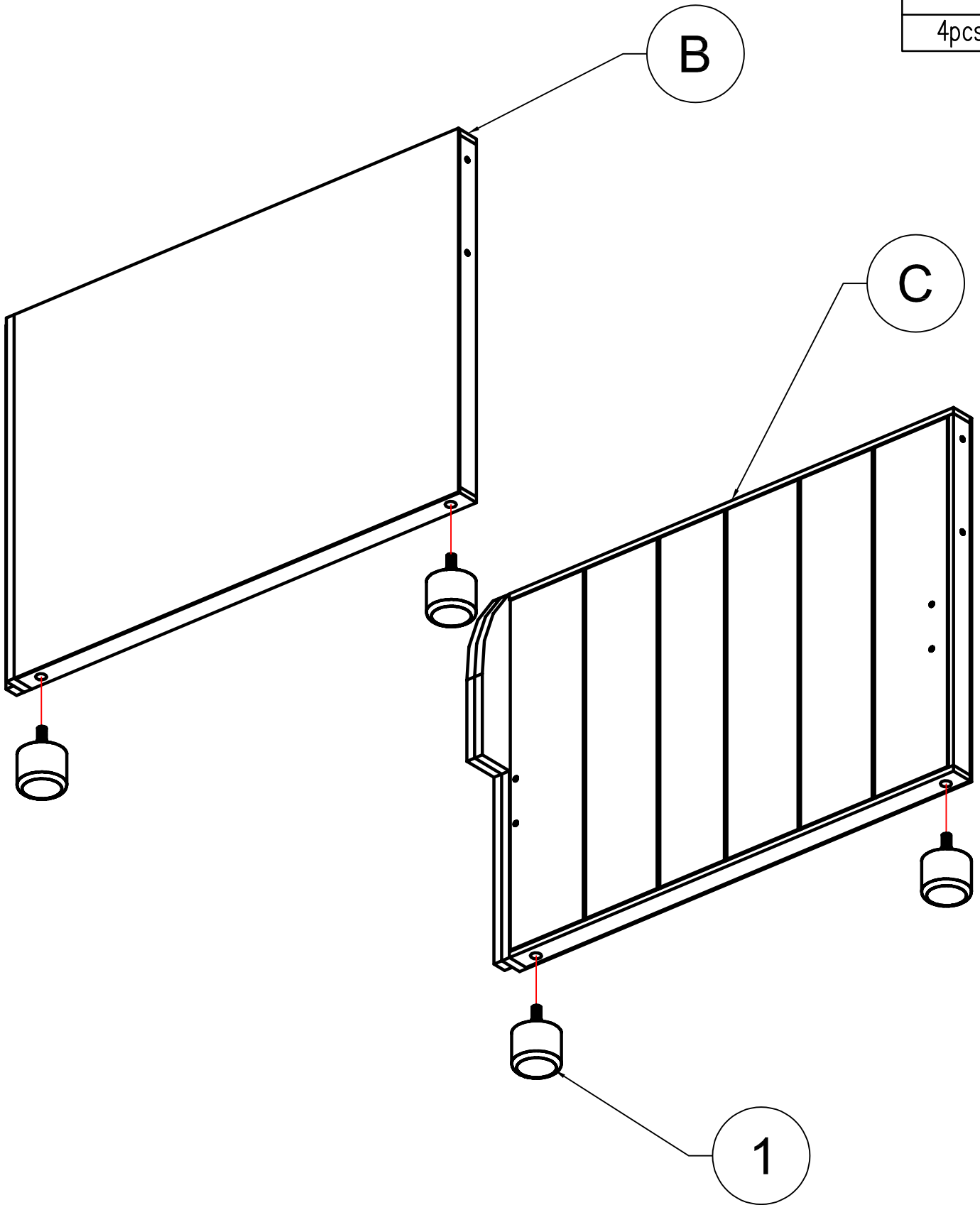
<p>A</p>  <p>Lean Back - 1pcs</p>	<p>W</p>  <p>Side Panel - 2pcs</p>	<p>K</p>  <p>Trundle - Front Panel - 1pcs</p>
	<p>D</p>  <p>Side Panel - 1pcs</p>	<p>F</p>  <p>Slats - 7pcs</p>

STEP 1: Following below illustration:




1

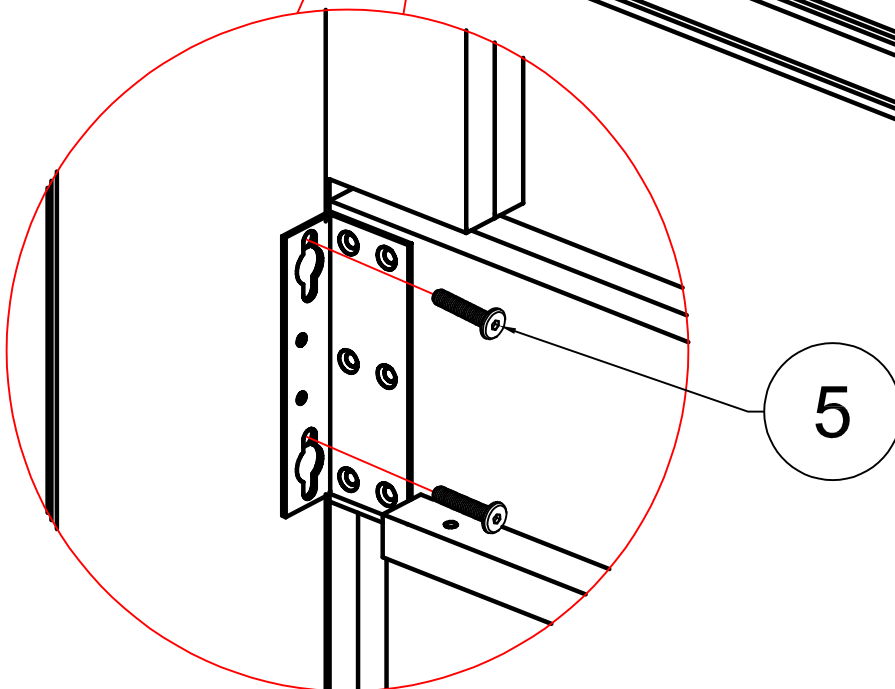
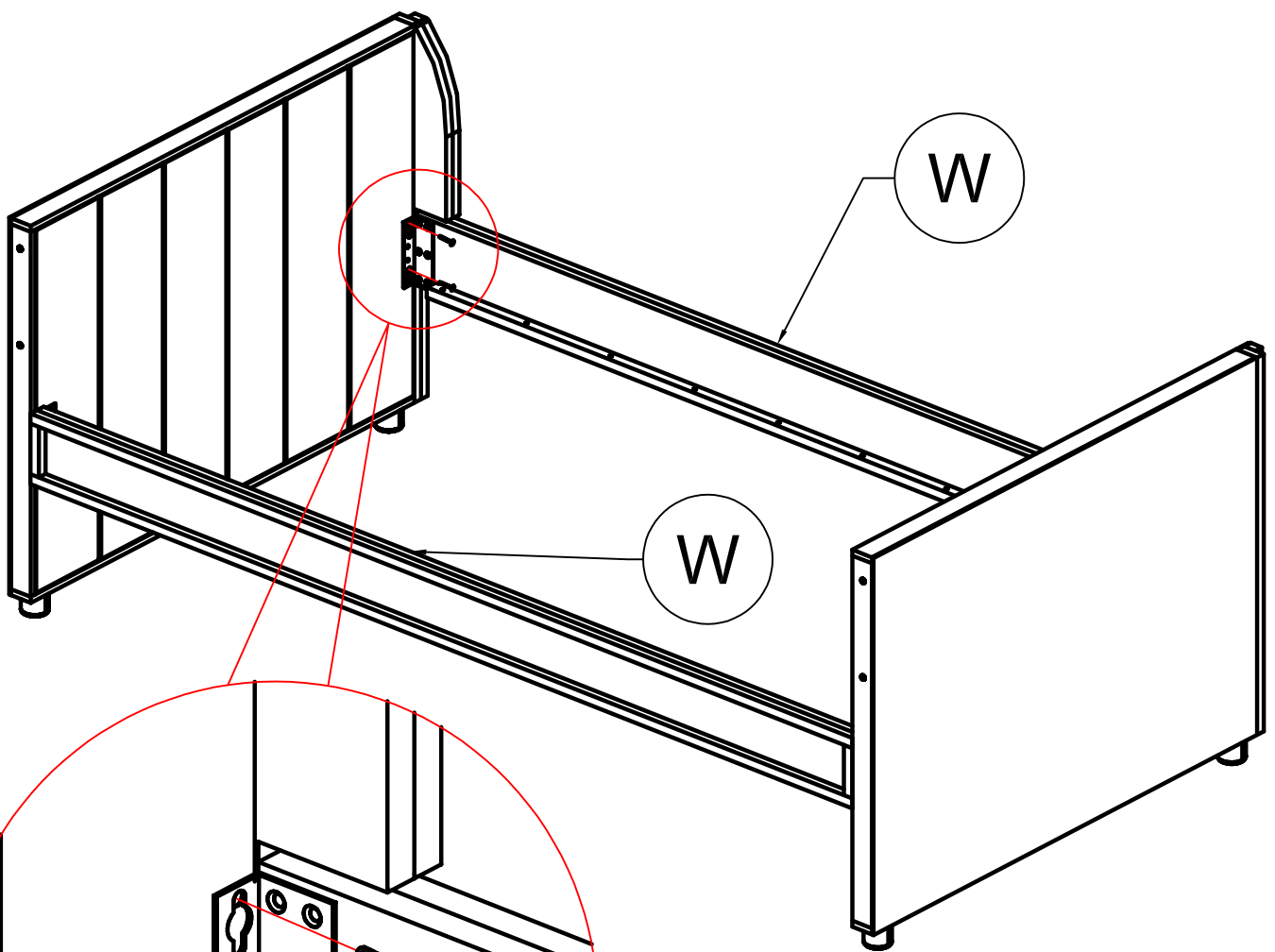
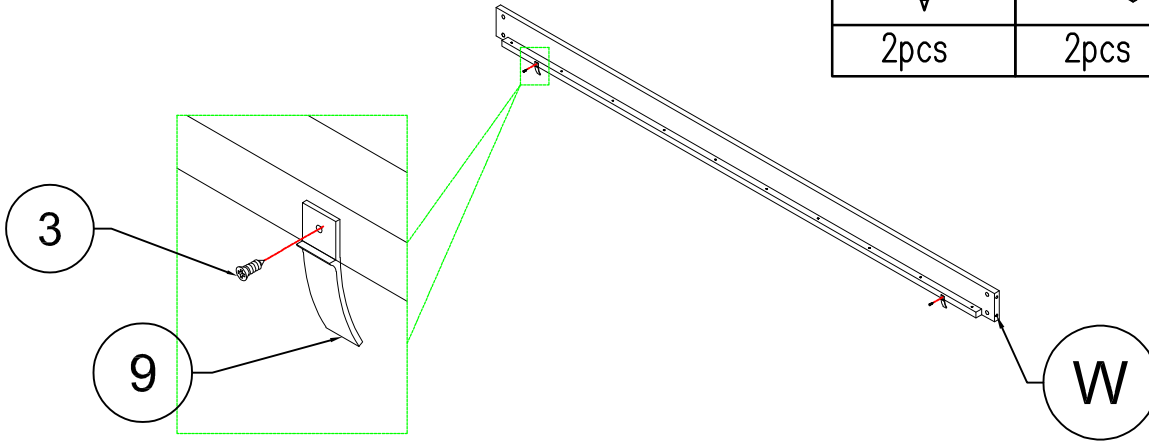


4pcs



STEP 2: Following below illustration:

3	9	5
		
2pcs	2pcs	8pcs

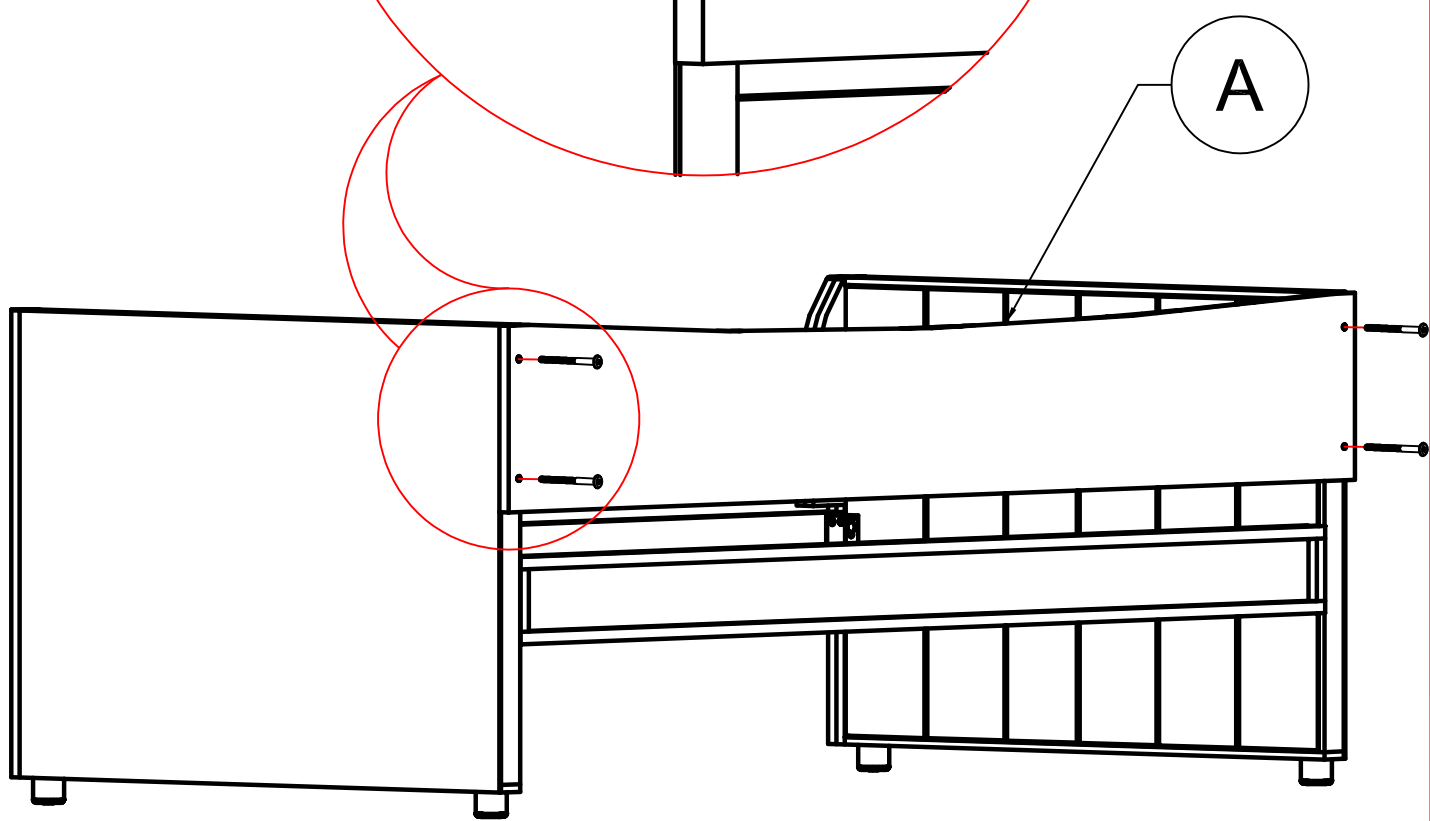
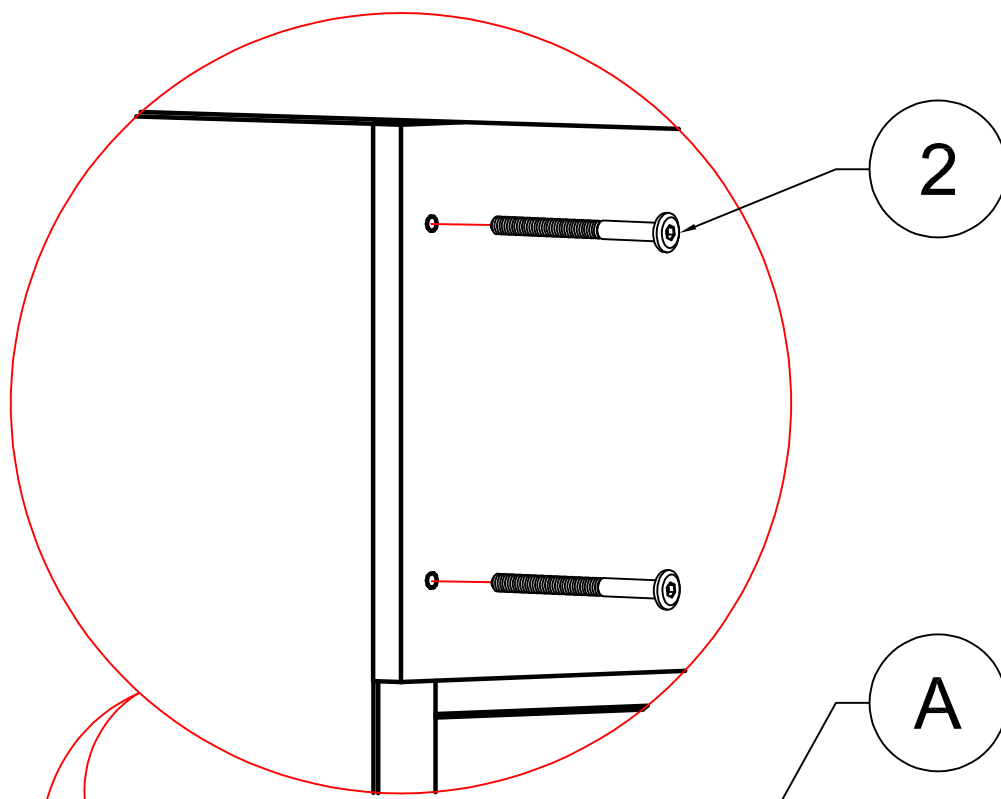


STEP 3: Following below illustration:

2

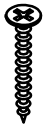


4pcs



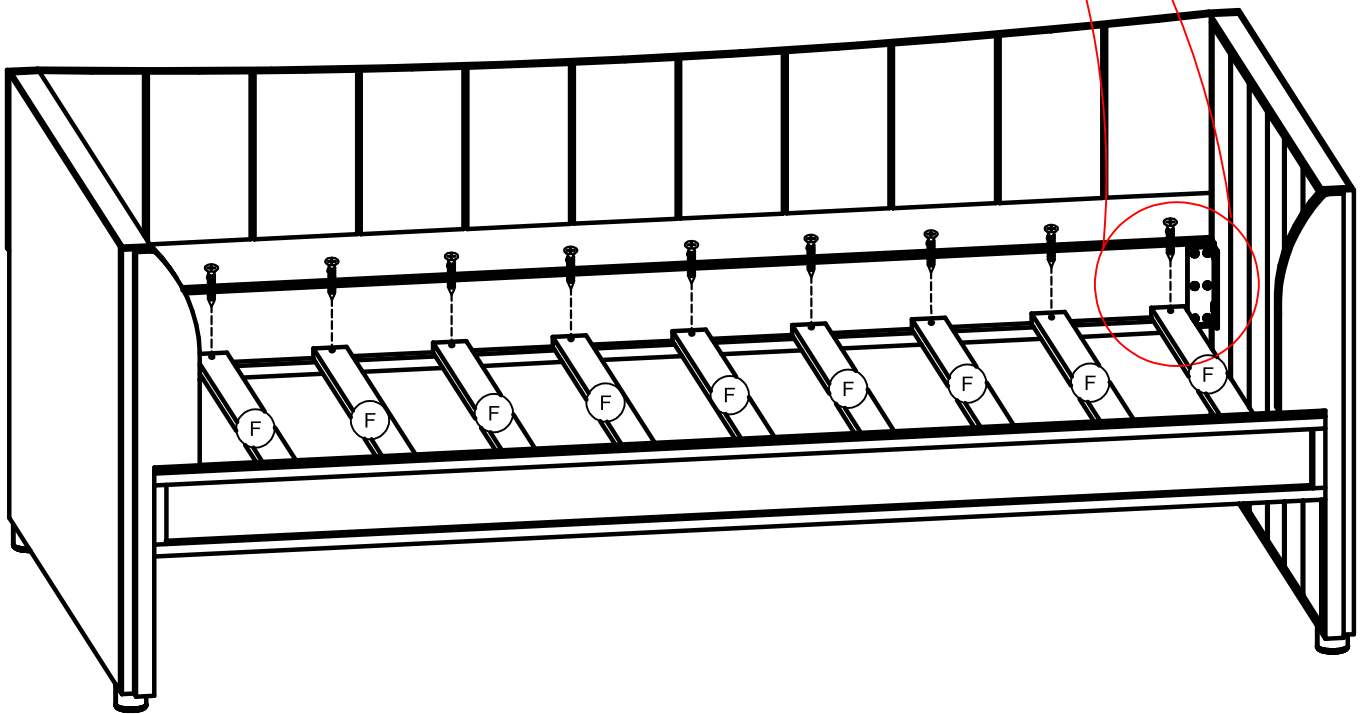
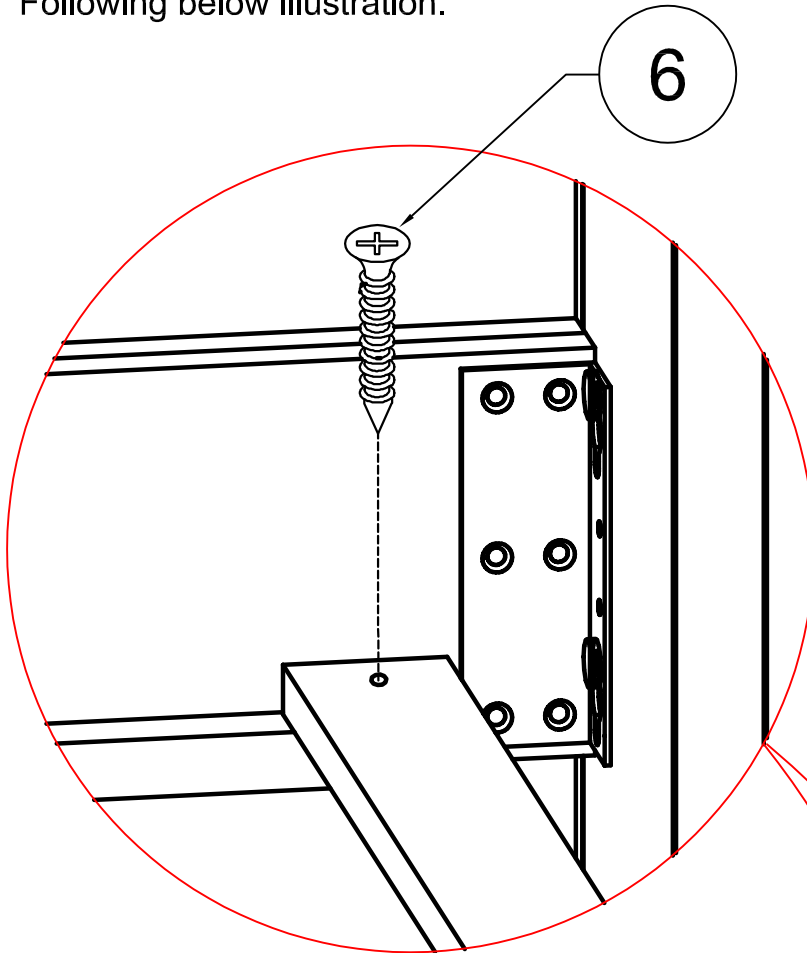
STEP 4: Following below illustration:

6


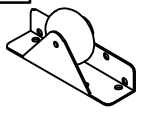


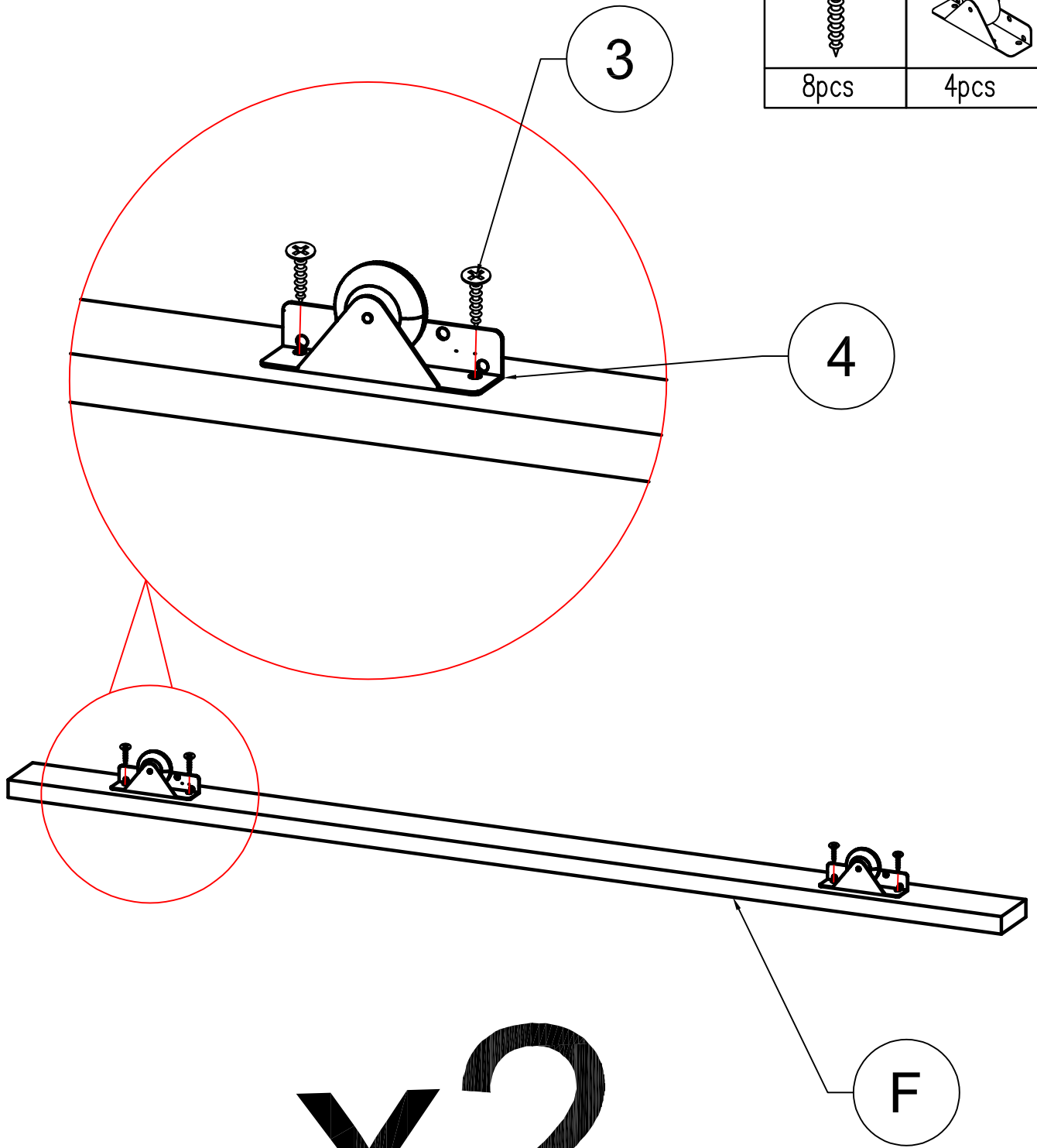
20pcs

6


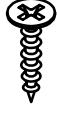



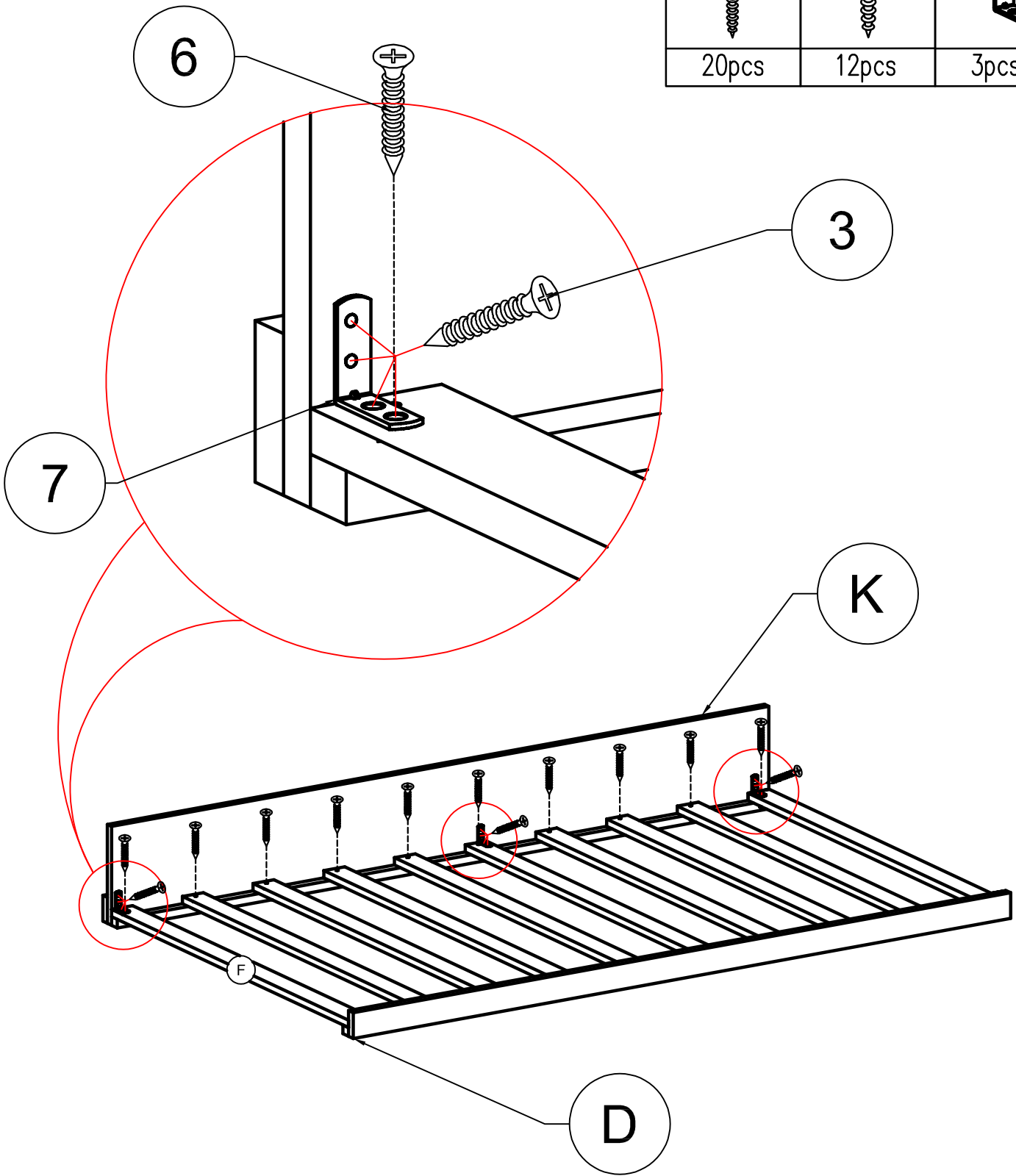
STEP 5: Following below illustration:

3		4	
8pcs		4pcs	



STEP 6: Following below illustration:

6		3		7	
20pcs		12pcs		3pcs	



FINISH

