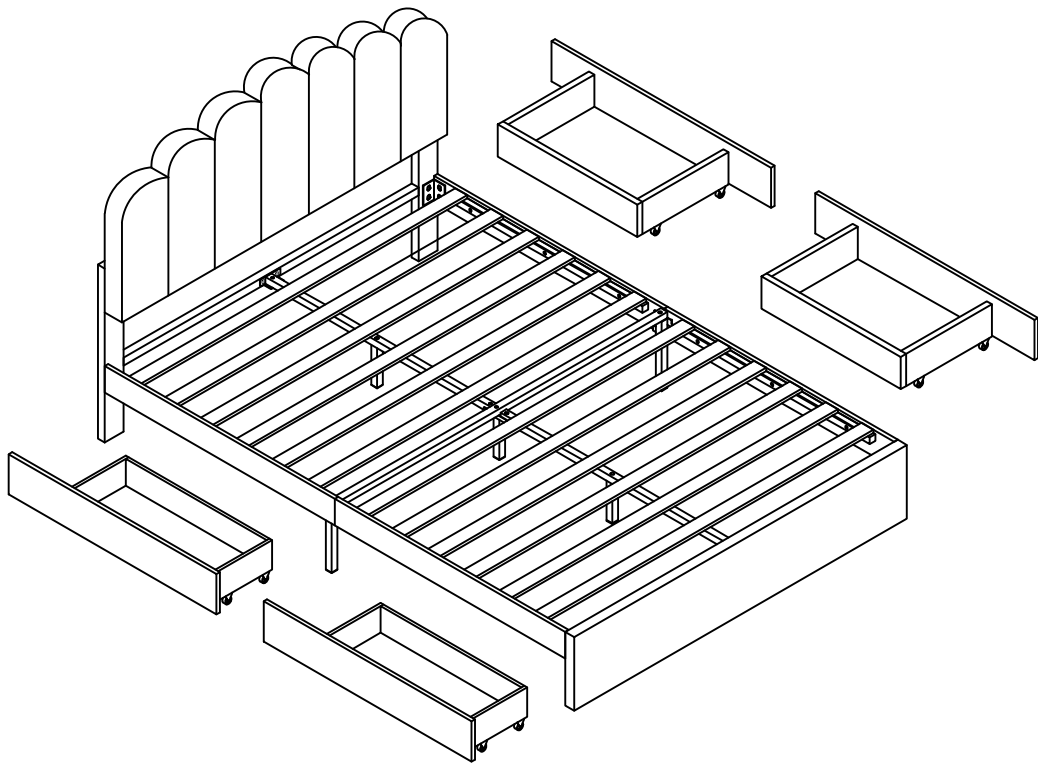
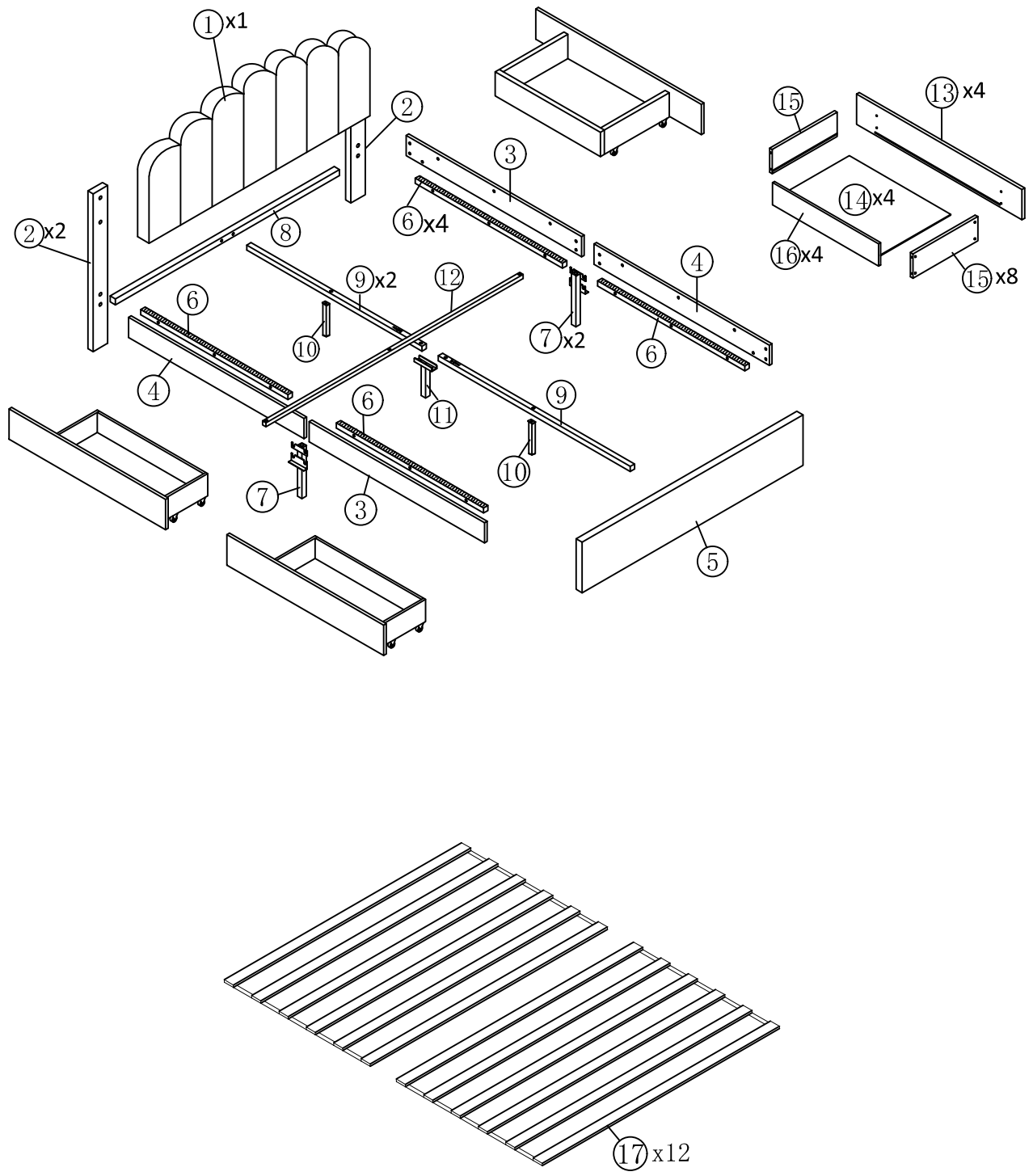


ASSEMBLY INSTRUCTION



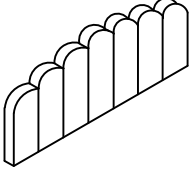

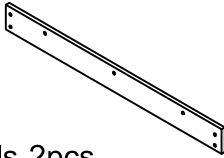
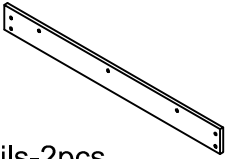
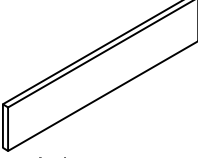
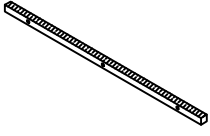

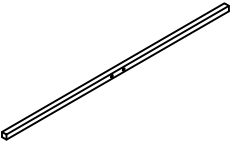
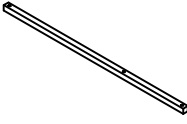

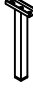
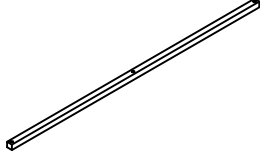
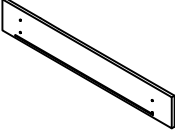
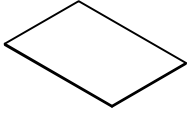
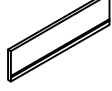
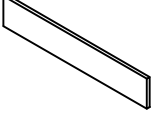
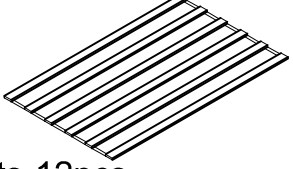
WF323759

Detail View








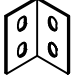


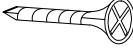


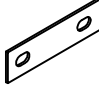
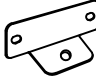
Part List

WF323759

<p>1</p>  <p>Head board-1pc</p>	<p>2</p>  <p>Head board legs-2pcs</p>	<p>3</p>  <p>Siderails-2pcs</p>
<p>4</p>  <p>Siderails-2pcs</p>	<p>5</p>  <p>Foot board-1pc</p>	<p>6</p>  <p>Side rails support bar-4pcs</p>
<p>7</p>  <p>Side rails support legs-2pcs</p>	<p>8</p>  <p>Head board cross bar-1pc</p>	<p>9</p>  <p>Center support bar-2pcs</p>
<p>10</p>  <p>Middle support leg-2pcs</p>	<p>11</p>  <p>Connected support leg-1pc</p>	<p>12</p>  <p>Cross bar-1pc</p>
<p>13</p>  <p>Drawer outer board-4pcs</p>	<p>14</p>  <p>Drawer bottom board-4pcs</p>	<p>15</p>  <p>Drawer board-8pcs</p>
<p>16</p>  <p>Drawer board-4pcs</p>	<p>17</p>  <p>Slats-12pcs</p>	

Hardware List

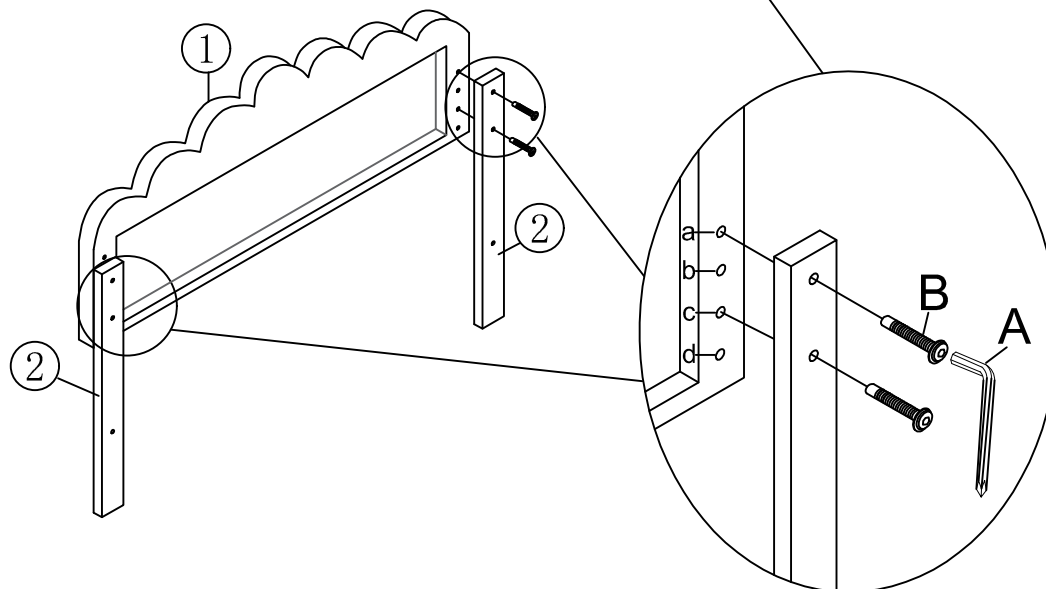
WF323759

A  20*70mm	B  Ø8*50mm	C  Ø8*18mm
Allen Key(1pcs) Bolts(4pcs) Bolts(36pcs)		
D  Ø8*40mm	E 	F  77*33**33*3mm
Bolts(21pcs) Stopper(4pcs) "7" Connector(4pcs)		
G  H:40mm	H 	I  Ø3*16mm
Bed legs(2pcs) Wheel (16pcs) Nails(32pcs)		
J 	K 	L 
Drawer fittings(32pcs) Drawer fittings (32pcs) Two hole iron(2PCS)		
M  28*32*86*2mm		
Center support bar fittings(2pcs)		

Remark: We recommend you assemble your bed in the flat ground.

Step 1

Attention:
You can chose the hole a
and c ,or b and d.



A



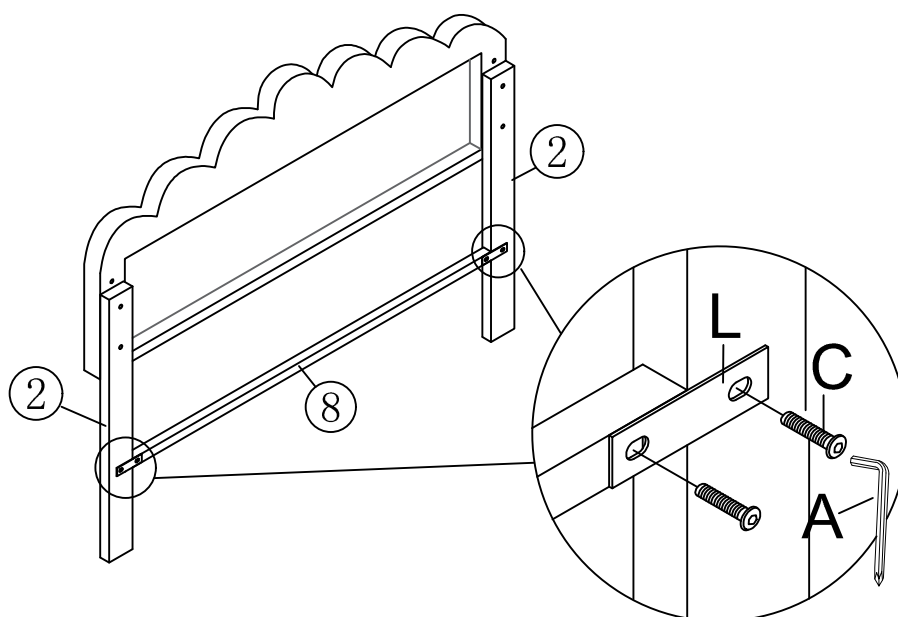
B



M8X50mm

4PCS

Step 2



A



C



M8X18mm



4PCS

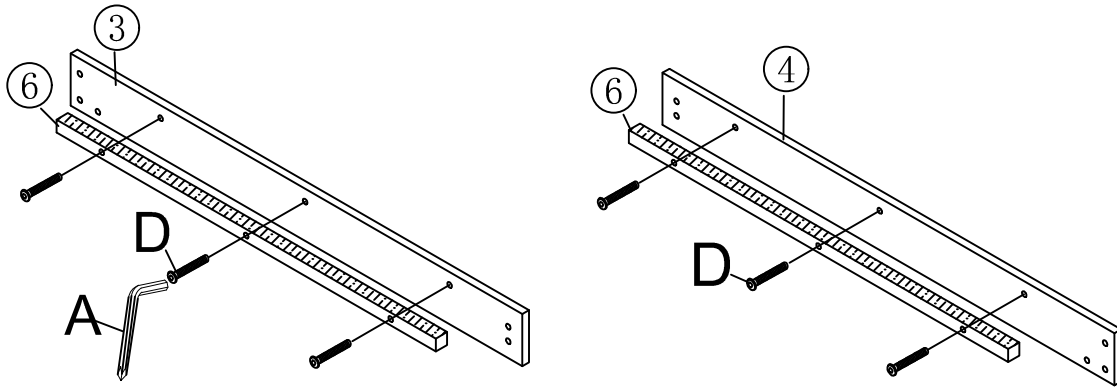
L





2PCS

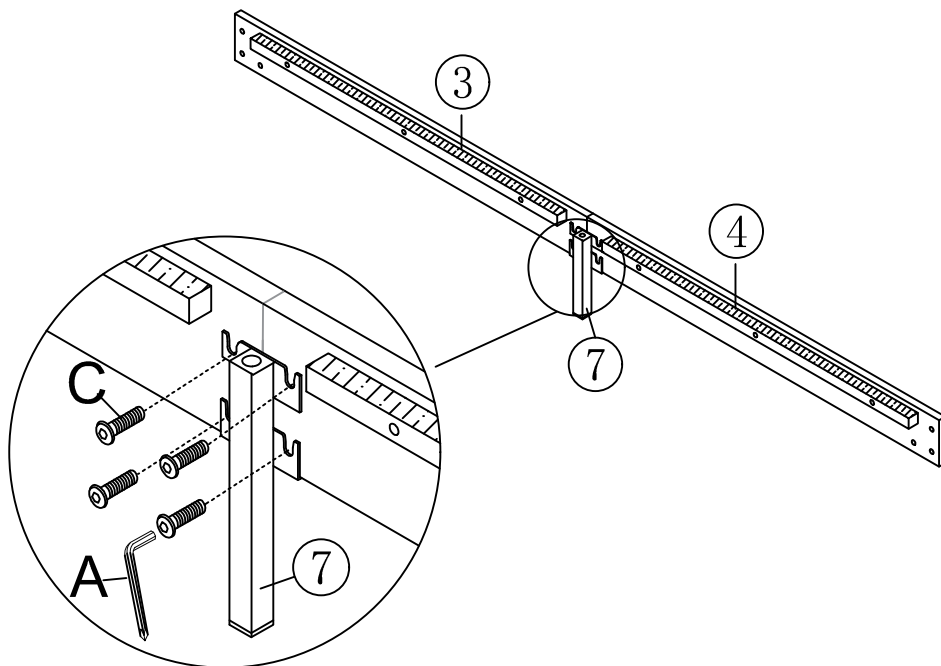
Step 3 x2

A	D
	 M8X40mm
	12PCS



Step 4 x2

A	C
	 M8X18mm
	8PCS

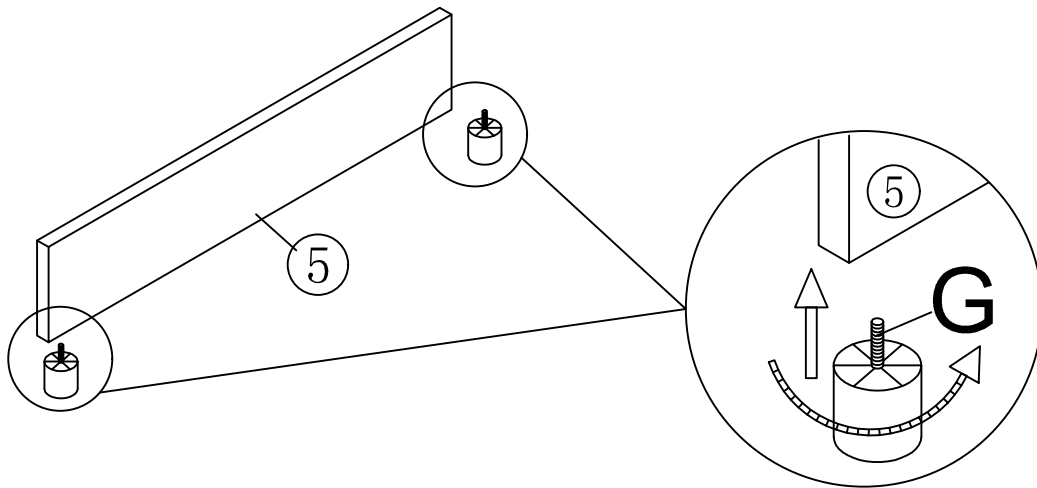


Step 5

G



2PCS



Step 6

A



C



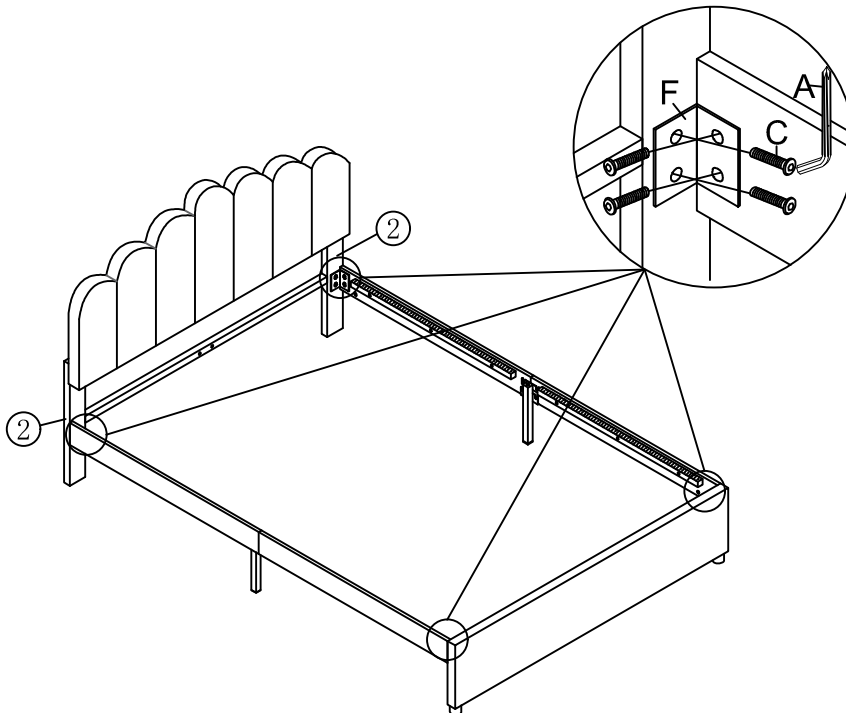
M8X18mm

16PCS




F

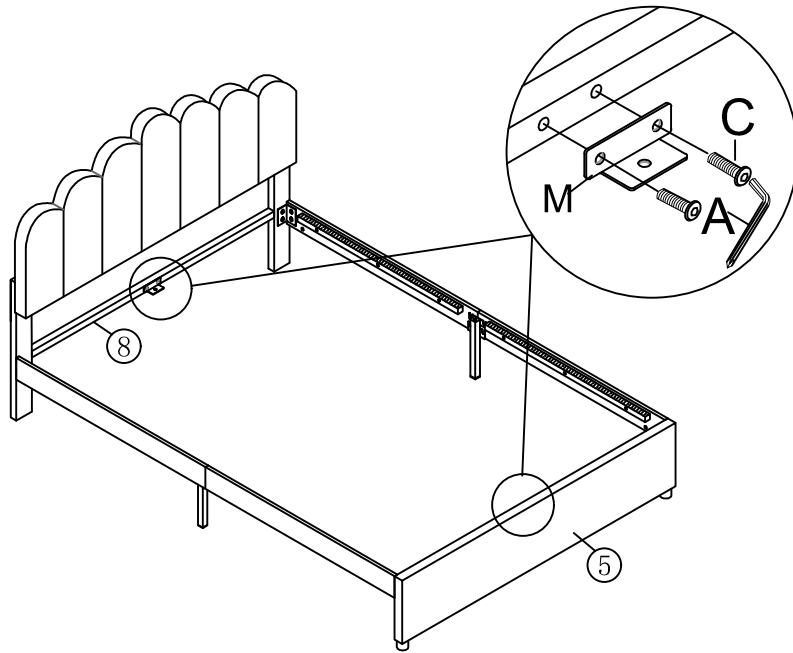


4PCS





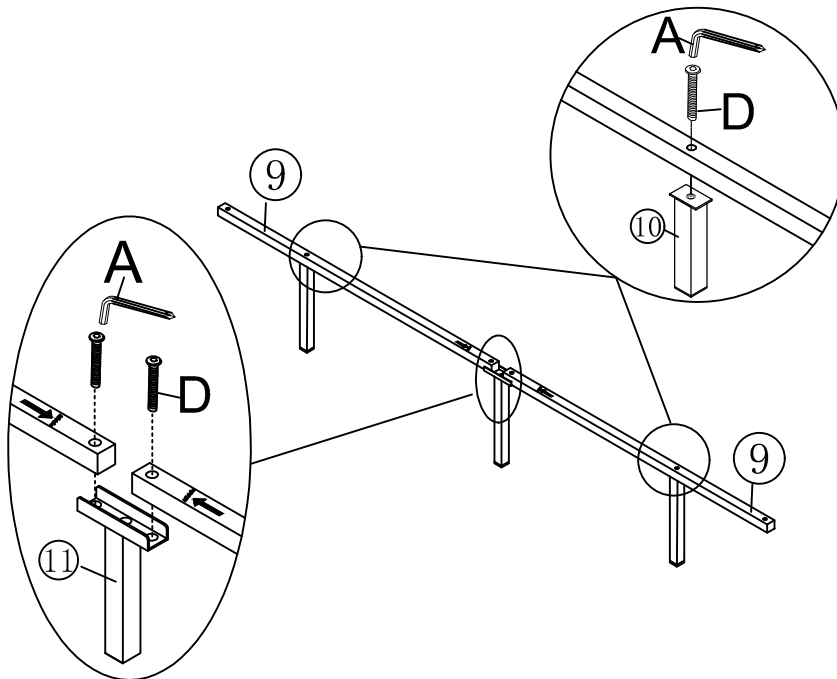
Step 7

A 	C  M8X18mm 4PCS	M  2PCS
---	---	--


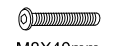


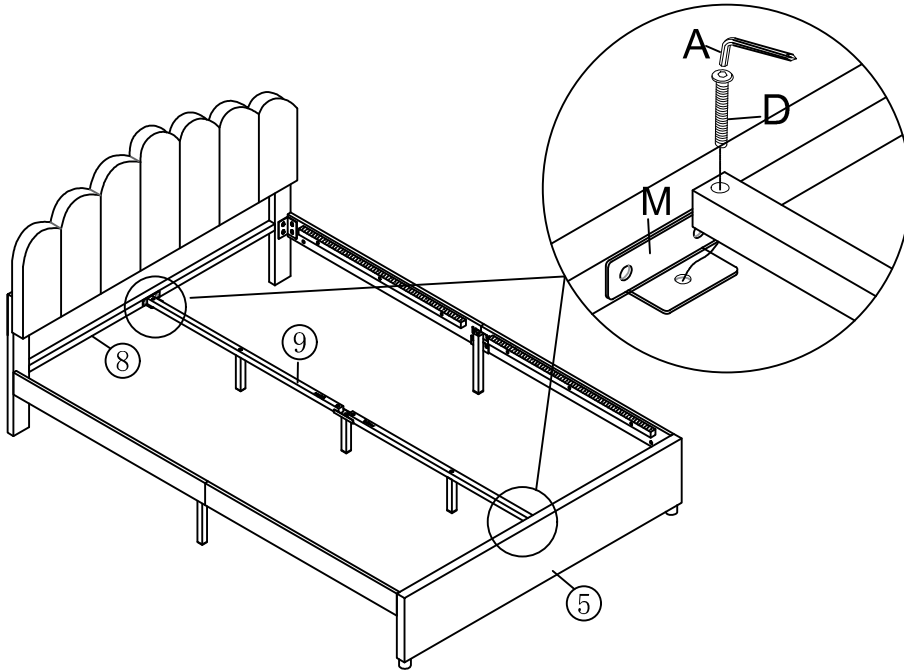
Step 8

A 	D  M8X40mm 4PCS
--	---





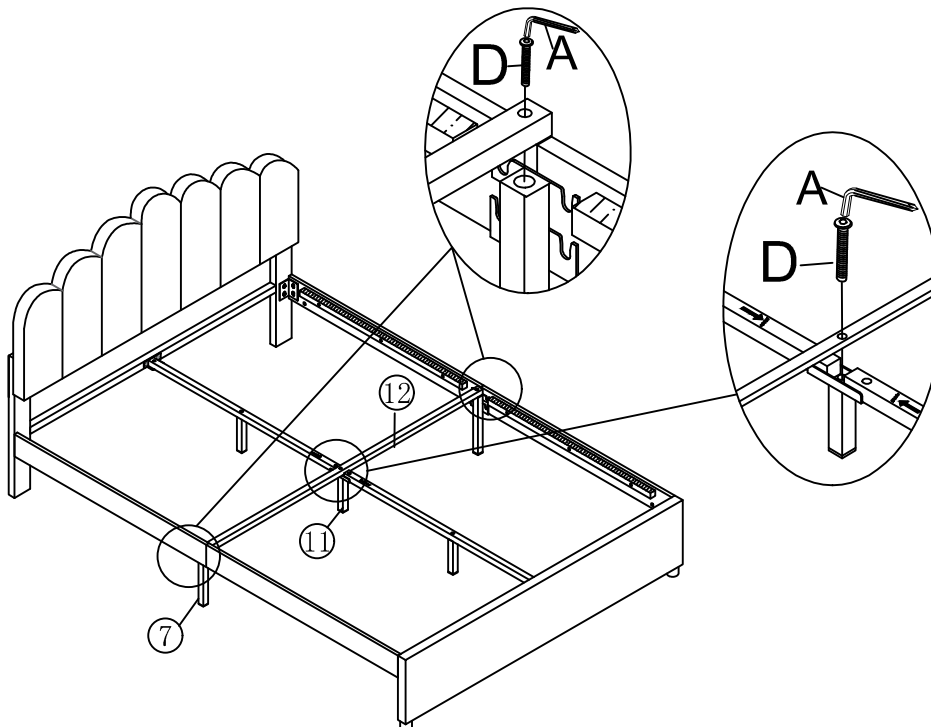
Step 9

A	D
	 M8X40mm
	2PCS


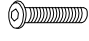



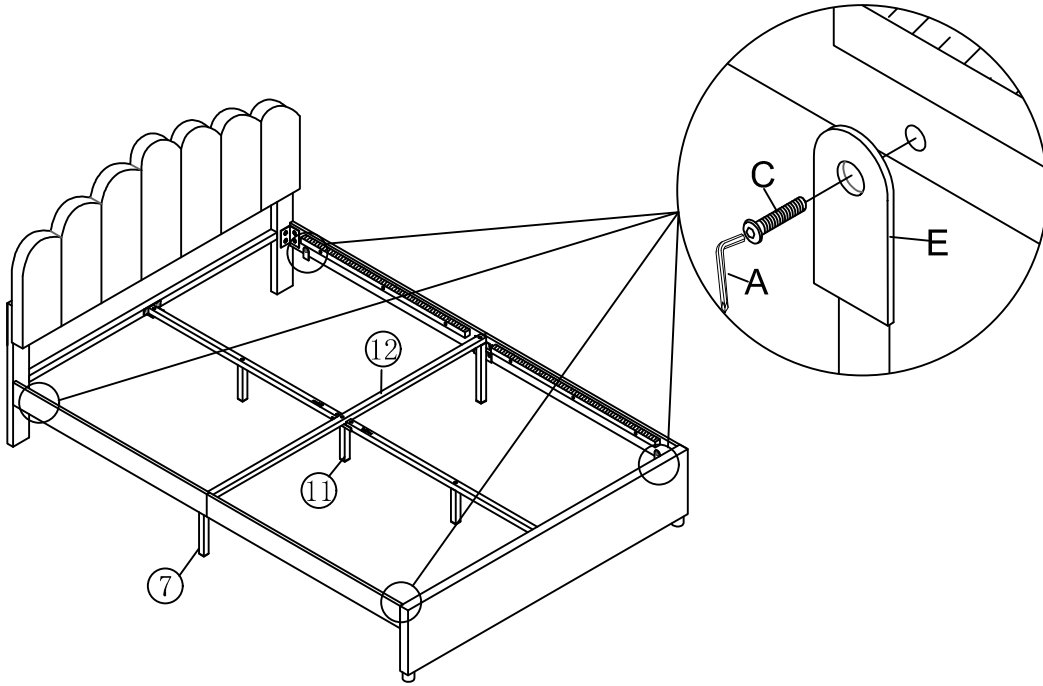
Step 10

A	D
	 M8X40mm
	3PCS








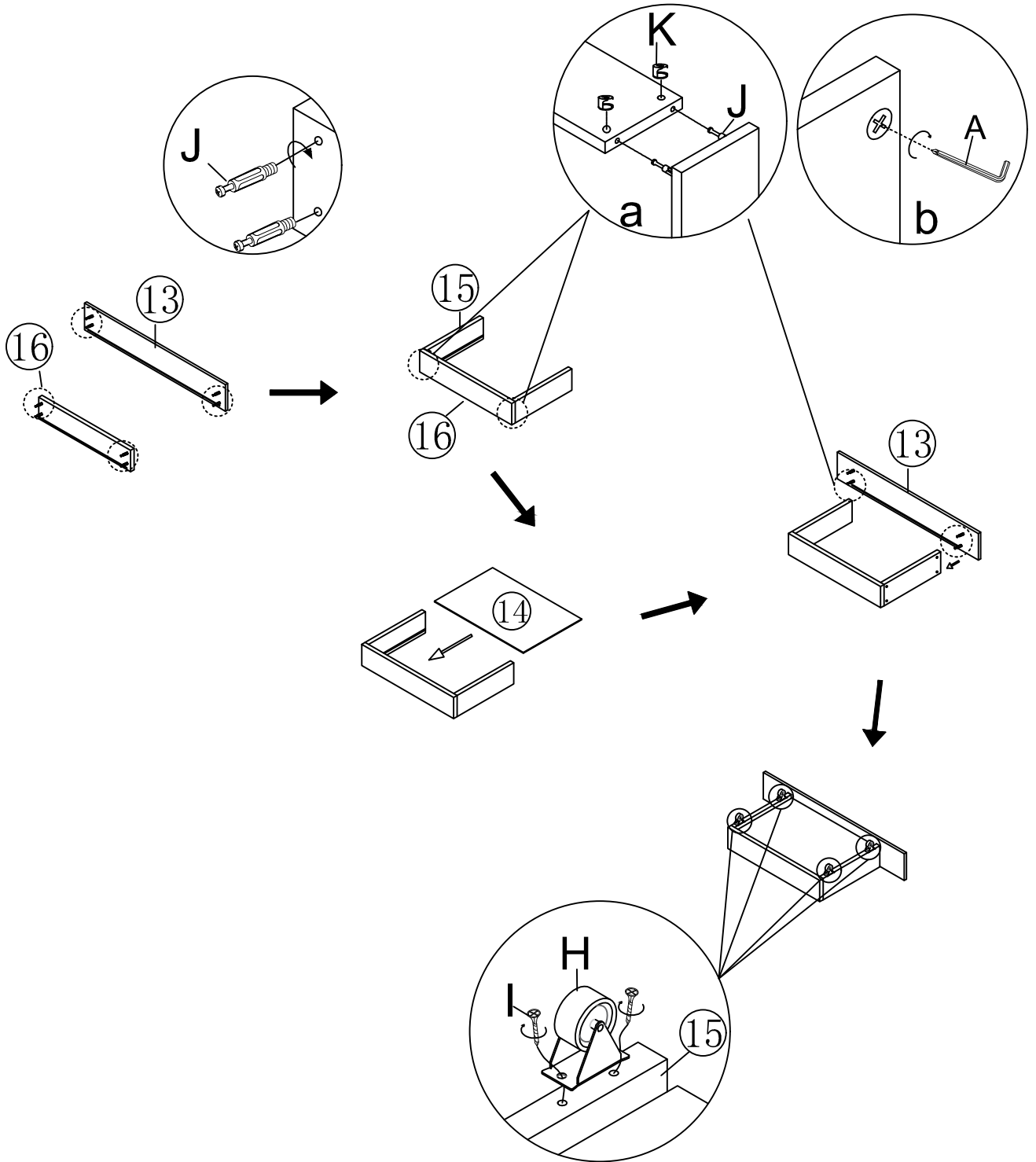
Step 11

A	C	E
	 M8X18mm 4PCS	 4PCS



Step 12 x4

<p>A</p> 	<p>H</p>  <p>16PCS</p>	<p>I</p>  <p>M3X20mm</p> <p>32PCS</p>	<p>J</p>  <p>32PCS</p>	<p>K</p>  <p>32PCS</p>
--	---	---	---	---



Step 13

