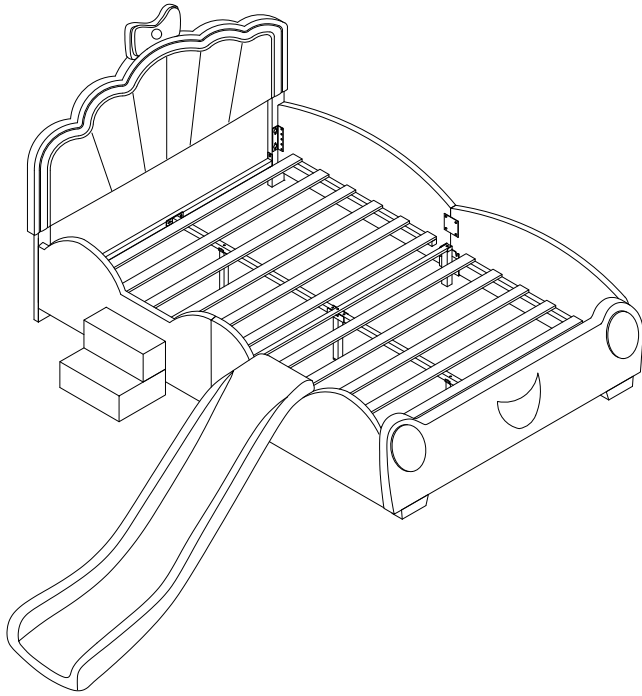


Assembly Instruction

WF323163AAH
WF323164AAH

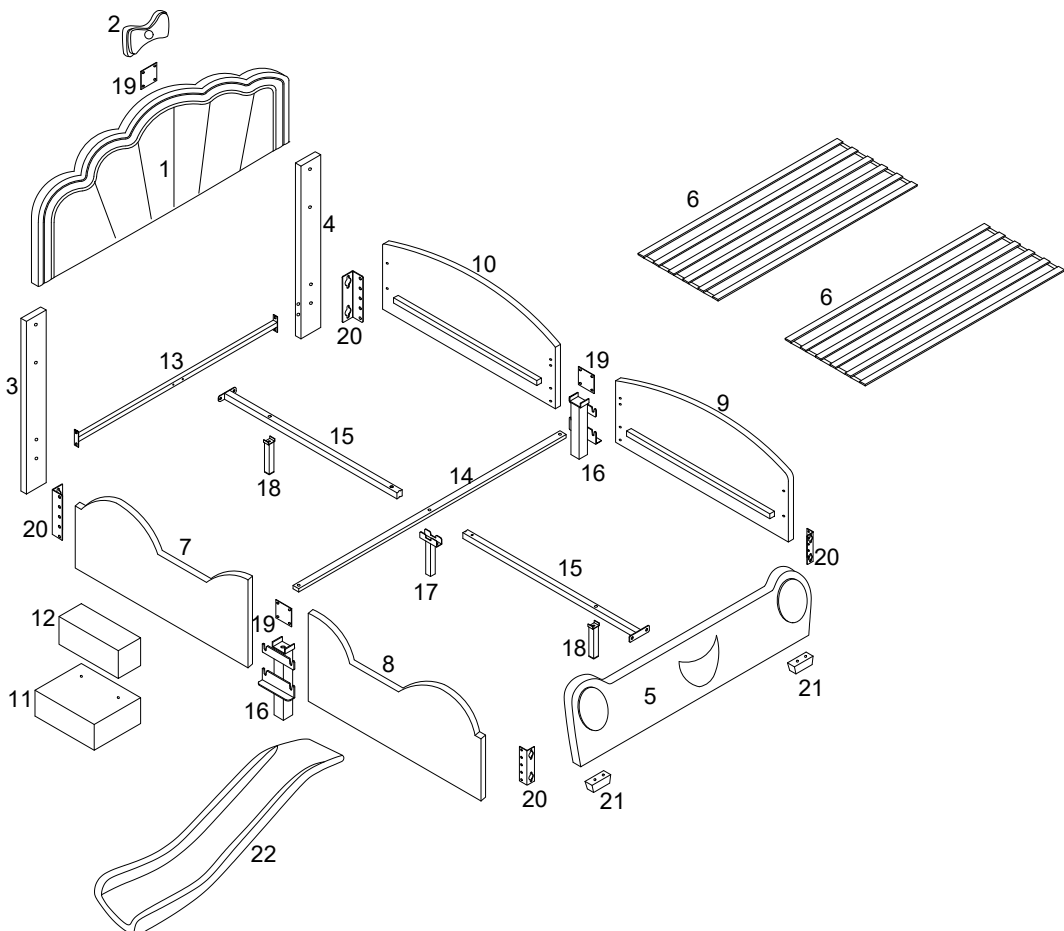


Please check that all parts are included before starting assembly. If you specify that something is missing, do not continue the assembly. Please contact us immediately.

Please read the complete instructions before installing this product. Please let at least two people participate in the assembly of this product!

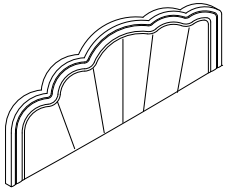
Attention: Please do not tighten all screws before assembly is complete!

Detail View

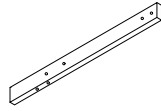


Assembly Instruction

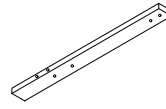
WF323163AAH



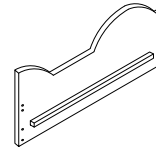
1. 1pc



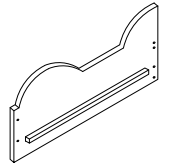
3. 1pc



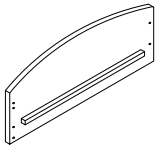
4. 1pc



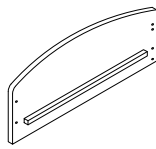
7. 1pc



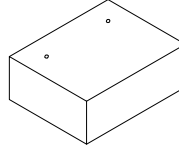
8. 1pc



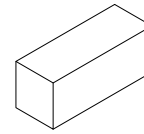
9. 1pc



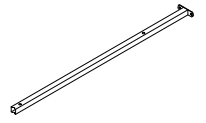
10. 1pc



11. 1pc

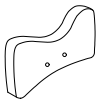


12. 1pc

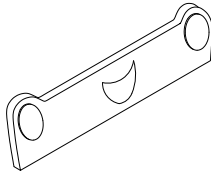


15. 2pc

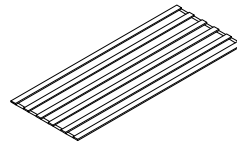
WF323164AAH



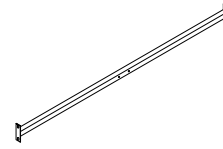
2. 1pc



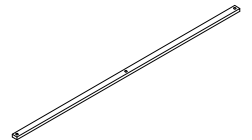
5. 1pc



6. 2pcs



13. 1pc



14. 1pc



16. 2pc



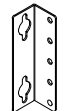
17. 1pcs



18. 2pc



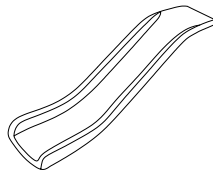
19. 3pcs



20. 4pcs



21. 2pcs



22. 1pc



23. 1pc



24. 1pc



M8*18
A. 44pcs



M8*40
B. 12pcs



M8*45
C. 1pc



M8
E. 1pc



M4*60
K. 4pcs

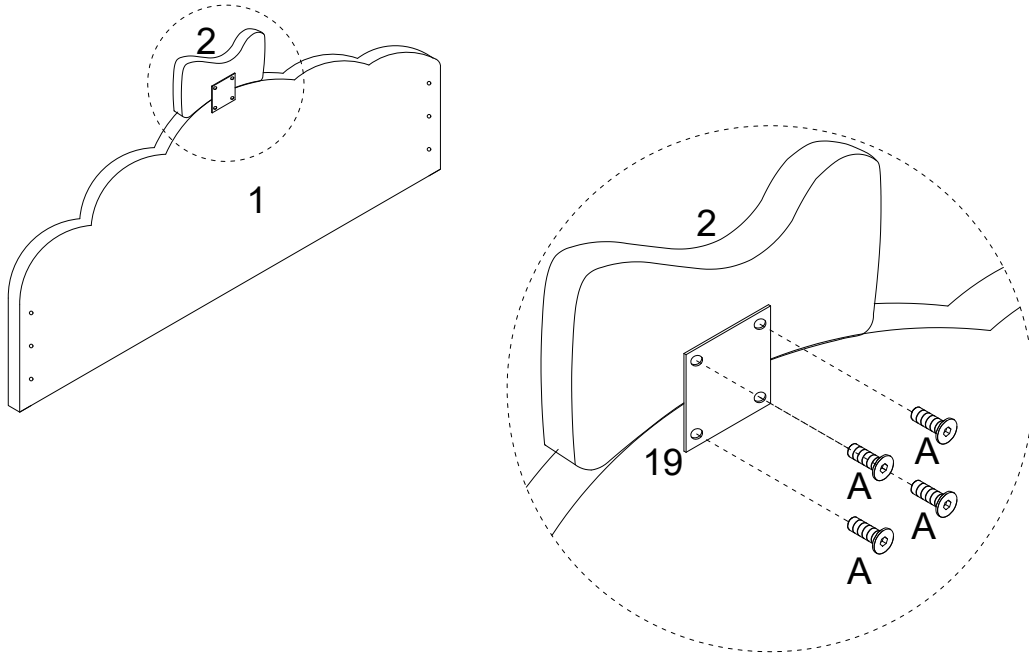


T. 4pcs

Assembly Instruction

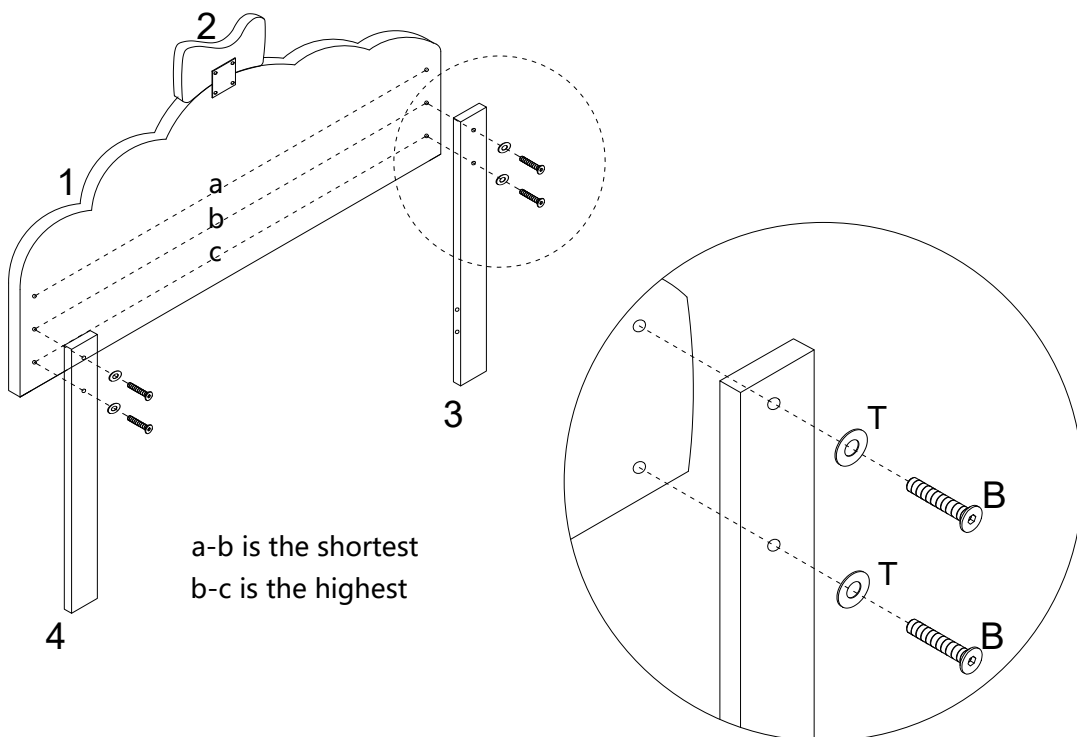
Step:1

A x4pcs



Step:2

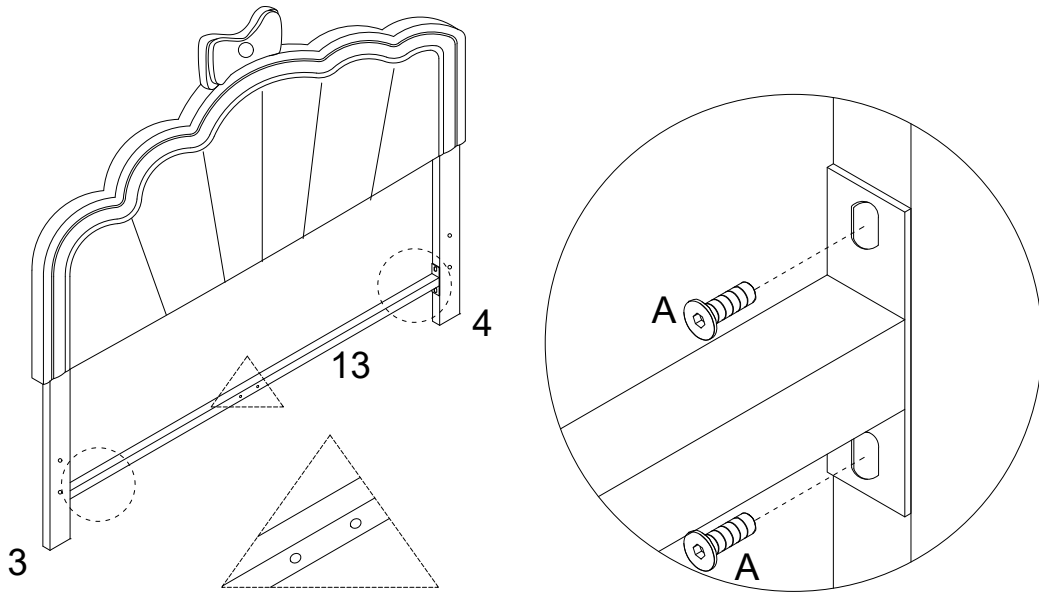
B x4pcs
T x4pcs



Assembly Instruction

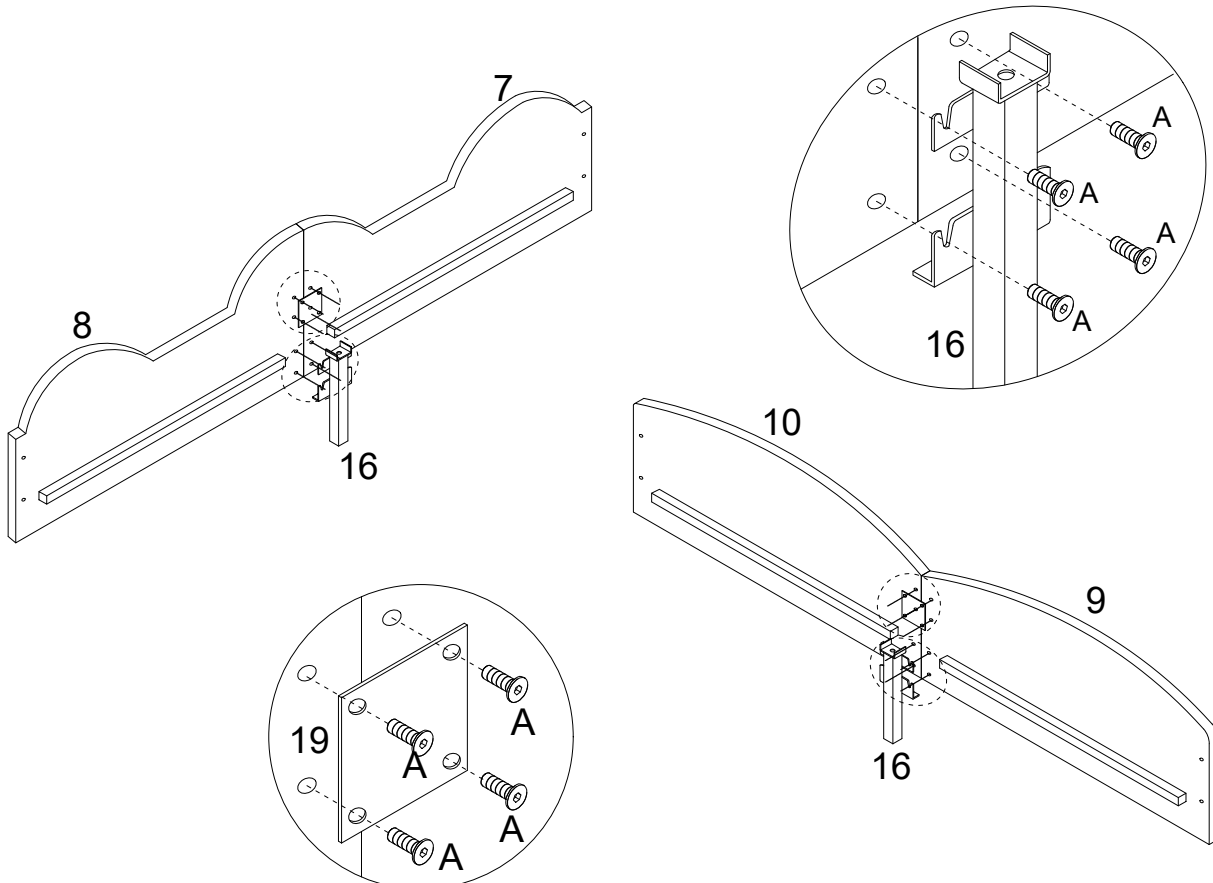
Step:3

A x4pcs



Step:4

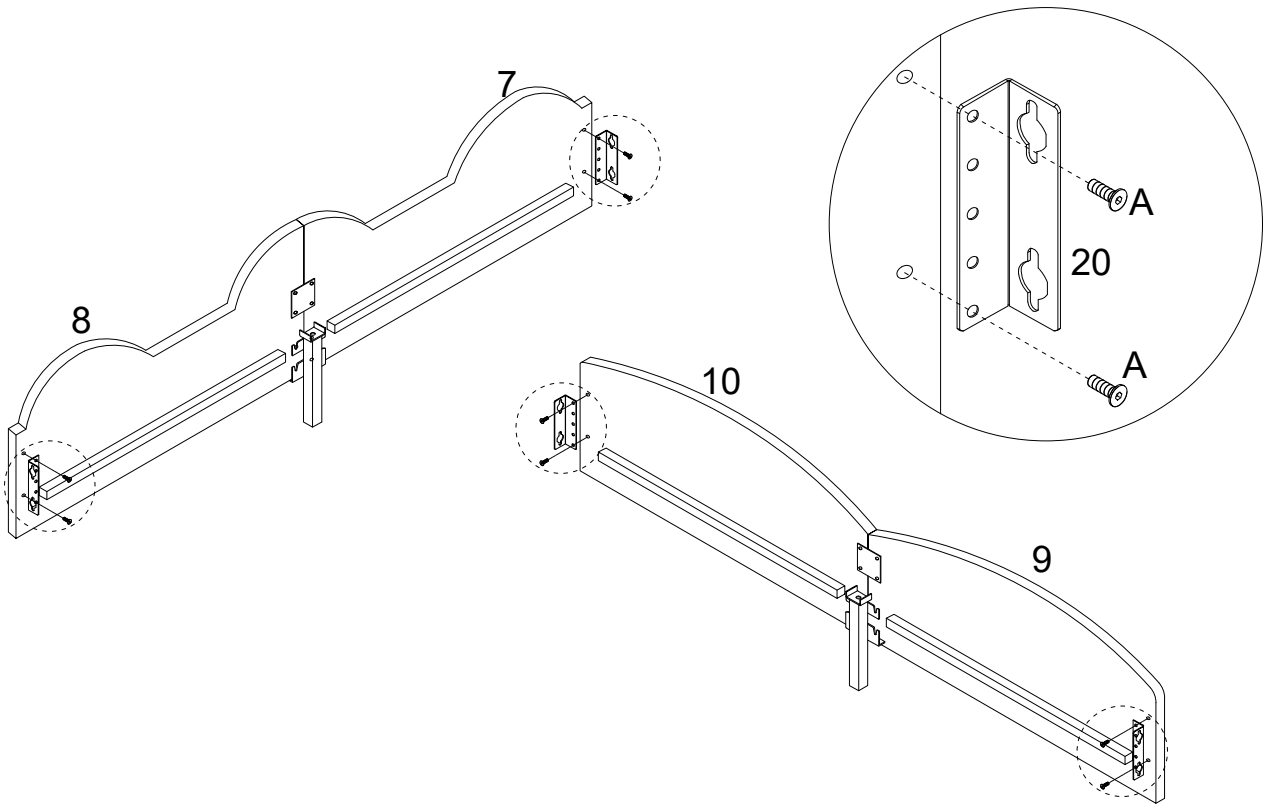
A x16pcs



Assembly Instruction

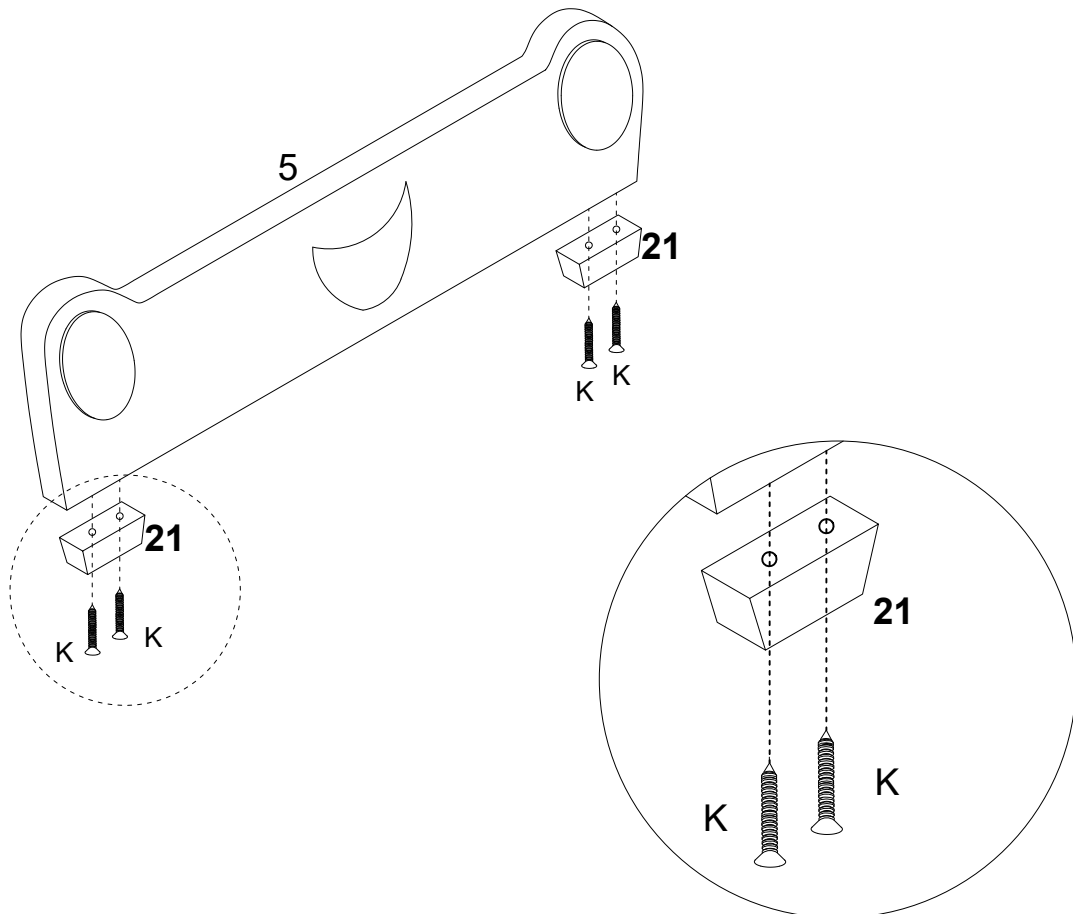
Step:5

Ax8pcs



Step:6

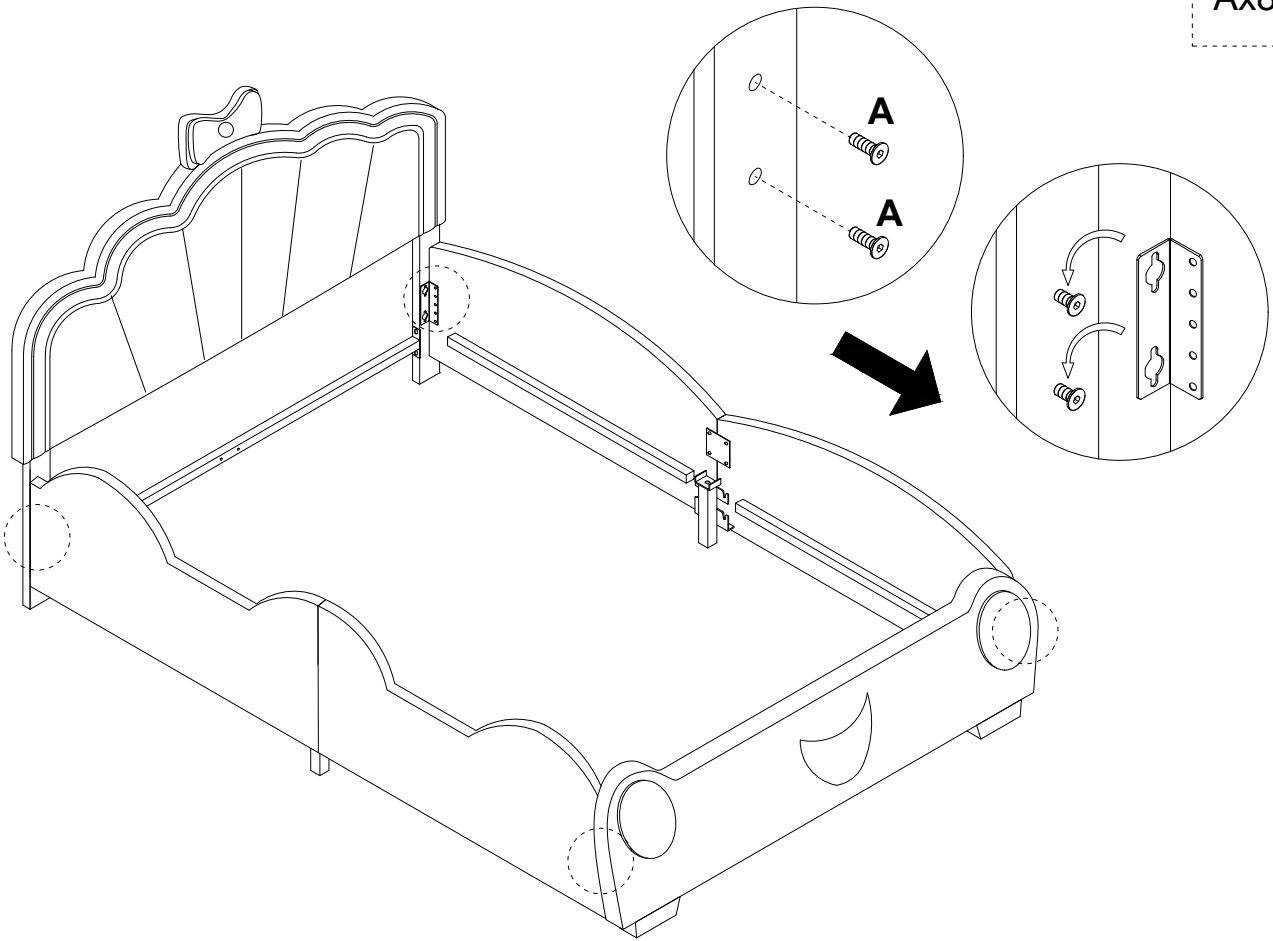
Kx4pcs



Assembly Instruction

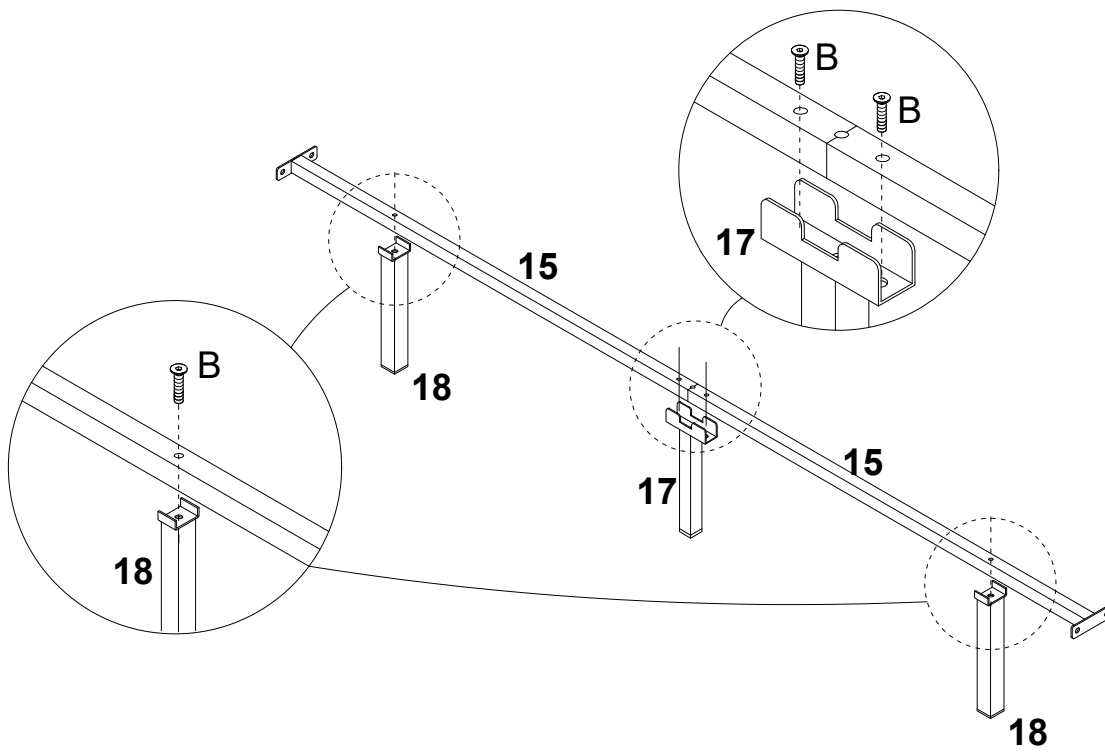
Step:7

Ax8pcs



Step:8

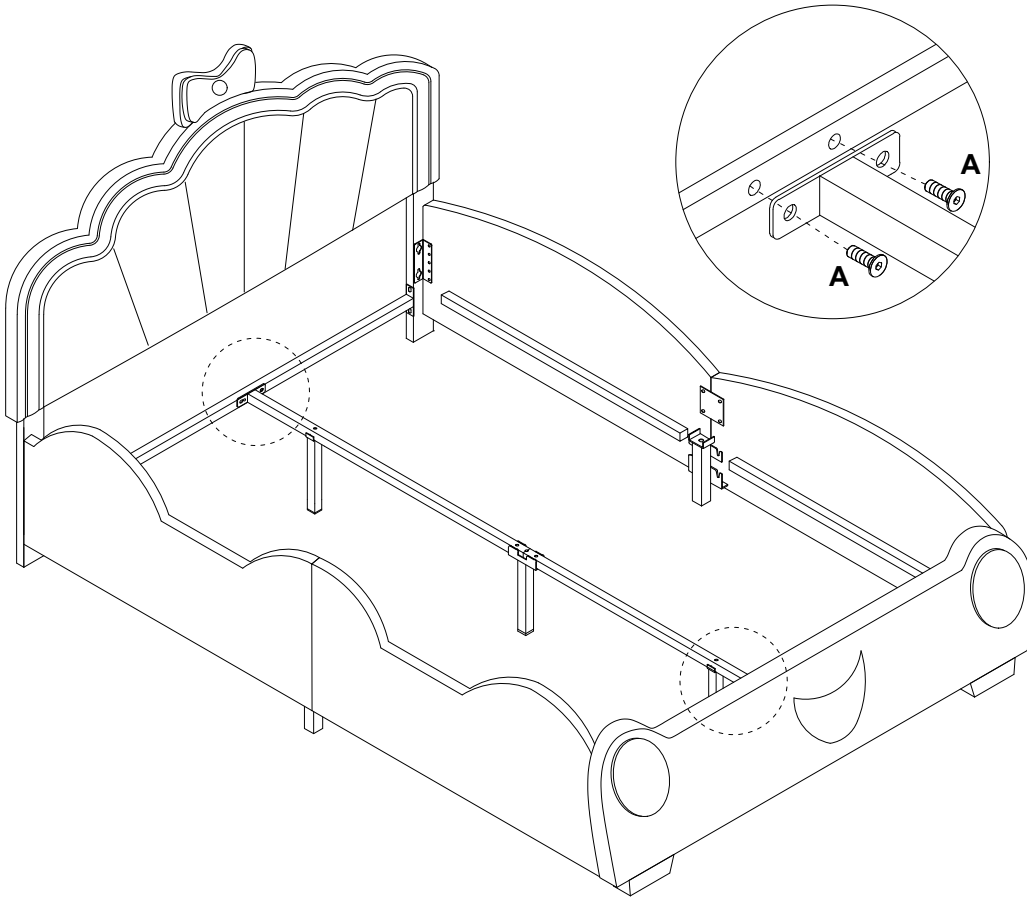
Bx4pcs



Assembly Instruction

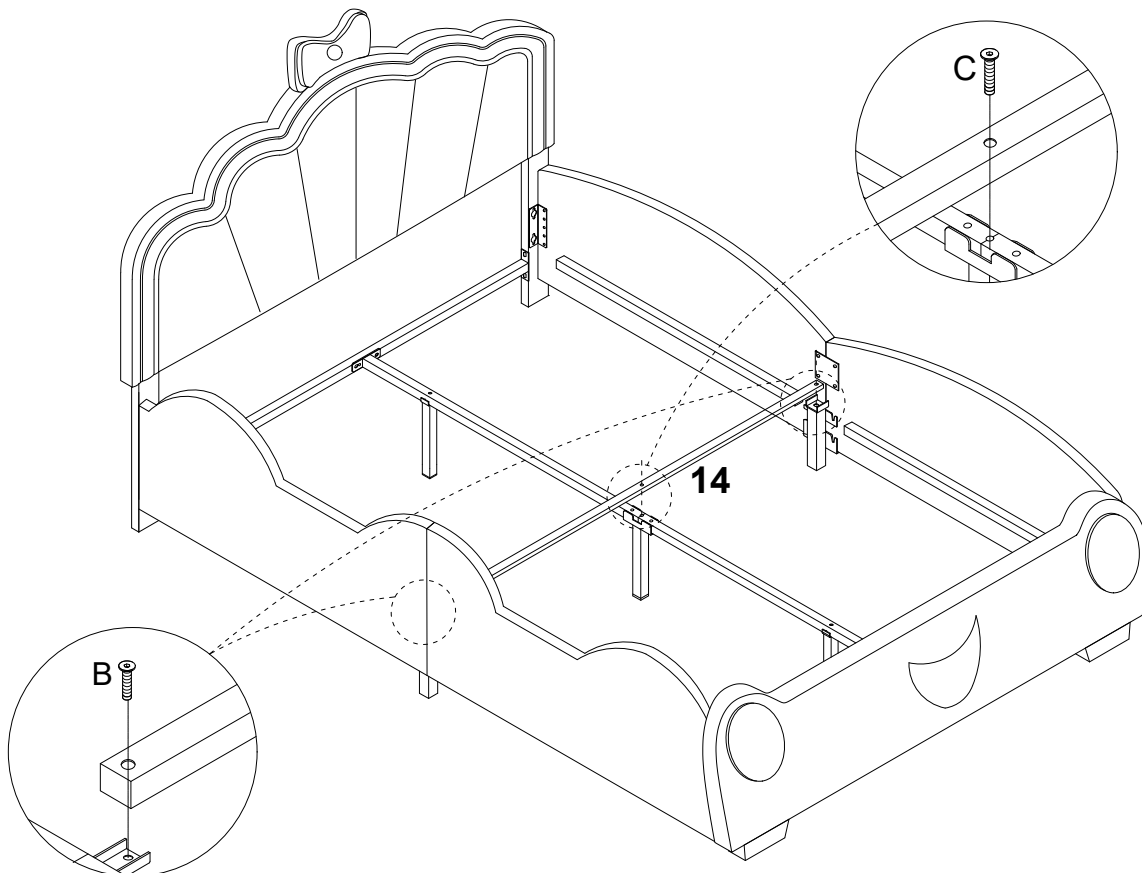
Step:9

A x4pcs



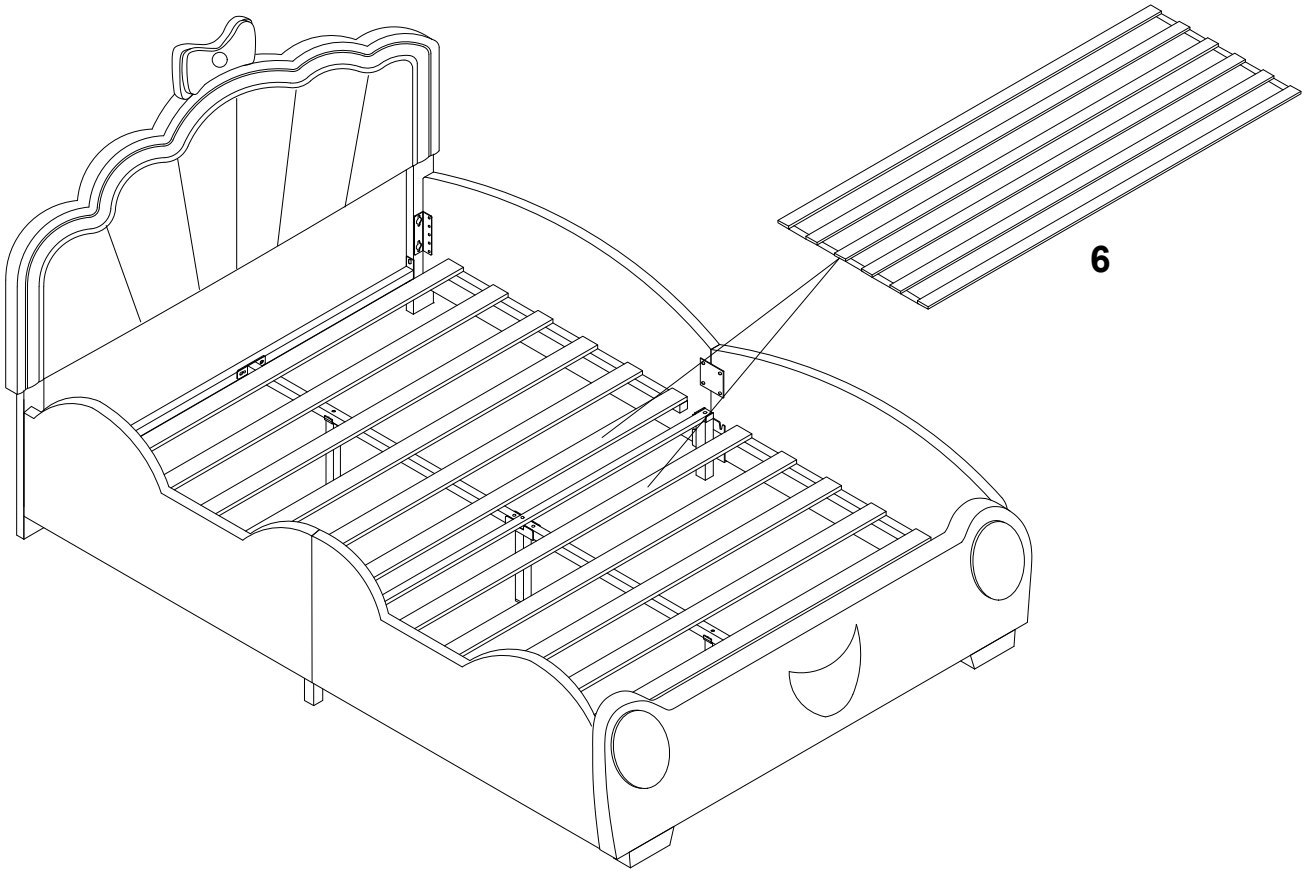
Step:10

B x2pcs
C x1pc



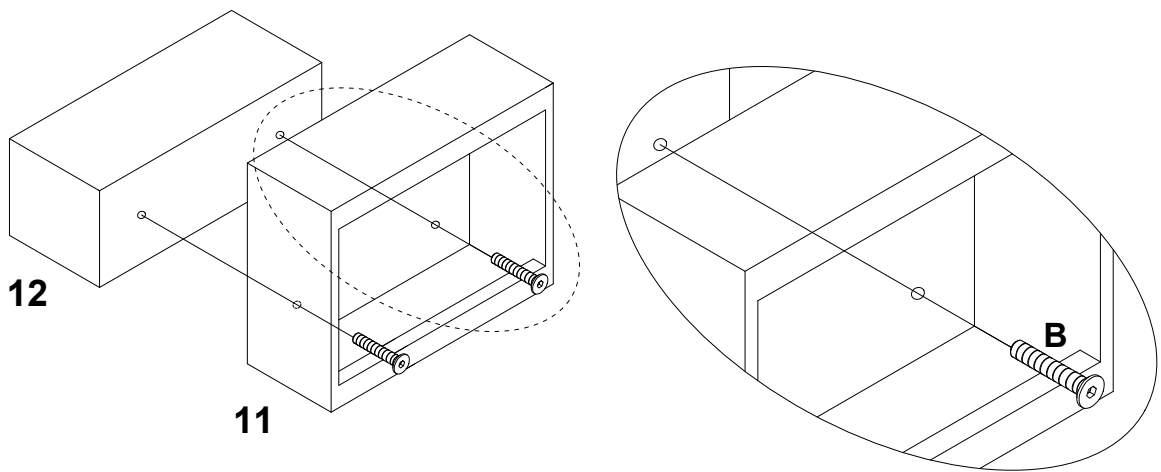
Assembly Instruction

Step:11



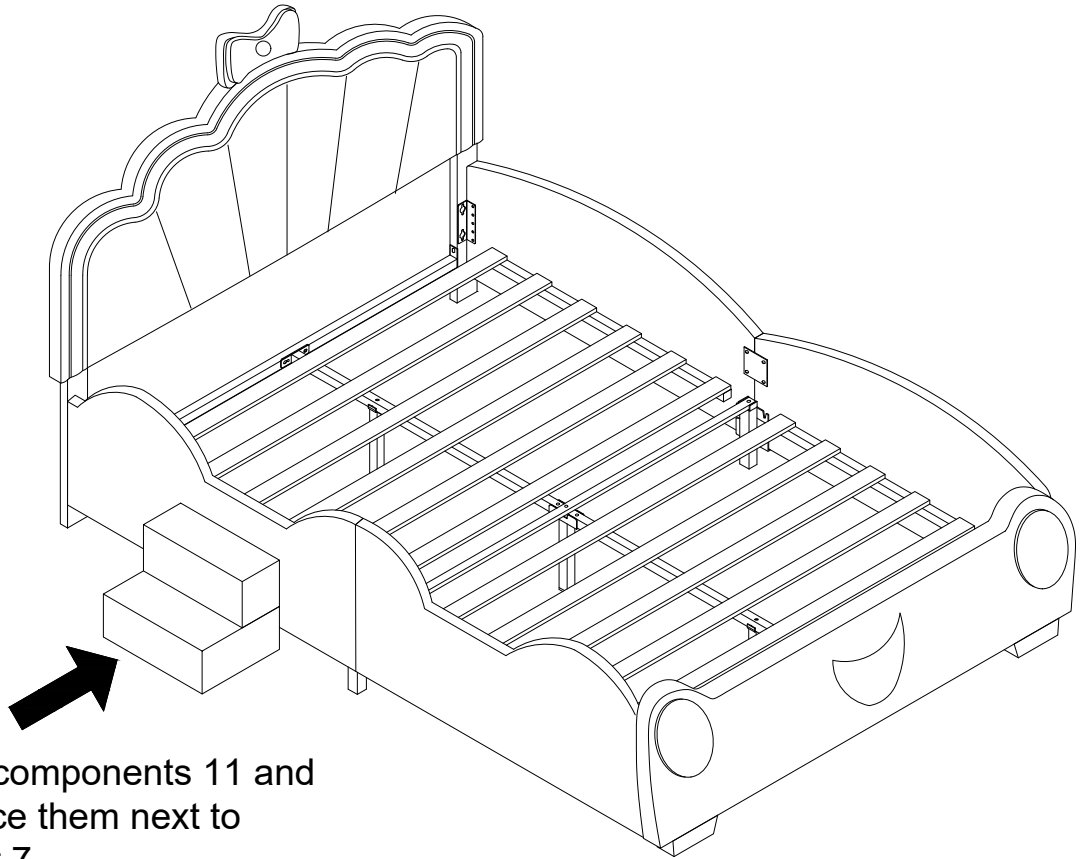
Step:12

B x2pcs



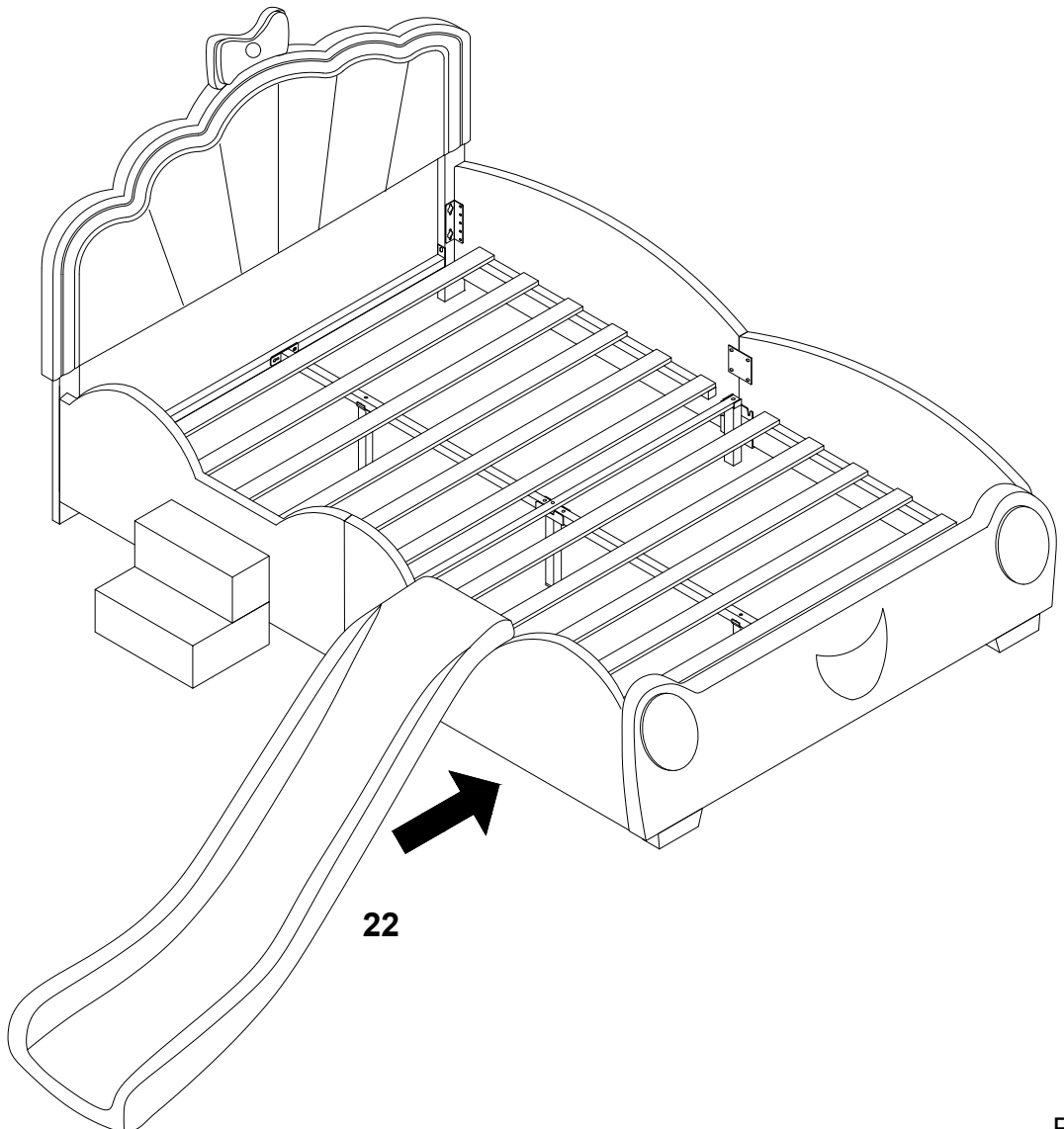
Assembly Instruction

Step:13



Assemble components 11 and 12 and place them next to component 7

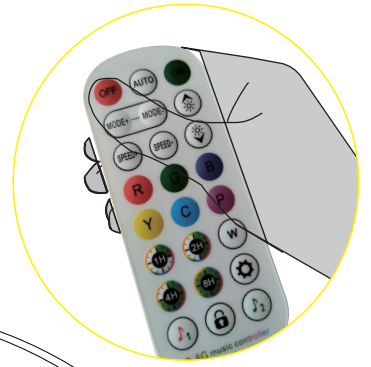
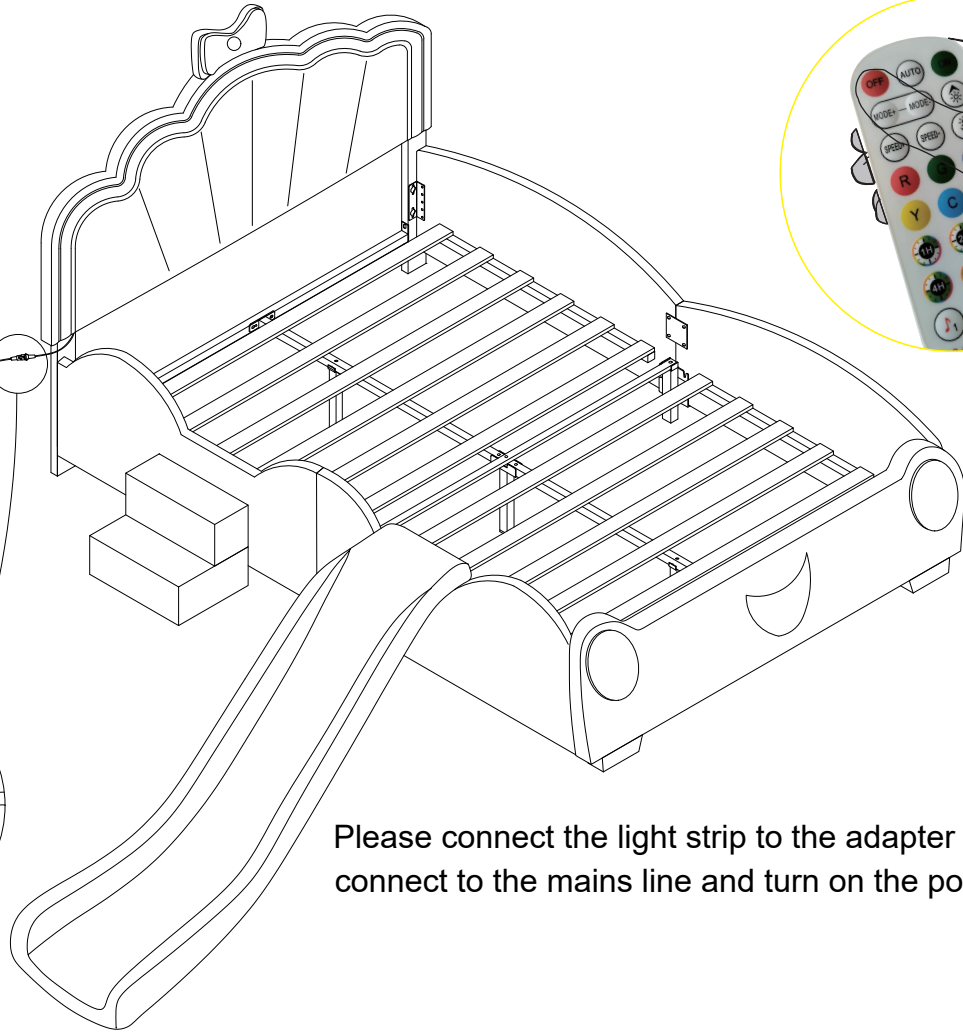
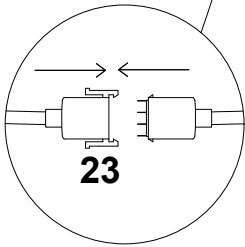
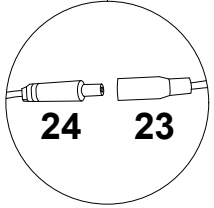
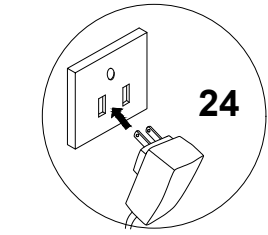
Step:14



22

Assembly Instruction

Step:15



Please connect the light strip to the adapter cable, connect to the mains line and turn on the power supply

