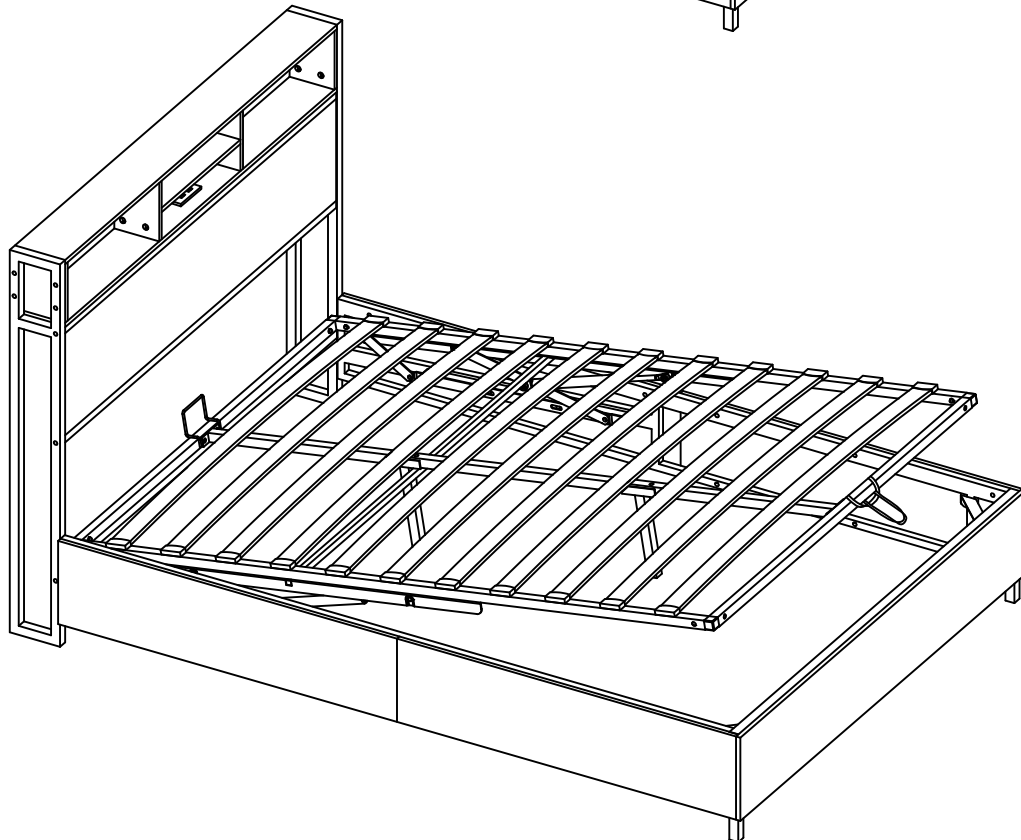
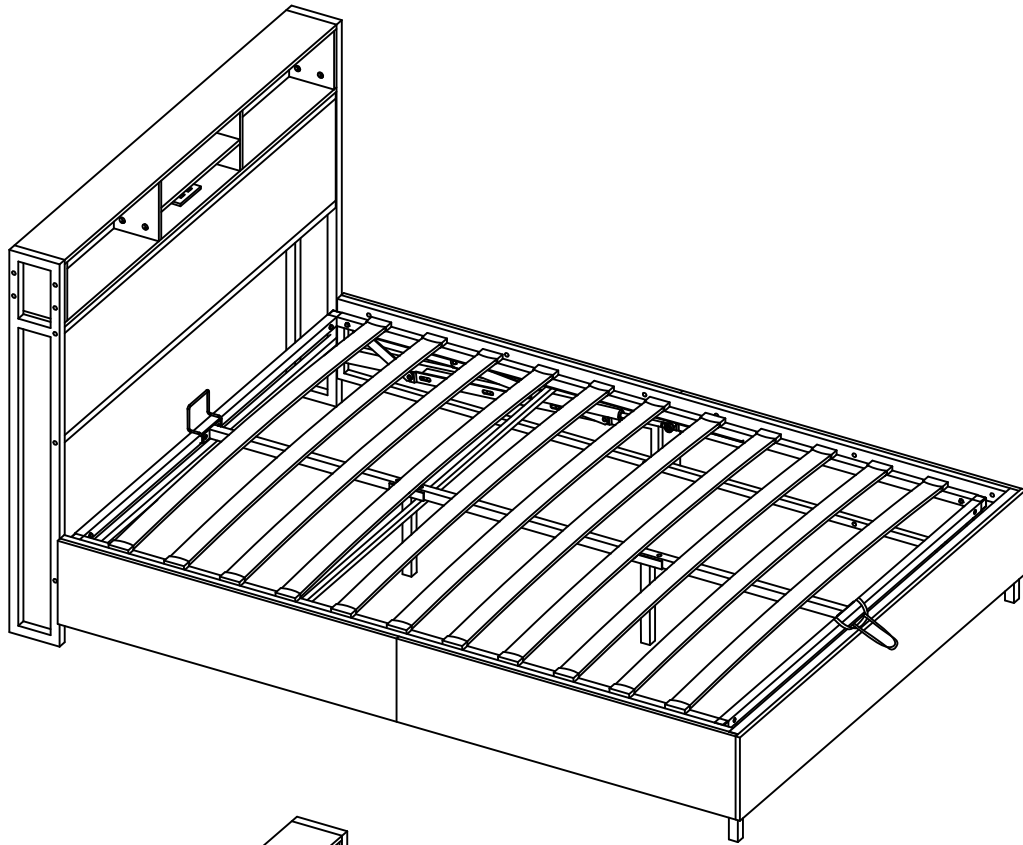
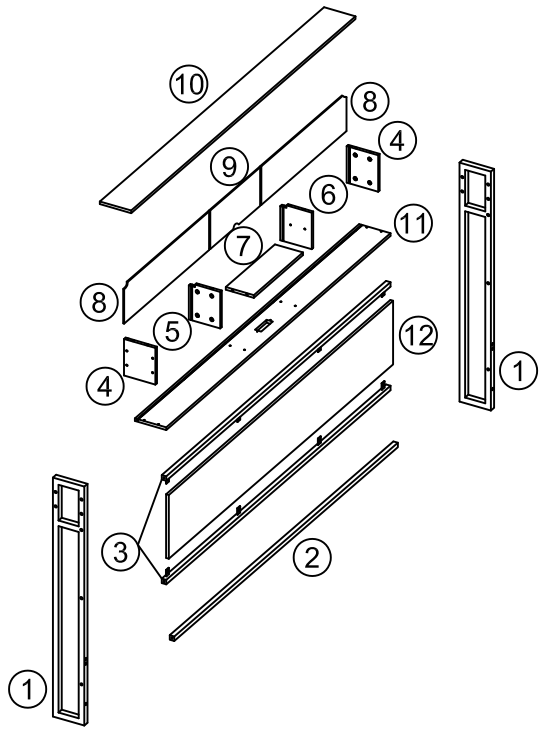
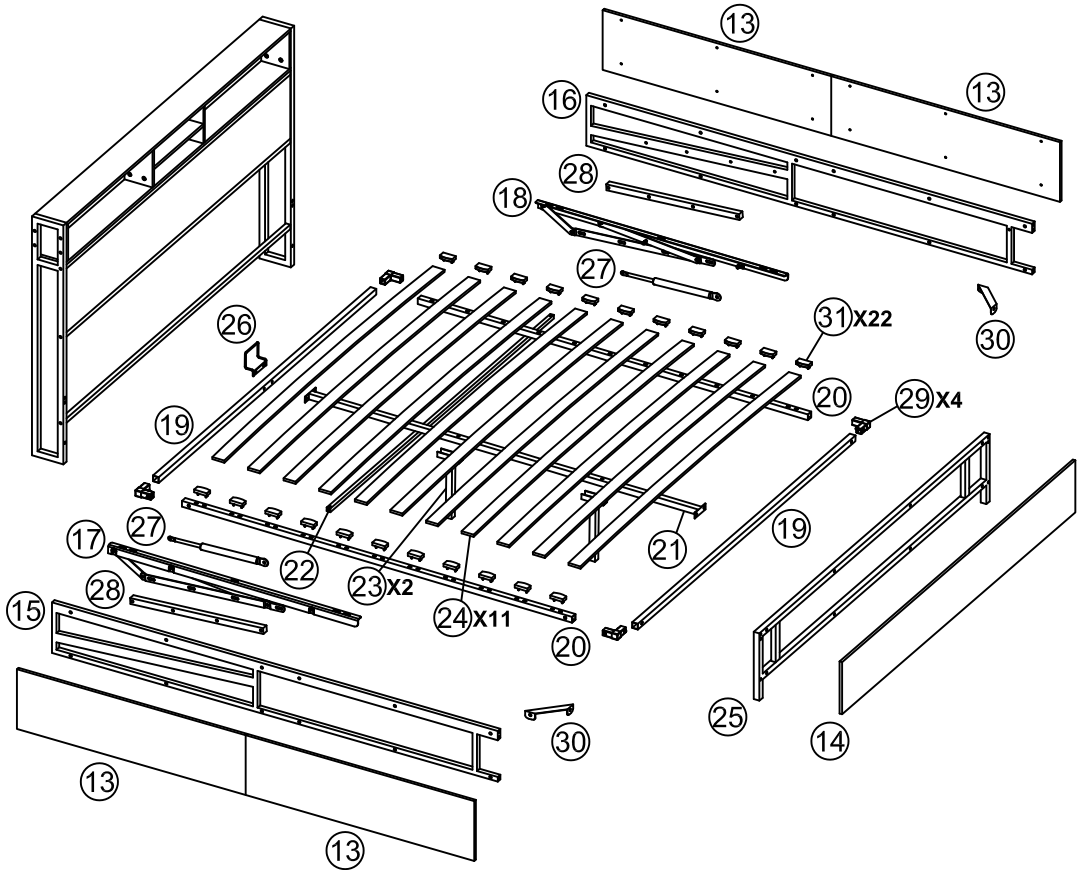


Assembly Instruction



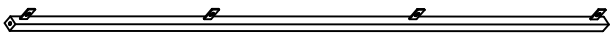
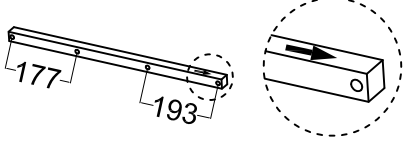
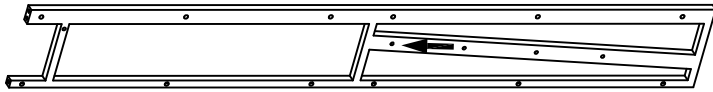
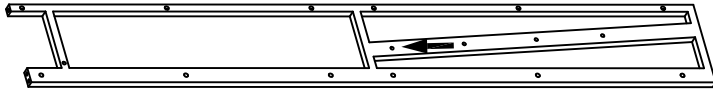
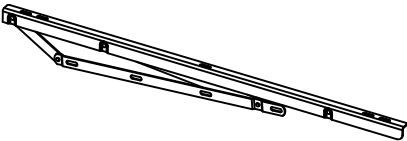
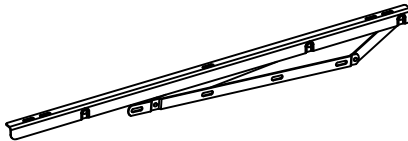
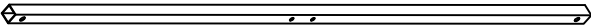
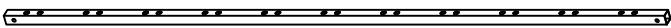
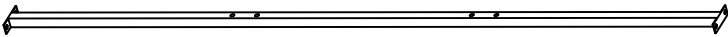

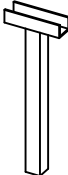
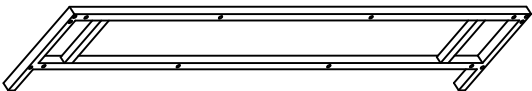
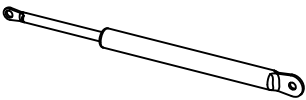
SKU:WF321671



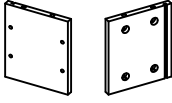
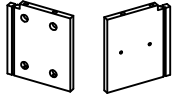
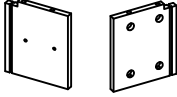
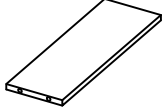





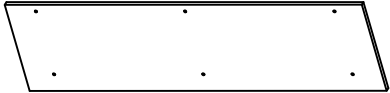
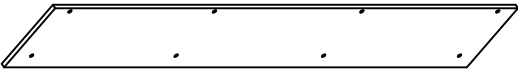
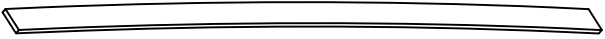

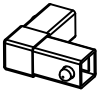


Parts List



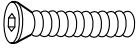







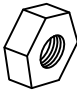
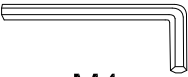

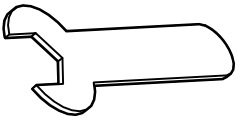

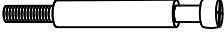

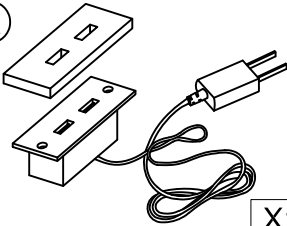


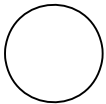
Parts List

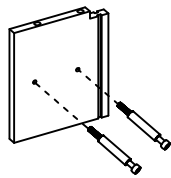
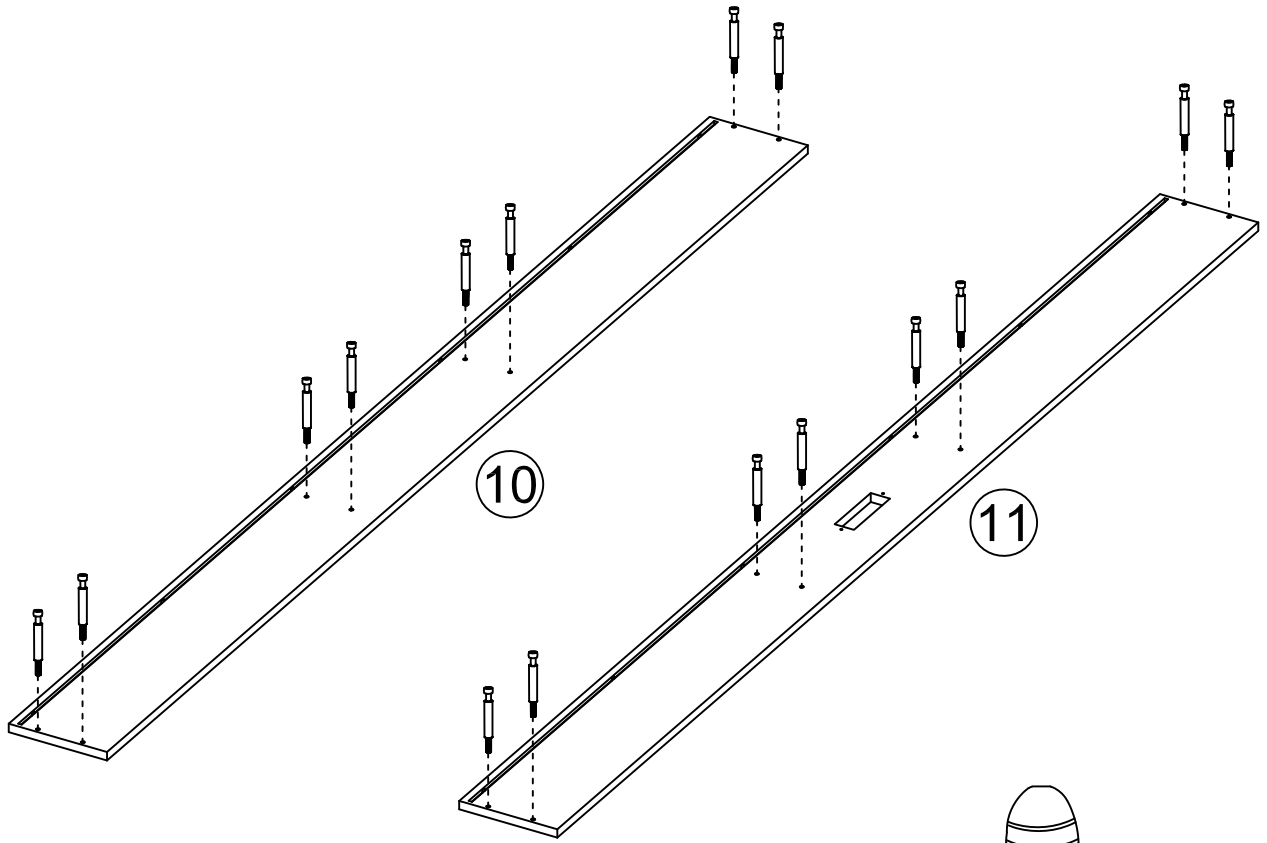
<p>①</p>  <p>X2</p>	<p>②</p>  <p>X1</p>
<p>③</p>  <p>X2</p>	<p>②8</p>  <p>X2</p>
<p>⑮</p>  <p>X1</p>	
<p>⑮6</p>  <p>X1</p>	
<p>⑮7</p>  <p>X1</p>	<p>⑮8</p>  <p>X1</p>
<p>⑮9</p>  <p>X2</p>	<p>⑮0</p>  <p>X2</p>
<p>⑮1</p>  <p>X1</p>	
<p>⑮2</p>  <p>X1</p>	<p>⑮3</p>  <p>X2</p>
<p>⑮5</p>  <p>X1</p>	<p>⑮7</p>  <p>X2</p>

Parts List

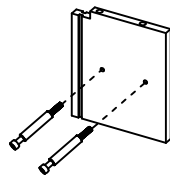
<p>④</p>  <p>X2</p>	<p>⑤</p>  <p>X1</p>
<p>⑥</p>  <p>X1</p>	<p>⑦</p>  <p>X1</p>
<p>⑧</p>  <p>X2</p>	<p>⑨</p>  <p>X1</p>
<p>⑩</p>  <p>X1</p>	<p>⑪</p>  <p>X1</p>
<p>⑫</p>  <p>X1</p>	<p>⑬</p>  <p>X4</p>
<p>⑭</p>  <p>X1</p>	<p>⑳</p>  <p>X11</p>
<p>⑳</p>  <p>X1</p>	<p>㉑</p>  <p>X4</p>
<p>㉒</p>  <p>X2</p>	<p>㉓</p>  <p>X22</p>

Hardware List

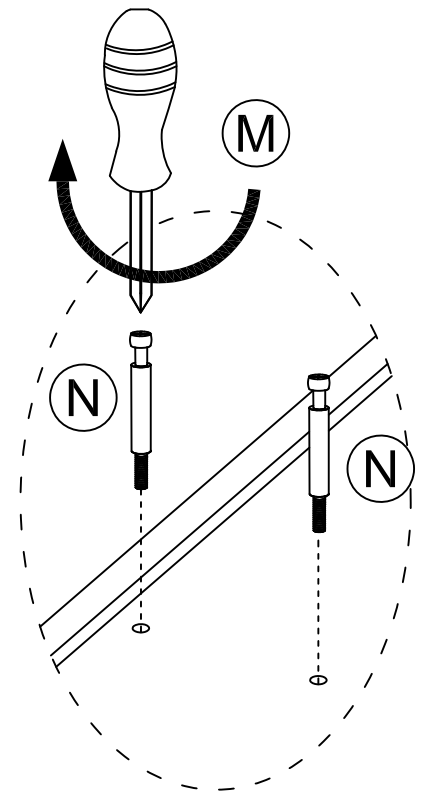
<p>(A)</p>  <p>M8×45mm</p> <p>X6</p>	<p>(B)</p>  <p>M8×45mm</p> <p>X20</p>	<p>(C)</p>  <p>M8×35mm</p> <p>X4</p>	<p>(D)</p>  <p>M6×12mm</p> <p>X8</p>
<p>(E)</p>  <p>M6×20mm</p> <p>X16</p>	<p>(F)</p>  <p>M6×30mm</p> <p>X24</p>	<p>(G)</p>  <p>M6×35mm</p> <p>X18</p>	<p>(H)</p>  <p>M3x12mm</p> <p>X2</p>
<p>(I)</p>  <p>M8</p> <p>X4</p>	<p>(J)</p>  <p>M4</p> <p>X1</p>	<p>(K)</p>  <p>M5</p> <p>X1</p>	<p>(L)</p>  <p>M8</p> <p>X1</p>
<p>(M)</p>  <p>X1</p>	<p>(N)</p>  <p>X20</p>	<p>(O)</p>  <p>X20</p>	
<p>(R)</p>  <p>X1</p>	<p>(S)</p>  <p>X1</p>	<p>(T)</p>  <p>X1</p>	<p>(U)</p>  <p>X16</p>





5

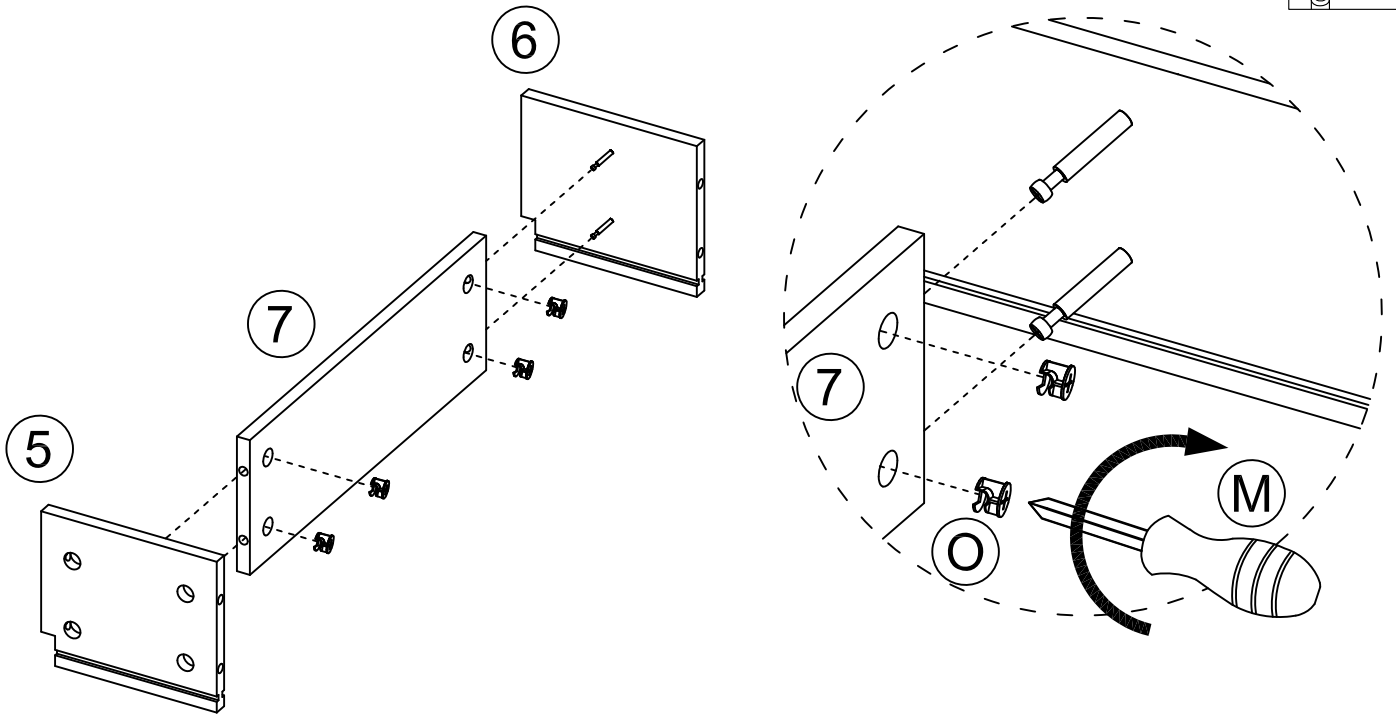
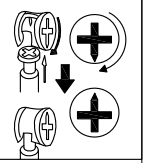




6



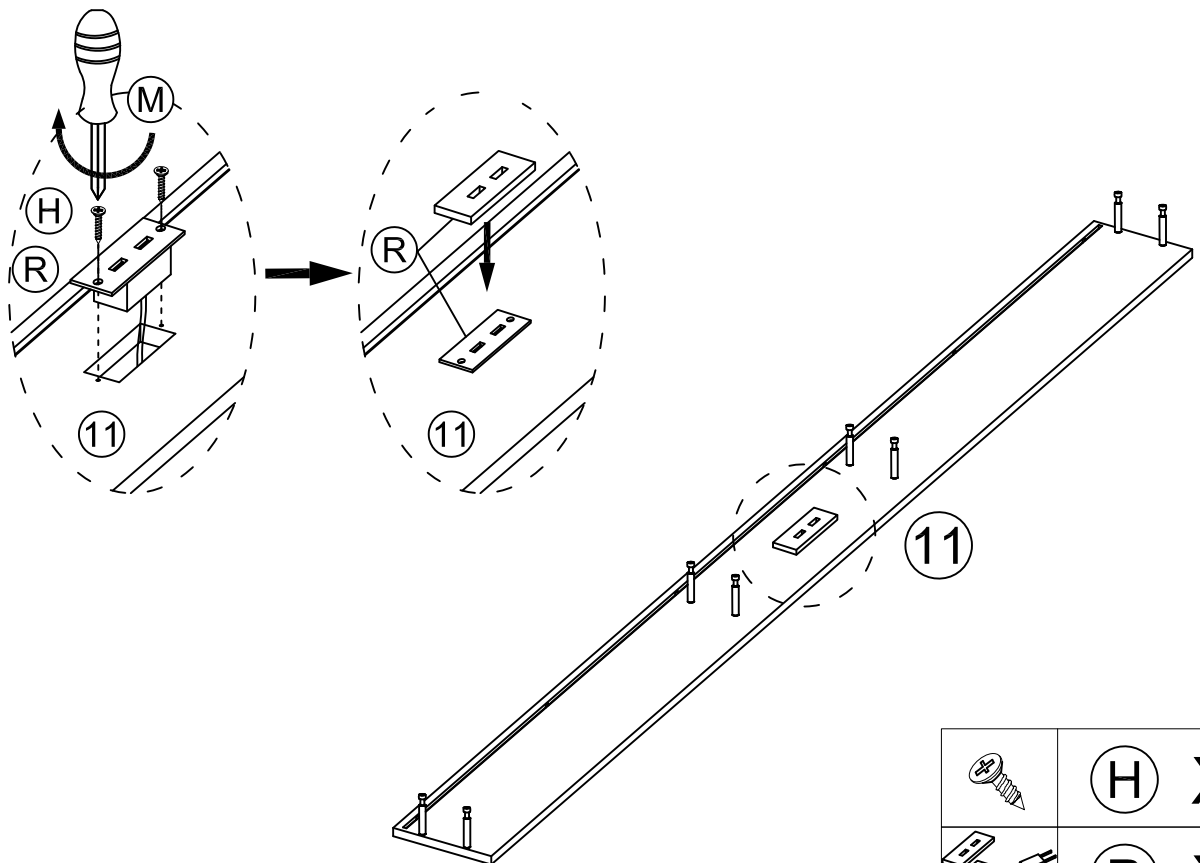
	(N) X20
	(M) X1



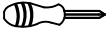
2



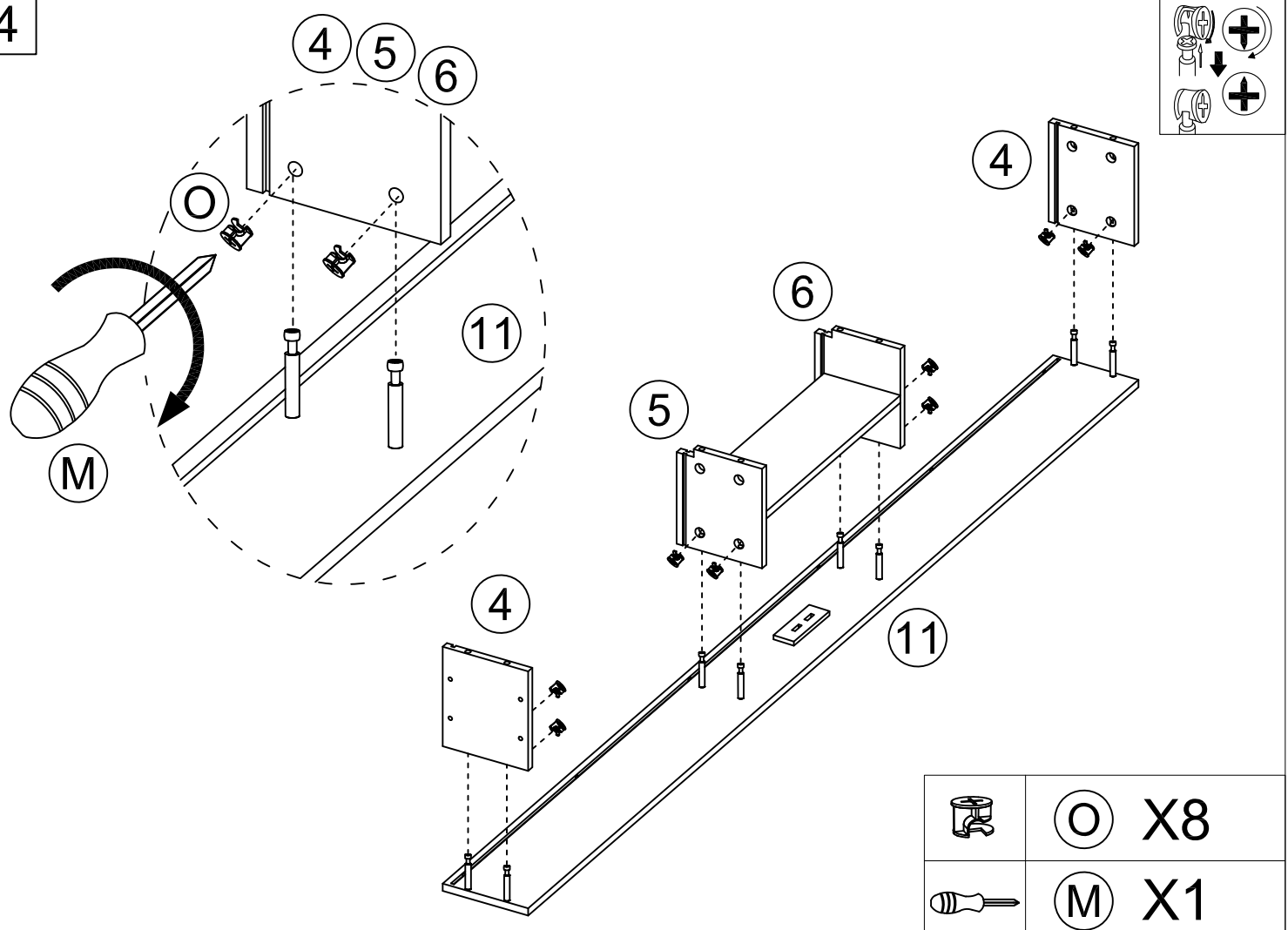
	O X4
	M X1

3

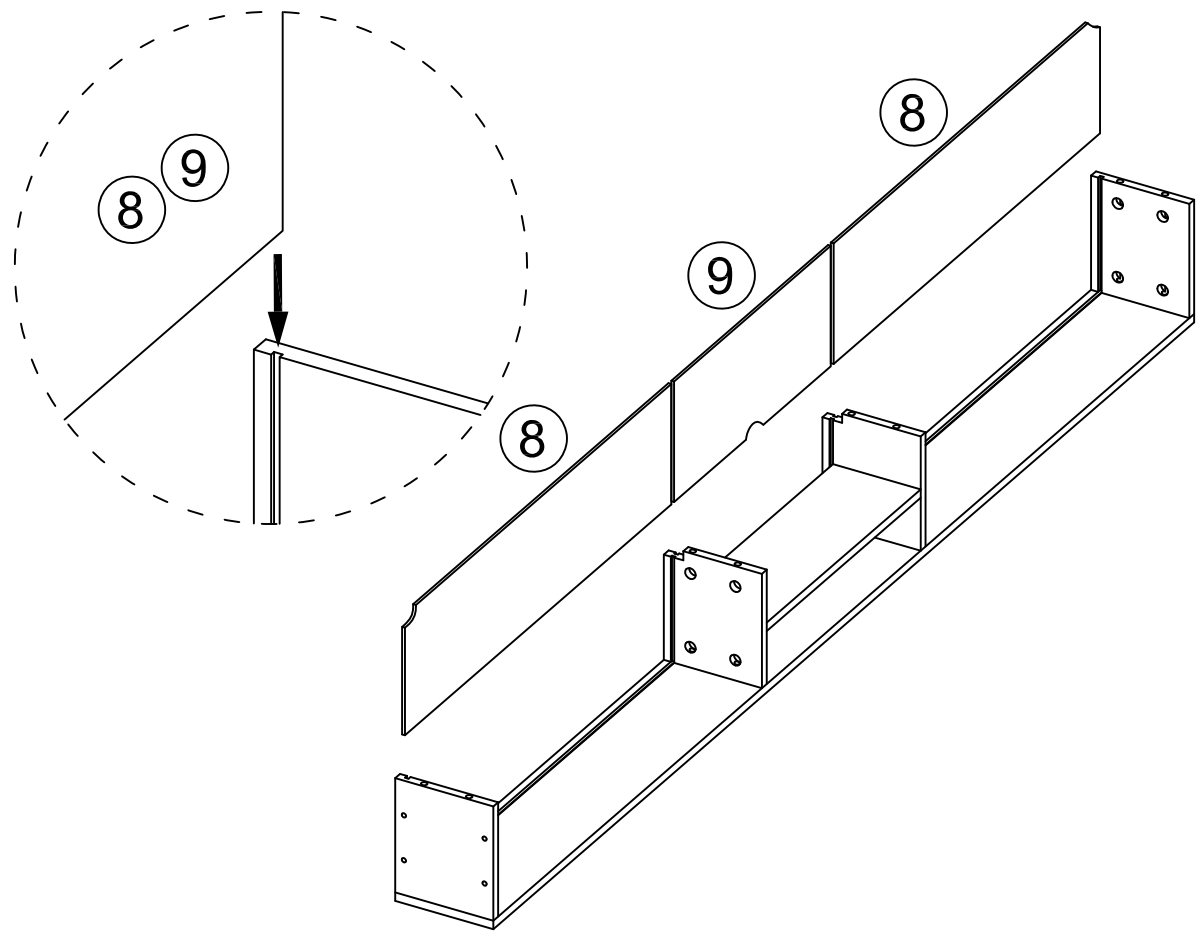


	H X2
	R X1
	M X1

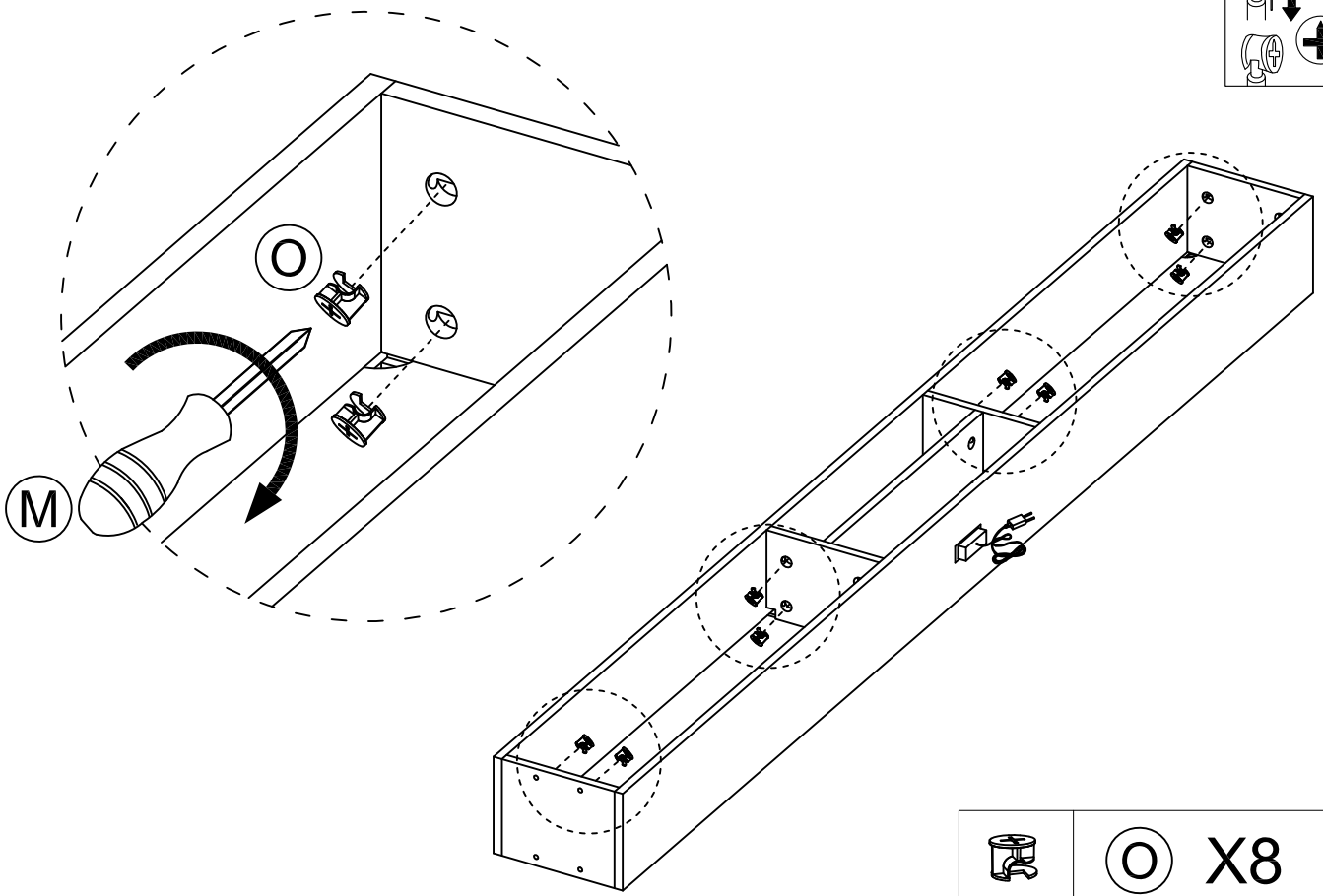
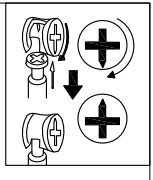
4


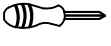


5

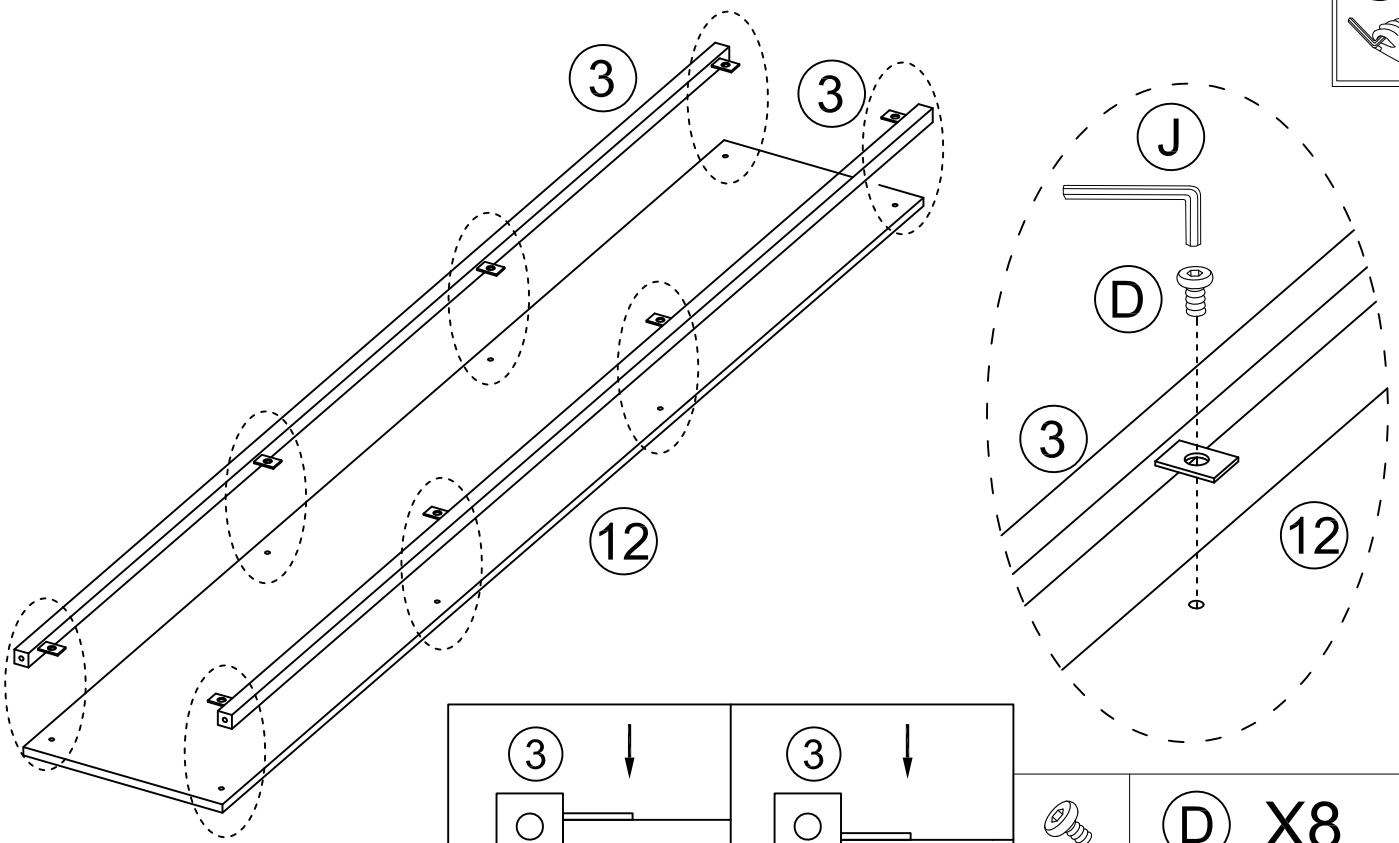


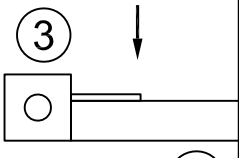
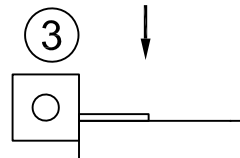




6



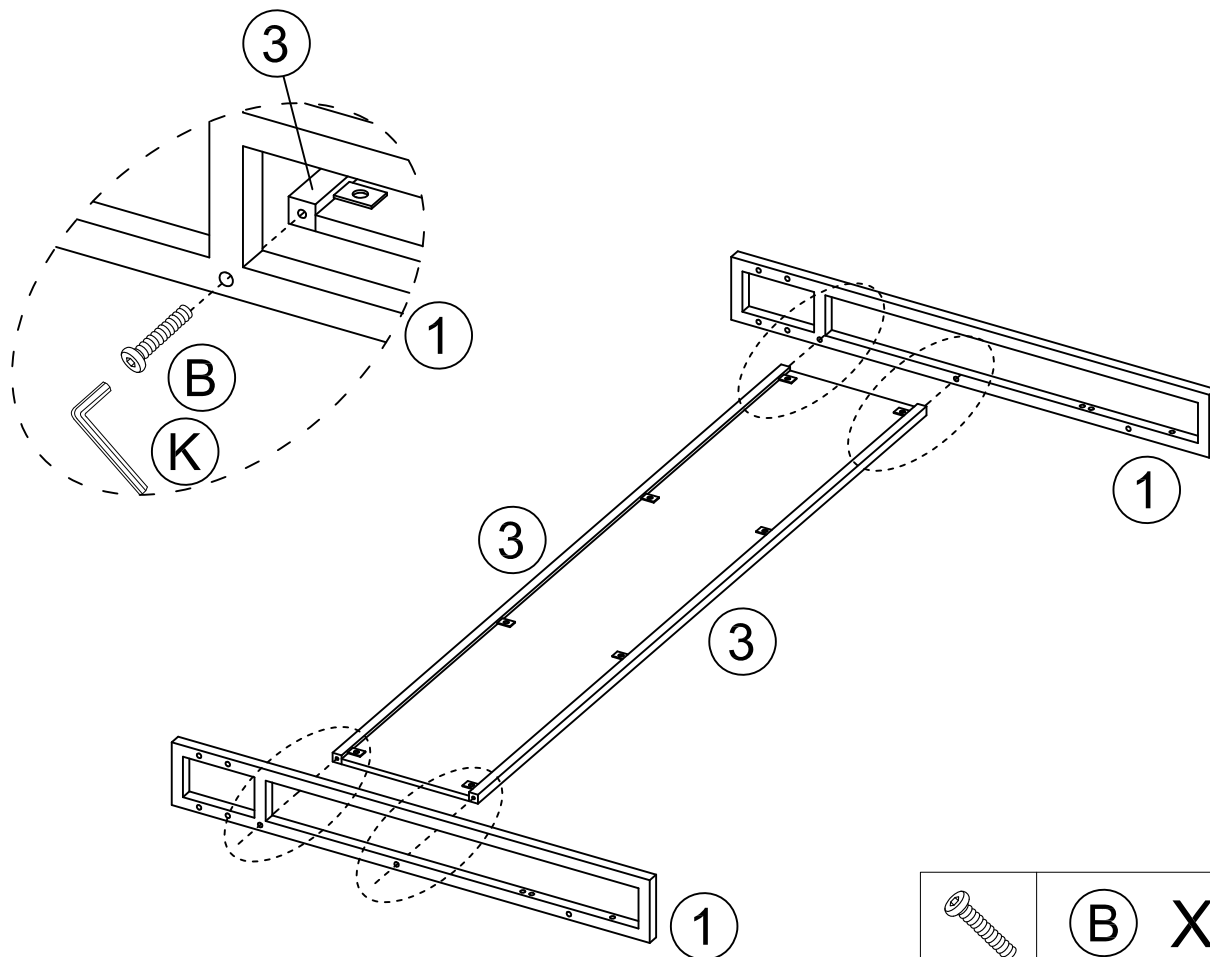
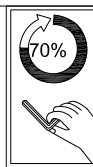
	O X8
	M X1



7



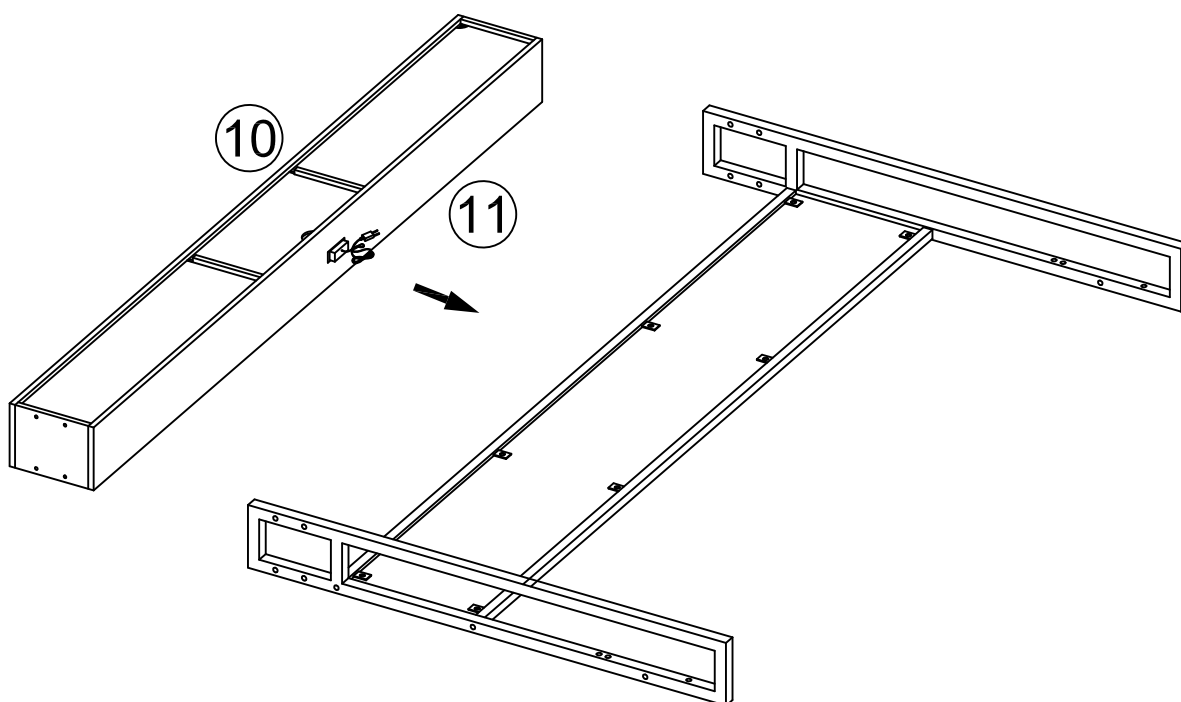
			D X8
			J X1

8

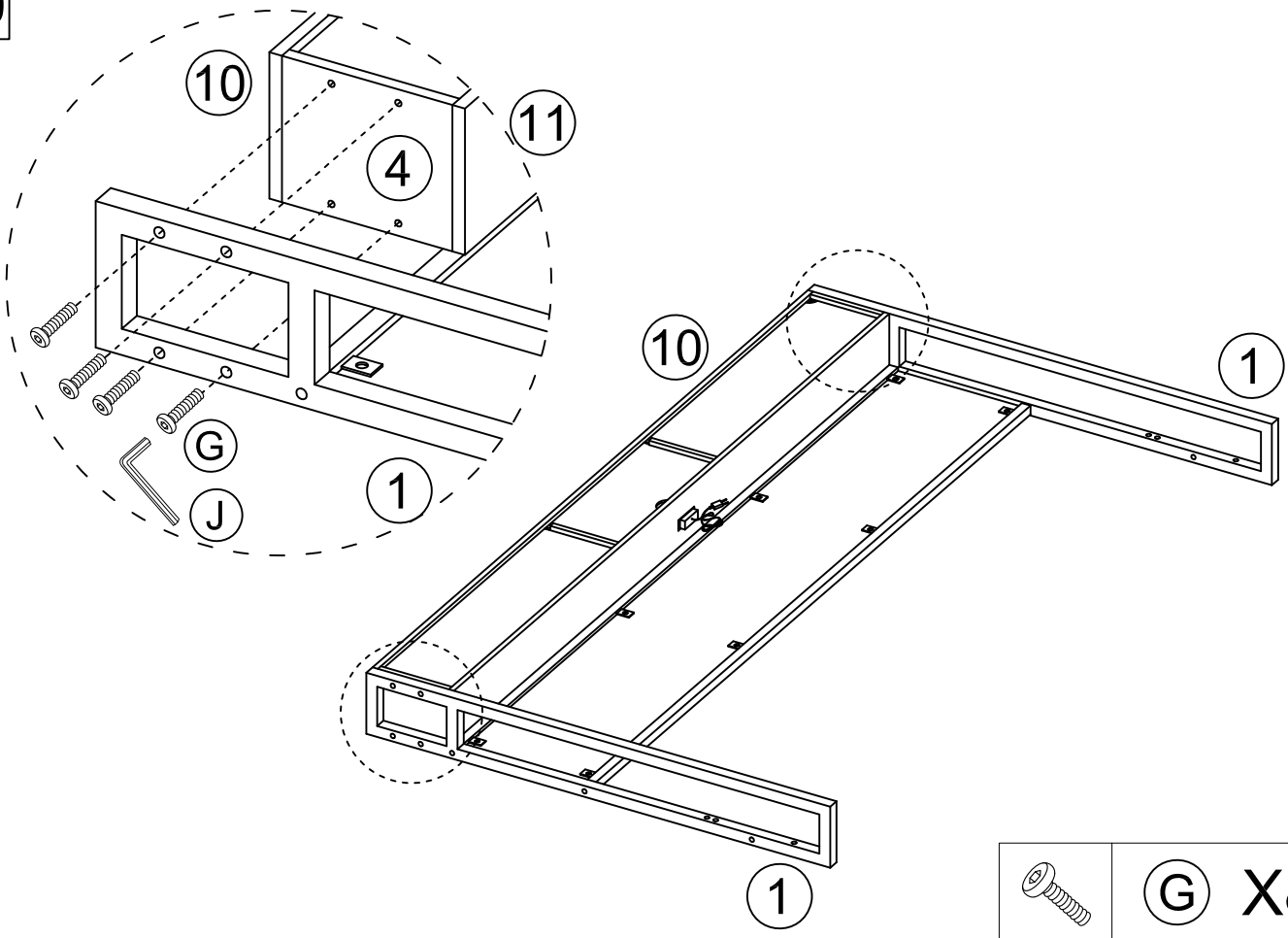
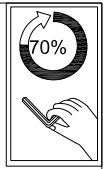


	B X4
	K X1

9

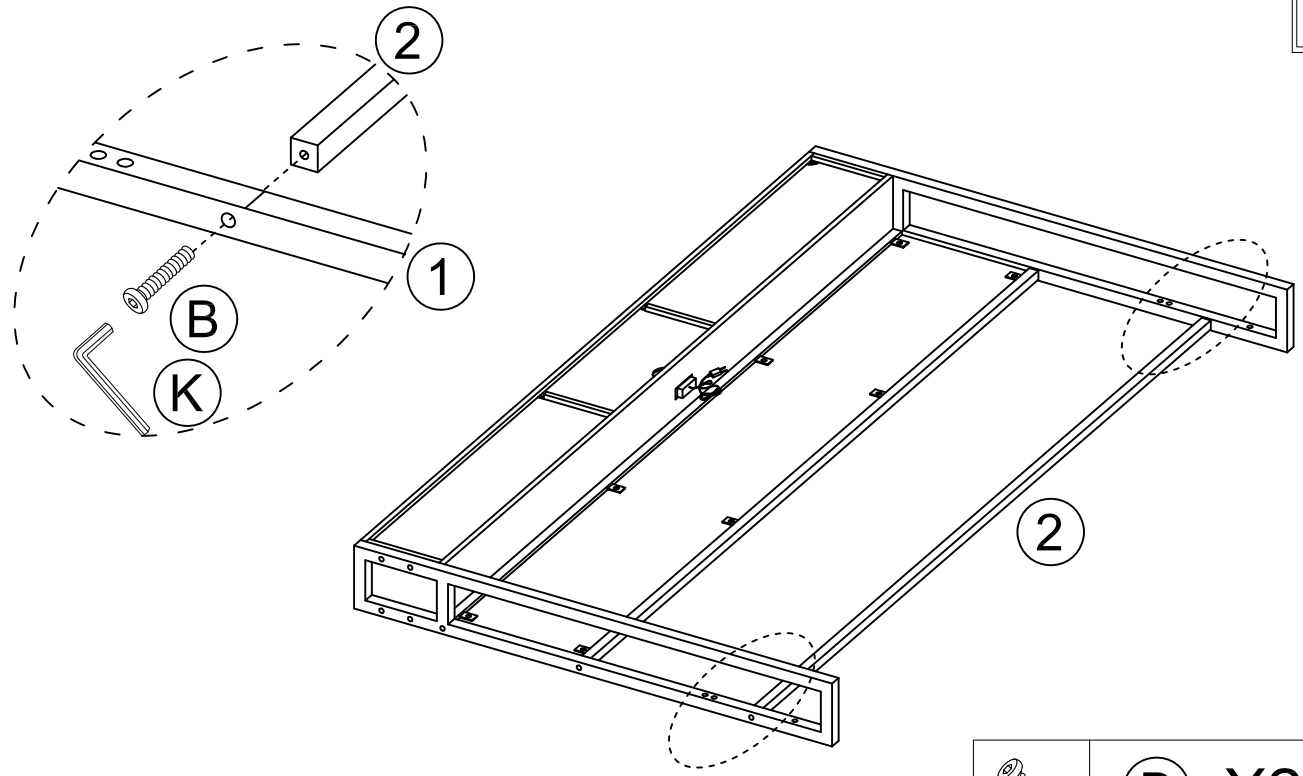


10



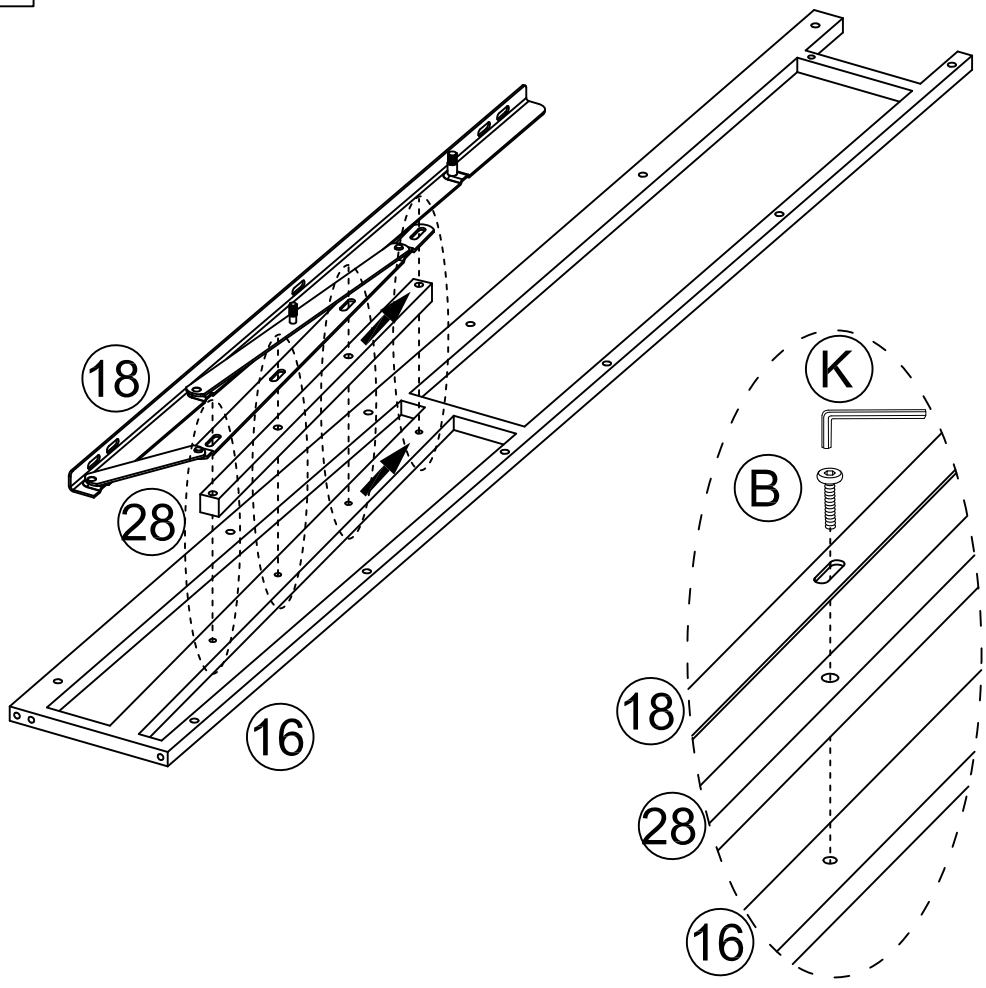
	G X8
	J X1

11



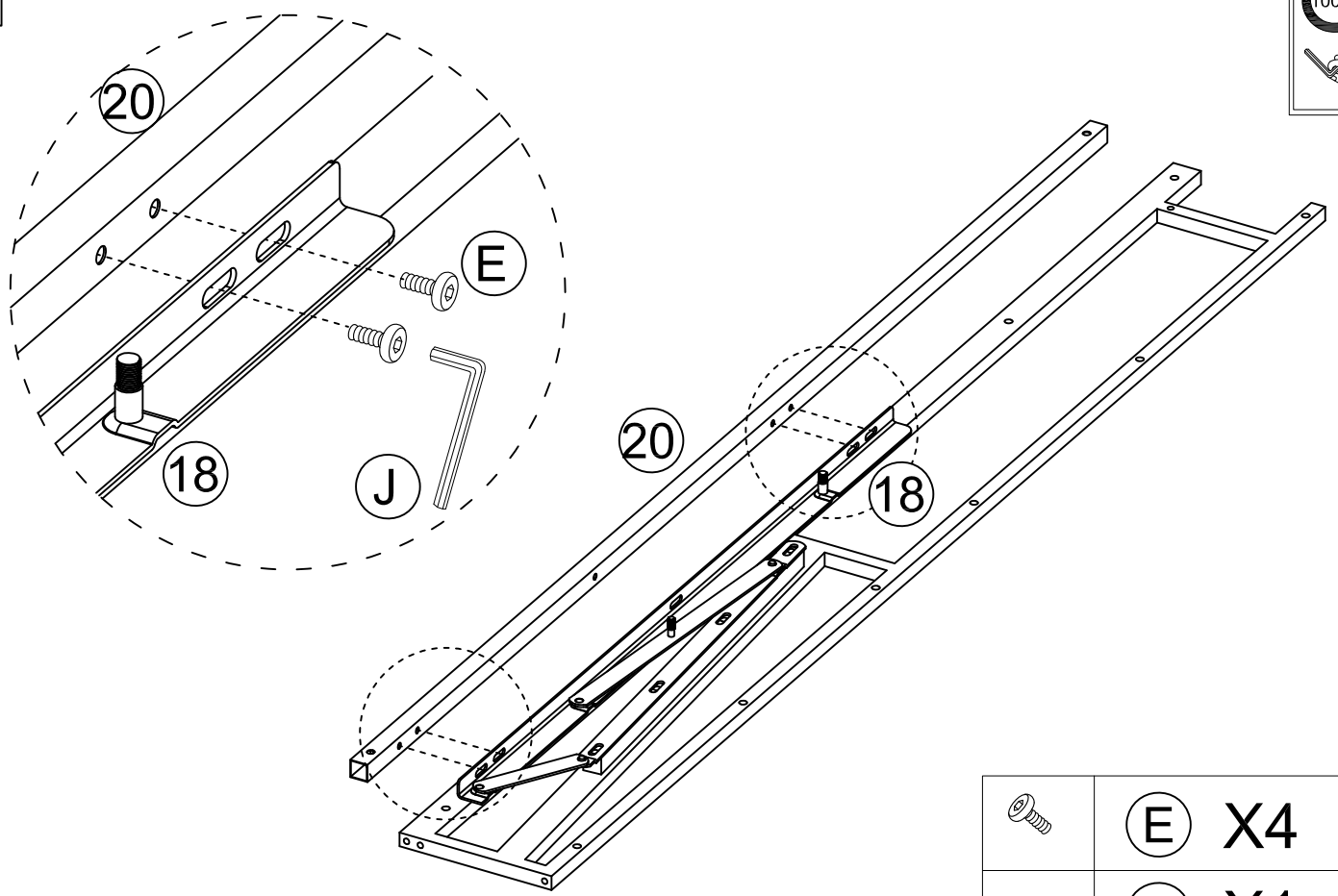
	B X2
	K X1

12



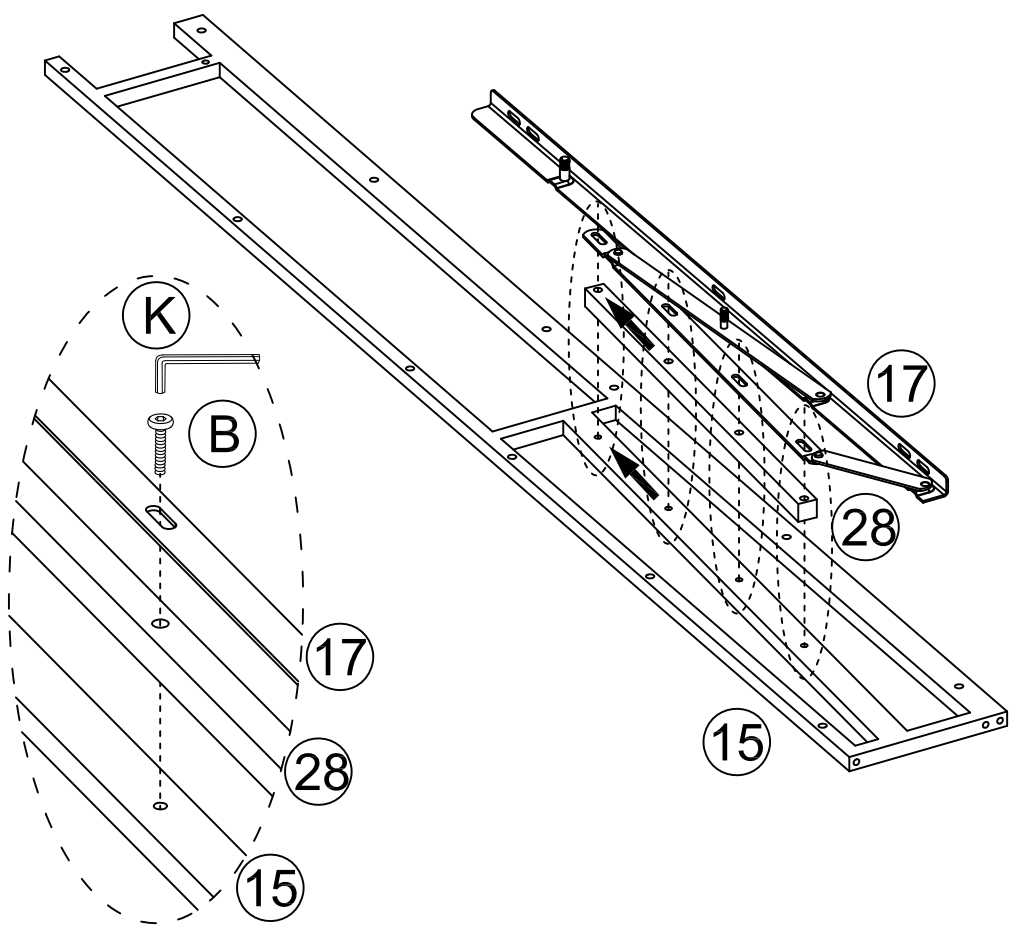
	(B) X4
	(K) X1

13



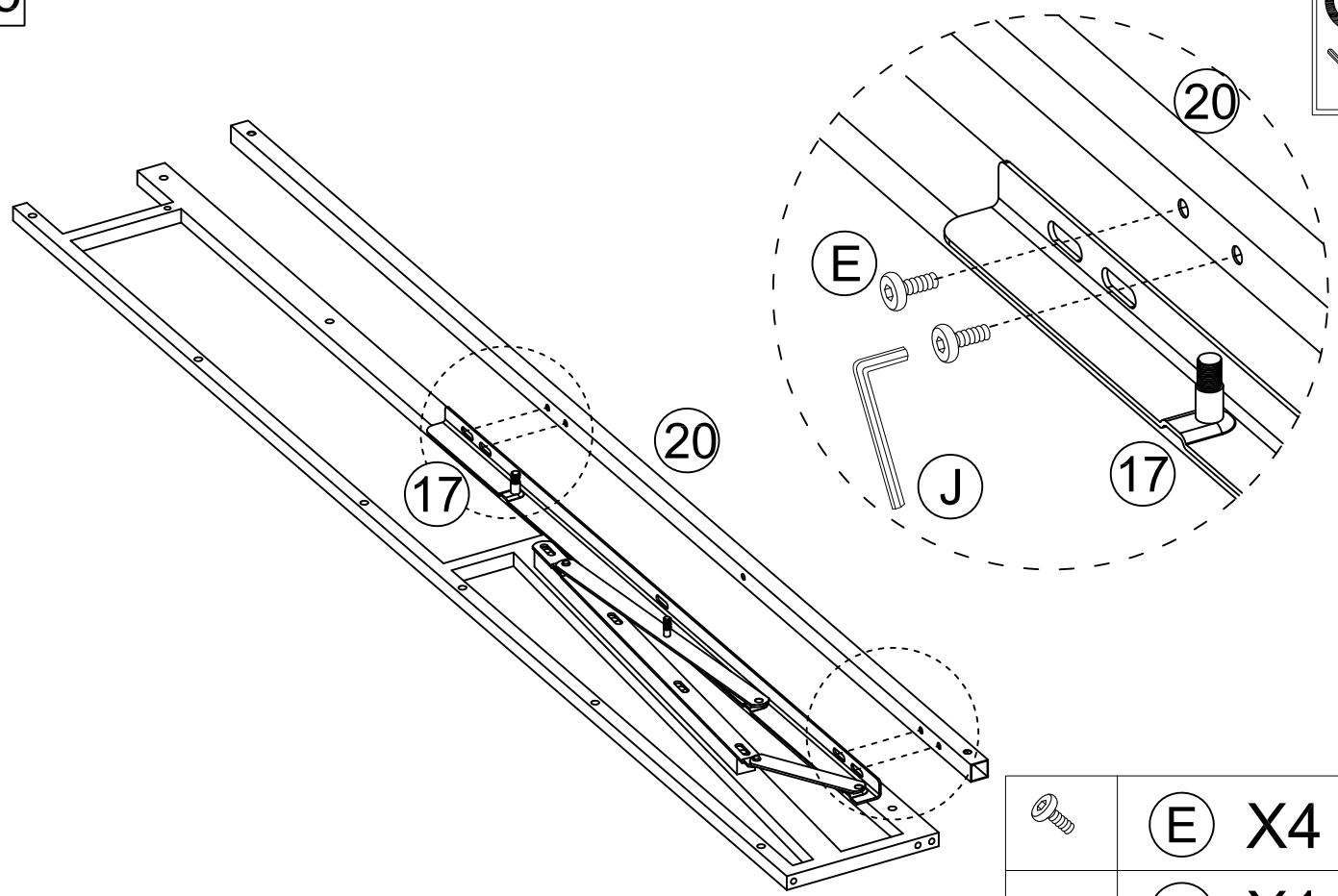
	(E) X4
	(J) X1

14



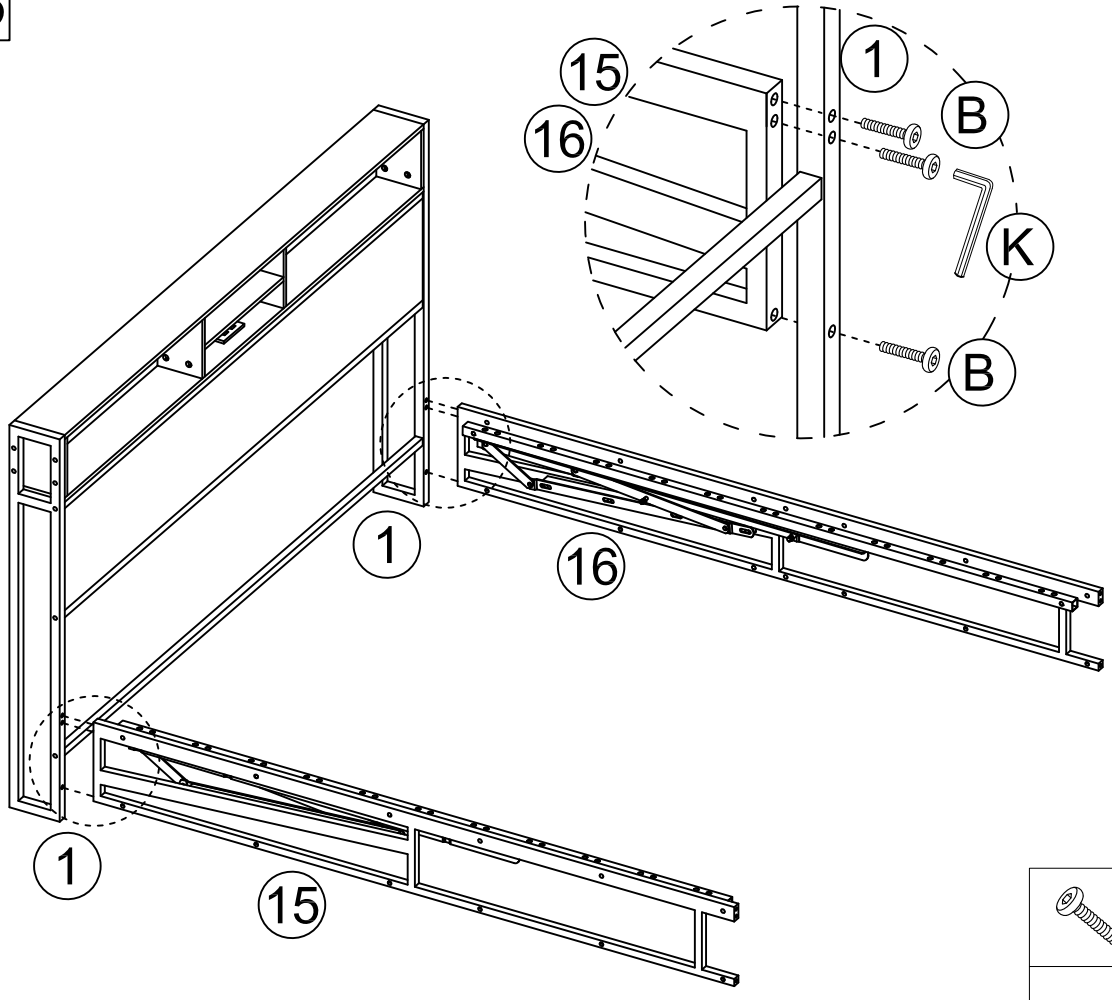
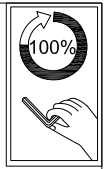
	(B) X4
	(K) X1



15



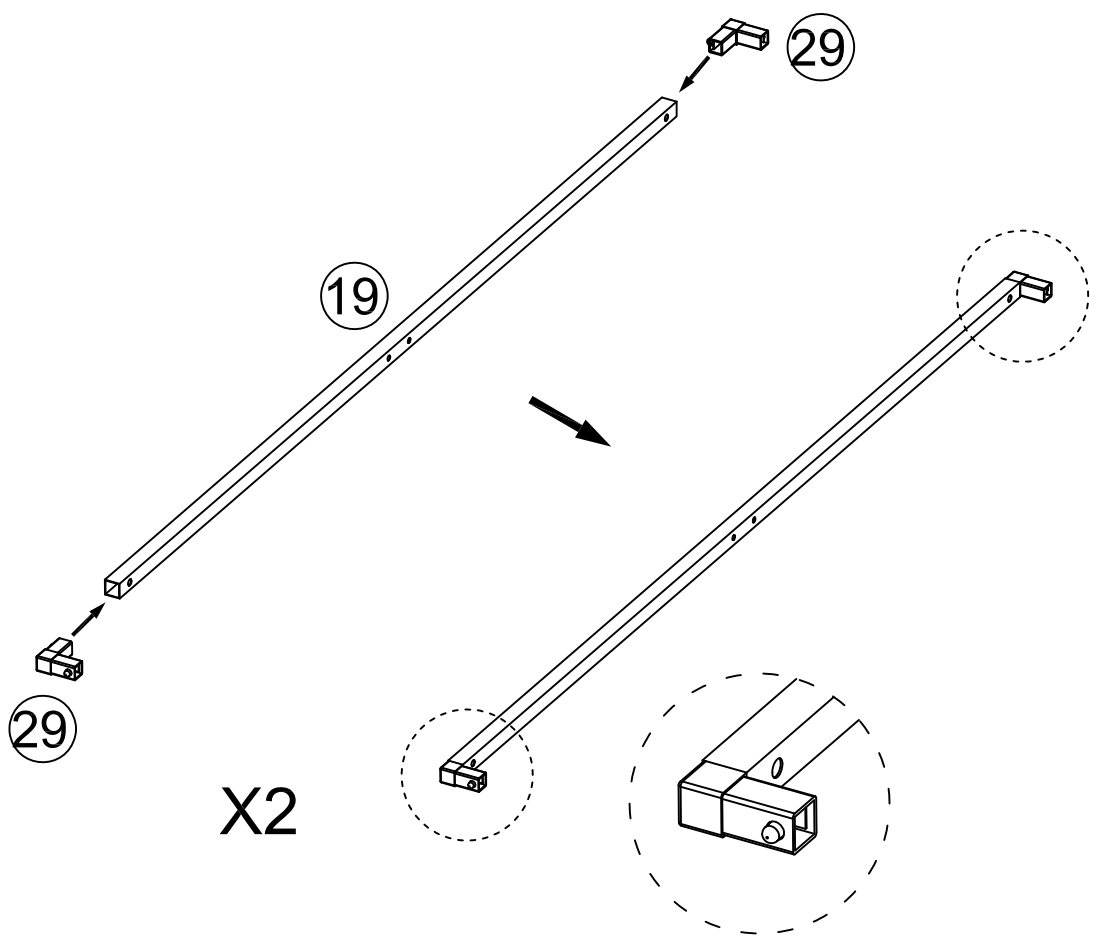
	(E) X4
	(J) X1

16

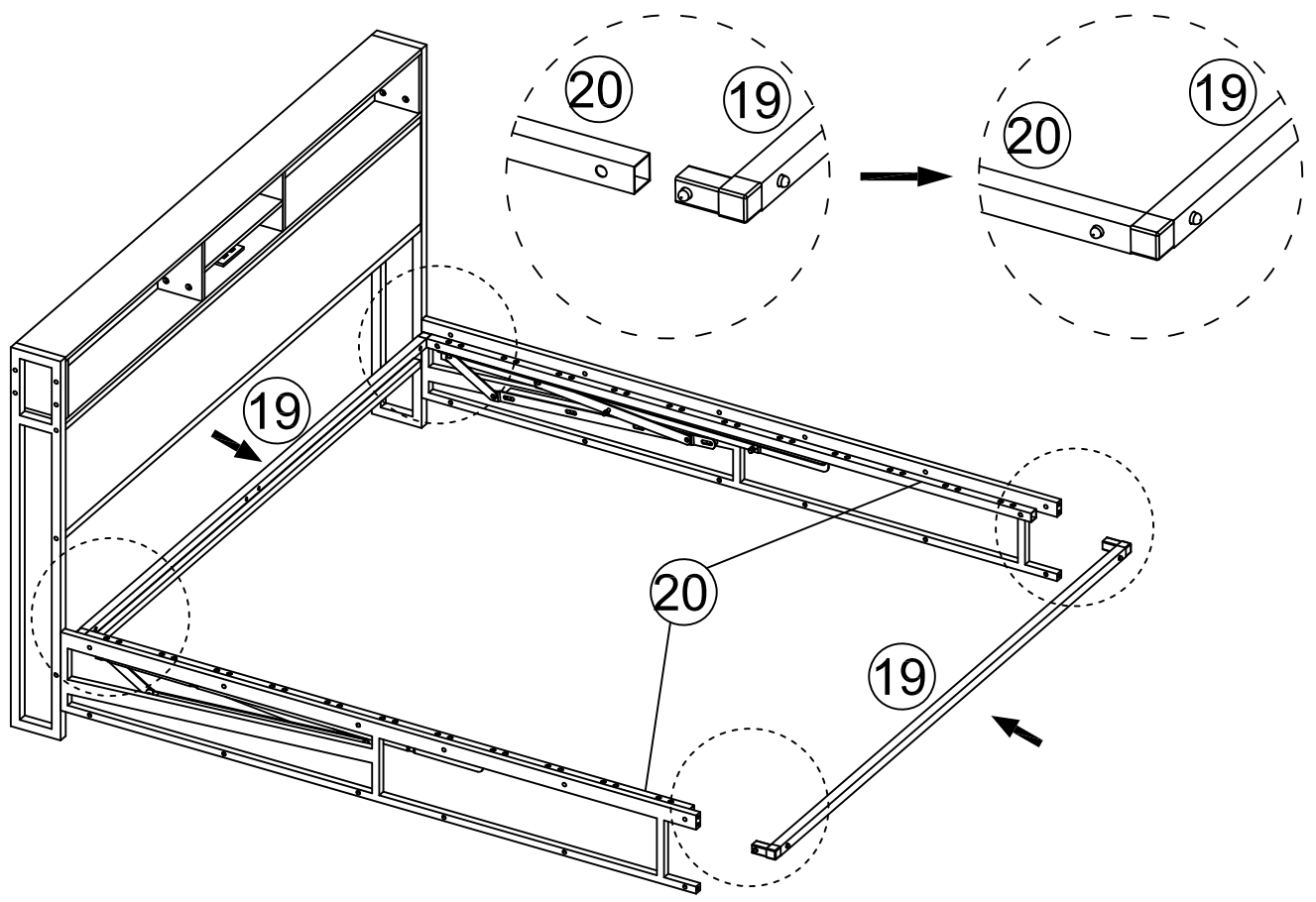


	(B) X6
	(K) X1

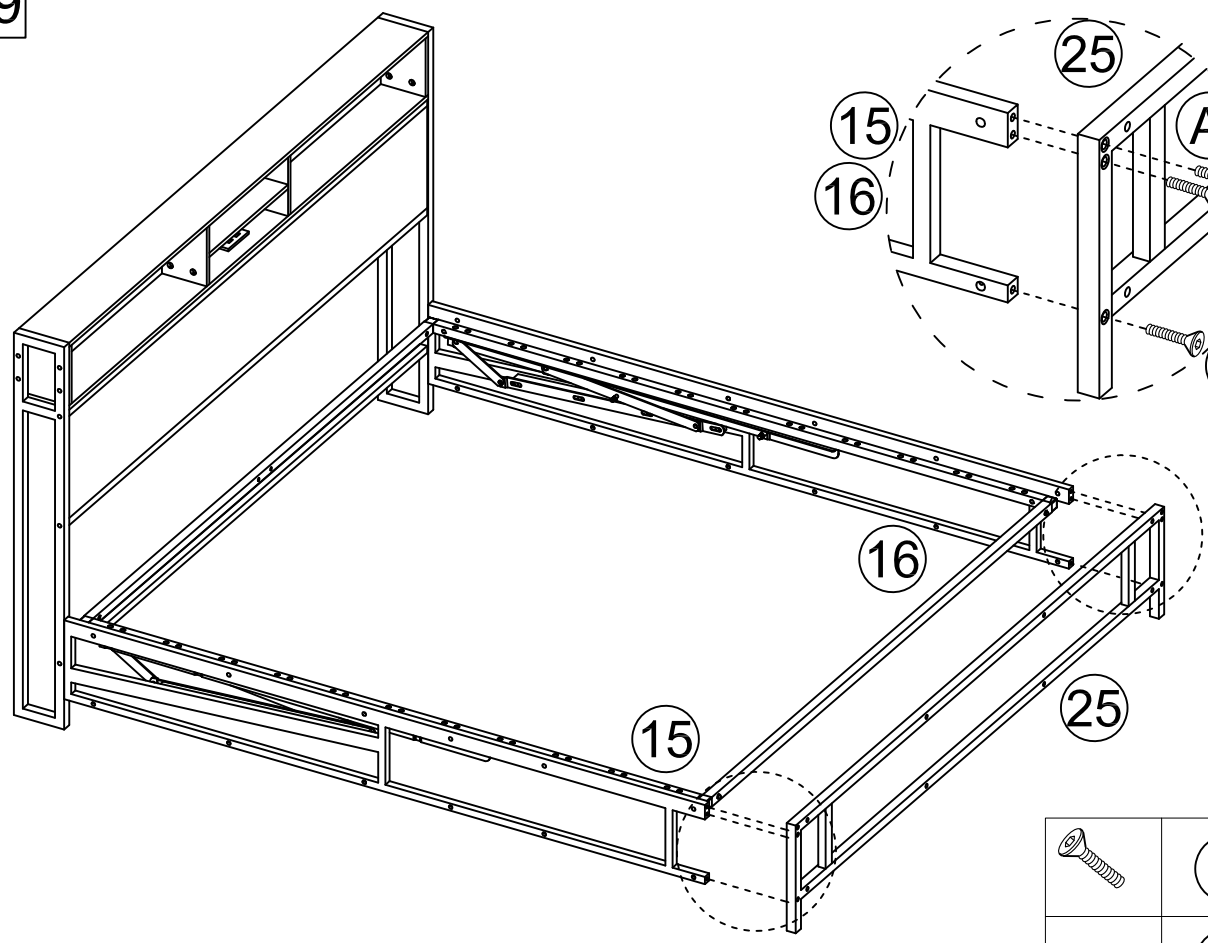
17





18

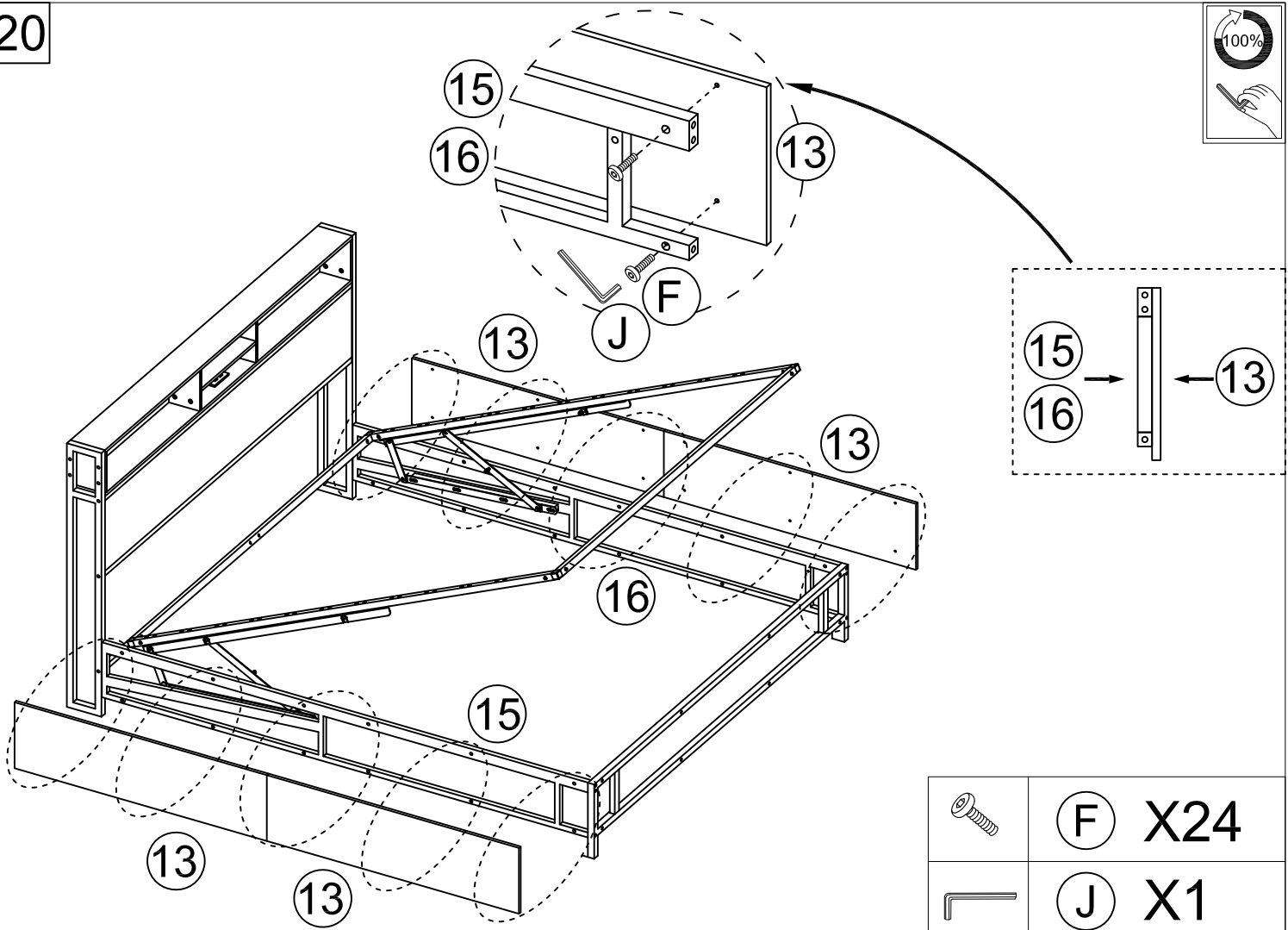




19



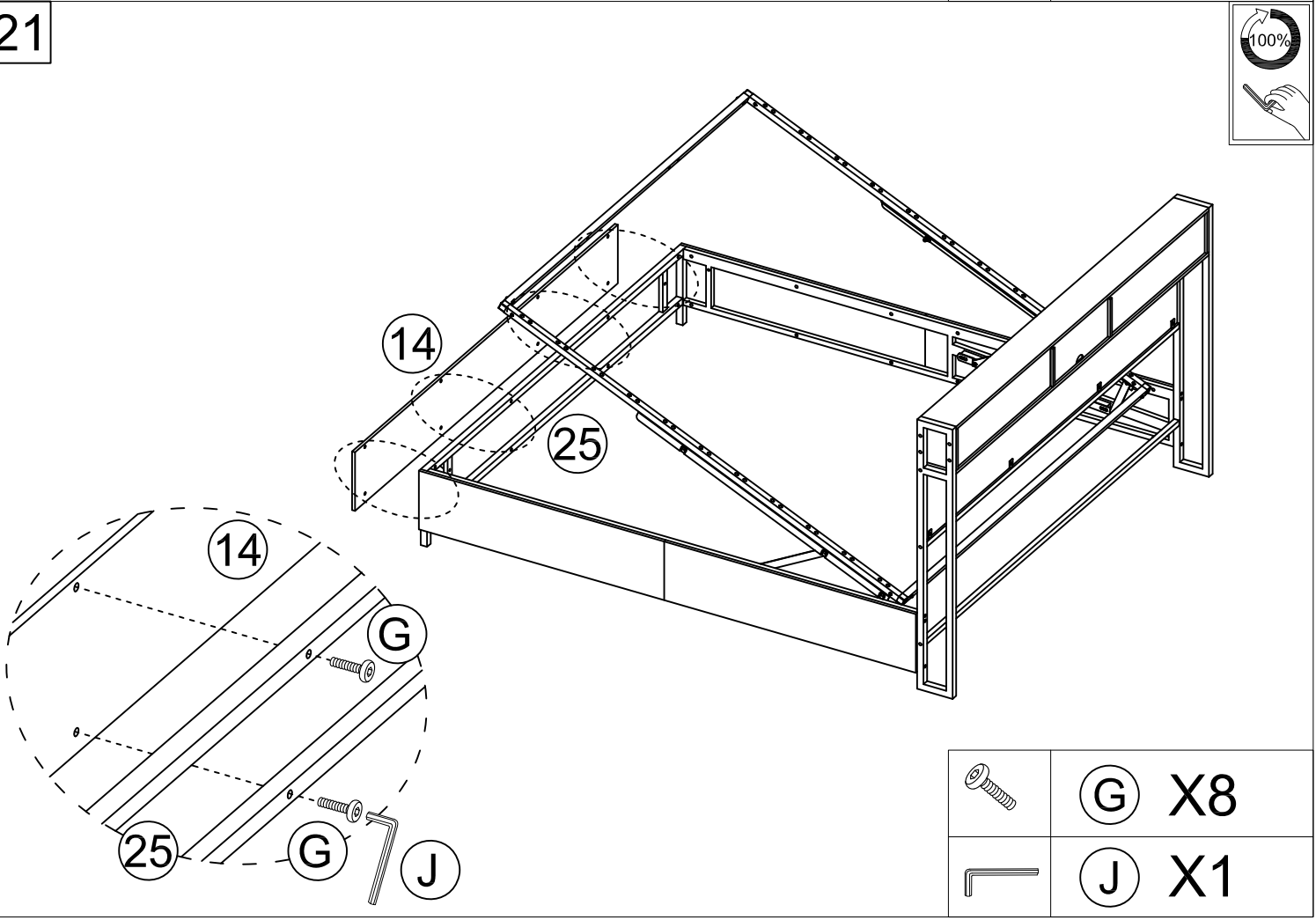
	A X6
	K X1



20



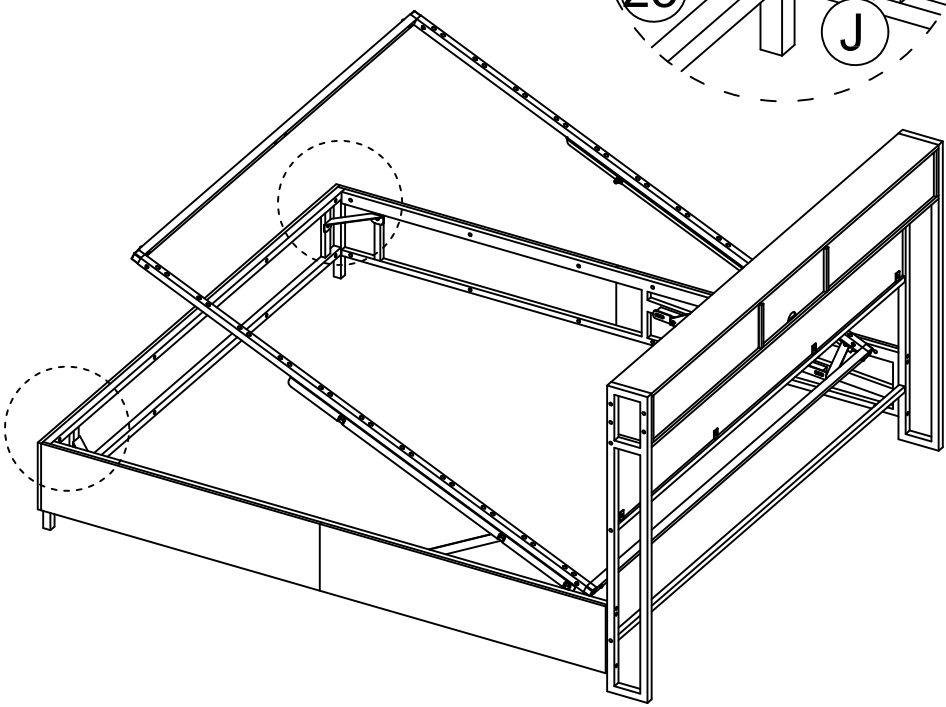
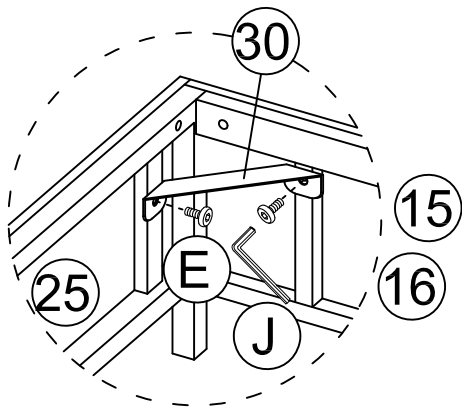
	F X24
	J X1



21



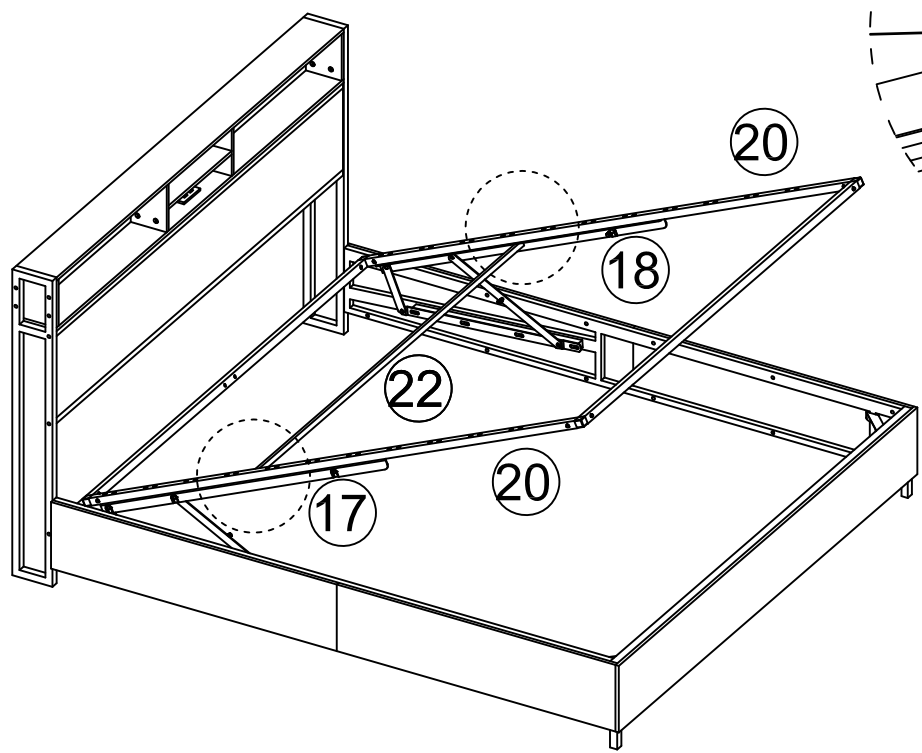
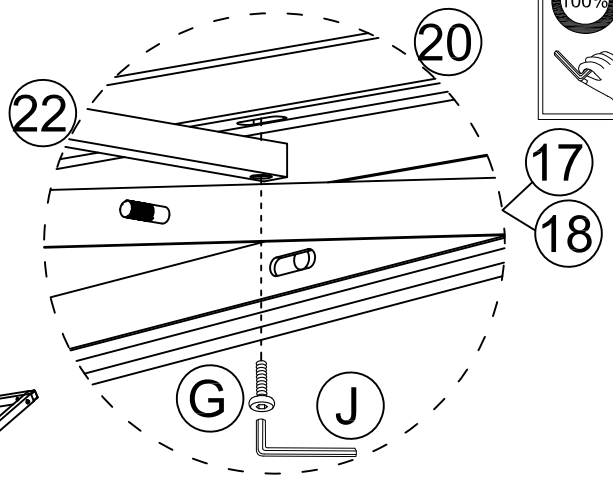
	G X8
	J X1



22



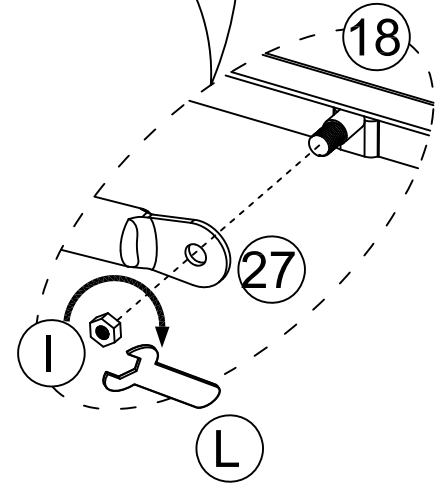
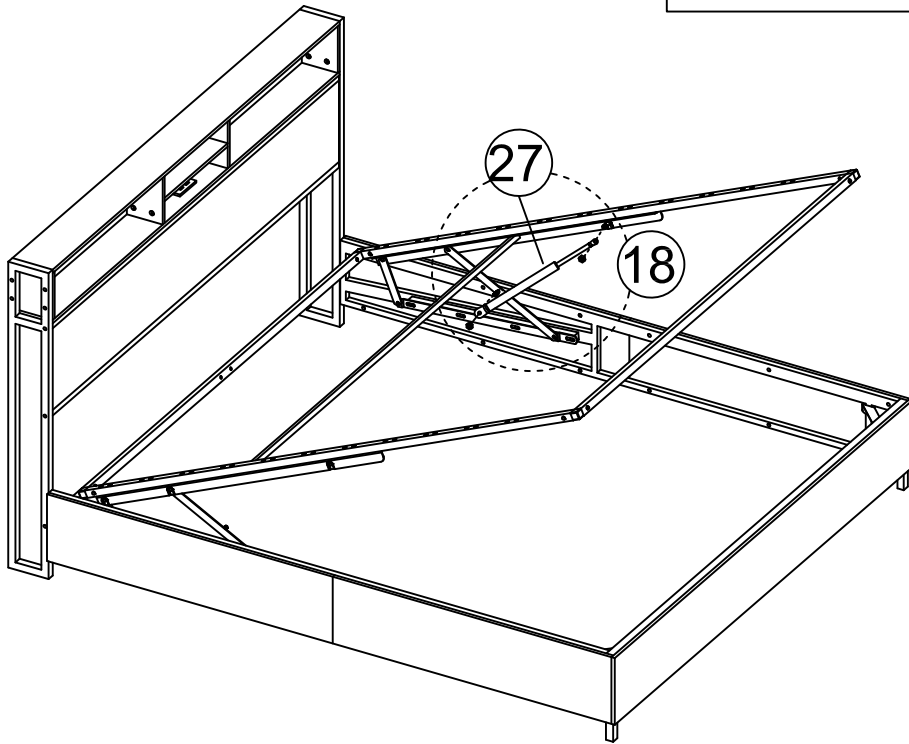
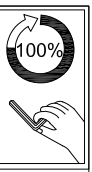
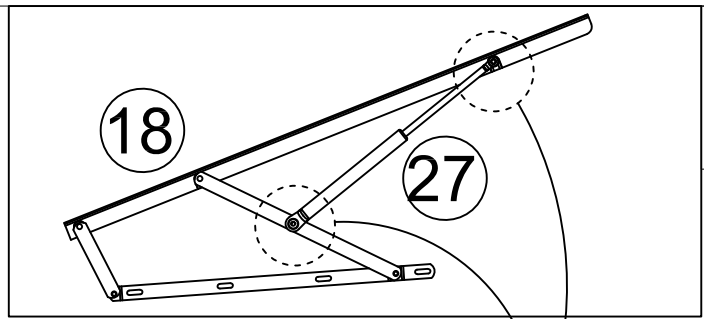
	E X4
	J X1



23



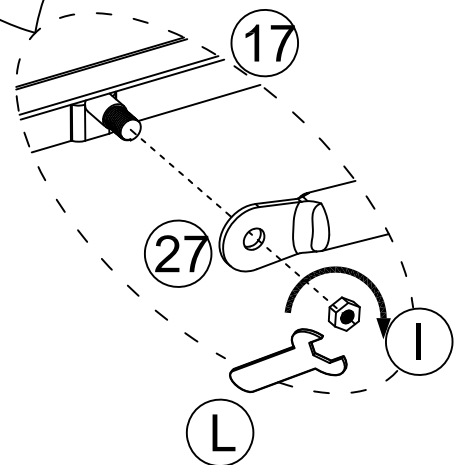
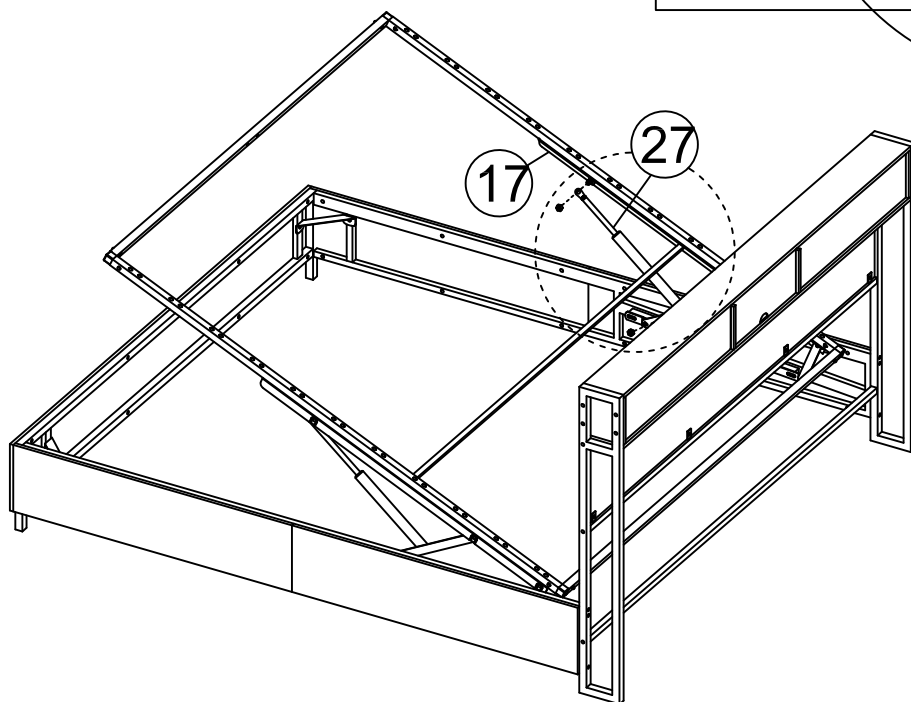
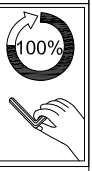
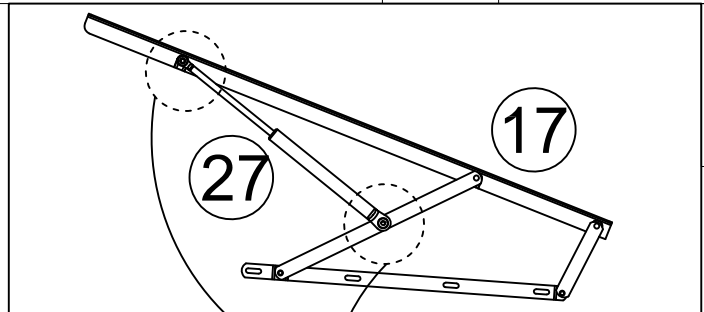
	G X2
	J X1



24



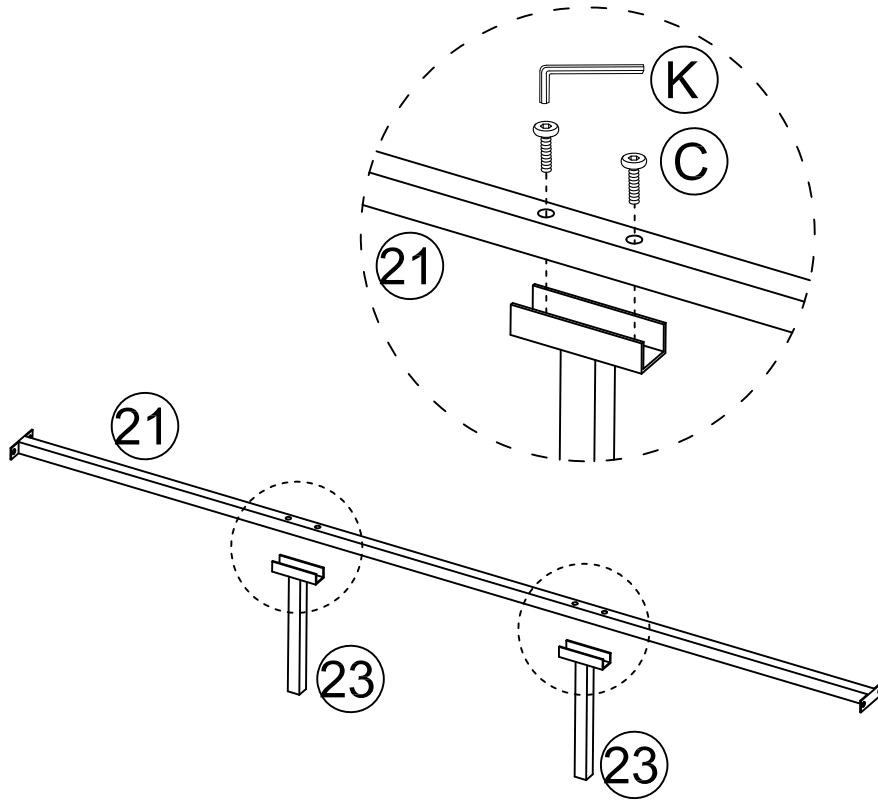
	(I) X2
	(L) X1



25



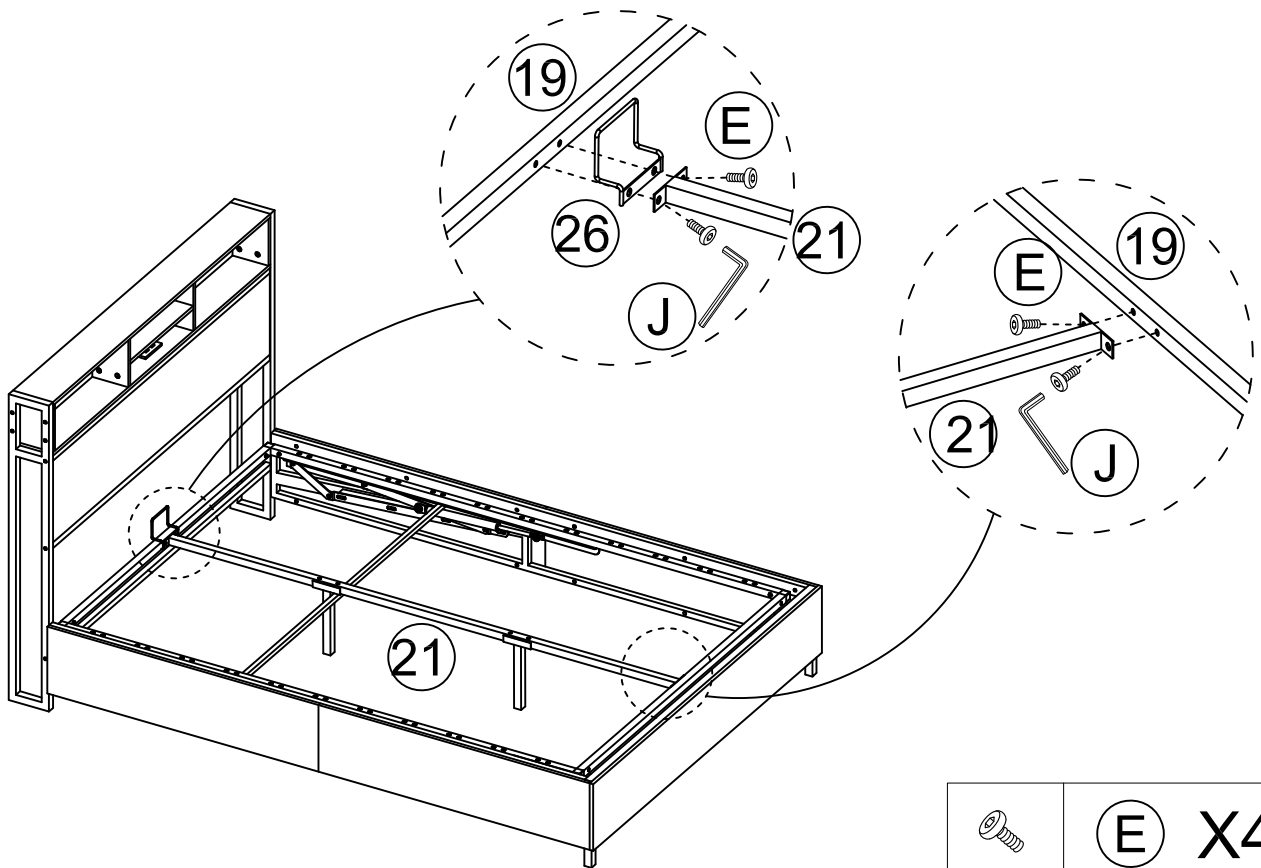
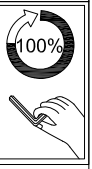
	(I) X2
	(L) X1



26



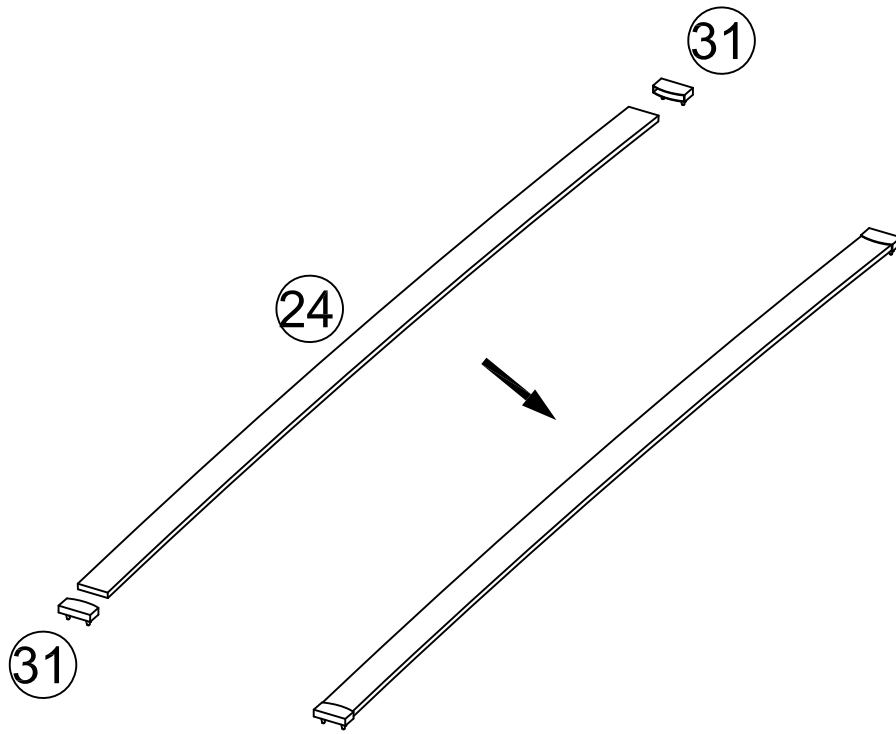
	(C) X4
	(K) X1

27



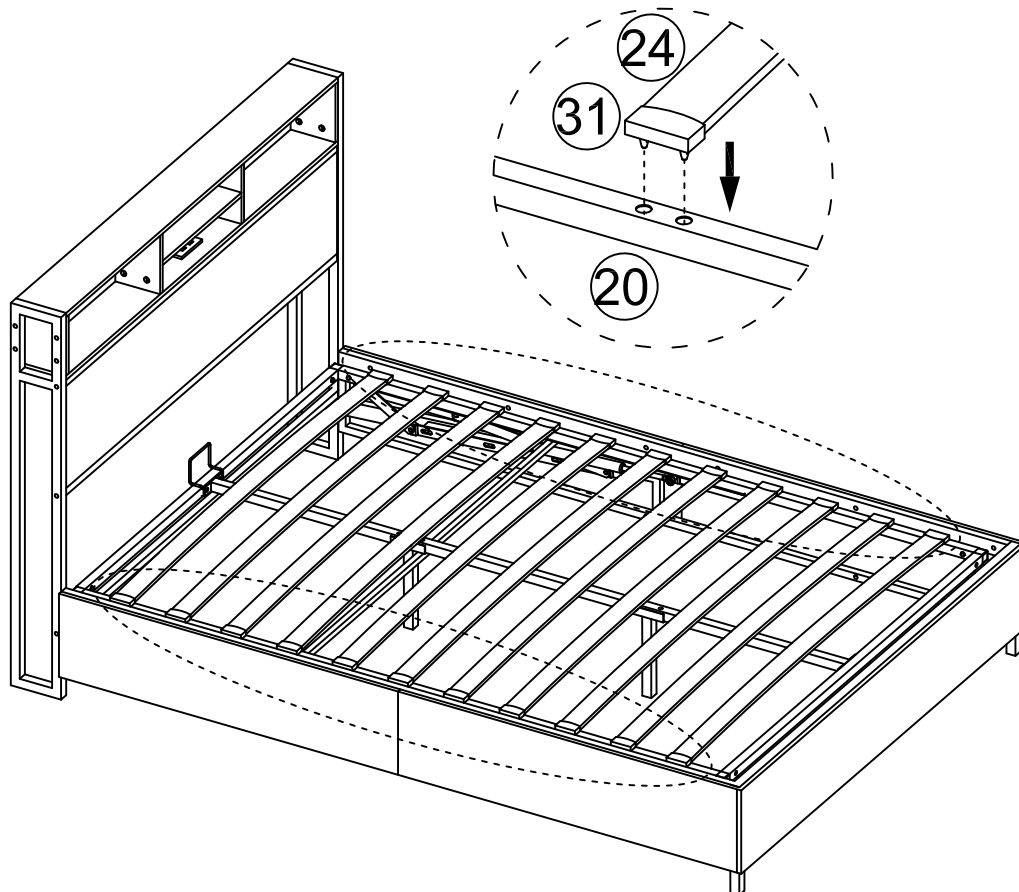
	(E) X4
	(J) X1

28

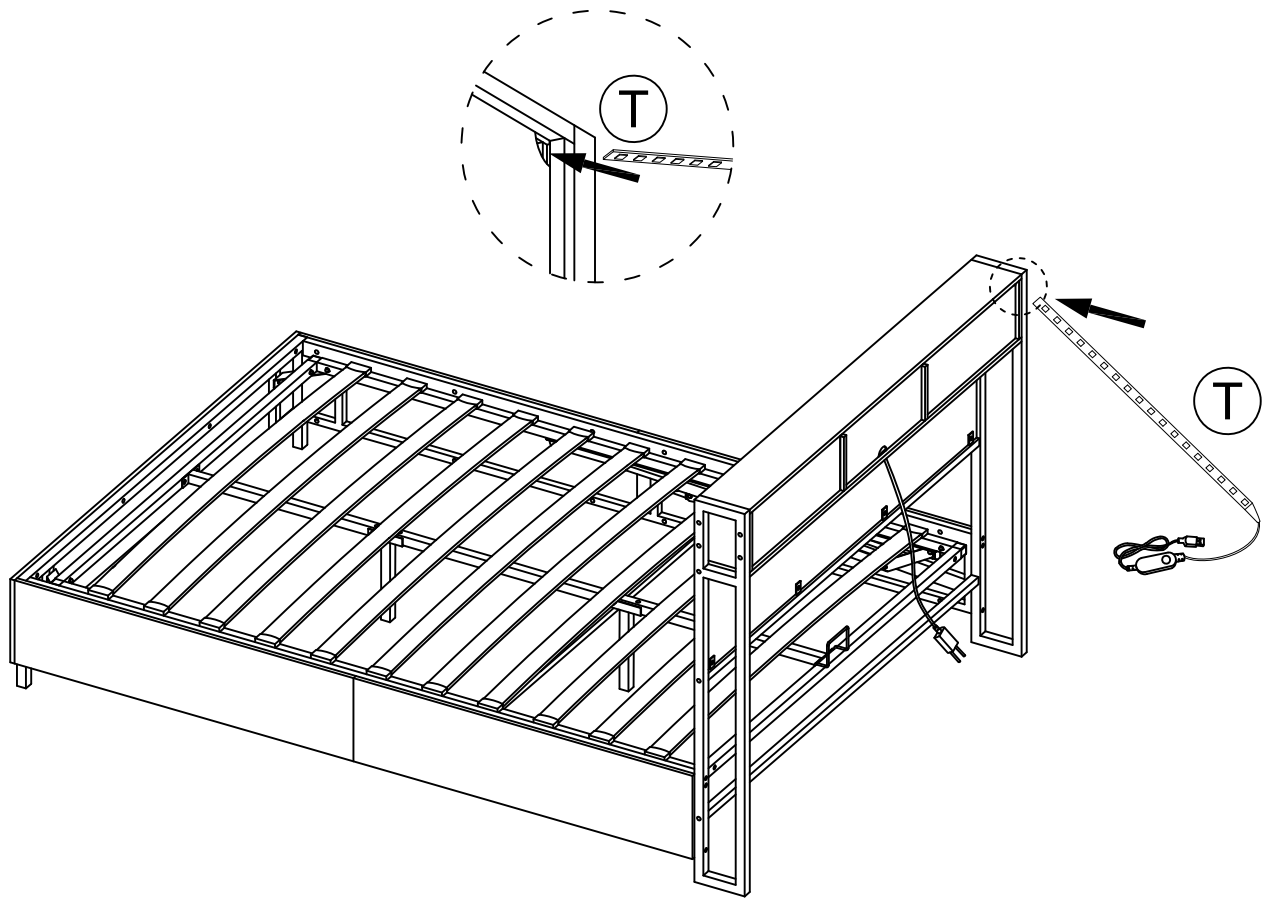



X11

29

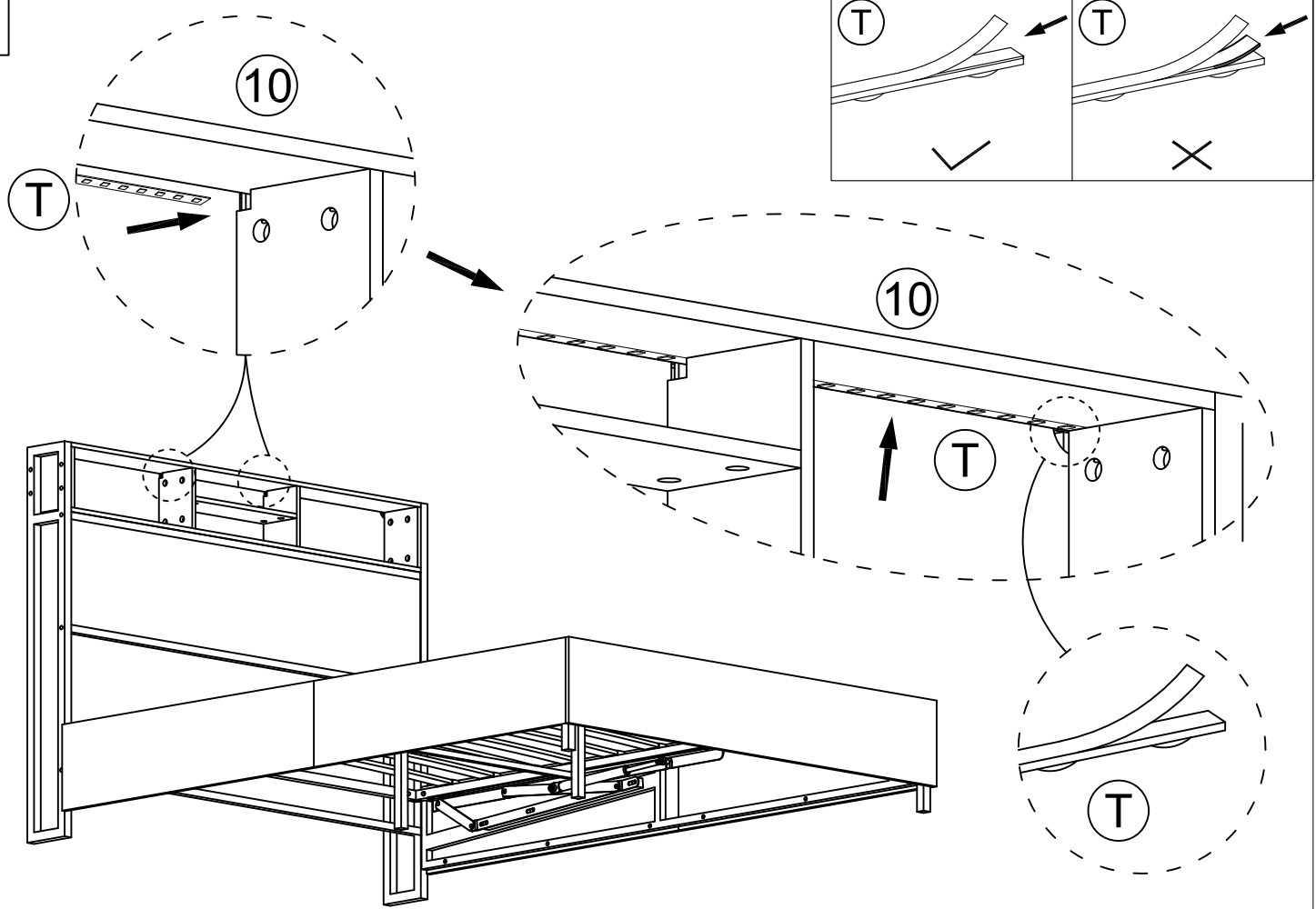


30

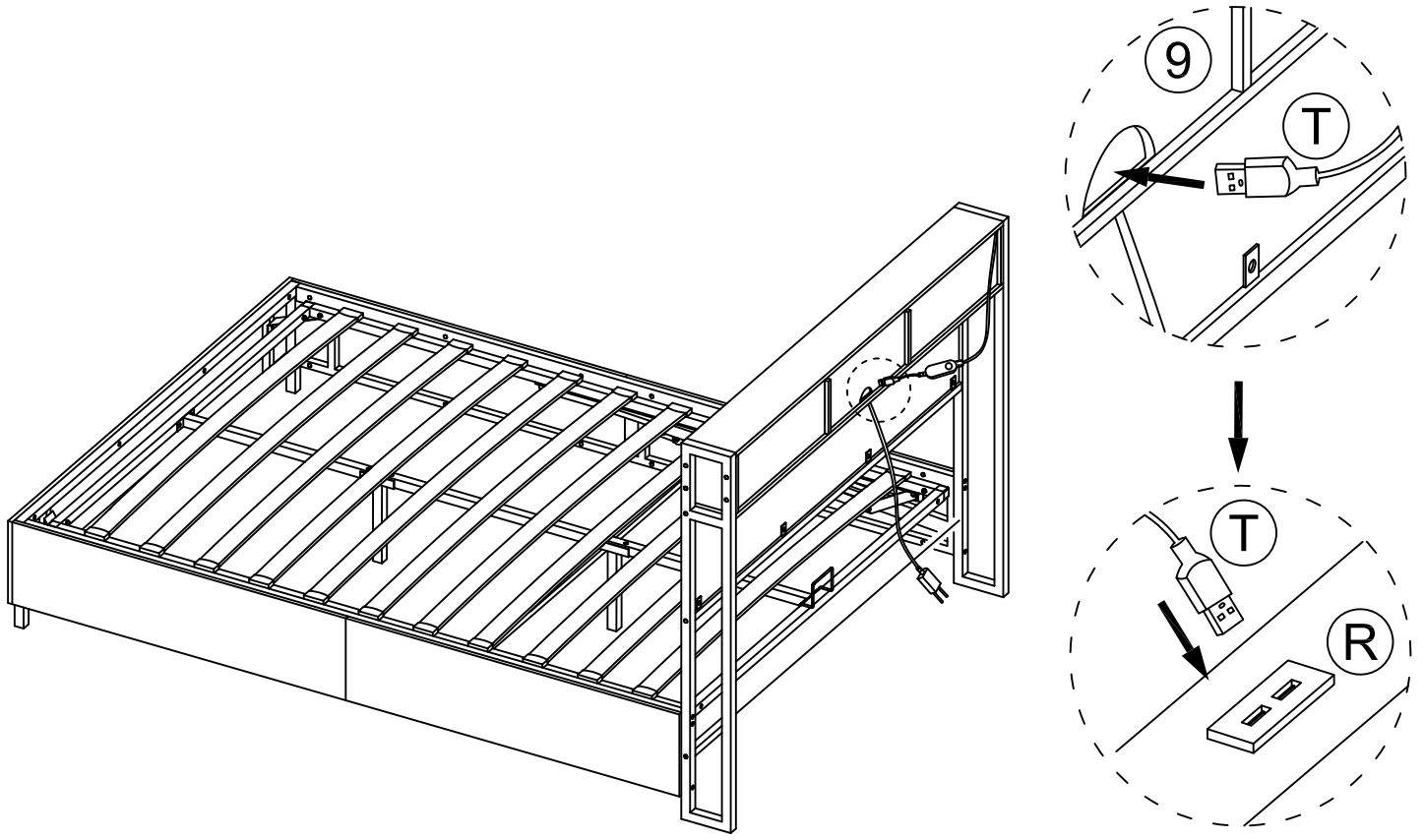


 **T X1**

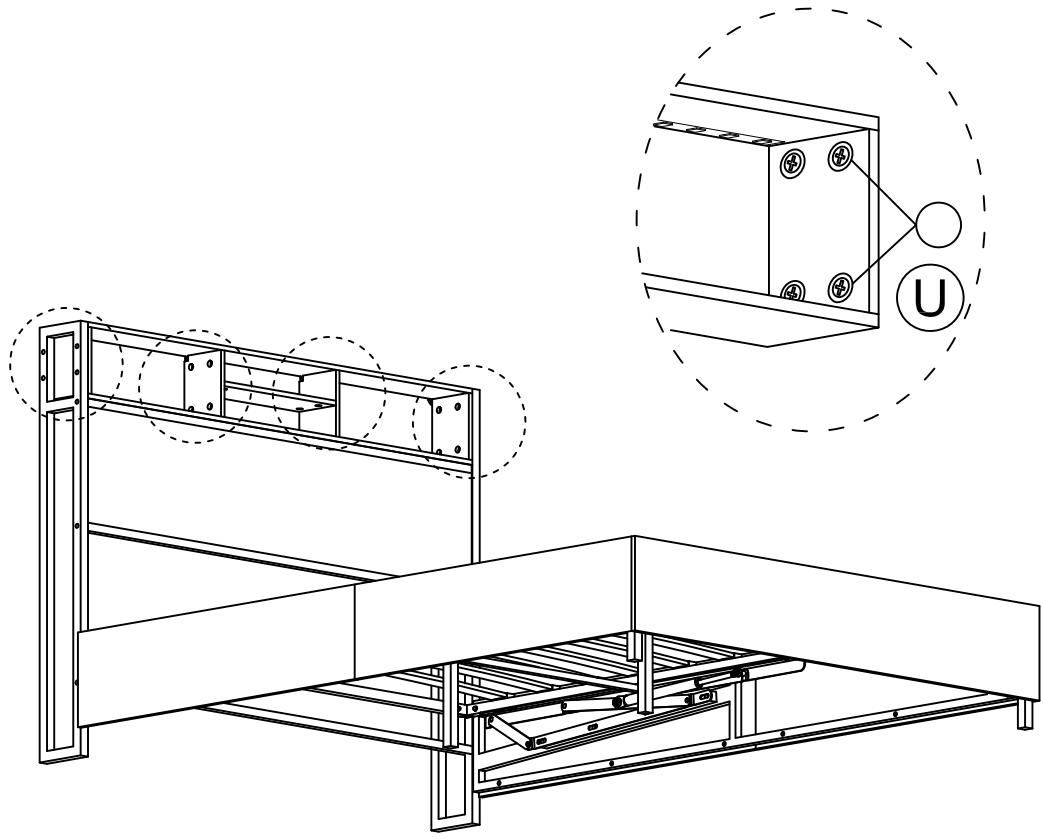
31



32

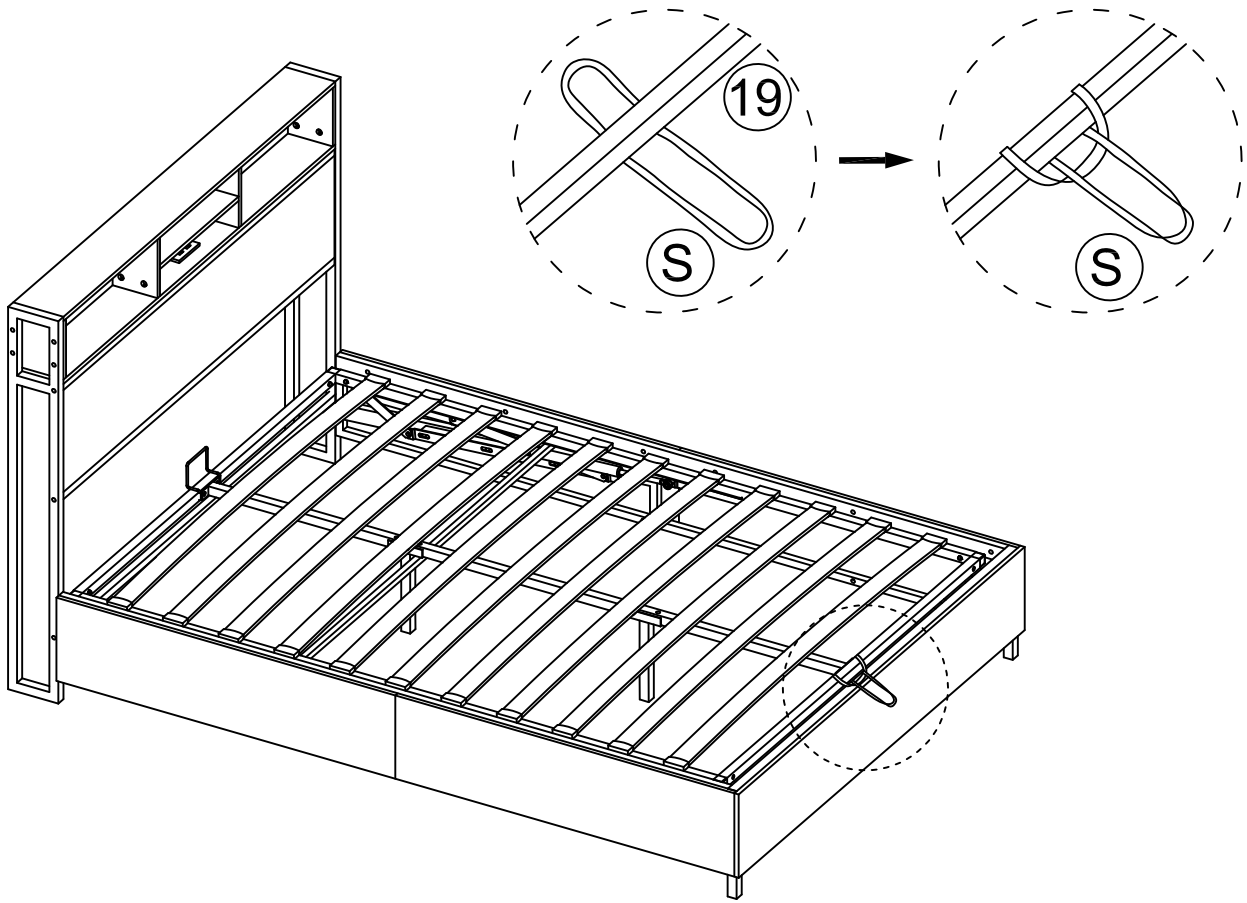


33



○ U X16

34



35

