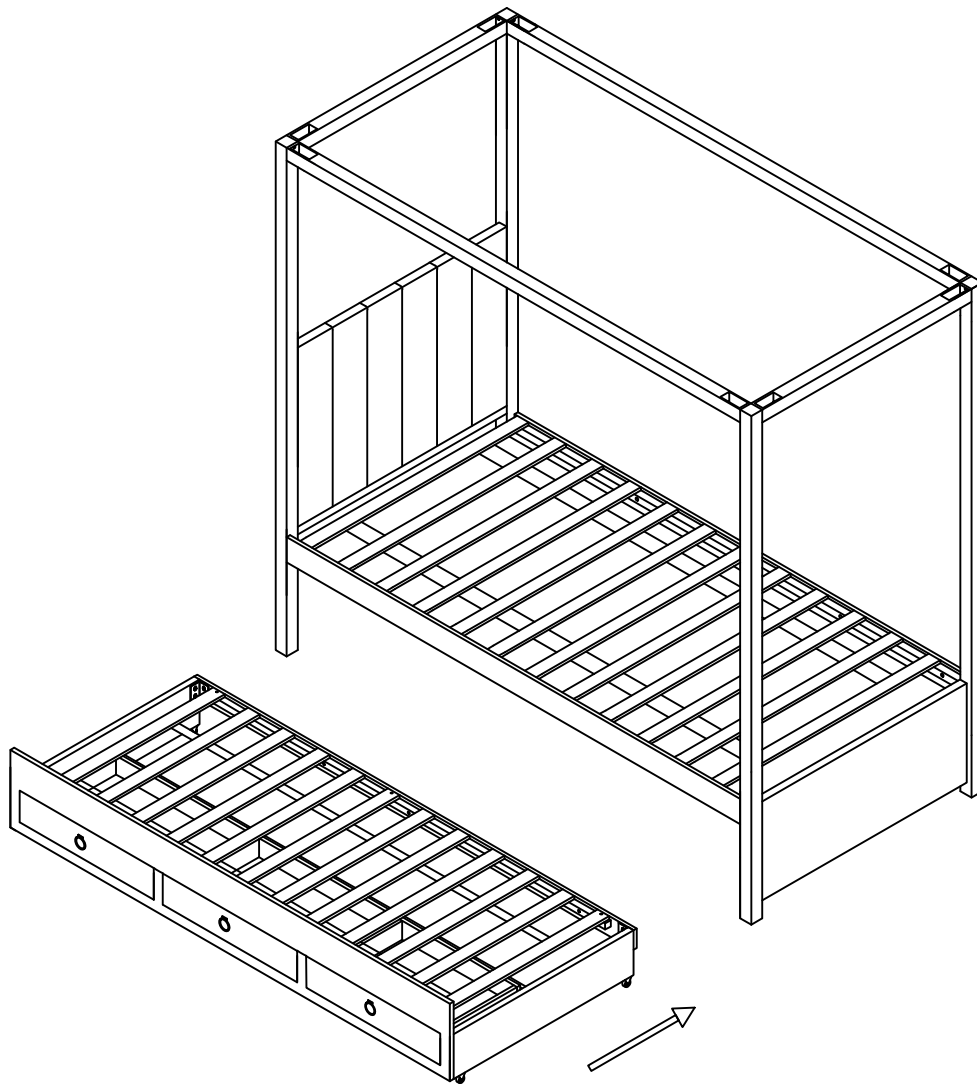
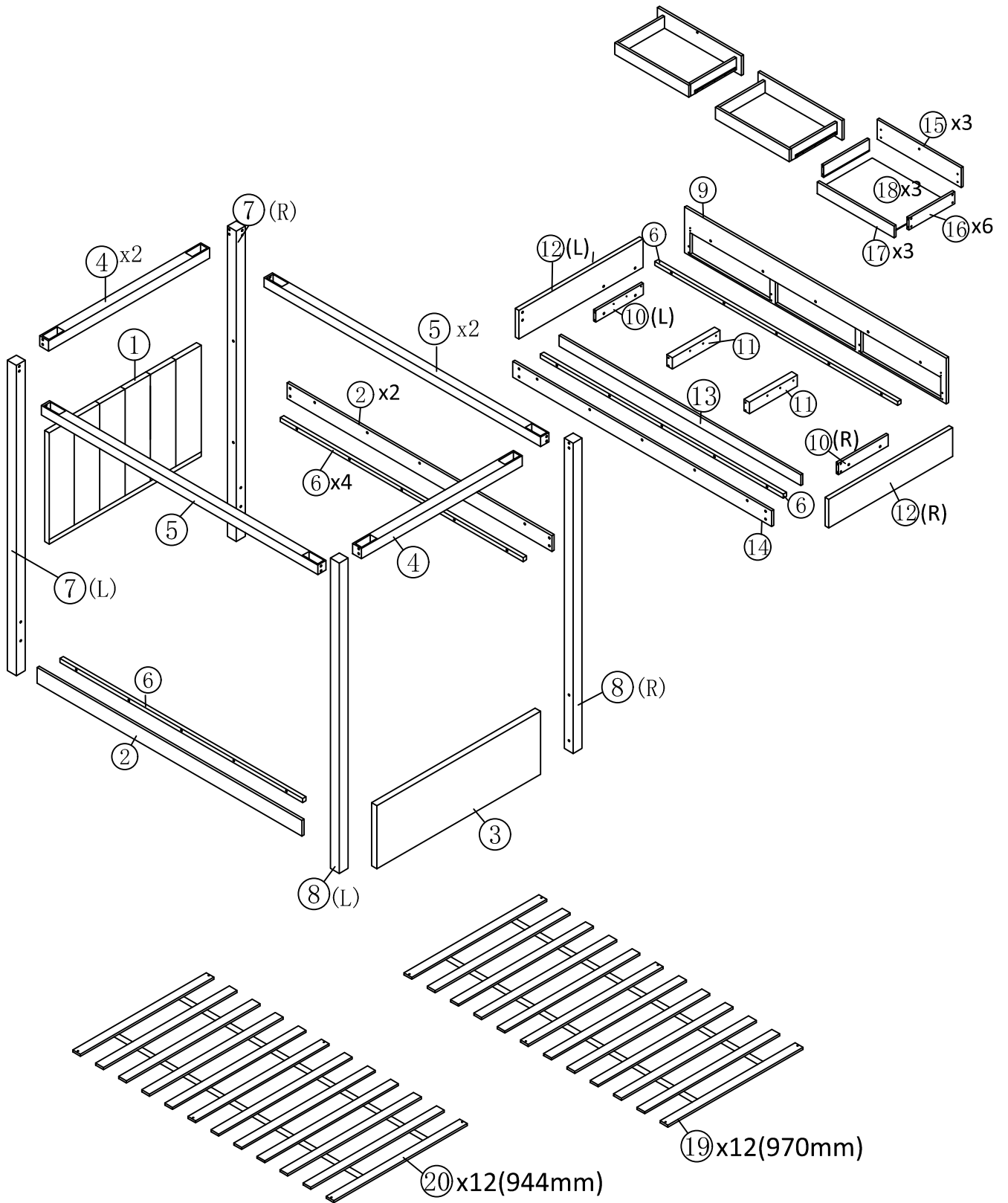


ASSEMBLY INSTRUCTION



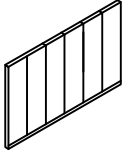
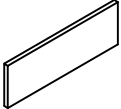
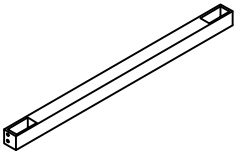
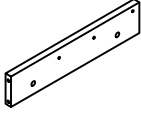
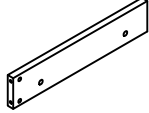
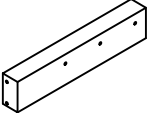
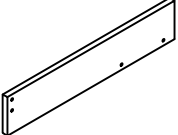
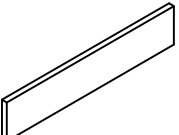
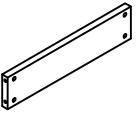


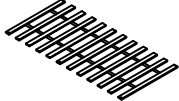

WF324793 / WF324794

Detail View



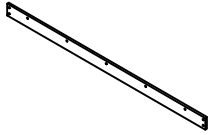
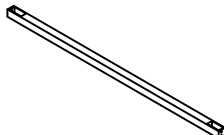
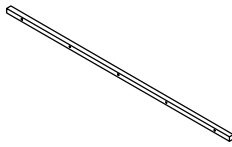




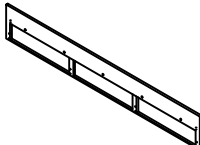
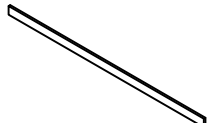
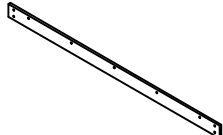
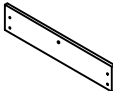
Part List

Hardware List+WF324793

<p>1</p>  <p>Head board-1pc</p>	<p>3</p>  <p>Foot board-1pc</p>	<p>4</p>  <p>Top cross bar-2pcs</p>
<p>10L</p>  <p>Bottom bed board-1pc</p>	<p>10R</p>  <p>Bottom bed board-1pc</p>	<p>11</p>  <p>Bottom bed board-2pcs</p>
<p>12L</p>  <p>Bottom bed board-1pc</p>	<p>12R</p>  <p>Bottom bed board-1pc</p>	<p>16</p>  <p>Drawer board-6pcs</p>
<p>17</p>  <p>Drawer board-3pcs</p>	<p>18</p>  <p>Drawer bottom board-3pcs</p>	<p>19</p>  <p>Slats(970mm)-12pcs</p>
<p>20</p>  <p>Slats(944mm)-12pcs</p>		




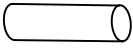


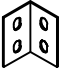




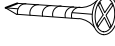
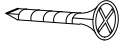
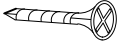






Part List

WF324794

2  Siderails-2pcs	5  Top vertical bar-2pcs	6  Side rails support bar-4pcs
7L  Headboard standing bar-1pc	7R  Headboard standing bar-1pc	8L  Footboard standing bar-1pc
8R  Footboard standing bar-1pc	9  Bottom bed board-1pc	13  Bottom bed board-1pc
14  Bottom bed board-1pc	15  Drawer outer board-3pcs	


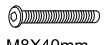
Hardware List

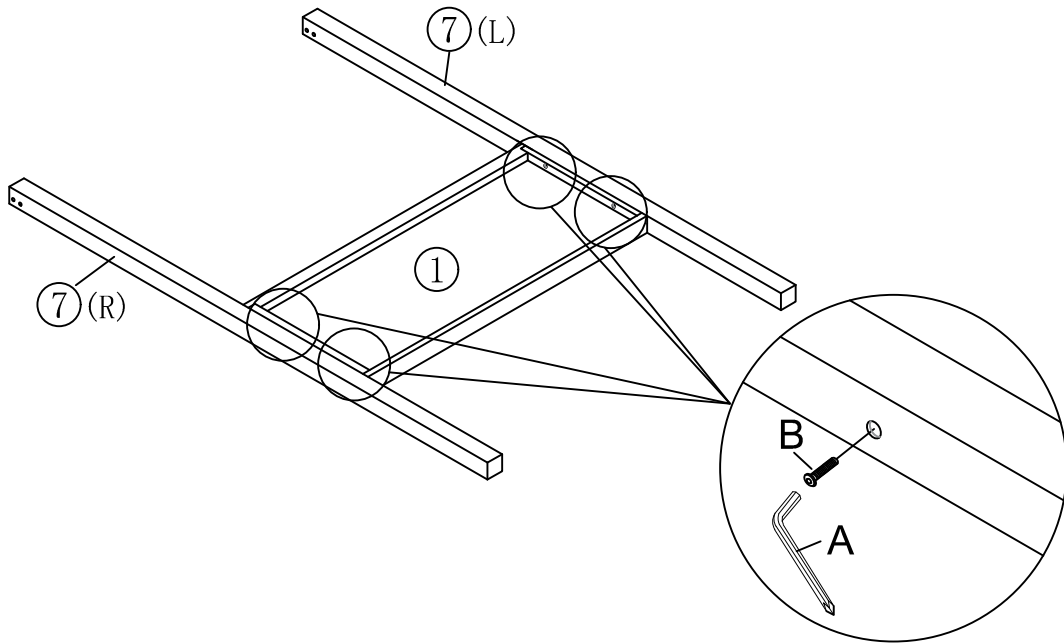
WF324793

A  Allen Key(1pc)	B  Bolts(32pcs) Ø8*40mm	C  Bolts(24pcs) Ø8*18mm
D  M10 Wood chip(8pcs)	E  M8x60 Bolts(8pcs)	F  M8 Nuts(8pcs)
G  "7" Connector(6pcs)	H  Spanner(1pc)	I  Drawer fittings(40pcs)
J  Drawer fittings(40pcs)	K  Wheel(4pcs)	L  Ø3*16mm Nails(44pcs)
M  Ø3*25mm Nails(8pcs)	N  Ø4*30mm Nails(12pcs)	O  Little "7" Connector(2pcs)
P  Ø5*20mm Bolts(3pcs)	R  3pcsR/3pcsL Drawer track(6pcs)	S  3pcsR/3pcsL Drawer track(6pcs)
T  Drawer handle(3pcs)	U  M8 Washer(8pcs)	


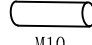
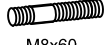
Remark: We recommend you assemble your bed in the flat ground.

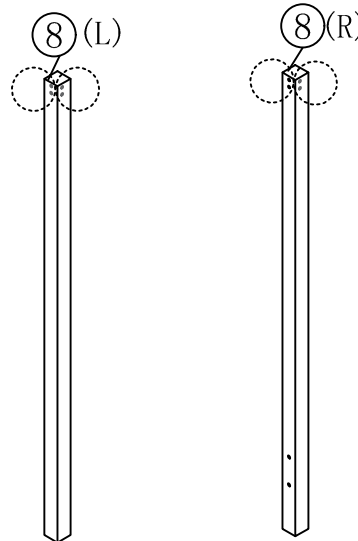
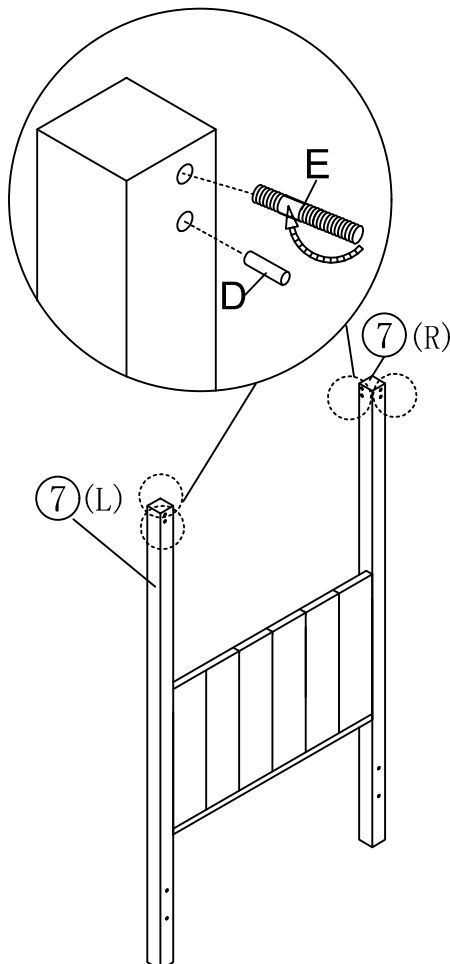
Step 1

A	B
	 M8X40mm
	4PCS

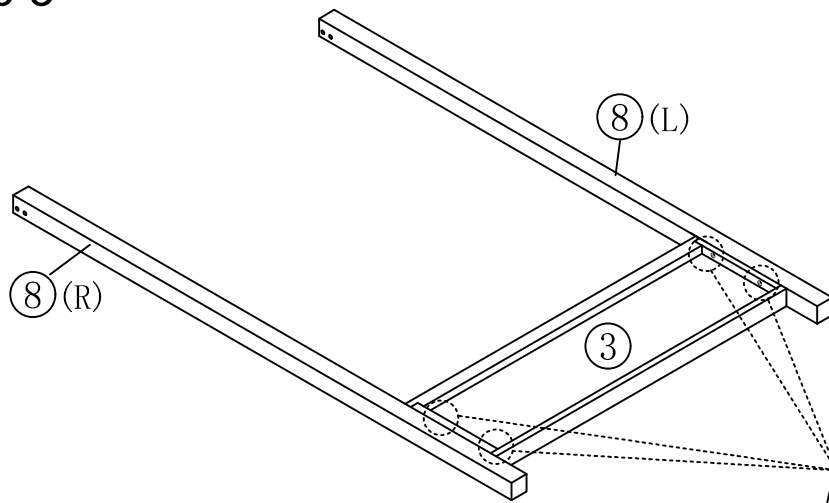




Step 2

A	D	E
	 M10	 M8x60
	8PCS	8PCS

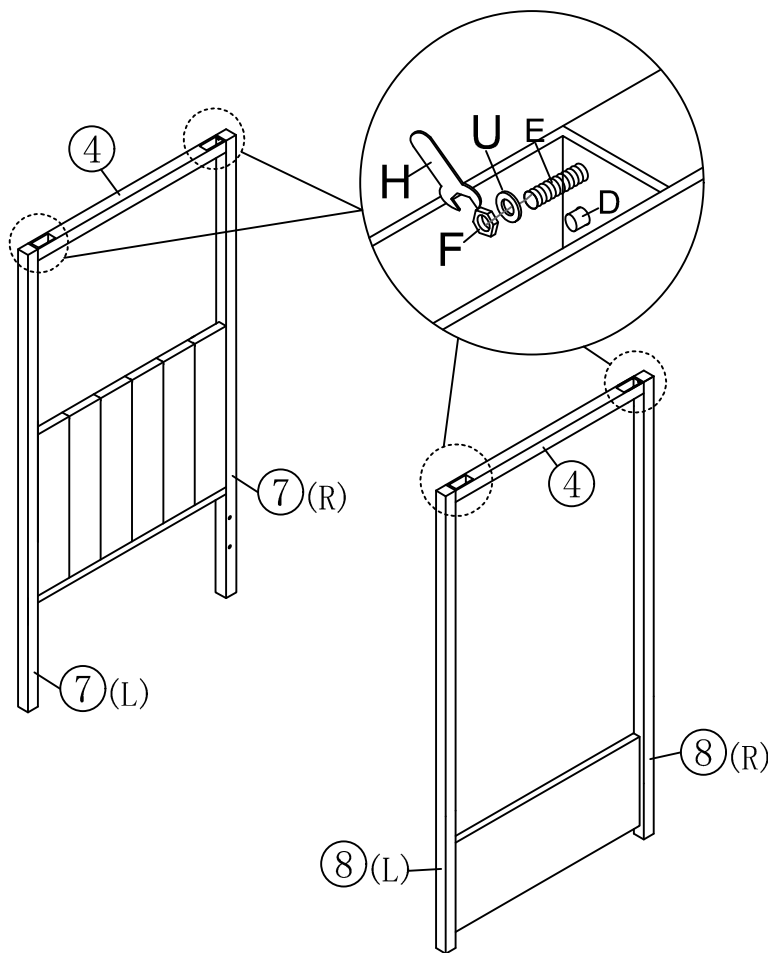





Step 3





A		B	 M8X40mm 4PCS
---	---	---	---

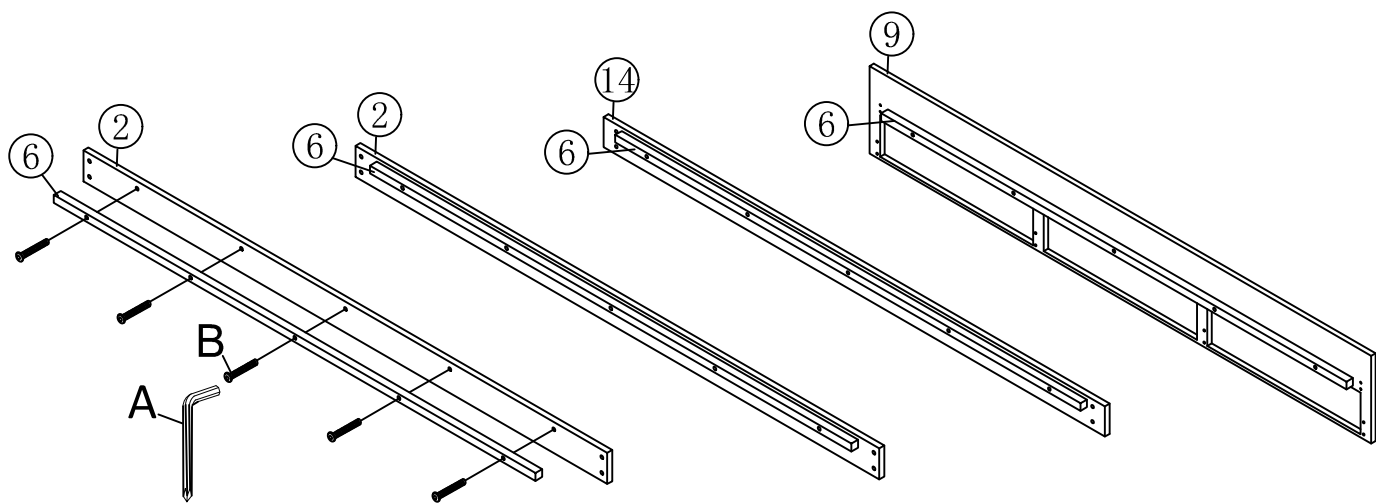
Step 4






H		F	 M8 4PCS	U	 M8 4PCS
---	--	---	---	---	---

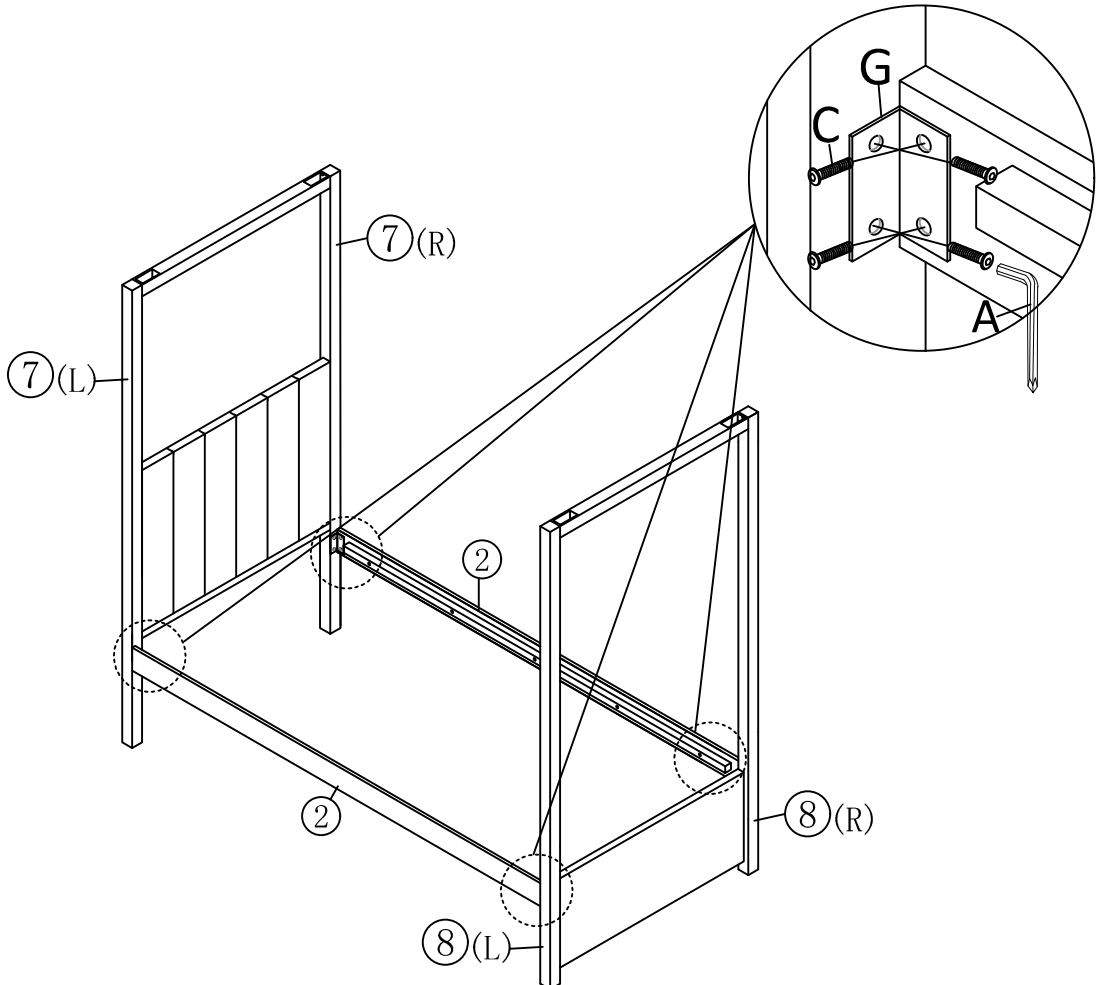
Step 5

<p>A</p> 	<p>B</p>  <p>M8X40mm</p> <p>20PCS</p>
--	--

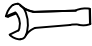




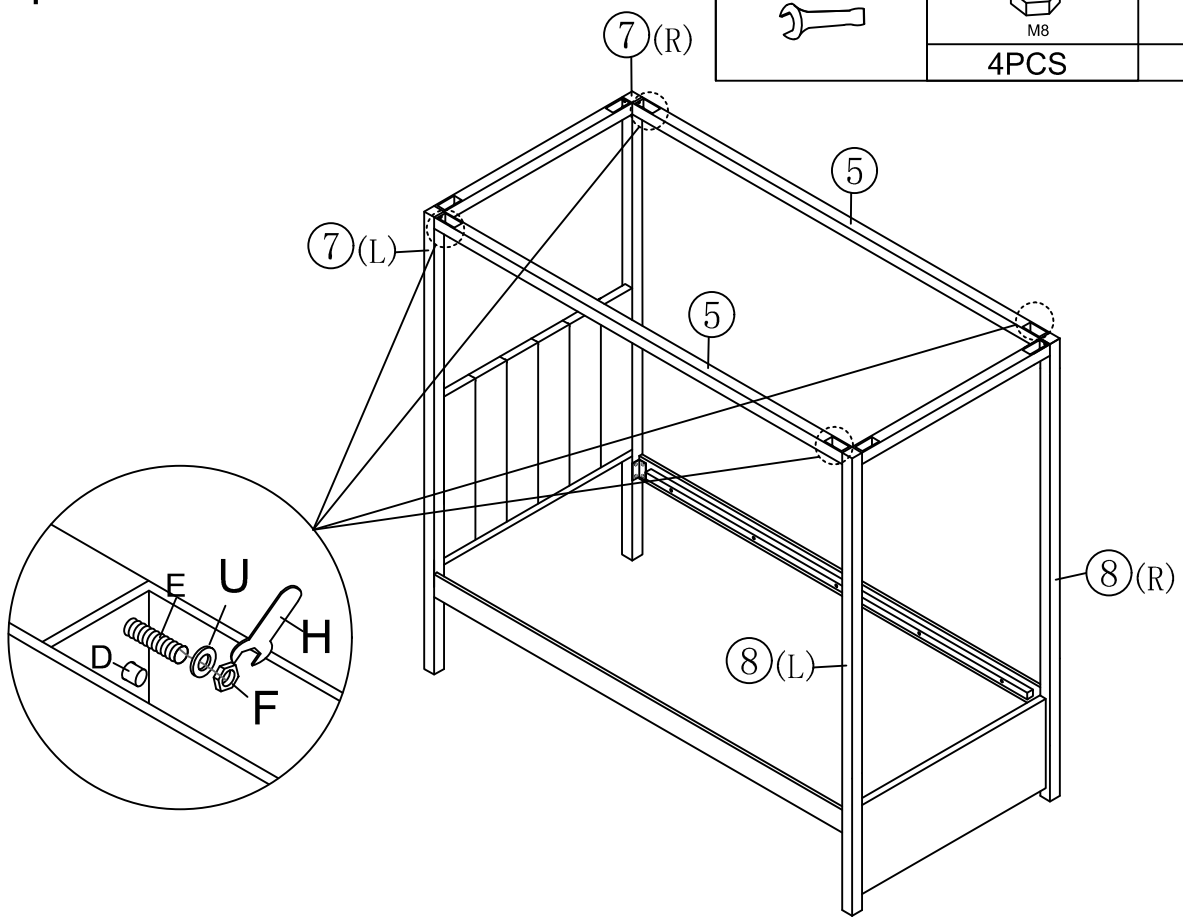
Step 6

<p>A</p> 	<p>C</p>  <p>M8X18mm</p> <p>16PCS</p>	<p>G</p>  <p>4PCS</p>
--	--	---


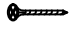


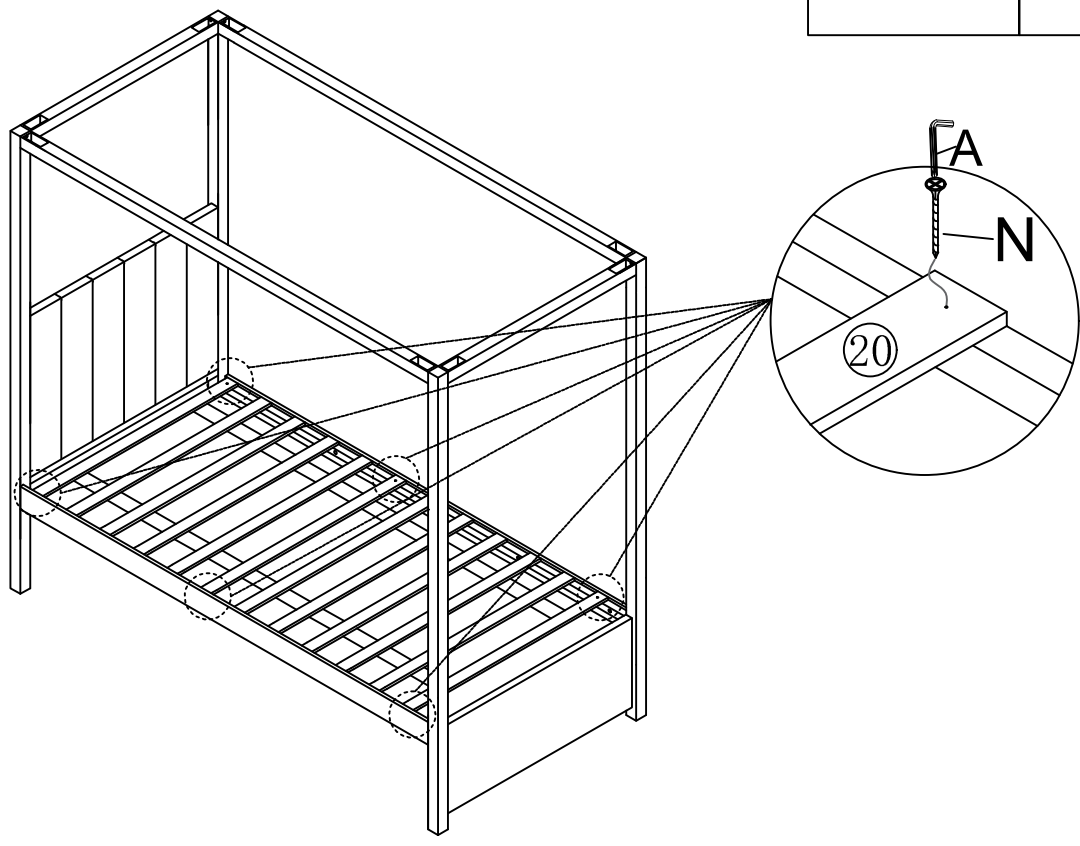
Step 7

H	F	U
	 M8	 M8
	4PCS	4PCS






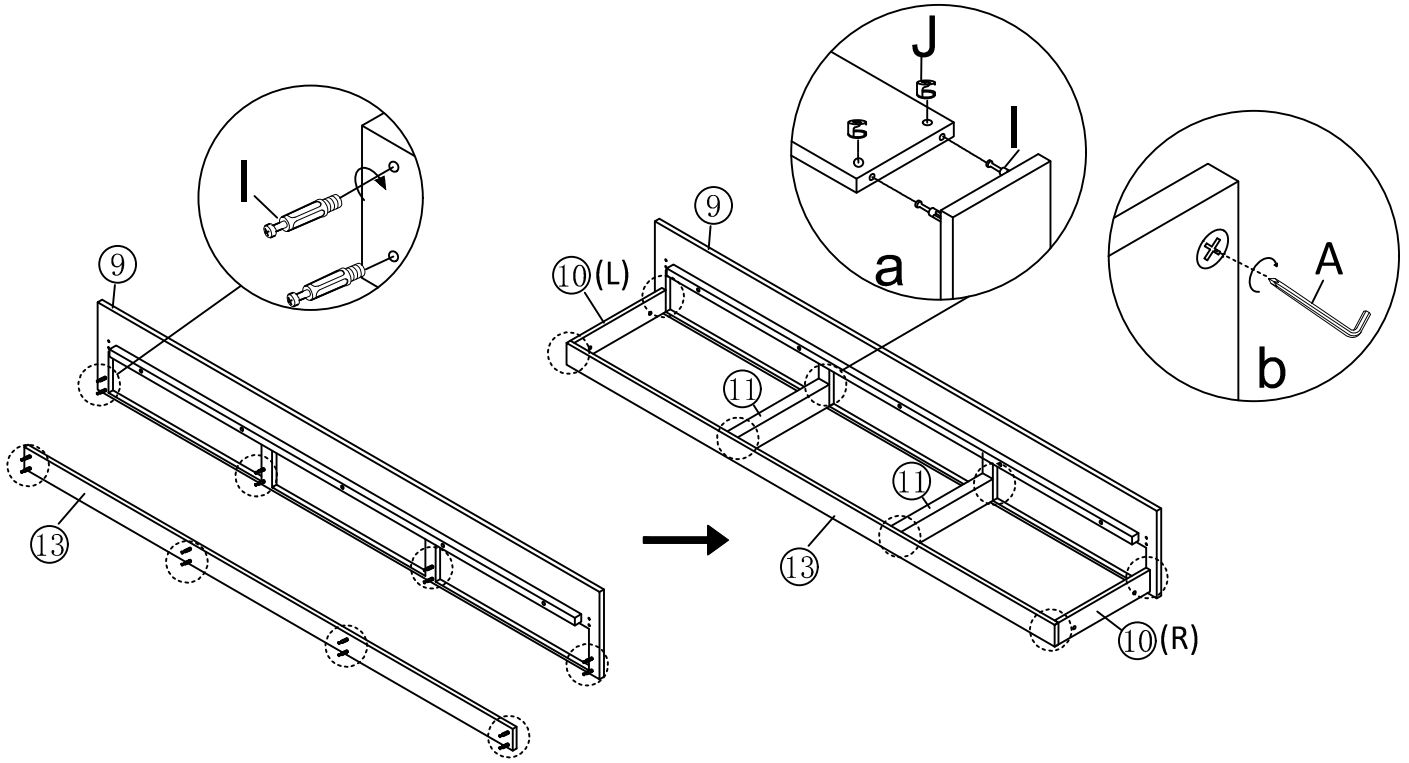
Step 8

A	N
	 M4X30mm
	6PCS






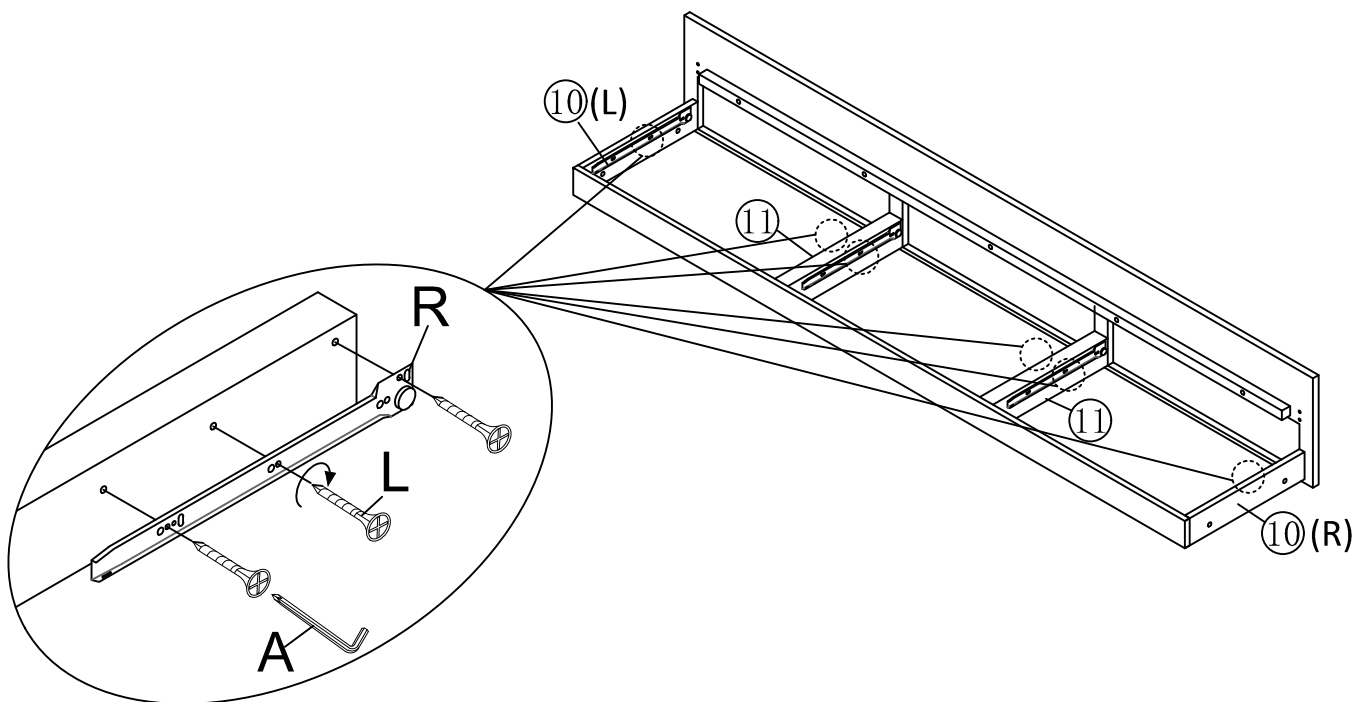
Step 9

<p>A</p> 	<p>I</p>  <p>16PCS</p>	<p>J</p>  <p>16PCS</p>
---	---	---



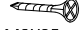



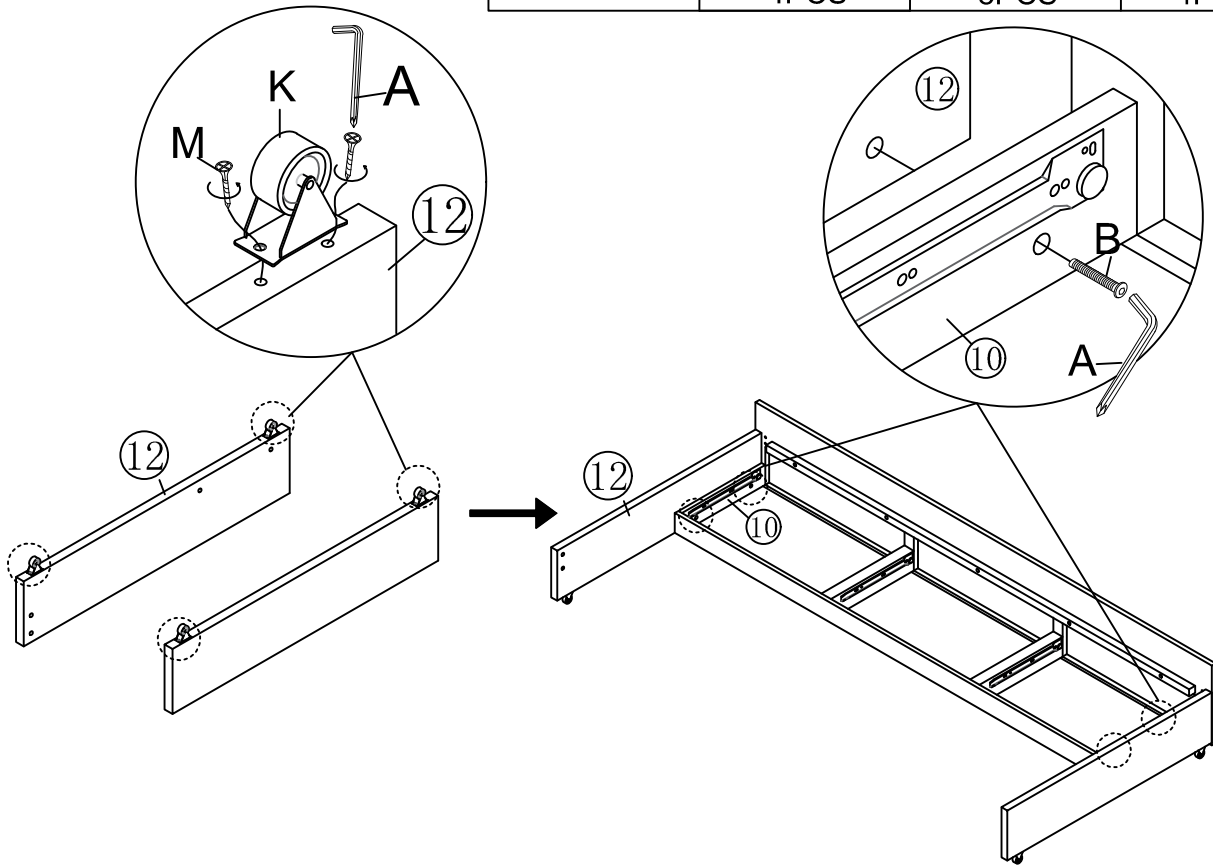
Step 10

<p>A</p> 	<p>R</p>  <p>3R/3LPCS</p>	<p>L</p>  <p>M3X16mm</p> <p>18PCS</p>
---	--	--








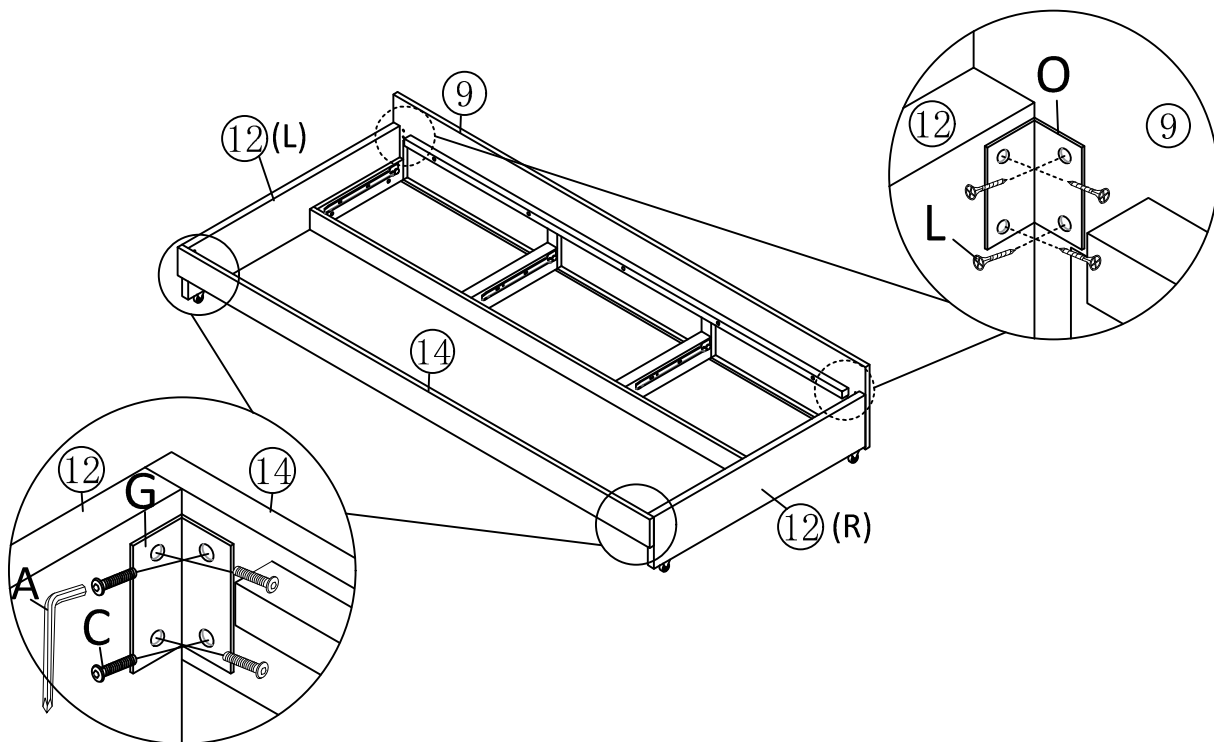
Step 11

<p>A</p> 	<p>B</p>  <p>M8X40mm</p> <p>4PCS</p>	<p>M</p>  <p>M3X25mm</p> <p>8PCS</p>	<p>K</p>  <p>4PCS</p>
--	--	---	--



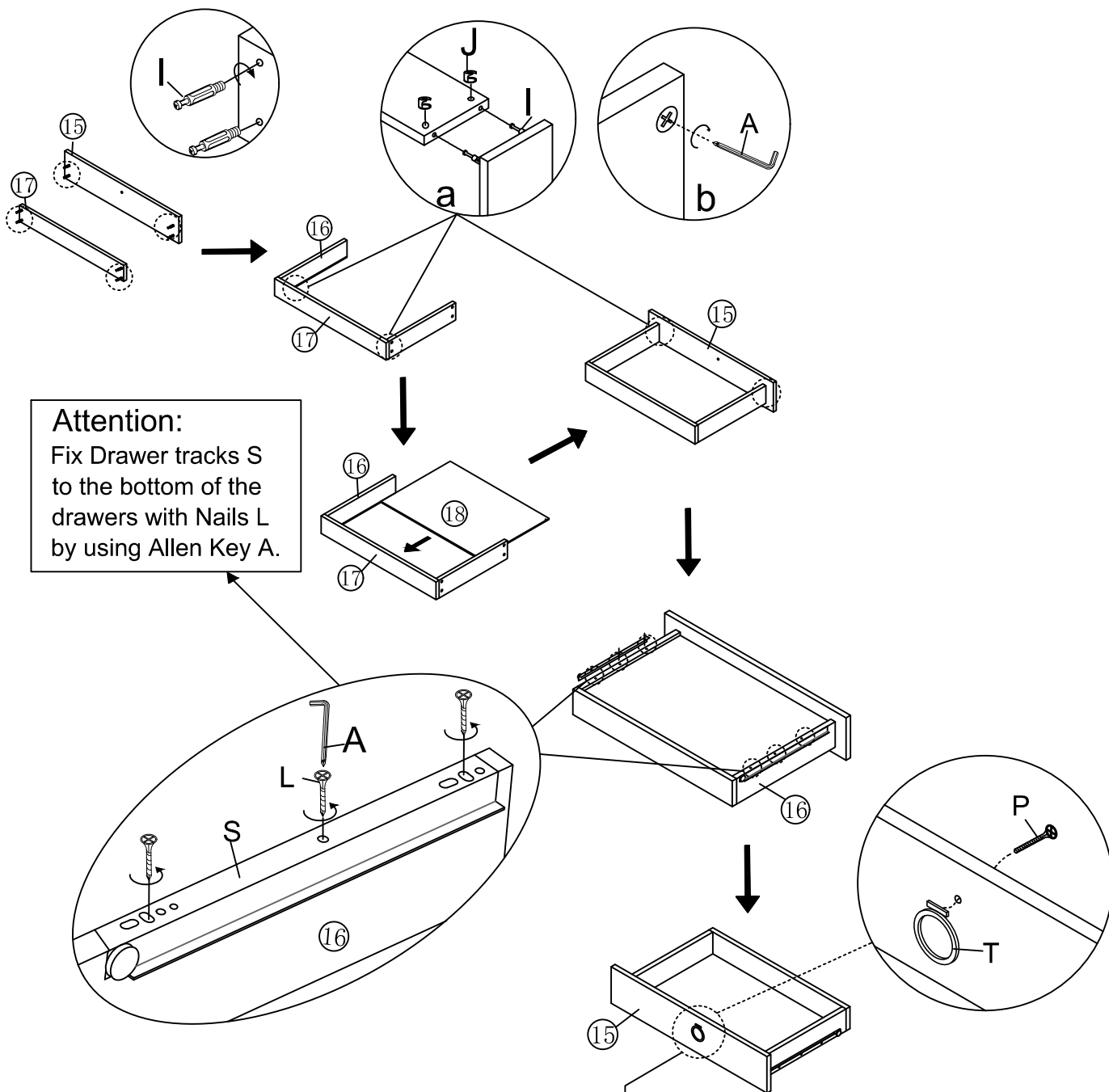
Step 12

<p>A</p> 	<p>C</p>  <p>M8X18mm</p> <p>8PCS</p>	<p>G</p>  <p>2PCS</p>	<p>L</p>  <p>M3X16mm</p> <p>8PCS</p>	<p>O</p>  <p>2PCS</p>
--	---	---	---	--



Step 13x3

A	I	J	L	S
			 M3X16mm	
	24PCS	24PCS	18PCS	3R/3LPCS
			T	P
				 M5X20mm
			3PCS	3PCS



Attention:
Fix Drawer tracks S to the bottom of the drawers with Nails L by using Allen Key A.

Fix Drawer handle T to the Drawer outer board 15 with Bolts P by using Allen Key A.

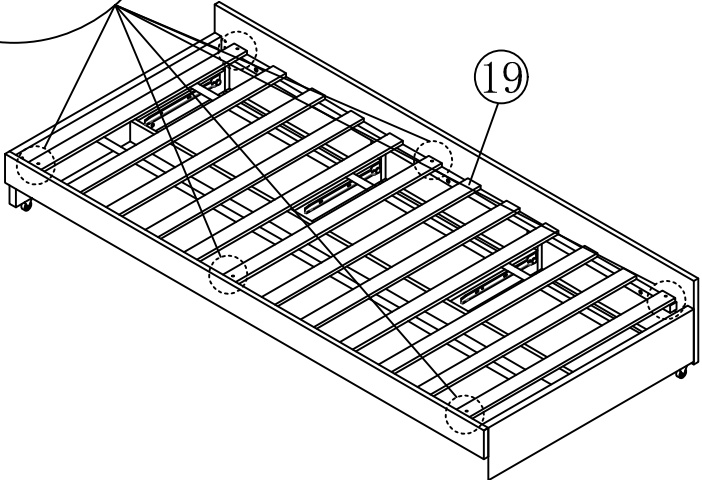
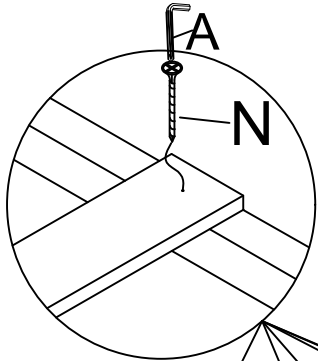
Step 14

A

N



M4X30mm
6PCS



Step 15

