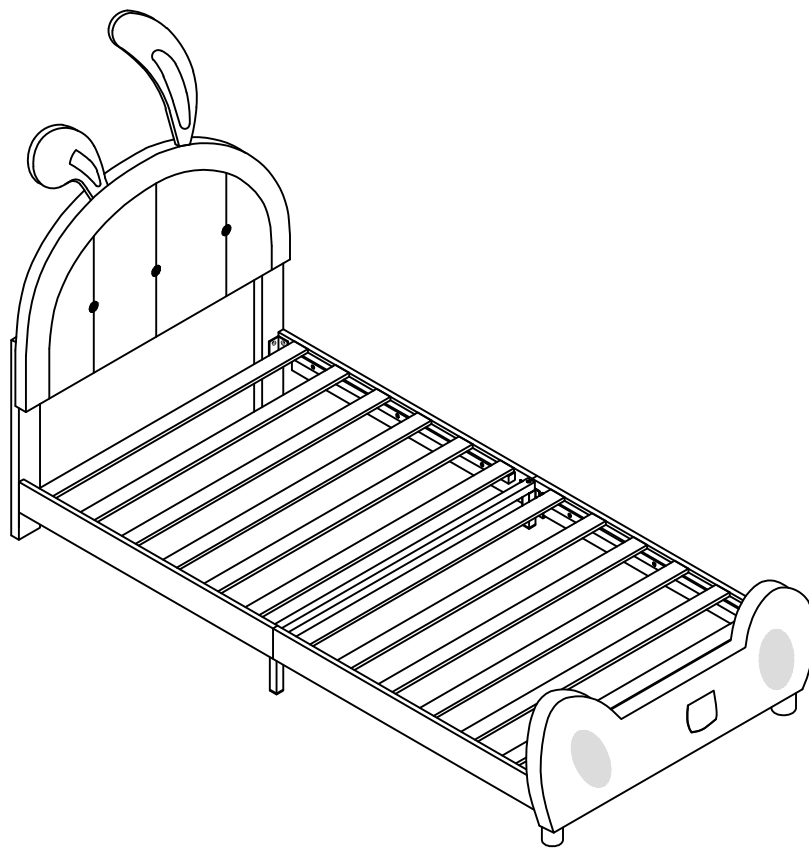
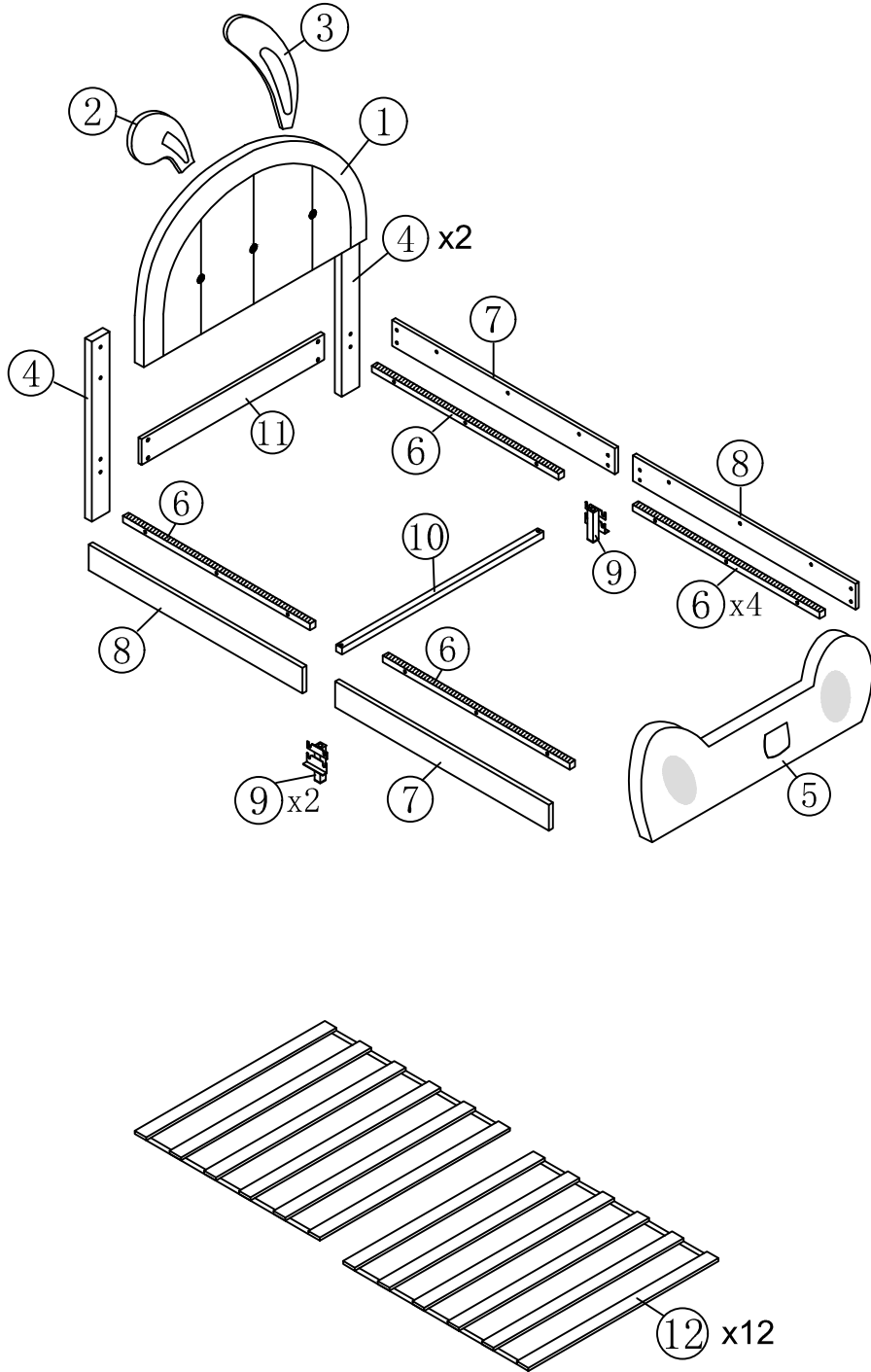


ASSEMBLY INSTRUCTION



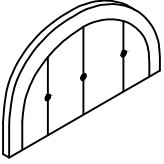



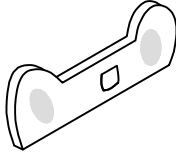
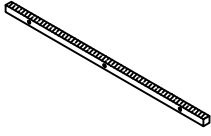
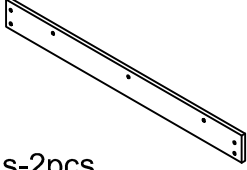
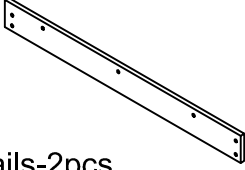
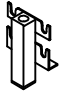
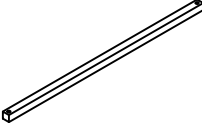
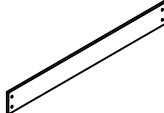
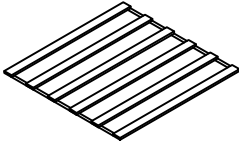
WF323763

Detail View







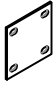
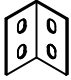

Part List

WF323763

1  Head board-1pc	2  Ear of the Headboard-1pc	3  Ear of the Headboard-1pc
4  Head board legs-2pcs	5  Foot board-1pc	6  Side rails support bar-4pcs
7  Siderails-2pcs	8  Siderails-2pcs	9  Side rails support legs-2pcs
10  Cross bar-1pc	11  Cross board-1pc	12  Slats-12pcs


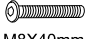
Hardware List

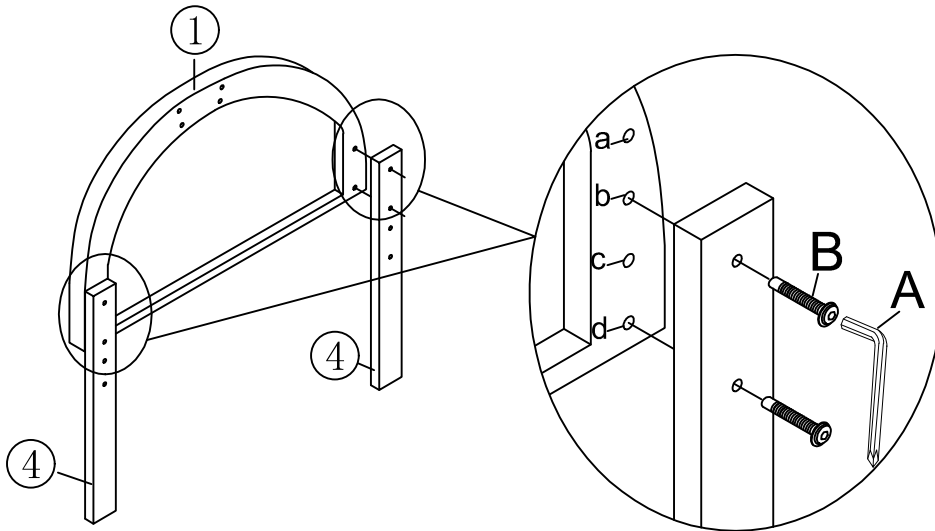
WF323763

<p>A</p>  <p>20*70mm</p>	<p>B</p>  <p>Ø8*40mm</p>	<p>C</p>  <p>Ø8*30mm</p>
<p>Allen Key(2pcs) Bolts(18pcs) Bolts(4pcs)</p>		
<p>D</p>  <p>Ø8*18mm</p>	<p>E</p> 	<p>F</p>  <p>77*33**33*3mm</p>
<p>Bolts(32pcs) Four hole iron(2pcs) "7" Connector(4pcs)</p>		
<p>G</p>  <p>H:40mm</p>		
<p>Bed legs(2pcs)</p>		



Remark: We recommend you assemble your bed in the flat ground.

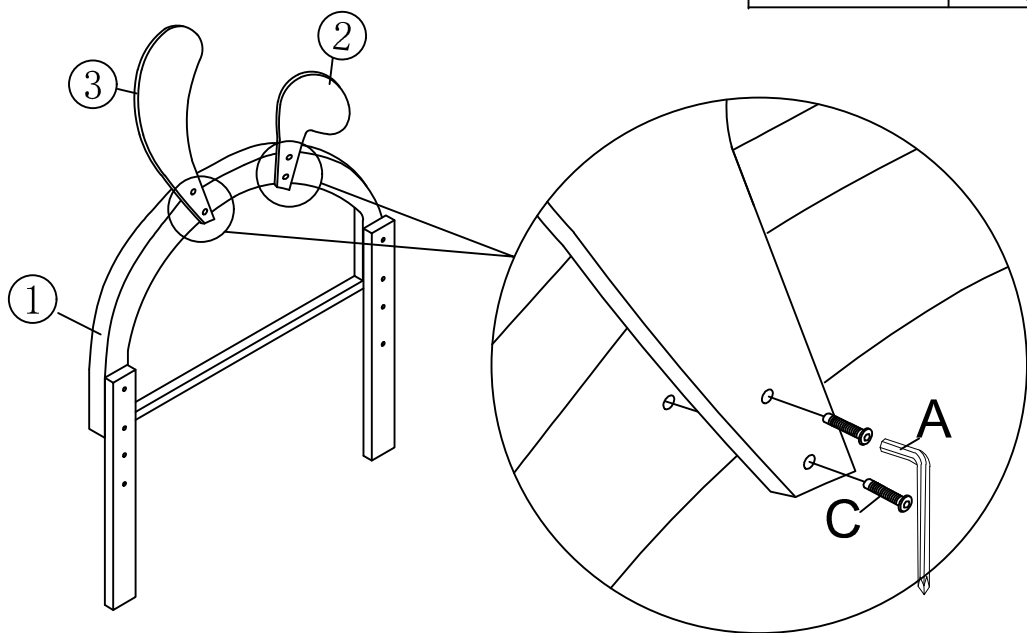
Step 1

A	B
	 M8X40mm
	4PCS



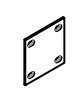


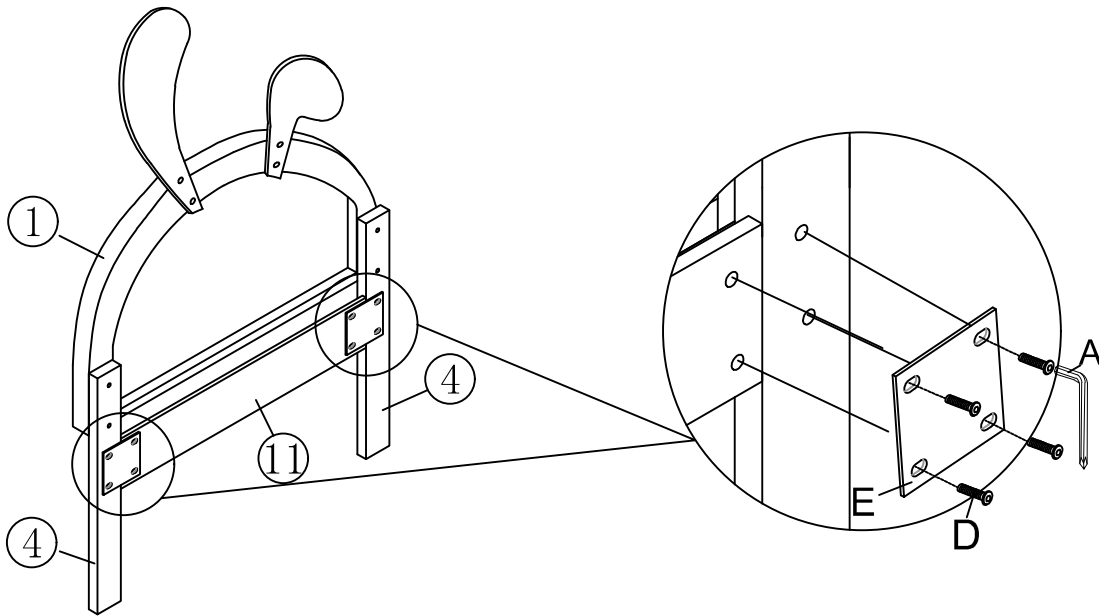
Step 2

A	C
	 M8X30mm
	4PCS





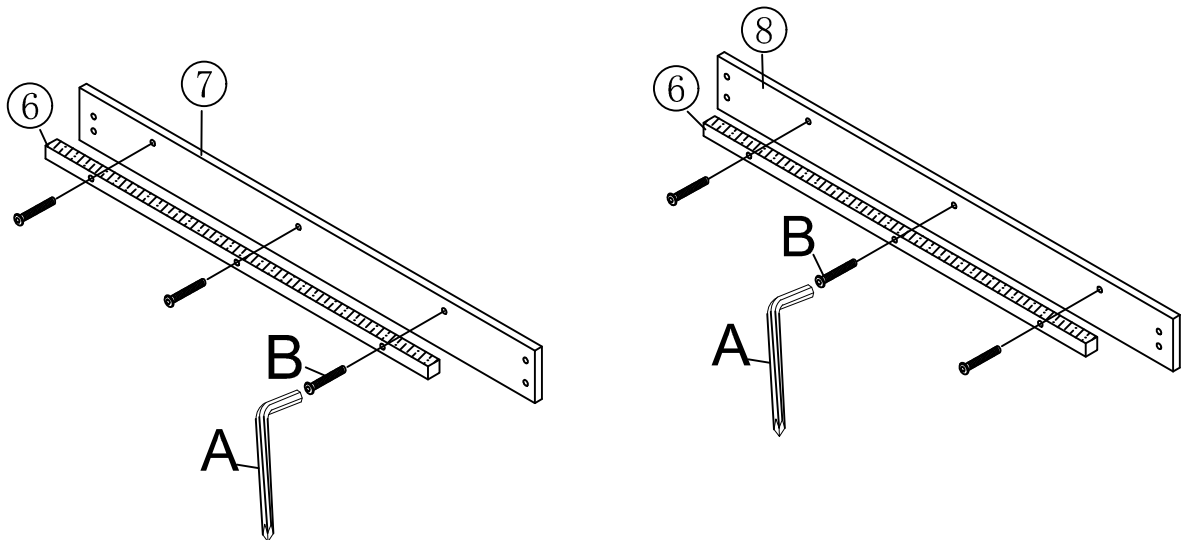
Step 3

<p>A</p> 	<p>D</p>  <p>M8X18mm</p> <p>8PCS</p>	<p>E</p>  <p>2PCS</p>
---	---	--





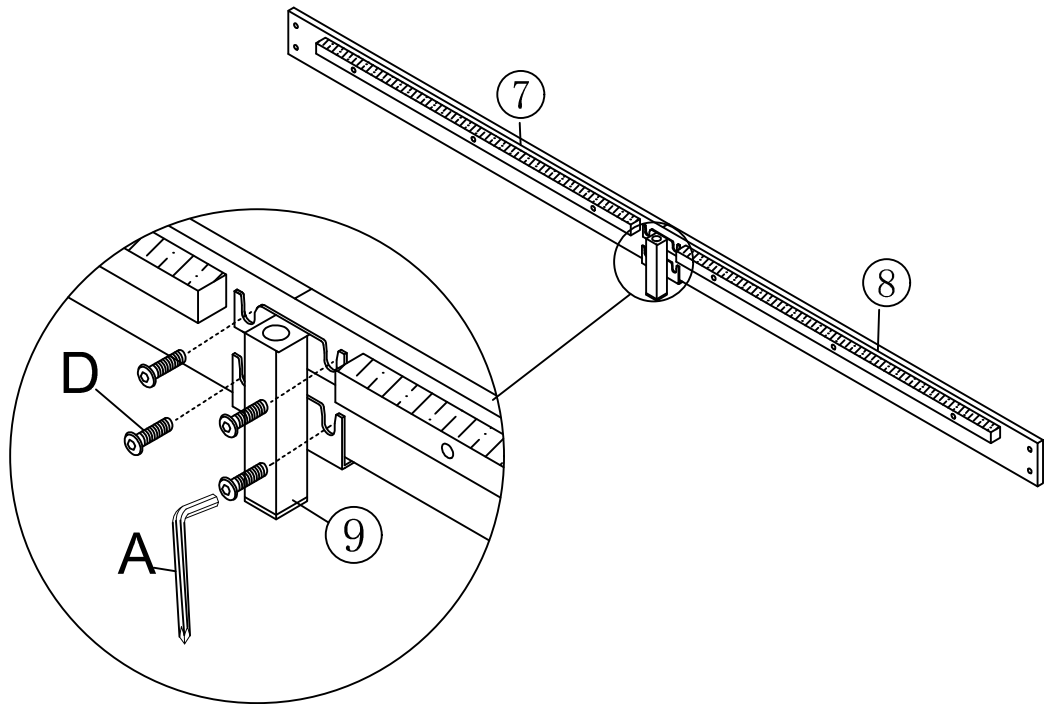
Step 4 x2

<p>A</p> 	<p>B</p>  <p>M8X40mm</p> <p>12PCS</p>
--	--




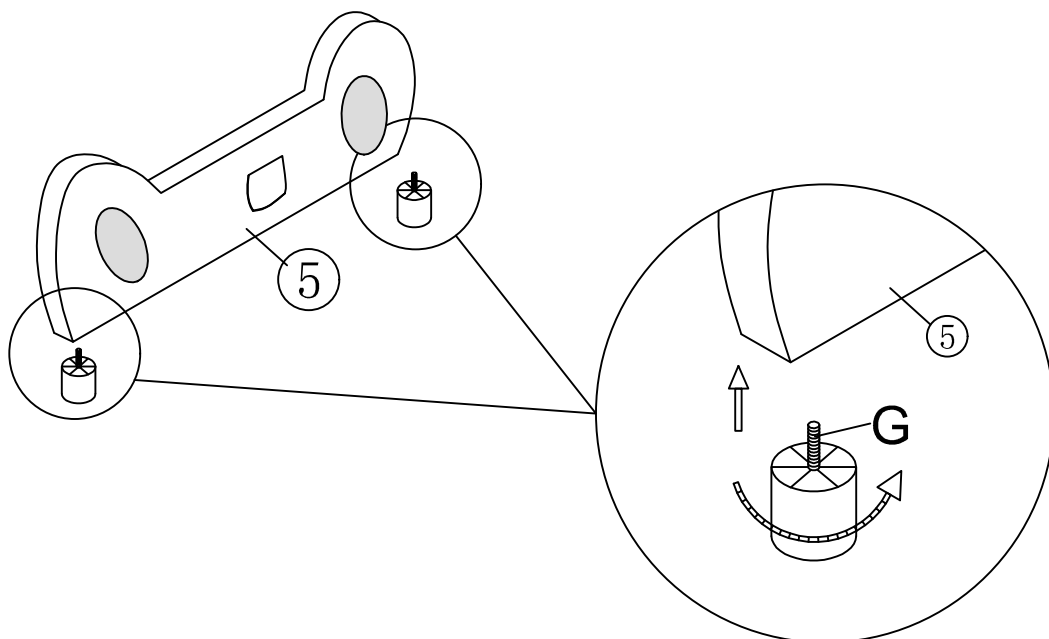
Step 5 x2

A		D	
			M8X18mm
		8PCS	






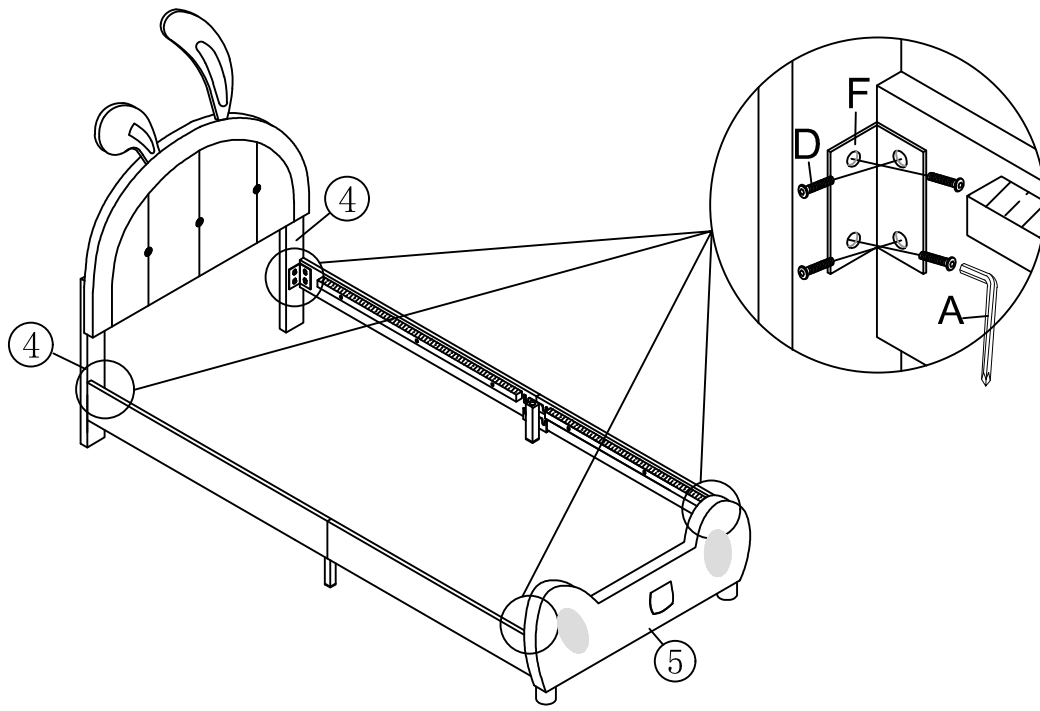
Step 6

G	
2PCS	


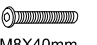


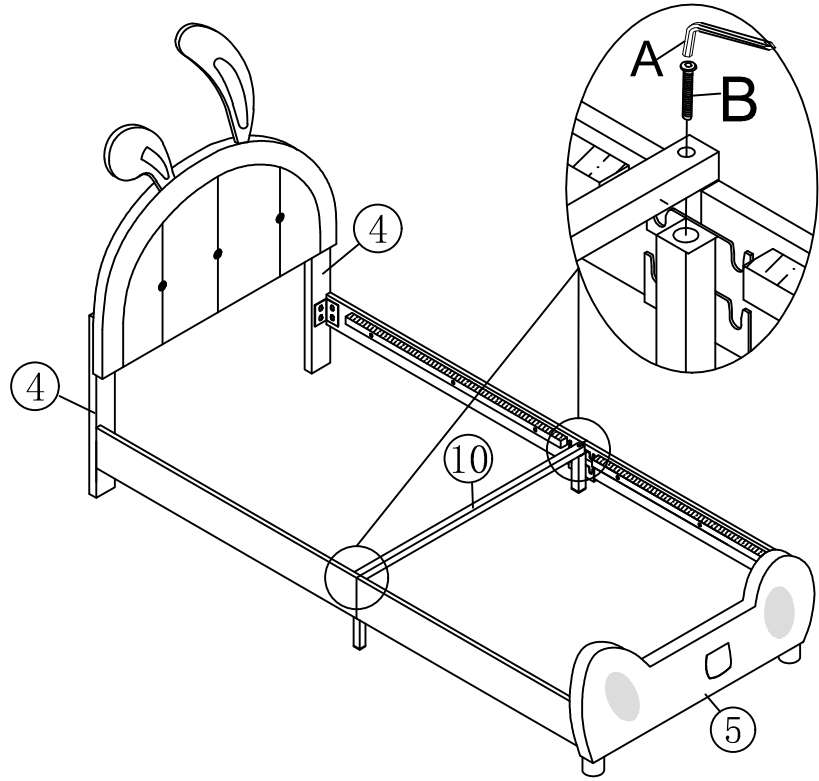
Step 7

A 	D  M8X18mm 16PCS	F  4PCS
---	--	--



Step 8

A 	B  M8X40mm 2PCS
--	---



Step 9

