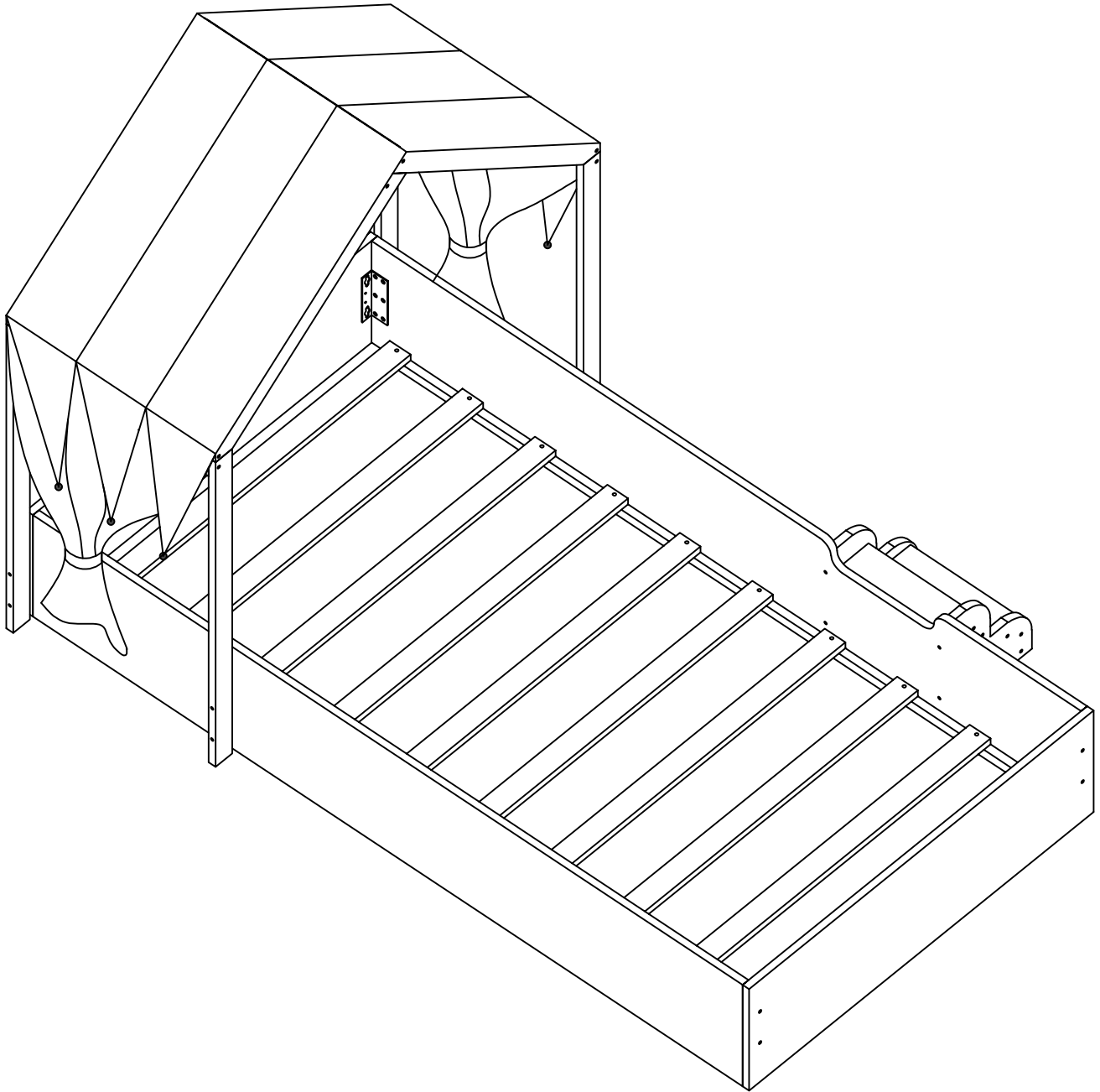
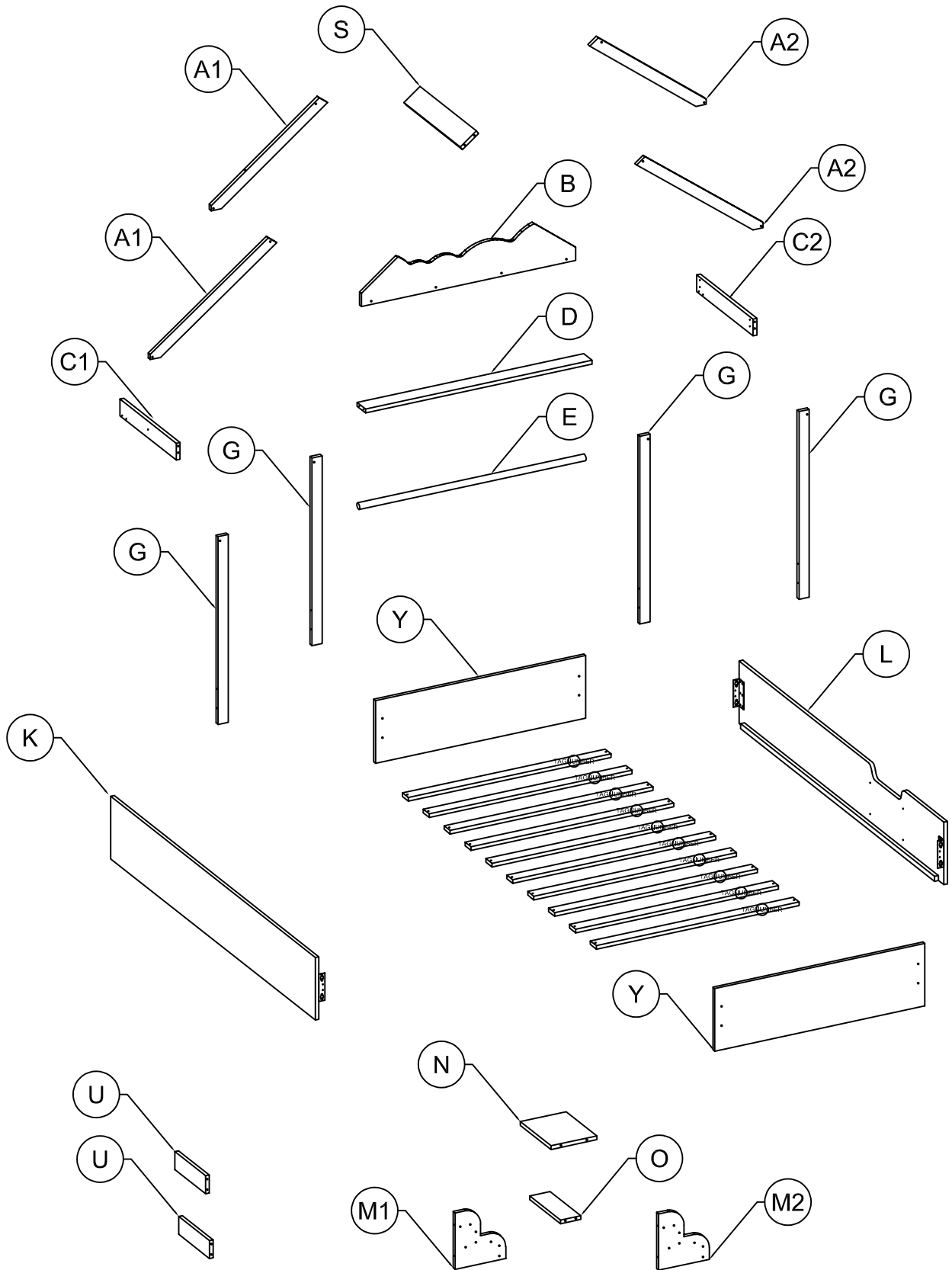


ASSEMBLY INSTRUCTION


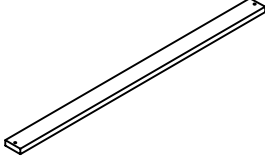
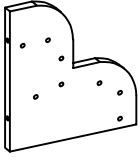
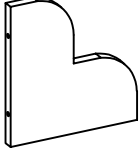
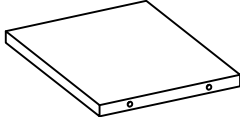
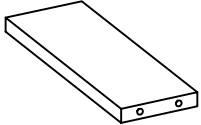
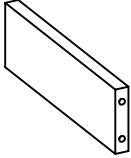
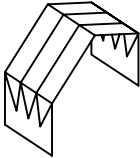
SKU CODE: (WF531413-WF531414)



ASSEMBLY INSTRUCTION



Part List (WF531413)

<p>Y</p>  <p>Panel - 2pcs</p>	<p>F</p>  <p>Slats-10pcs</p>	<p>M1</p>  <p>SideStairs-1pcs</p>
<p>M2</p>  <p>SideStairs-1pcs</p>	<p>N</p>  <p>Stairs-1pcs</p>	<p>O</p>  <p>Stairs-1pcs</p>
<p>U</p>  <p>Stairs-2pcs</p>	<p>10</p>  <p>Carpet Fabric 1pc</p>	

Part List (WF531414)

A1



RoofBed-2pcs

A2



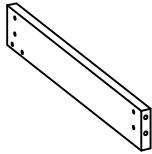
RoofBed-2pcs

B



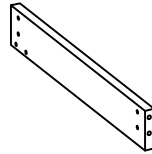
PanelClould-1pcs

C1



Panel -1pcs

C2



Panel -1pcs

D



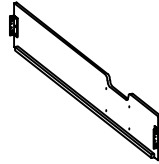
Panel -1pcs

G



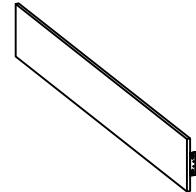
FootBoard-4pcs

L



Side Rails Right - 1pcs

K



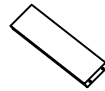
Side Rails Left - 1pcs

E



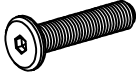
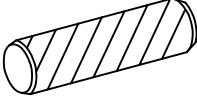


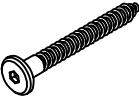
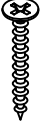



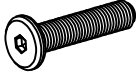


SuspensionShaft-1pcs

S



RoofBed-1pcs

Hardware List (WF531414)

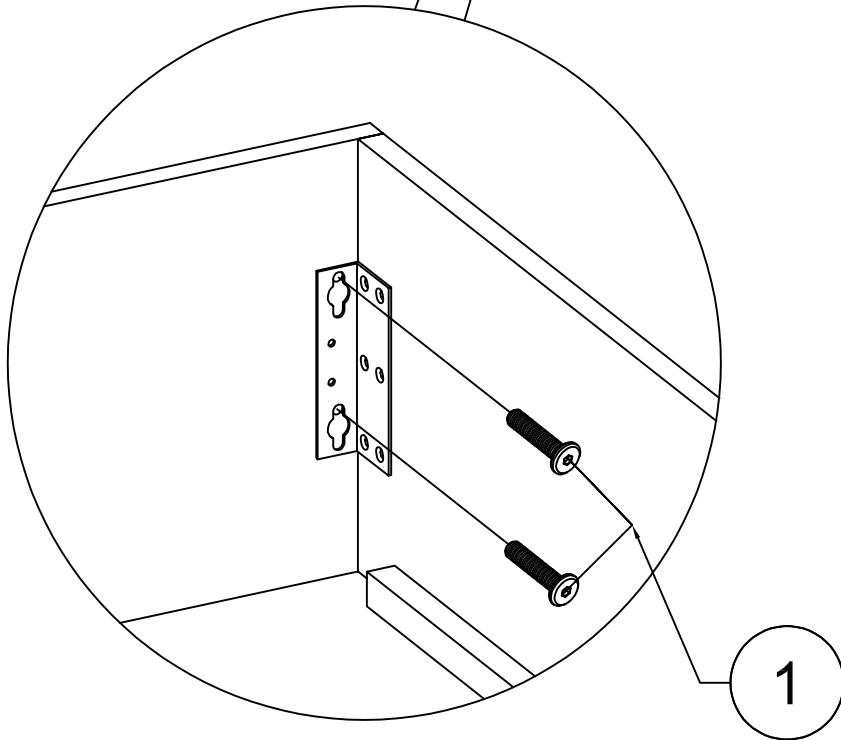
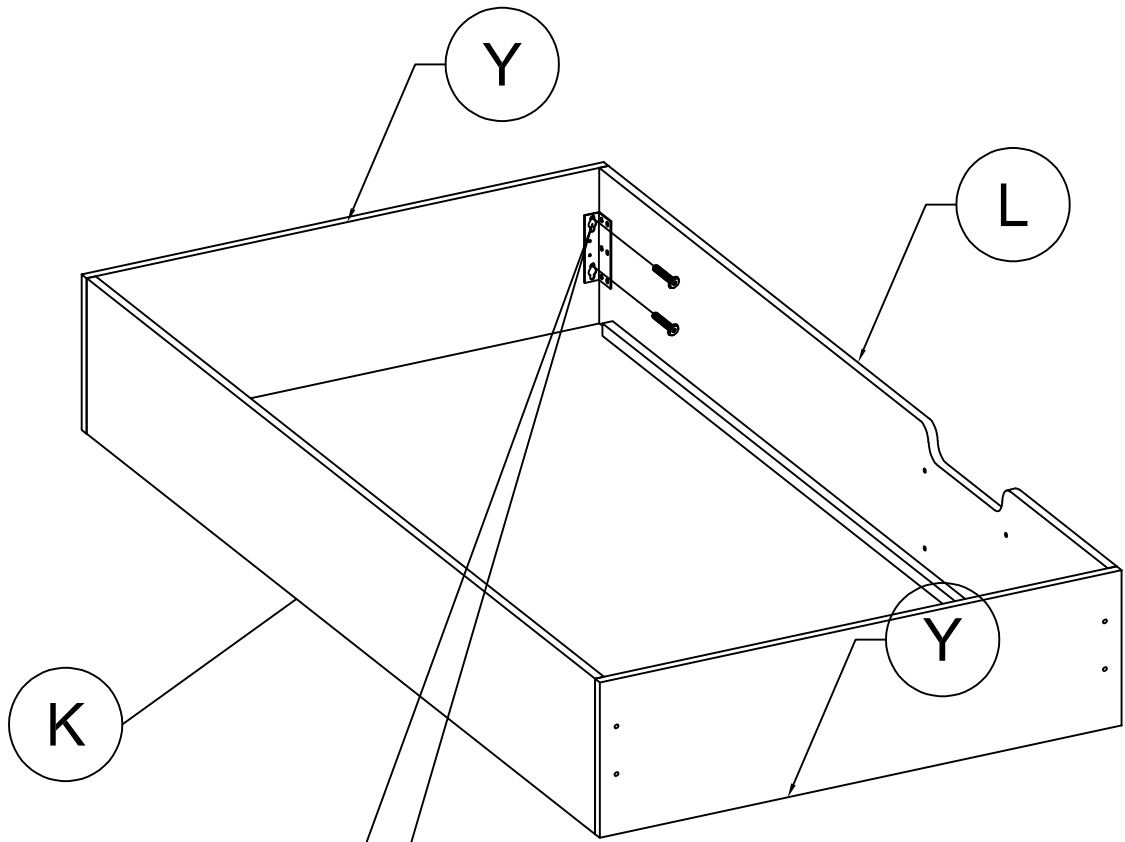
1  Ø1/4" x 20mm Hex-Head bolts 8pcs	2  Ø8 x 30 mm Wood dowel 20pcs	3  1/4" x 60mm Hex-Head bolts 16pcs
4  1/4" x 15mm Horizontal -Hole bolts 18pcs	5  Ø1/4" x 50mm Hex-Head bolts 2pcs	6  M4 x 50 mm Wood Screws 12pcs
7  M4 x 30 mm Wood Screws 20pcs	8  Steel-6pcs	9  M4 x 15 mm Wood Screws 24pcs
11  Ø1/4" x 50mm Hex-Head bolts 4pcs	12  1/4" x 90mm Hex-Head bolts 2pcs	13  Allen Key 1pcs

STEP 1: Following below illustration

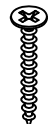
1

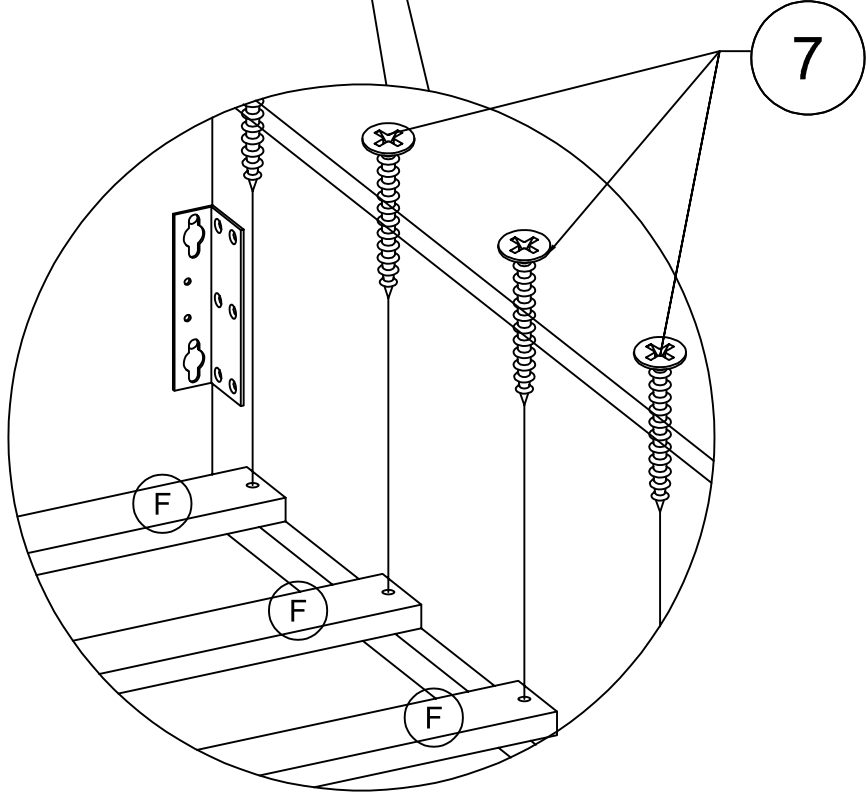
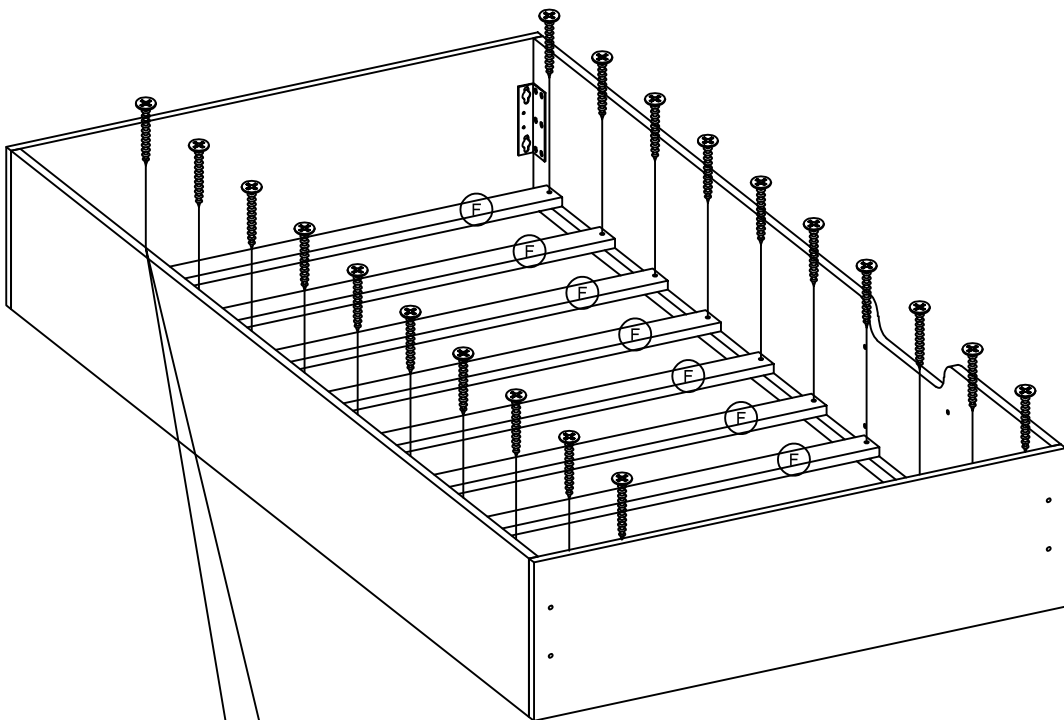


8 pcs



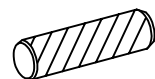
STEP 2: Following below illustration

7	
20 pcs	

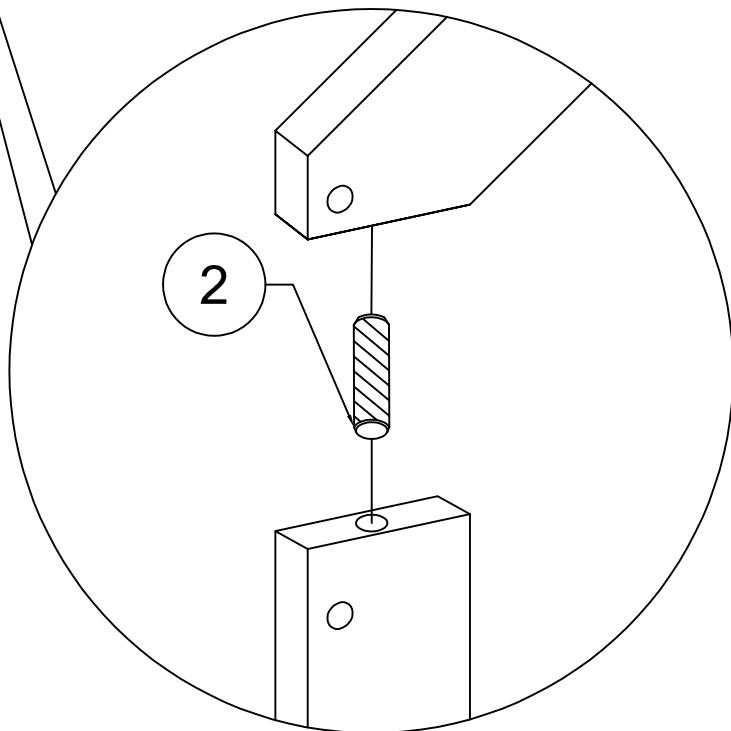
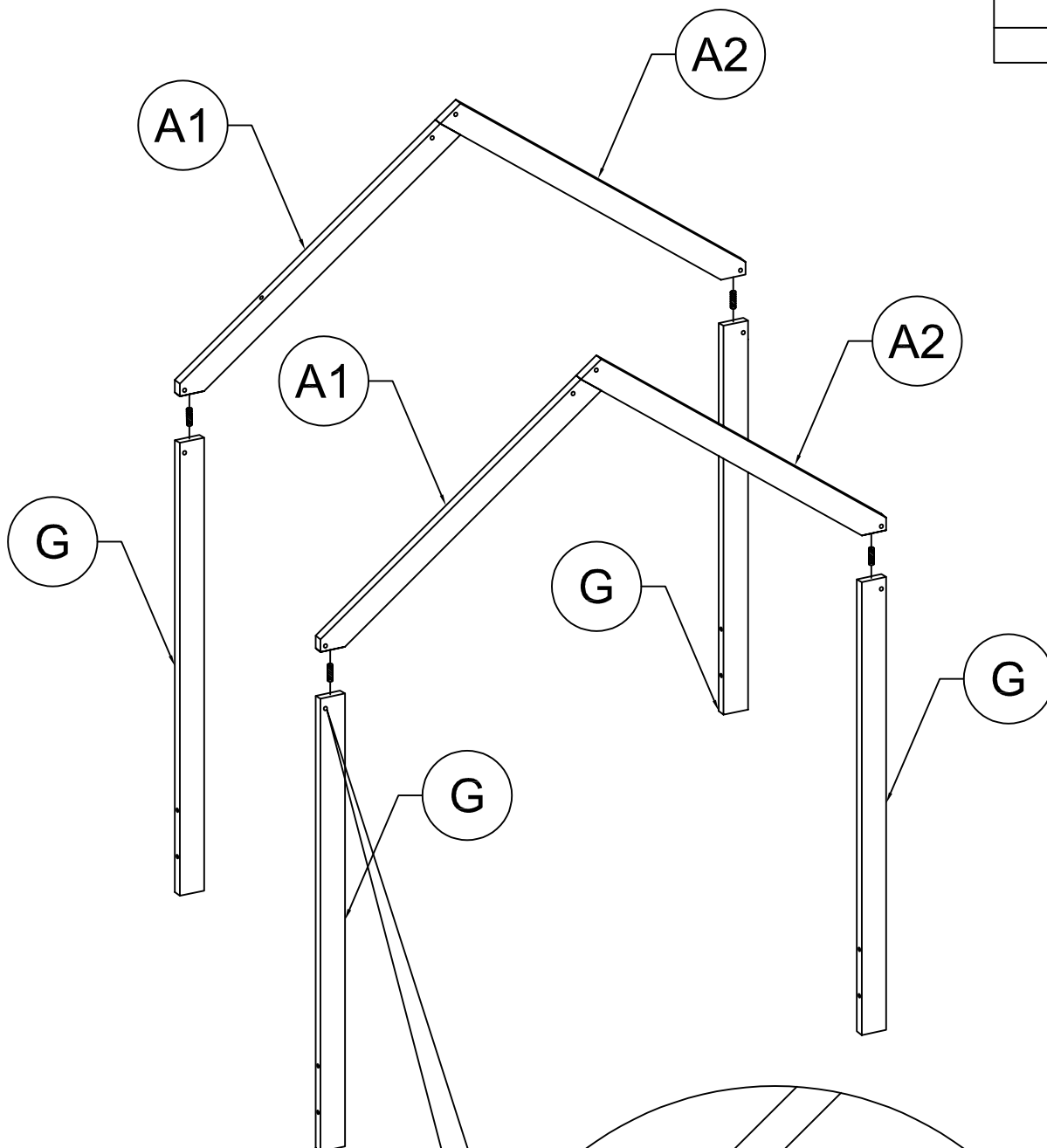


STEP 3: Following below illustration



2

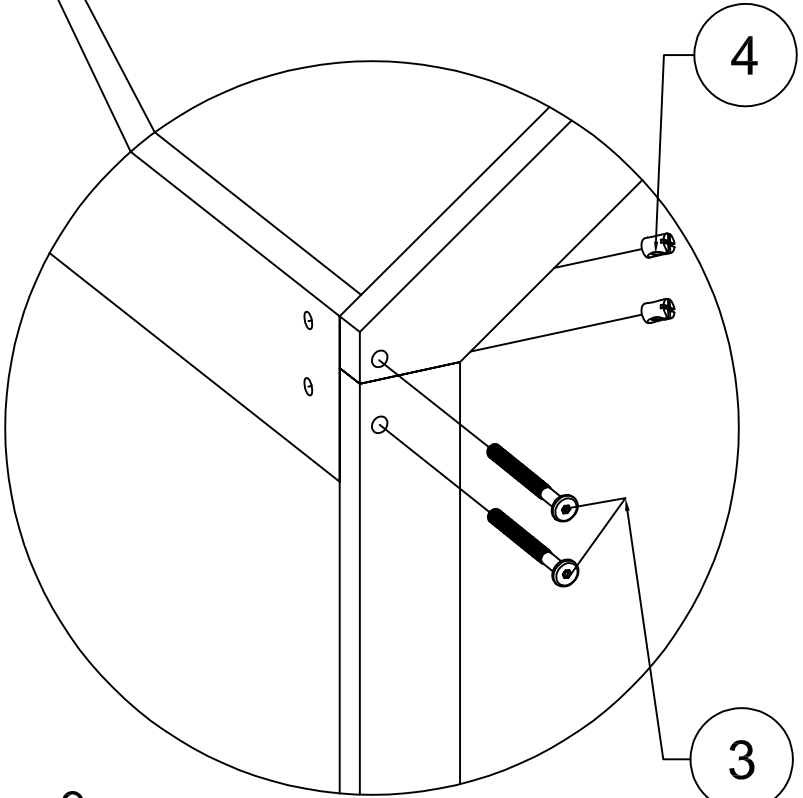
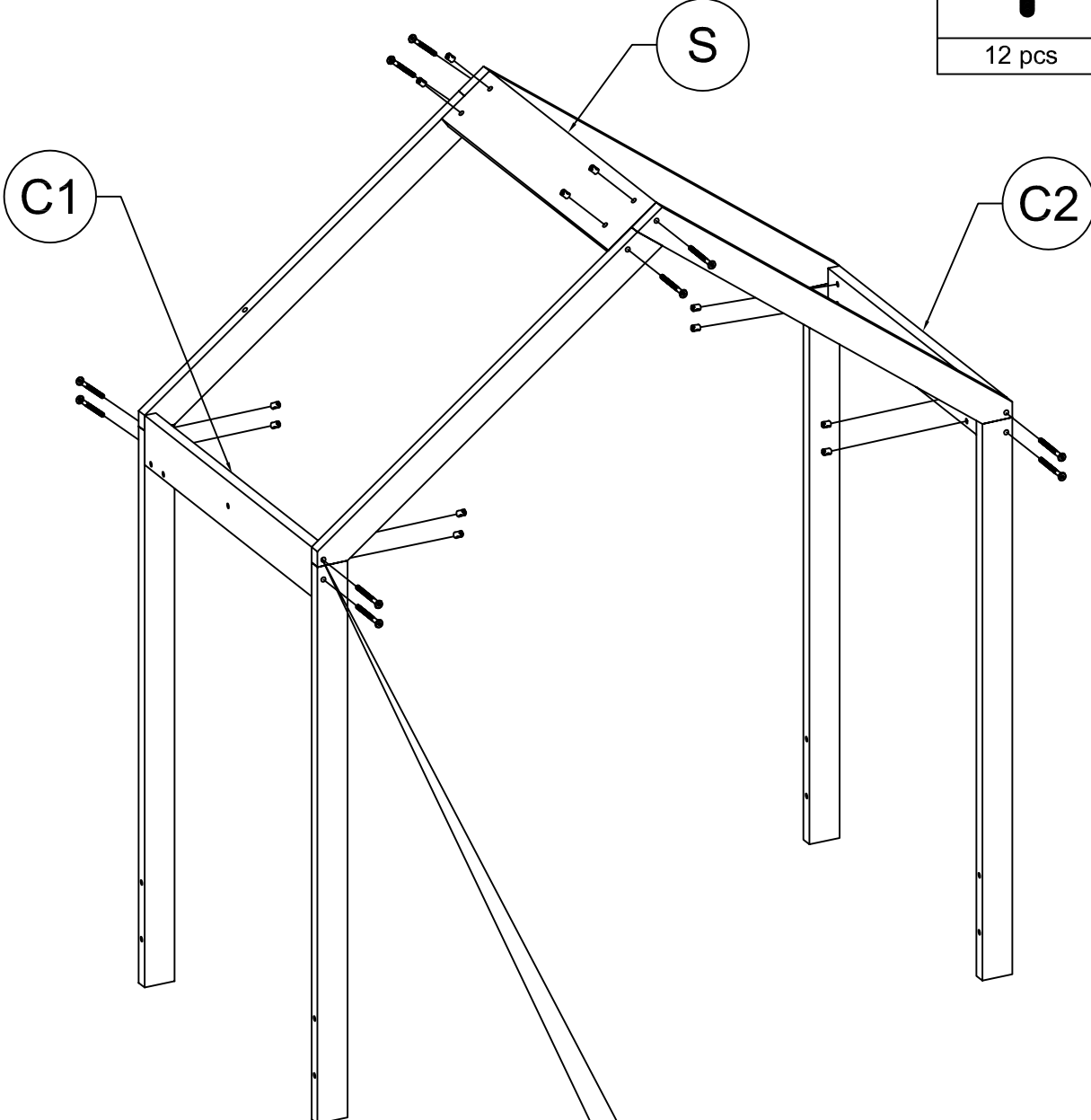


4 pcs






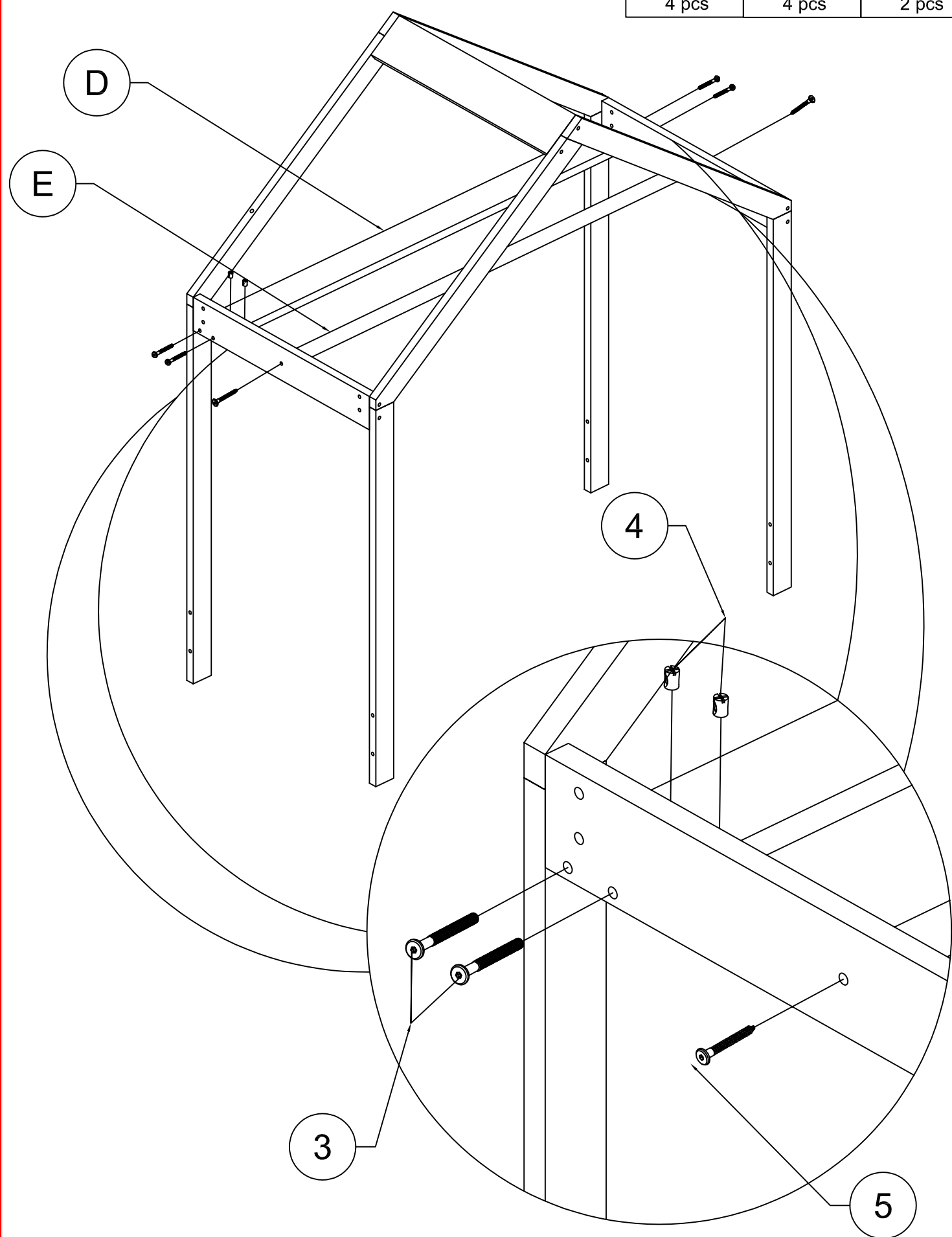
STEP 4: Following below illustration

3		4	
12 pcs		12 pcs	



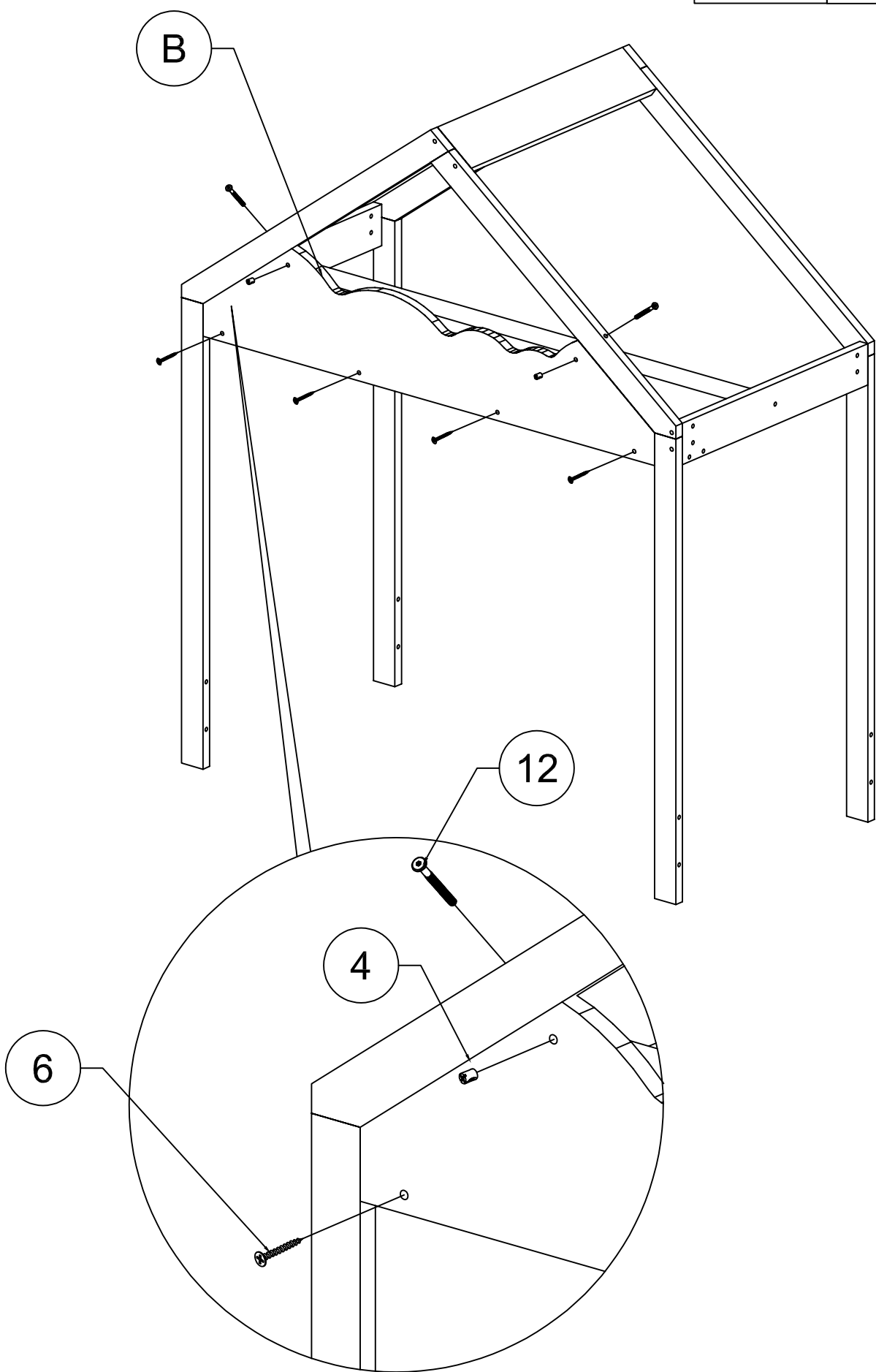
STEP 5: Following below illustration

3		4		5	
4 pcs		4 pcs		2 pcs	



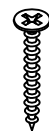
STEP 6: Following below illustration

12		4		6	
2 pcs		2 pcs		4 pcs	

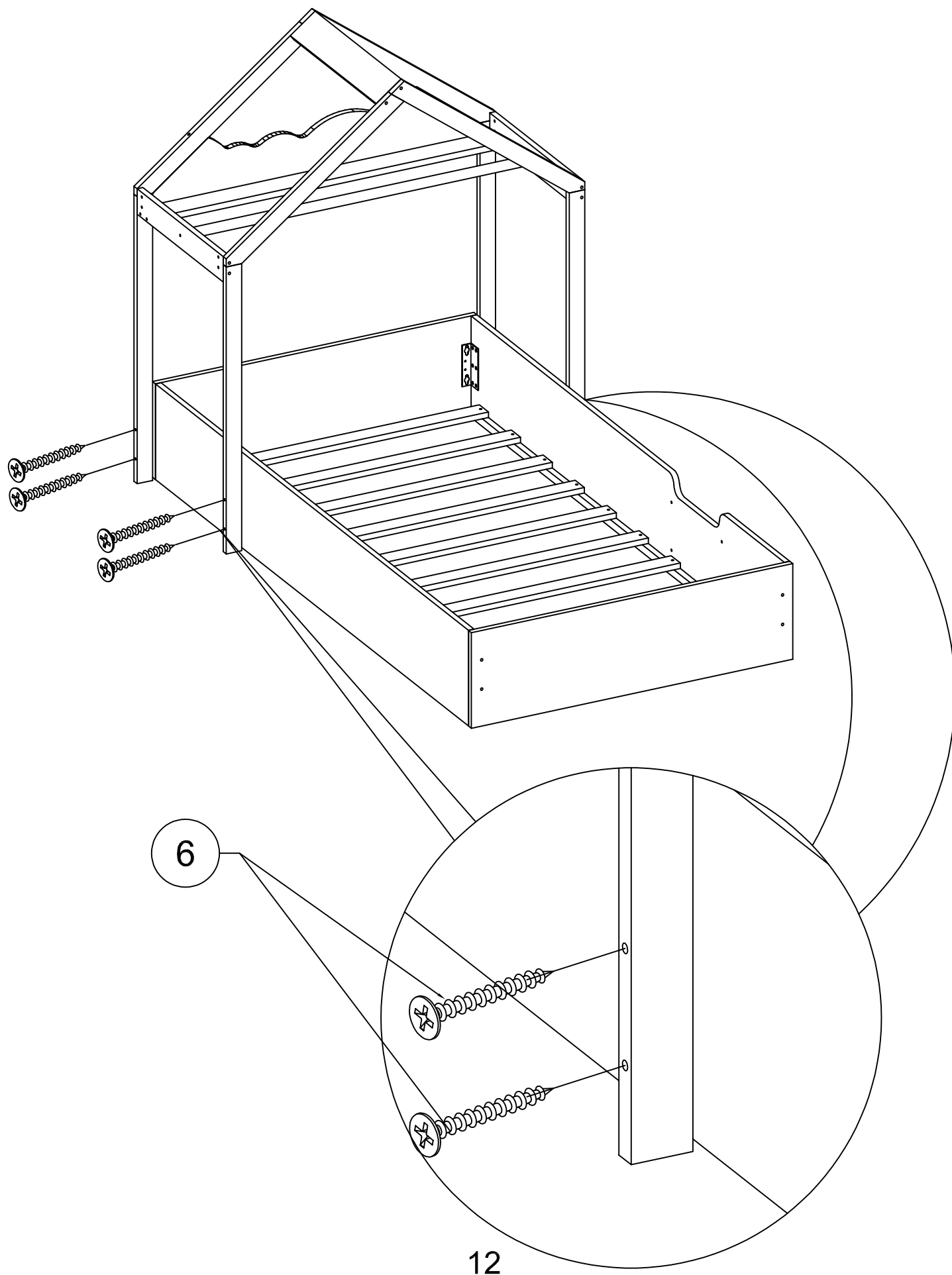


STEP 7: Following below illustration



6

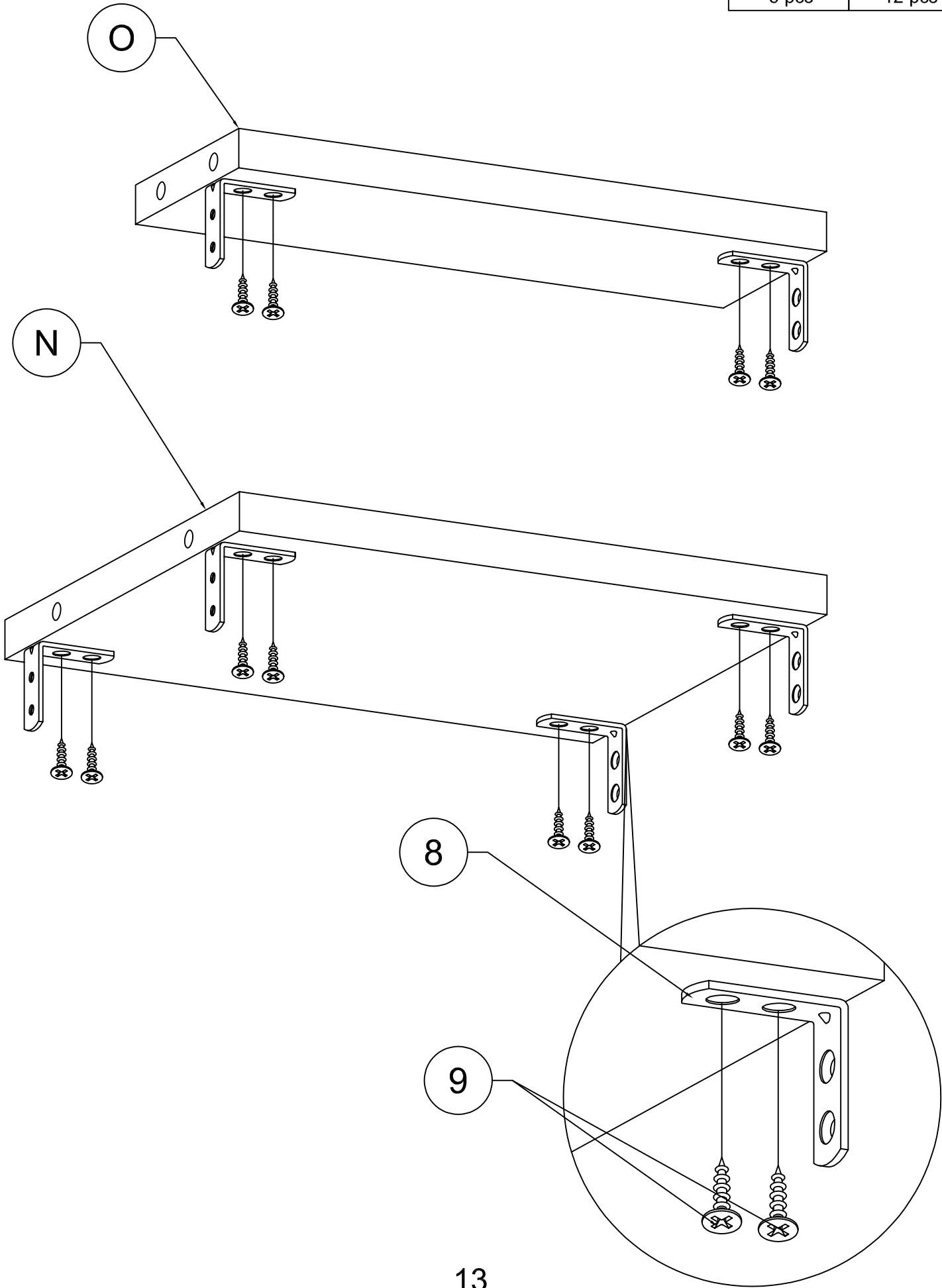


8 pcs



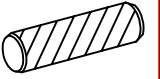
STEP 8: Following below illustration

8	9
	
6 pcs	12 pcs

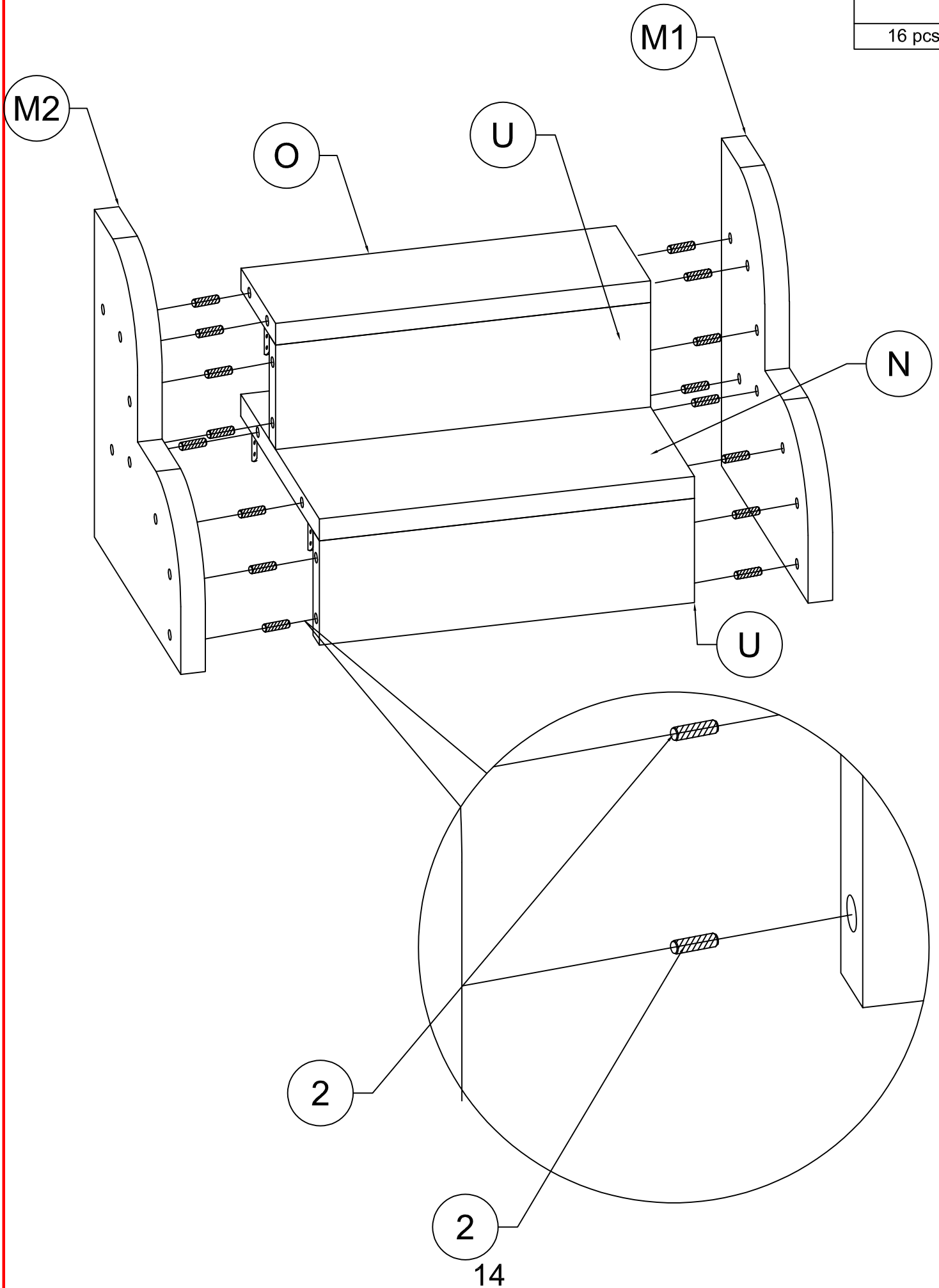


STEP 9: Following below illustration

2



16 pcs

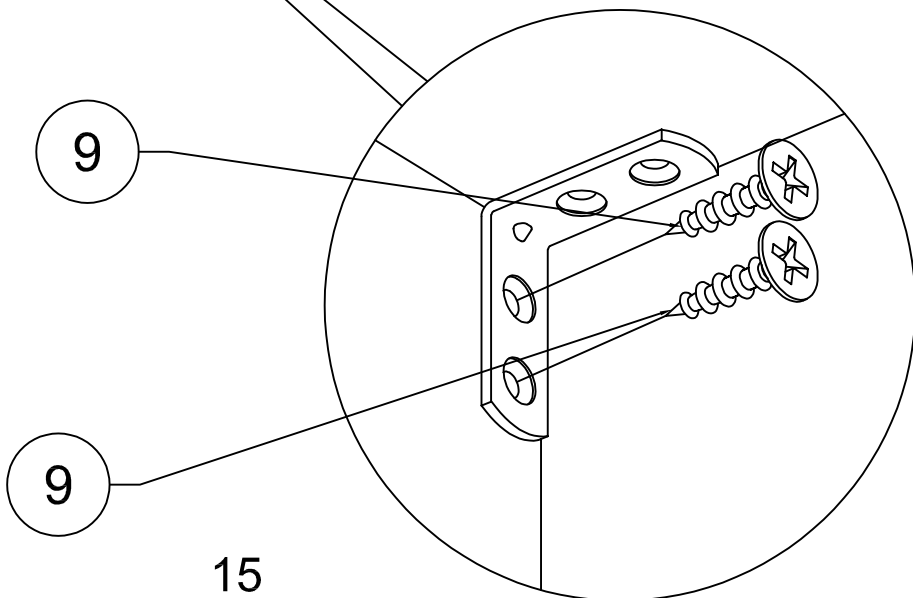
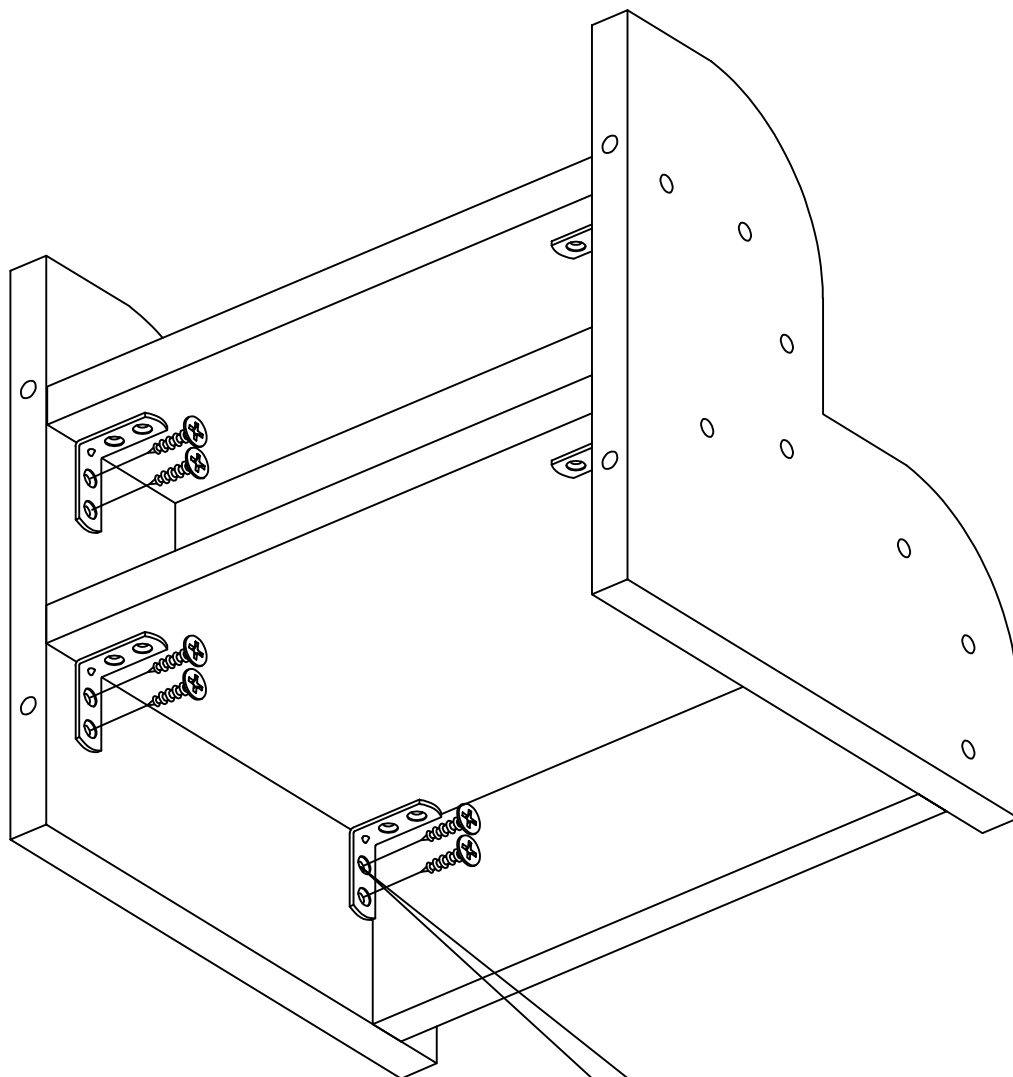


STEP 10: Following below illustration

9



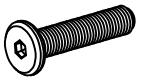
12 pcs



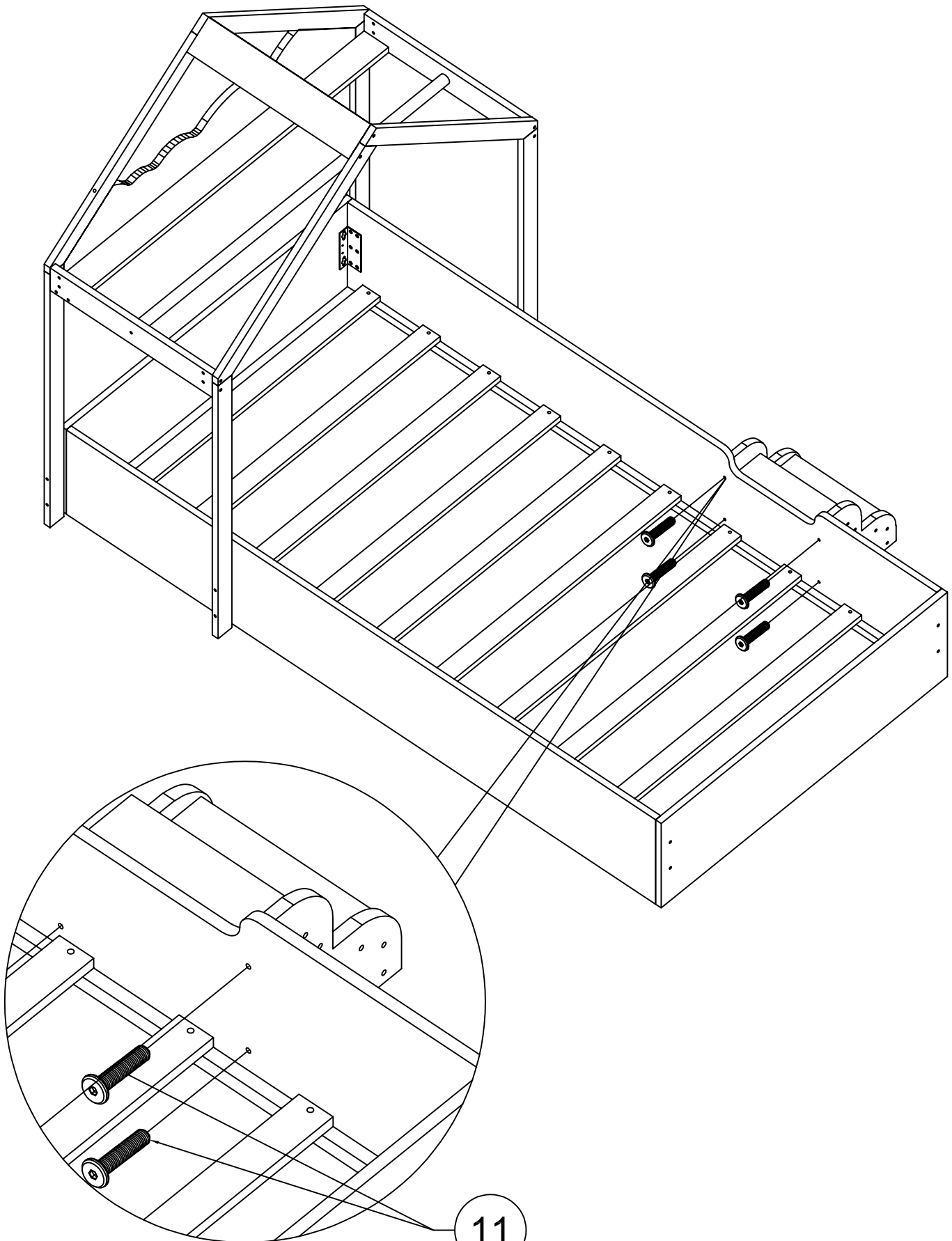
15

STEP 11: Following below illustration

11



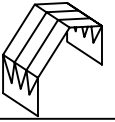
4 pcs



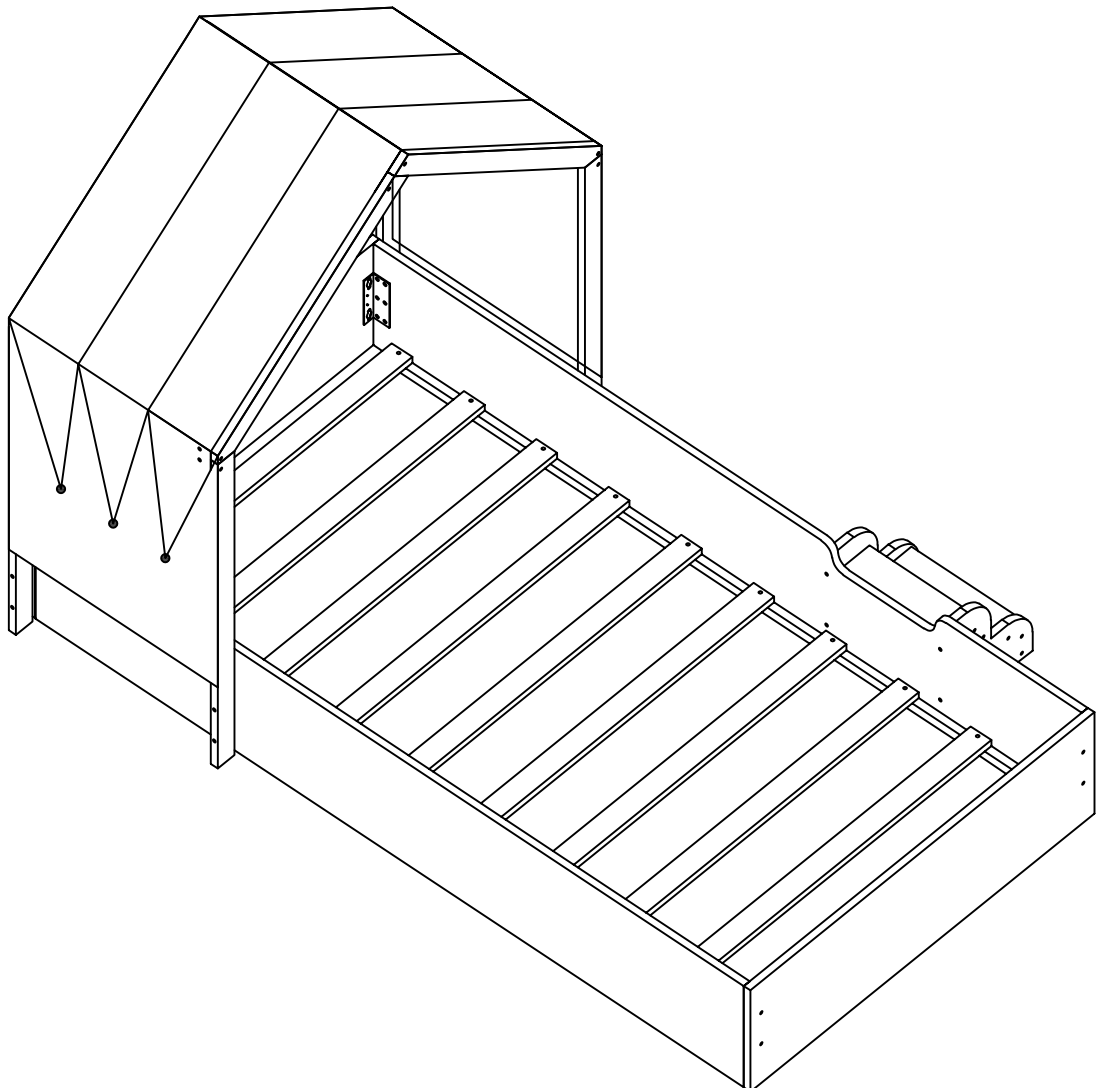
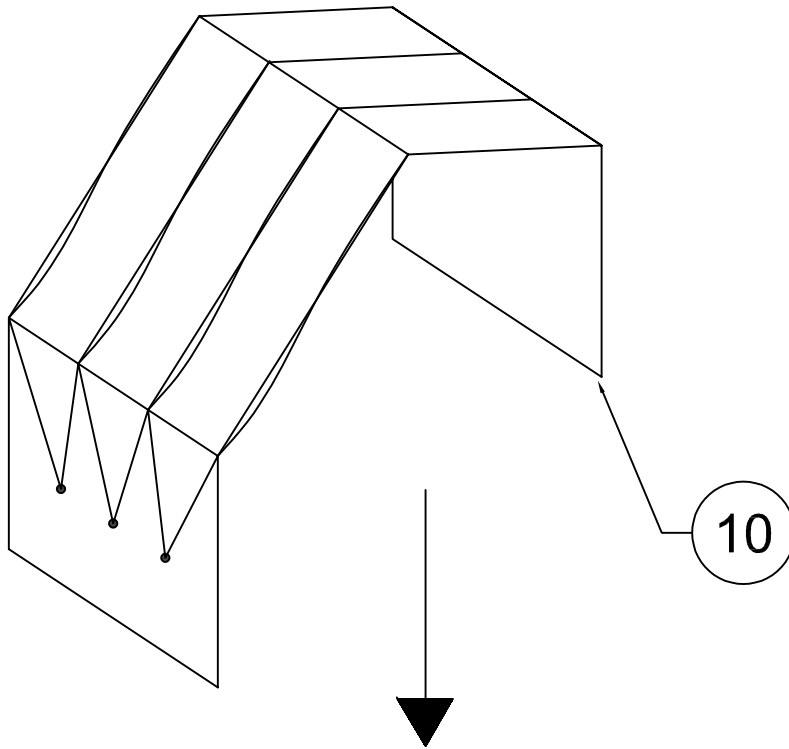
11

STEP 12: Following below illustration

10



1 pcs



STEP 13: Following below illustration

