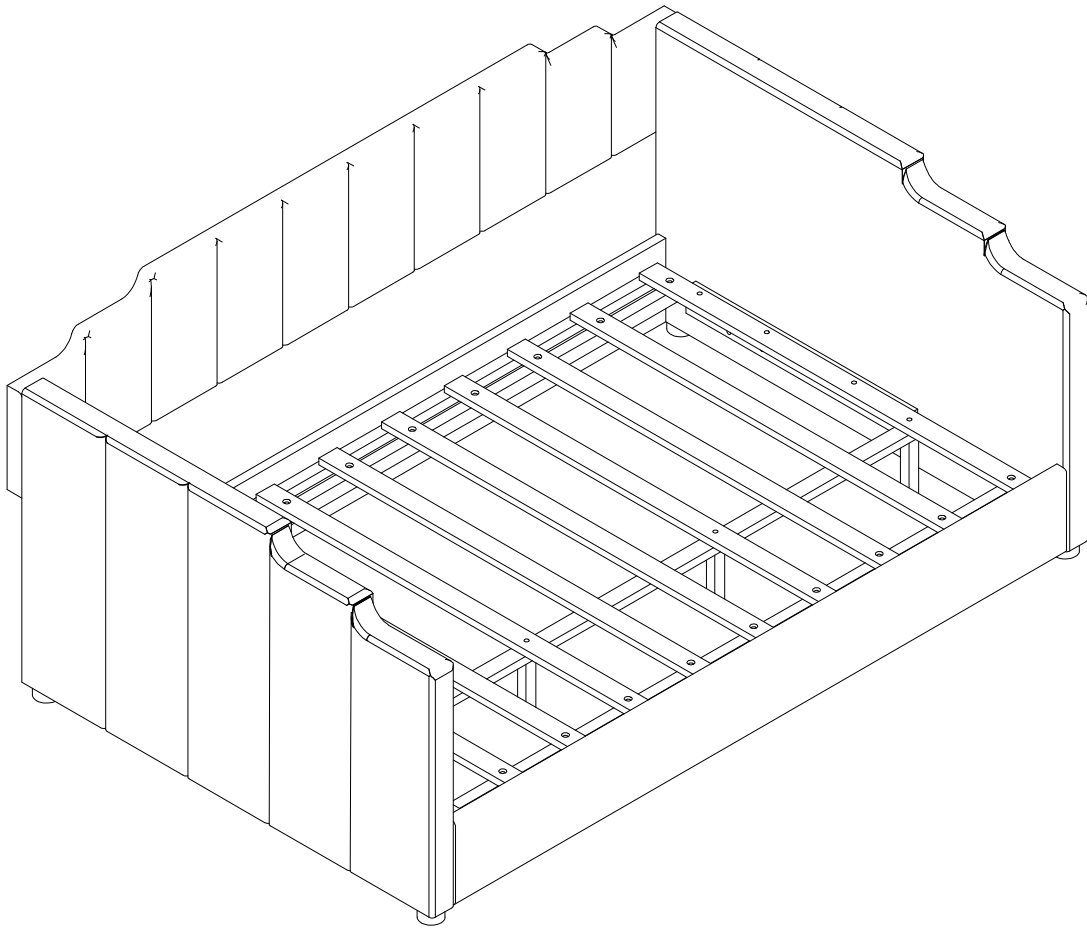
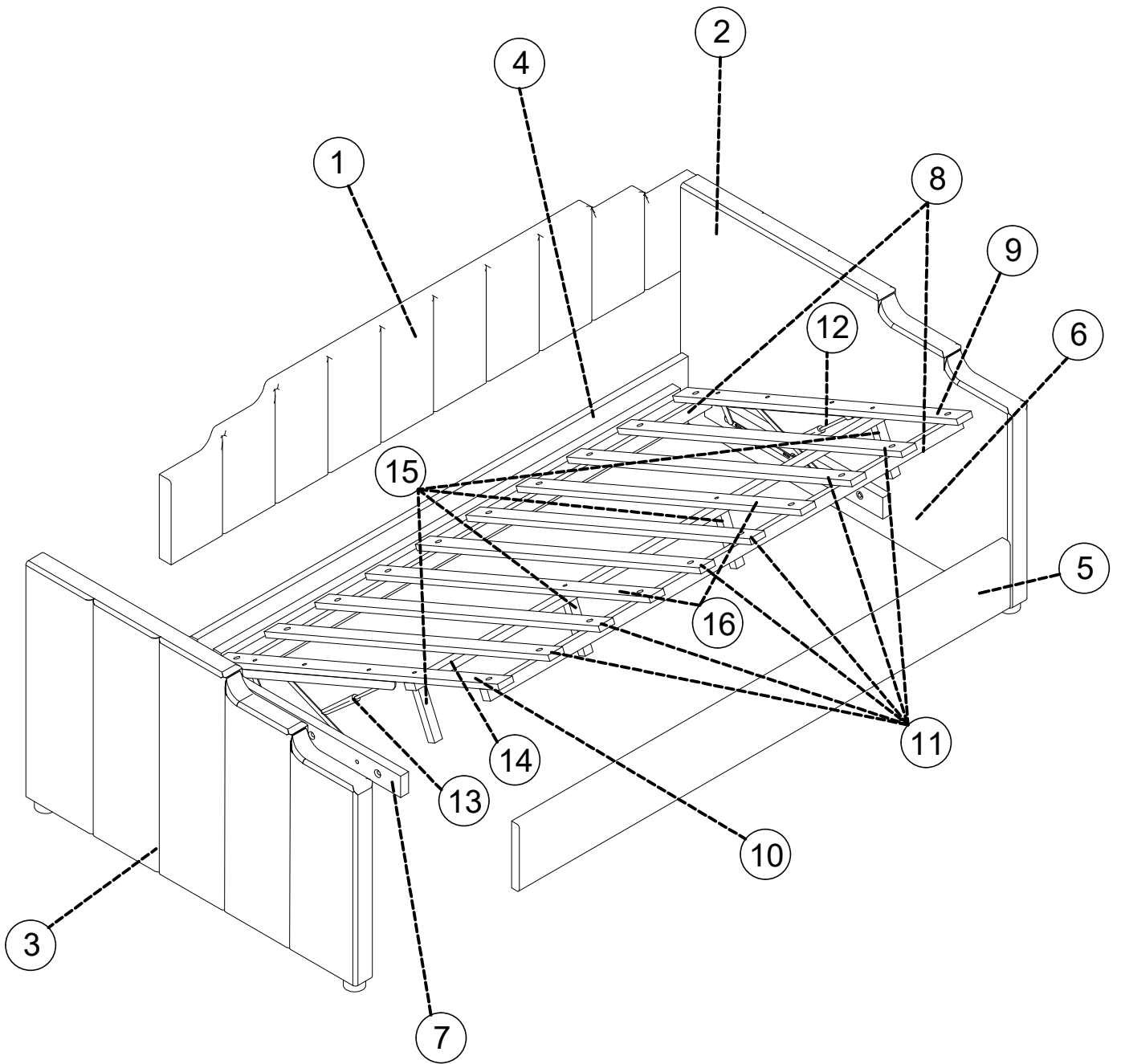


# ASSEMBLY INSTRUCTION

**SKU CODE: (WF326240/WF326241)**

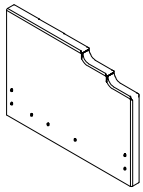
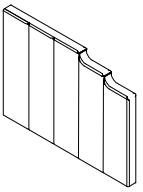
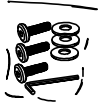
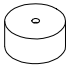
**This set included 2 boxex if do not receive full 2 boxex. Please contact our customer service team**



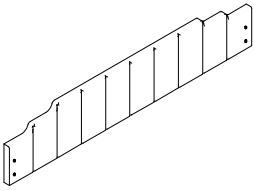
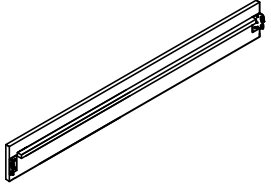
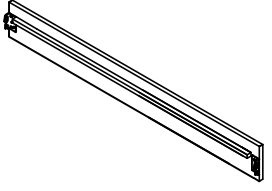
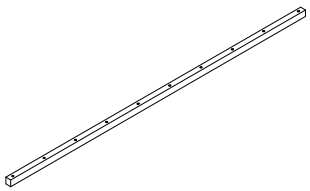

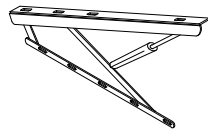
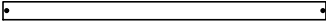
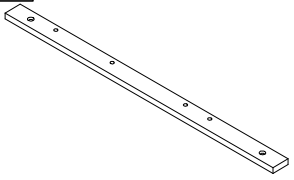
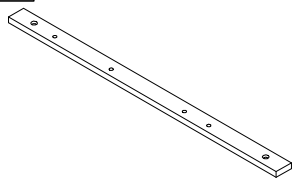

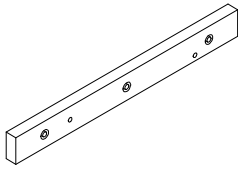
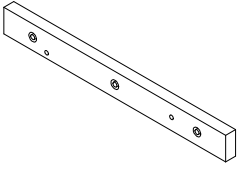
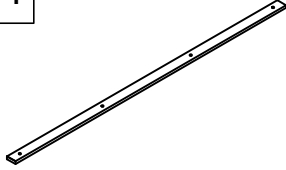



# Part List

BOX 1/2: **WF326241**

|  |  |   |
|--|--|---|
| <p>2</p>  <p>Side board Right -1pc</p>  | <p>3</p>  <p>Side board Left -1pc</p> | <p>Hardware</p>  |
| <p>L</p>  <p>Legs Ø60x50x30mm- 4pcs</p> |  |   |











BOX 2/2: **WF326240**

|  |  |  |   |
|--|--|--|---|
| <p>1</p>  <p>Head board -1pc</p>           | <p>4</p>  <p>Back Rails -1pc</p>           | <p>5</p>  <p>Front Rails -1pc</p>        |   |
| <p>8</p>  <p>Bed support Slates -2pcs</p> | <p>13</p>  <p>Lift truck Left -1pc</p>    | <p>12</p>  <p>Lift truck Right -1pc</p> |   |
| <p>11</p>  <p>Slates-6pcs</p>              | <p>9</p>  <p>Slates Right-1pc</p>         | <p>10</p>  <p>Slates Left-1pc</p>        | <p>16</p>  <p>Slates-2pcs</p>      |
| <p>7</p>  <p>Bed side brace Left -1pc</p> | <p>6</p>  <p>Bed side brace Right-1pc</p> | <p>14</p>  <p>Bed support Slates-1pc</p> | <p>15</p>  <p>Legs middle-4pcs</p> |



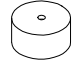
# HARDWARE

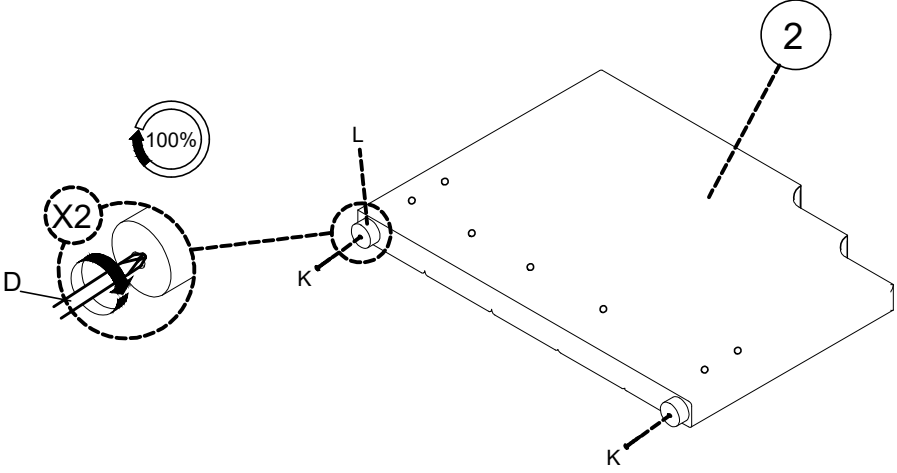
Check that you've received  
all hardware listed below.

## Hardware List



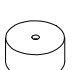
| No. | OUTLOOK   | DESC                          | QTY |
|-----|---|-------------------------------|-----|
| (A) |    | Bolts 5/16"x30 mm             | 8   |
| (B) |    | Plain washer Ø5/16"x19x1.5 mm | 22  |
| (C) |    | Spring washer Ø5/16"x12 mm    | 22  |
| (D) |    | Allen key 80x30x4 mm          | 1   |
| (E) |    | Bolts 5/16"x45 mm             | 14  |
| (F) |   | Bolts 1/4"x30 mm              | 20  |
| (G) |  | Bolts 1/4"x20 mm              | 10  |
| (H) |  | Plain washer Ø1/4"x19x1.5 mm  | 30  |
| (I) |  | Spring washer Ø1/4"x10 mm     | 30  |
| (K) |  | Screws Ø4x30 mm               | 4   |

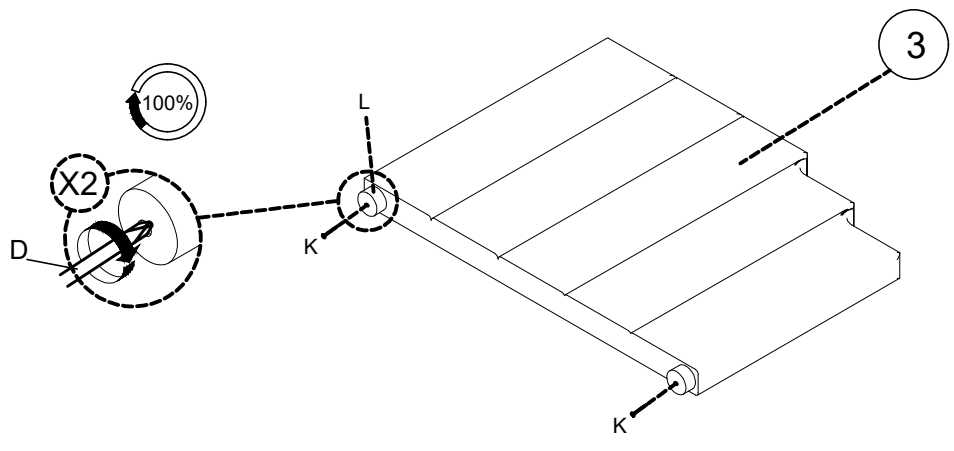
# STEP 1

|   |   |   |
|---|---|---|
| K x 2   | D x 1   | L x 2   |
|  |  |  |


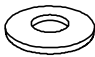




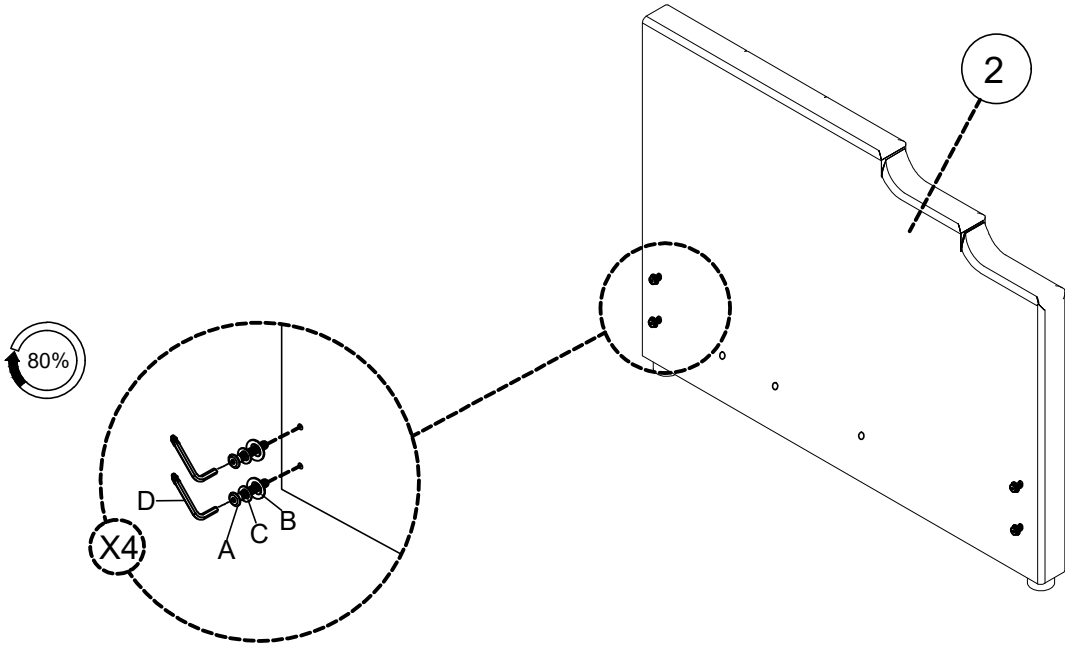
# STEP 2

|   |   |   |
|---|---|---|
| K x 2   | D x 1   | L x 2   |
|  |  |  |







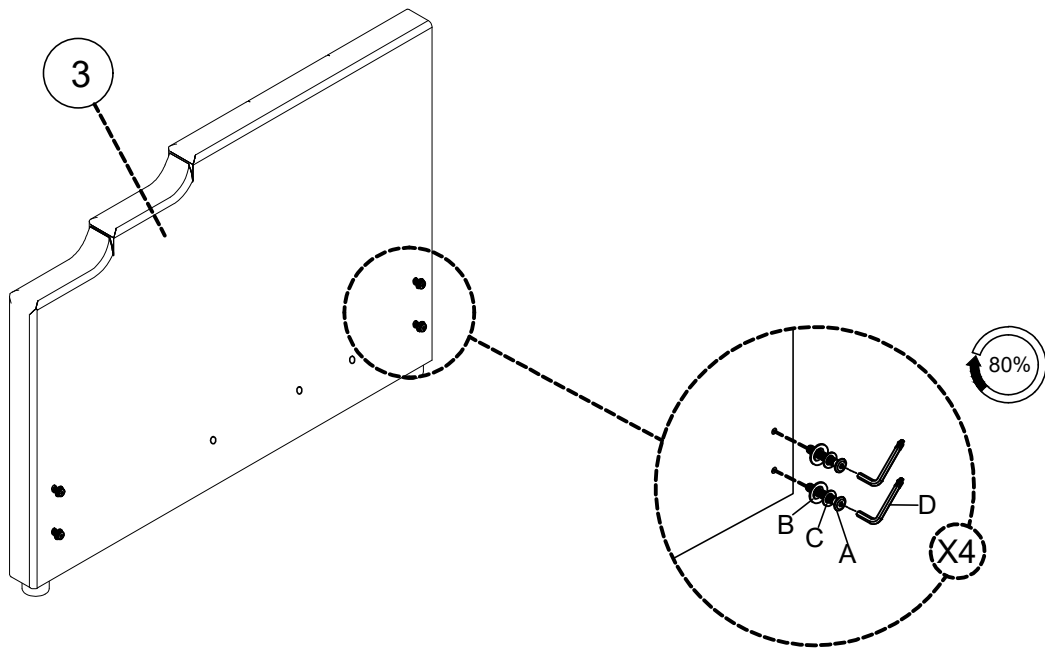
# STEP 3

|   |   |   |  |
|---|---|---|--|
| A x 4   | B x 4   | C x 4   | D x 1  |
|  |  |  |  |

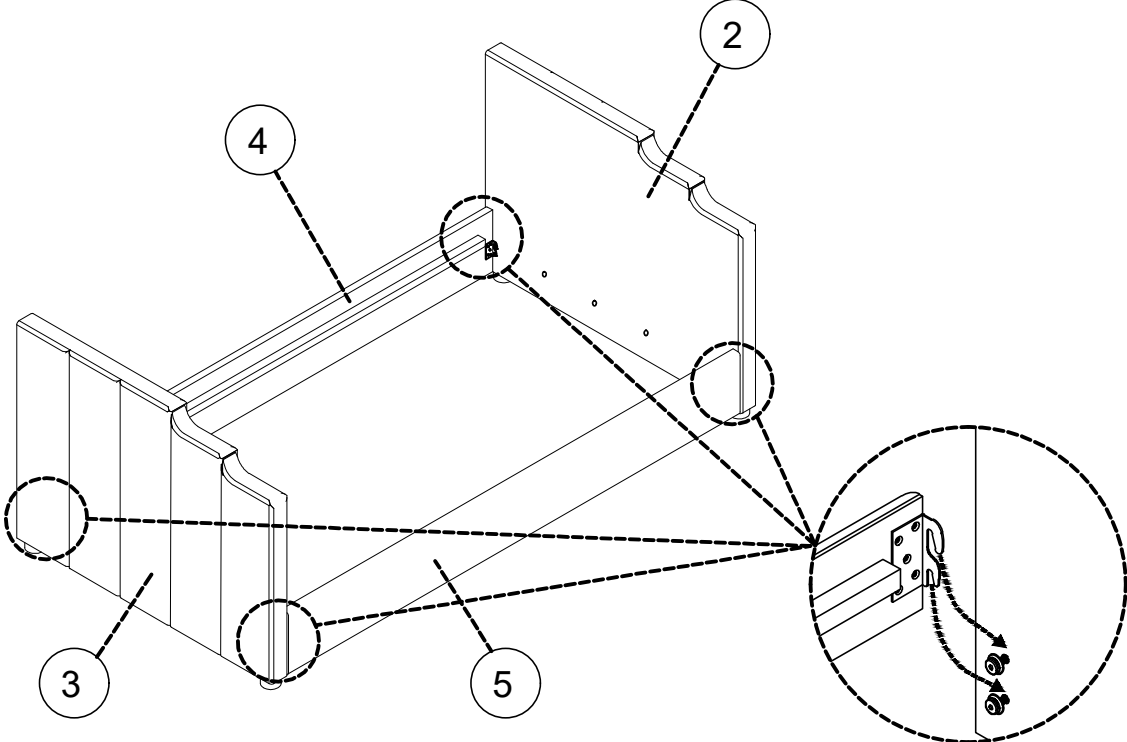


# STEP 4

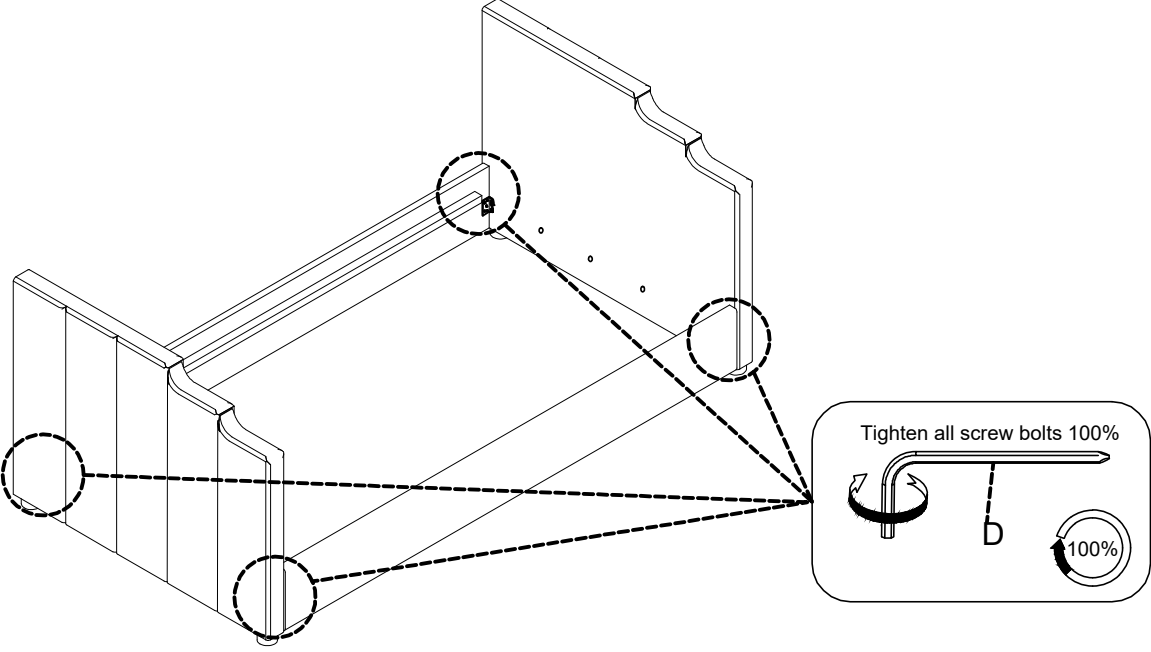
|   |   |   |  |
|---|---|---|--|
| A x 4   | B x 4   | C x 4   | D x 1  |
|  |  |  |  |



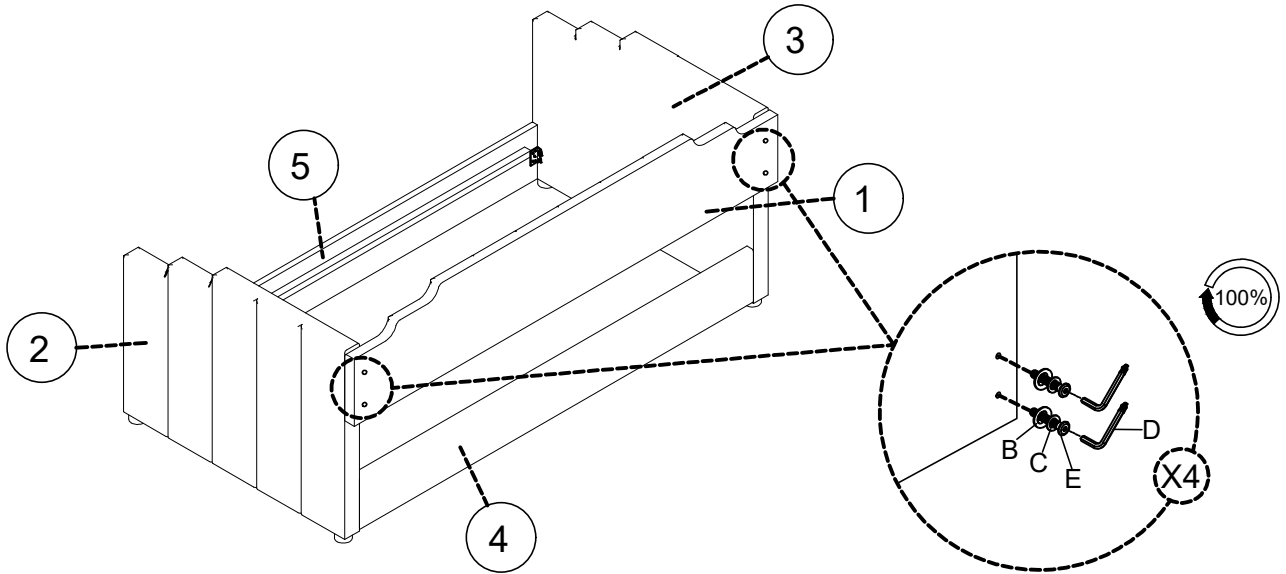
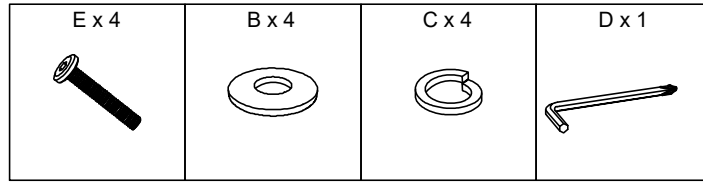
# STEP 5



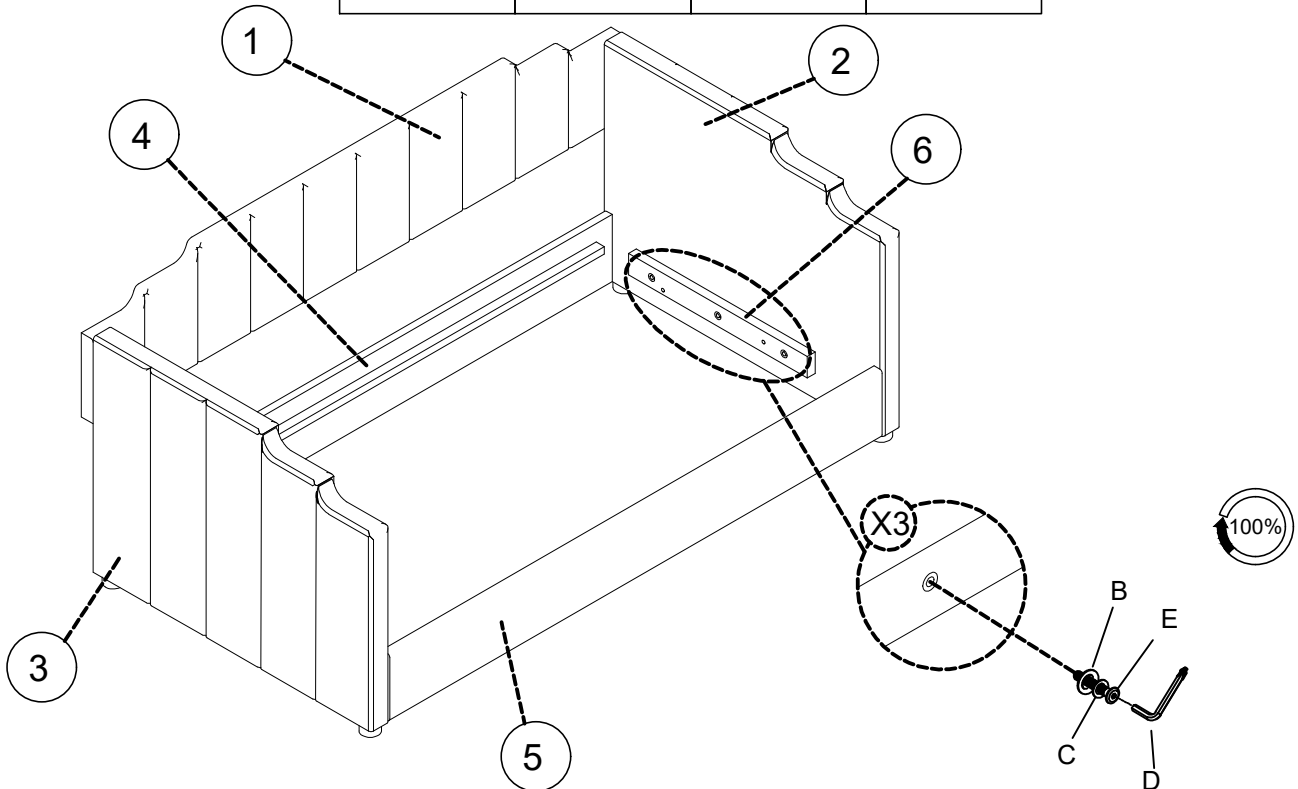
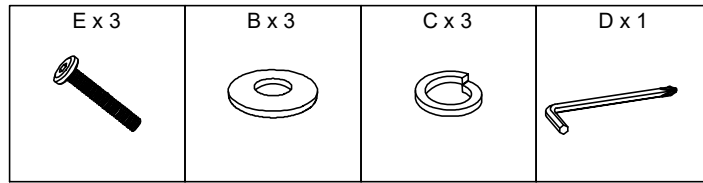
# STEP 6



# STEP 7


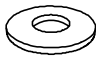




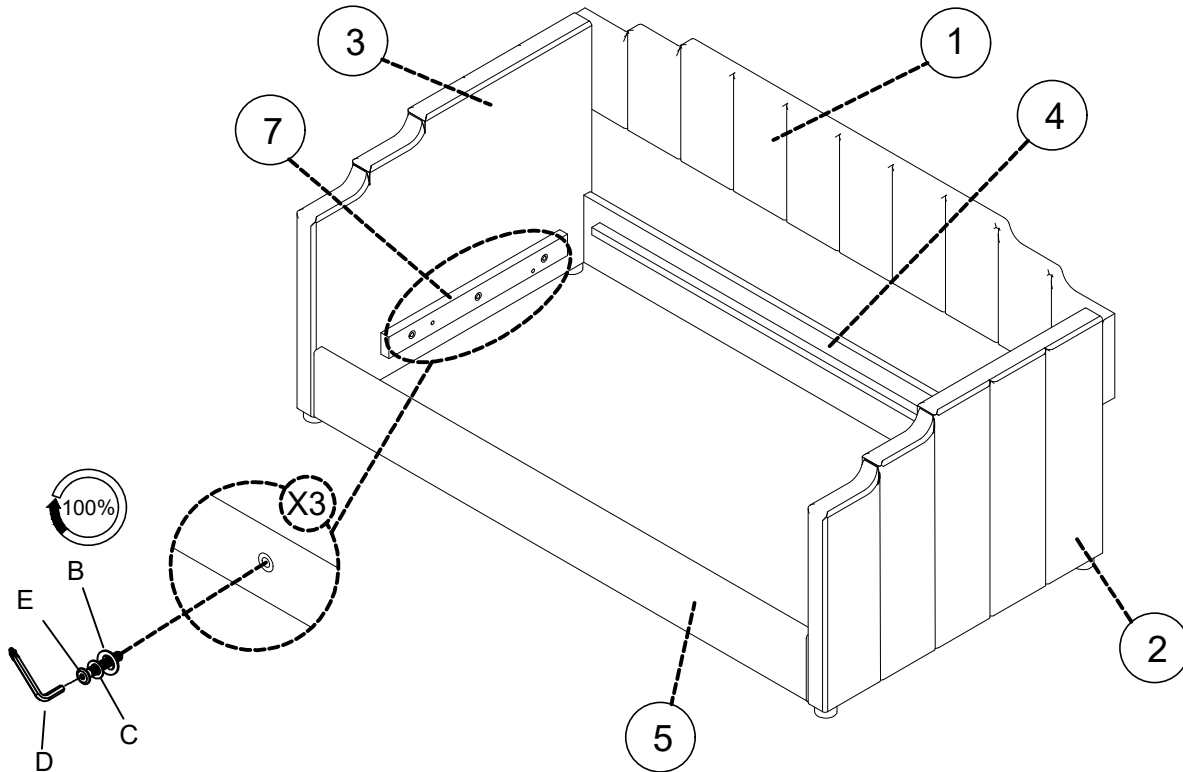
# STEP 8









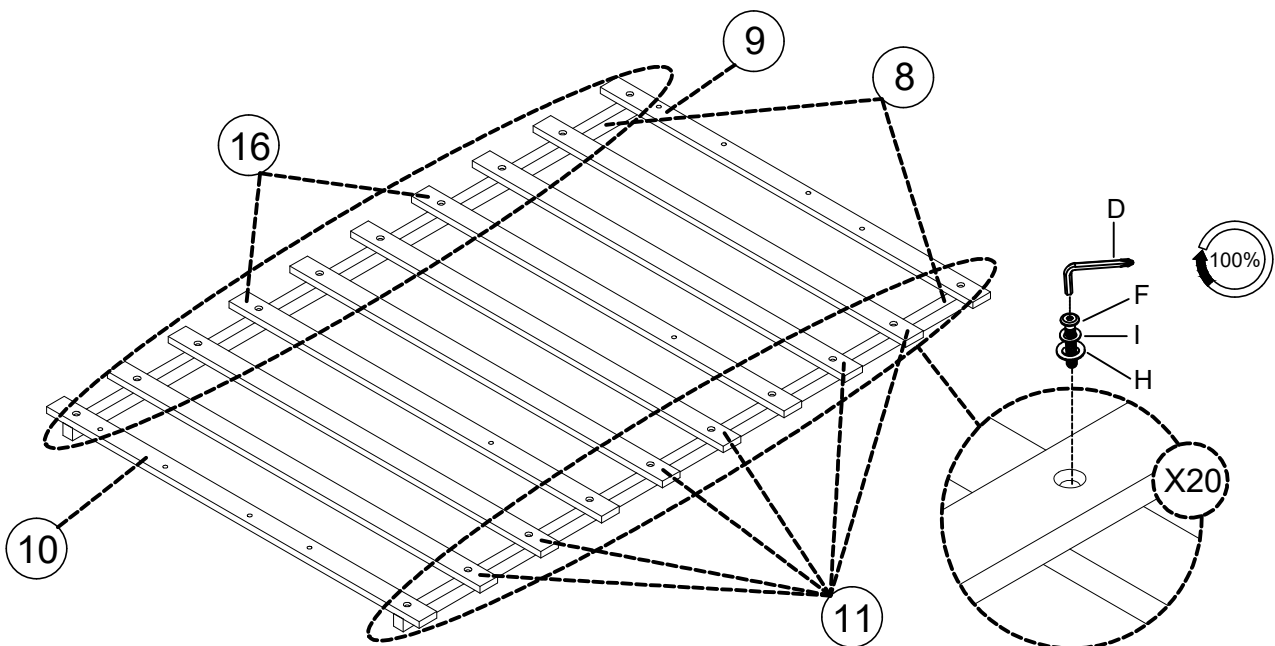
# STEP 9

|   |   |   |  |
|---|---|---|--|
| E x 3   | B x 3   | C x 3   | D x 1  |
|  |  |  |  |

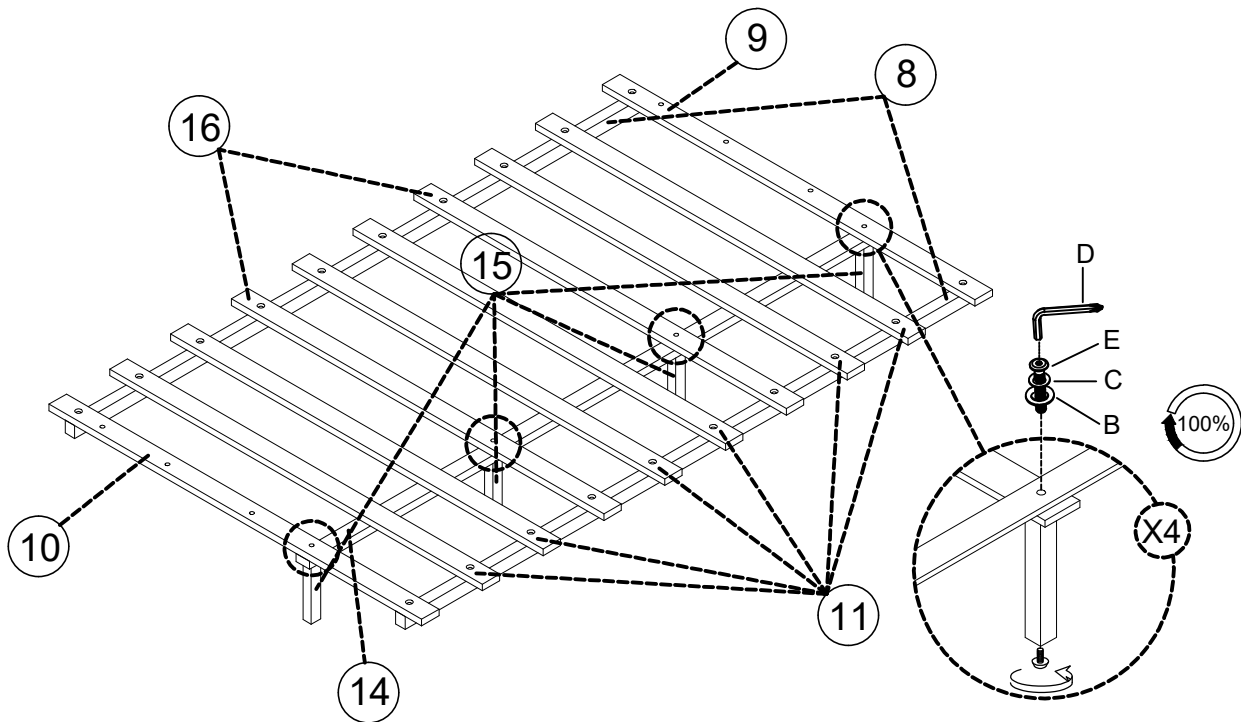
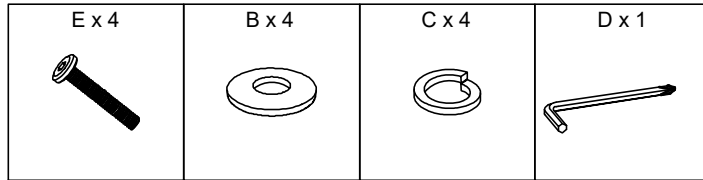


# STEP 10

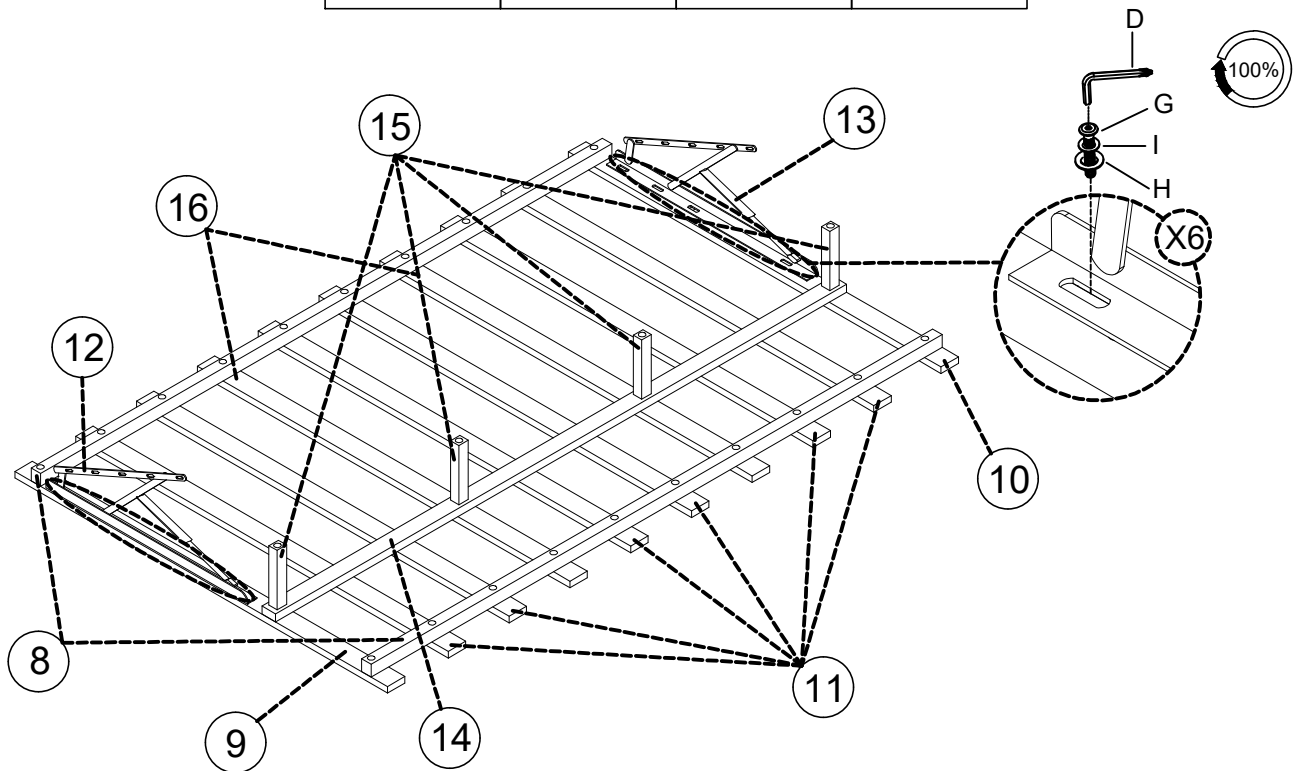
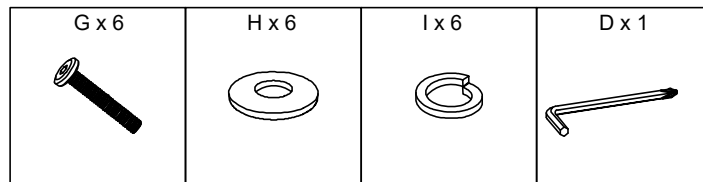
|   |   |   |   |
|---|---|---|---|
| F x 20  | H x 20  | I x 20  | D x 1   |
|  |  |  |  |



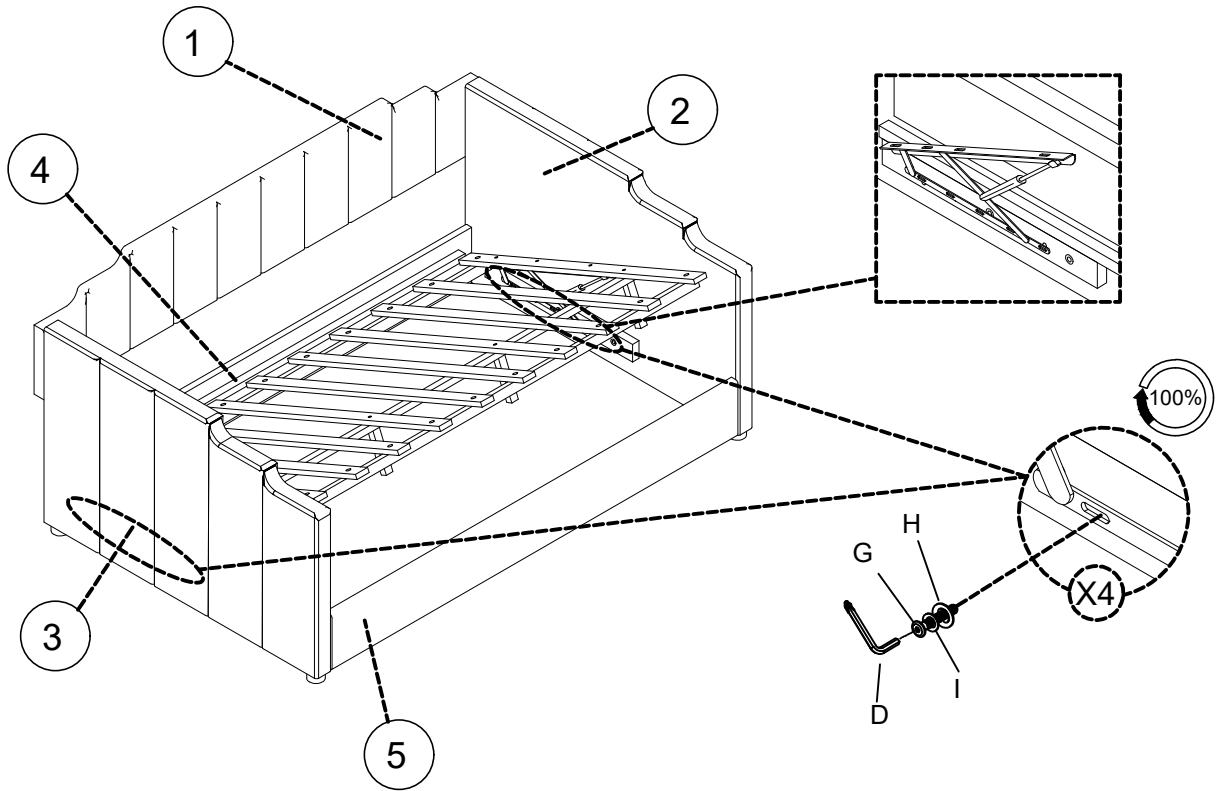
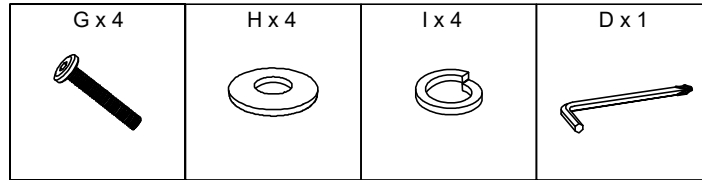
# STEP 11



# STEP 12



# STEP 13



# COMPLETE

