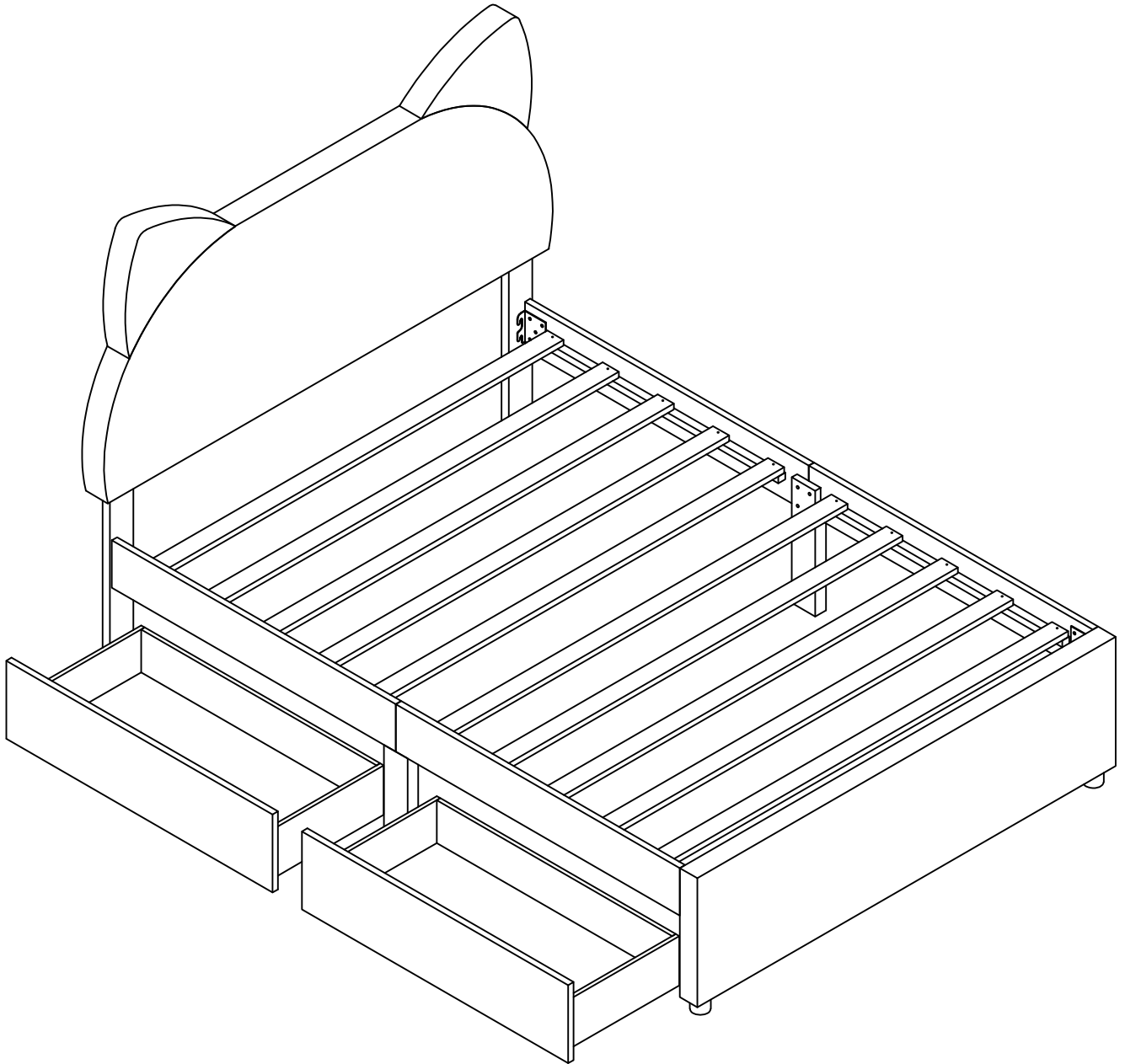
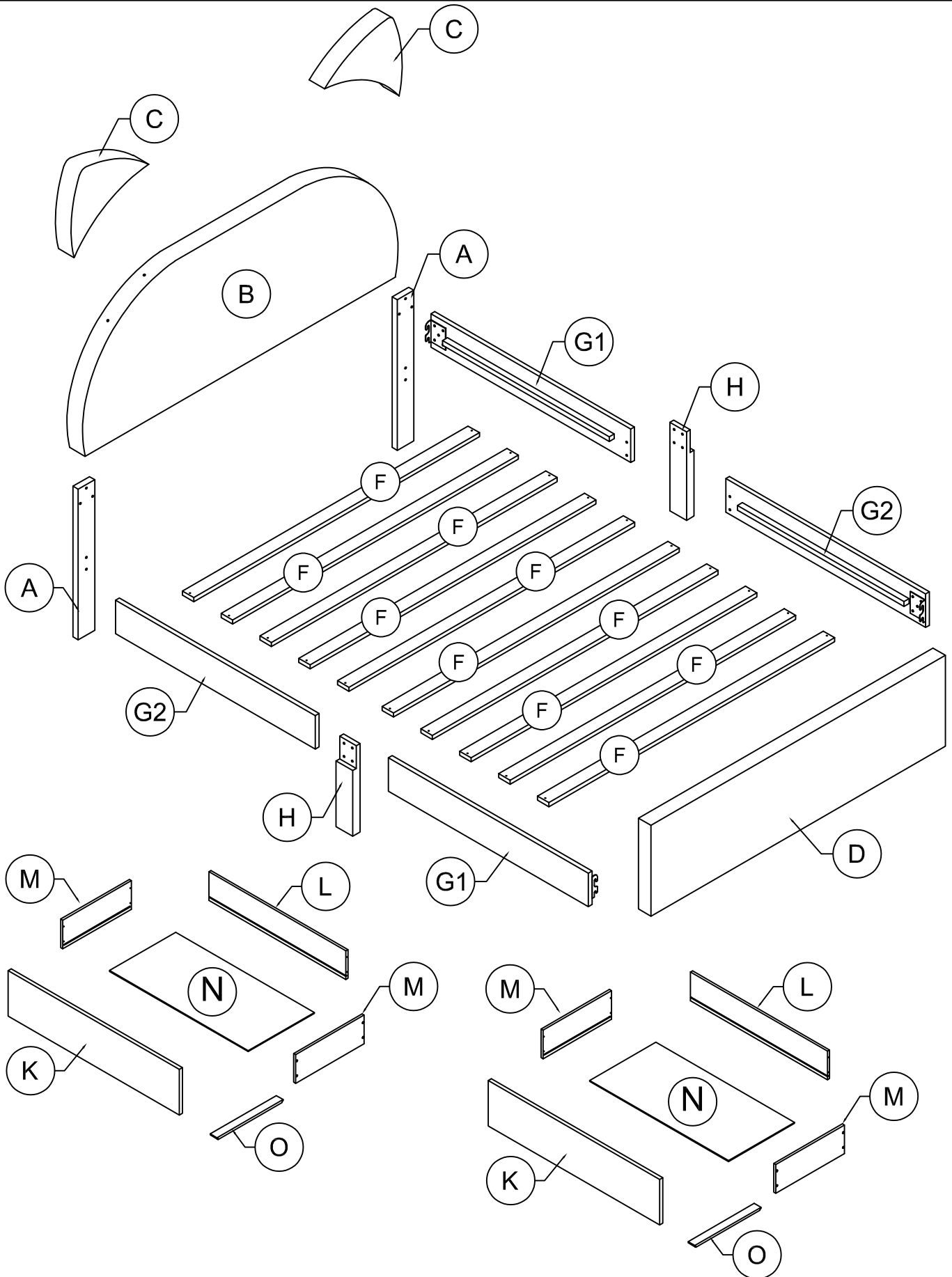


ASSEMBLY INSTRUCTION

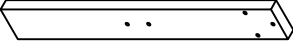
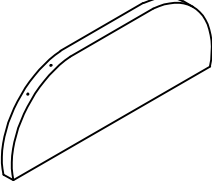

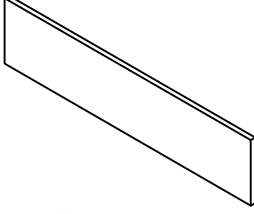
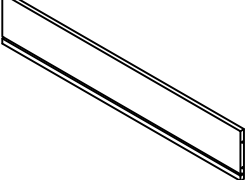
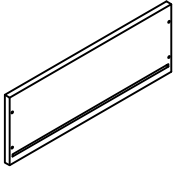
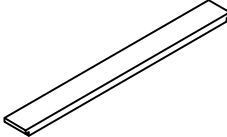

SKU CODE: (WF321943/WF321944)



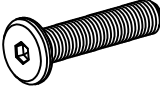
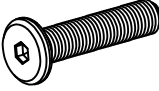

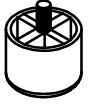



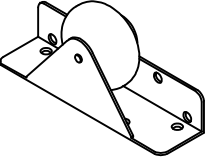
ASSEMBLY INSTRUCTION

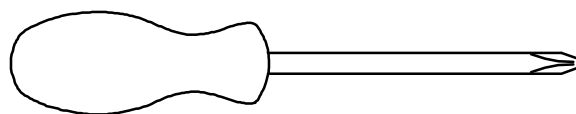


Part List (WF321943)

<p>A</p>  <p>Leg (HB Font) - 2pcs</p>	<p>B</p>  <p>Head board - 1pcs</p>	<p>C</p>  <p>Ears - 2pcs</p>
<p>K</p>  <p>Drawer - Front panels - 2pcs</p>	<p>L</p>  <p>Drawer - Back panels - 2pcs</p>	<p>M</p>  <p>Drawer - Side panels - 4pcs</p>
<p>O</p>  <p>Drawer - Bar support - 2pcs</p>	<p>H</p>  <p>Legs - 2pcs</p>	

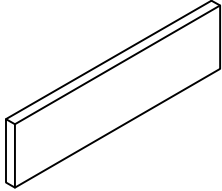
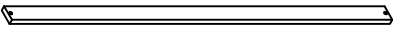
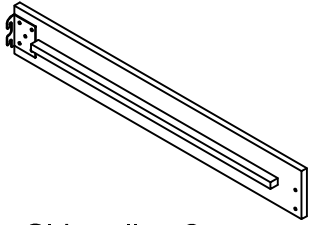
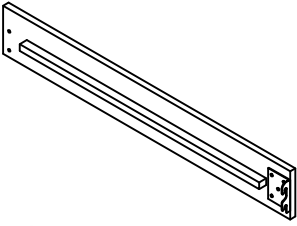
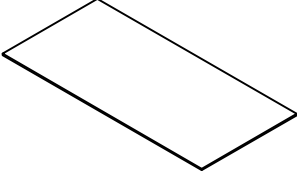
Hardware List (WF321943)

1  1/4" x 30mm Hex-Head bolts 16pcs	2  1/4" x 40mm Hex-Head bolts 10pcs	3  Allen Key 1pcs
4  Plastic Feet (Ø50 x 40) 2pcs	5  M4 x 15 mm Wood Screws 20pcs	6  M4 x 30 mm Wood Screws 36pcs
7  Plastic Drawer Stopper 4 pcs	8  Wheels 8pcs	

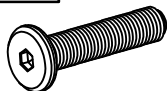
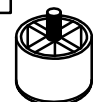


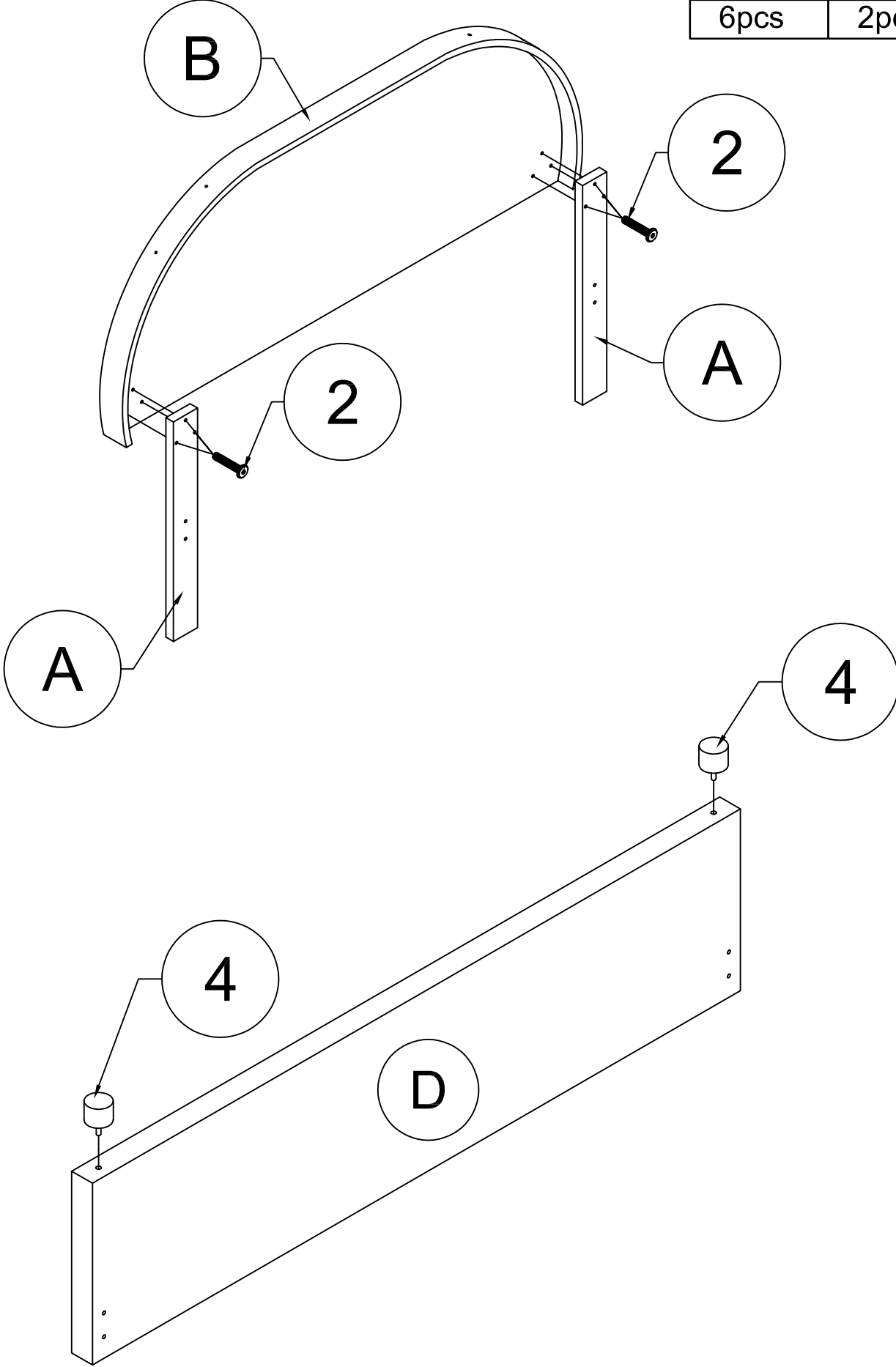
Assembly Tools Required (Not Included)

Part List (WF321944)

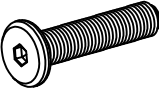
<p>D</p>  <p>Foot board - 1pcs</p>	<p>F</p>  <p>Slats - 10pcs</p>	<p>G1</p>  <p>Side rails - 2pcs</p>
<p>G2</p>  <p>Side rails - 2pcs</p>	<p>N</p>  <p>Drawer - Bottom panels - 2pcs</p>	

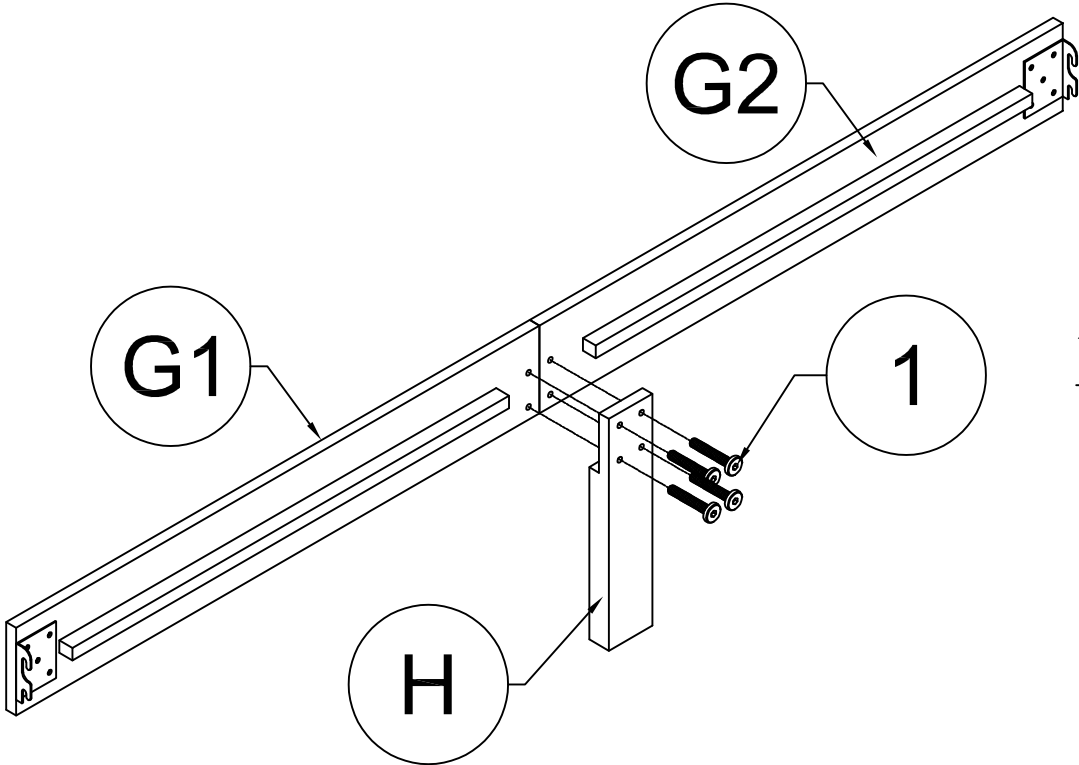
STEP 1: Following below illustration:

2	4
	
6pcs	2pcs



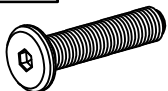
STEP 2: Following below illustration:

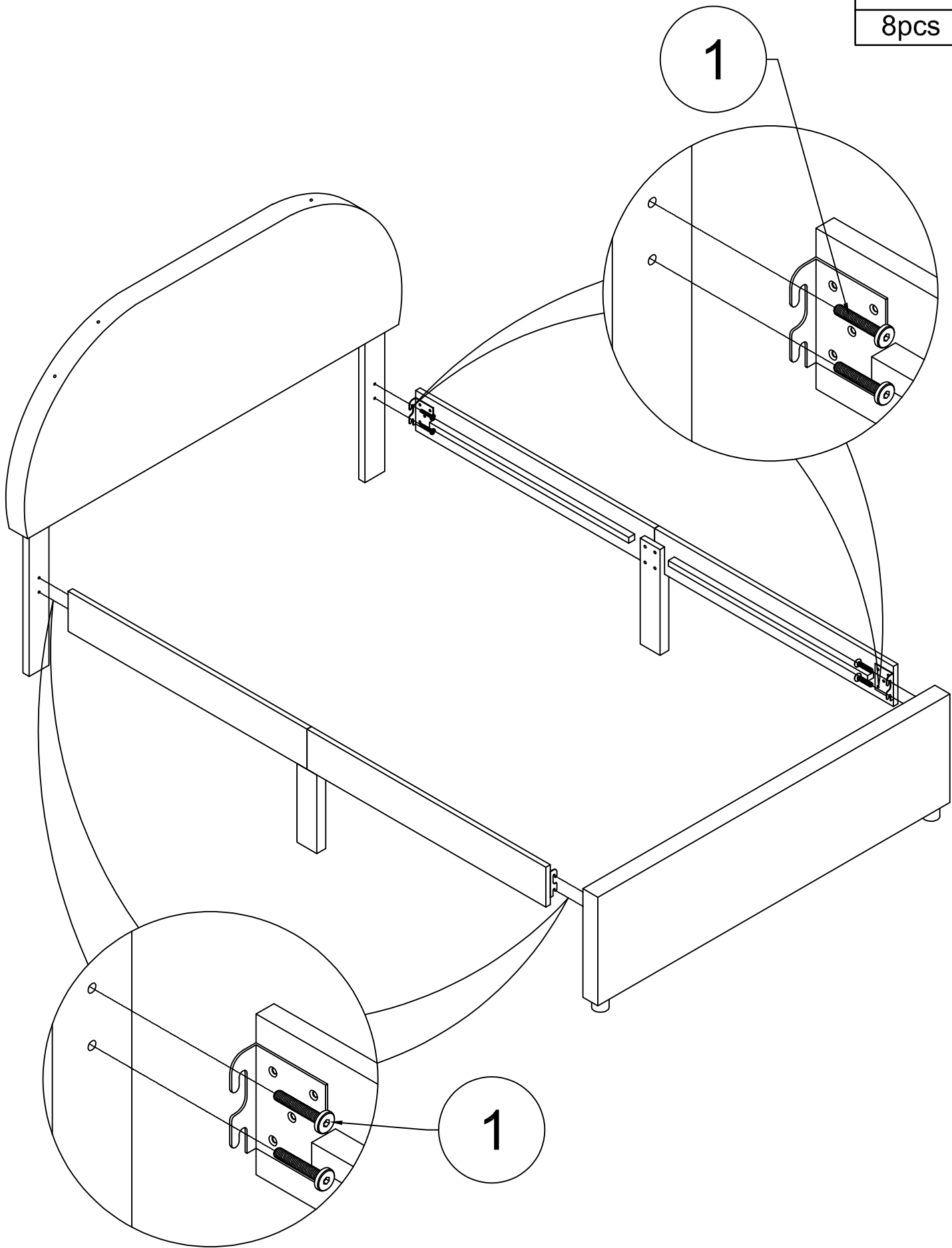
1

8pcs






x2

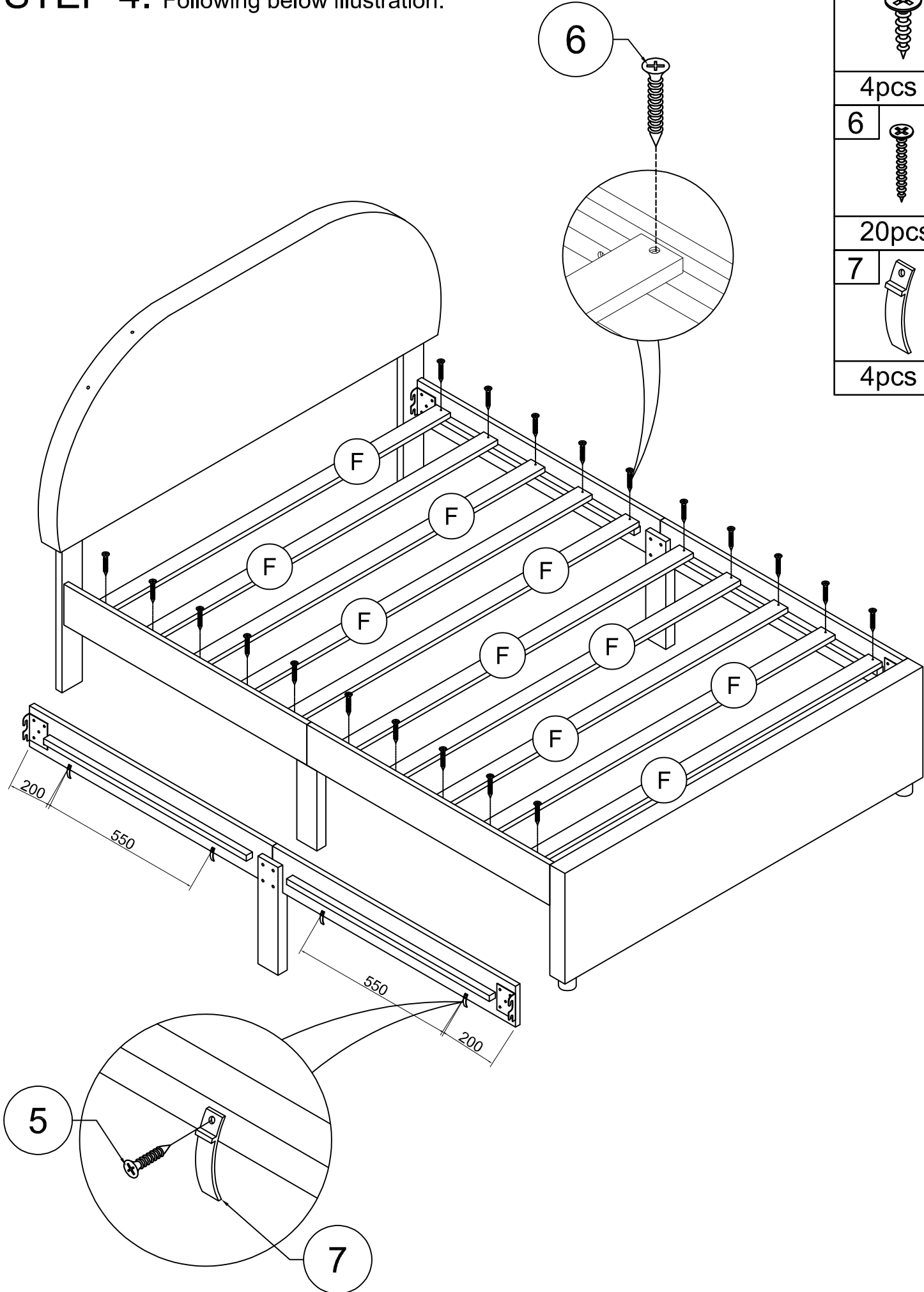
STEP 3: Following below illustration:

1

8pcs

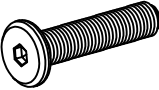


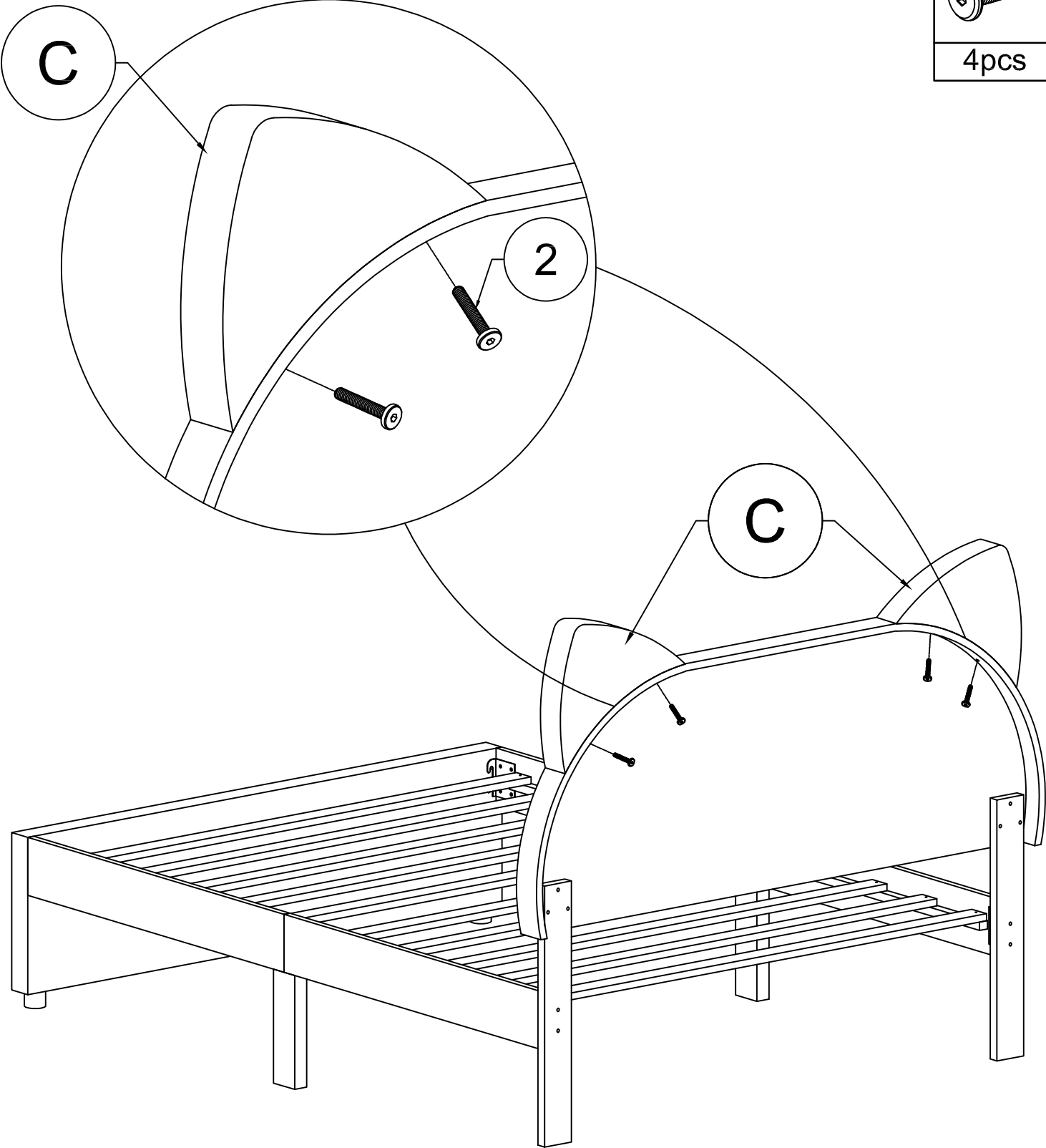
STEP 4: Following below illustration:

5	
4pcs	
6	
20pcs	
7	
4pcs	



STEP 5: Following below illustration:

2

4pcs

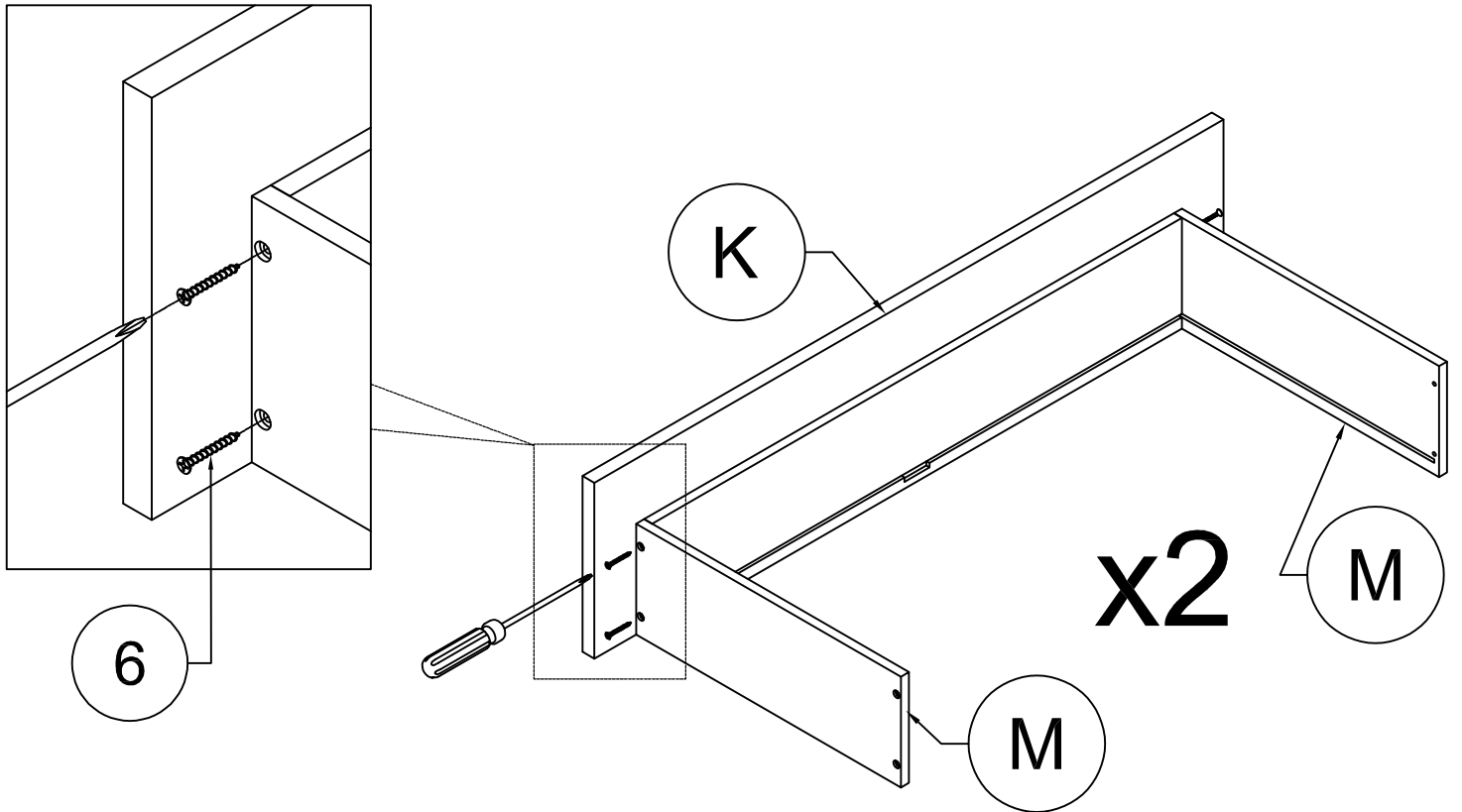


STEP 6: Following below illustration:

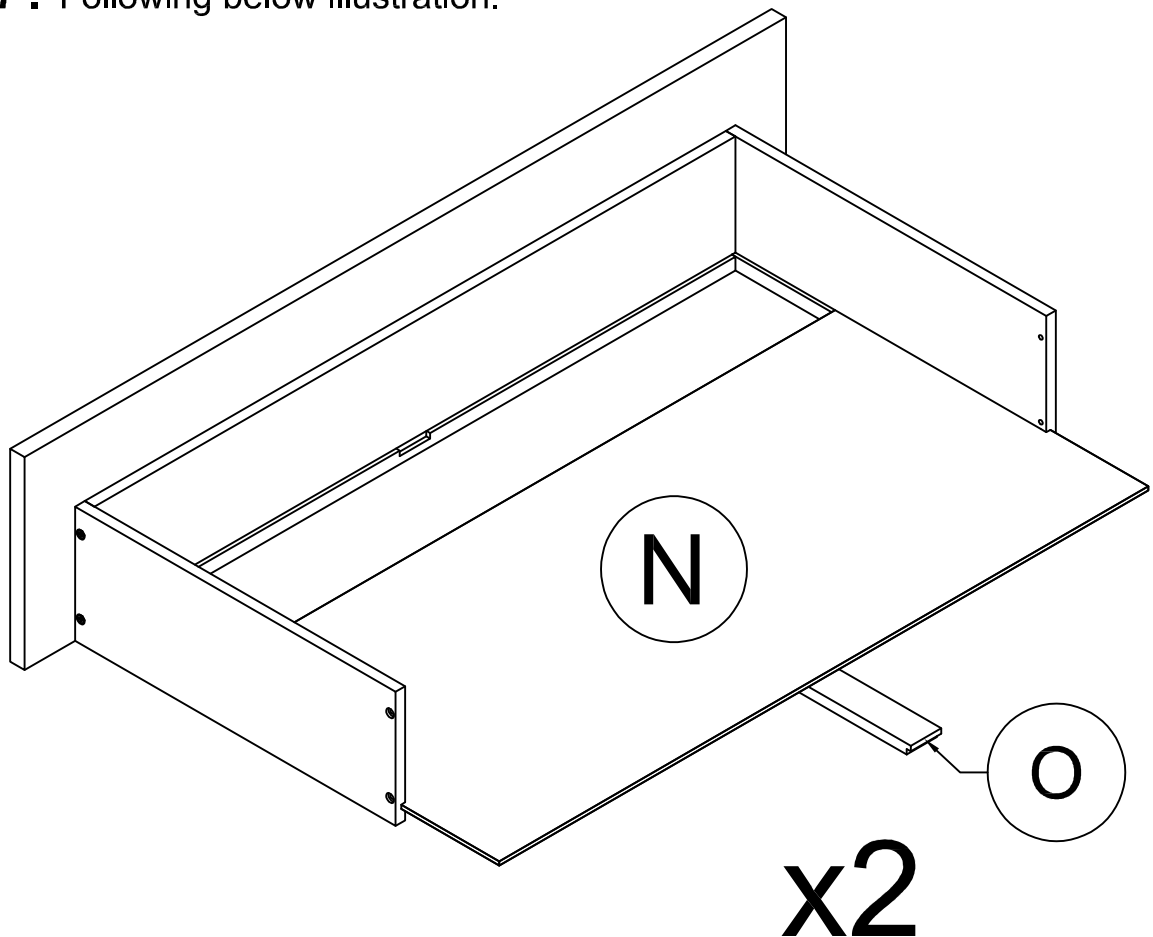
6



8pcs



STEP 7: Following below illustration:



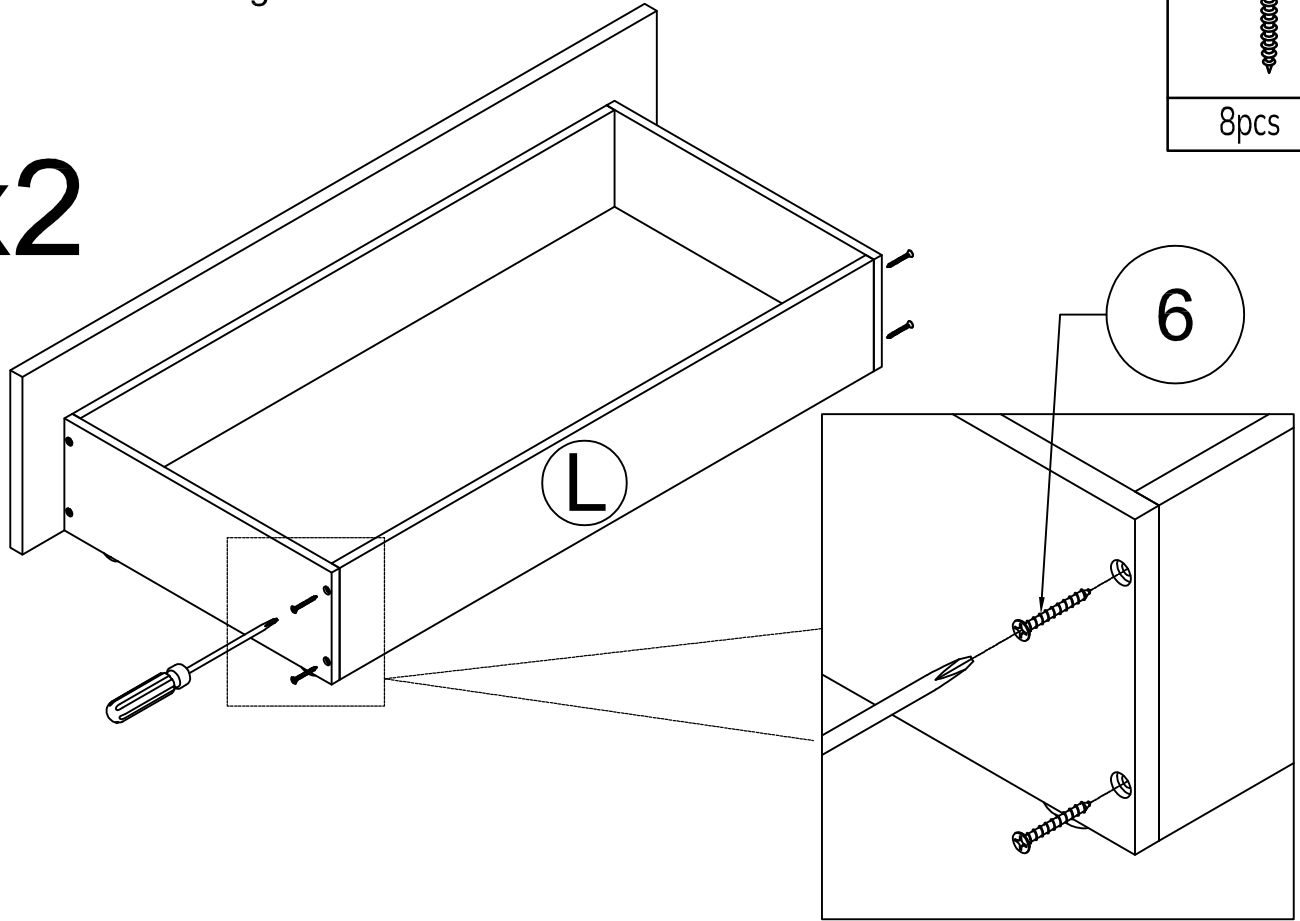
STEP 8: Following below illustration:

6



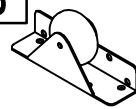
8pcs

x2



STEP 9: Following below illustration:

8

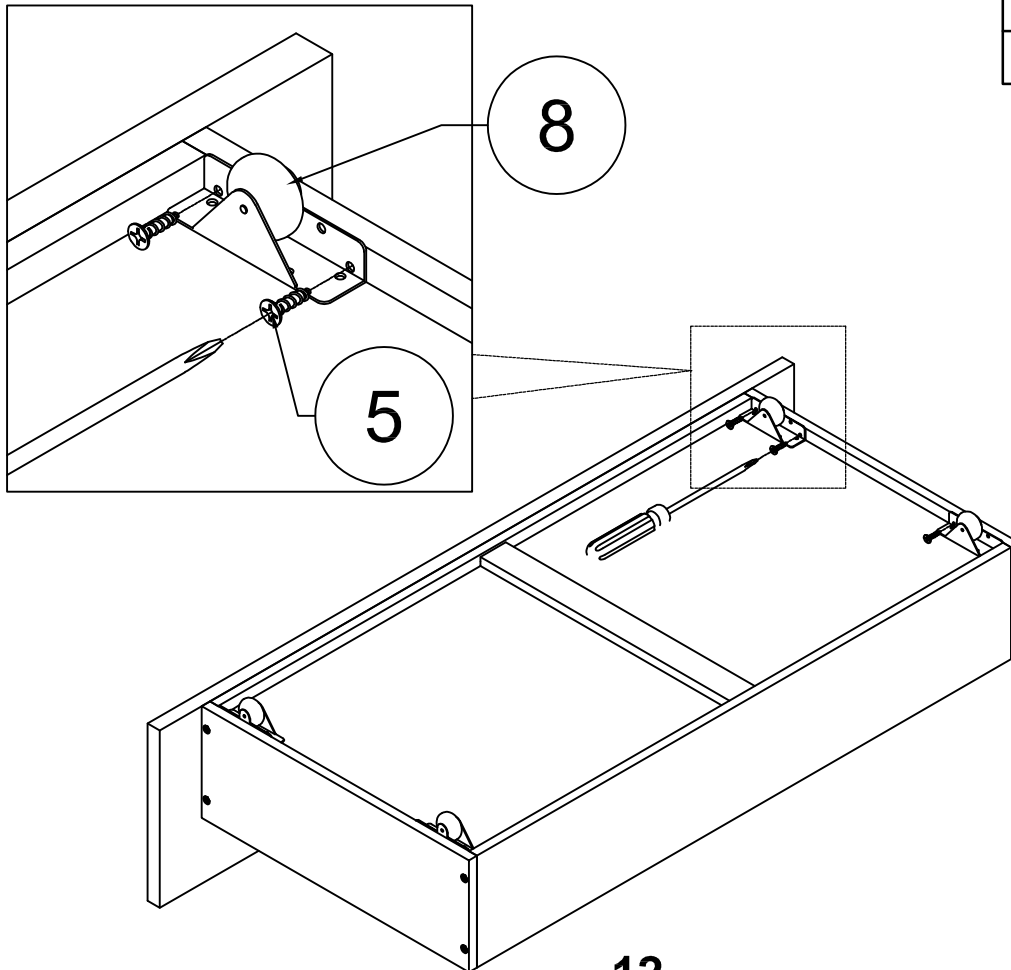


8pcs

5



16pcs



x2

12

FINISH

