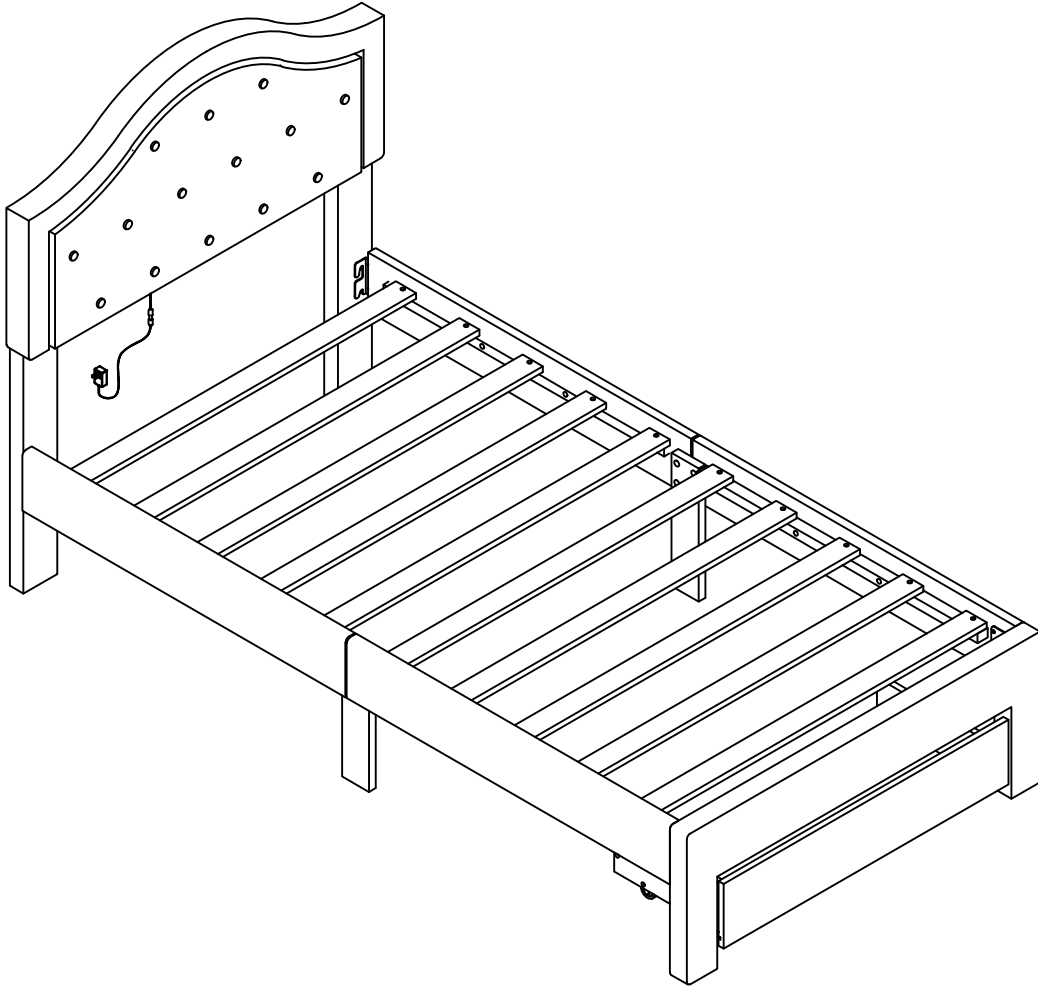


Assembly Instructions Instructions de Montage

N709P179013



IMPORTANT NOTE NOTE IMPORTANTE

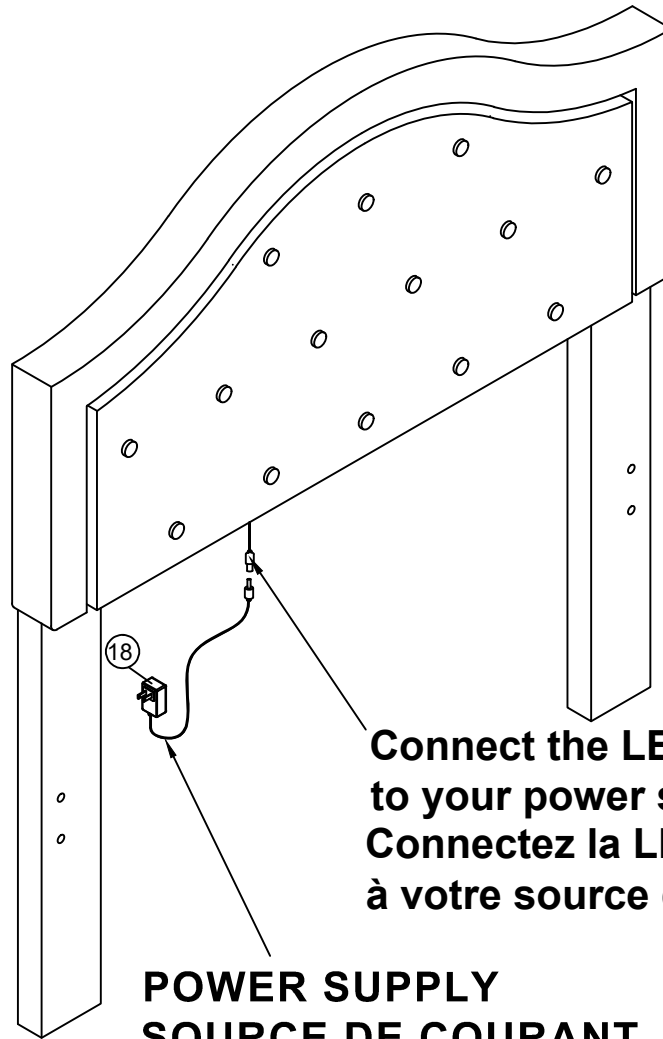
****PLACE ALL PARTS ON A CLEAN AND SMOOTH SURFACE SUCH AS A RUG OR CARPET TO
PLACEZ TOUTES LES PIÈCES SUR UNE SURFACE PROPRE ET LISSE COMME UN TAPIS OU UN TAPIS POUR**

**AVOID THE PARTS FROM BEING SCRATCHED
ÉVITER LES PIÈCES D'ÊTRE RAYÉES**

**** BEFORE YOU BEGIN , KINDY FOLLOW THE ASSEMBLY INSTRUCTIONS STEP BY STEP
AVANT DE COMMENCER, KINDY SUIVEZ LES INSTRUCTIONS DE MONTAGE ÉTAPE PAR ÉTAPE**

****DO NOT TIGHTEN ALL SCREWS AND BOLTS UNTIL THE BED IS FULLY SET-UP
NE SERREZ PAS TOUS LES VIS ET BOULONS JUSQU'À CE QUE LE LIT SOIT COMPLÈTEMENT INSTALLÉ**

Assembly Instructions Instructions de Montage

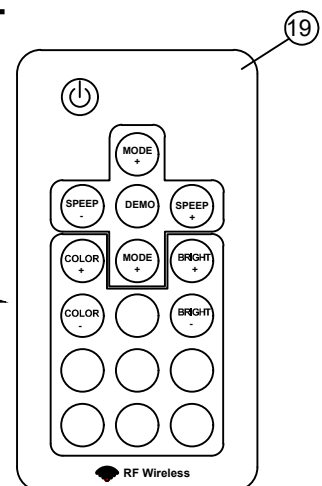


**Connect the LED
to your power source
Connectez la LED
à votre source d'alimentation**

**POWER SUPPLY
SOURCE DE COURANT**

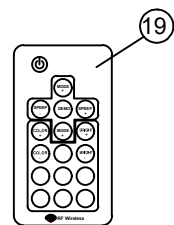
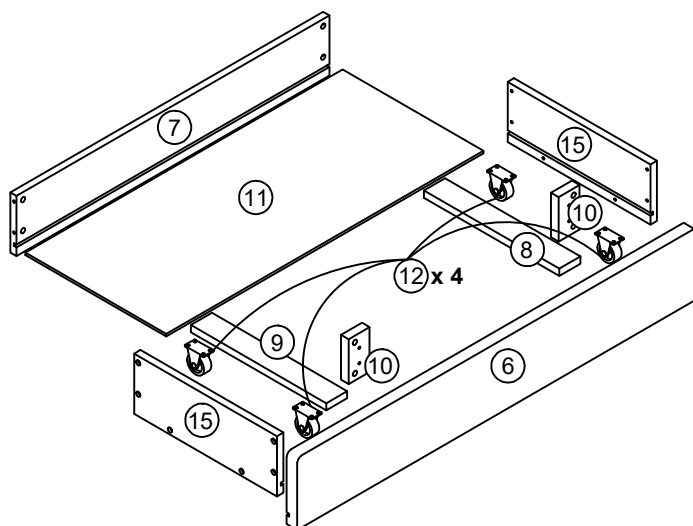
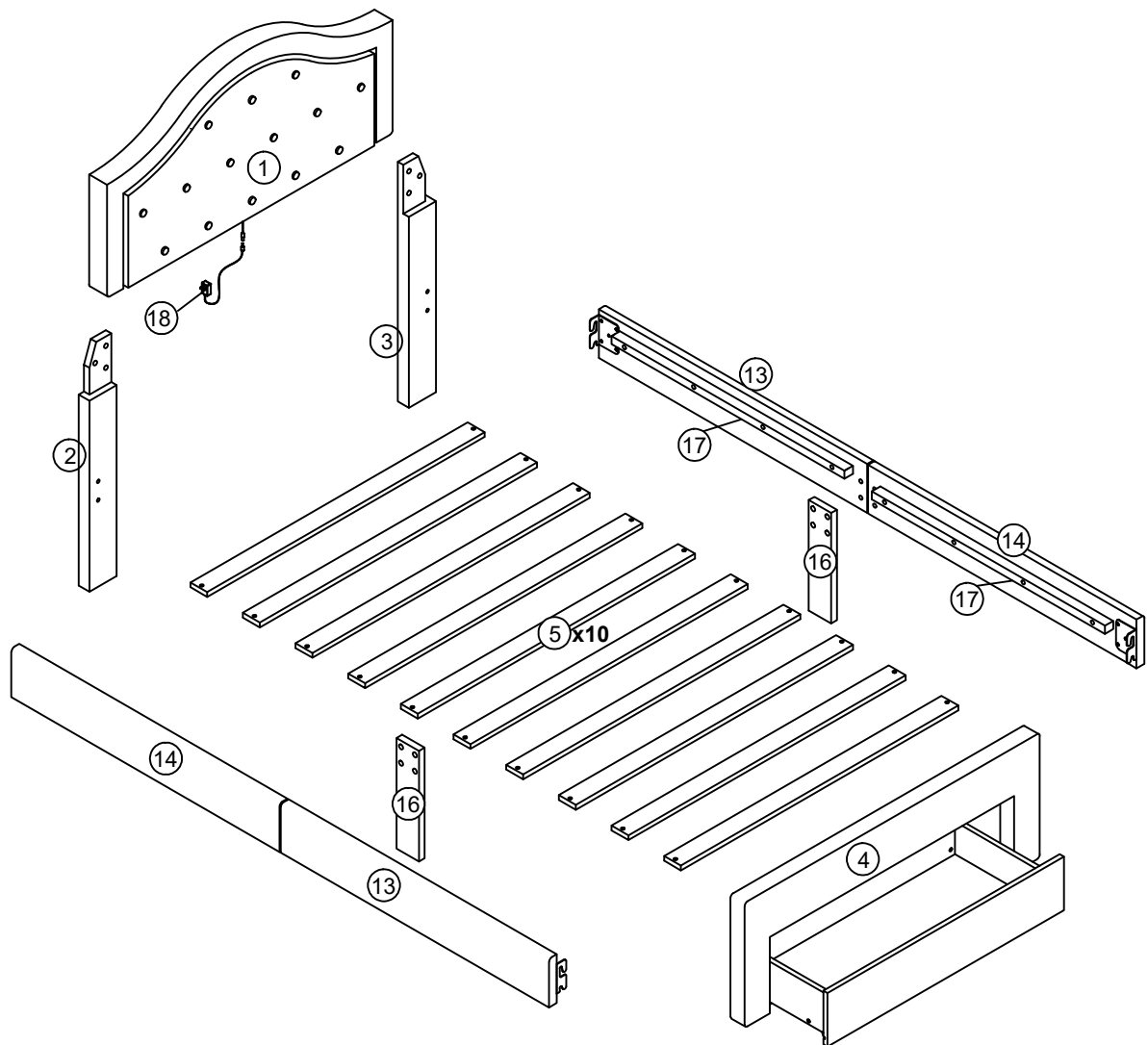
**Remote to control the led light
on the Headboard**

**Télécommande pour
contrôler la lumière
LED sur la tête de lit**



Assembly Instructions Instructions de Montage

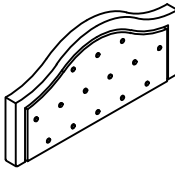


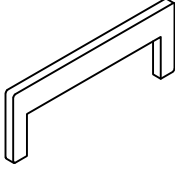
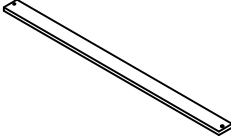
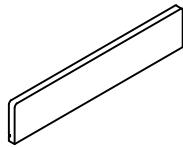
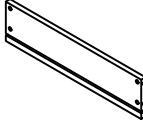
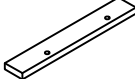
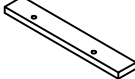
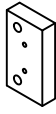
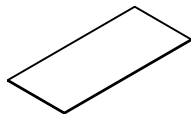

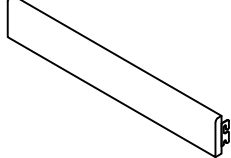
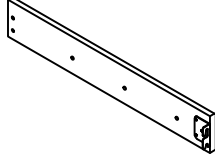
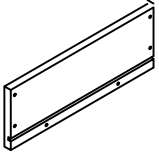

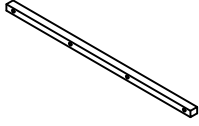


N709P179013



Assembly Instructions Instructions de Montage

N709P179013




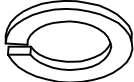
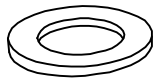
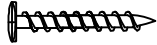
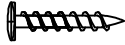
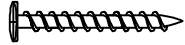


PAST LIST IN N709P179013
LISTE DES PIÈCES DANS N709P179013

<p>1</p>  <p>Headboard Panel (1 pc) Panneau de tête de lit(1pc)</p>	<p>2</p>  <p>Left Headboard leg (1 pc) Pied de tête de lit gauche(1pc)</p>	<p>3</p>  <p>Right Headboard leg (1 pc) Pied de tête de lit droit(1pc)</p>
<p>4</p>  <p>Footboard Panel (1 pc) Panneau de pied de lit(1pc)</p>	<p>5</p>  <p>Roll Slat (10 pcs) Latte roulante (10pcs)</p>	<p>6</p>  <p>Drawer Front Panel (1 pc) Panneau avant du tiroir(1pc)</p>
<p>7</p>  <p>Drawer Back Panel (1 pc) Panneau arrière du tiroir(1pc)</p>	<p>8</p>  <p>Drawer Side Rail (1 pc) Rail latéral du tiroir (1 pc)</p>	<p>9</p>  <p>Drawer Side Rail (1 pc) Rail latéral du tiroir(1 pc)</p>
<p>10</p>  <p>Drawer Connector (2 pcs) Connecteur de tiroir(2 pcs)</p>	<p>11</p>  <p>Drawer Bottom Panel (1 pc) Panneau inférieur du tiroir(1 pc)</p>	<p>12</p>  <p>Wheels (4 pcs) Roues (4 pcs) <small>47x25x50mm</small></p>
<p>13</p>  <p>Left Side Rail (2 pcs) Rail latéral gauche(2 pcs)</p>	<p>14</p>  <p>Right Side Rail (2 pcs) Rail latéral droit(2 pcs)</p>	<p>15</p>  <p>Drawer Side Panel (2 pcs) Panneau latéral du tiroir(2 pcs)</p>
<p>16</p>  <p>Rail support legs (2 pcs) Pieds de support de rail(2 pcs)</p>	<p>17</p>  <p>Bed Support Bar (4 pcs) Barre de support de lit(4 pcs)</p>	<p>18</p>  <p>Power (1 pc) Source De Courant(1 pc)</p>
<p>19</p>  <p>Remote (1 pc) Télécommande (1 pc)</p>		

Assembly Instructions Instructions de Montage

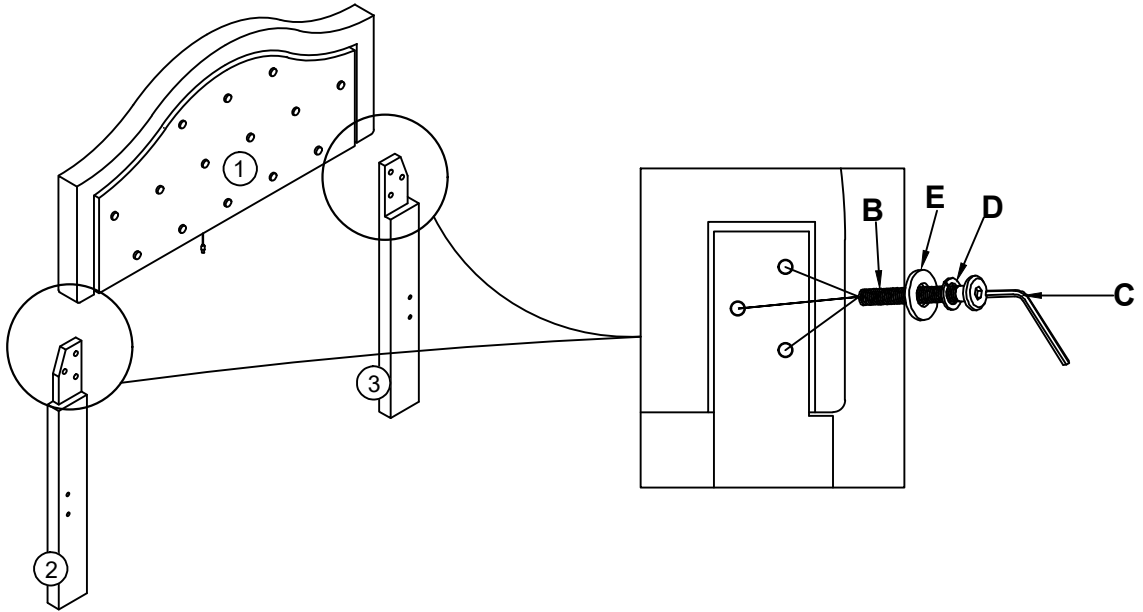
N709P179013





HARDWARE LIST IN N709P179013 LISTE DU MATÉRIEL DANS N709P179013

<div style="border: 1px solid black; width: 20px; height: 20px; display: flex; align-items: center; justify-content: center; margin-bottom: 5px;">A</div> <div style="text-align: center; margin: 20px 0;">  </div> <p style="text-align: center;">Short Bolt (8 pcs) Boulon(8 pcs) <small>(5/16"x25mm)</small></p>	<div style="border: 1px solid black; width: 20px; height: 20px; display: flex; align-items: center; justify-content: center; margin-bottom: 5px;">B</div> <div style="text-align: center; margin: 20px 0;">  </div> <p style="text-align: center;">Long Bolt (14 pcs) Boulon moyen(14pcs) <small>(5/16"x38mm)</small></p>	<div style="border: 1px solid black; width: 20px; height: 20px; display: flex; align-items: center; justify-content: center; margin-bottom: 5px;">C</div> <div style="text-align: center; margin: 20px 0;">  </div> <p style="text-align: center;">Allen Wrench (1 pc) Clé Allen(1 pc) <small>(M4x75mmx32mm)</small></p>
<div style="border: 1px solid black; width: 20px; height: 20px; display: flex; align-items: center; justify-content: center; margin-bottom: 5px;">D</div> <div style="text-align: center; margin: 20px 0;">  </div> <p style="text-align: center;">Spring Washer (38 pcs) Rondelle à ressort(38 pcs)</p>	<div style="border: 1px solid black; width: 20px; height: 20px; display: flex; align-items: center; justify-content: center; margin-bottom: 5px;">E</div> <div style="text-align: center; margin: 20px 0;">  </div> <p style="text-align: center;">Flat Washer (38 pcs) Rondelle plate (38 pcs)</p>	<div style="border: 1px solid black; width: 20px; height: 20px; display: flex; align-items: center; justify-content: center; margin-bottom: 5px;">F</div> <div style="text-align: center; margin: 20px 0;">  </div> <p style="text-align: center;">Flat Head Screw (24 pcs) Vis à tête plate moyenne(24pcs) <small>(M4x30mm)</small></p>
<div style="border: 1px solid black; width: 20px; height: 20px; display: flex; align-items: center; justify-content: center; margin-bottom: 5px;">G</div> <div style="text-align: center; margin: 20px 0;">  </div> <p style="text-align: center;">Flat Head Screw (16 pcs) Vis à tête plate courte(16pcs) <small>(M4x15mm)</small></p>	<div style="border: 1px solid black; width: 20px; height: 20px; display: flex; align-items: center; justify-content: center; margin-bottom: 5px;">H</div> <div style="text-align: center; margin: 20px 0;">  </div> <p style="text-align: center;">Flat Head Screw (12 pcs) Vis à tête plate longue(12 pcs) <small>(M4x38mm)</small></p>	<div style="border: 1px solid black; width: 20px; height: 20px; display: flex; align-items: center; justify-content: center; margin-bottom: 5px;">I</div> <div style="text-align: center; margin: 20px 0;">  </div> <p style="text-align: center;">Plastic Button (12 pcs) Bouton en plastique(12 pcs) <small>(10x10mmx10mm)</small></p>
<div style="border: 1px solid black; width: 20px; height: 20px; display: flex; align-items: center; justify-content: center; margin-bottom: 5px;">J</div> <div style="text-align: center; margin: 20px 0;">  </div> <p style="text-align: center;">Long Bolt (16 pcs) Boulon long(16 pcs) <small>(5/16"x50mm M4)</small></p>		

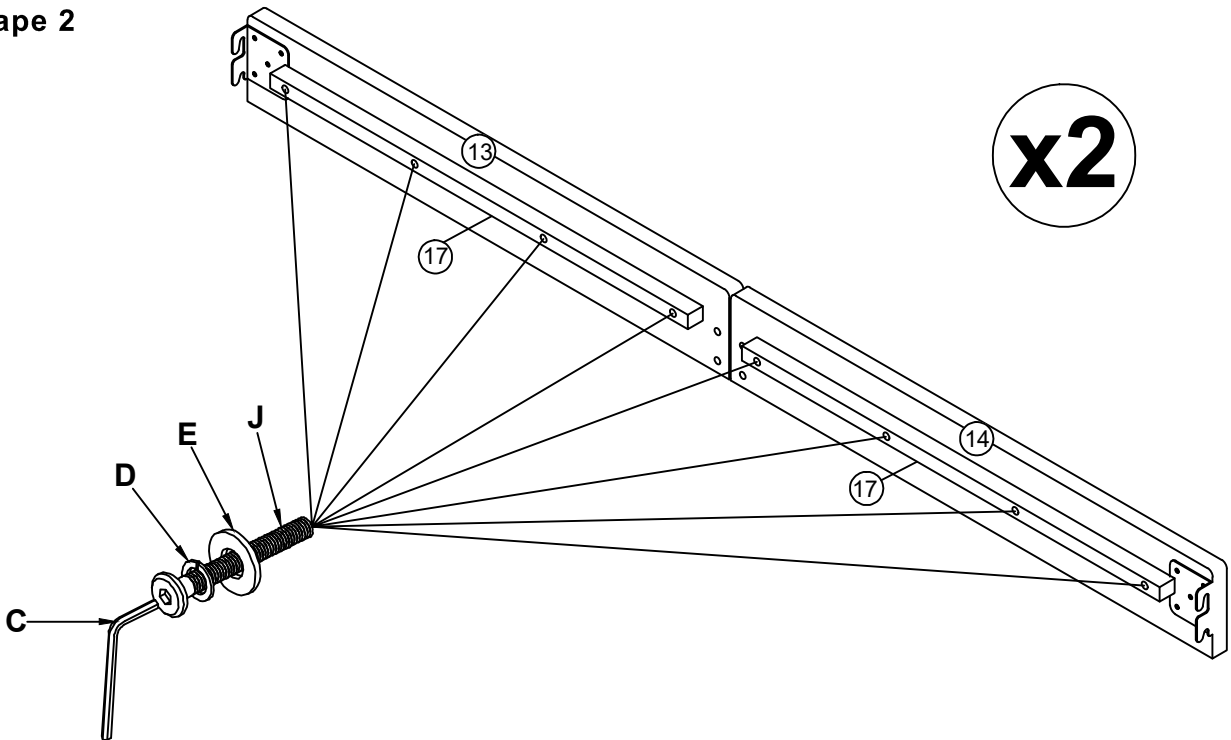
Assembly Instructions Instructions de Montage





STEP 1 Étape 1



B	Long Bolt Boulon moyen (5/16" x 38mm)		6pcs	D	Spring Washer Rondelle à ressort		6pcs
C	Allen Wrench Clé Allen (M4x75mmx32mm)		1pc	E	Flat Washer Rondelle plate		6pcs

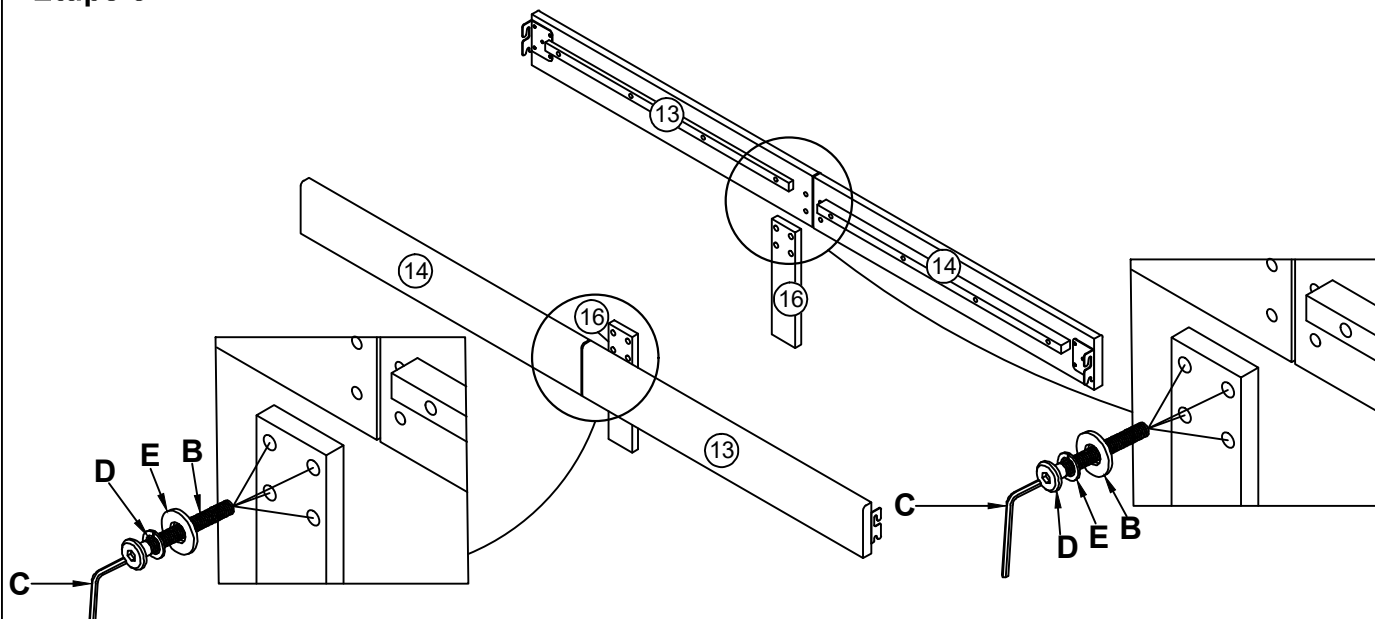
STEP 2 Étape 2







J	Long Bolt Boulon long (5/16" x 50mm)		16pcs	E	Flat Washer Rondelle plate		16pcs
C	Allen Wrench Clé Allen		1pc	D	Spring Washer Rondelle à ressort		16pcs

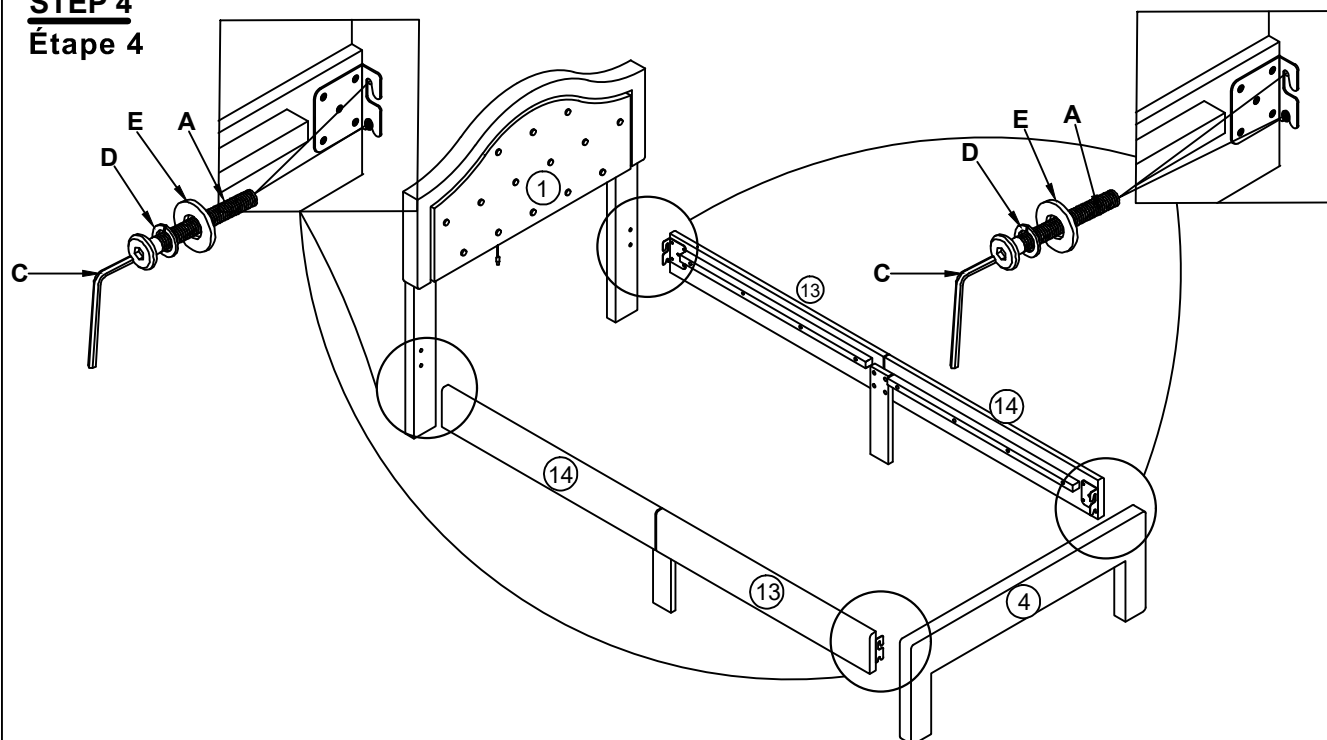
Assembly Instructions Instructions de Montage





STEP 3 Étape 3



B	Long Bolt Boulon moyen (5/16"x38mm)		8pcs	E	Spring Washer Rondelle à ressort		8pcs
C	Allen Wrench Clé Allen (M4x75mmx32mm)		1pc	D	Flat Washer Rondelle plate		8pcs

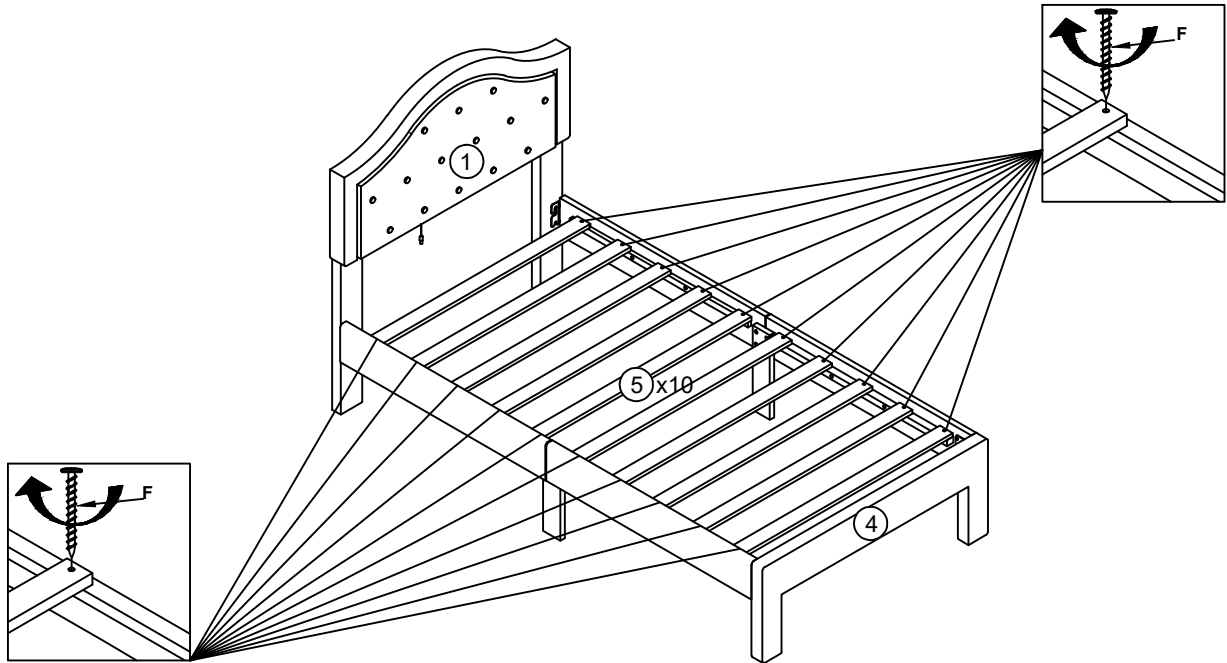
STEP 4 Étape 4

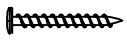


A	Bolt Boulon (5/16"x25mm)		8pcs	E	Spring Washer Rondelle à ressort		8pcs
C	Allen Wrench Clé Allen (M4x75mmx32mm)		1pc	D	Flat Washer Rondelle plate		8pcs

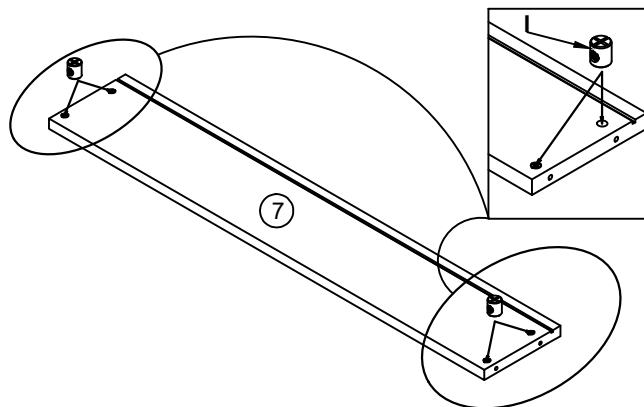
Assembly Instructions Instructions de Montage


STEP 5 Étape 5



F	Flat Head Screw Flat Head Screw (m4x30mm)		20pcs
---	---	---	-------

STEP 6 Étape 6



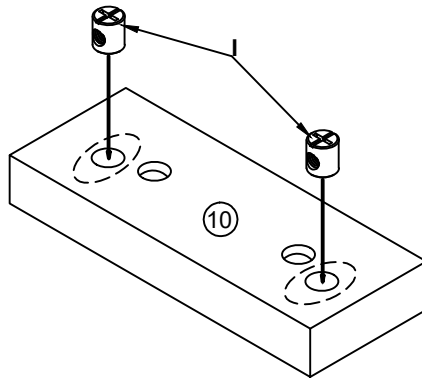
I	Plastic Buttor Bouton en plastique (10x10mmx10mm)		4pcs
---	---	---	------

MADE IN VIETNAM
FABRIQUÉ AU VIETNAM

PAGE 8 OF 12
PAGE 8 DE 12

Assembly Instructions Instructions de Montage

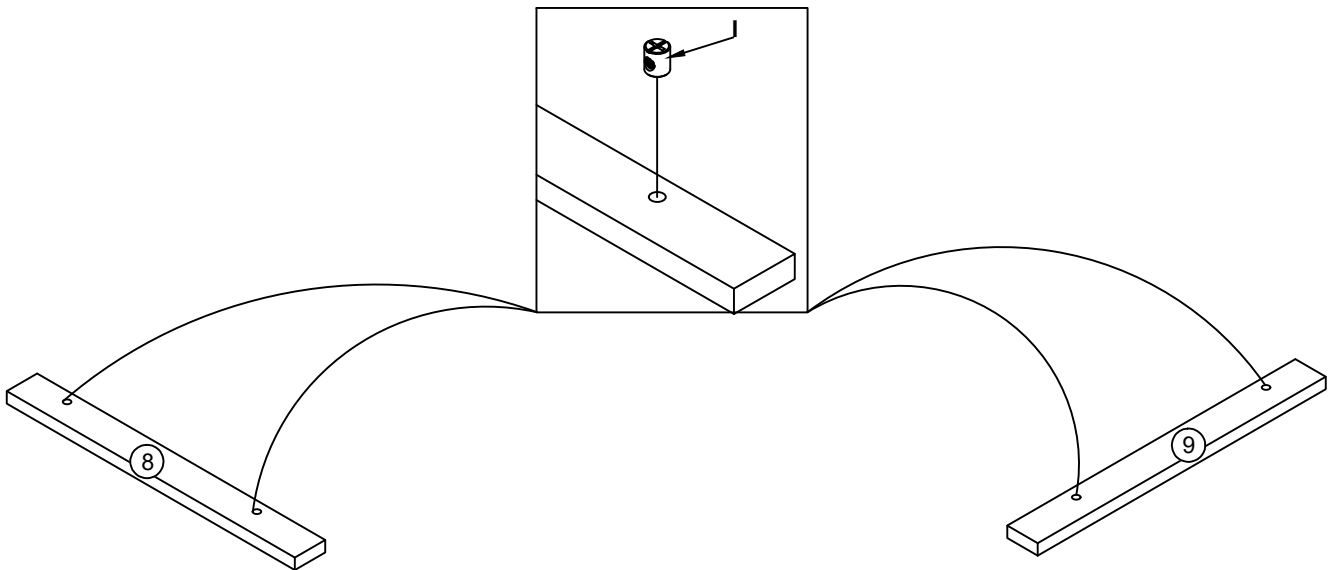
STEP 7 **Étape 7**




x2

I	Plastic Buttor Bouton en plastique (10x10mmx10mm)		4pcs
----------	---	---	-------------

STEP 8 **Étape 8**



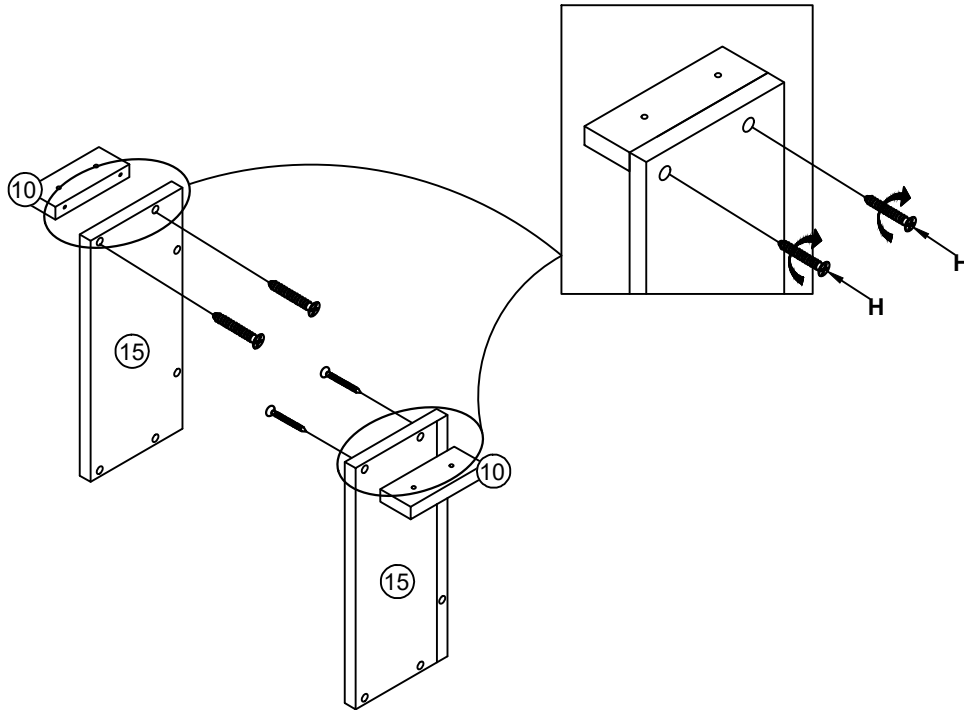
I	Plastic Buttor Bouton en plastique (10x10mmx10mm)		4pcs
----------	---	---	-------------

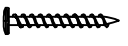
MADE IN VIETNAM
FABRIQUÉ AU VIETNAM

PAGE 9 OF 12
PAGE 9 DE 12

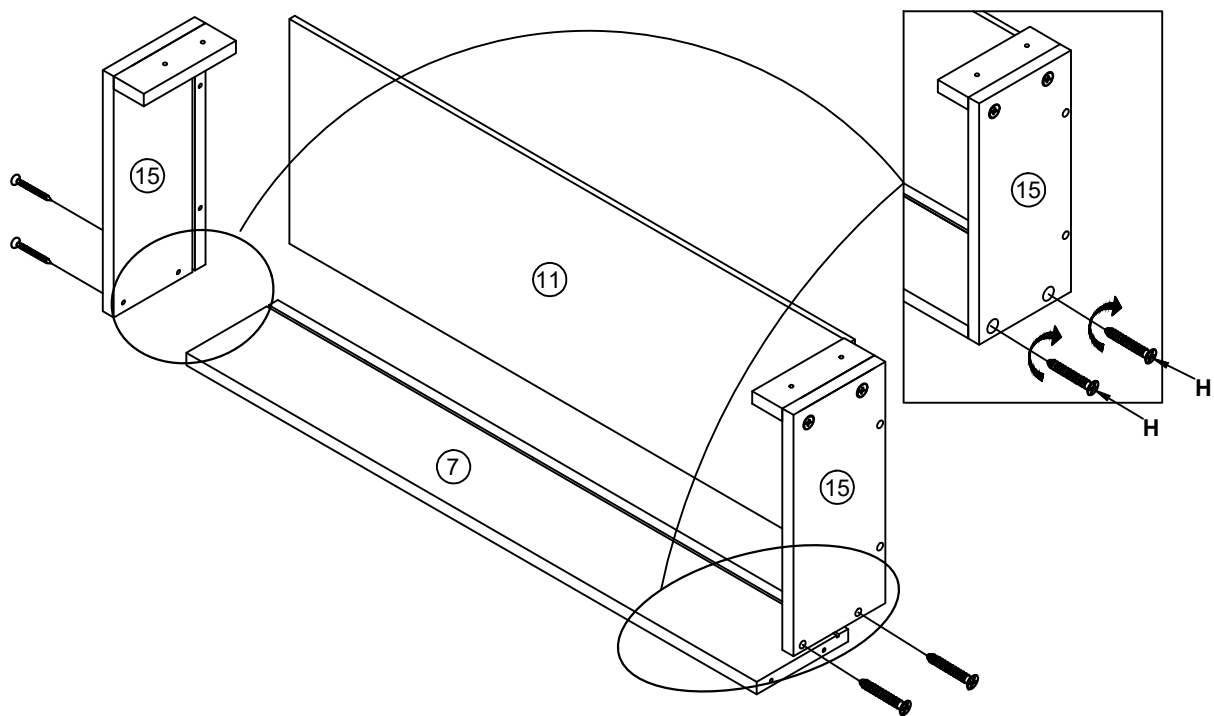
Assembly Instructions Instructions de Montage

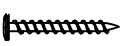
STEP 9 Étape 9



H	Flat Head Screw Vis à tête plate longue (m4x38mm)		4pcs
---	---	---	------

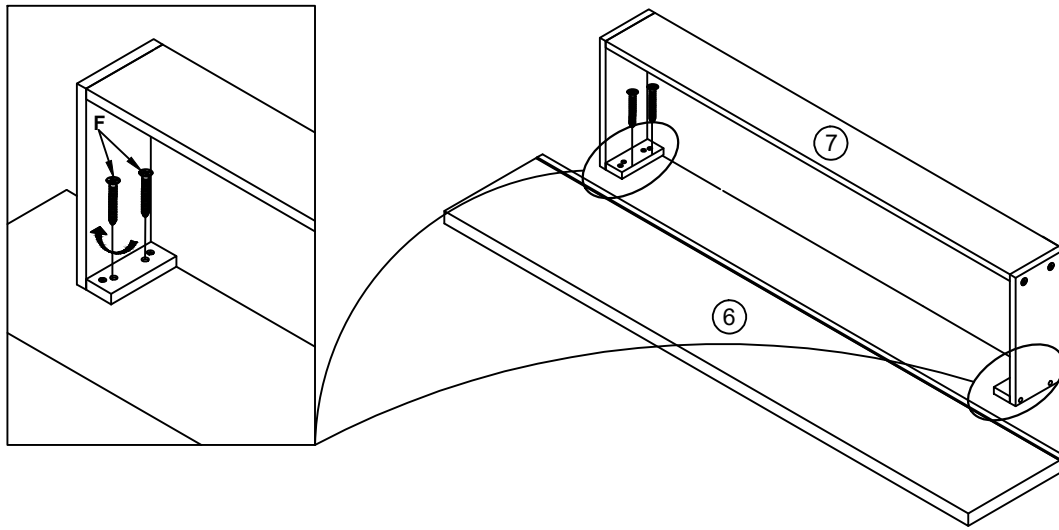
STEP 10 Étape 10

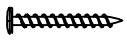


H	Flat Head Screw Vis à tête plate longue (m4x38mm)		4pcs
---	---	---	------

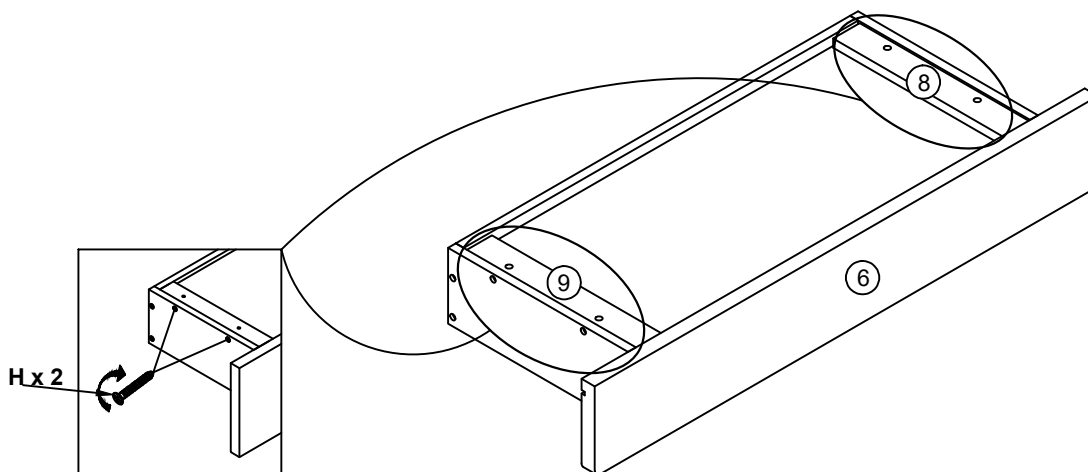
Assembly Instructions Instructions de Montage

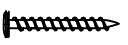
STEP 11 Étape 11



F	Flat Head Screw Flat Head Screw (m4x30mm)		4pcs
---	---	---	------

STEP 12 Étape 12



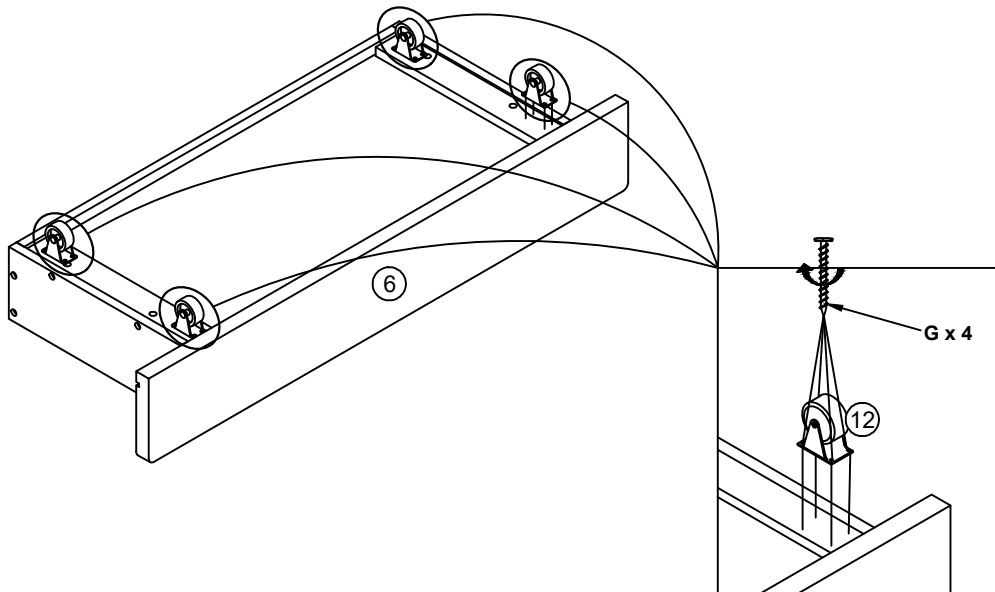
H	Flat Head Screw Vis à tête plate longue (m4x38mm)		4pcs
---	---	---	------

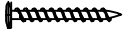
MADE IN VIETNAM
FABRIQUÉ AU VIETNAM

PAGE 11 OF 12
PAGE 11 DE 12

Assembly Instructions Instructions de Montage

STEP 13 Étape 13



G	Flat Head Screw Vis à tête plate courte (m4x15mm)		16pcs
----------	---	---	-------

STEP 14 Étape 14

