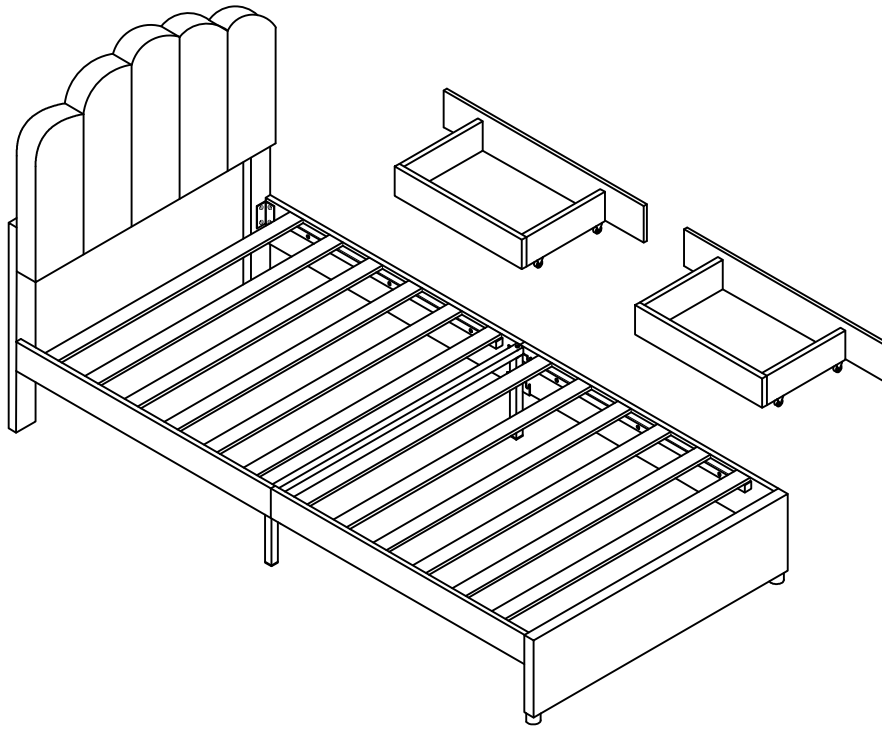
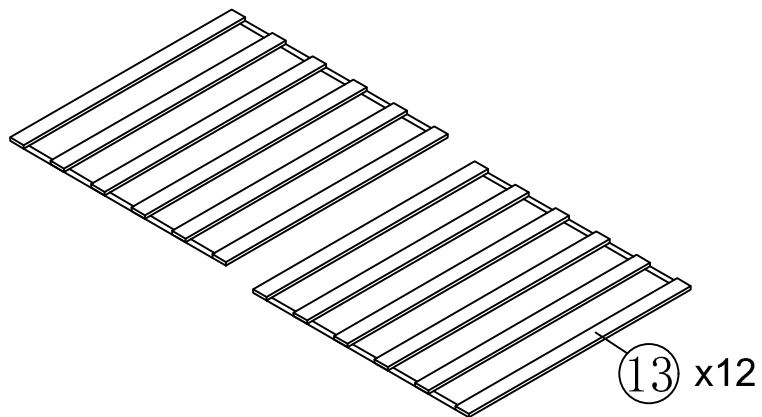
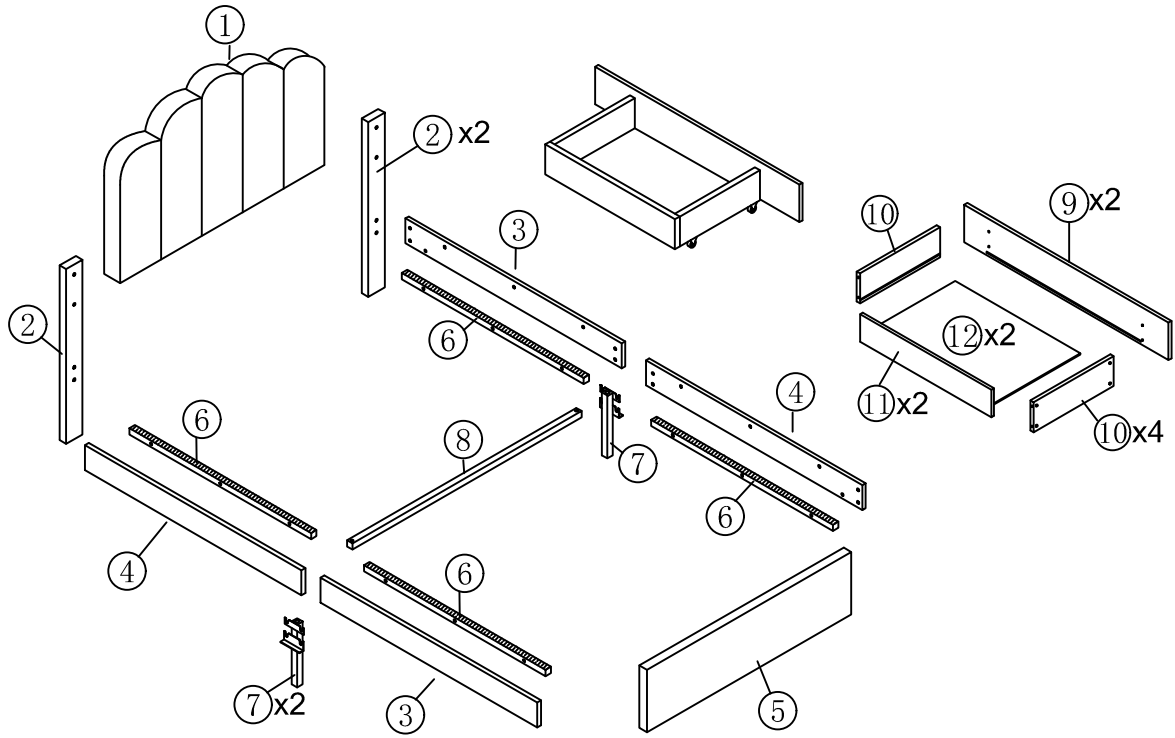


# ASSEMBLY INSTRUCTION



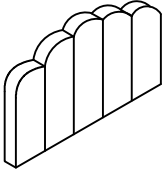

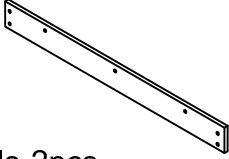
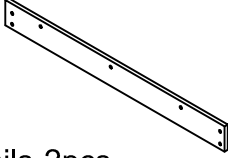
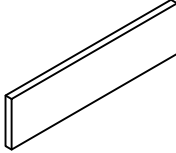
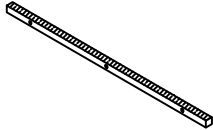

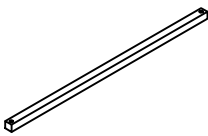
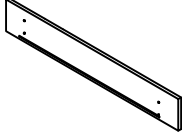
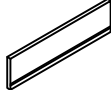
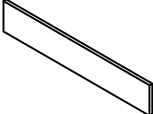
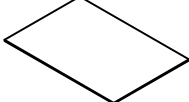
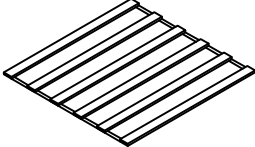
WF323758

# Detail View





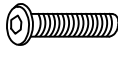


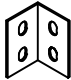


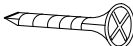
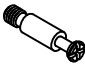

# Part List

WF323758

<b>1</b>  Head board-1pc	<b>2</b>  Head board legs-2pcs	<b>3</b>  Siderails-2pcs
<b>4</b>  Siderails-2pcs	<b>5</b>  Foot board-1pc	<b>6</b>  Side rails support bar-4pcs
<b>7</b>  Side rails support legs-2pcs	<b>8</b>  Cross bar-1pc	<b>9</b>  Drawer outer board-2pcs
<b>10</b>  Drawer board-4pcs	<b>11</b>  Drawer board-2pcs	<b>12</b>  Drawer bottom board-2pcs
<b>13</b>  Slats-12pcs		


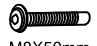
# Hardware List

WF323758

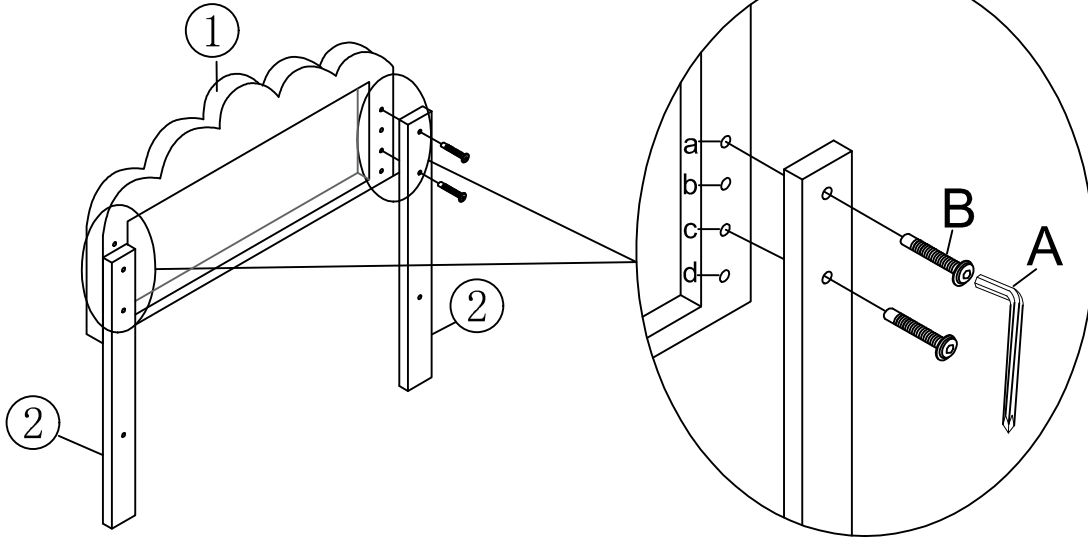
<p><b>A</b></p>  <p>20*70mm</p>	<p><b>B</b></p>  <p>Ø8*50mm</p>	<p><b>C</b></p>  <p>Ø8*18mm</p>
<p>Allen Key(1pcs)</p>	<p>Bolts(4pcs)</p>	<p>Bolts(26pcs)</p>
<p><b>D</b></p>  <p>Ø8*40mm</p>	<p><b>E</b></p> 	<p><b>F</b></p>  <p>77*33**33*3mm</p>
<p>Bolts(14pcs)</p>	<p>Stopper(2pcs)</p>	<p>"7" Connector(4pcs)</p>
<p><b>G</b></p>  <p>H:40mm</p>	<p><b>H</b></p> 	<p><b>I</b></p>  <p>Ø3*16mm</p>
<p>Bed legs(2pcs)</p>	<p>Wheel (8pcs)</p>	<p>Nails(16pcs)</p>
<p><b>J</b></p> 	<p><b>K</b></p> 	
<p>Drawer fittings(16pcs)</p>	<p>Drawer fittings(16pcs)</p>	

Remark: We recommend you assemble your bed in the flat ground.


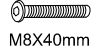
### Step 1

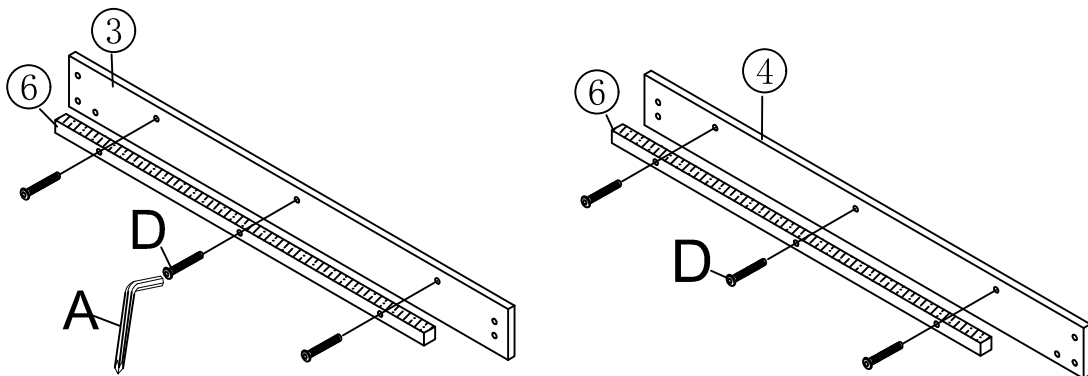
A	B
	 M8X50mm
	4PCS

Attention:  
You can chose the hole a  
and c ,or b and d.



### Step 2 x2

A	D
	 M8X40mm
	12PCS

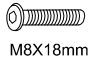


# Step 3 x2

A

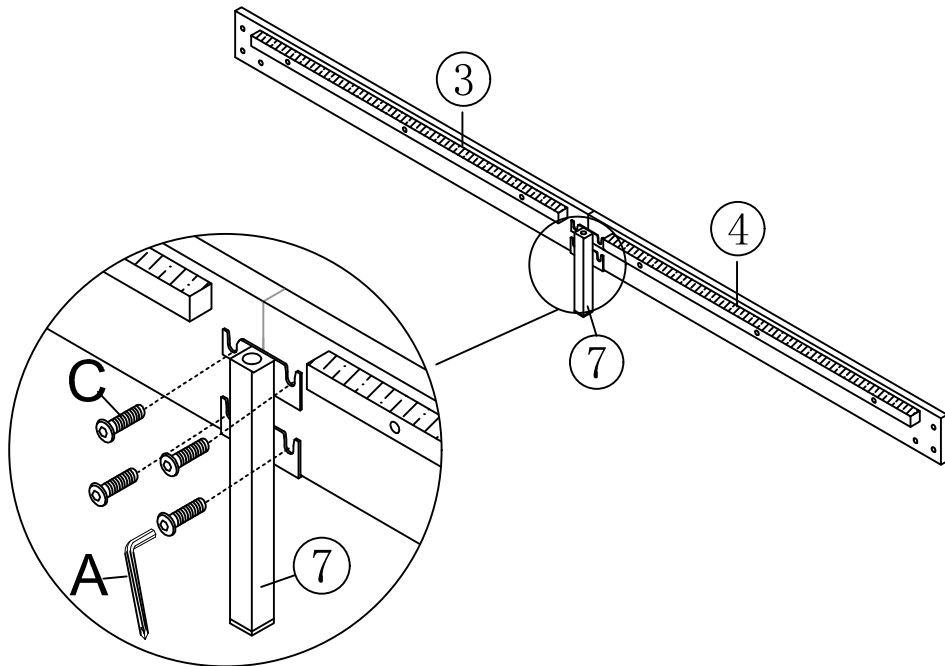


C



M8X18mm

8PCS

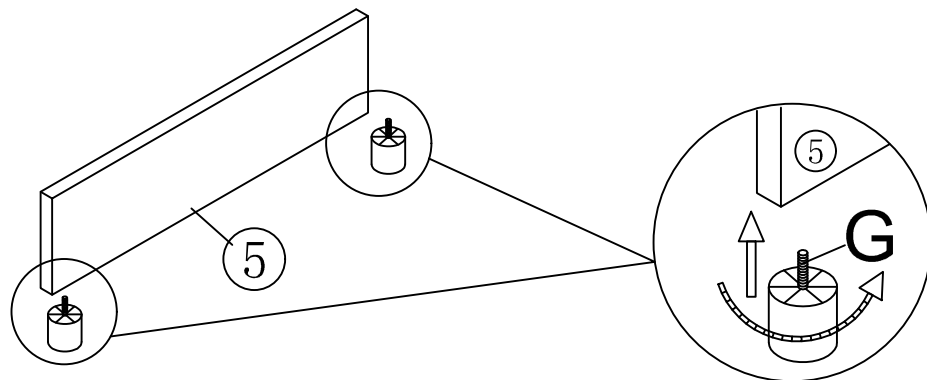


# Step 4



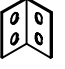
G

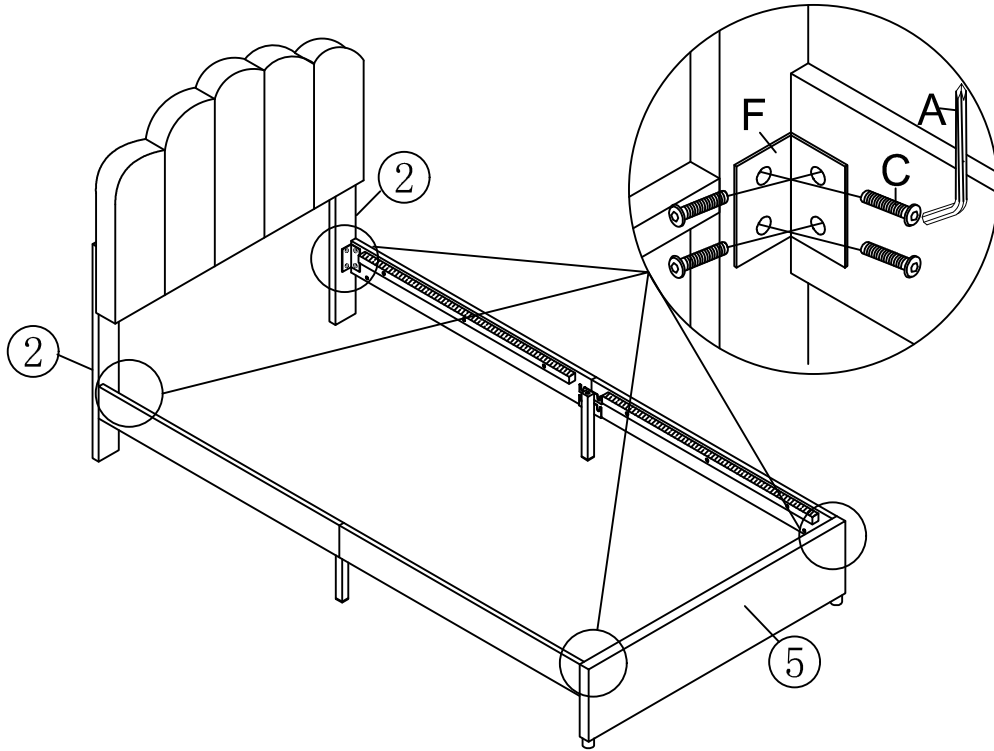


2PCS


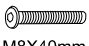


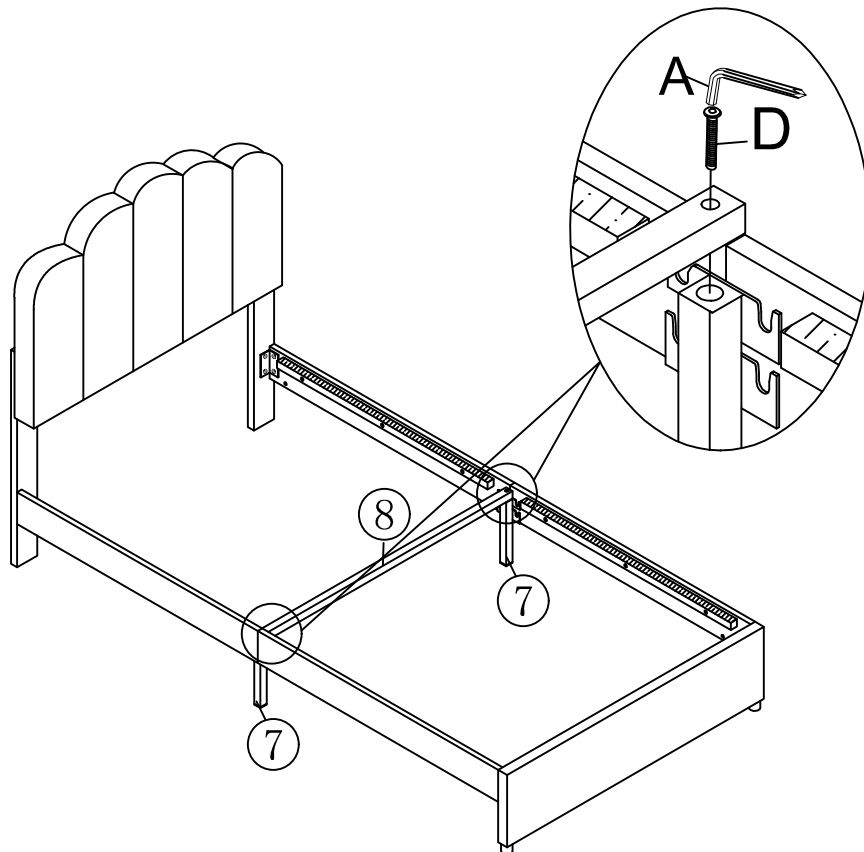
# Step 5

A	C	F
	 M8X18mm	
	16PCS	4PCS






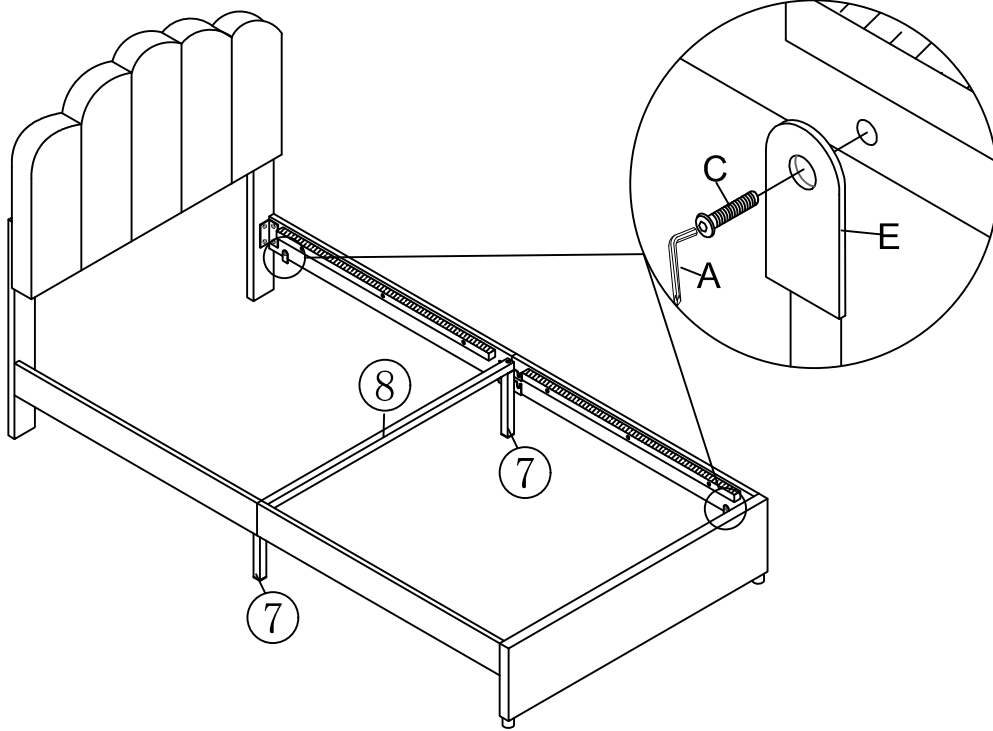
# Step 6

A	D
	 M8X40mm
	2PCS





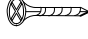


# Step 7

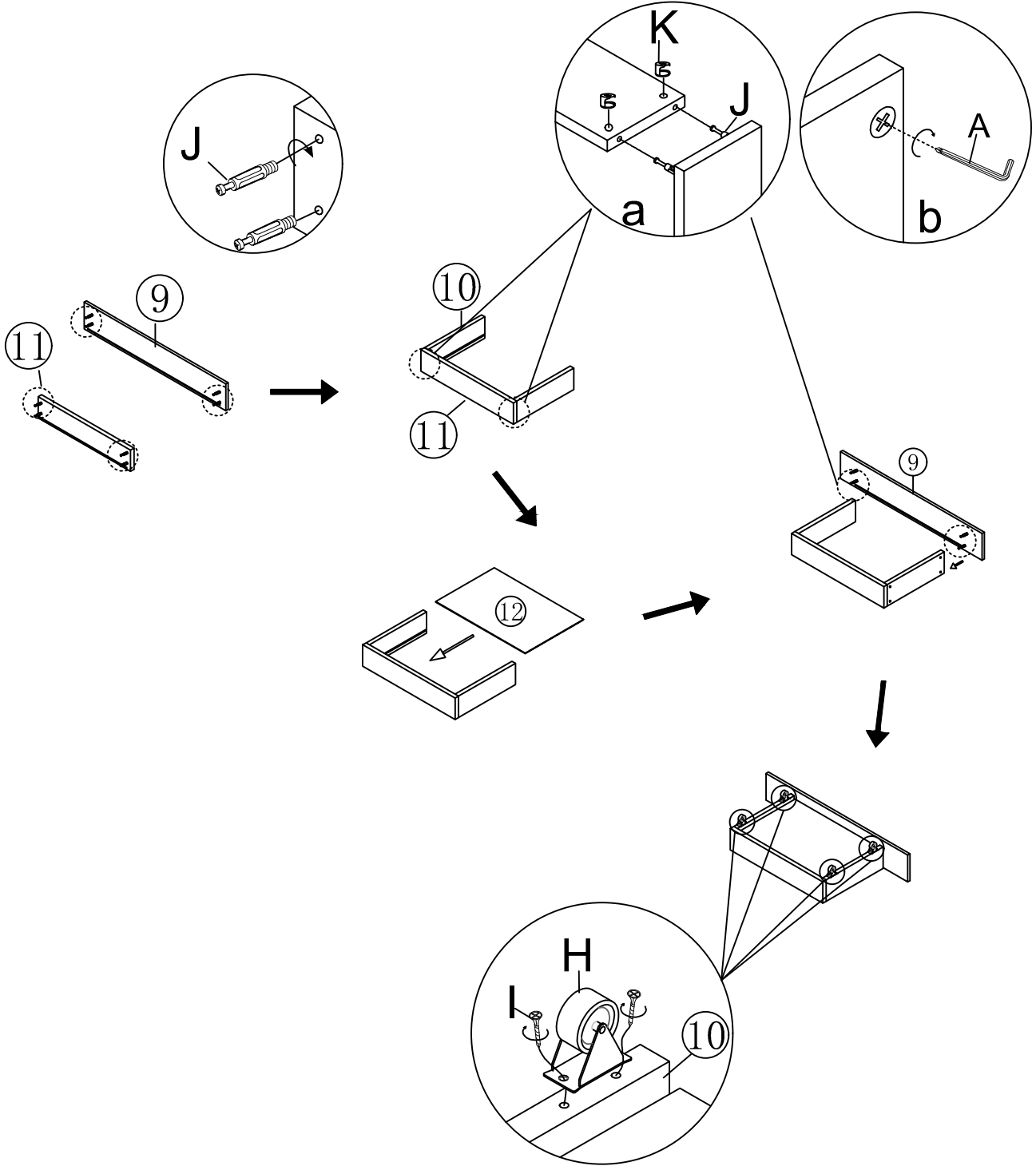
A 	C  M8X18mm 2PCS	E  2PCS
---	---	--





# Step 8 x2

A	H	I	J	K
		 M3X20mm		
	8PCS	16PCS	16PCS	16PCS



Step 9

