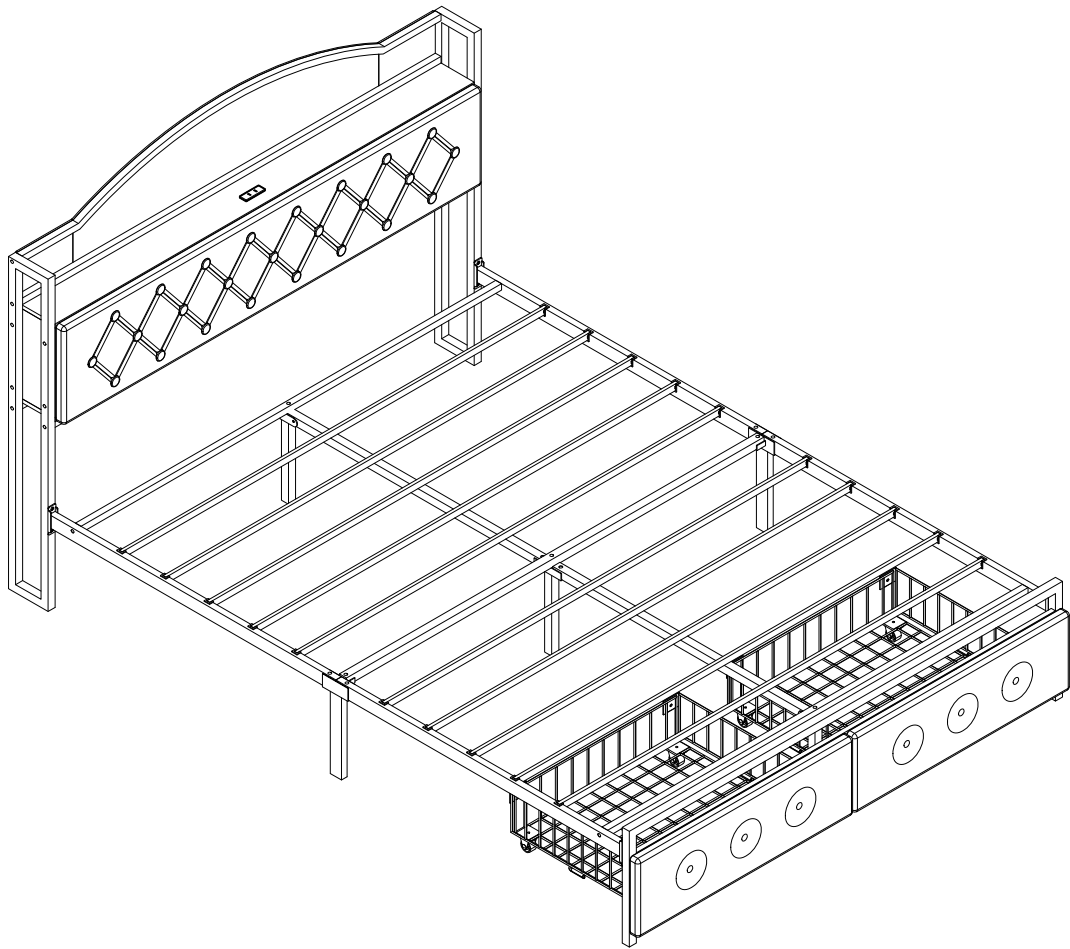
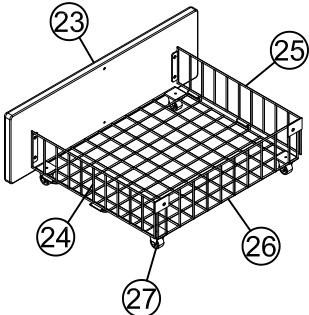
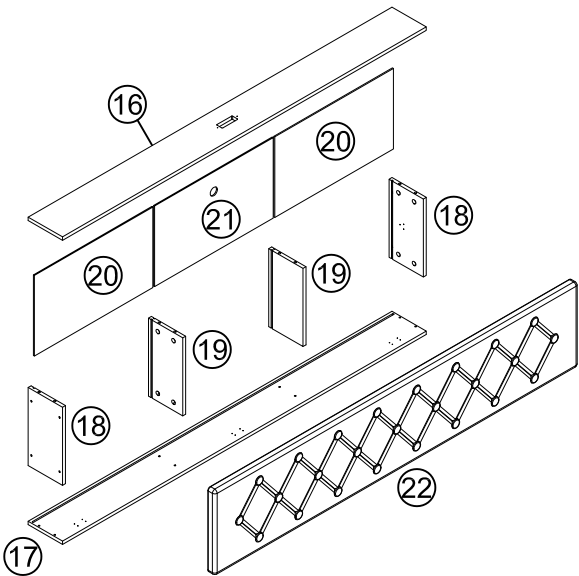
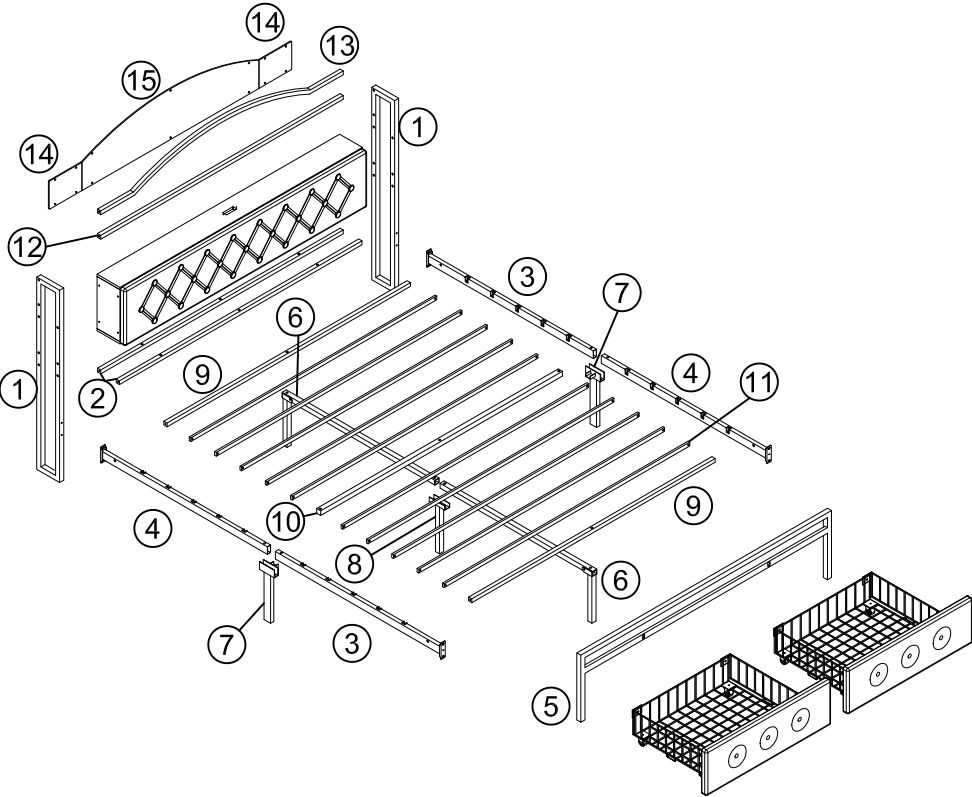


ASSEMBLY INSTRUCTION

SKU:WF321526

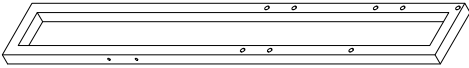


ASSEMBLY INSTRUCTION



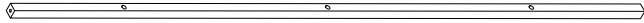
Parts List

①



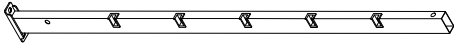
X2

②



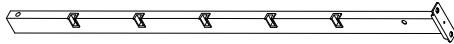
X2

③



X2

④



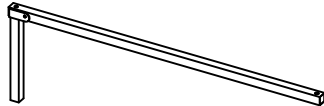
X2

⑤



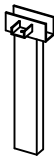
X1

⑥



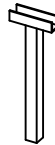
X2

⑦



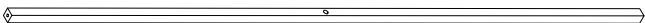
X2

⑧



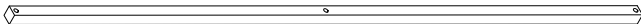
X1

⑨



X2

⑩



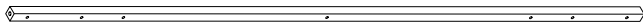
X1

⑪



X10

⑫



X1

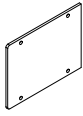
⑬



X1

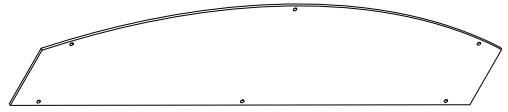
Parts List

14



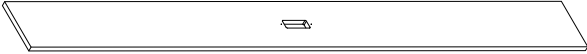
X2

15



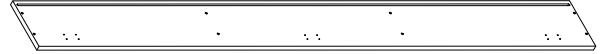
X1

16



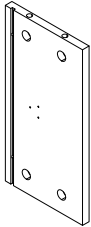
X1

17



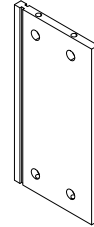
X1

18



X2

19



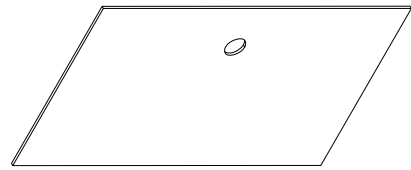
X2

20



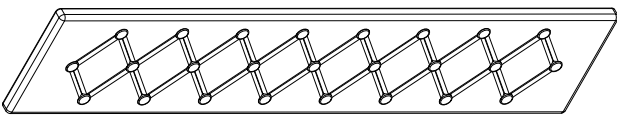
X2

21



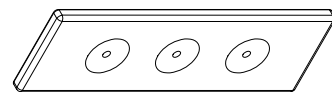
X1

22



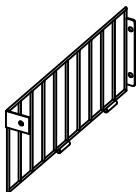
X1

23



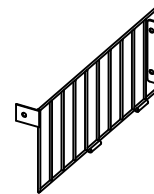
X2

24



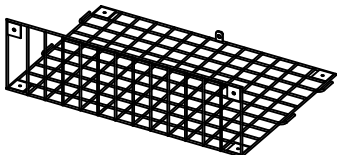
X2

25



X2

26



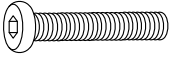
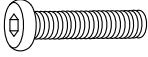
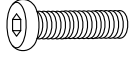
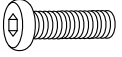
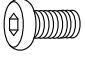

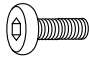
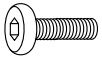

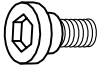




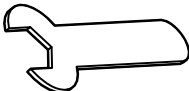
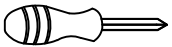
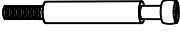



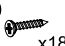
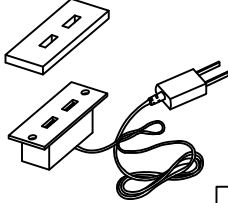
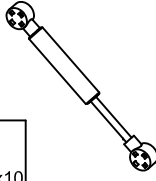


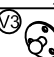

X2

27

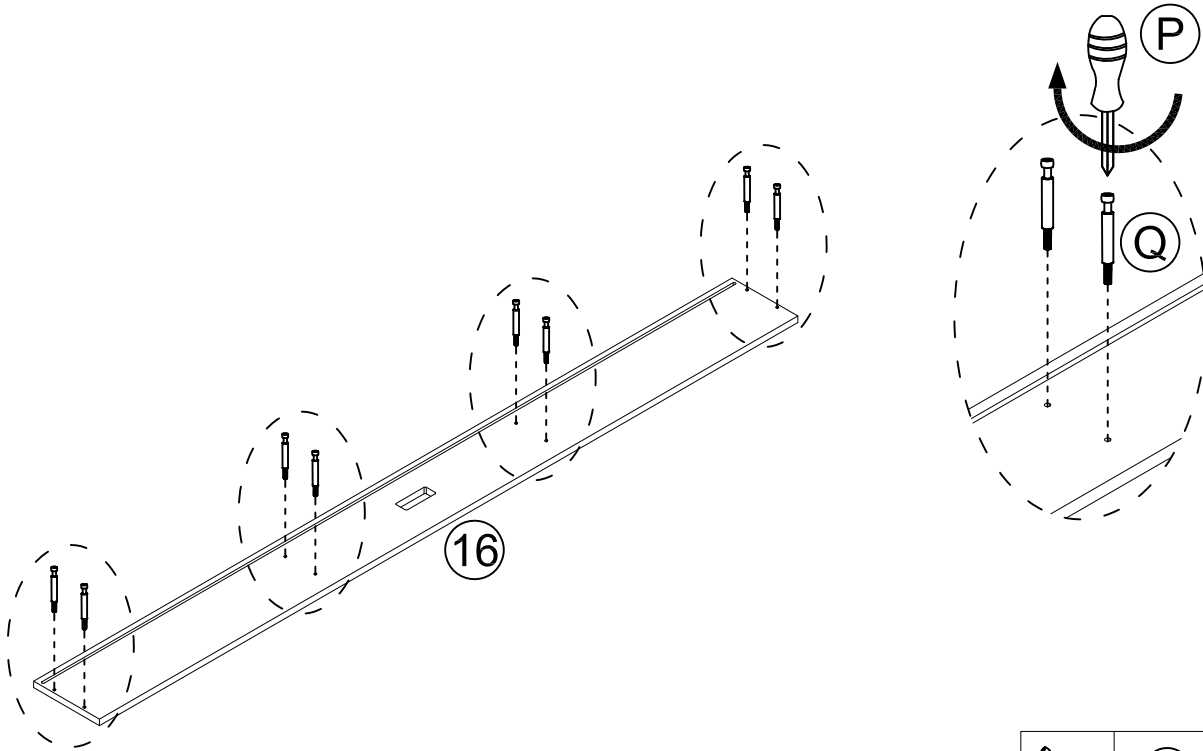




X8

Hardware List

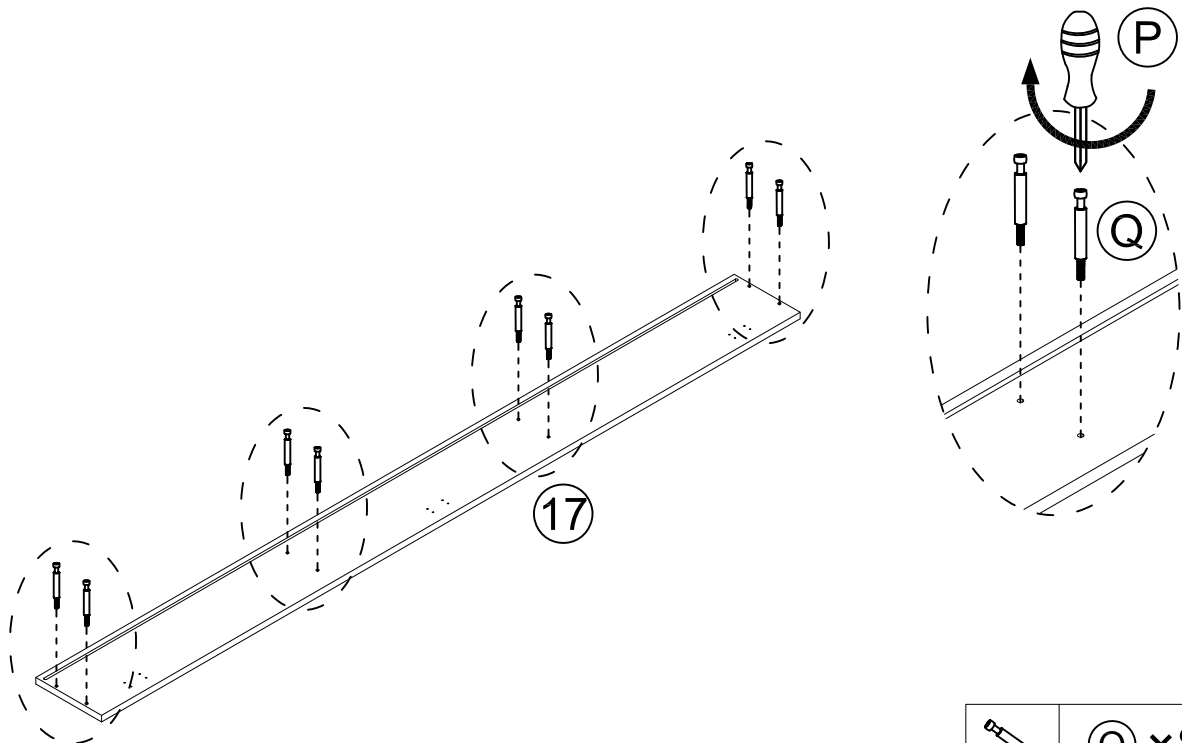
<p>(A)</p>  <p>M8x60mm</p> <p>X3</p>	<p>(B)</p>  <p>M8x50mm</p> <p>X4</p>	<p>(C)</p>  <p>M8x40mm</p> <p>X8</p>	<p>(D)</p>  <p>M8x35mm</p> <p>X8</p>
<p>(E)</p>  <p>M8x20mm</p> <p>X8</p>	<p>(F)</p>  <p>M6x12mm</p> <p>X28</p>	<p>(G)</p>  <p>M6x30mm</p> <p>X3</p>	<p>(H)</p>  <p>M6x35mm</p> <p>X8</p>
<p>(I)</p>  <p>M3x12mm</p> <p>X2</p>	<p>(J)</p>  <p>M8x16mm</p> <p>X2</p>	<p>(K)</p>  <p>Ø17*Ø8.5*2</p> <p>X5</p>	<p>(L)</p>  <p>M6</p> <p>X4</p>
<p>(M)</p>  <p>M4</p> <p>X1</p>	<p>(N)</p>  <p>M5</p> <p>X1</p>	<p>(O)</p>  <p>X1</p>	<p>(P)</p>  <p>X1</p>
<p>(Q)</p>  <p>X16</p>	<p>(R)</p>  <p>X16</p>	<p>(S)</p>  <p>X8</p>	
<p>(T)</p>  <p>X3</p> <p>(T)</p>  <p>x18</p>	<p>(U)</p>  <p>X1</p>	<p>(V)</p>  <p>X2</p> <p>(V1)</p>  <p>x4</p> <p>(V2)</p>  <p>x10</p> <p>(V3)</p>  <p>x2</p> <p>(V4)</p>  <p>x2</p>	


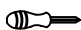
1



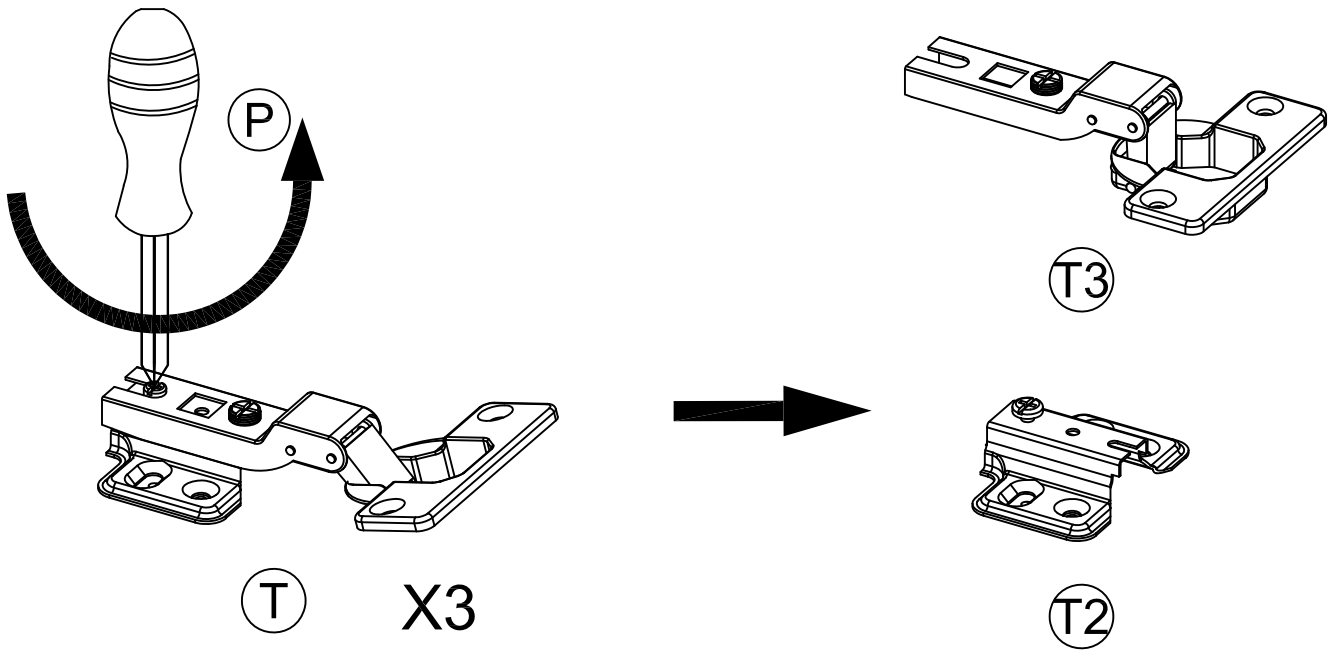
	Q x 8
	P x 1



2



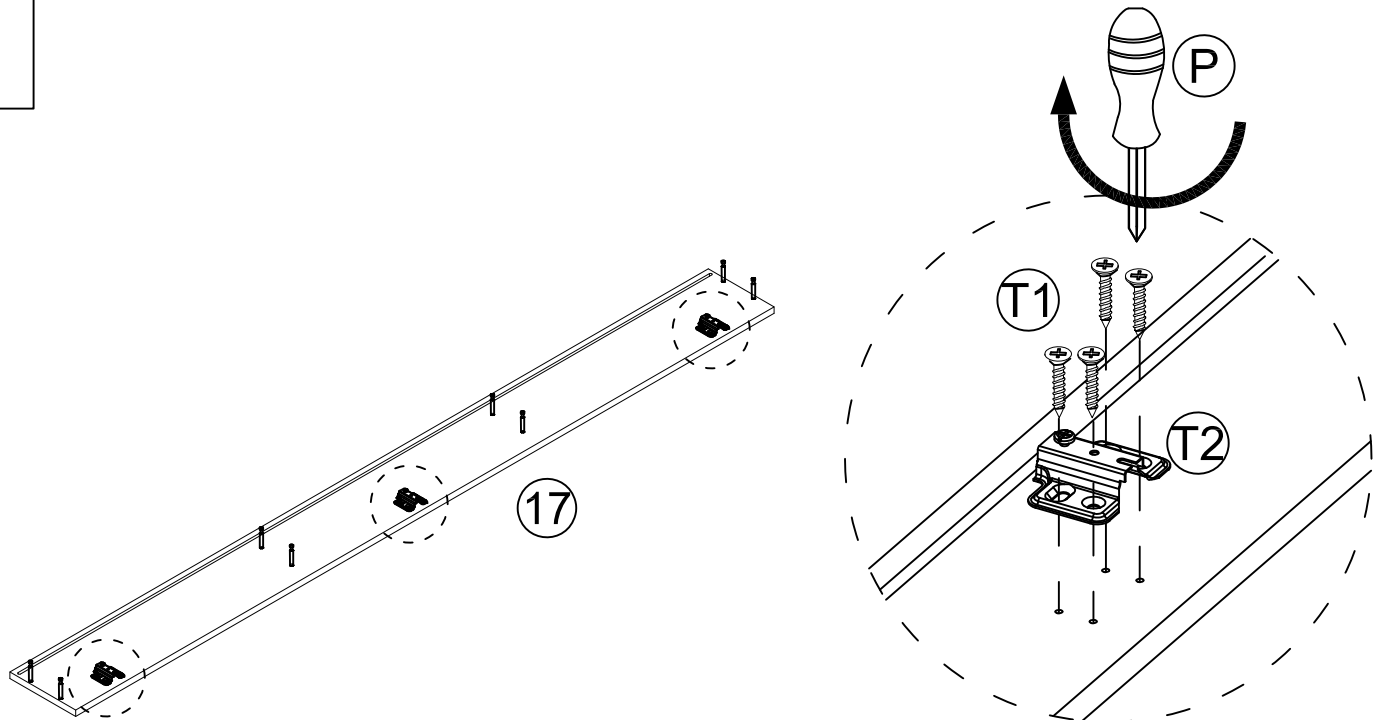
	Q x 8
	P x 1




3



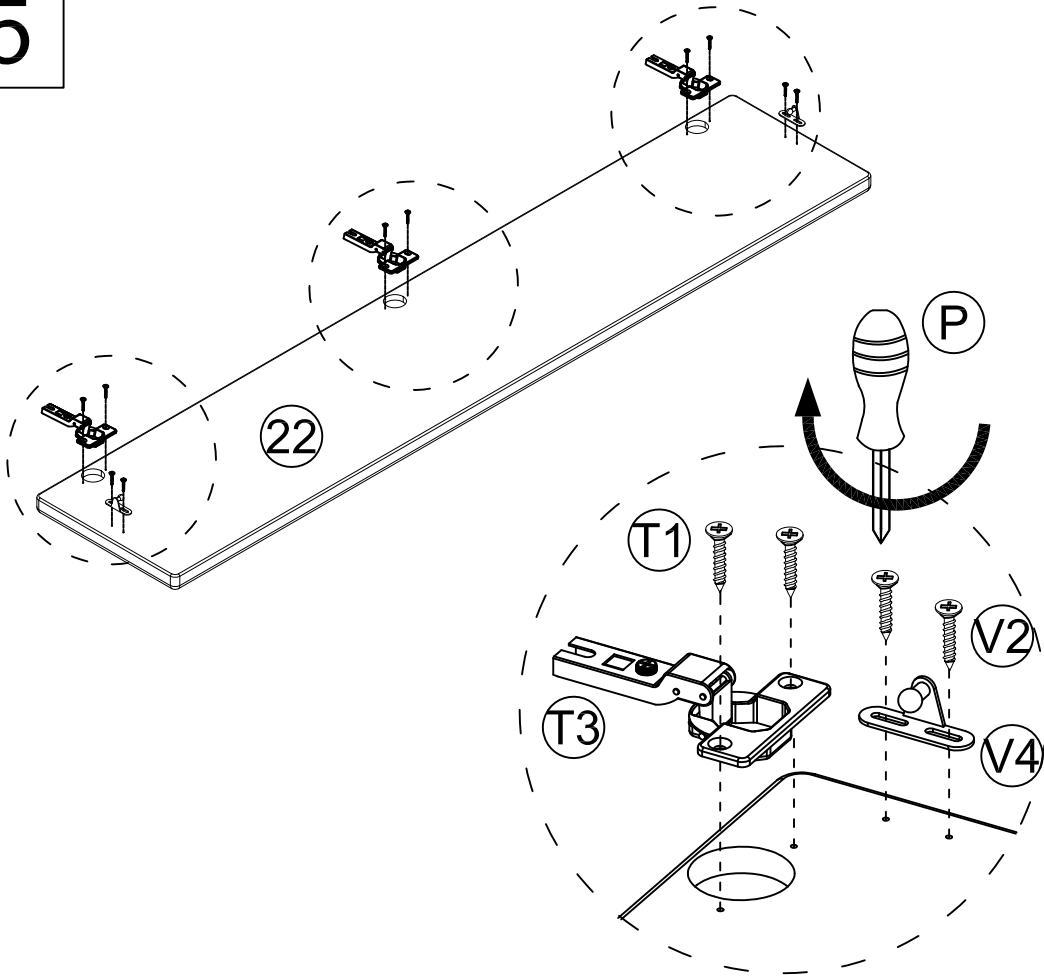
	(T) x3
	(P) x1

4



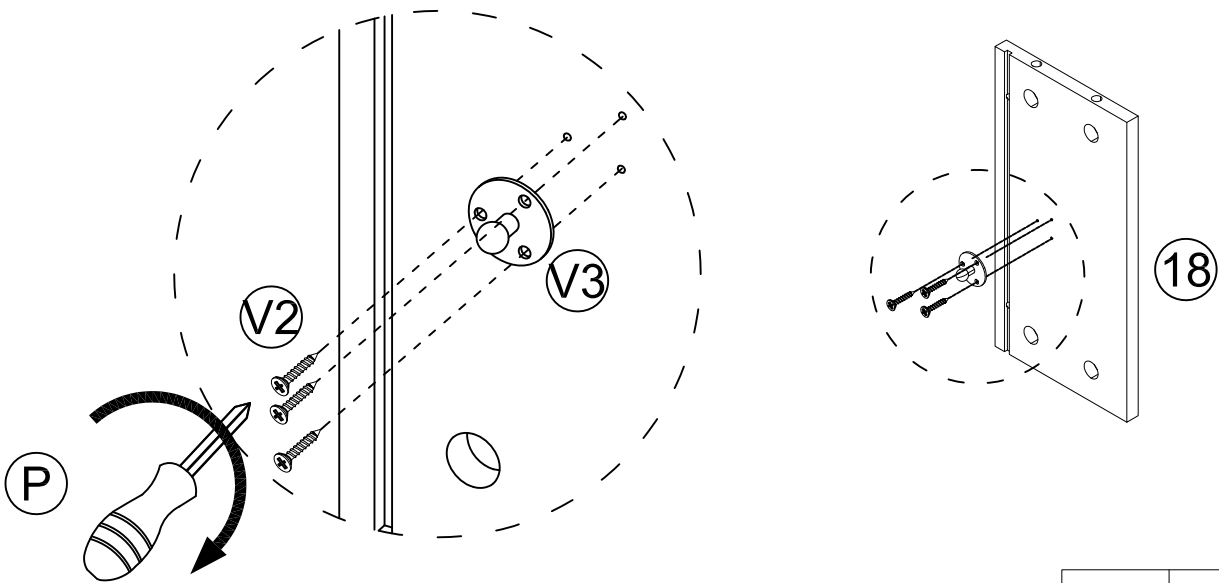
	(T2) X3
	(T1) X12
	(P) X1

5



	(V2)	X4
	(V4)	X2
	(T3)	X3
	(T1)	X6
	(P)	X1

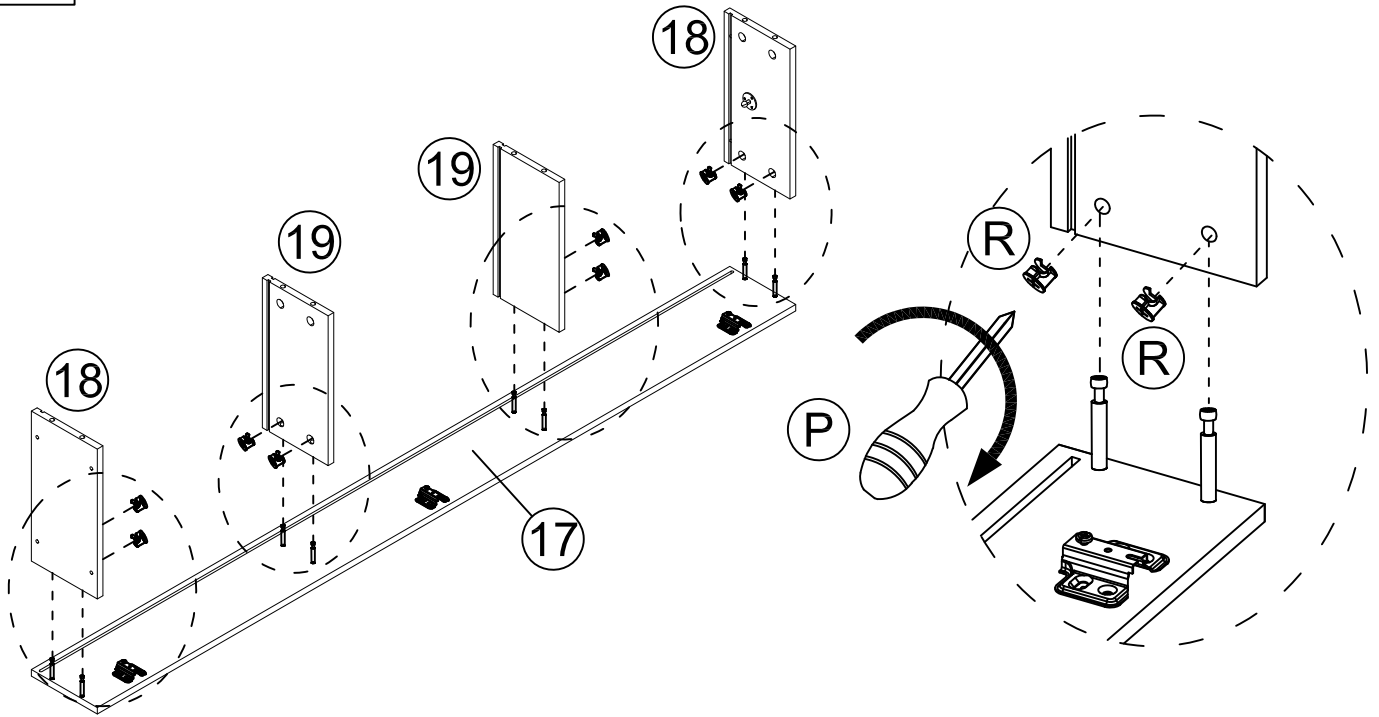
6


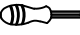


X2

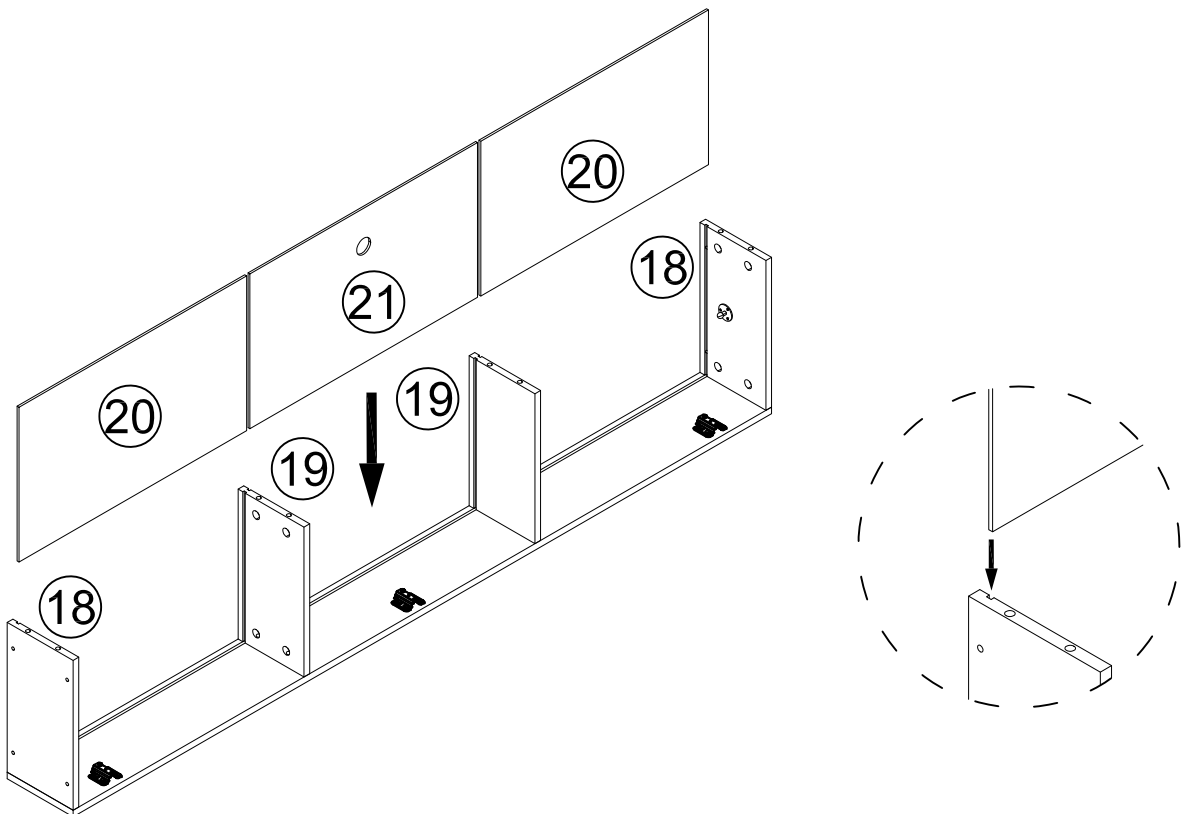
	(V2)	X6
	(V3)	X2
	(P)	X1

7

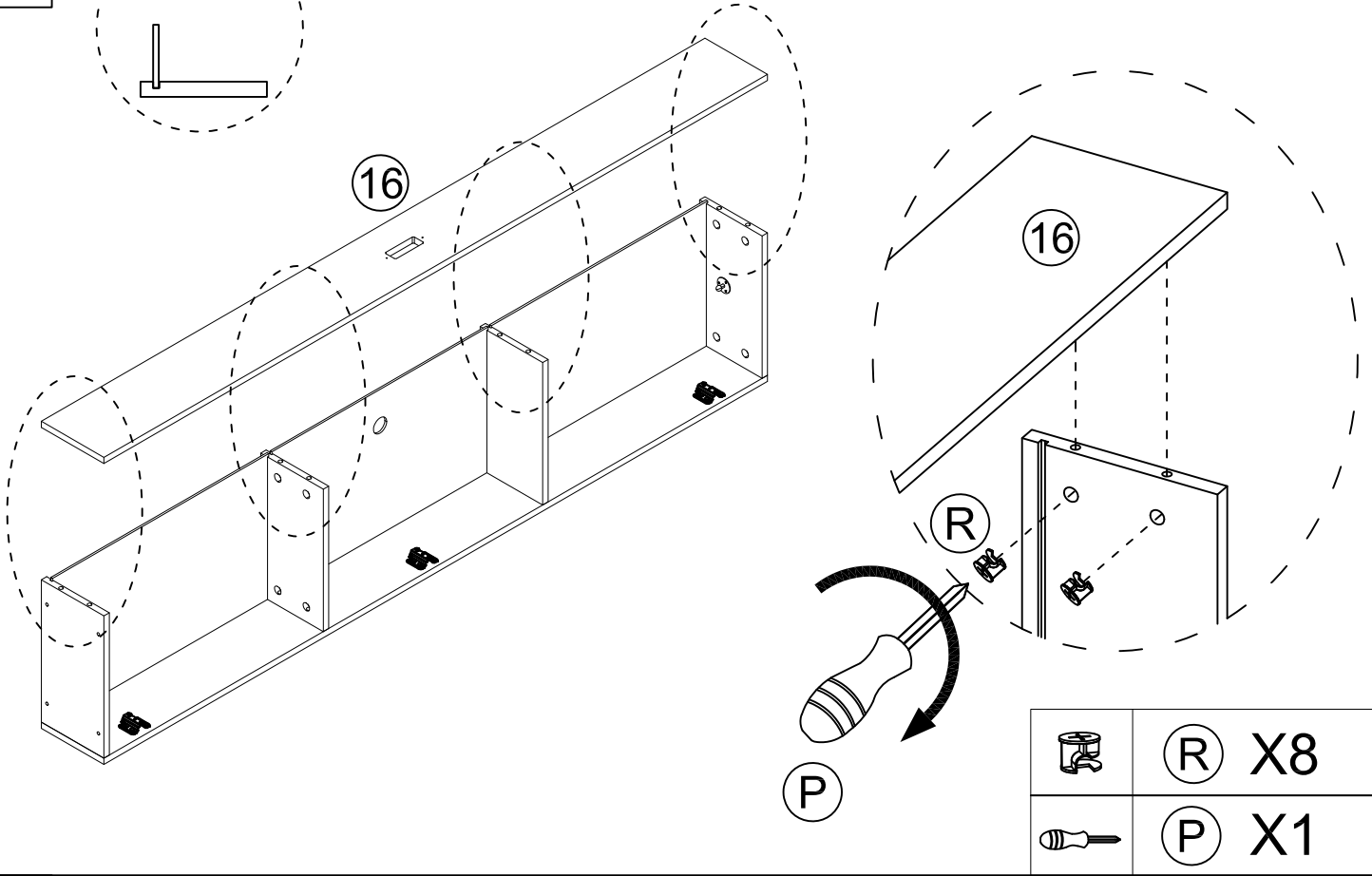
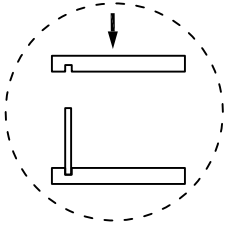


	(R) X8
	(P) X1

8

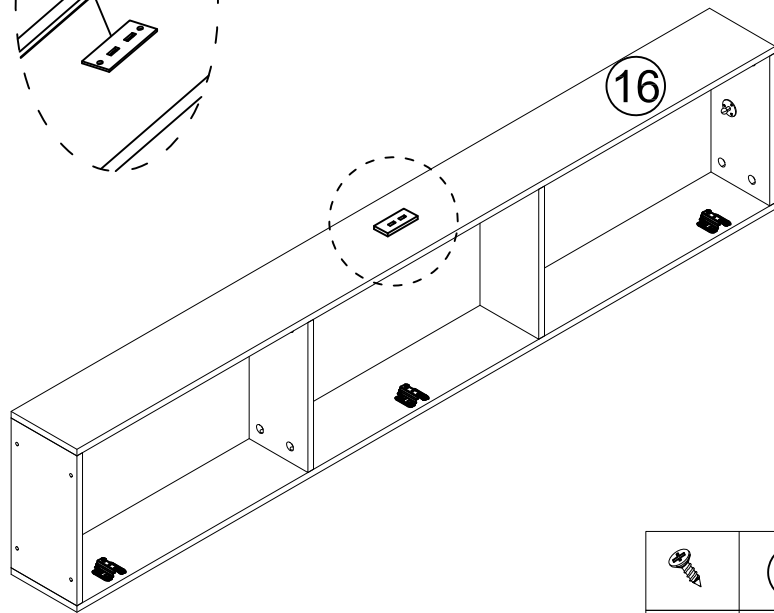
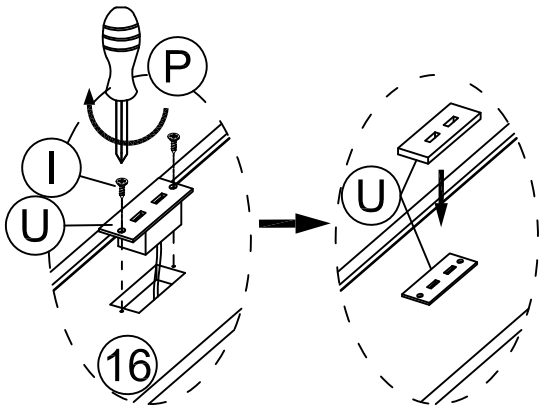


9



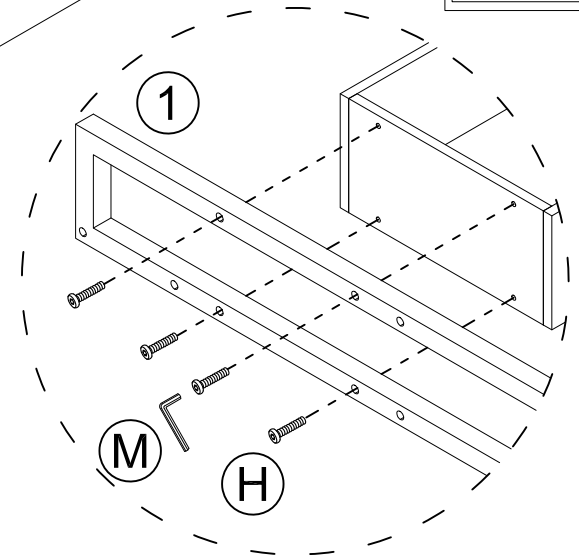
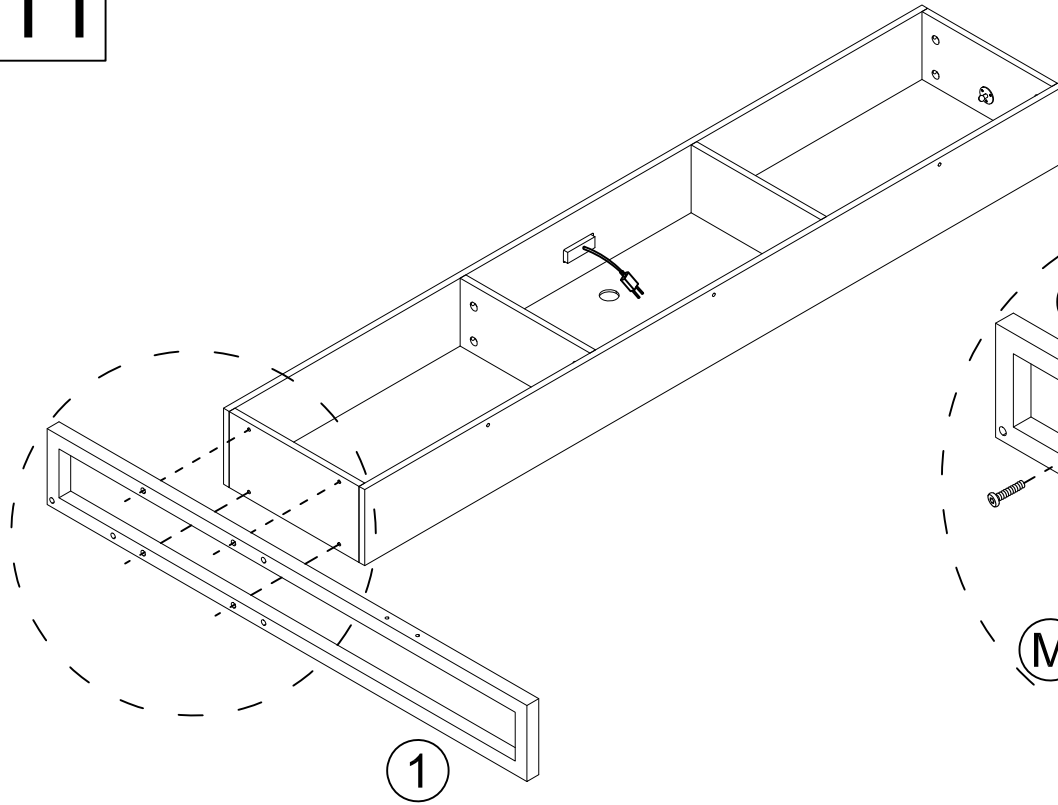
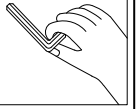
	(R) X8
	(P) X1

10



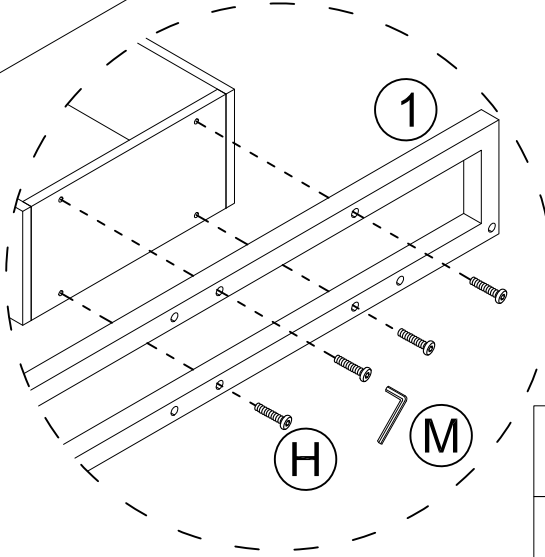
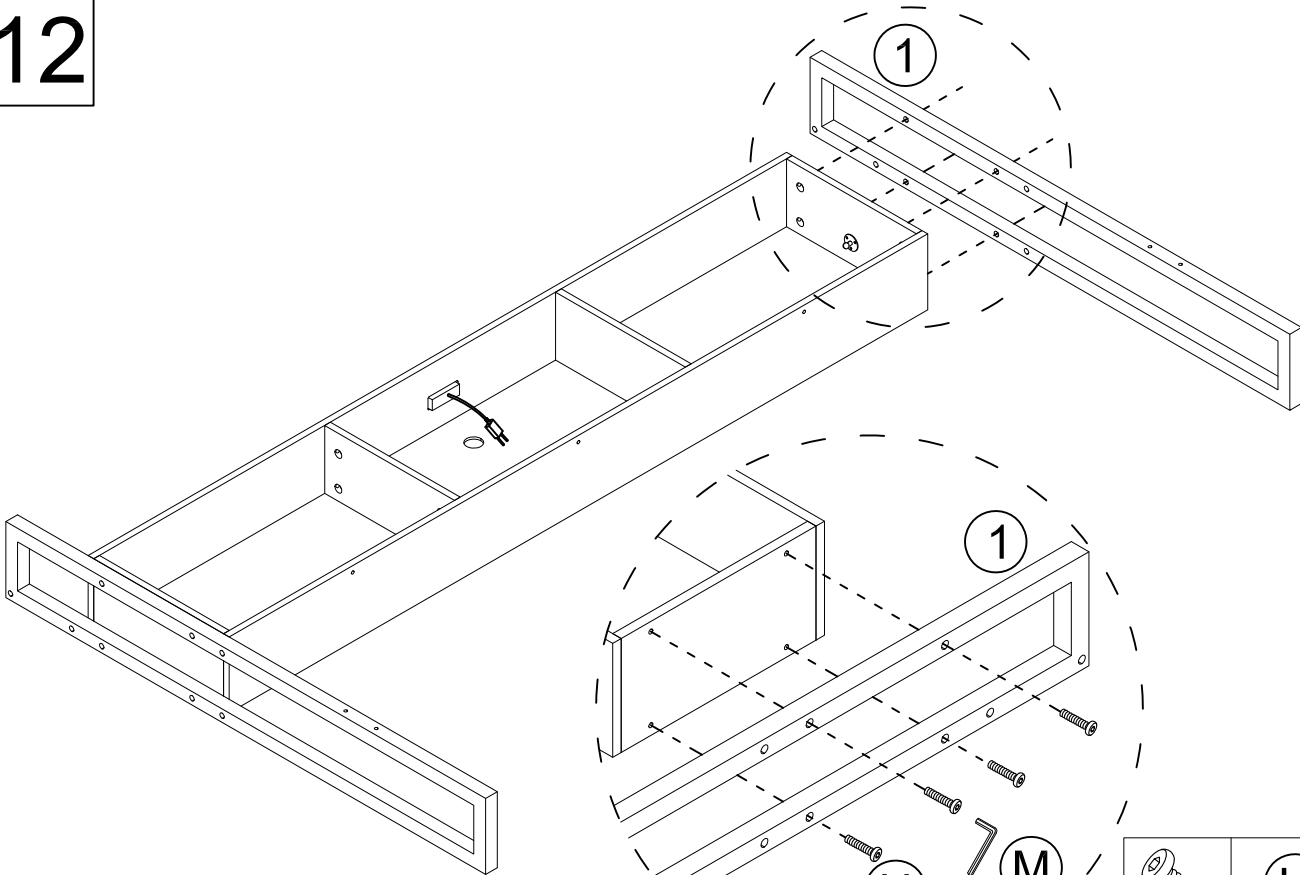
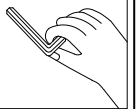
	(I) x2
	(P) x1
	(U) x1

11



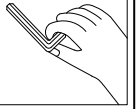
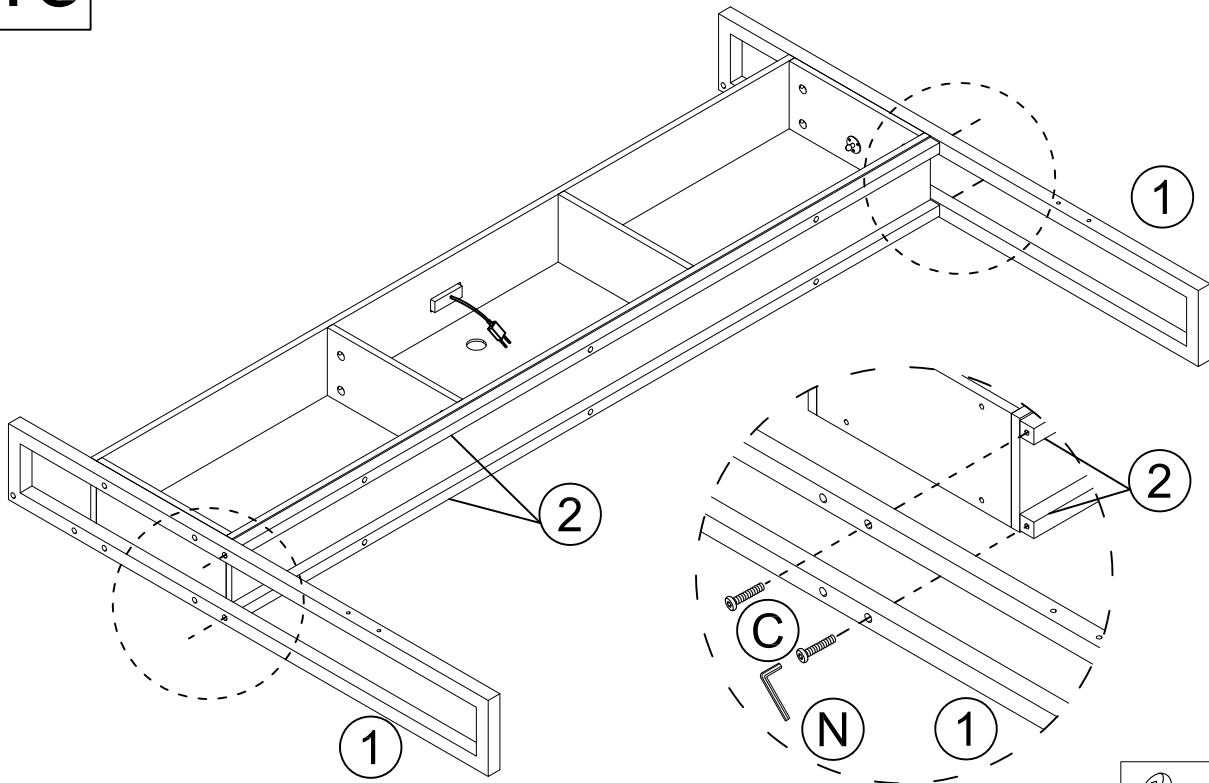
	(H) X4
	(M) X1



12



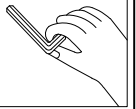
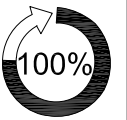
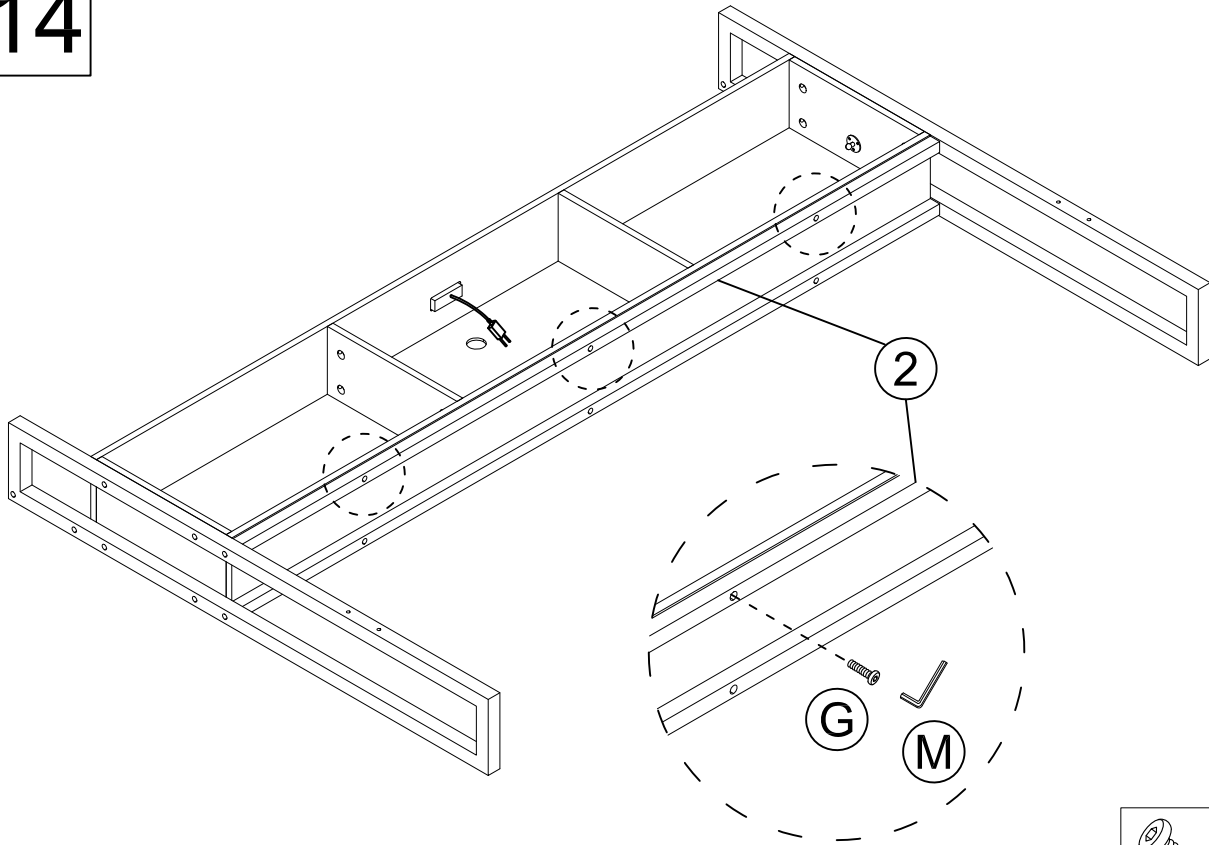
	(H) X4
	(M) X1



13



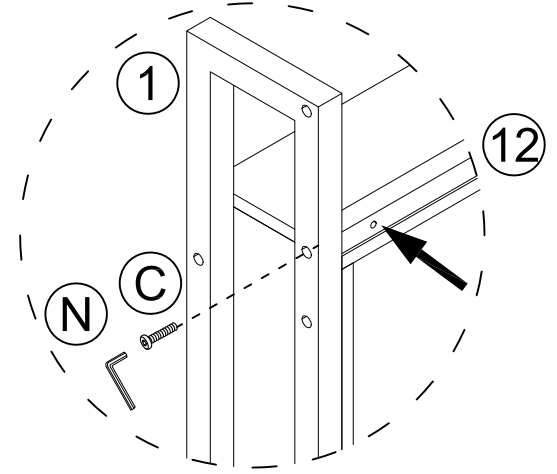
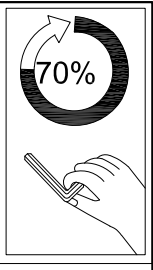
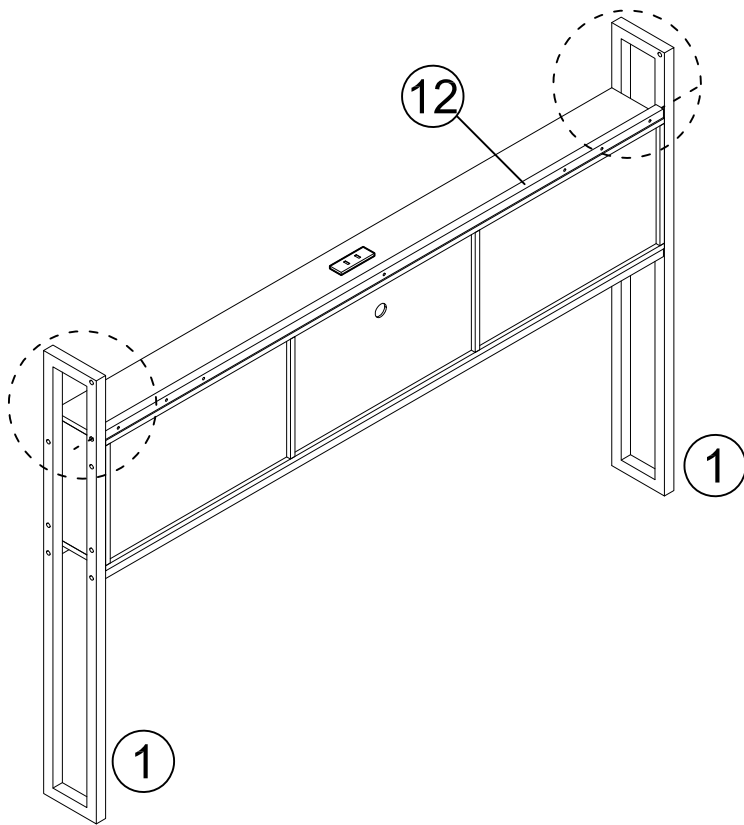
	(C) X4
	(N) X1



14



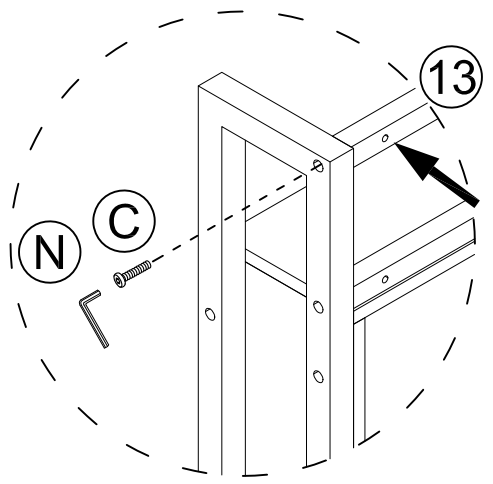
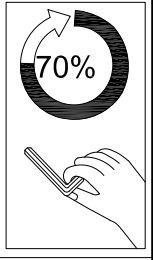
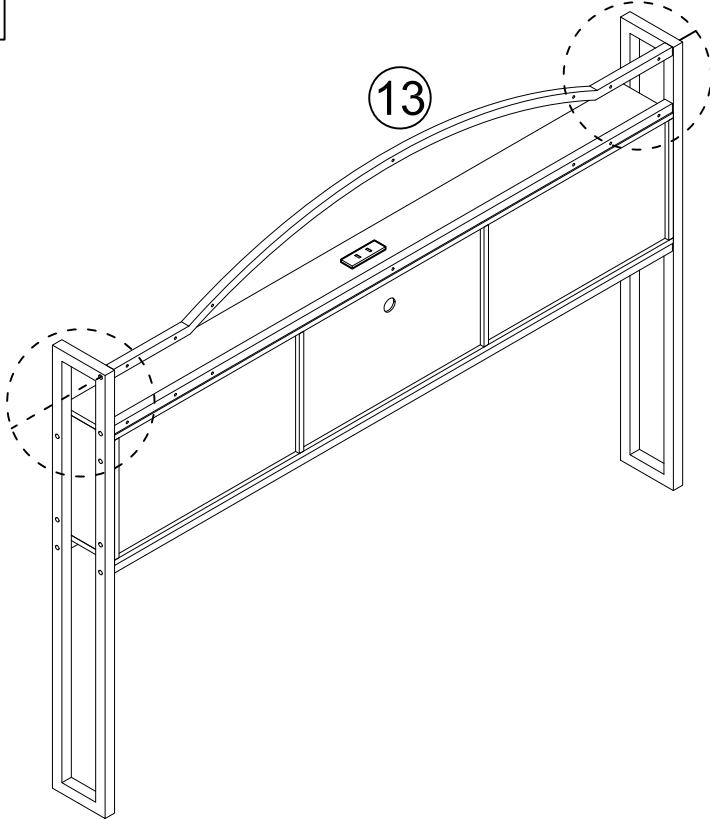
	(G) X3
	(M) X1



15



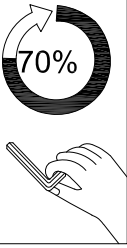
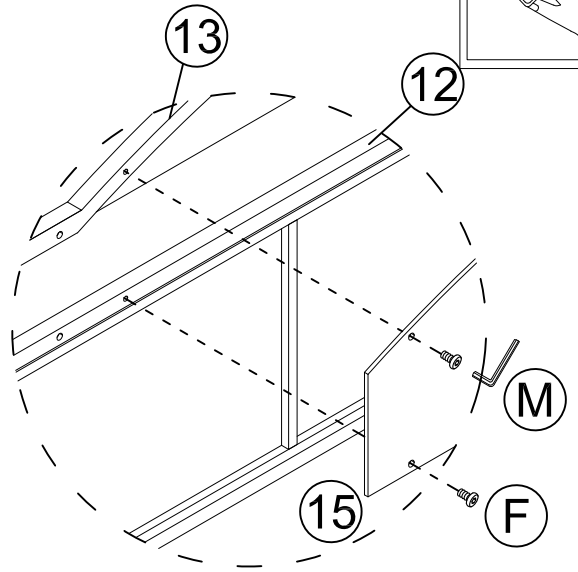
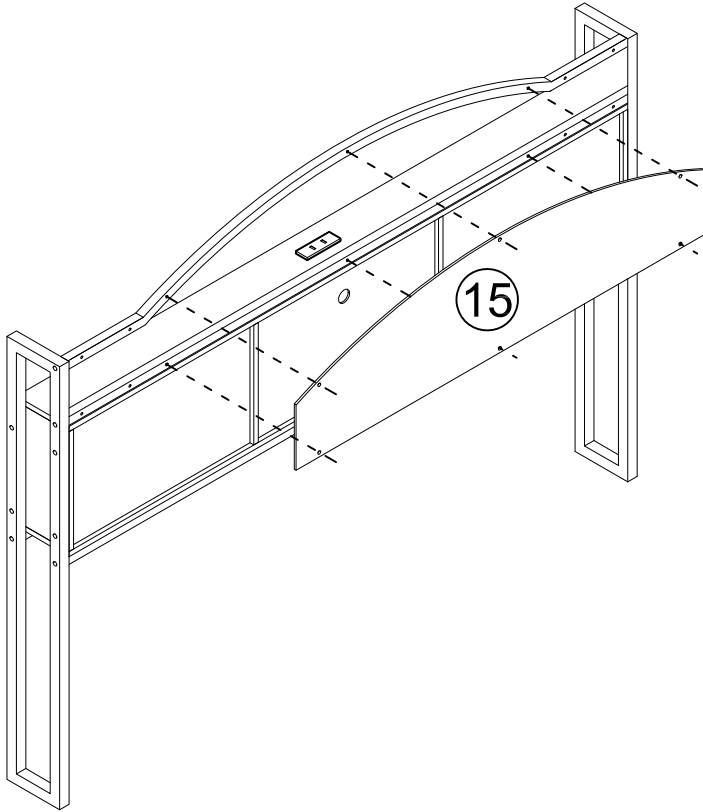
	(C) X2
	(N) X1



16



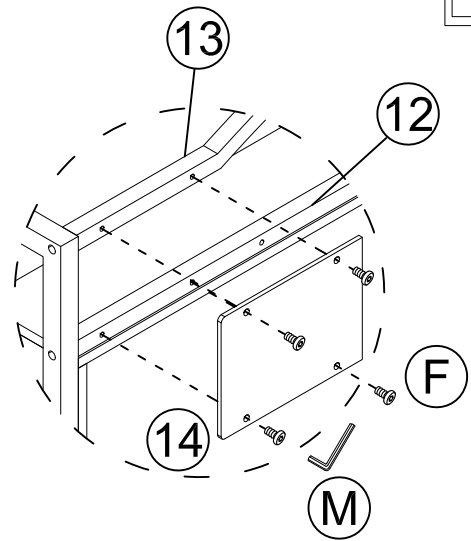
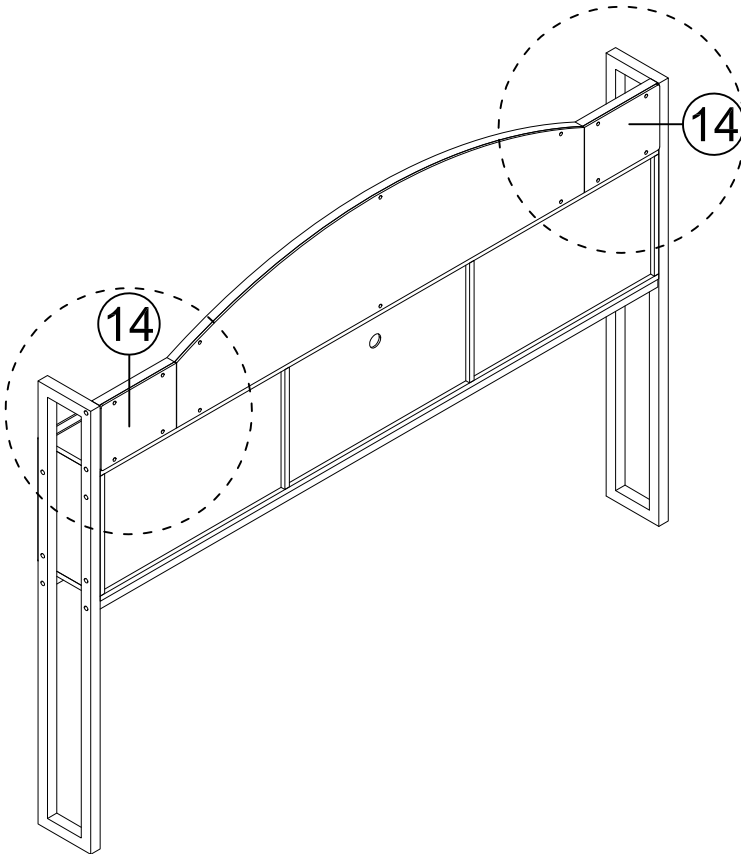
	(C) X2
	(N) X1



17



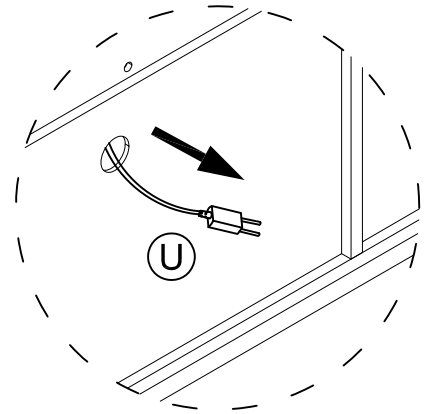
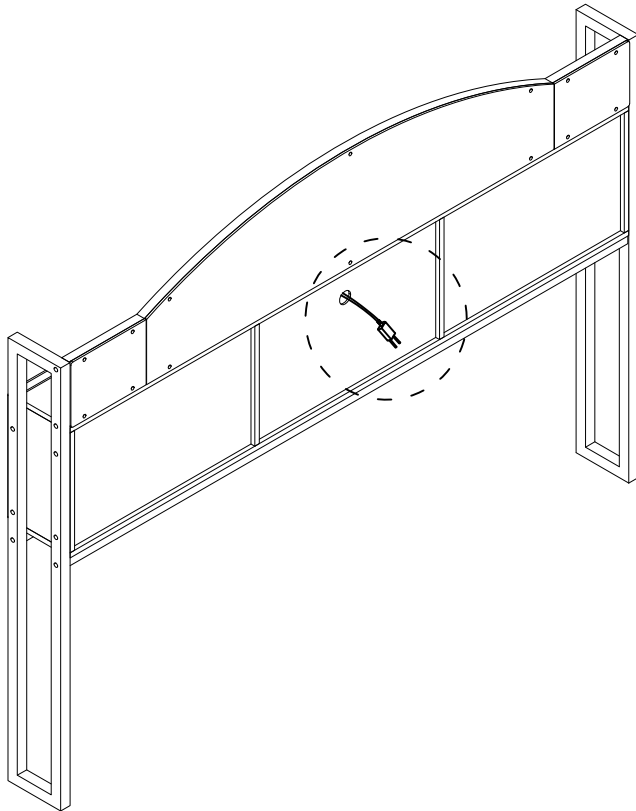
	(F) X6
	(M) X1

18

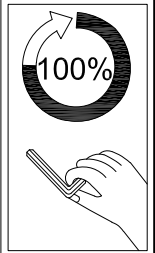
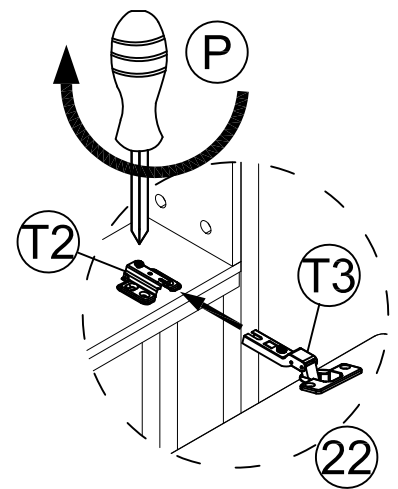
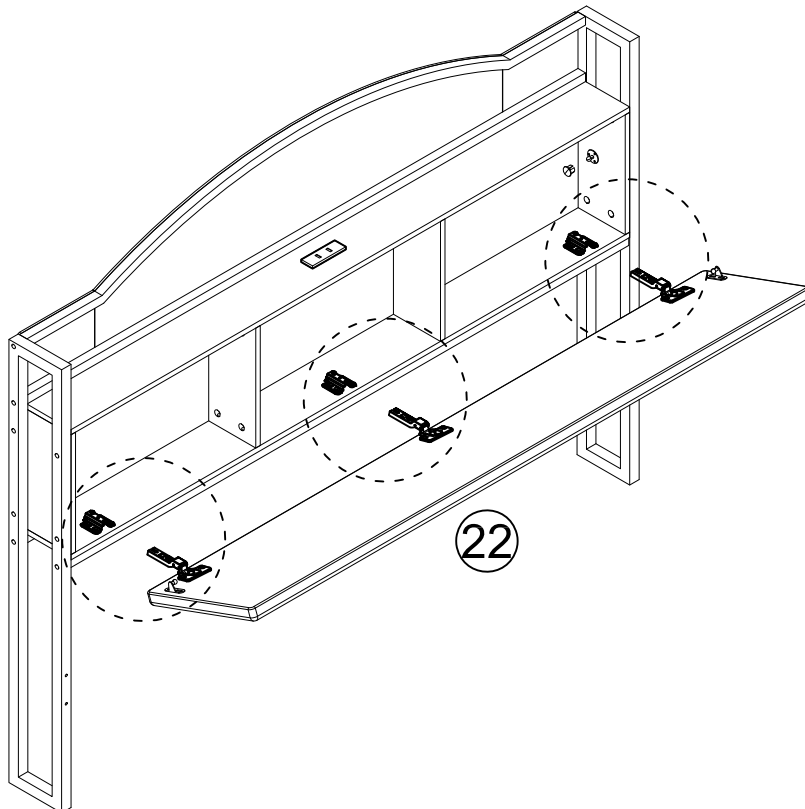


	(F) X8
	(M) X1

19

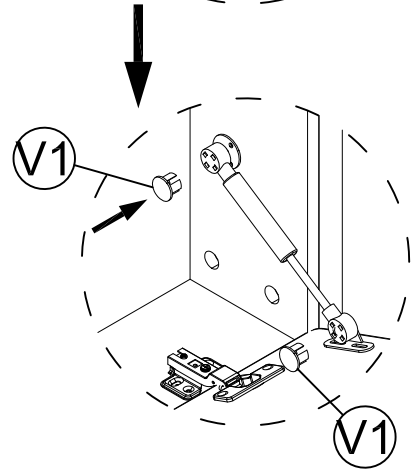
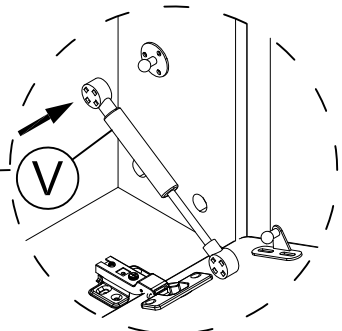
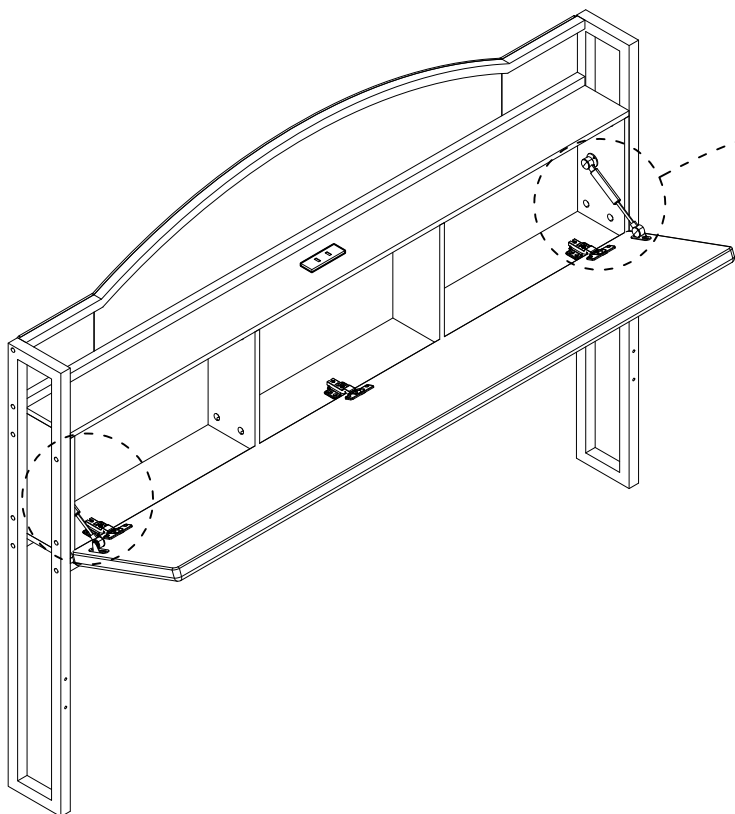


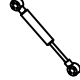

20



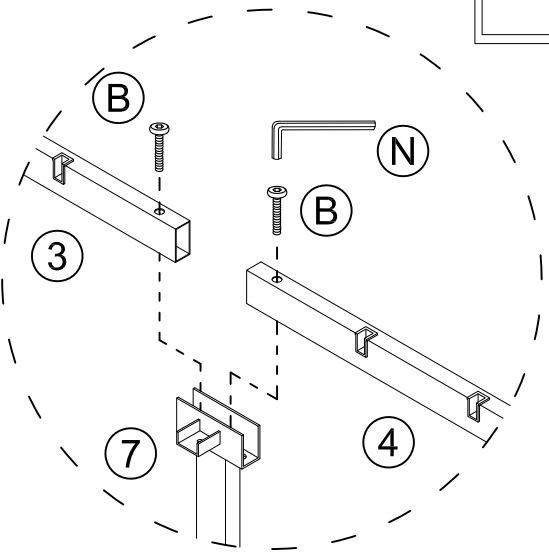
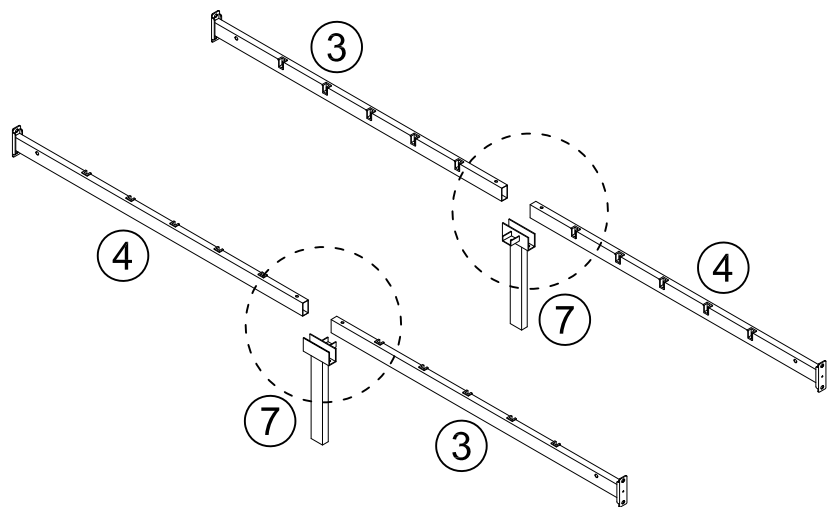
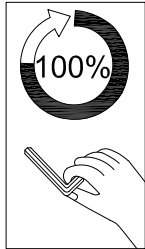
 (P) X1



21



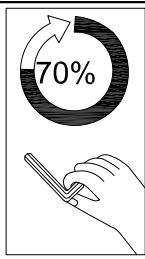
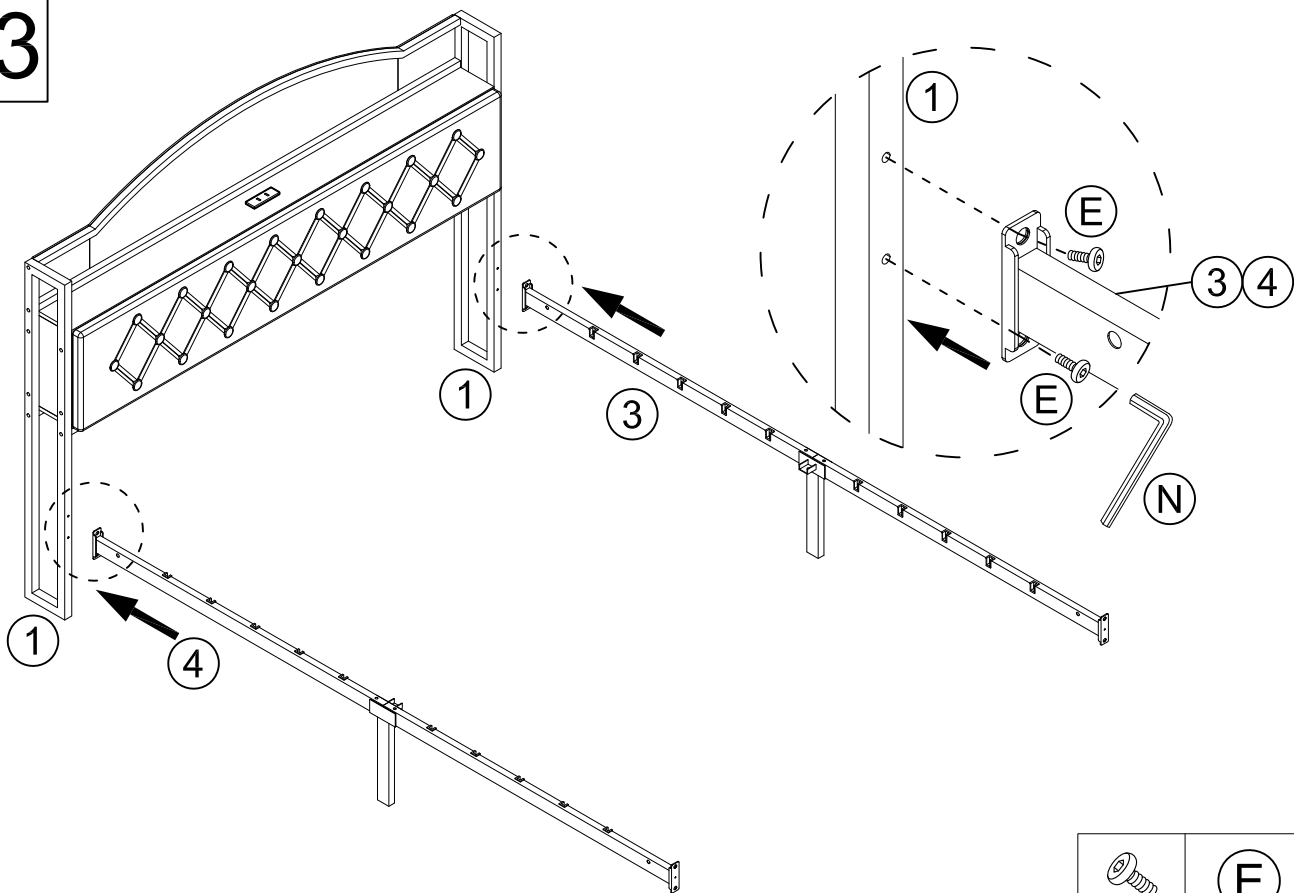
	(V) X2
	(V1) X4

22



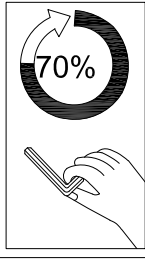
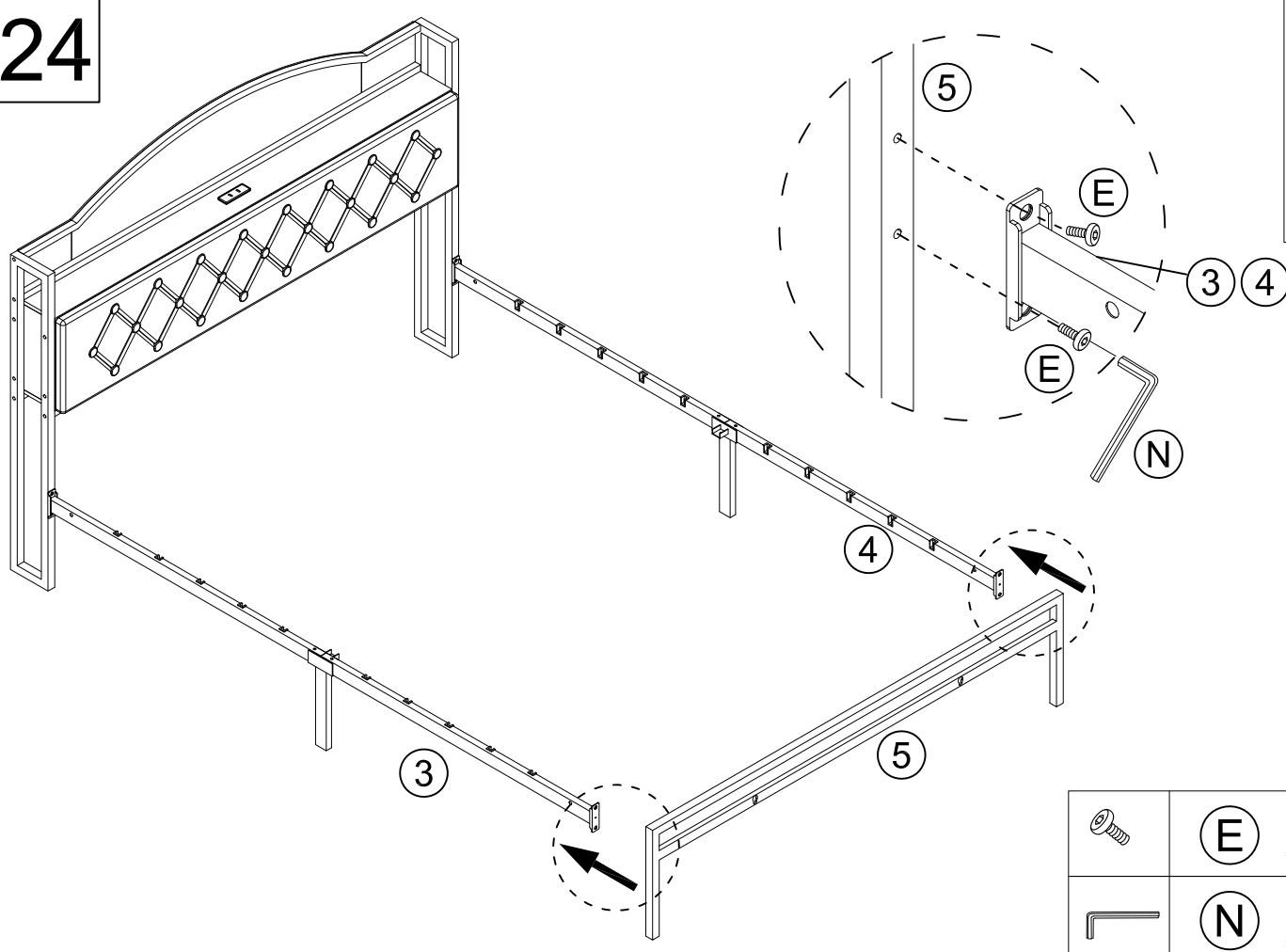
	(B) X4
	(N) X1

23



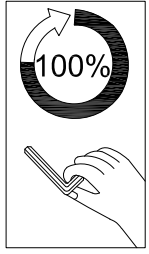
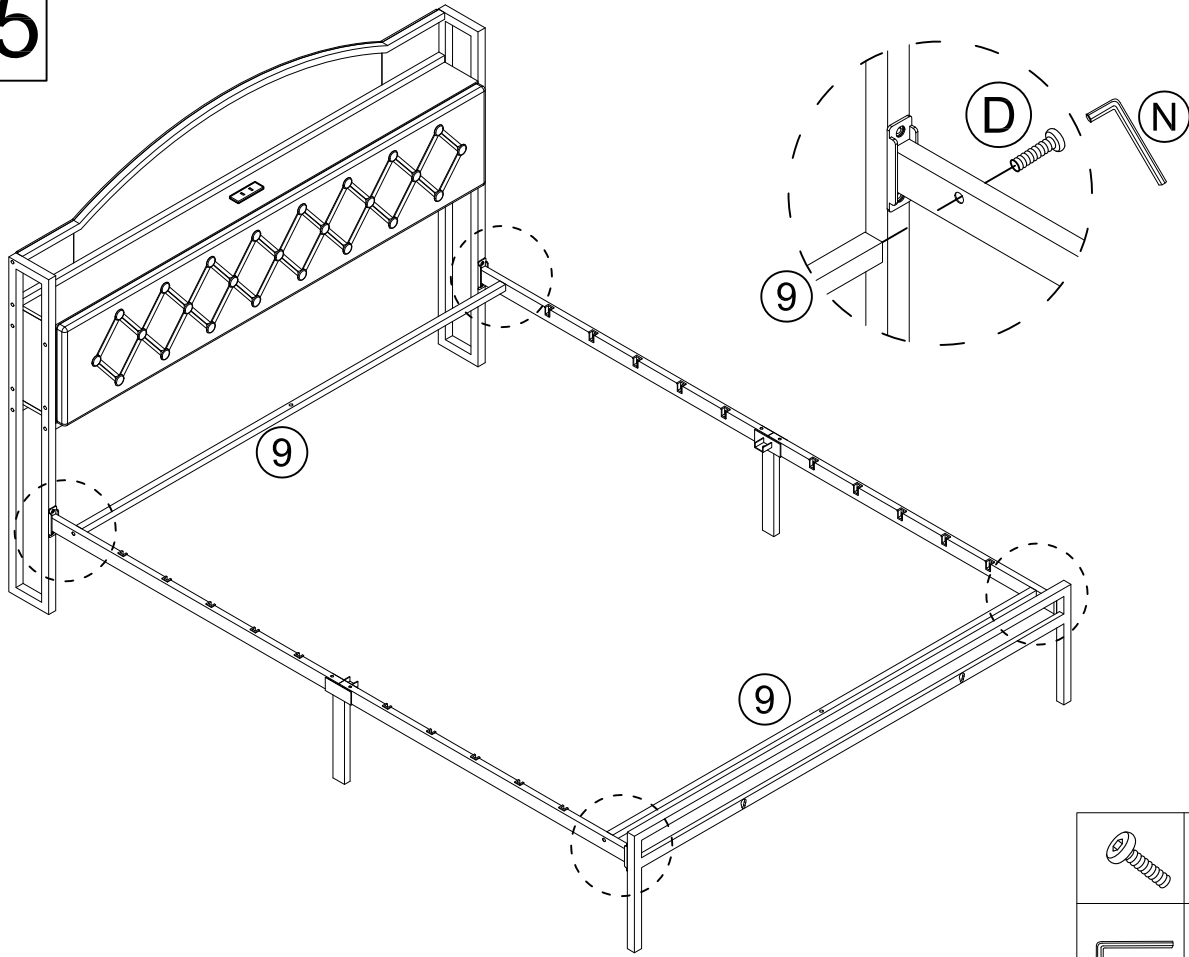
	(E) X4
	(N) X1

24



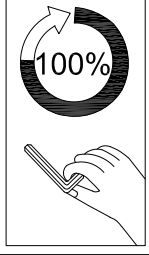
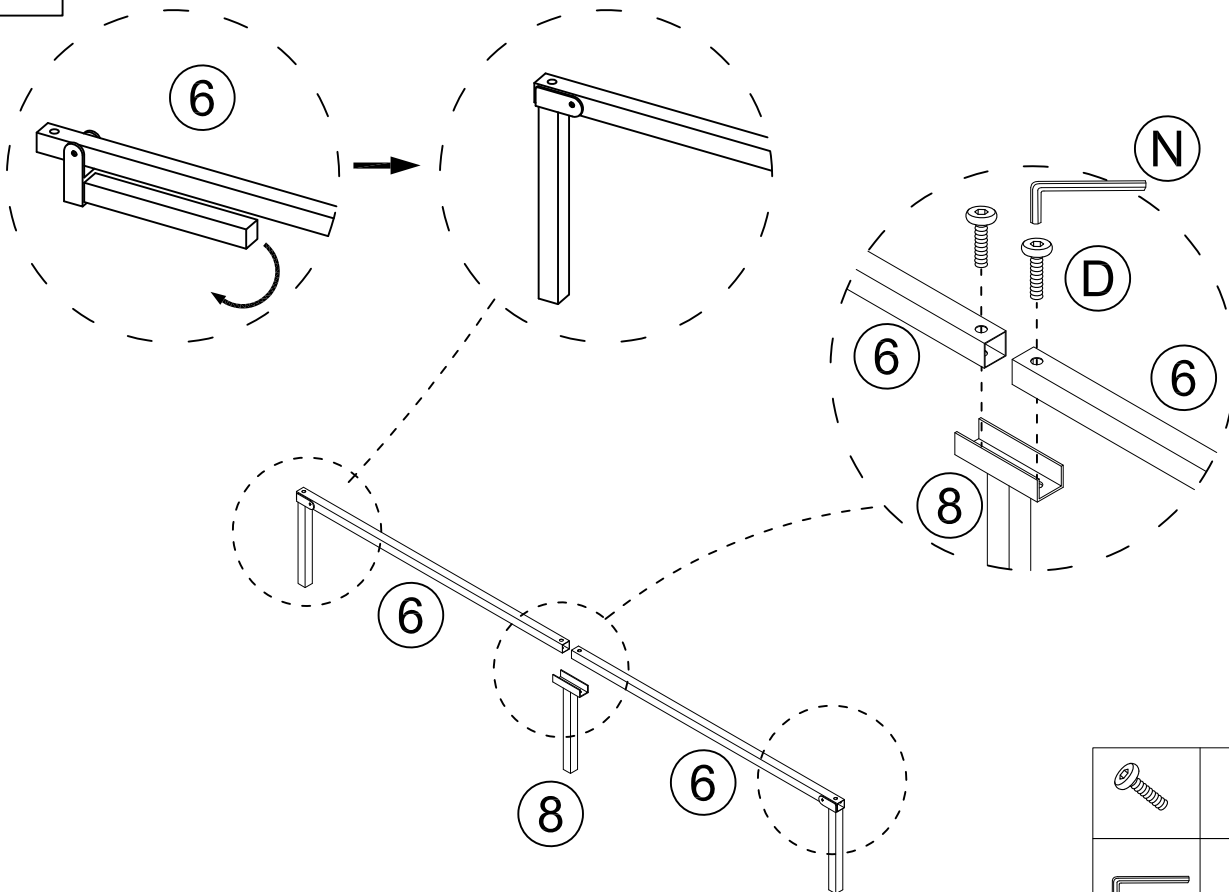
	(E) X4
	(N) X1

25



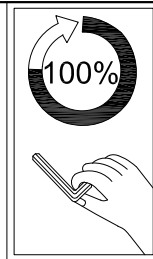
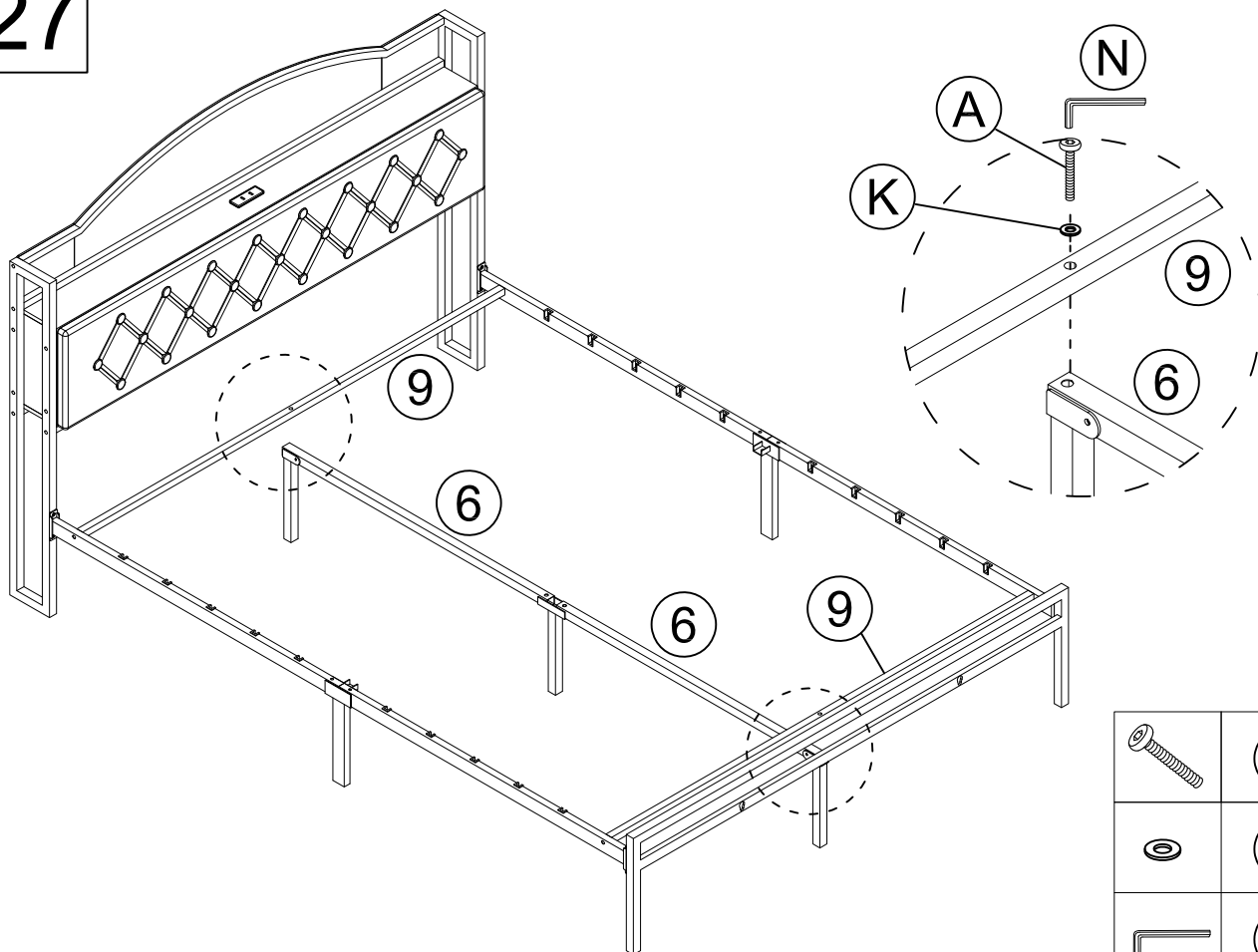
	(D) X4
	(N) X1

26



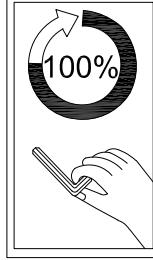
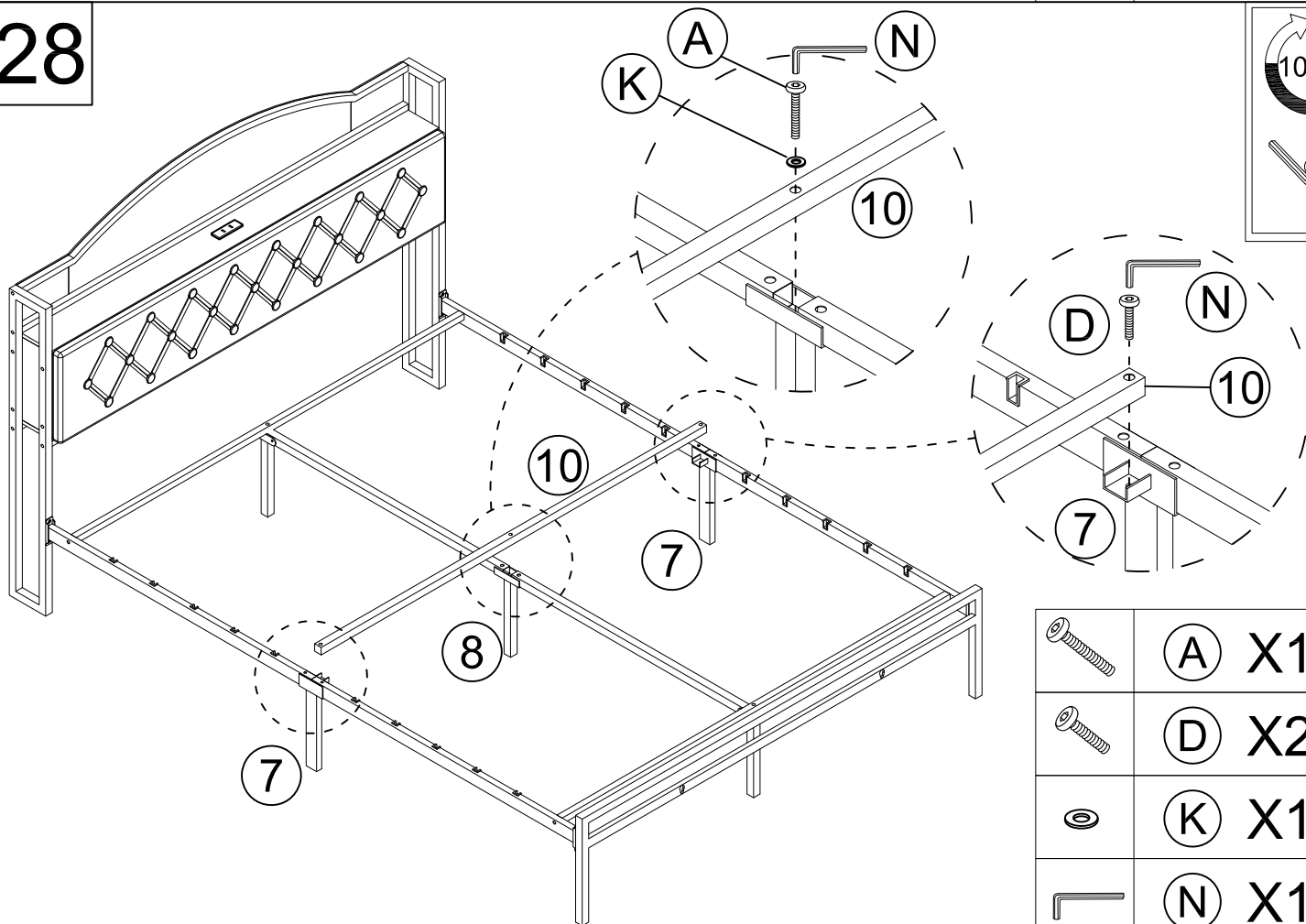
	(D) X2
	(N) X1

27



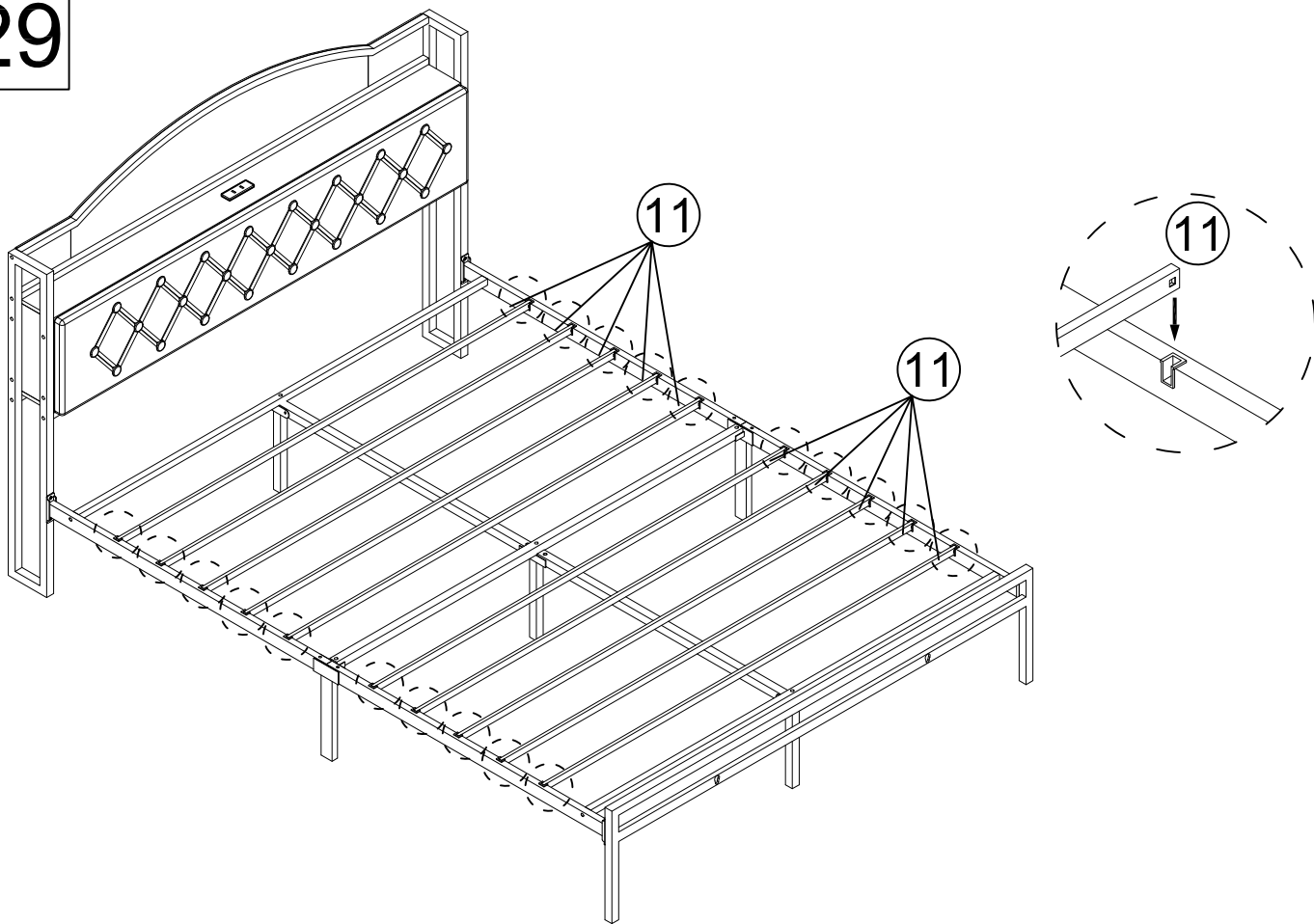
	(A) X2
	(K) X2
	(N) X1

28

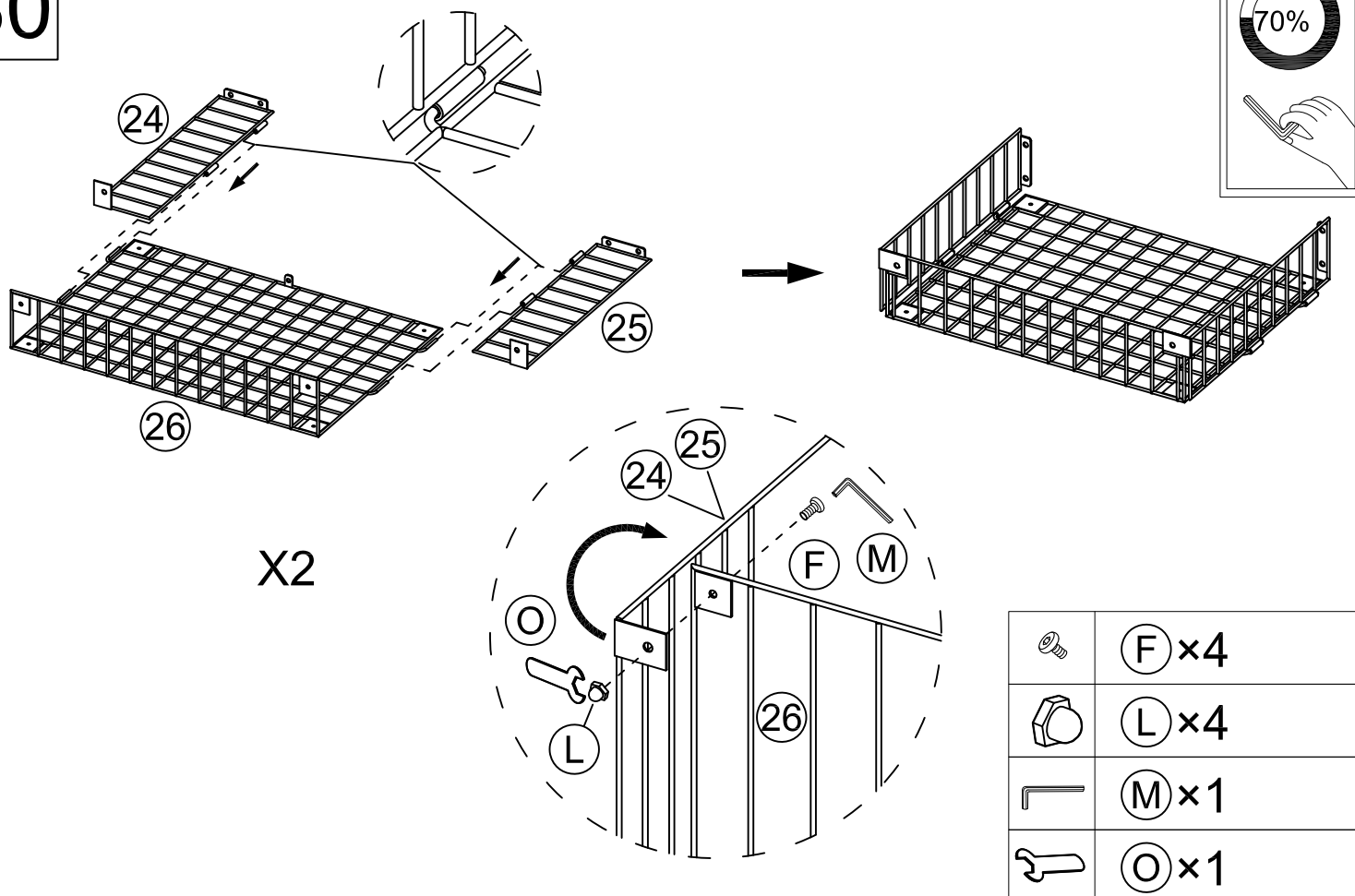


	(A) X1
	(D) X2
	(K) X1
	(N) X1

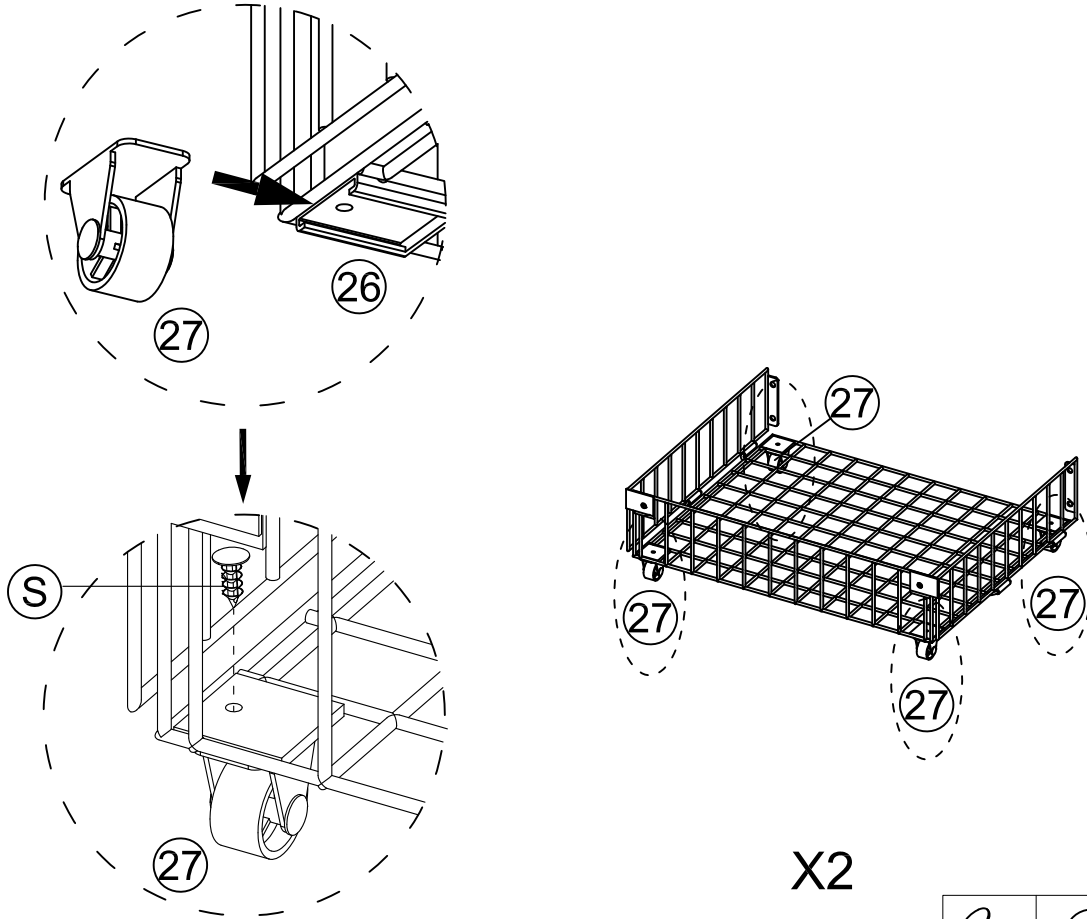
29




30

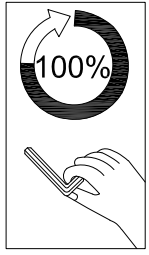
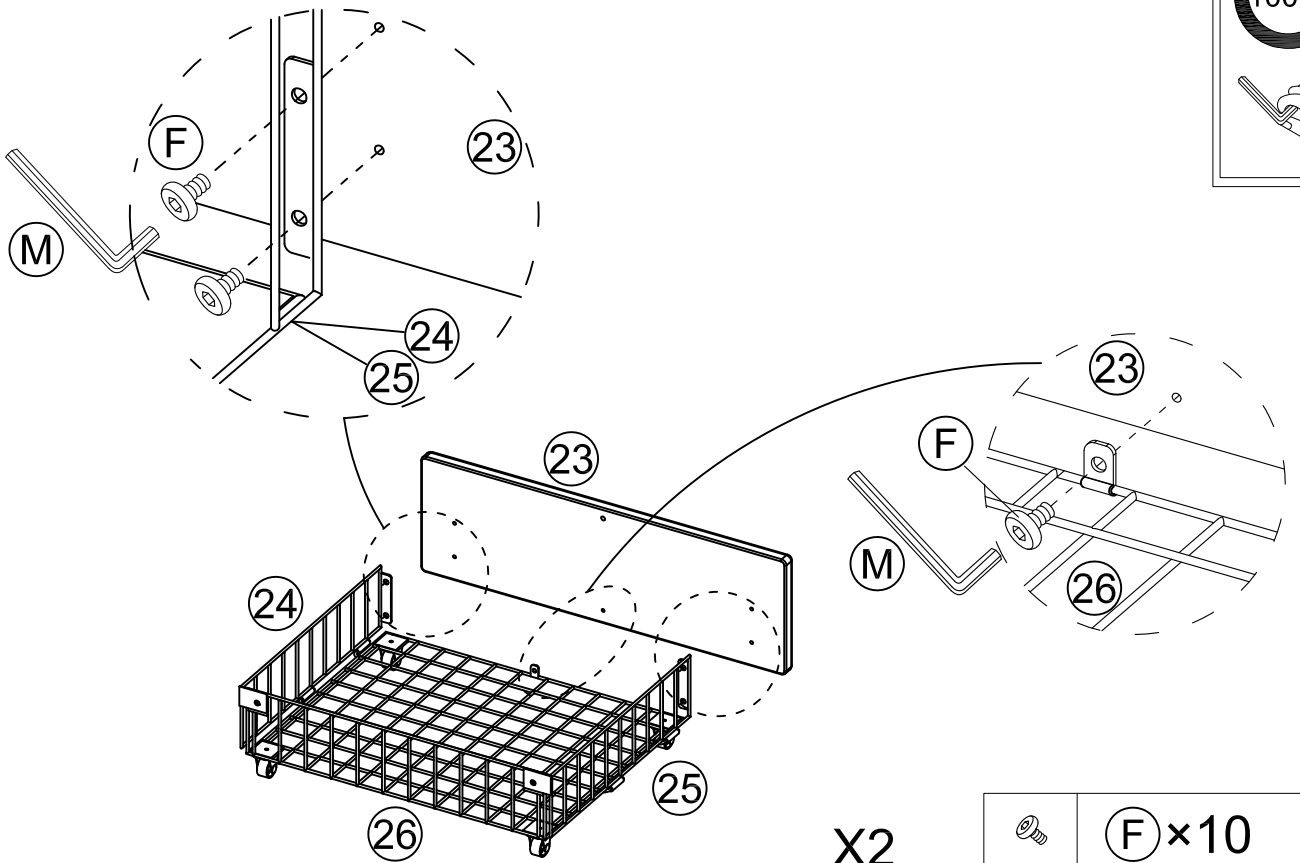




31



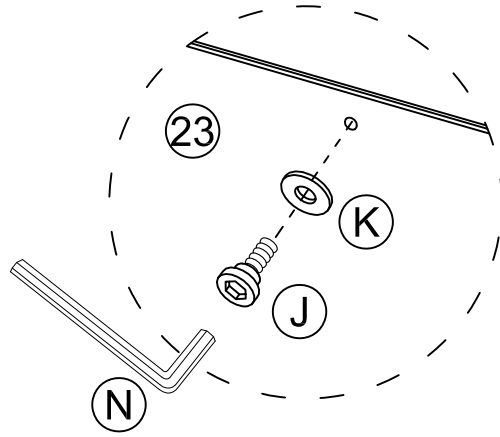
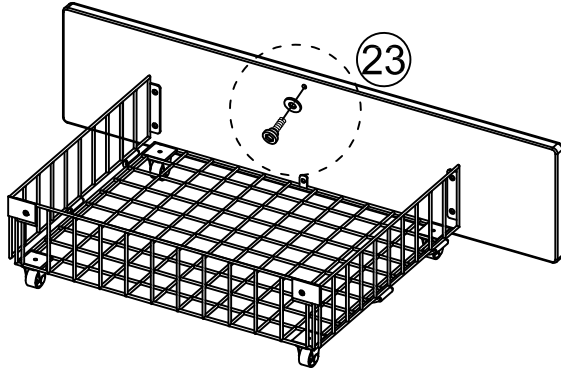
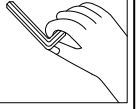
	(S) x 8
---	---------

32



	(F) x 10
	(M) x 1

33



X2

	(J) x2
	(K) x2
	(N) x1

34

