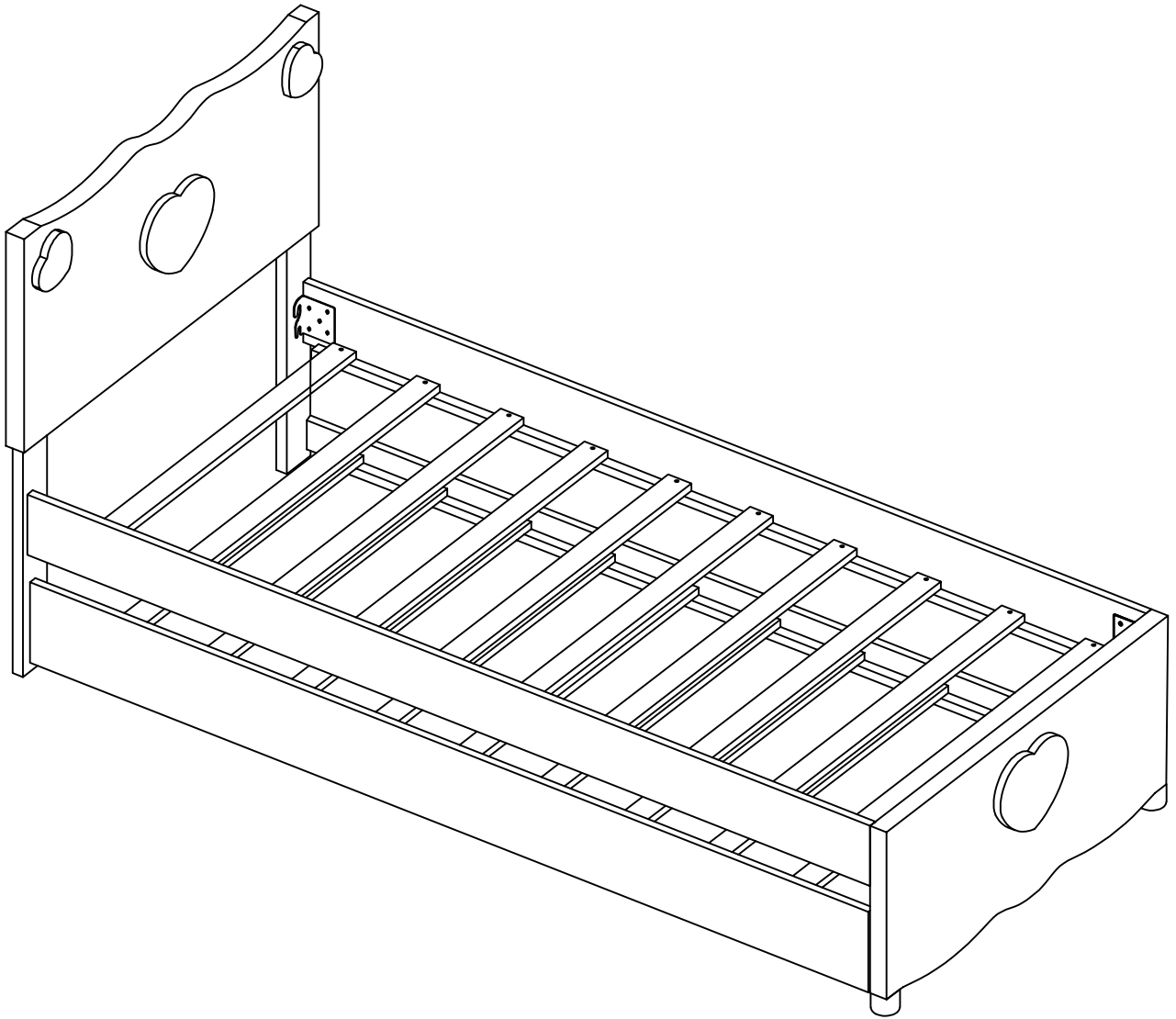
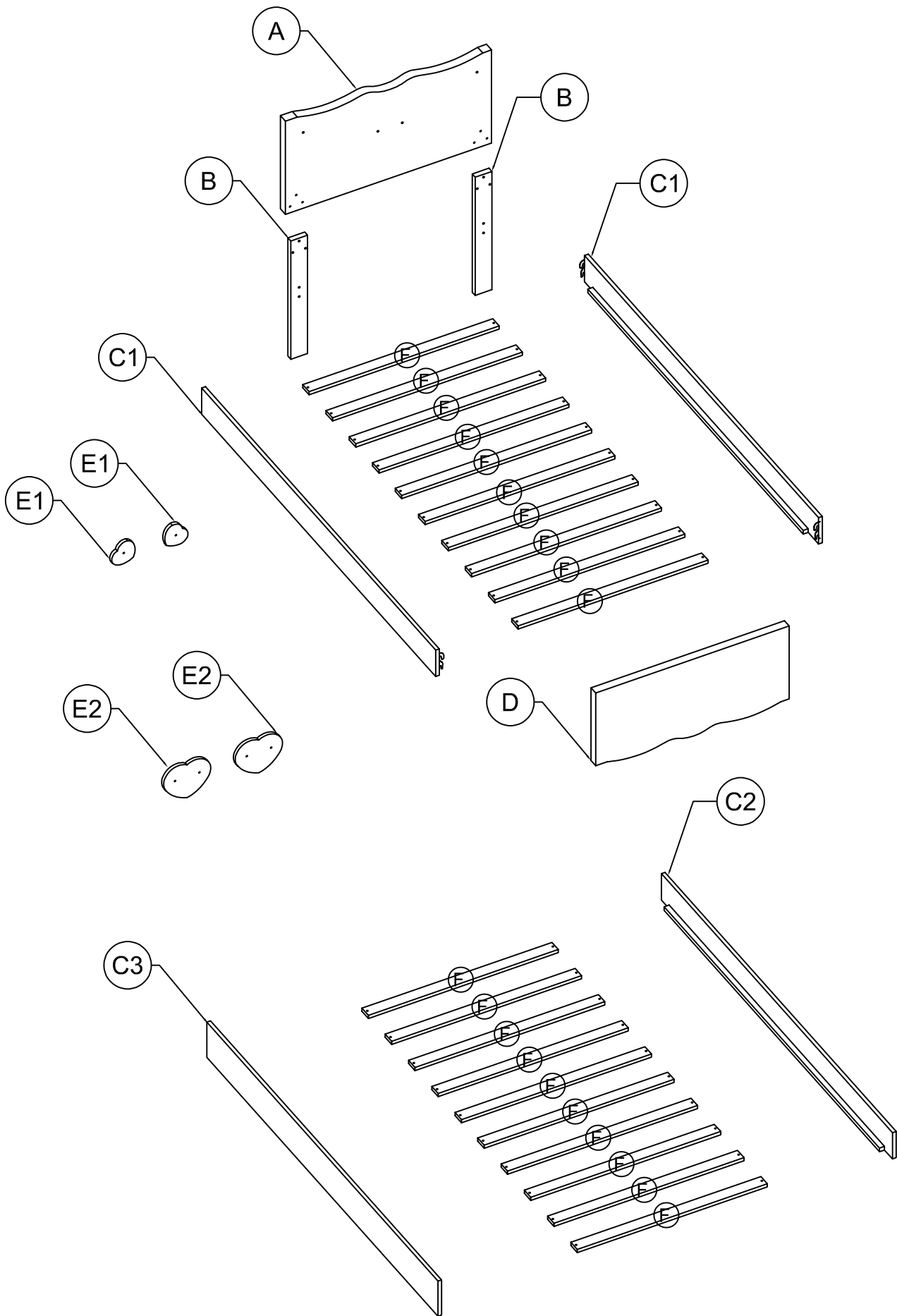


ASSEMBLY INSTRUCTION

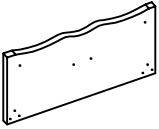

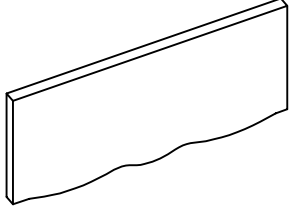
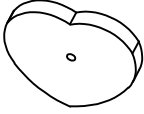
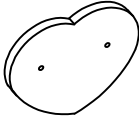
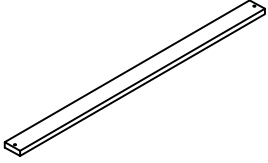
SKU CODE : WF325227 - 325228



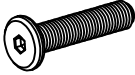
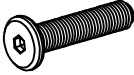


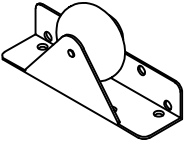
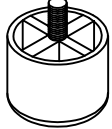

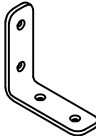
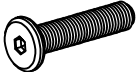
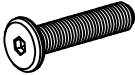
ASSEMBLY INSTRUCTION



Part List(WF325227)

<p>A</p>  <p>HeadBoard-1pcs</p>	<p>B</p>  <p>FootBoard-2pcs</p>	<p>D</p>  <p>BackBoard-1pcs</p>
<p>E1</p>  <p>Heart -2pcs</p>	<p>E2</p>  <p>Heart -2pcs</p>	<p>F</p>  <p>Slats-10pcs</p>

Hardware(WF325227)

<p>1</p>  <p>Ø1/4" x 40mm Hex-Head bolts 6pcs</p>	<p>2</p>  <p>Ø1/4" x 30mm Hex-Head bolts 8pcs</p>	<p>3</p>  <p>M4 x 30 mm Wood Screws 40pcs</p>
<p>4</p>  <p>M4 x 15 mm Wood Screws 24pcs</p>	<p>5</p>  <p>Wheels - 4pcs</p>	<p>6</p>  <p>Plastic Feet - 2pcs</p>
<p>7</p>  <p>Plastic Drawer Stopper 4 pcs</p>	<p>8</p>  <p>Steel Bracket 3pcs</p>	<p>9</p>  <p>Ø1/4" x 35mm Hex-Head bolts 4pcs</p>
<p>10</p>  <p>Ø1/4" x 70mm Hex-Head bolts 2pcs</p>		

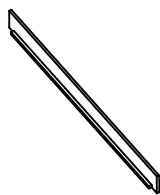
Part List(WF325228)

C1



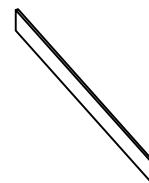
Side Rails-2pcs

C2



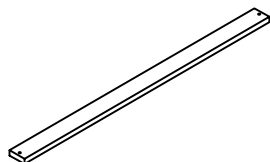
Side Rails-1pcs

C3



Side Rails-1pcs

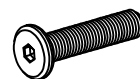
F



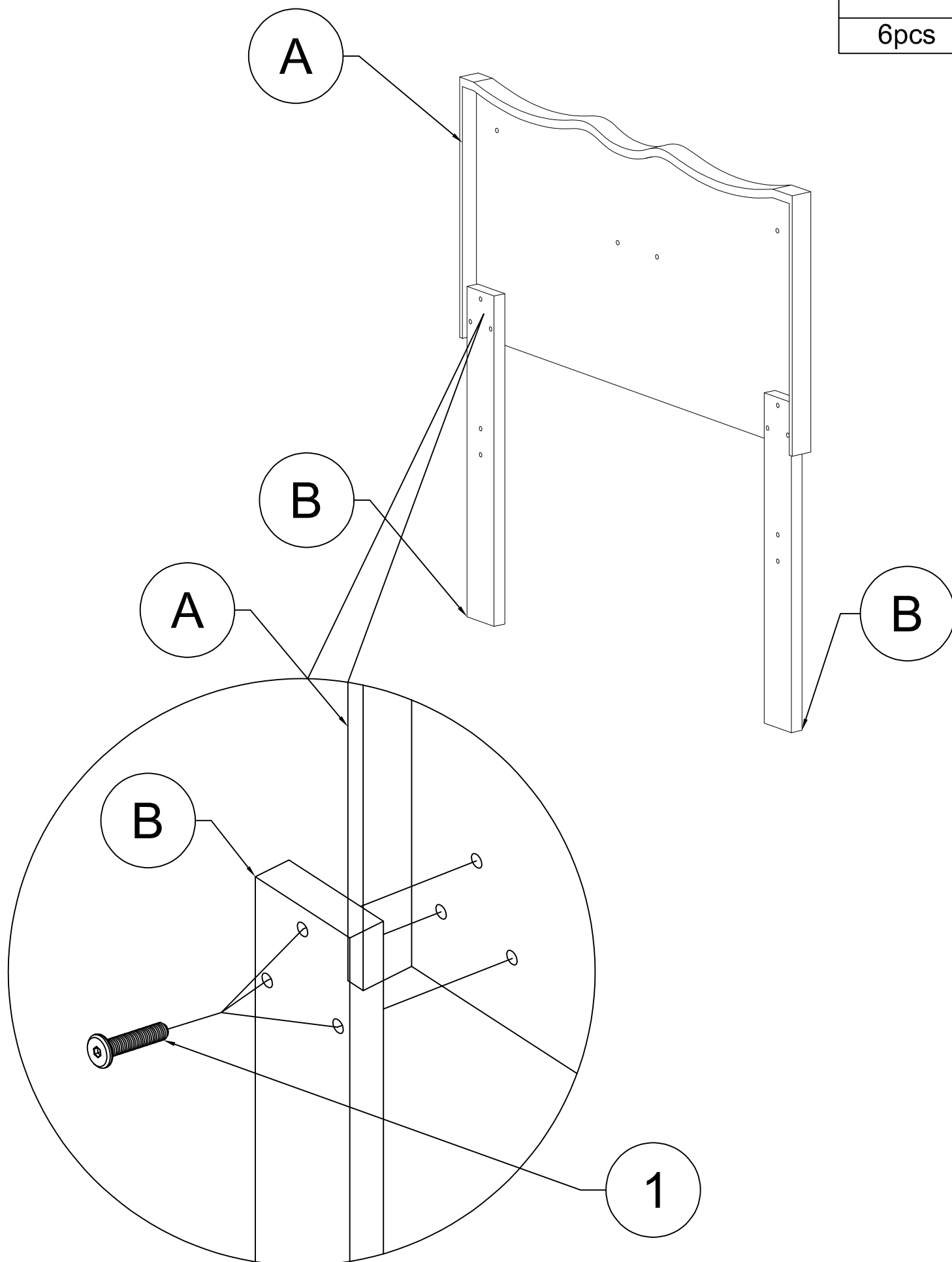
Slats-10pcs

STEP 1: Following below illustration:

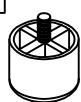
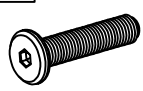
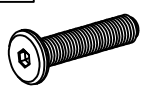
1

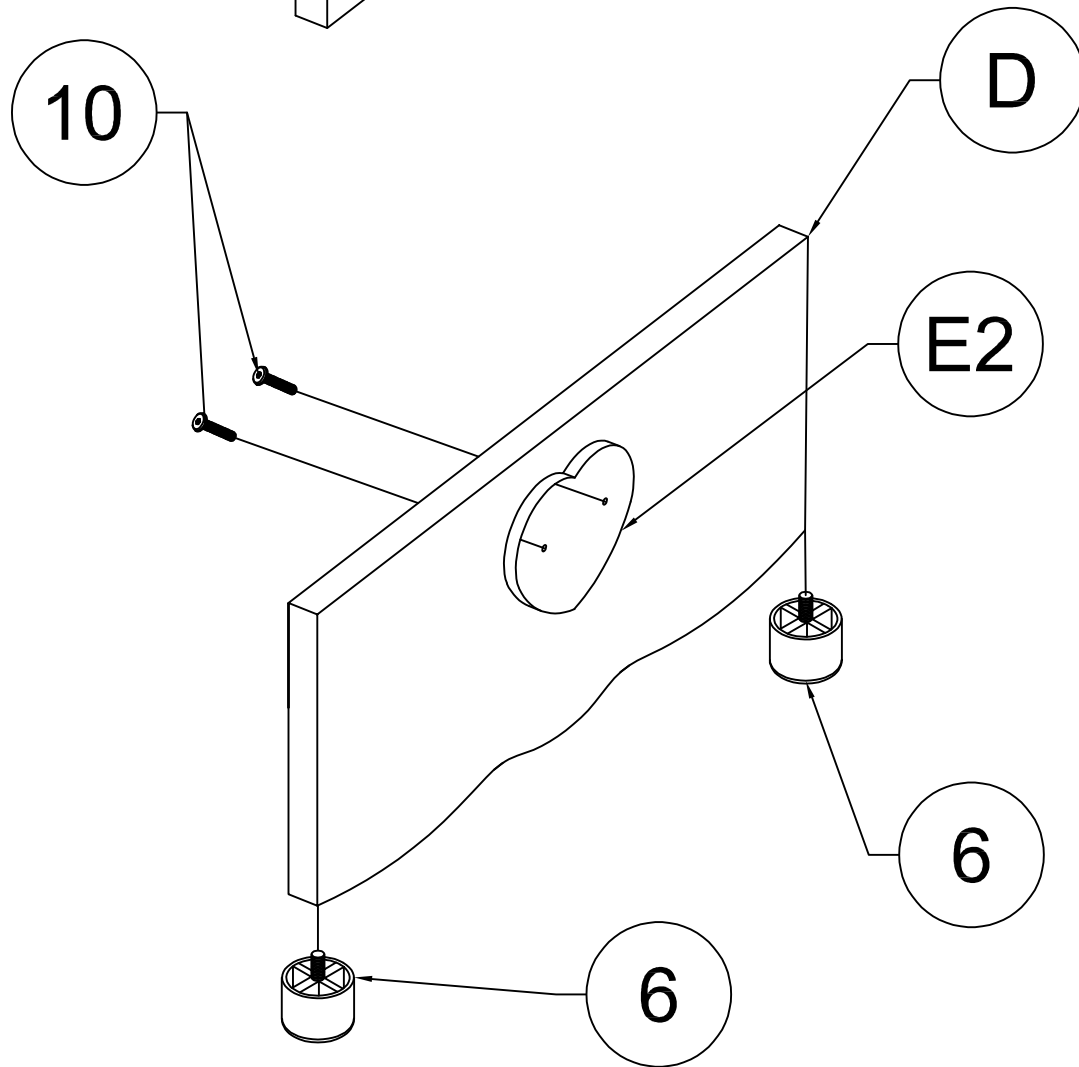
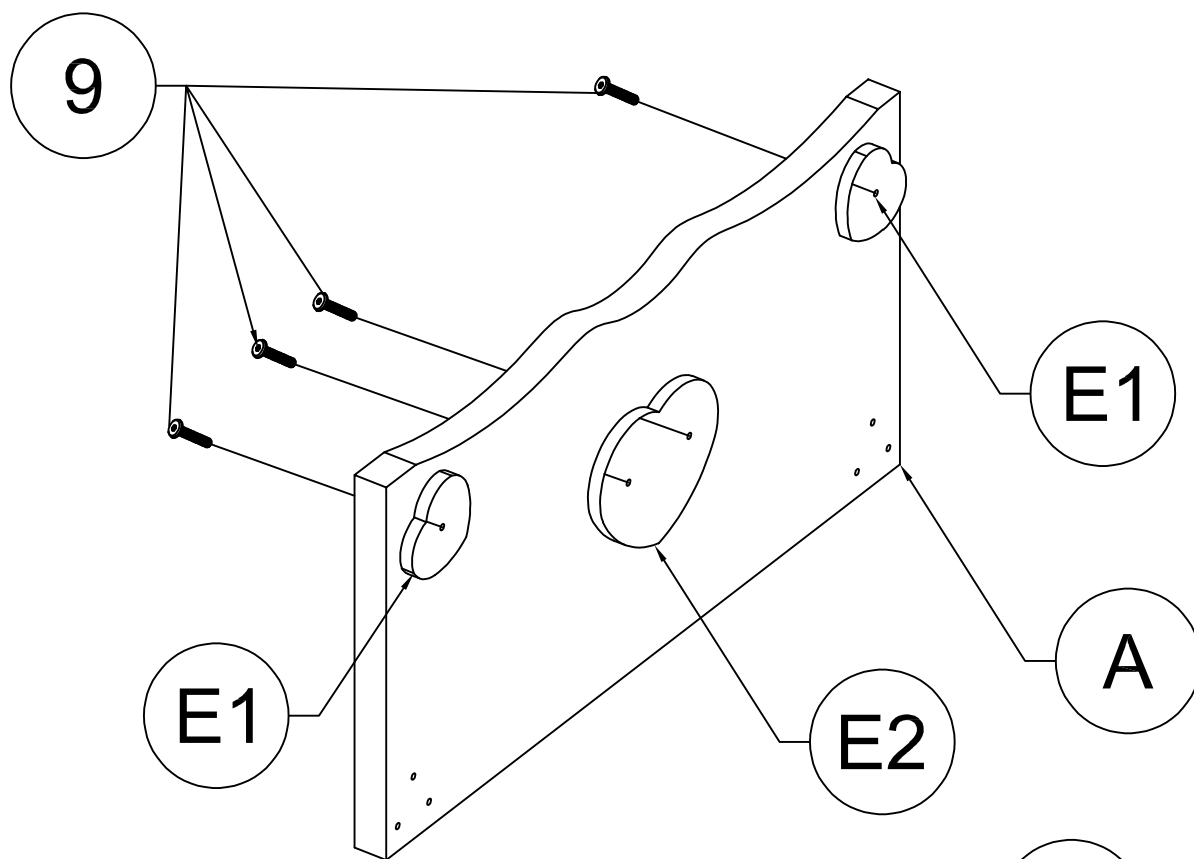


6pcs



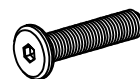
STEP 2: Following below illustration:

6	9	10
		
2pcs	4pcs	2pcs

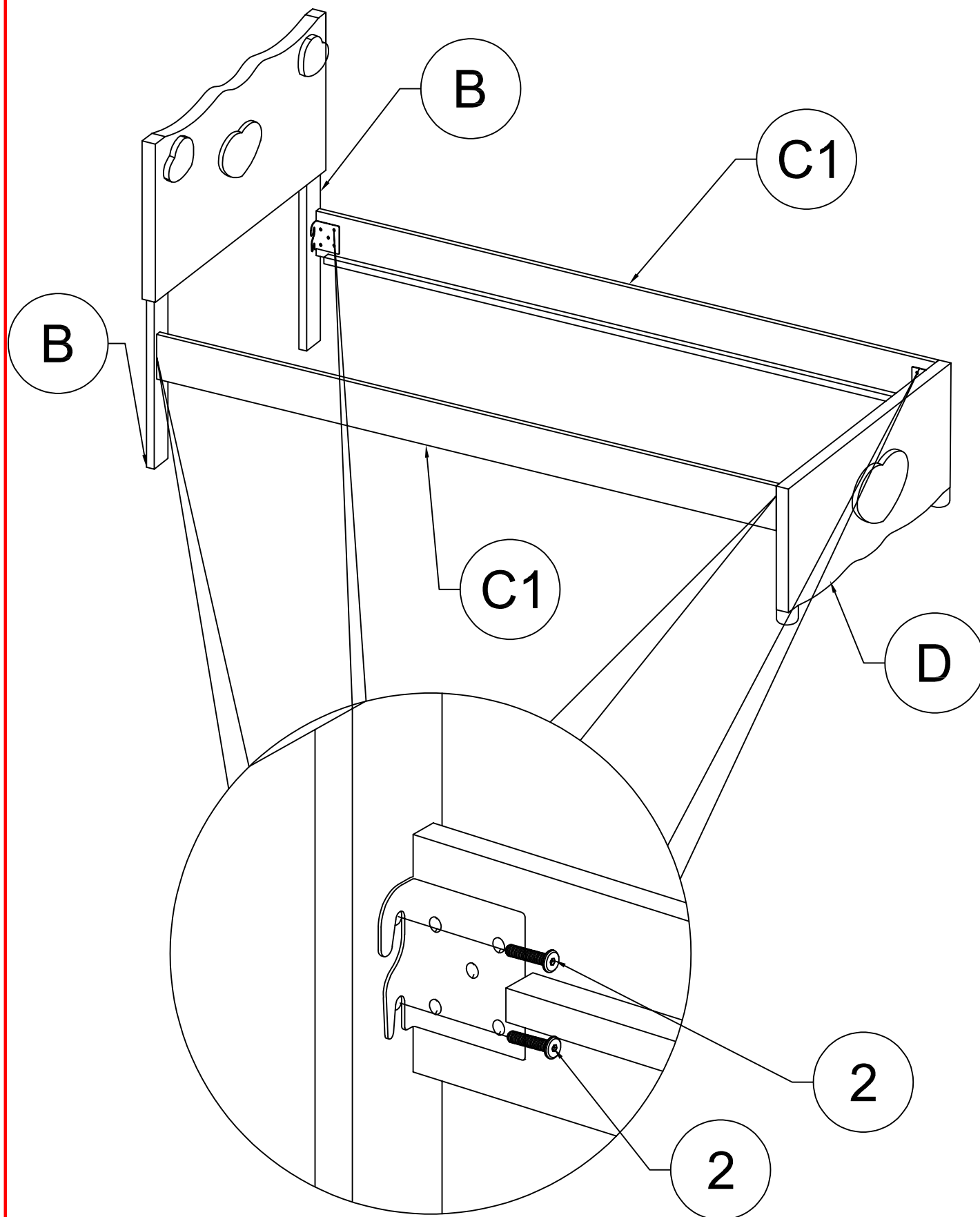


STEP 3: Following below illustration:



2

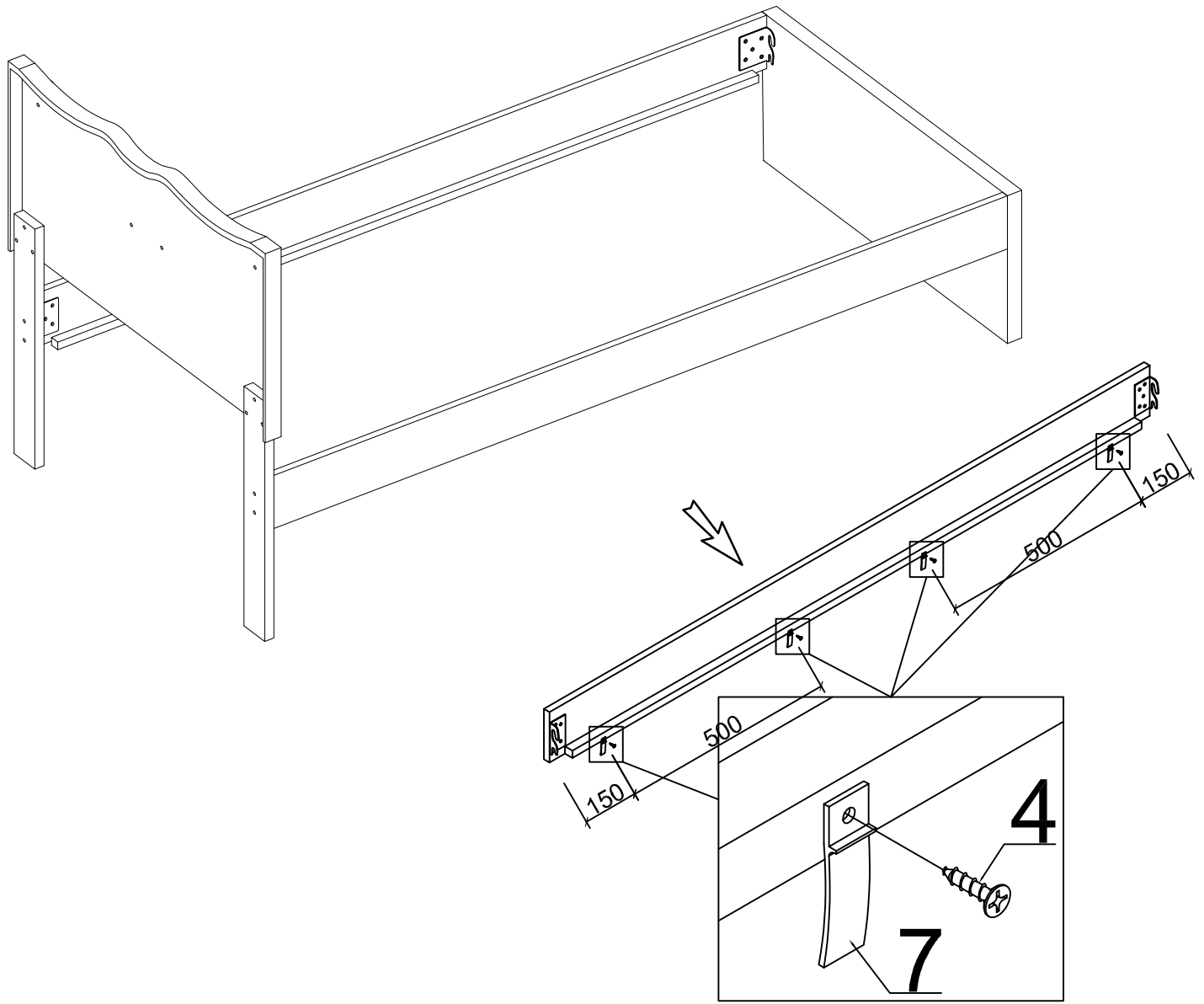


8pcs



STEP 4: Following below illustration:

4		7	
4pcs		4pcs	

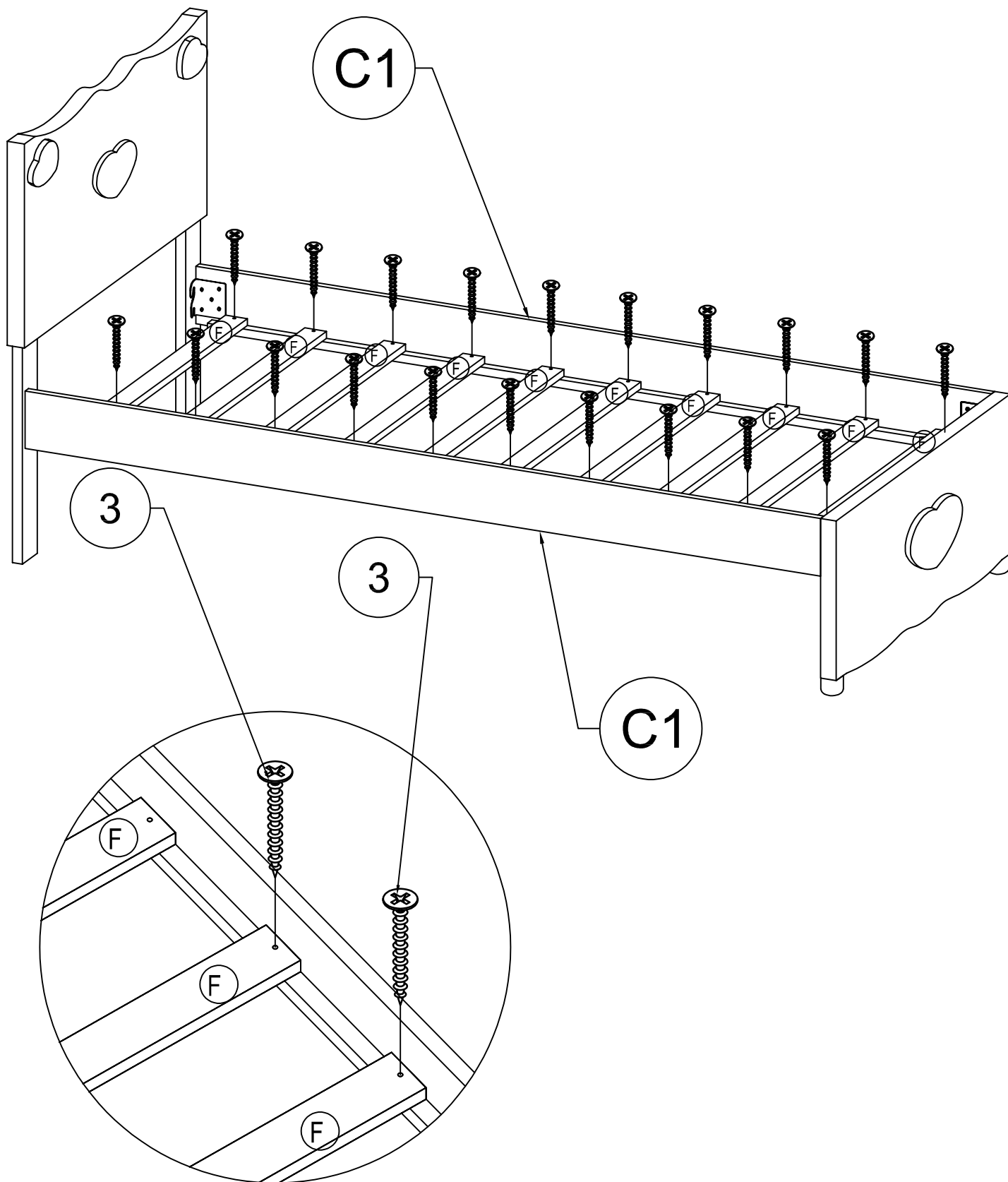


STEP 5: Following below illustration:

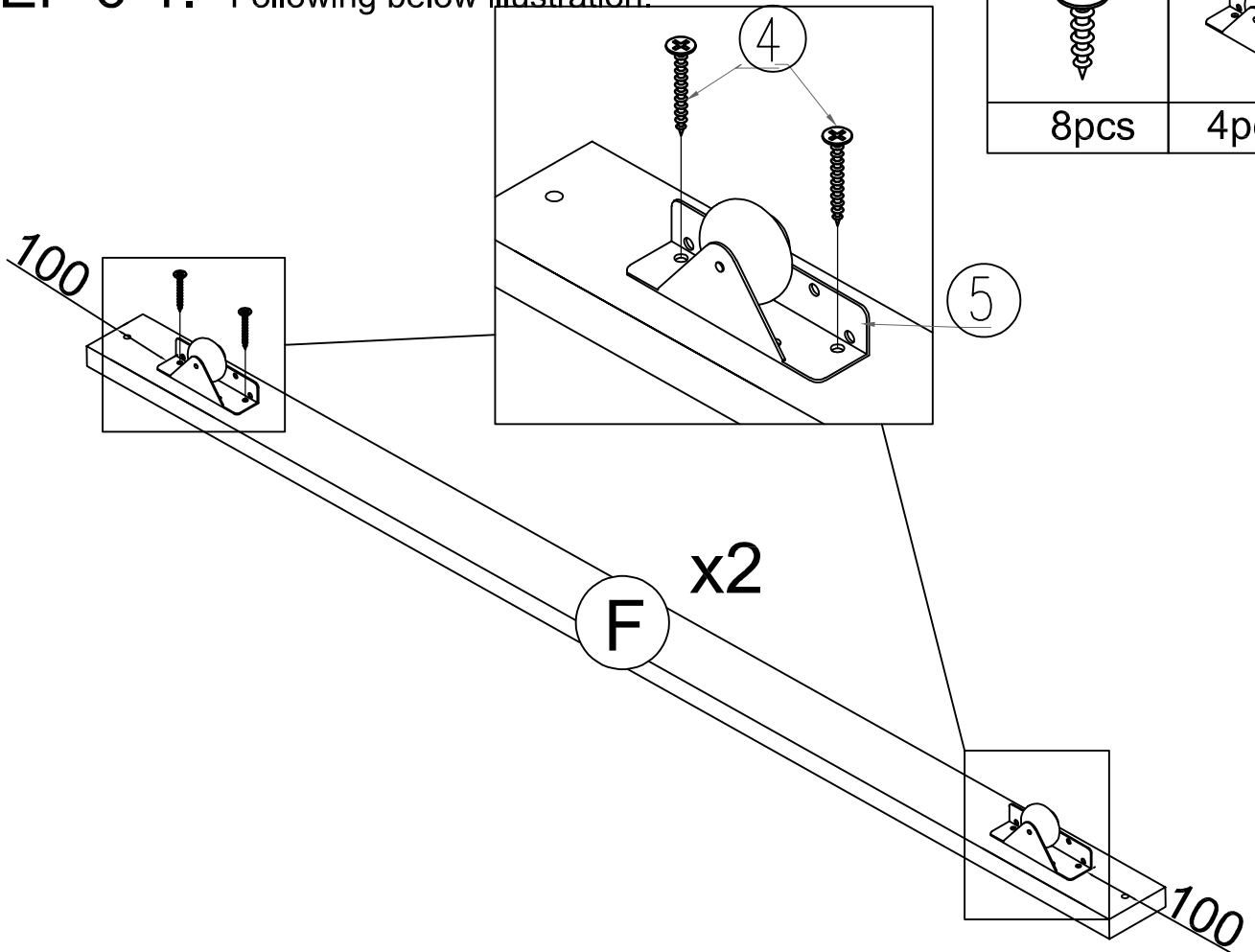
3



20pcs



STEP 6-1: Following below illustration:



STEP 6-2: Following below illustration:

