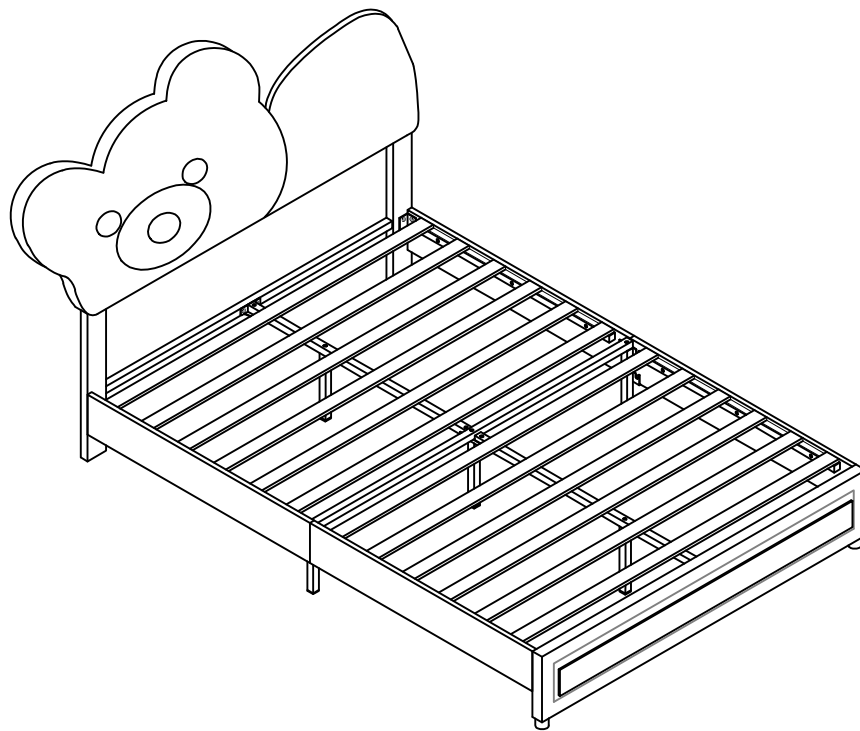
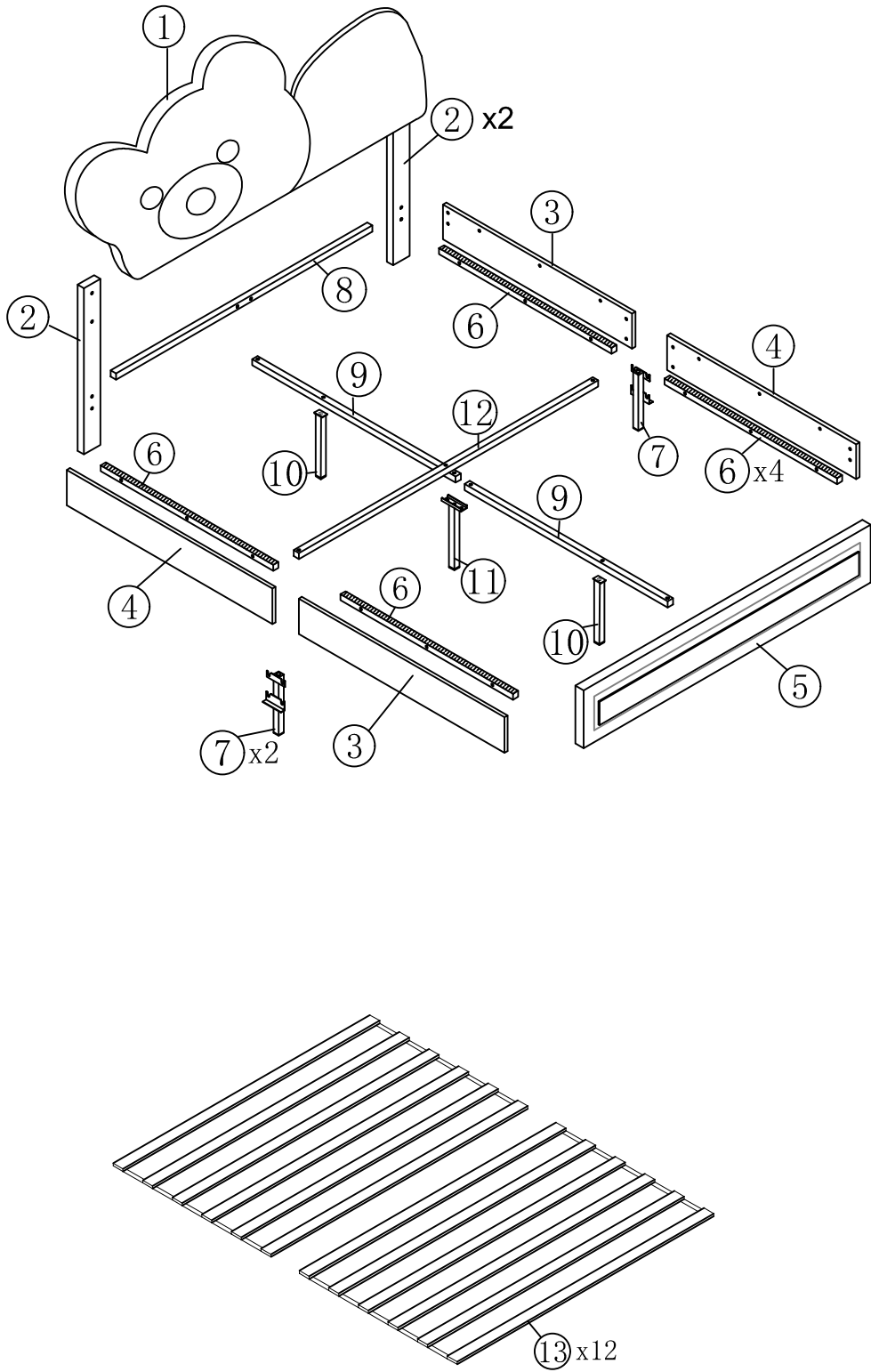


ASSEMBLY INSTRUCTION



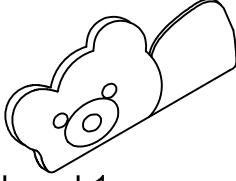

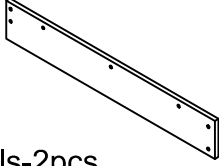
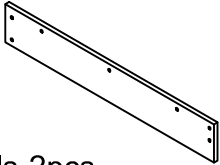
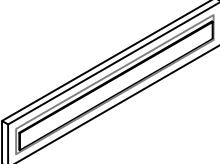
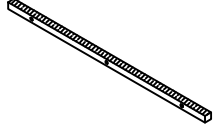

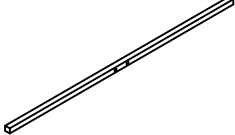
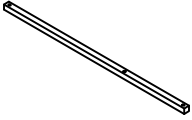

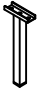
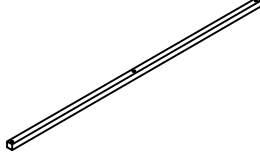
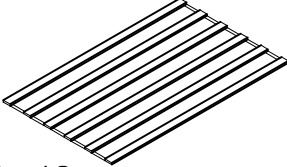
WF323768AAK

Detail View







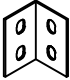
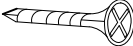





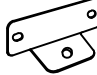
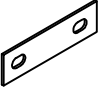
Part List

WF323768AAK

1  Head board-1pc	2  Head board legs-2pcs	3  Siderails-2pcs
4  Siderails-2pcs	5  Foot board-1pc	6  Side rails support bar-4pcs
7  Side rails support legs-2pcs	8  Head board cross bar-1pc	9  Center support bar-2pcs
10  Middle support leg-2pcs	11  Connected support leg-1pc	12  Cross bar-1pc
13  Slats-12pcs		



Hardware List

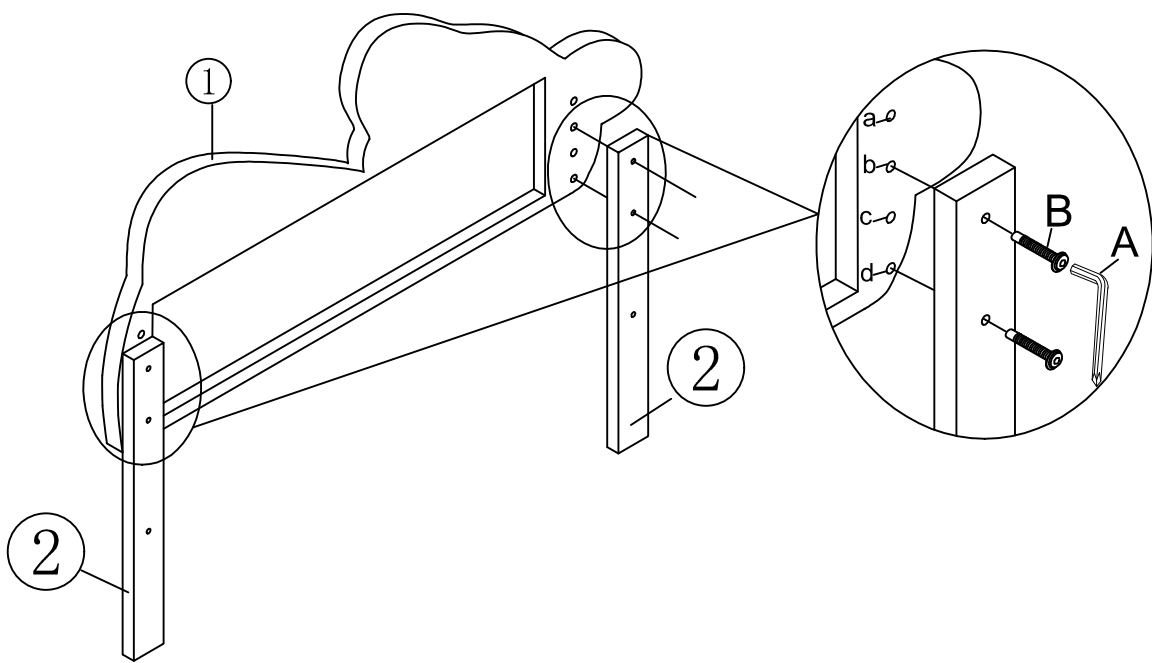
WF323768AAK

A  20*70mm	B  Ø8*50mm	C  Ø8*16mm
Allen Key(2pcs)	Bolts(4pcs)	Bolts(32pcs)
D  Ø8*40mm	E  77*33**33*3mm	F  Ø3*16mm
Bolts(21pcs)	"7" Connector(4pcs)	Nails(10pcs)
G  H:40mm	H 	I 
Bed legs(2pcs)	Buckle(5pcs)	Power adapter(1pc)
J 	K 	L  28*32*86*2mm
LED Connecting line(1pc)	Color controller(1pc)	Center support bar fittings(2pcs)
M  Two hole iron(2PCS)		




Remark: We recommend you assemble your bed in the flat ground.

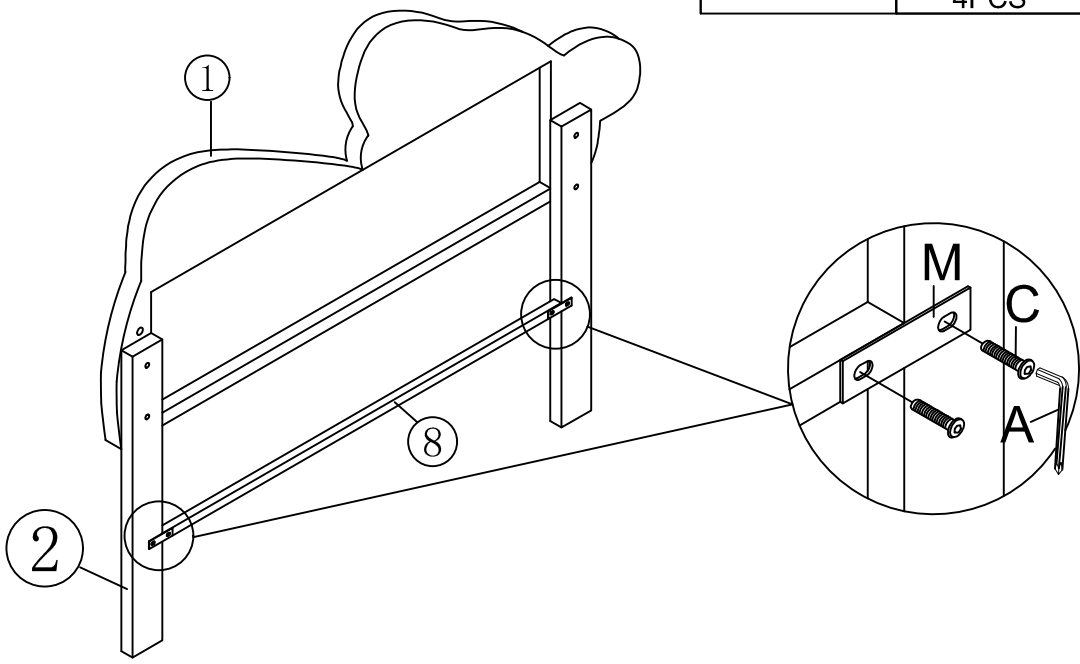
Step 1

A	B
	 M8X50mm
	4PCS





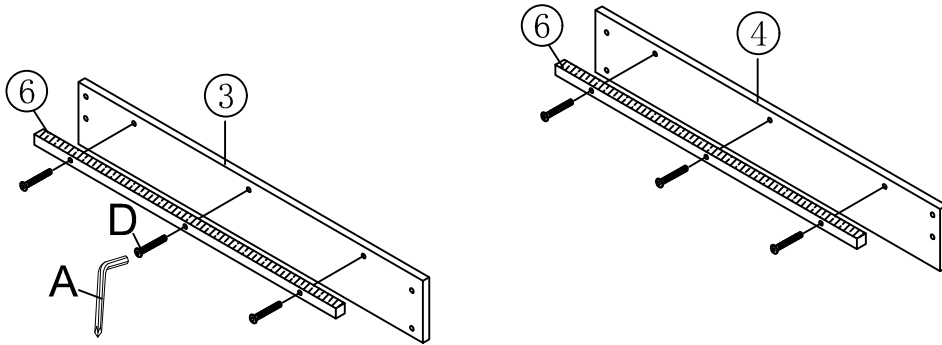
Step 2

A	C	M
	 M8X18mm	
	4PCS	2PCS





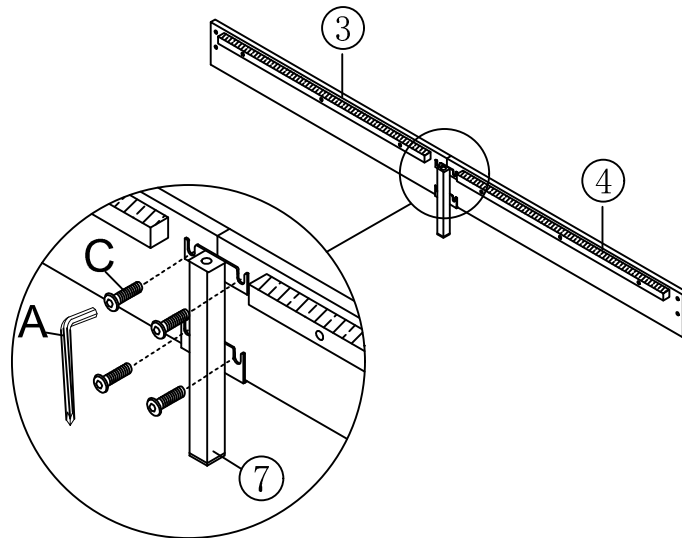
Step 3 x2

A	D
	 M8X40mm
	12PCS



Step 4 x2

A	C
	 M8X16mm
	8PCS

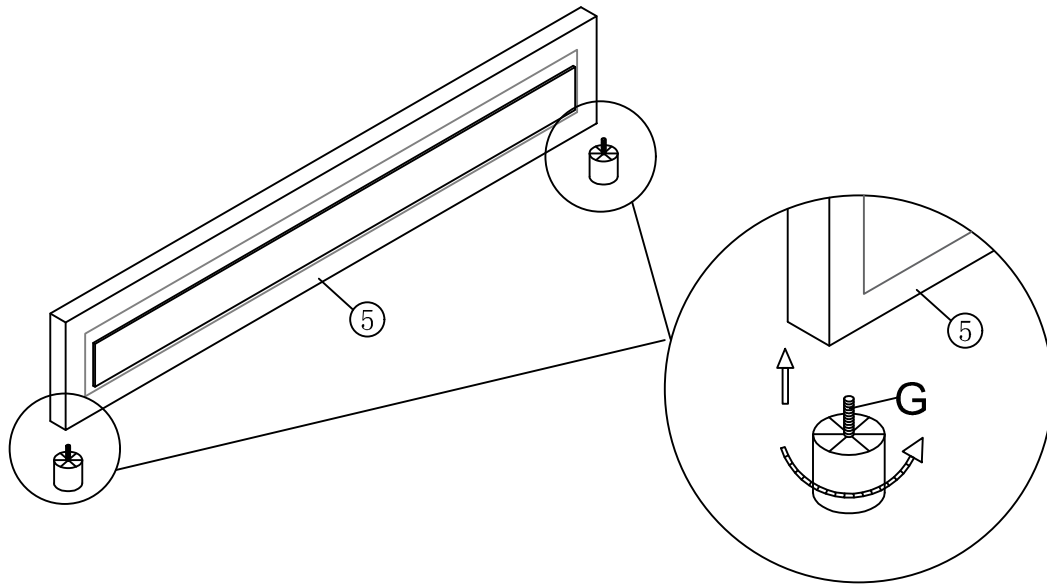


Step 5

G



2PCS



Step 6

A



C



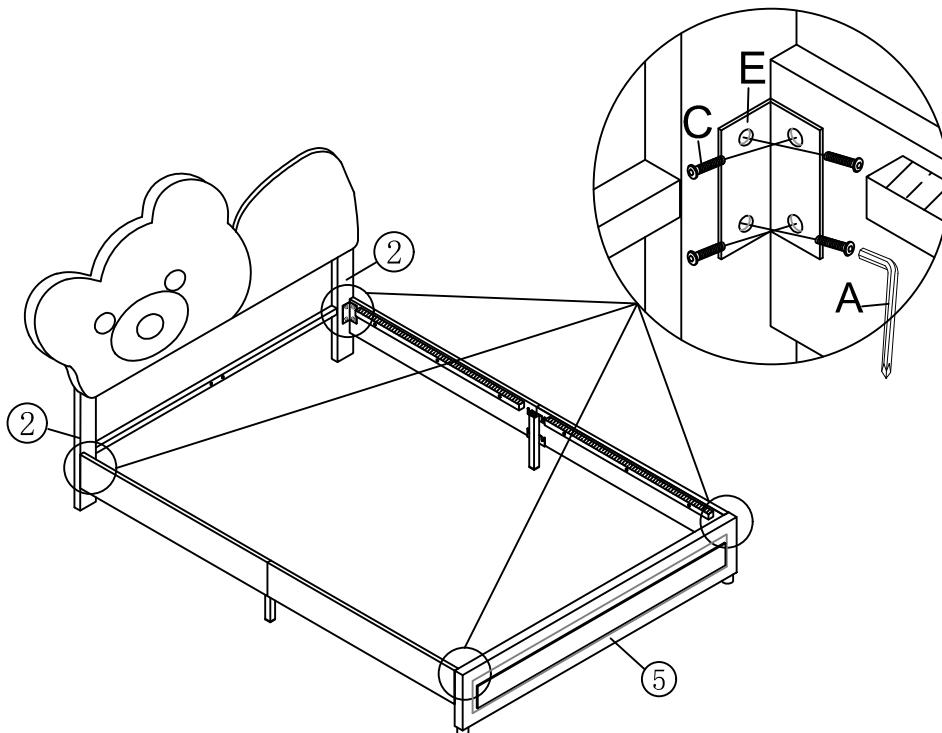
M8X16mm

16PCS


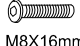

E

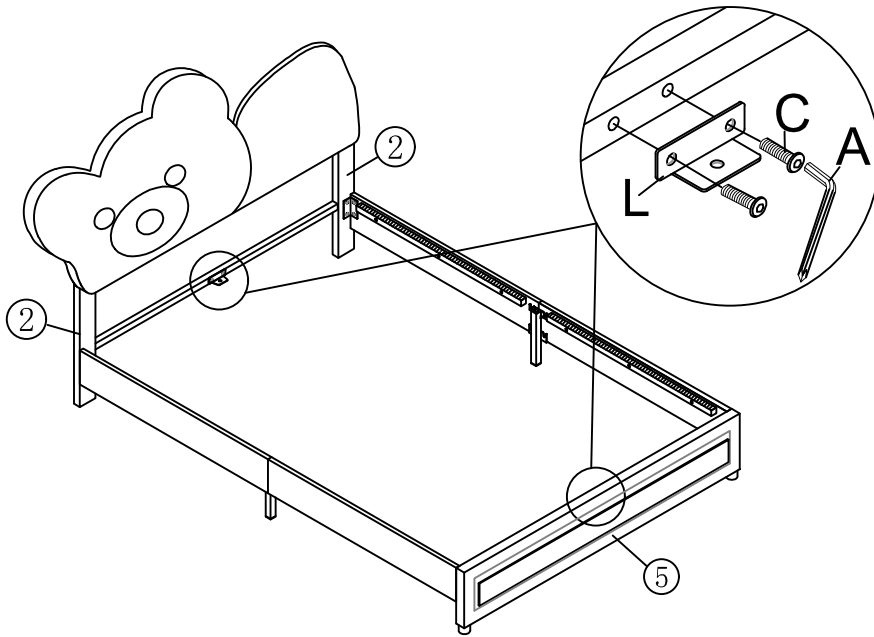


4PCS


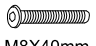


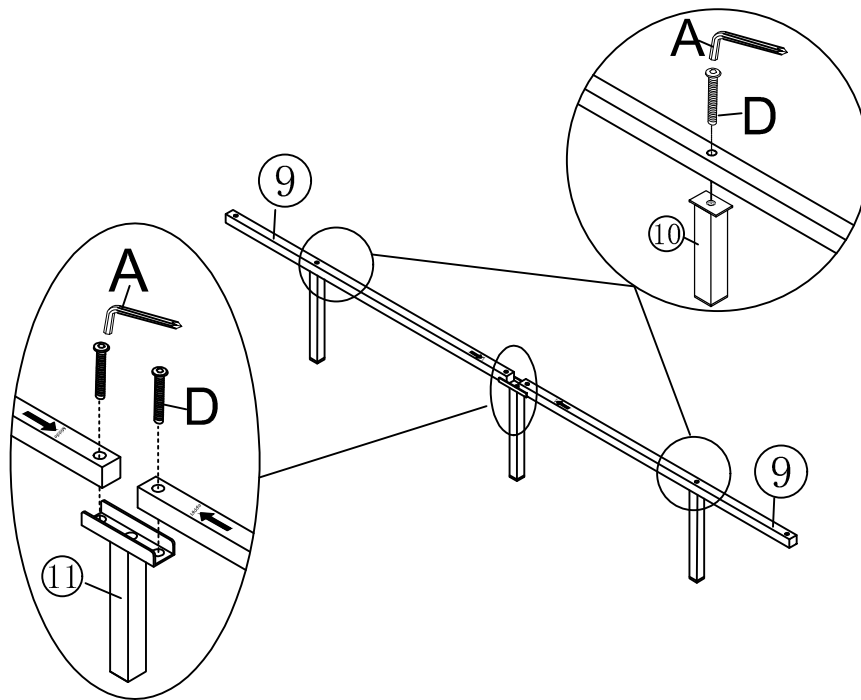
Step 7

A	C	L
	 M8X16mm	
4PCS		2PCS





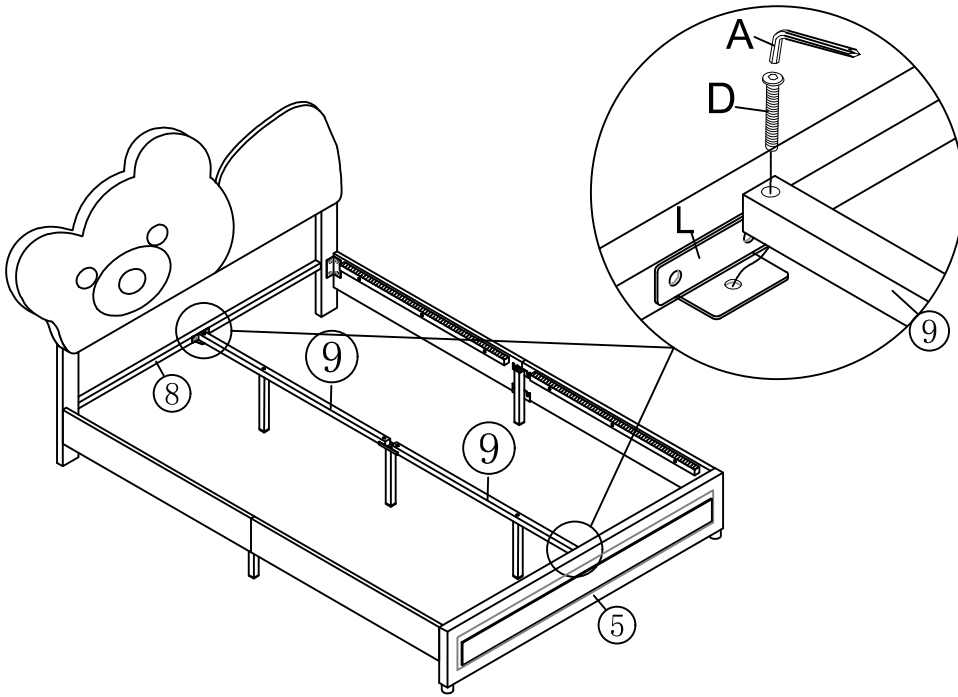
Step 8

A	D
	 M8X40mm
	4PCS





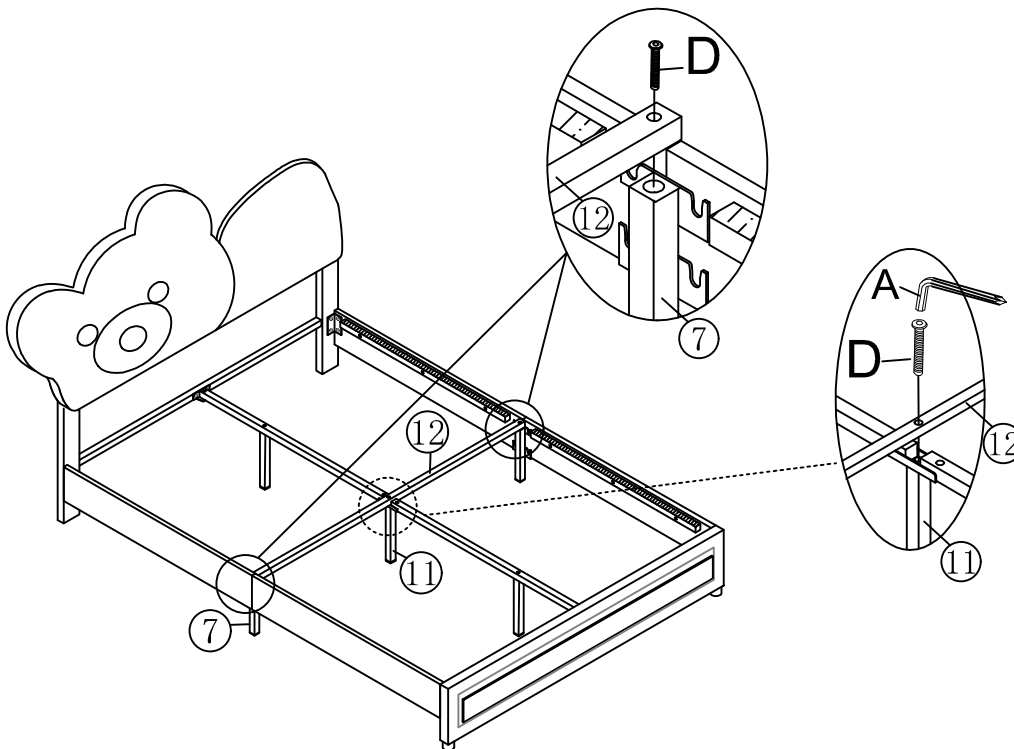
Step 9

A	D
	 M8X40mm
	2PCS






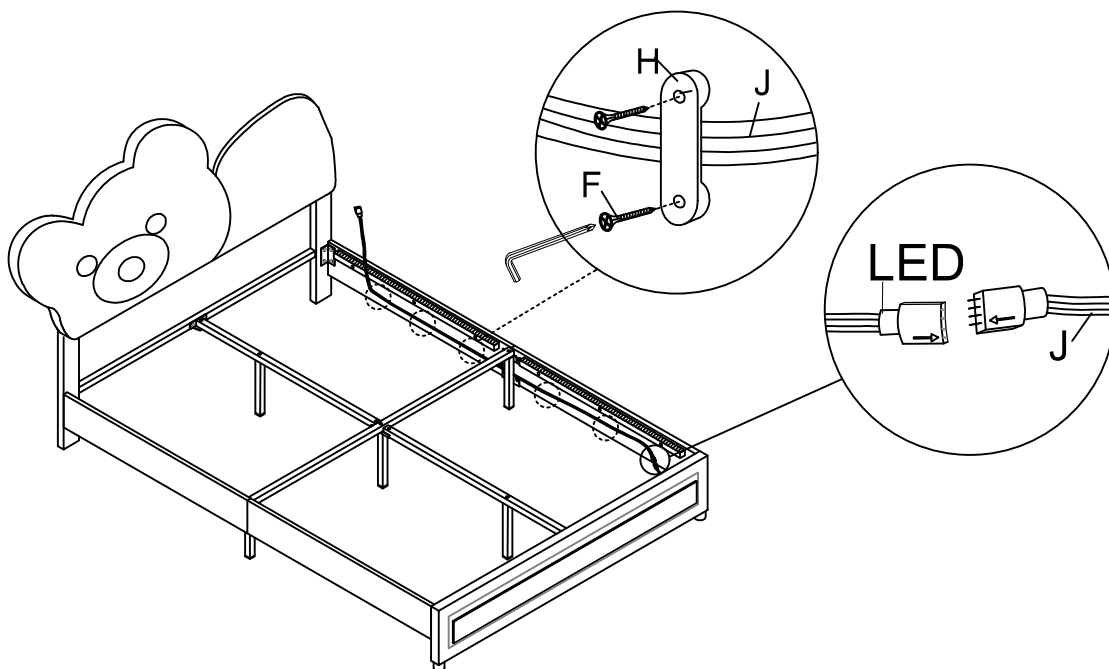
Step 10

A	D
	 M8X40mm
	3PCS

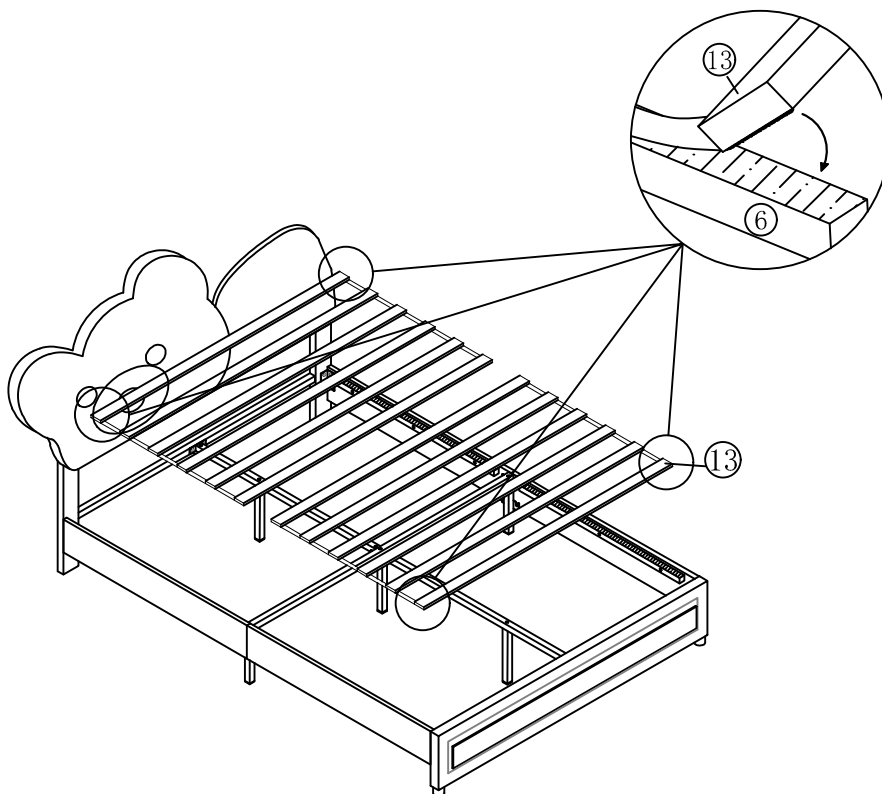


Step 11



A 	F M3X16mm 10PCS	H  5PCS	J  1PC
----------------------------------------------------------------------------------------	-----------------------	--------------------------------------------------------------------------------------------------	-------------------------------------------------------------------------------------------------

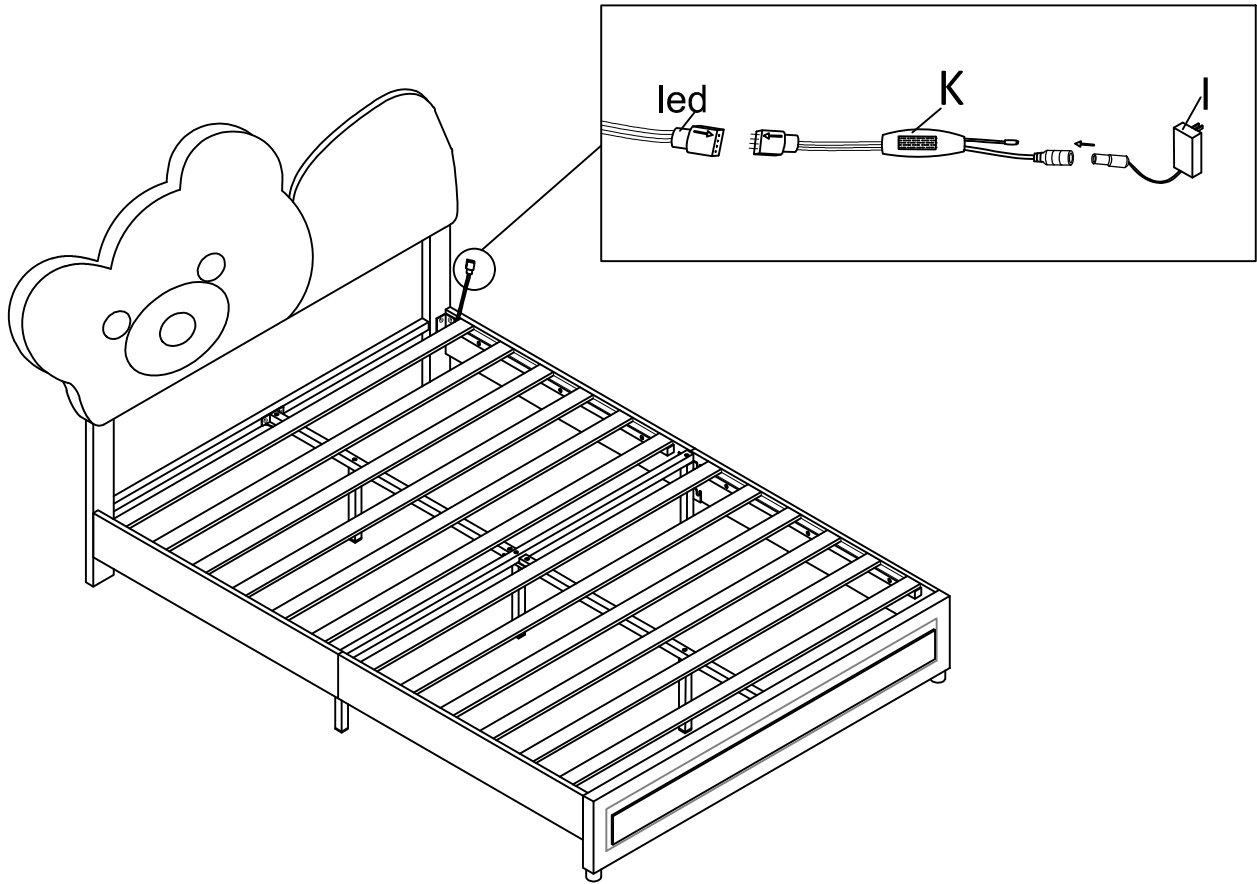


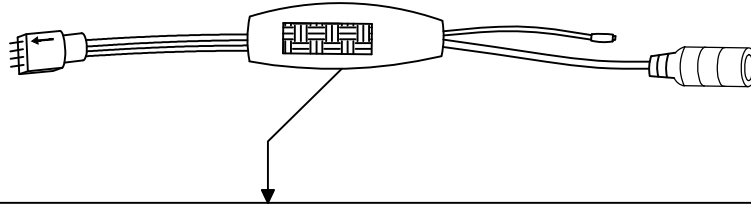
Step 12



Step 13

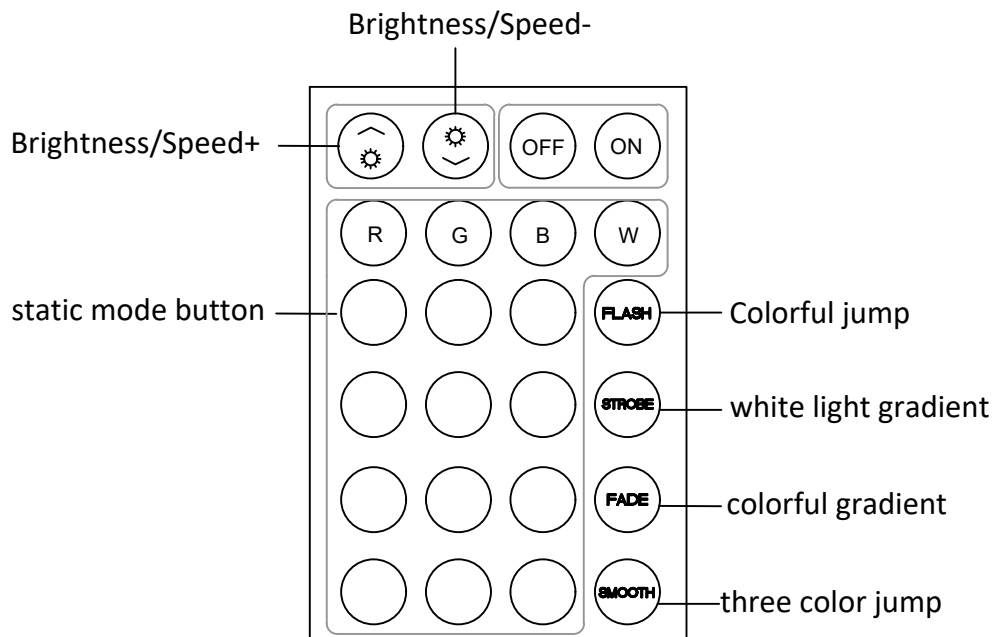
I	K
	
1PC	1PC





NOTICE:

You can scan the QR code here and download an app that can control the color of the light strip like a remote control. When your phone plays music through the app, the color of the light strip will also change according to the strength of the music.



NOTICE:

When you use the remote control board to control the color of the light, Please remove the clear plastic card first, then please be sure to point the remote control at the color controller K.