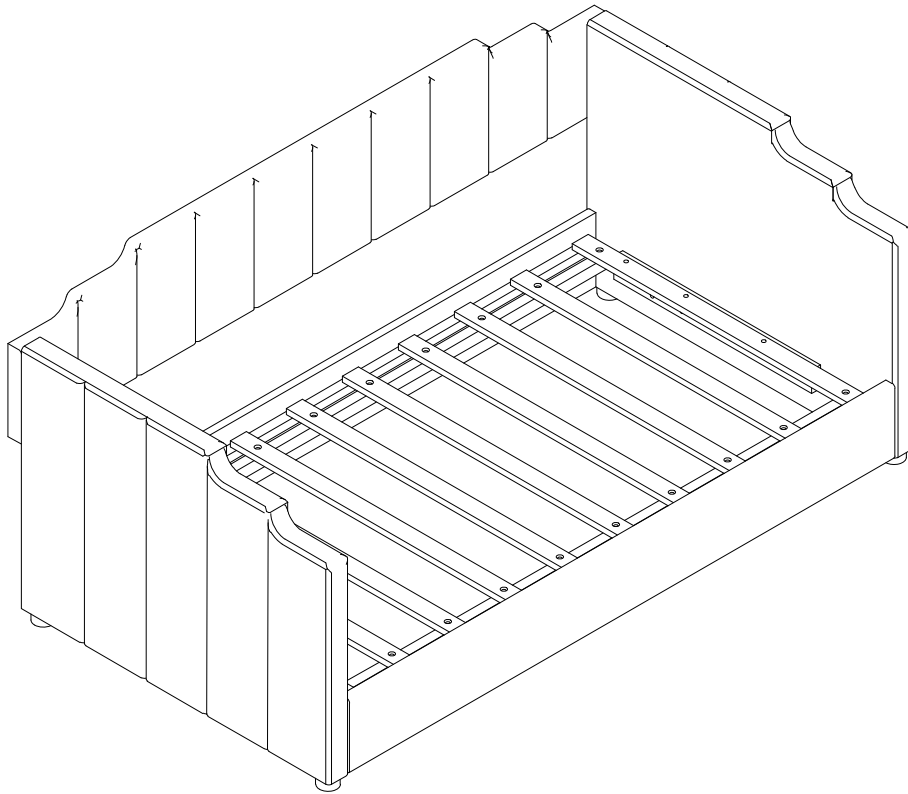
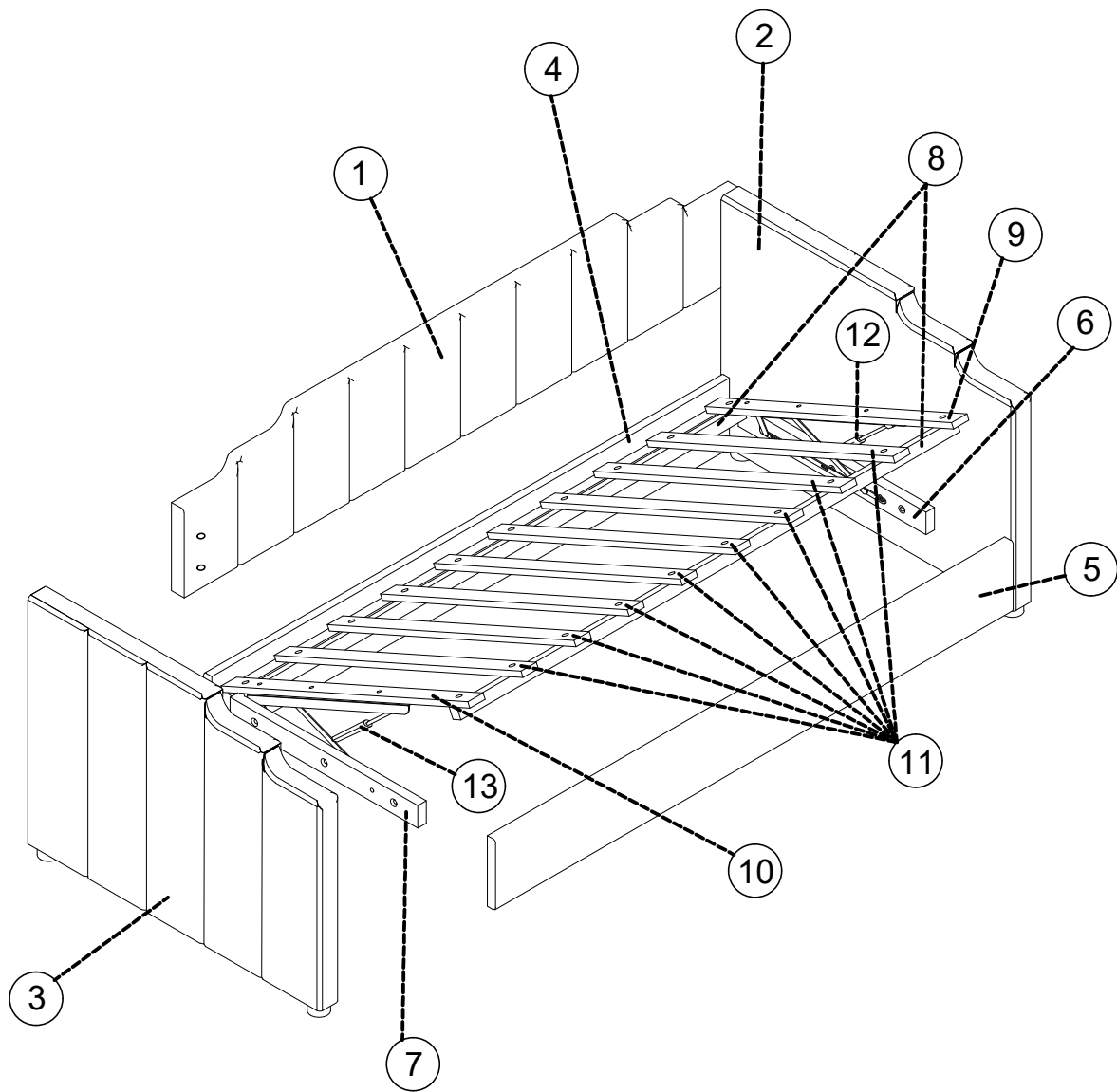


ASSEMBLY INSTRUCTION

SKU CODE: (WF326238/WF326239)

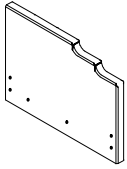
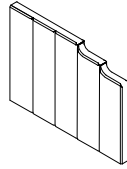

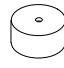
This set included 2 boxex if do not receive full 2 boxex. Please contact our customer service team



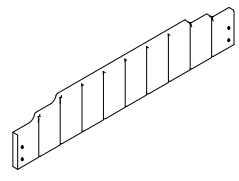
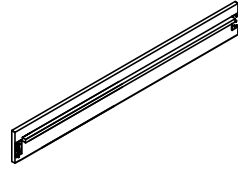
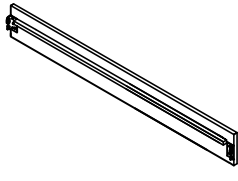
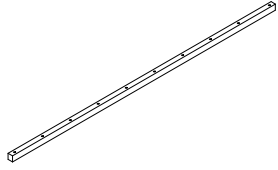


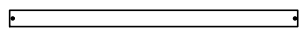
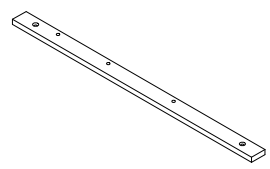
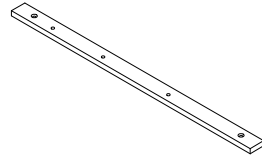
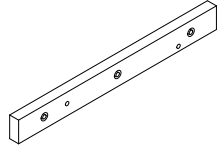
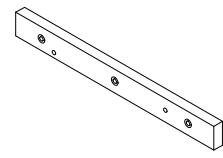


Part List

BOX 1/2: **WF326239**

<p>2</p>  <p>Side board Right -1pc</p>	<p>3</p>  <p>Side board Left -1pc</p>	<p>Hardware</p> 
<p>L</p>  <p>Legs Ø60x50x30mm- 4pcs</p>		











BOX 2/2: **WF326238**

<p>1</p>  <p>Head board -1pc</p>	<p>4</p>  <p>Back Rails -1pc</p>	<p>5</p>  <p>Front Rails -1pc</p>
<p>8</p>  <p>Bed support Slates -2pcs</p>	<p>13</p>  <p>Lift truck Left -1pc</p>	<p>12</p>  <p>Lift truck Right -1pc</p>
<p>11</p>  <p>Slates-8pcs</p>	<p>9</p>  <p>Slates Right-1pc</p>	<p>10</p>  <p>Slates Left-1pc</p>
<p>7</p>  <p>Bed side brace Left -1pc</p>	<p>6</p>  <p>Bed side brace Right-1pc</p>	




HARDWARE

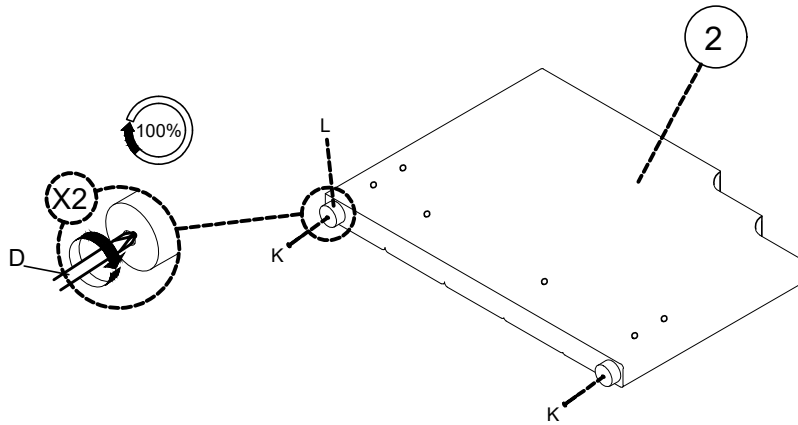
Check that you've received
all hardware listed below.

Hardware List



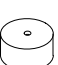
No.	OUTLOOK	DESC	QTY
(A)		Bolts 5/16"x30 mm	8
(B)		Plain washer Ø5/16"x19x1.5 mm	18
(C)		Spring washer Ø5/16"x12 mm	18
(D)		Allen key 80x30x4 mm	1
(E)		Bolts 5/16"x45 mm	10
(F)		Bolts 1/4"x30 mm	20
(G)		Bolts 1/4"x20 mm	10
(H)		Plain washer Ø1/4"x19x1.5 mm	30
(I)		Spring washer Ø1/4"x10 mm	30
(K)		Screws Ø4x30 mm	4

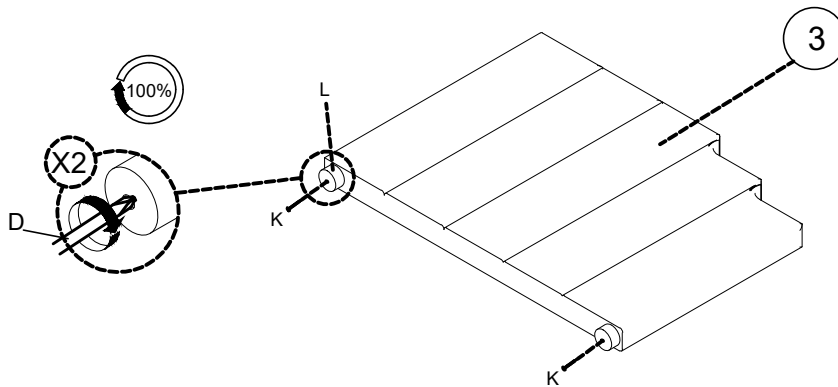
STEP 1

K x 2	D x 1	L x 2
		







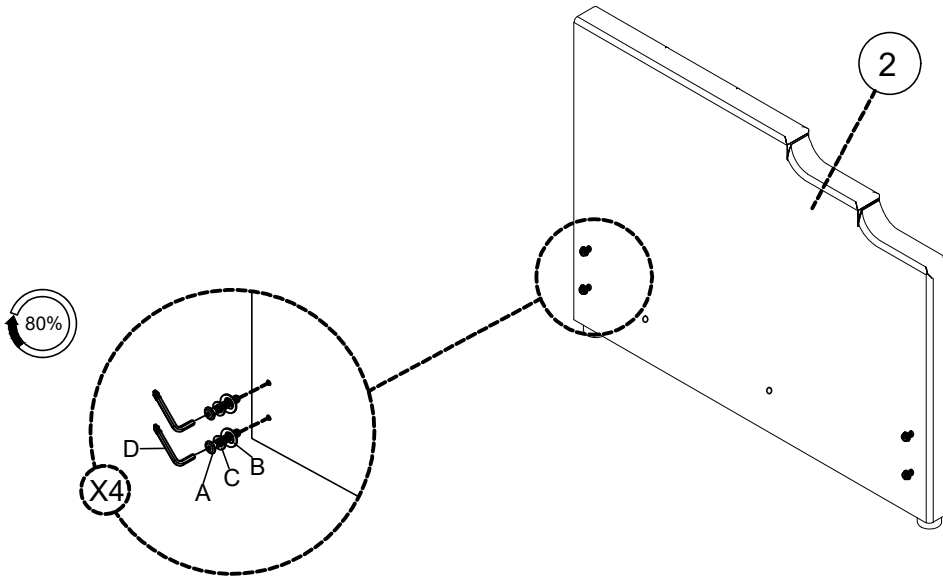
STEP 2

K x 2	D x 1	L x 2
		







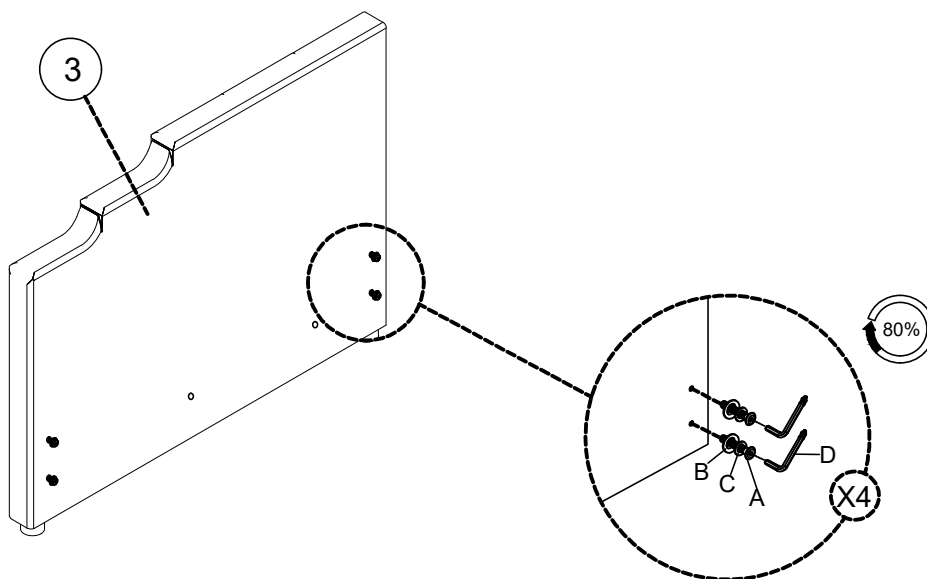
STEP 3

A x 4	B x 4	C x 4	D x 1
			

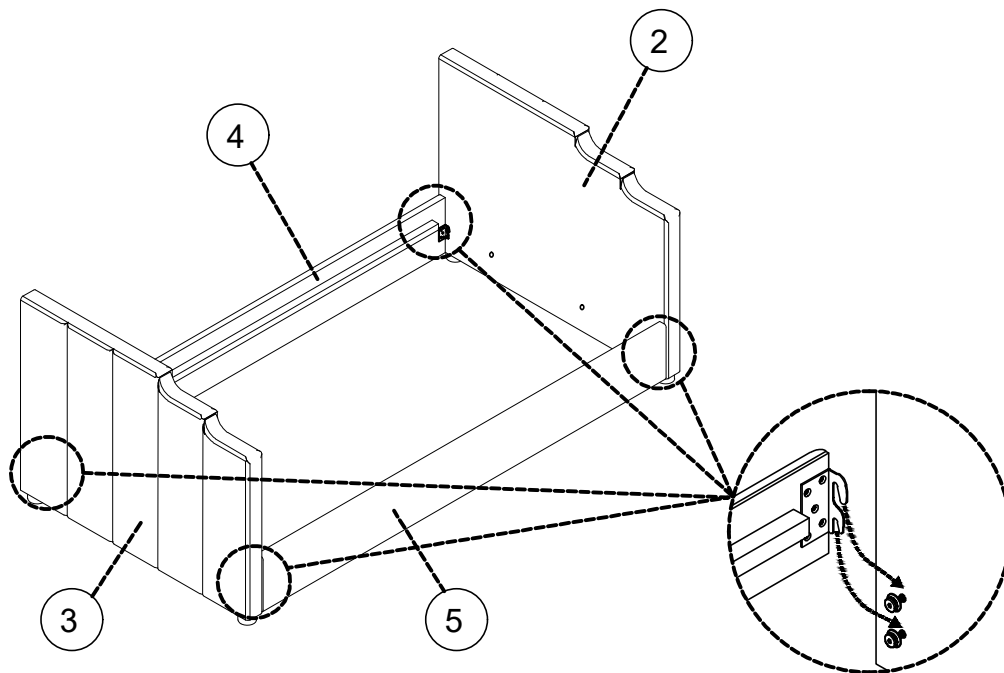


STEP 4

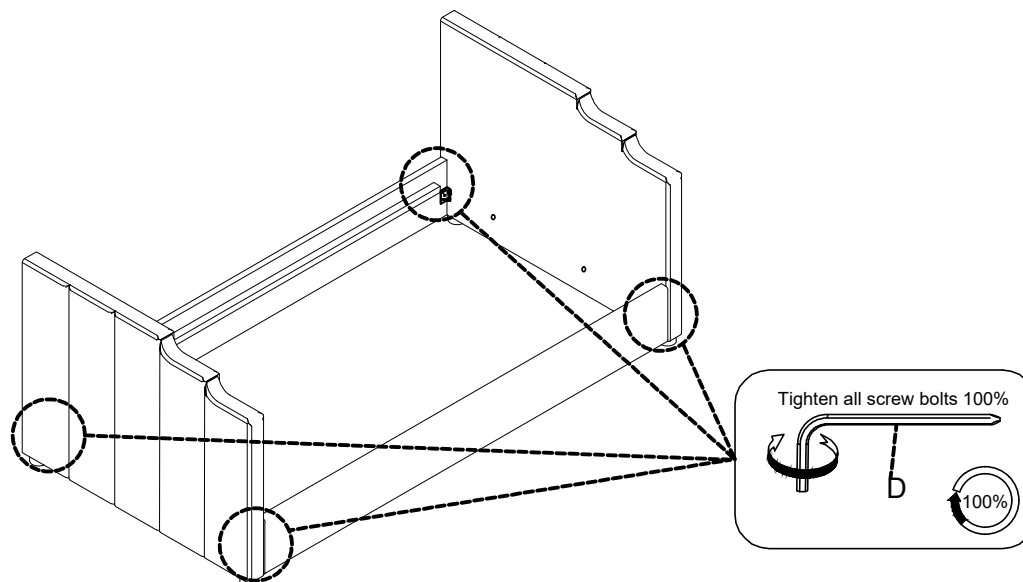
A x 4	B x 4	C x 4	D x 1
			







STEP 5

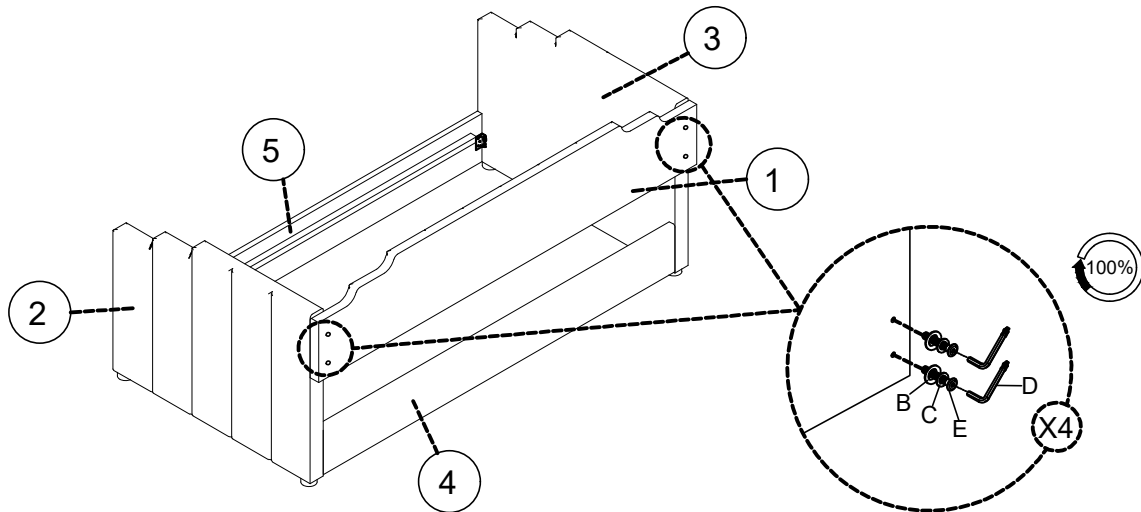


STEP 6







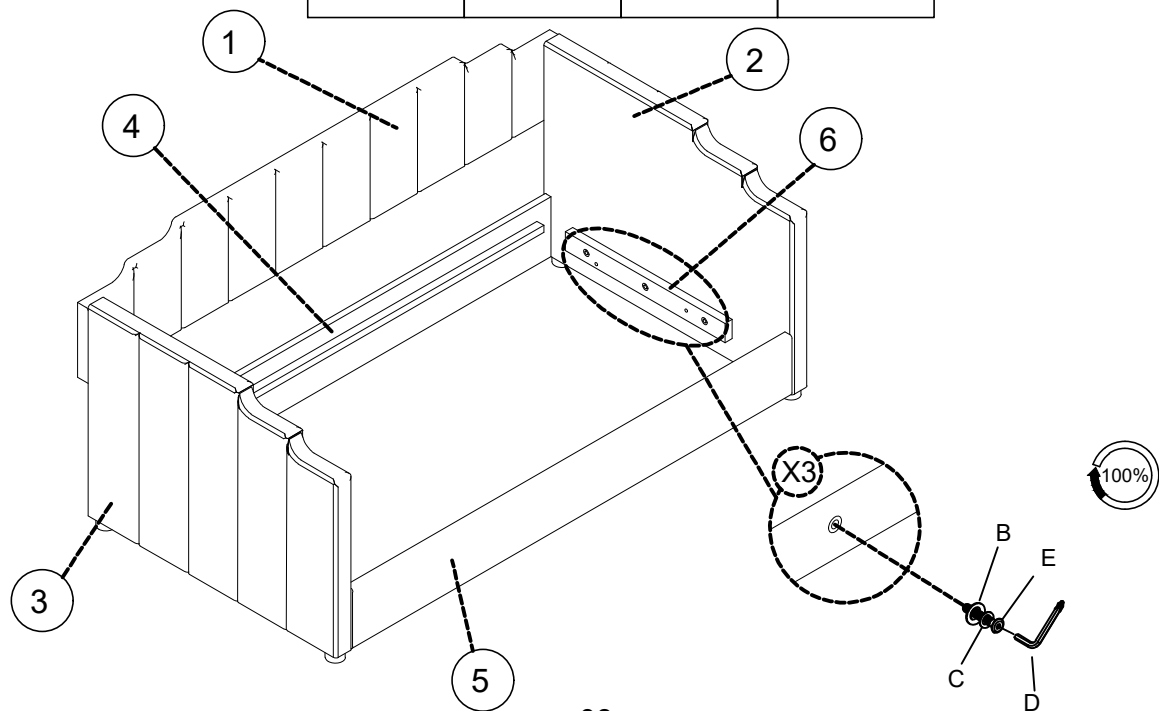
STEP 7

E x 4	B x 4	C x 4	D x 1
			







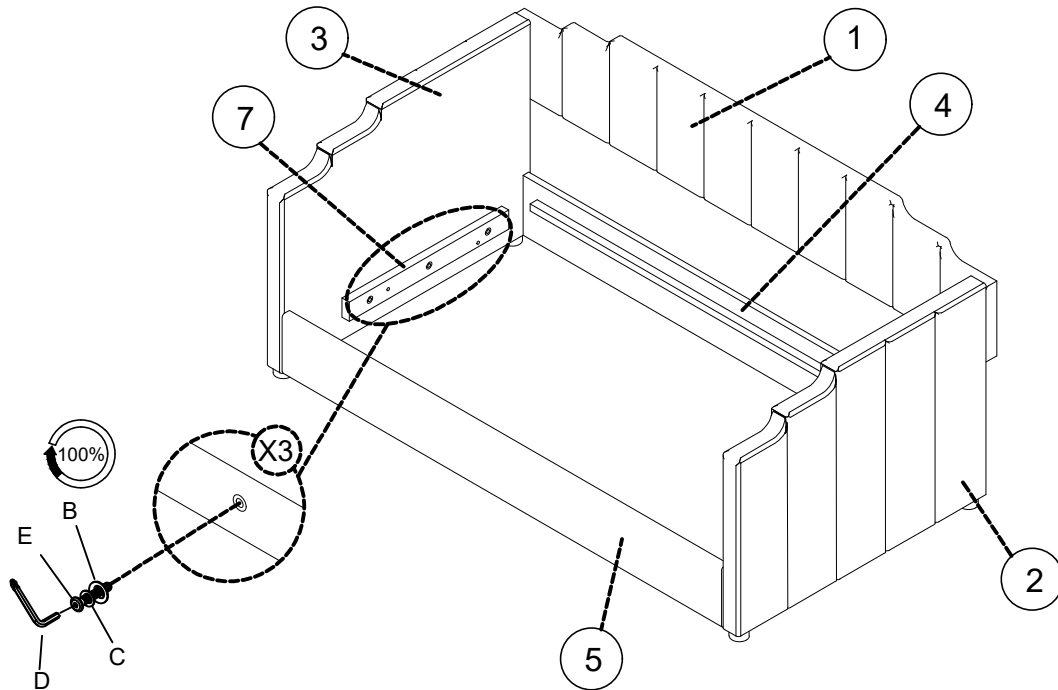
STEP 8

E x 3	B x 3	C x 3	D x 1
			







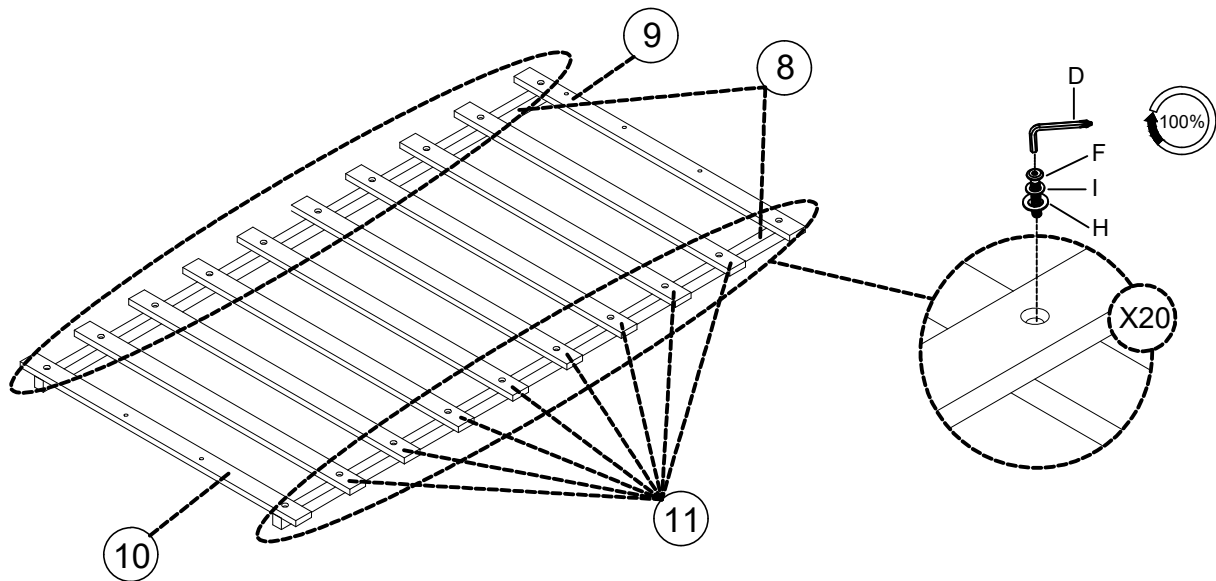
STEP 9

E x 3	B x 3	C x 3	D x 1
			







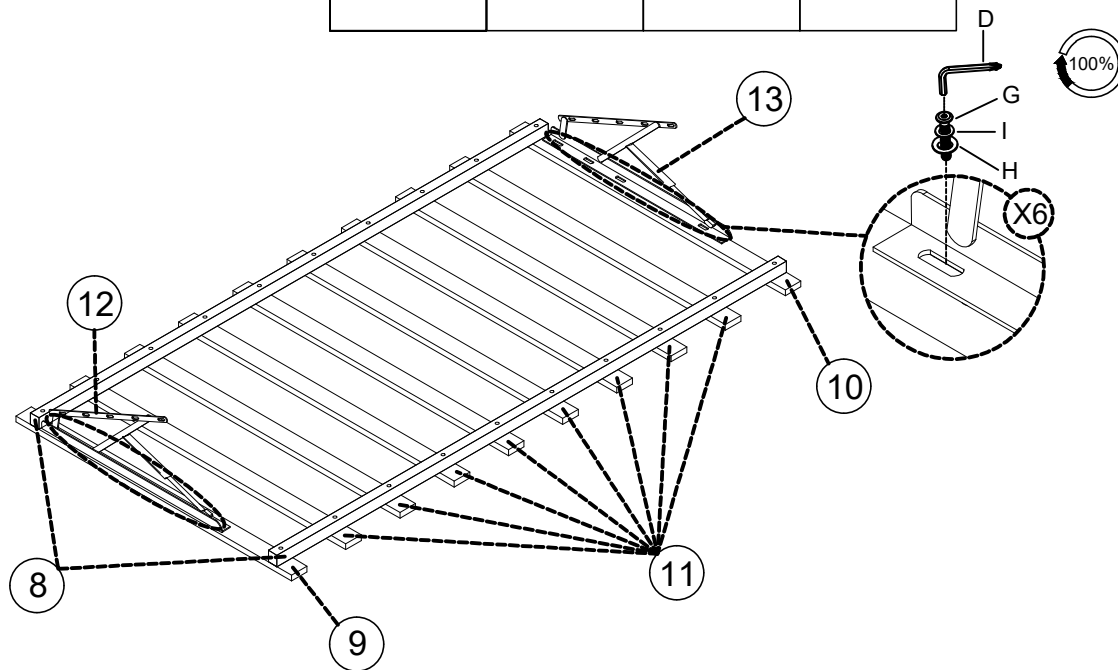
STEP 10

F x 20	H x 20	I x 20	D x 1
			







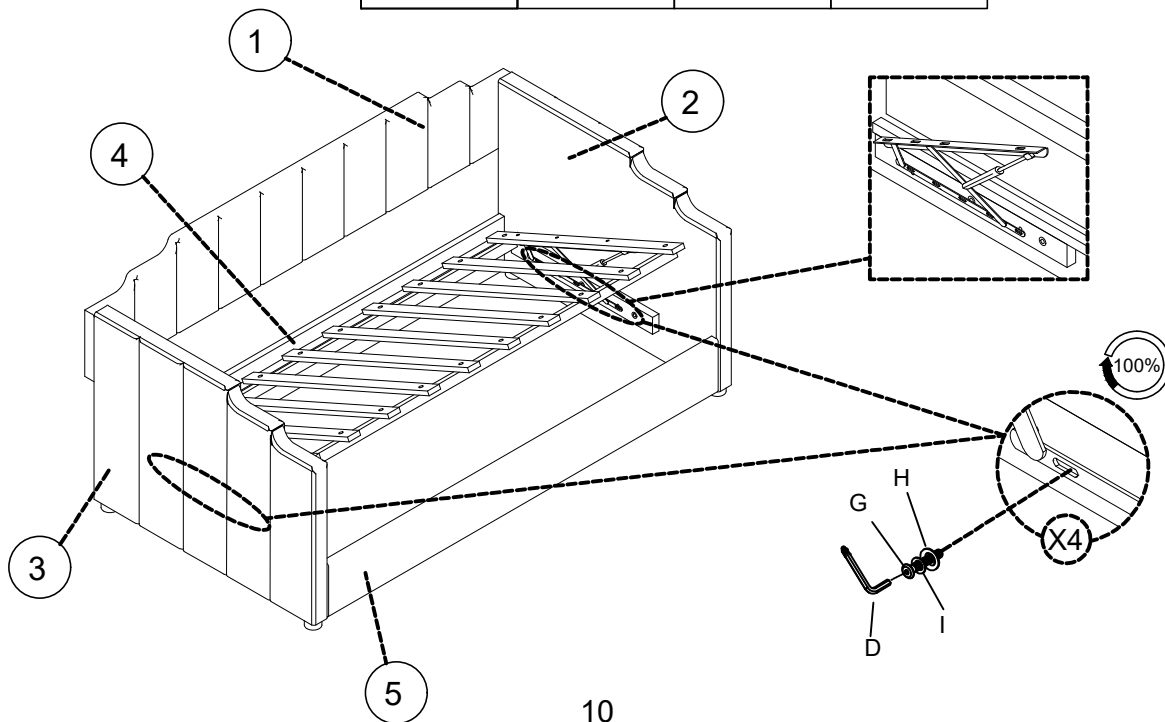
STEP 11

G x 6	H x 6	I x 6	D x 1
			



STEP 12

G x 4	H x 4	I x 4	D x 1
			



COMPLETE

