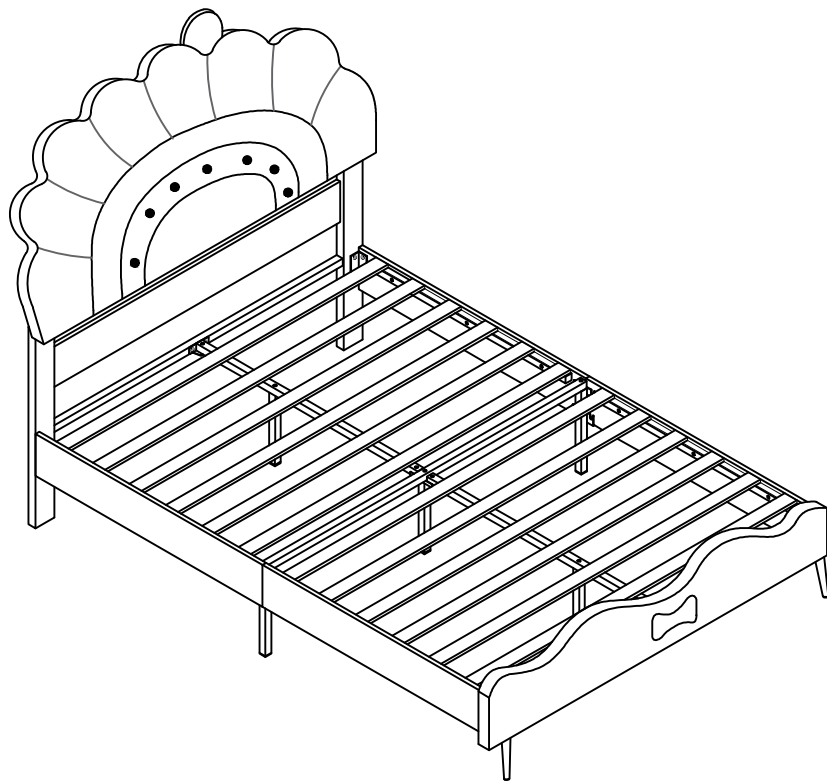
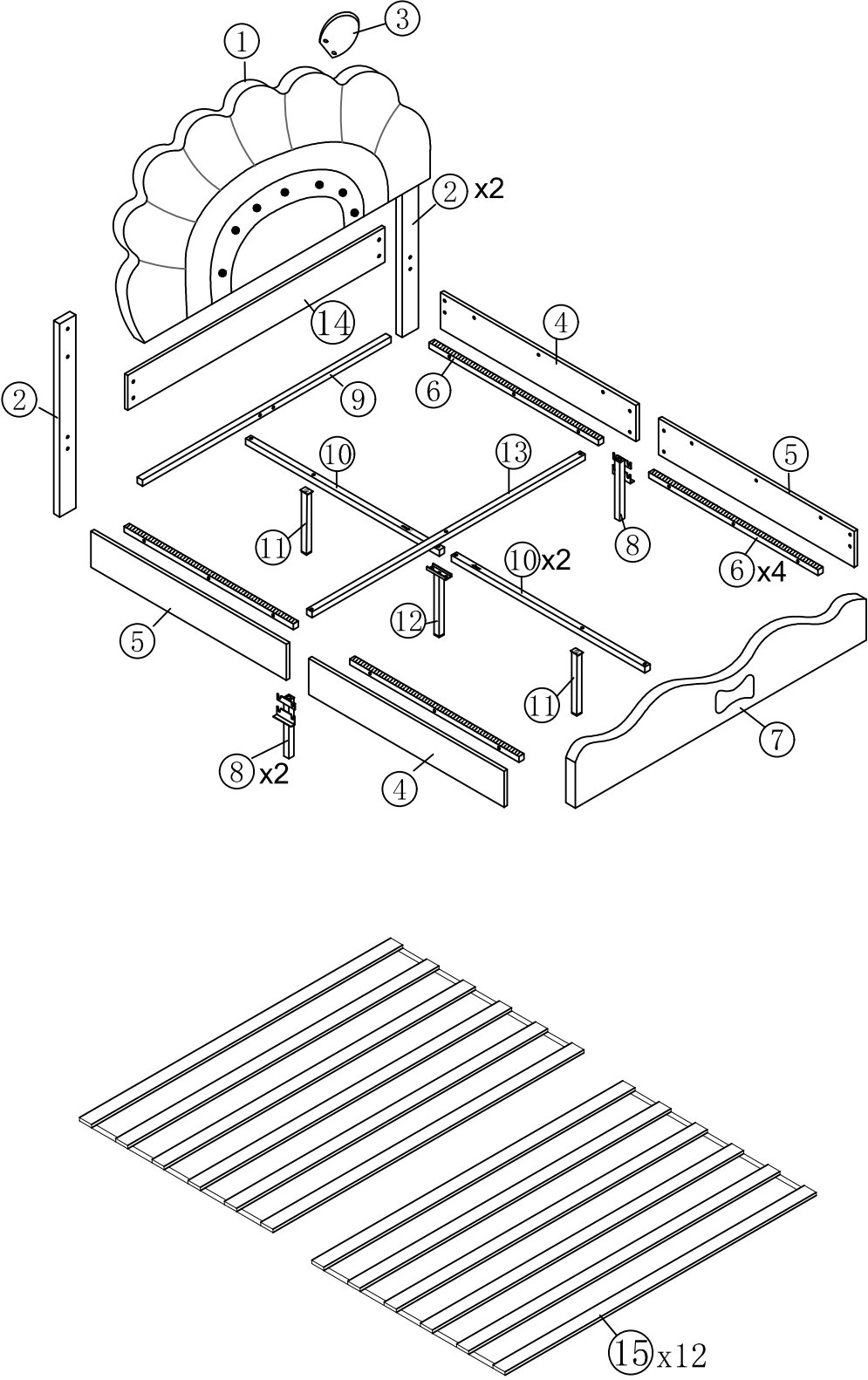


# ASSEMBLY INSTRUCTION



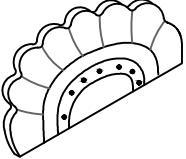


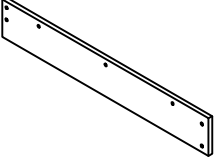
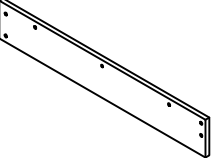
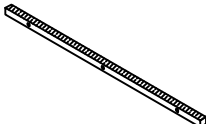
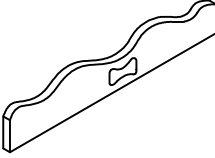

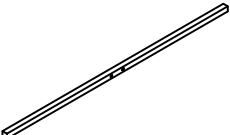
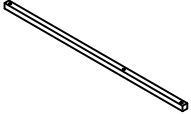

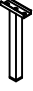
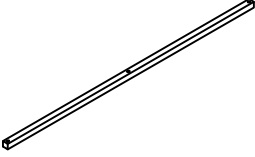
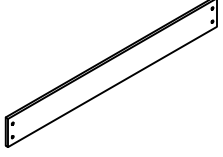
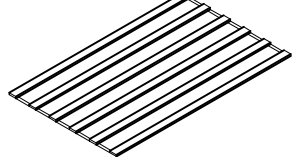
WF321480AAL

# Detail View









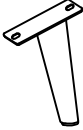
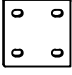
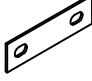
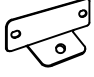
# Part List

WF321480AAL

<p><b>1</b></p>  <p>Head board-1pc</p>	<p><b>2</b></p>  <p>Head board legs-2pcs</p>	<p><b>3</b></p>  <p>Ear of the Headboard-1pc</p>
<p><b>4</b></p>  <p>Siderails-2pcs</p>	<p><b>5</b></p>  <p>Siderails-2pcs</p>	<p><b>6</b></p>  <p>Side rails support bar-4pcs</p>
<p><b>7</b></p>  <p>Foot board-1pc</p>	<p><b>8</b></p>  <p>Side rails support legs-2pcs</p>	<p><b>9</b></p>  <p>Head board cross bar-1pc</p>
<p><b>10</b></p>  <p>Center support bar-2pcs</p>	<p><b>11</b></p>  <p>Middle support leg-2pcs</p>	<p><b>12</b></p>  <p>Connected support leg-1pc</p>
<p><b>13</b></p>  <p>Cross bar-1pc</p>	<p><b>14</b></p>  <p>Cross board-1pc</p>	<p><b>15</b></p>  <p>Slats-12pcs</p>



# Hardware List

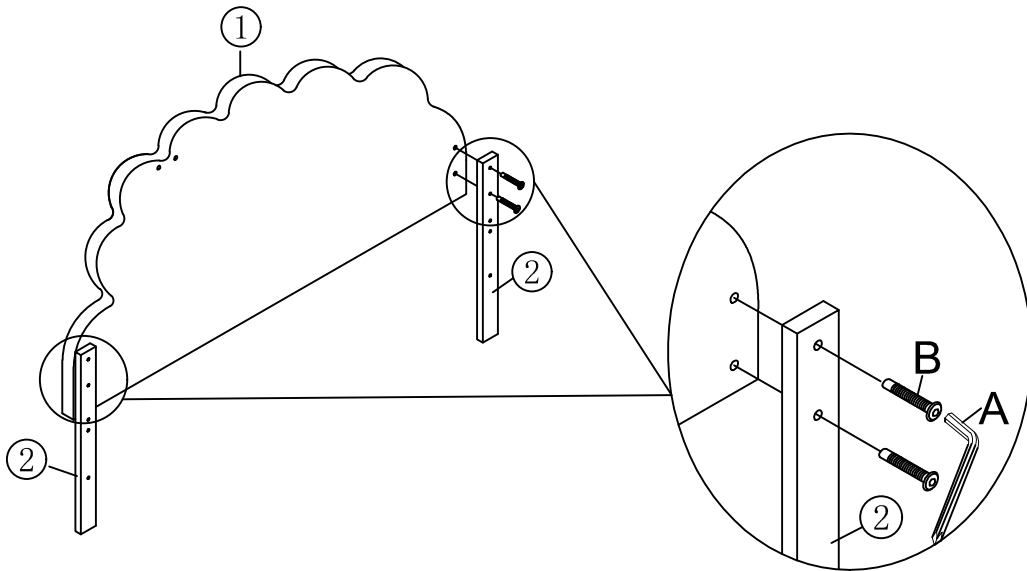
WF321480AAL

<b>A</b>  20*70mm	<b>B</b>  Ø8*45mm	<b>C</b>  Ø8*16mm
Allen Key(1pc)	Bolts(4pcs)	Bolts(44pcs)
<b>D</b>  Ø8*30mm	<b>E</b>  Ø8*40mm	<b>F</b>  77*33**33*3mm
Bolts(2pcs)	Bolts(21pcs)	"7" Connector(4pcs)
<b>G</b> 	<b>H</b>  100*100*2mm	<b>I</b> 
Bed legs(2pcs)	Four hole iron-2pcs	Two hole iron-2pcs
<b>J</b>  28*32*86*2mm Center support bar fittings(2pcs)		



Remark: We recommend you assemble your bed in the flat ground.

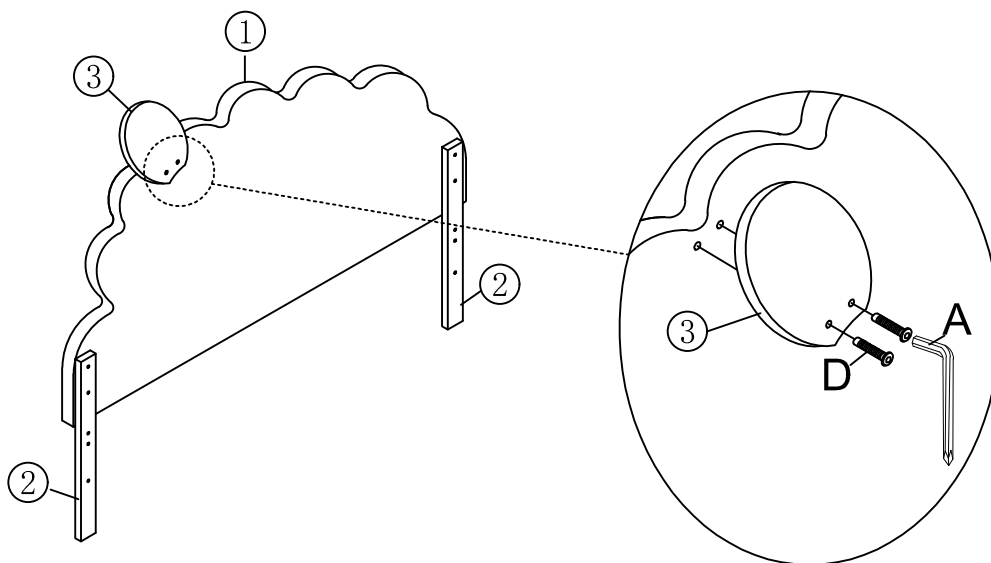
### Step 1

A 	B  M8X45mm 4PCS
--	---


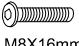



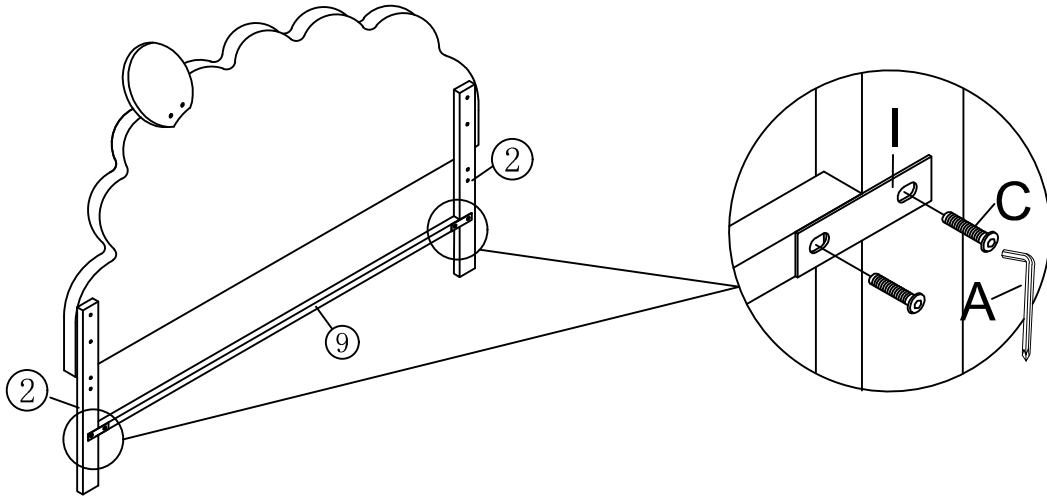
### Step 2

A 	D  M8X30mm 2PCS
--	---


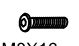
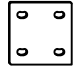


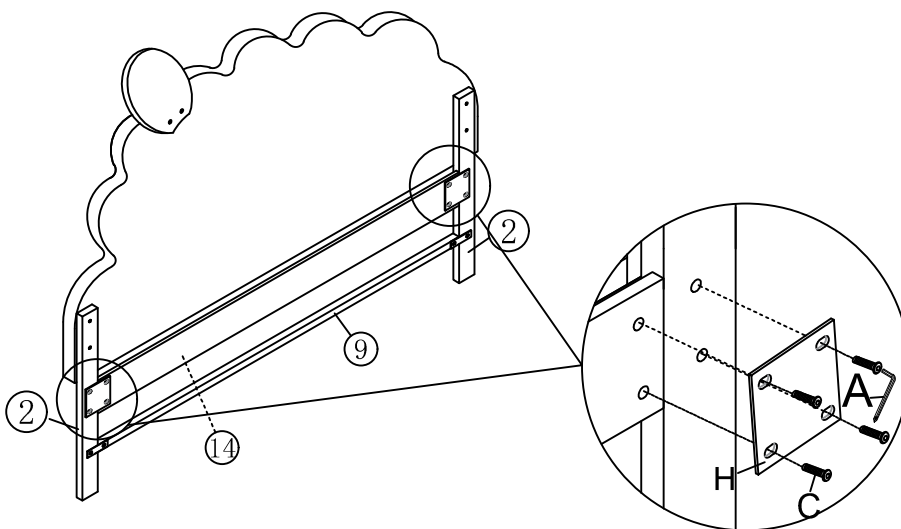
### Step 3

A	C	I
	 M8X16mm	
	4PCS	2PCS





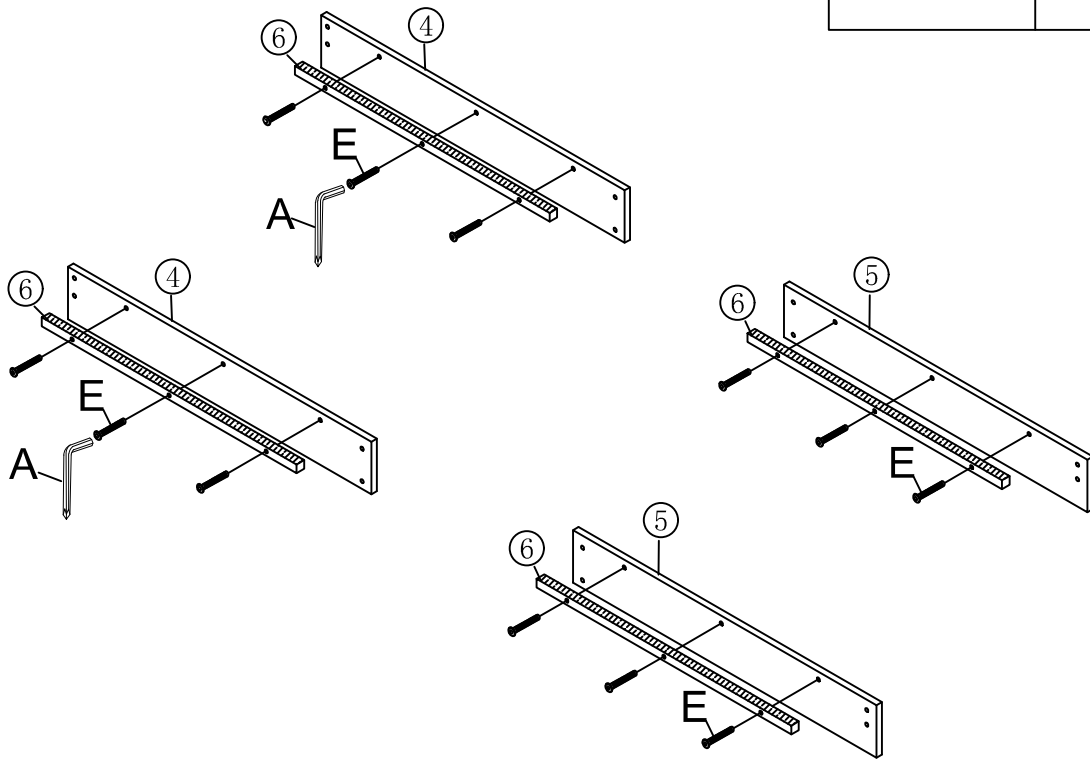
### Step 4

A	C	H
	 M8X16mm	
	8PCS	2PCS





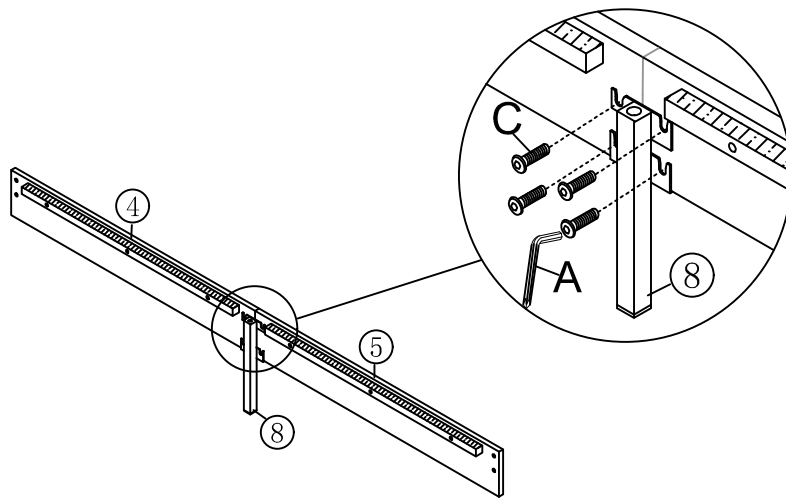
# Step 5

<p>A</p> 	<p>E</p>  <p>M8X40mm</p> <hr/> <p>12PCS</p>
--	--





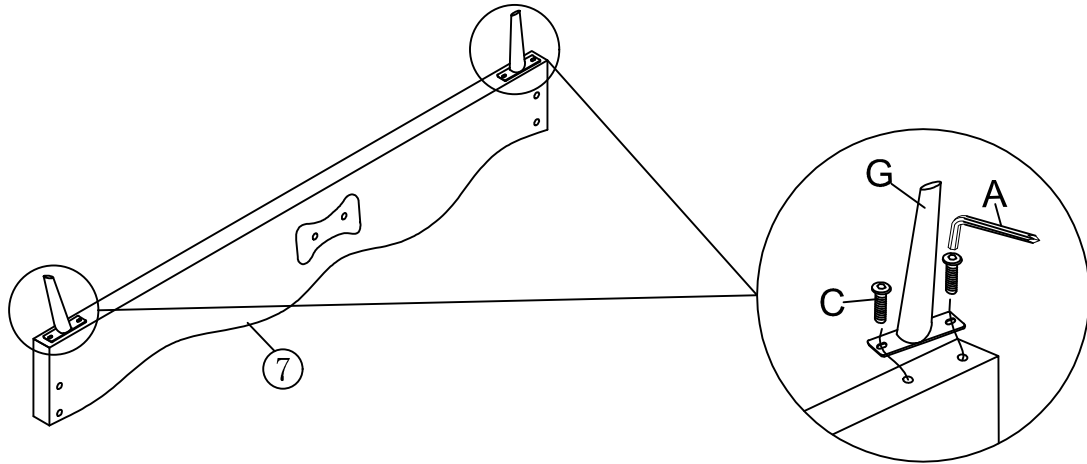
# Step 6 x2

<p>A</p> 	<p>C</p>  <p>M8X16mm</p> <hr/> <p>8PCS</p>
--	---





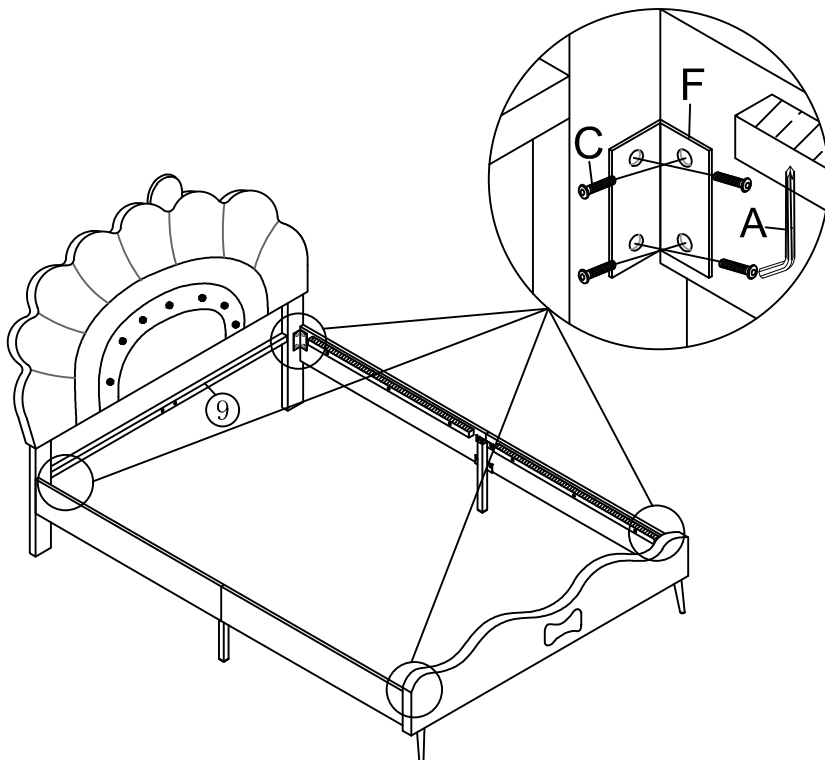
# Step 7

<p>A</p> 	<p>C</p> <p>M8X16mm</p> <p>4PCS</p>	<p>G</p>  <p>2PCS</p>
---	-------------------------------------	--






# Step 8

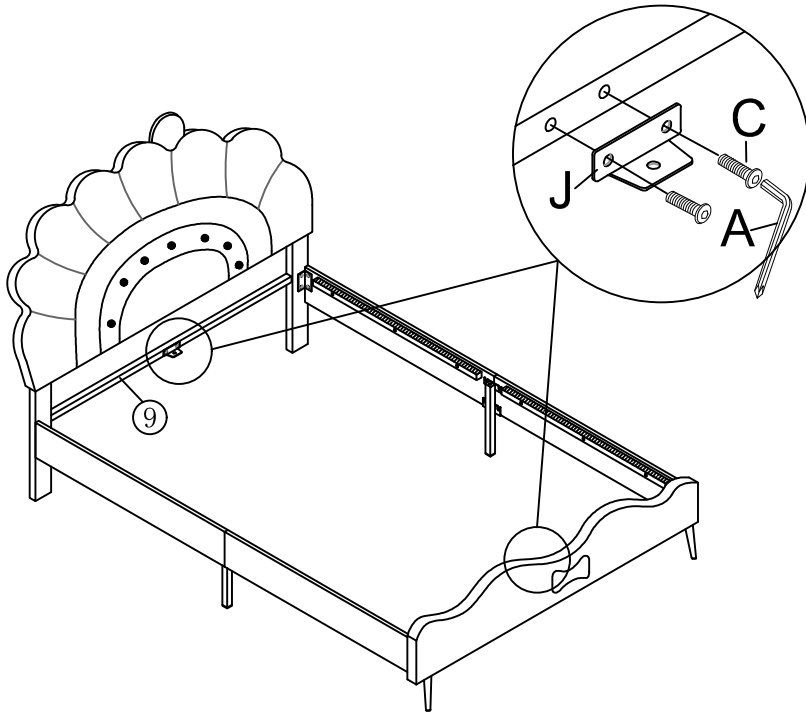
<p>A</p> 	<p>C</p> <p>M8X16mm</p> <p>16PCS</p>	<p>F</p>  <p>4PCS</p>
---	--------------------------------------	--




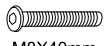


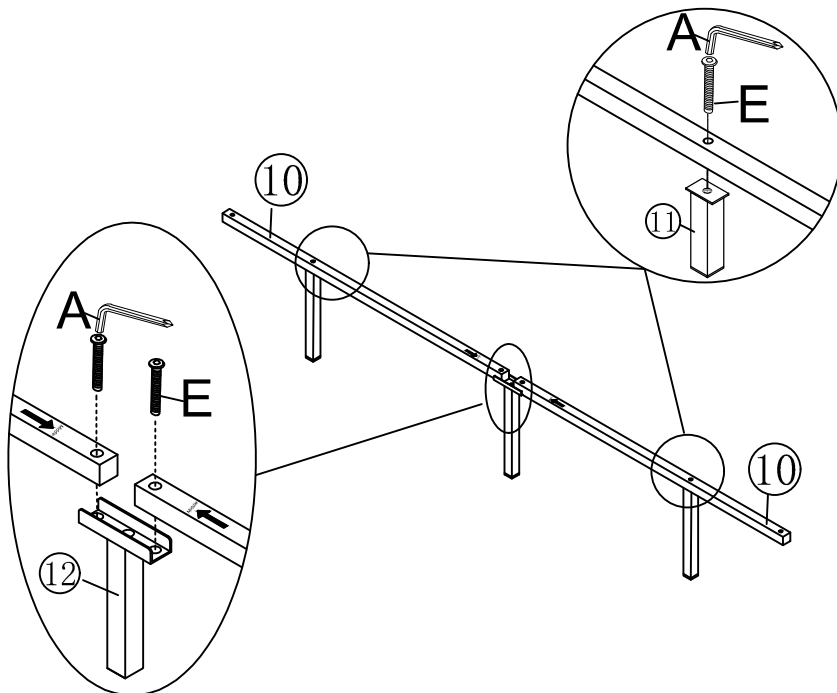
# Step 9

A		C	 M8X16mm	J	
		4PCS		2PCS	


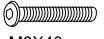


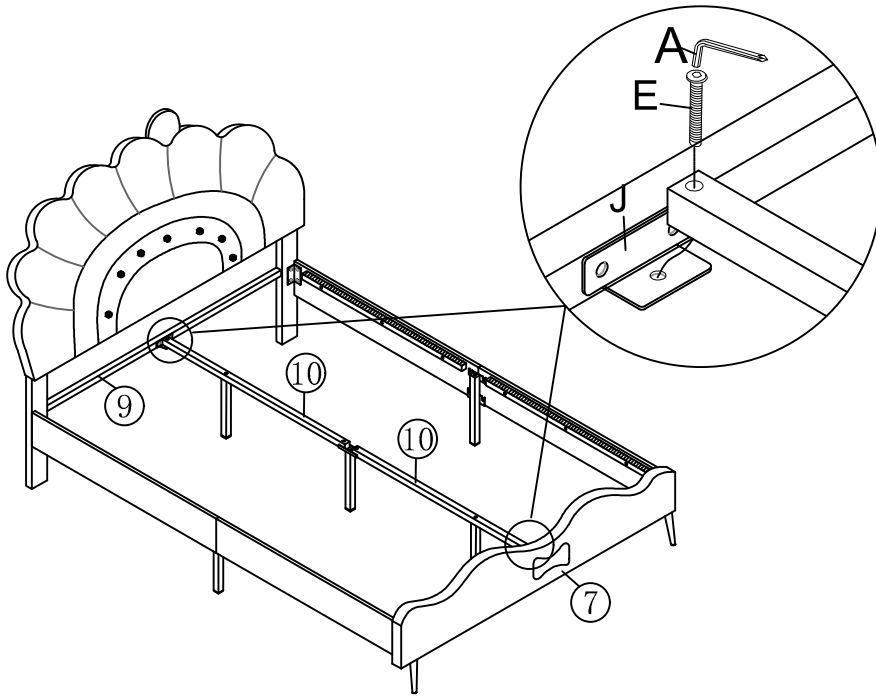
# Step 10

A		E	 M8X40mm
		4PCS	





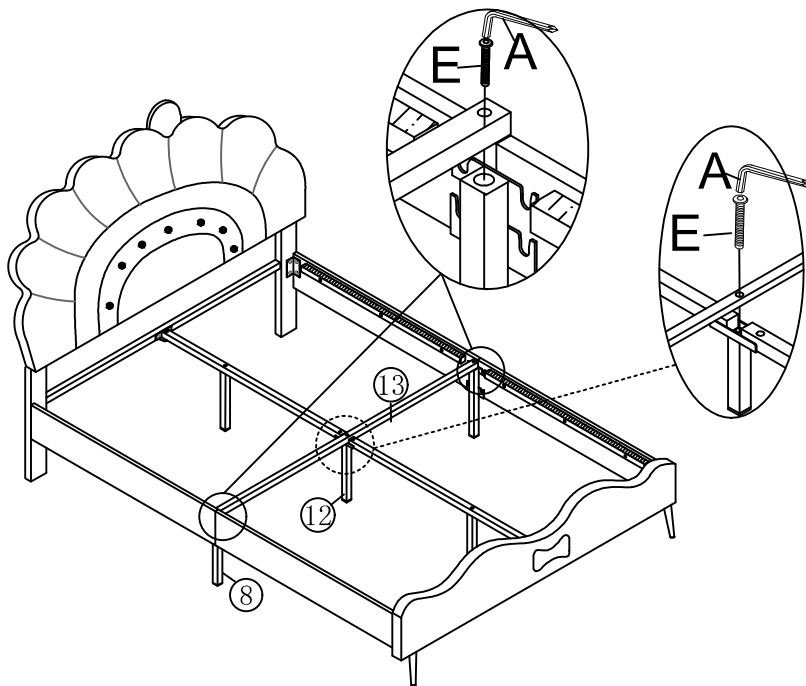
# Step 11

A	E
	 M8X40mm
	2PCS



# Step 12

A	E
	 M8X40mm
	3PCS



Step 13

