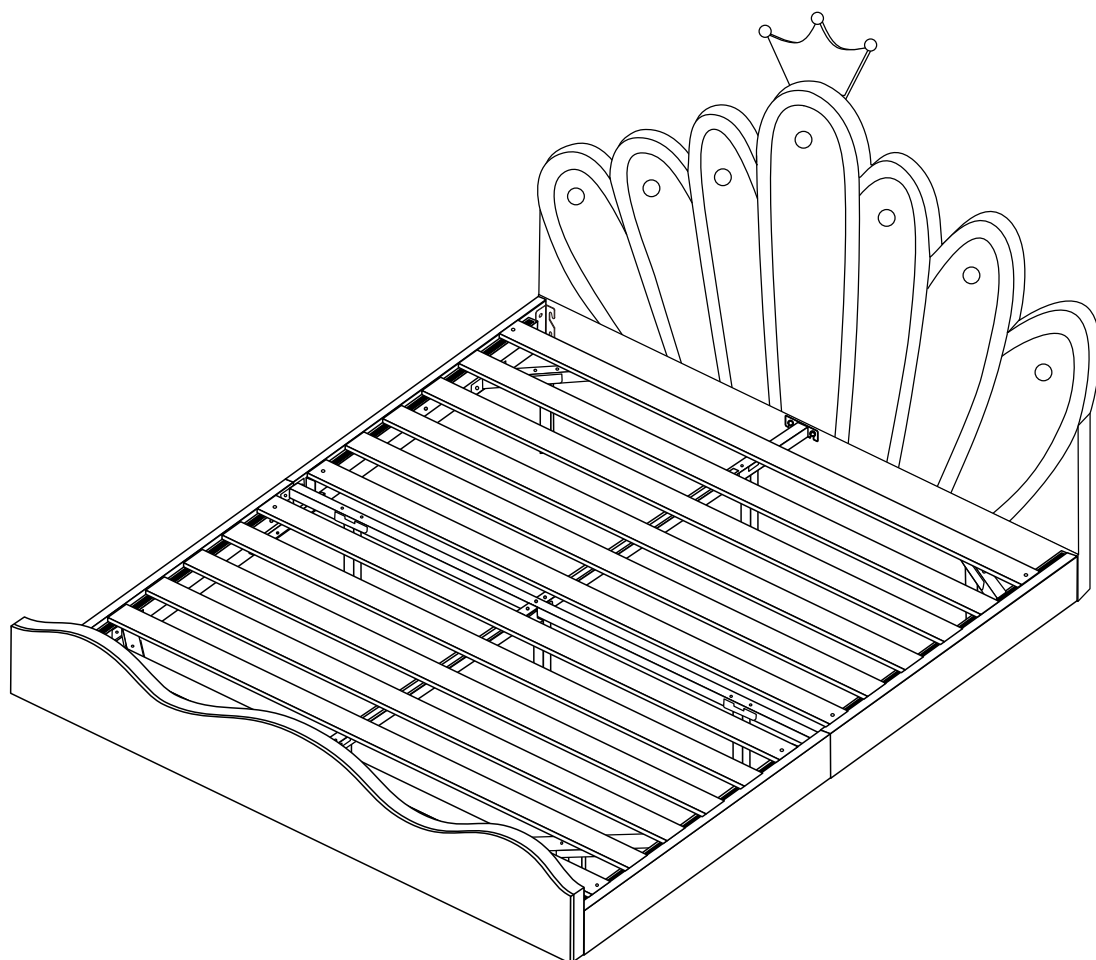
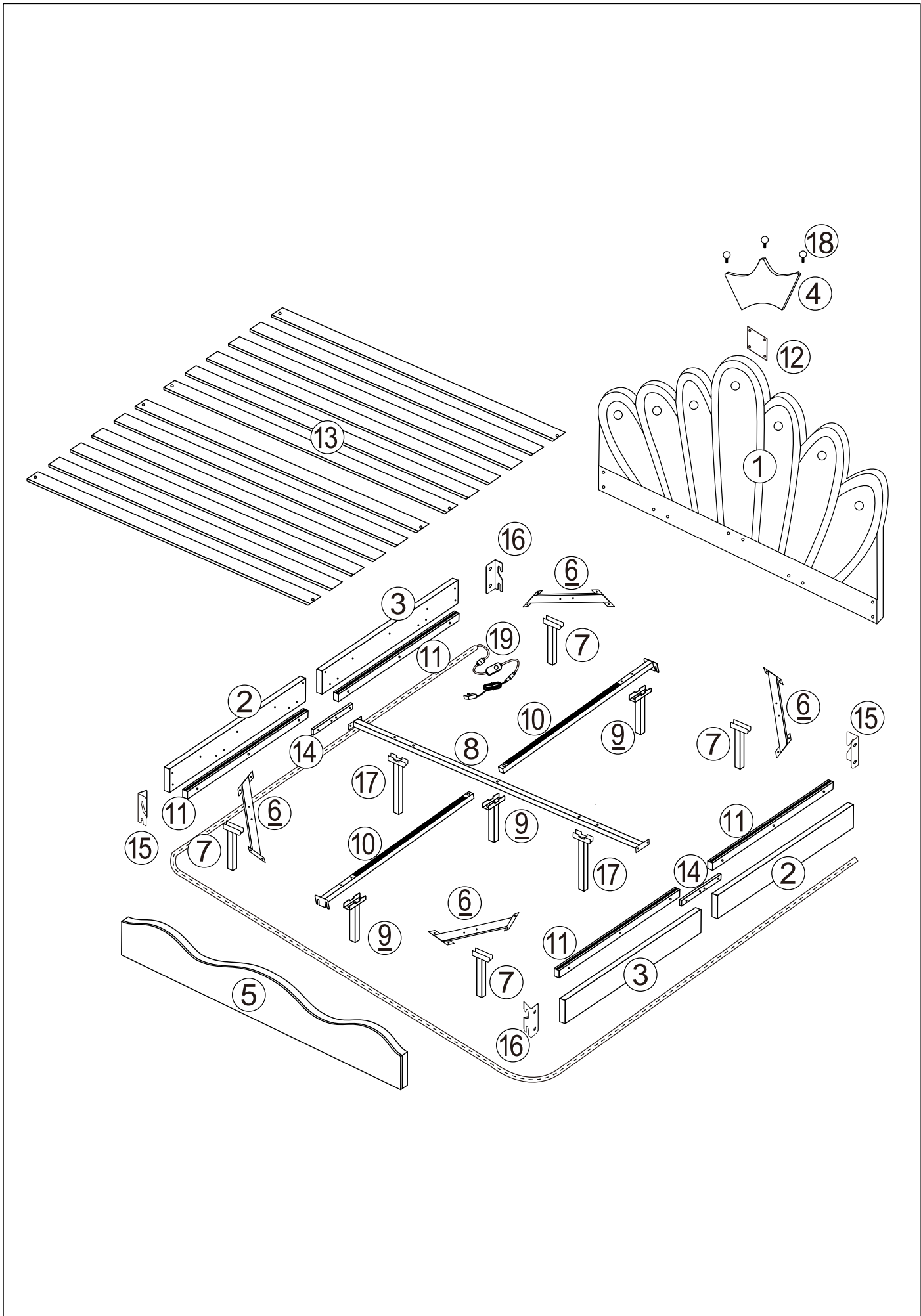


Assembly Instruction

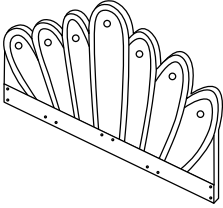
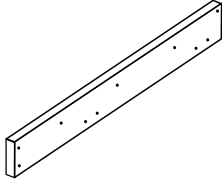
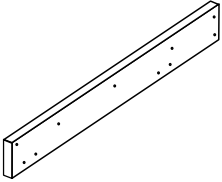

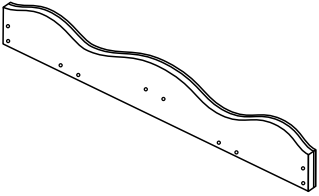
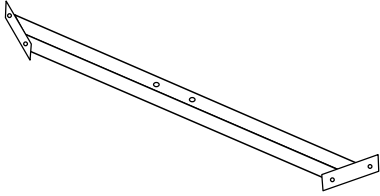
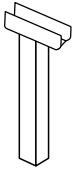
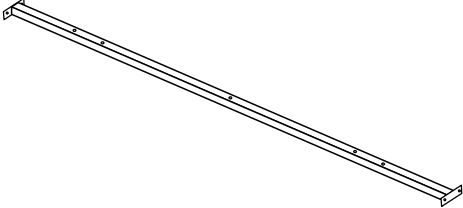
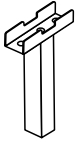
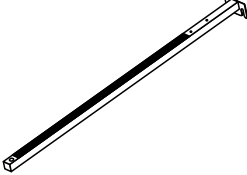
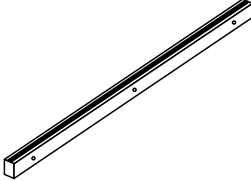
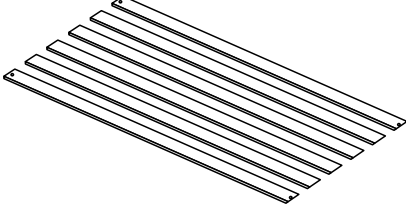
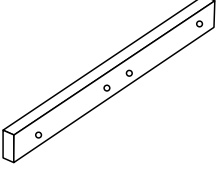


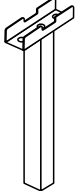
SKU: WF319403



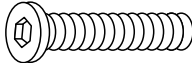
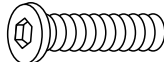
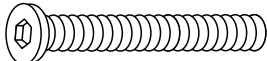
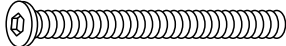







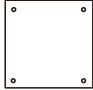
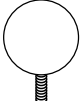
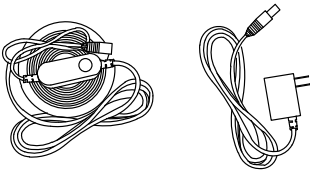

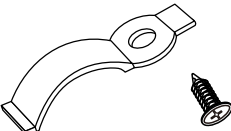
BED FRAME



Parts List for WF319403

<p>1</p>  <p>1PC</p>	<p>2</p>  <p>2PCS</p>
<p>3</p>  <p>2PCS</p>	<p>4</p>  <p>1PC</p>
<p>5</p>  <p>1PC</p>	<p>6</p>  <p>4PCS</p>
<p>7</p>  <p>4PCS</p>	<p>8</p>  <p>1PC</p>
<p>9</p>  <p>3PCS</p>	<p>10</p>  <p>2PCS</p>
<p>11</p>  <p>4PCS</p>	<p>13</p>  <p>2PCS</p>
<p>14</p>  <p>2PCS</p>	<p>15</p>  <p>2PCS</p>
<p>16</p>  <p>2PCS</p>	<p>17</p>  <p>2PCS</p>

Hardware List for WF319403

<p>Ⓐ</p>  <p>M8*25mm</p> <p>8PCS</p>	<p>Ⓑ</p>  <p>M8*20mm</p> <p>32PCS</p>
<p>Ⓒ</p>  <p>M8*35mm</p> <p>26PCS</p>	<p>Ⓓ</p>  <p>M8*50mm</p> <p>1PC</p>
<p>Ⓔ</p>  <p>M8</p> <p>16PCS</p>	<p>Ⓕ</p>  <p>Ø19mm</p> <p>16PCS</p>
<p>Ⓖ</p>  <p>M6*15mm</p> <p>4PCS</p>	<p>Ⓗ</p>  <p>M4*25mm</p> <p>8PCS</p>
<p>Ⓘ</p>  <p>M5</p> <p>1PC</p>	<p>Ⓙ</p>  <p>M4</p> <p>1PC</p>
<p>Ⓚ</p>  <p>M6*40mm</p> <p>12PCS</p>	<p>⑫</p>  <p>1PC</p>
<p>⑱</p>  <p>3PCS</p>	<p>⑲</p>  <p>1PC</p>
<p>⑳</p>  <p>1PC</p>	<p>㉕</p>  <p>14PCS</p>

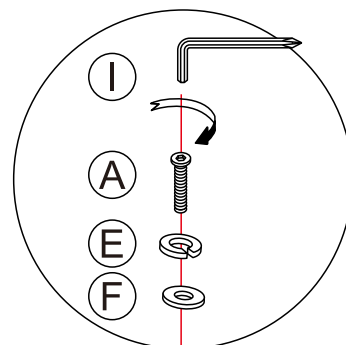
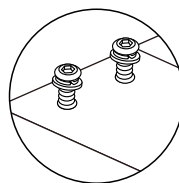
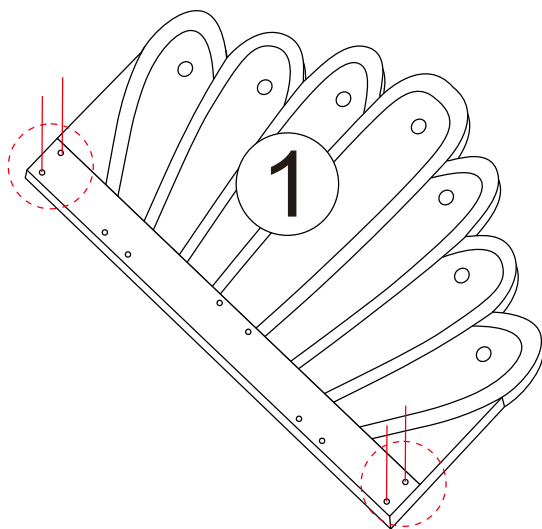
Installation Steps





Before your installation, please make sure that you have all the parts listed in the manual. If you find something missing please do not hesitate in contacting us.

1

TIP:

Please do not lock tightly the screws on this step, only lock in the half as the picture.

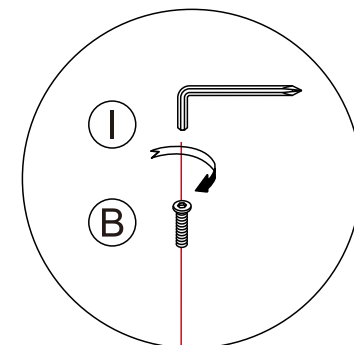
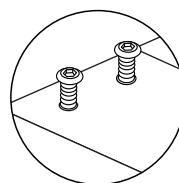
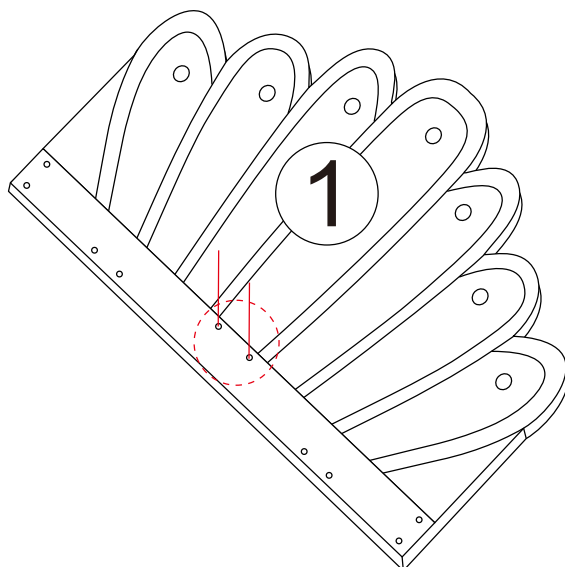




	A x 4PCS
	E x 4PCS
	F x 4PCS
	I x 1PC

2

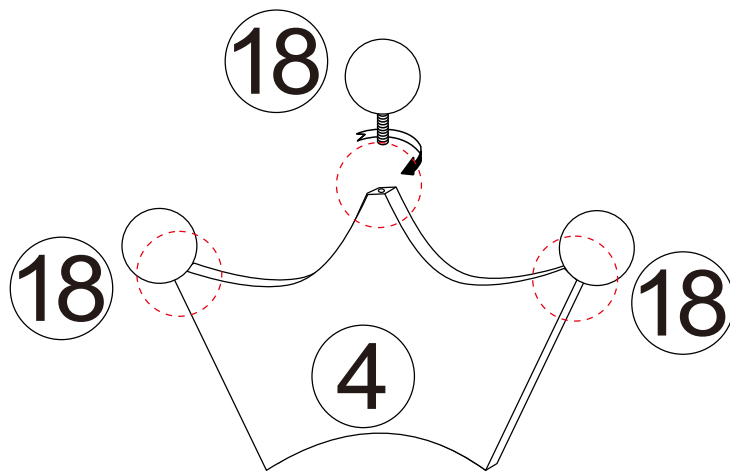
TIP:

Please do not lock tightly the screws on this step, only lock in the half as the picture.



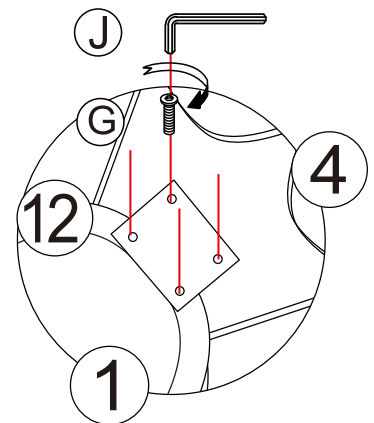
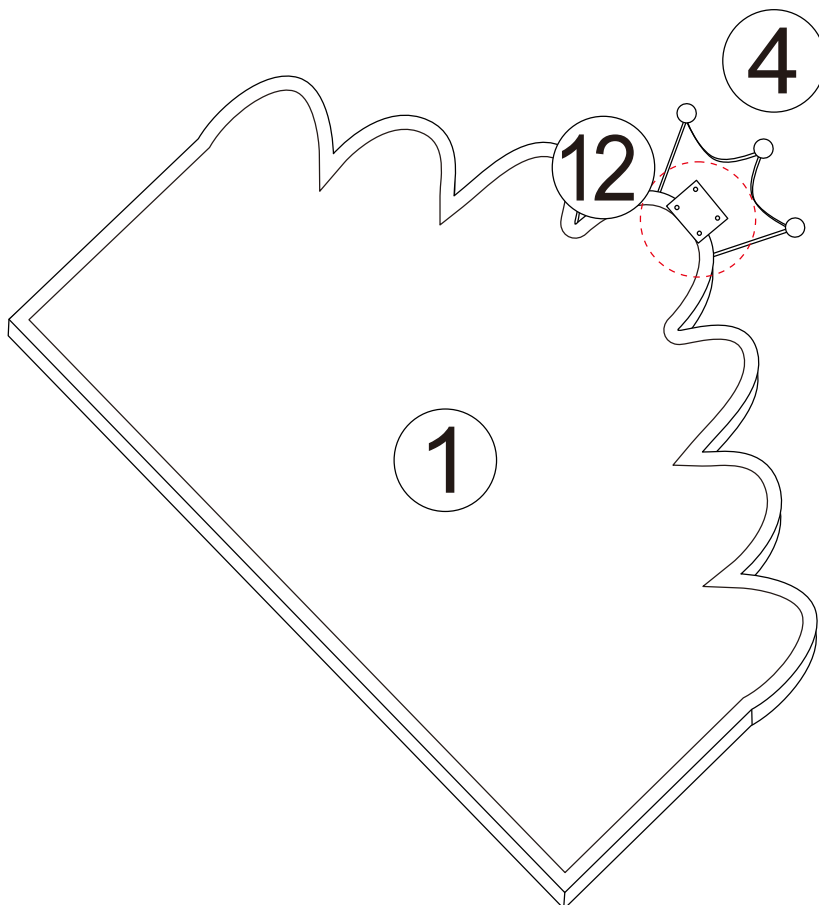
	B x 2PCS
	I x 1PC



3



 (18) x 3PCS

4

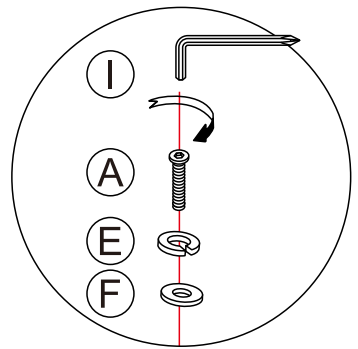
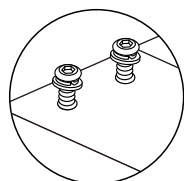
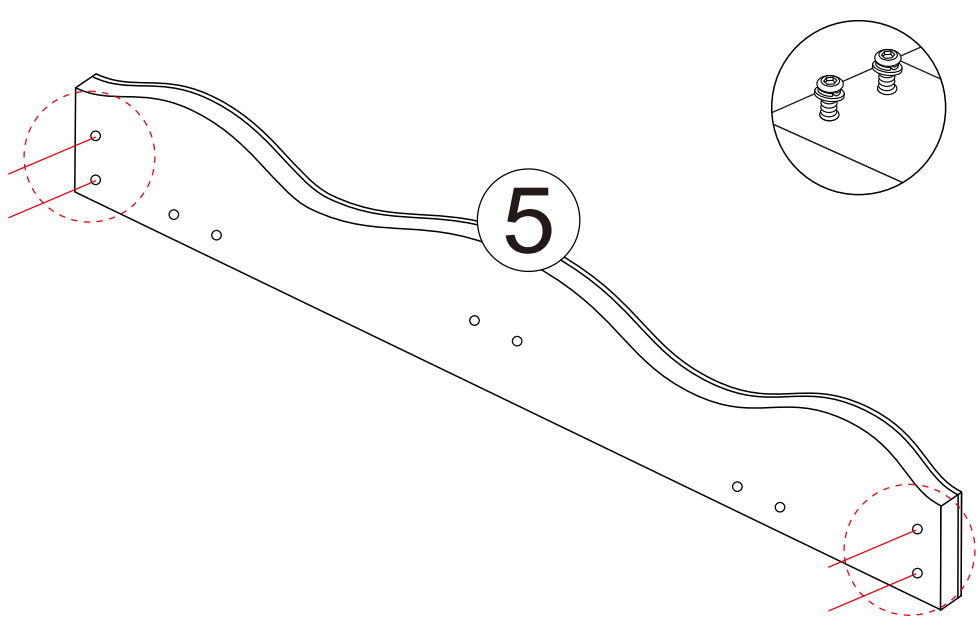


 (G) x 4PCS
 (J) x 1PC

5

TIP:

Please do not lock tightly the screws on this step, only lock in the half as the picture.

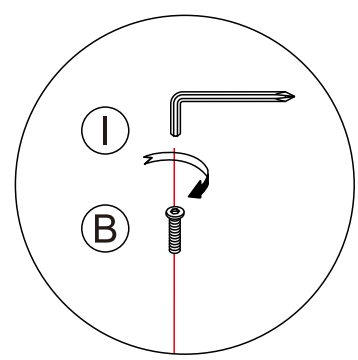
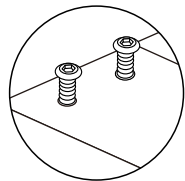
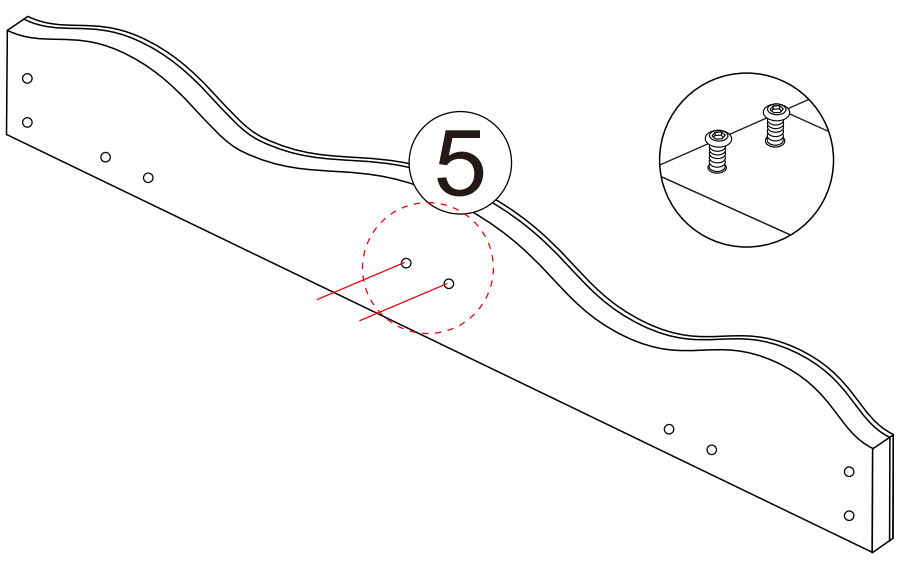


	(A) x 4PCS
	(E) x 4PCS
	(F) x 4PCS
	(I) x 1PC

6

TIP:

Please do not lock tightly the screws on this step, only lock in the half as the picture.

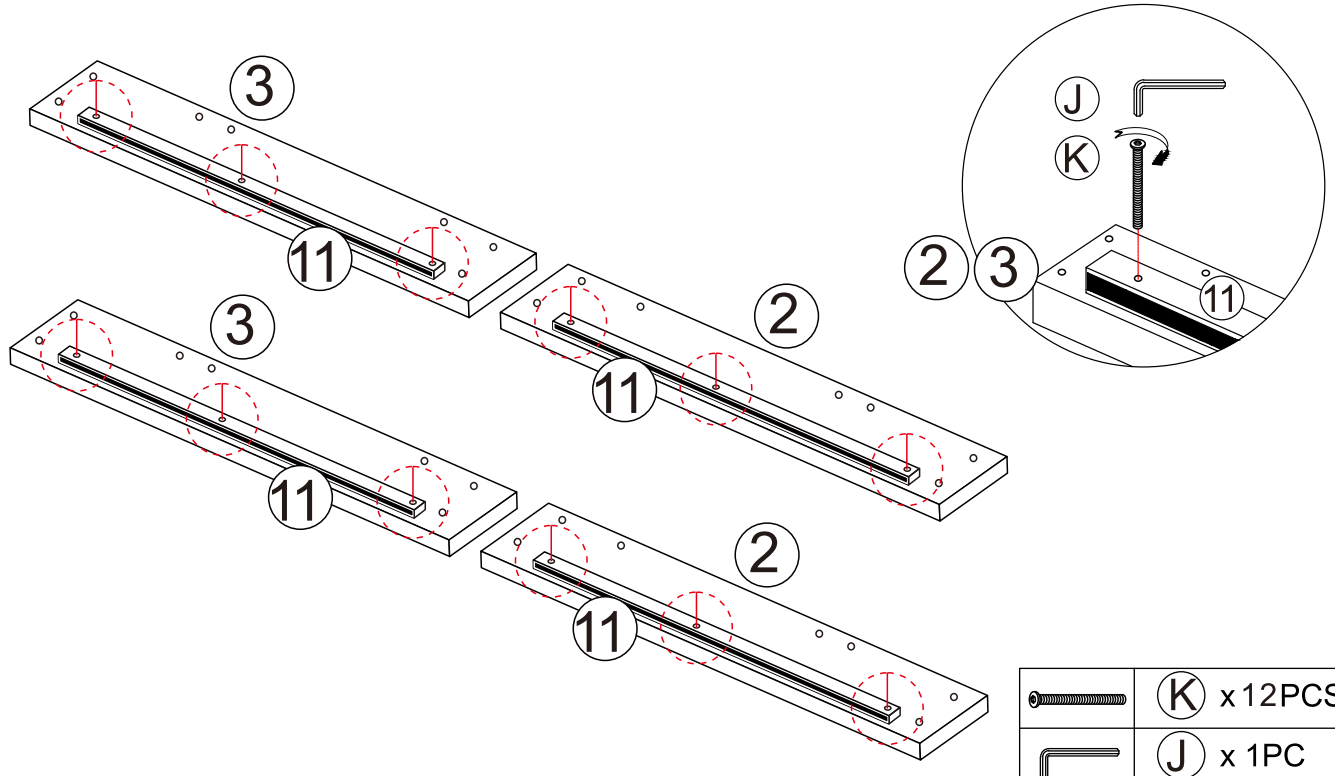


	(B) x 2PCS
	(I) x 1PC

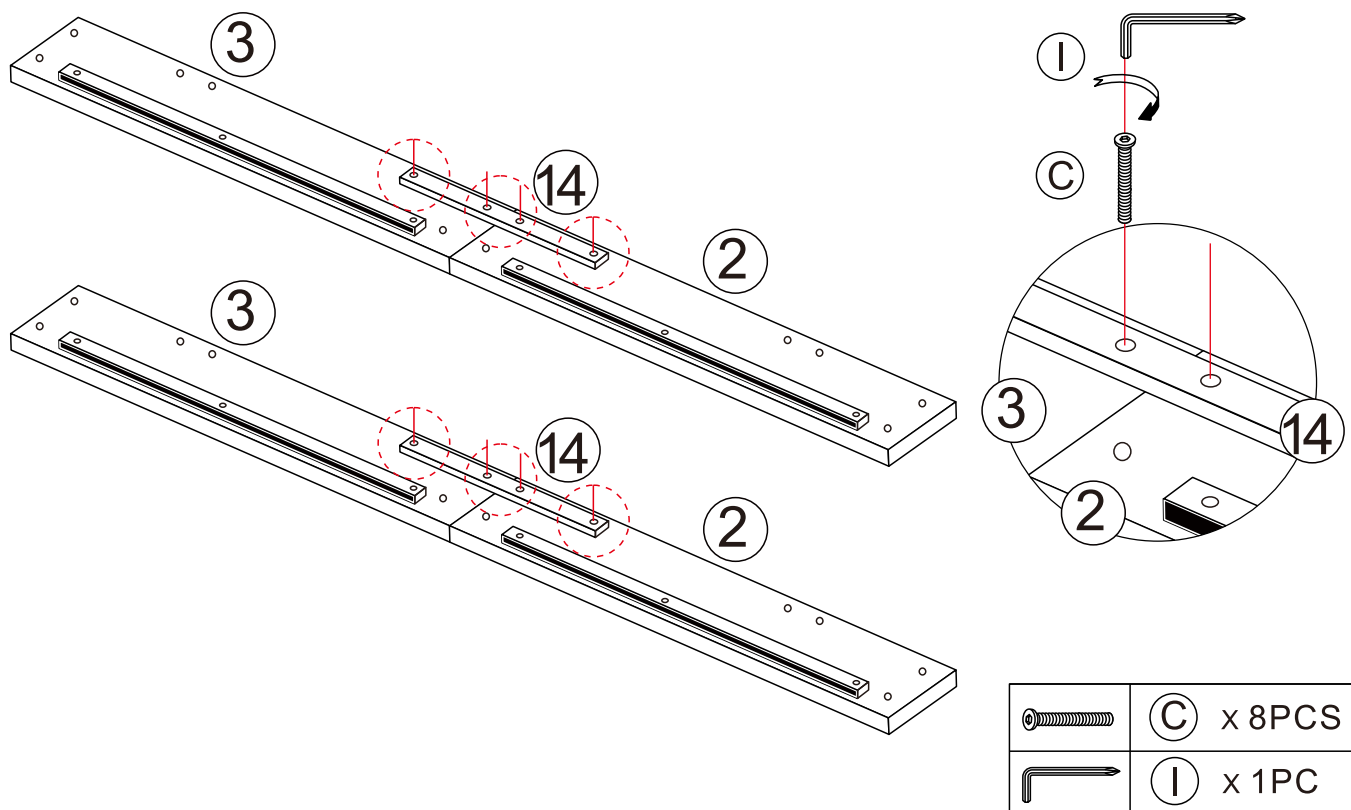
7

TIP:

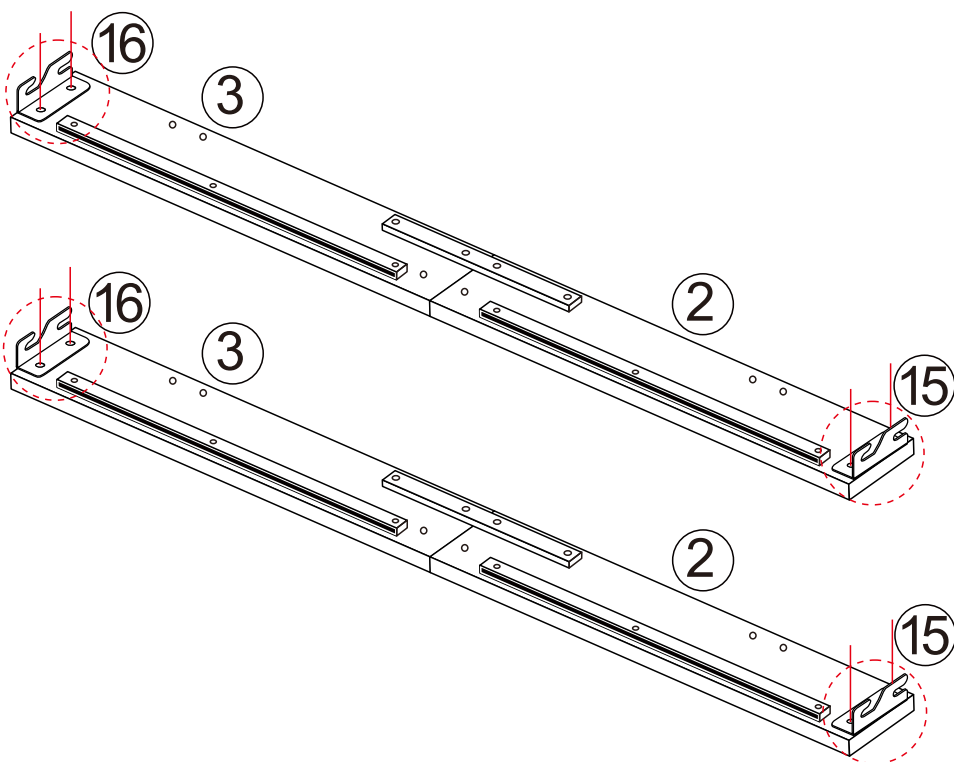
The position of the black label should face up as the picture shown.







8

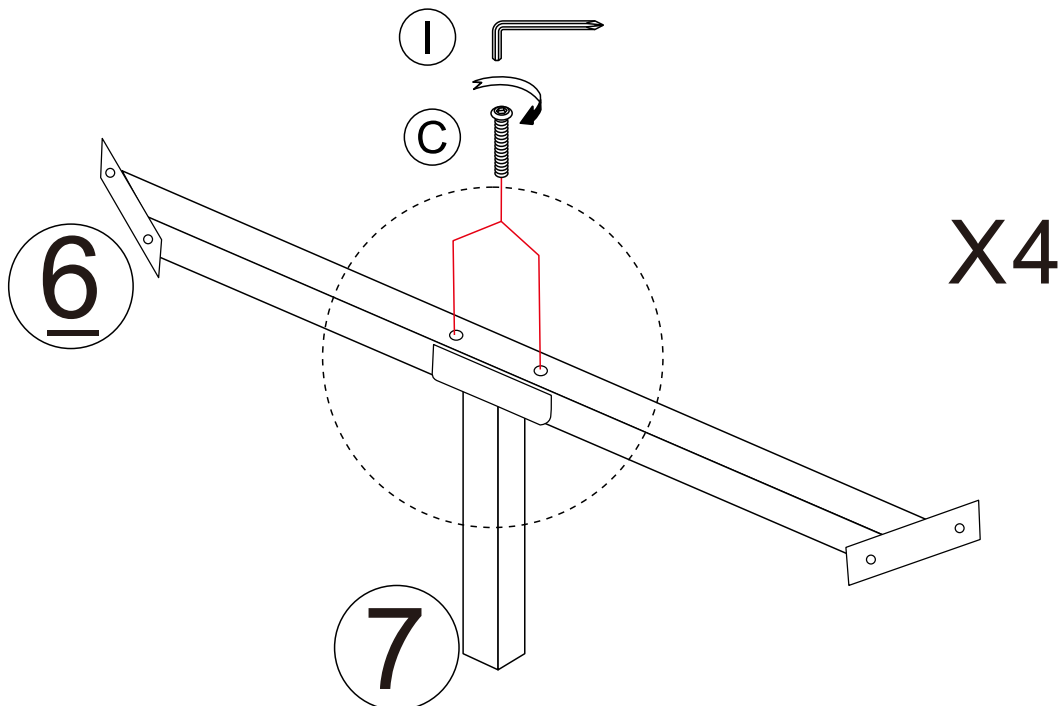




9 TIP:
The part "15" and "16" are different, they go in two directions:
left and right, please install as the picture shown.



	B x 8PCS
	E x 8PCS
	F x 8PCS
	I x 1PC

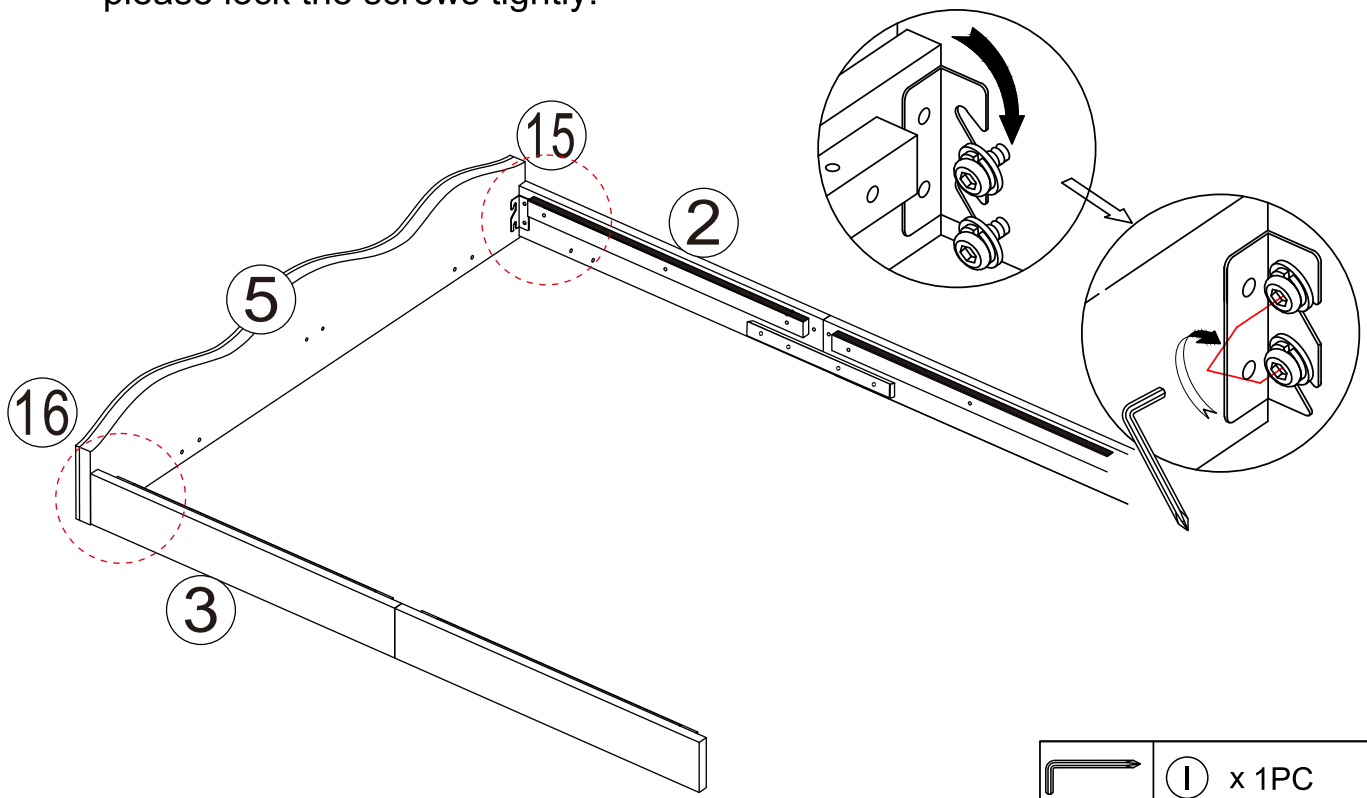
10



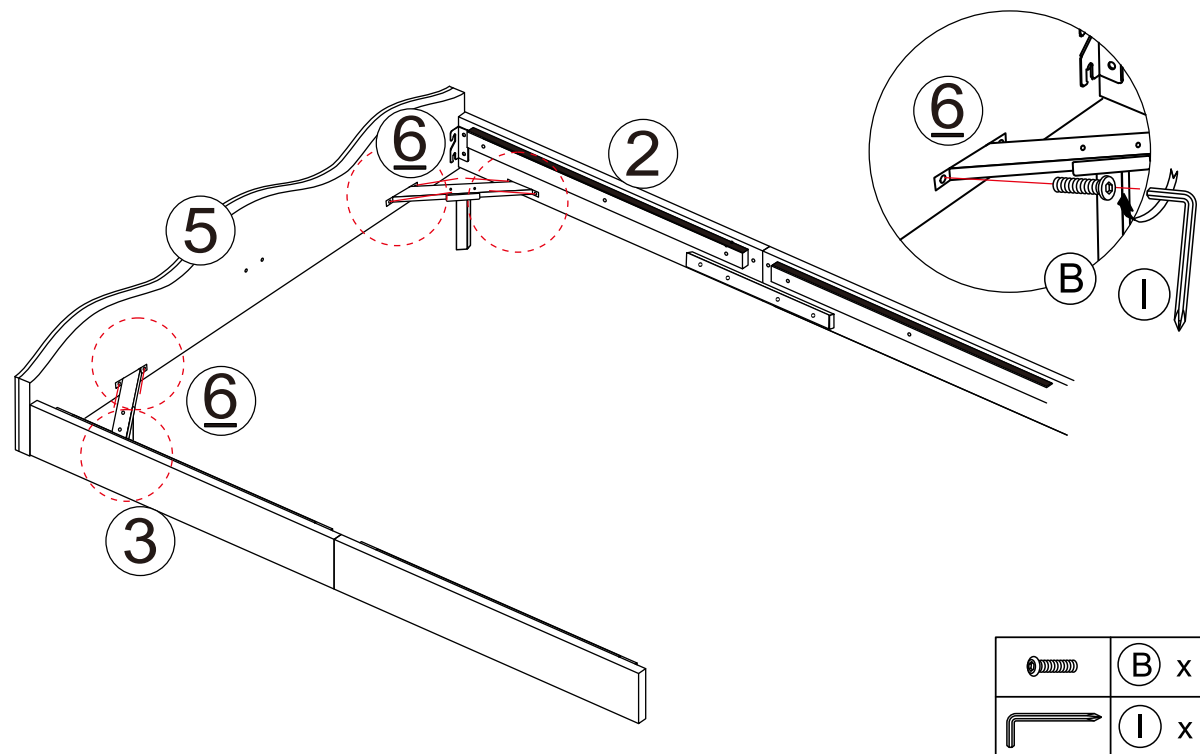
	C x 8PCS
	I x 1PC

11

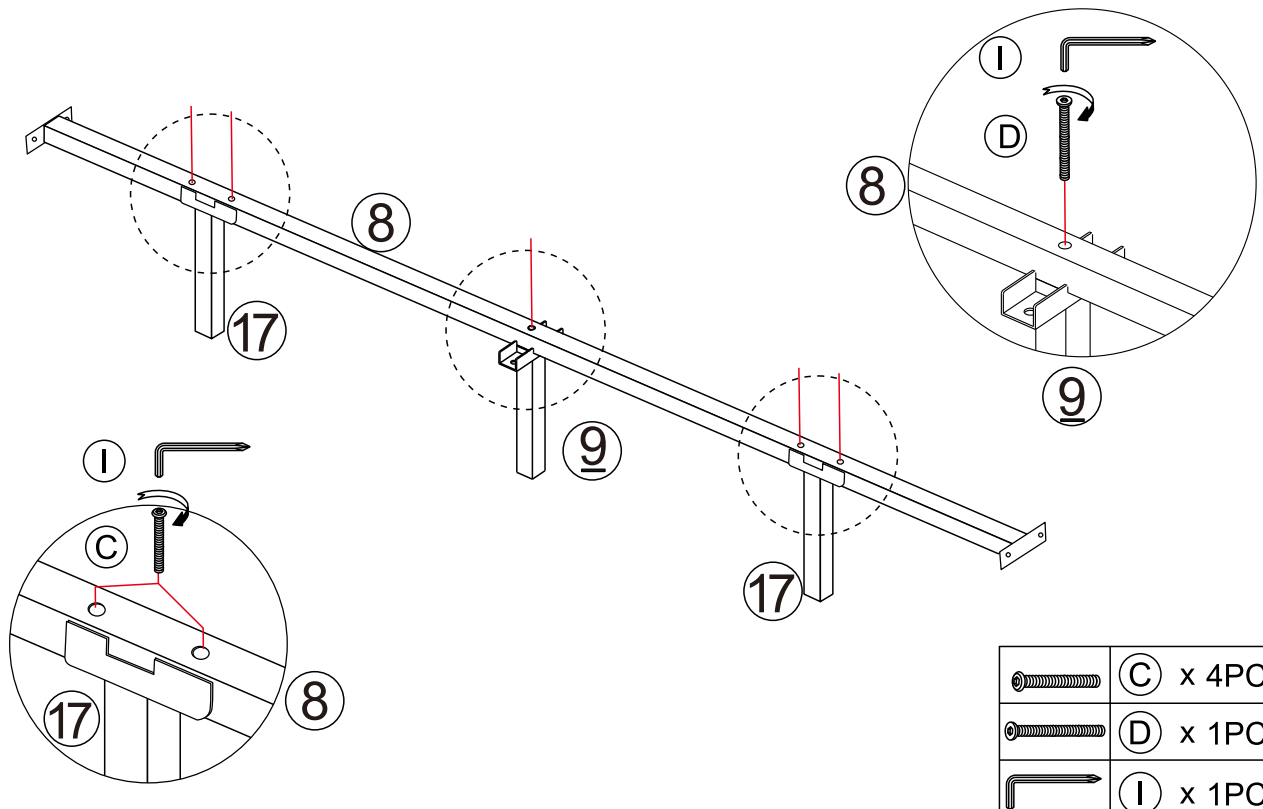
TIP:
After hanging the bedrail " 2/3" on the end of the bed "5",
please lock the screws tightly.






12

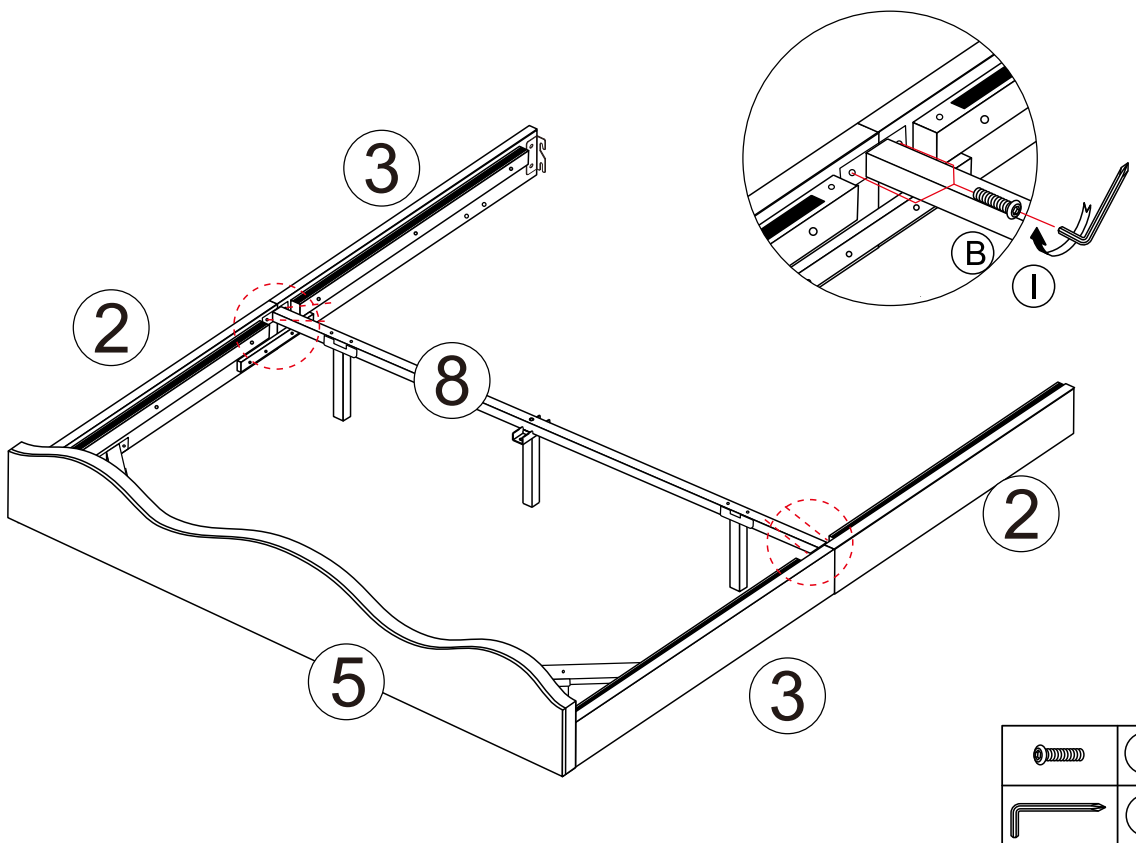




13



	(C) x 4PCS
	(D) x 1PC
	(I) x 1PC

14

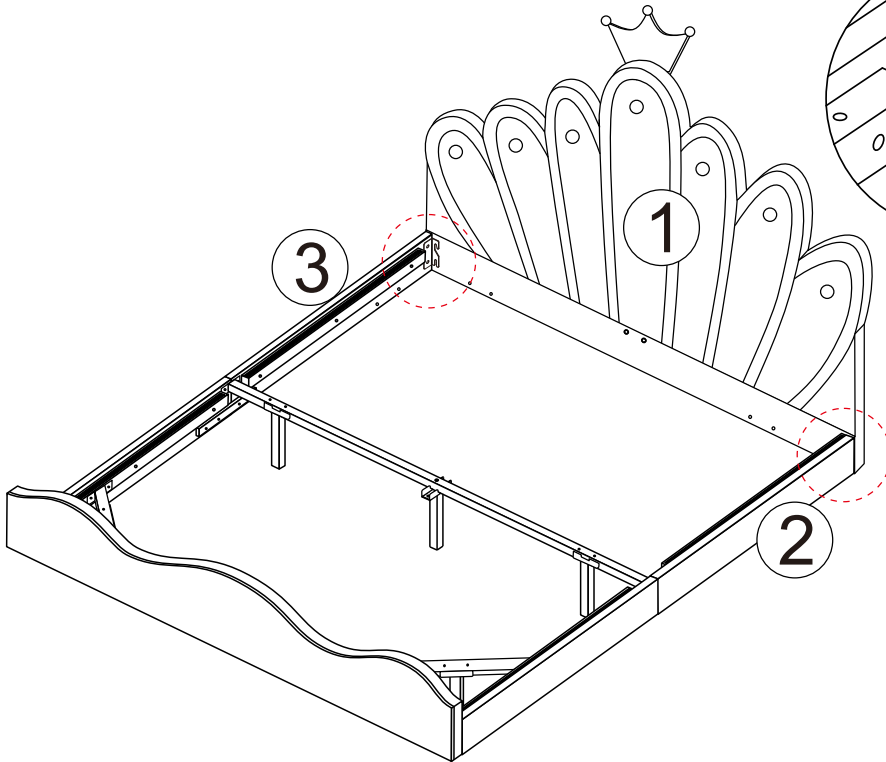



	(B) x 4PCS
	(I) x 1PC

15

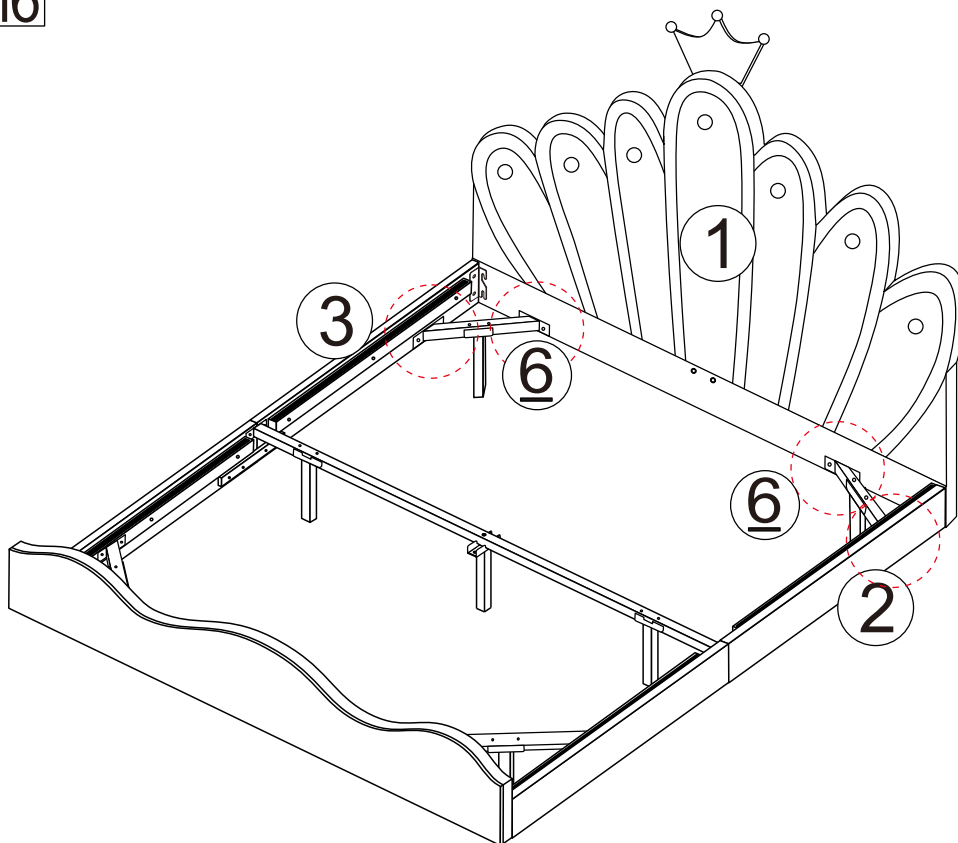
TIP:



After hanging the bedrail " 2/3" on the head "1", please lock the screws tightly.



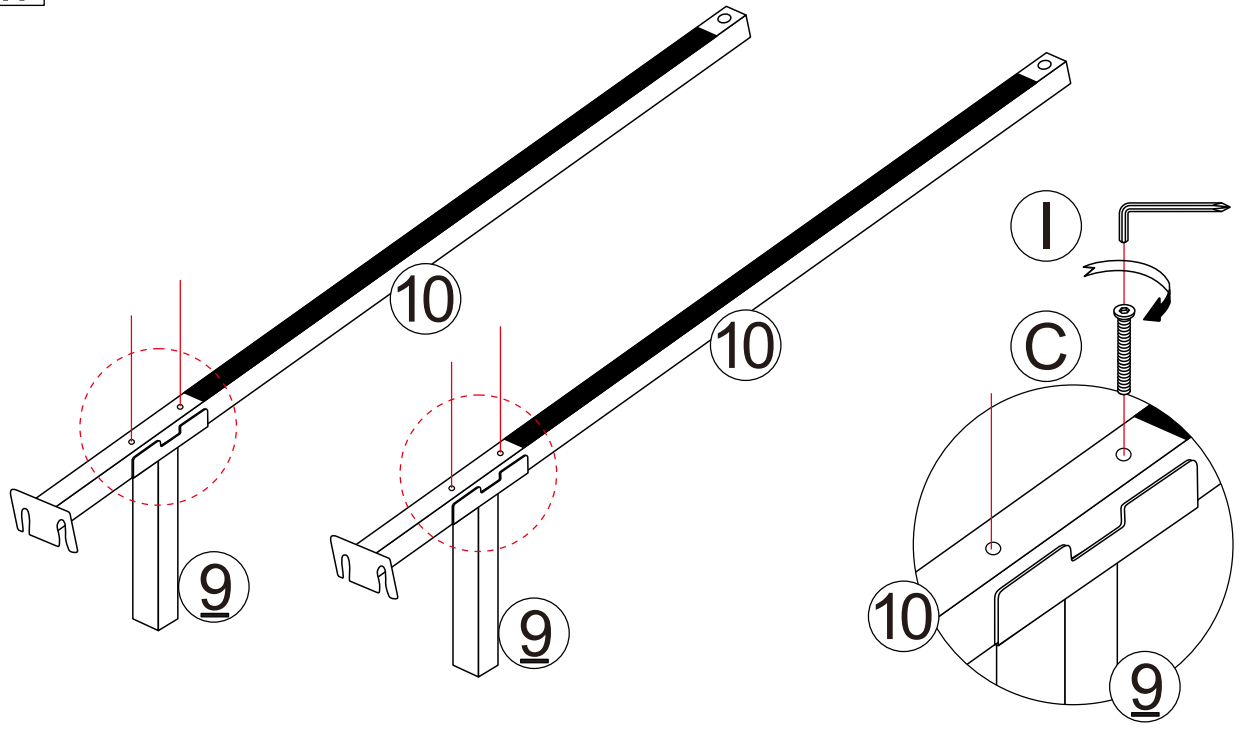
 **I** x 1PC



16



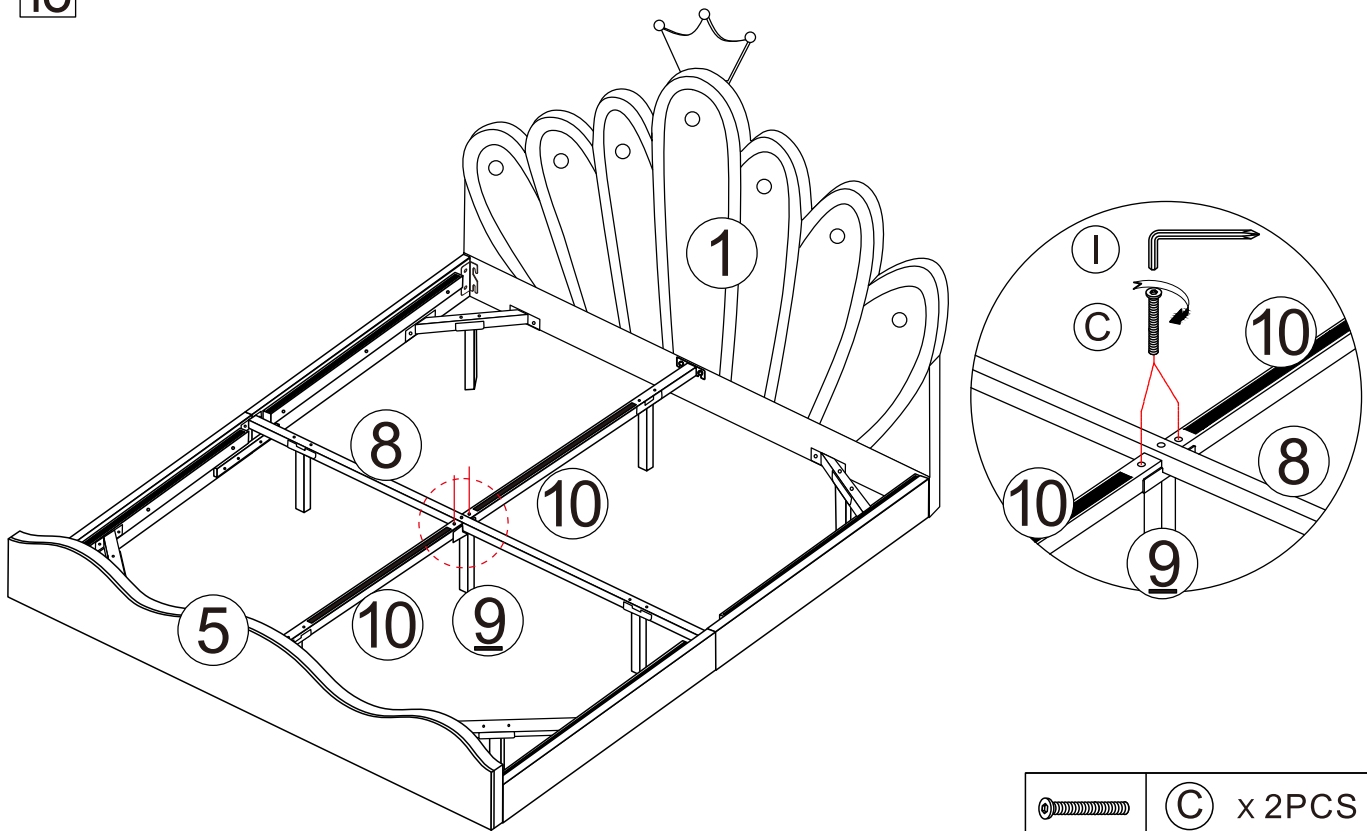
 **B** x 8PCS
 **I** x 1PC



17



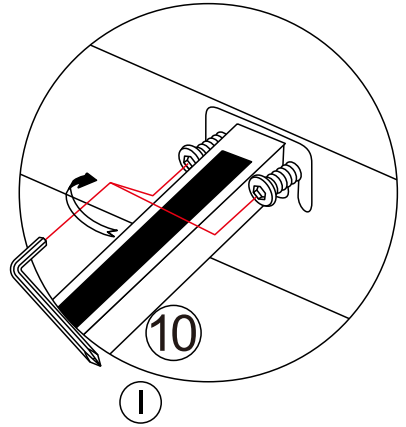
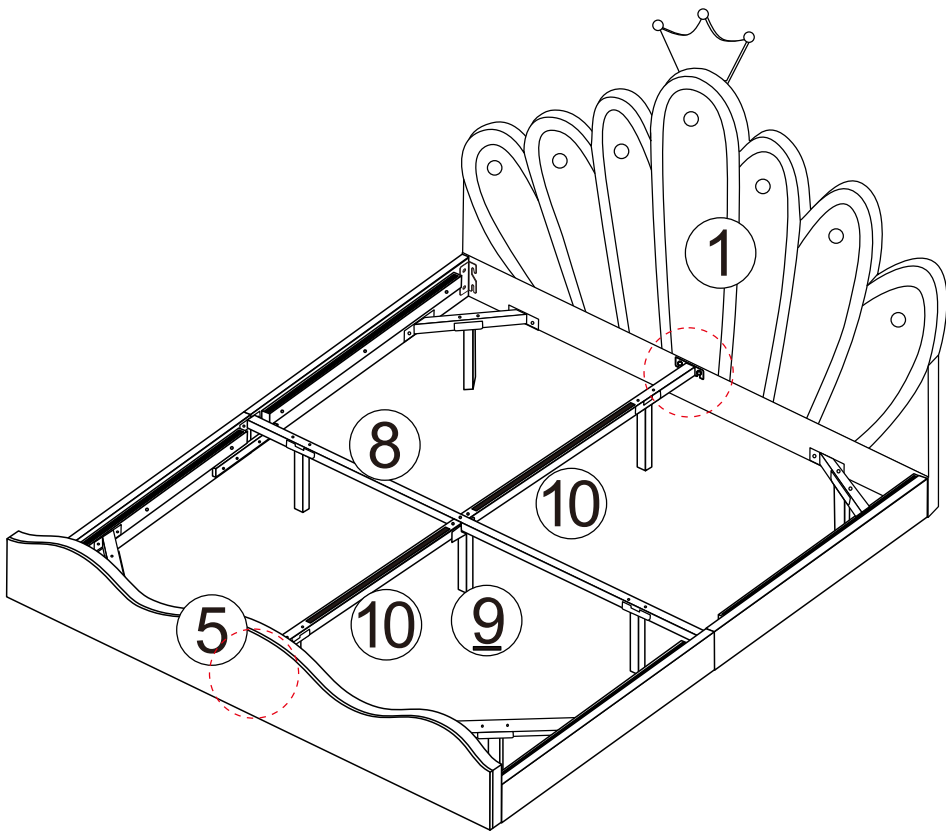
	(C) x 4PCS
	(I) x 1PC

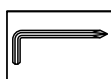
18



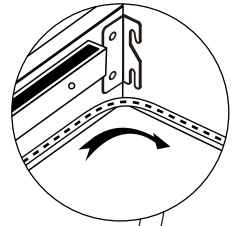
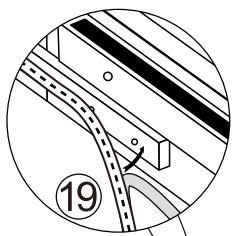
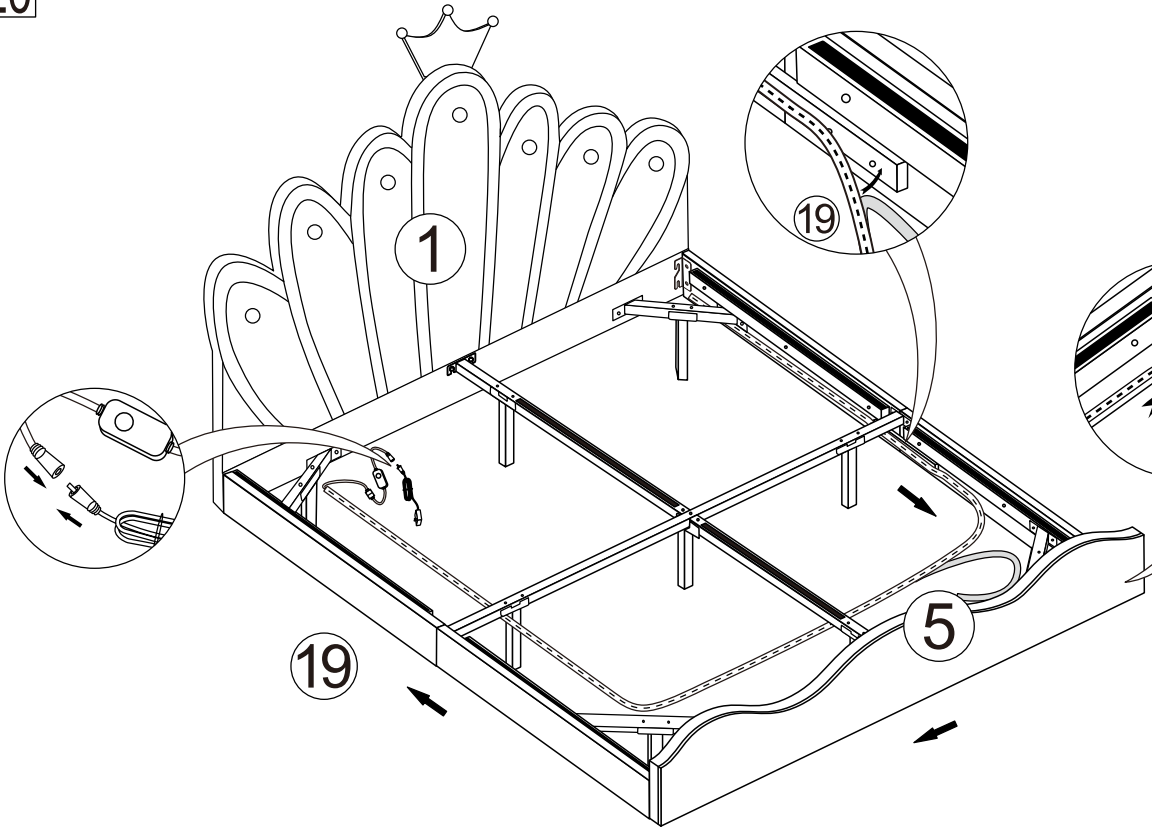
	(C) x 2PCS
	(I) x 1PC


19



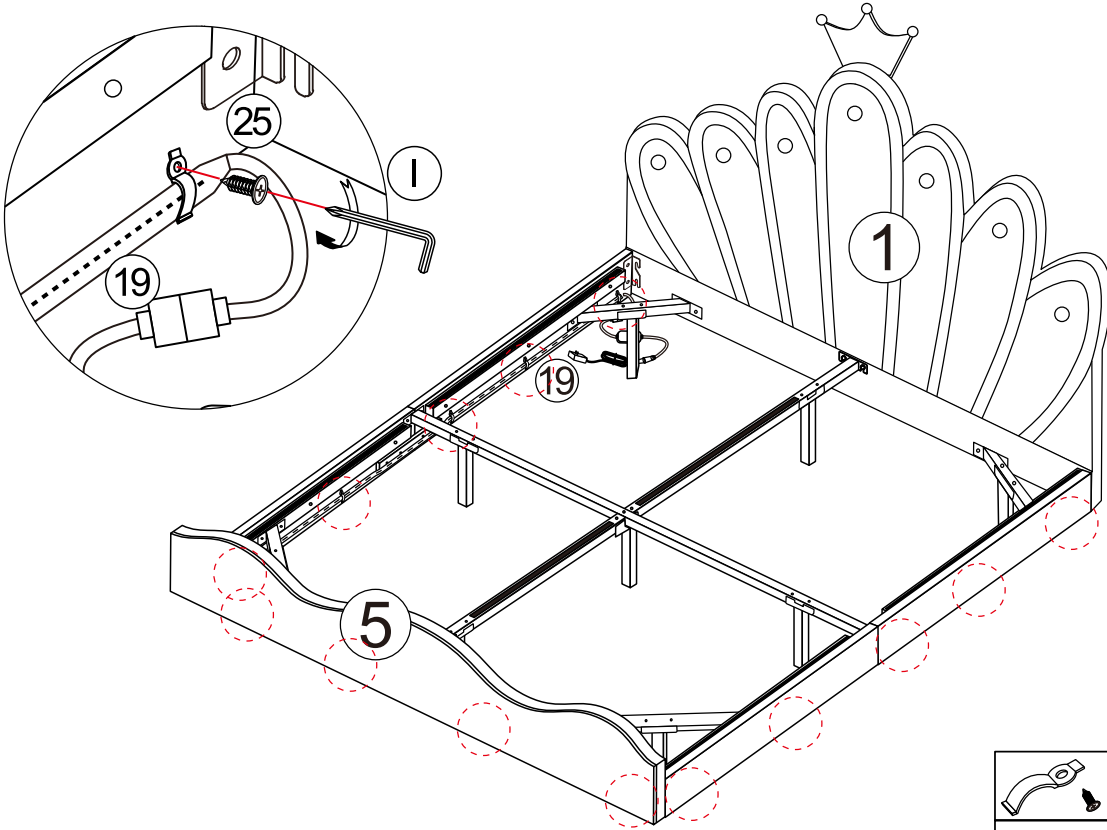
 ⑩ x 1PC



20



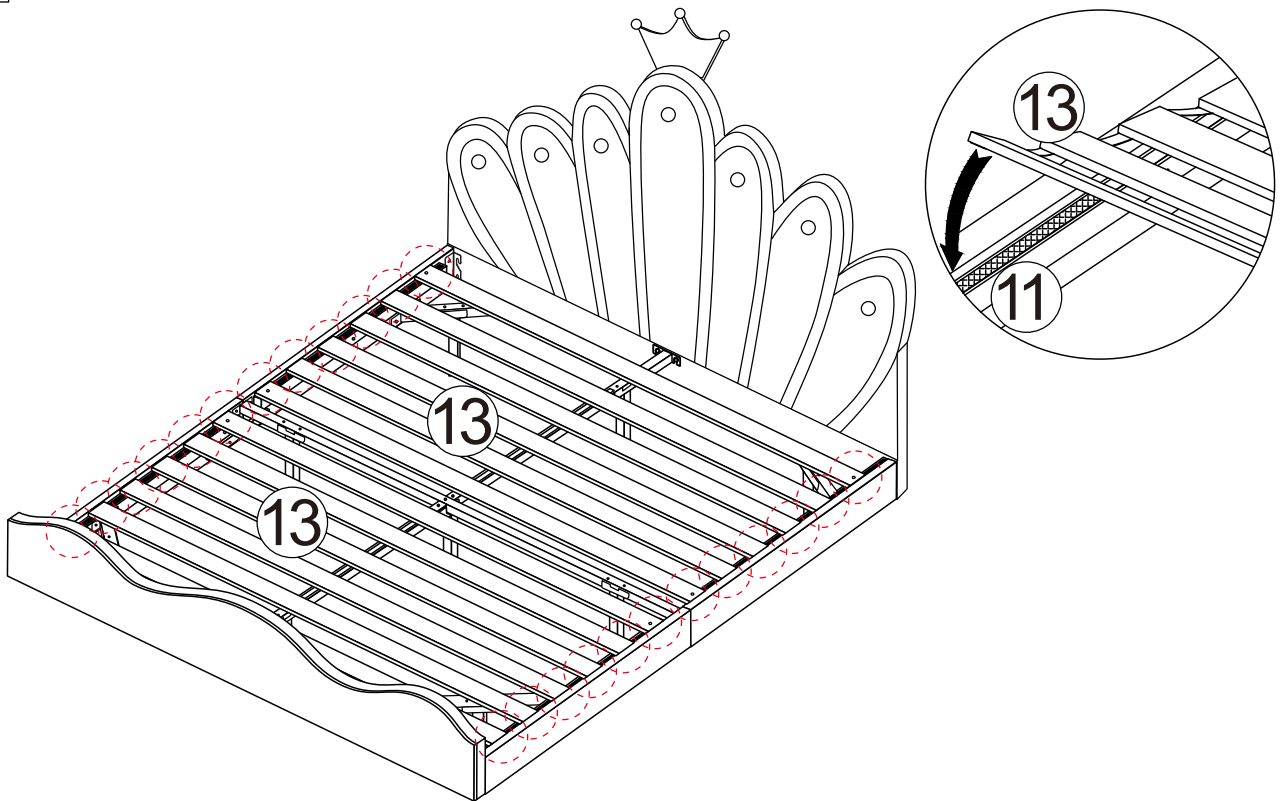
 ⑩ x 1PC

21

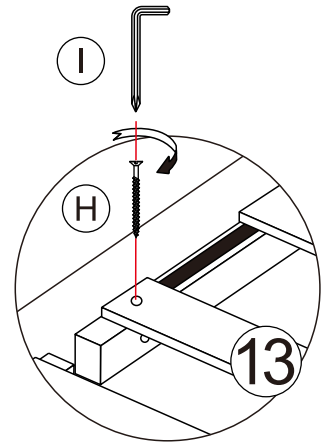
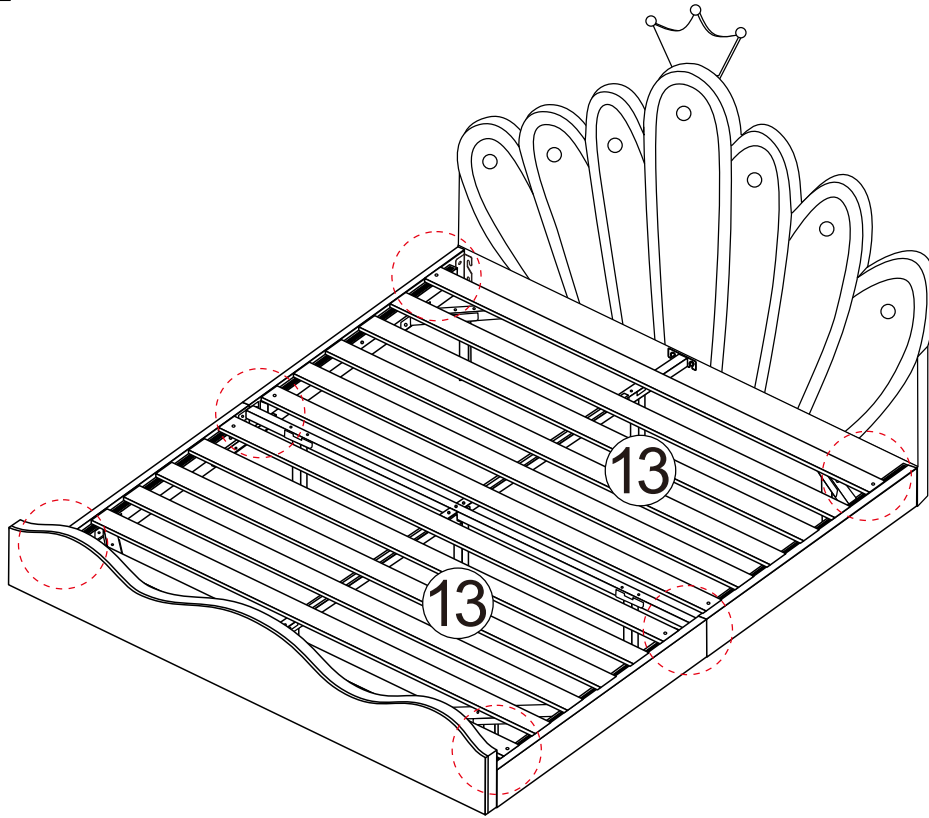


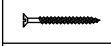

	(25) x 14PCS
	(1) x 1PC

22



23



	(H) x 8PCS
	(I) x 1PC

