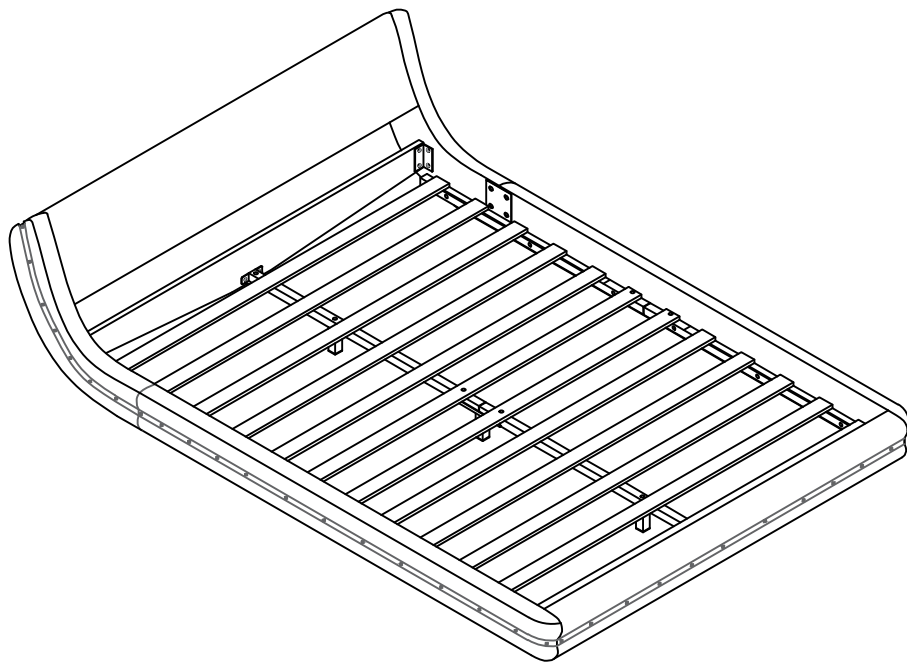
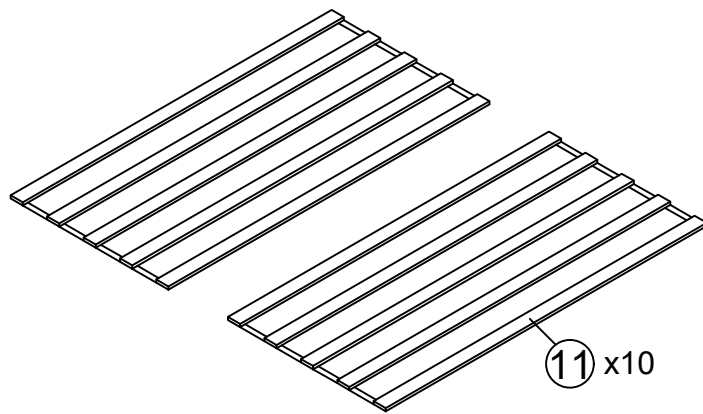
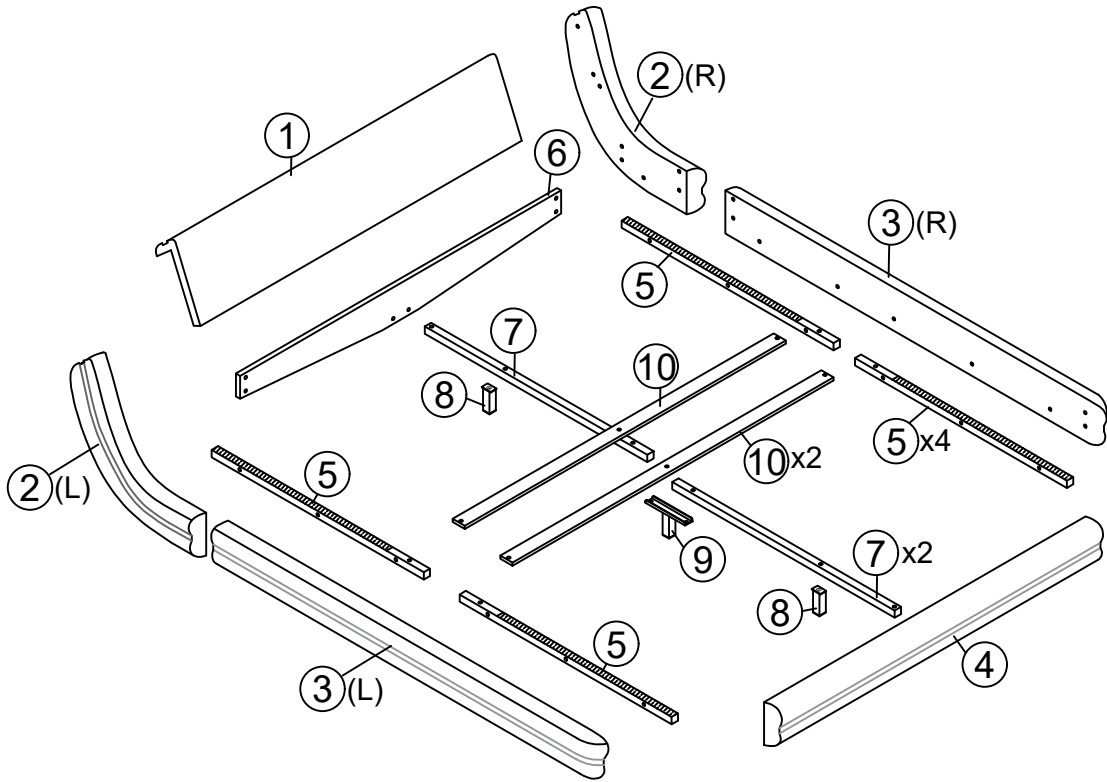


ASSEMBLY INSTRUCTION



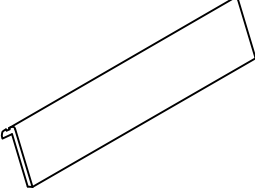
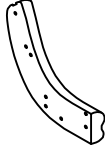
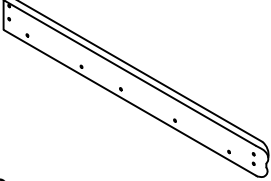
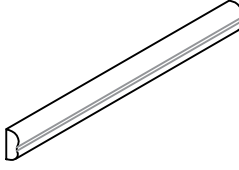
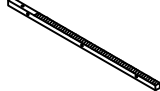
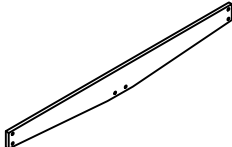



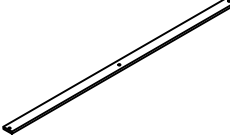
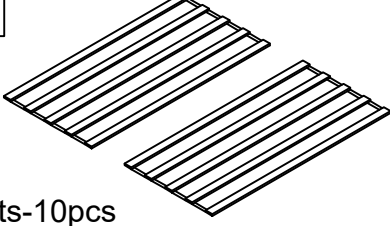
WF317796

Detail View






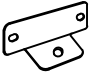


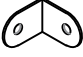




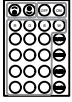


Part List

WF317796



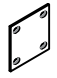
<p>1</p>  <p>Head board-1pc</p>	<p>2</p>  <p>Siderails-2pcs</p>	<p>3</p>  <p>Siderails-2pcs</p>
<p>4</p>  <p>Foot board-1pc</p>	<p>5</p>  <p>Side rails support bar-4pcs</p>	<p>6</p>  <p>Cross board-1pc</p>
<p>7</p>  <p>Center support bar-2pcs</p>	<p>8</p>  <p>Middle support leg-2pcs</p>	<p>9</p>  <p>Middle support leg-1pc</p>
<p>10</p>  <p>Cross bar-2pcs</p>	<p>11</p>  <p>Slats-10pcs</p>	

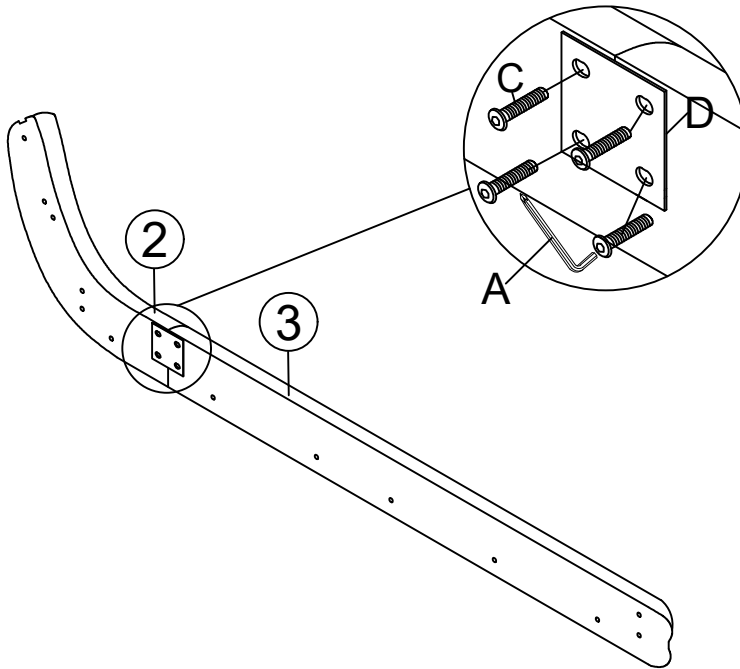
Hardware List

A  20*70mm	B  Ø8*45mm	C  Ø8*18mm
Allen Key(1pc) Bolts(18pcs) Bolts(40pcs)		
D 	E  77*33**33*3mm	F  28*32*86*2mm
Four hole iron(2pcs) "7" Connector(6pcs) Center support bar fittings(2pcs)		
G  H:30mm	H  Ø4*50mm	I 
Bed legs(6pcs) Nails(6pcs) Little "7" Connector(2pcs)		
J  Ø8*25mm	K 	L 
Bolts(4pcs) LED(1pc) Color controller(1pc)		
M 	N 	
Power adapter(1pc) Emote control(1pc)		



Remark: We recommend you assemble your bed in the flat ground.

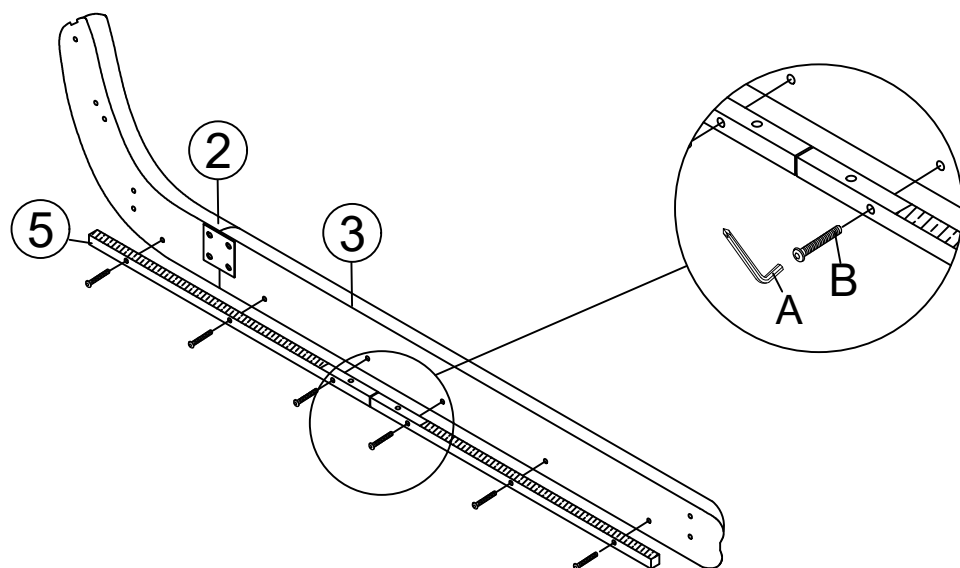
Step 1 x2

A		C	 M8X18mm	D	
			8PCS		2PCS





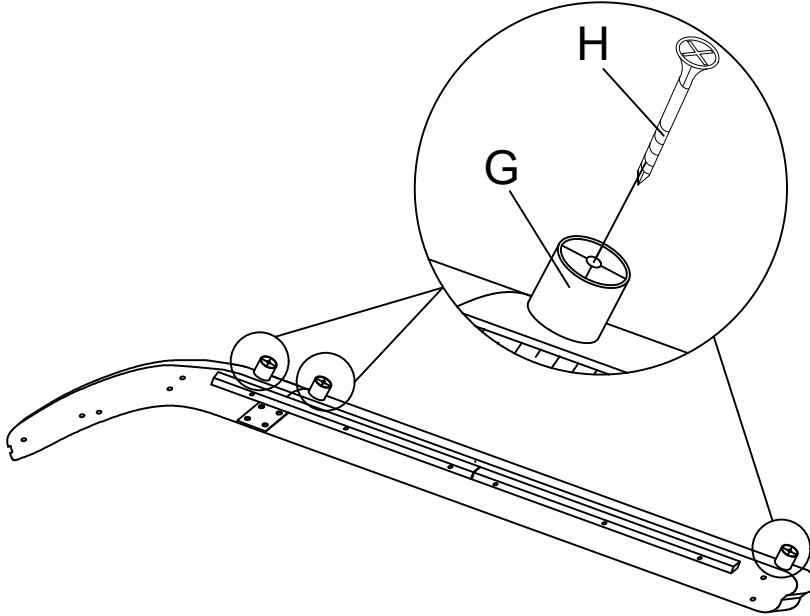
Step 2 x2

A		B	 M8X45mm
			12PCS






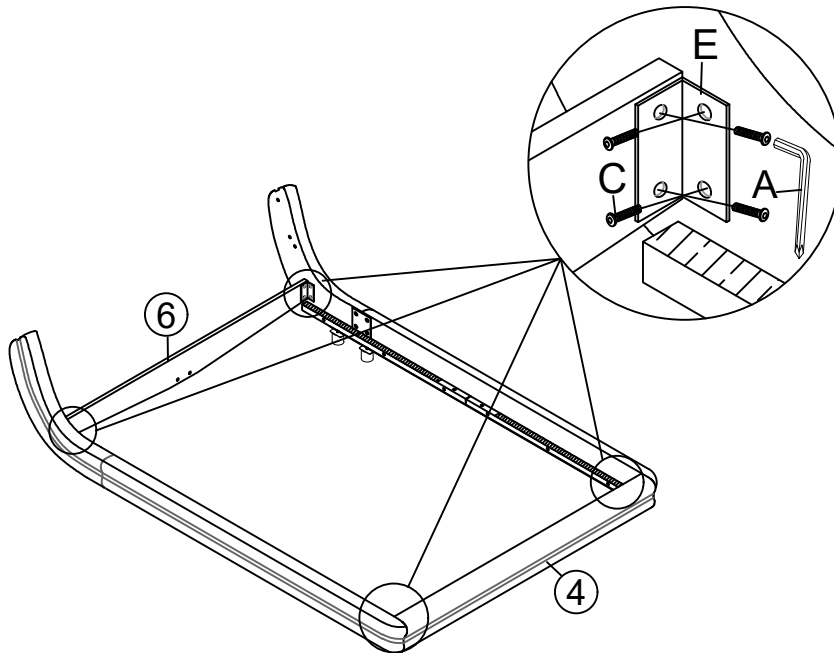
Step 3X2

G		H	
	H:30mm		Ø4*50mm
	6PCS		6PCS




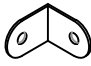


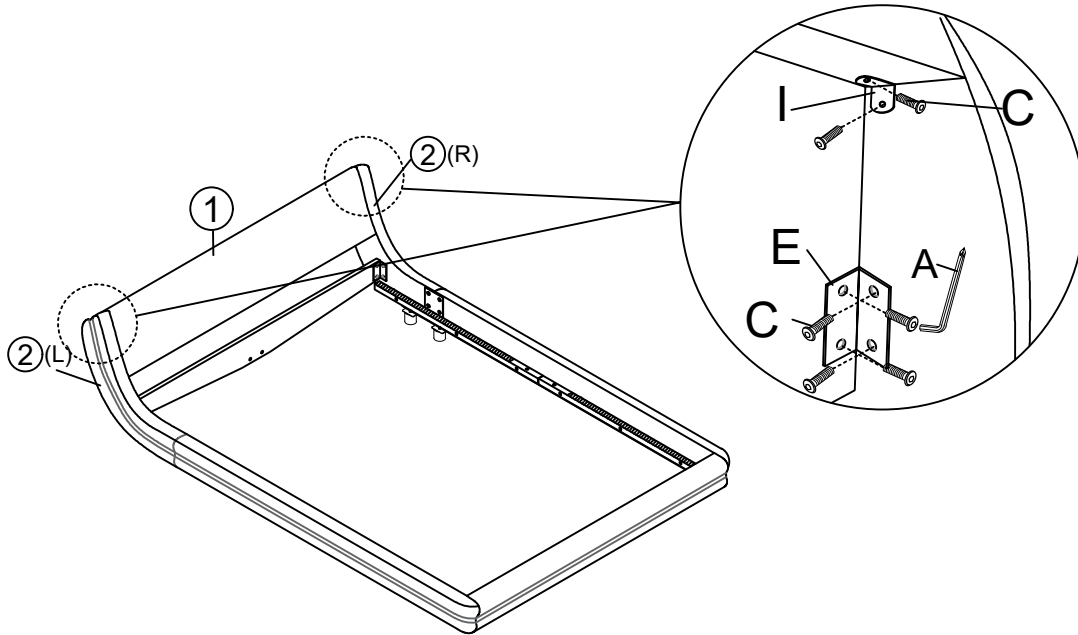
Step 4

A		C		E	
			M8X18mm		
			16PCS		4PCS


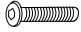



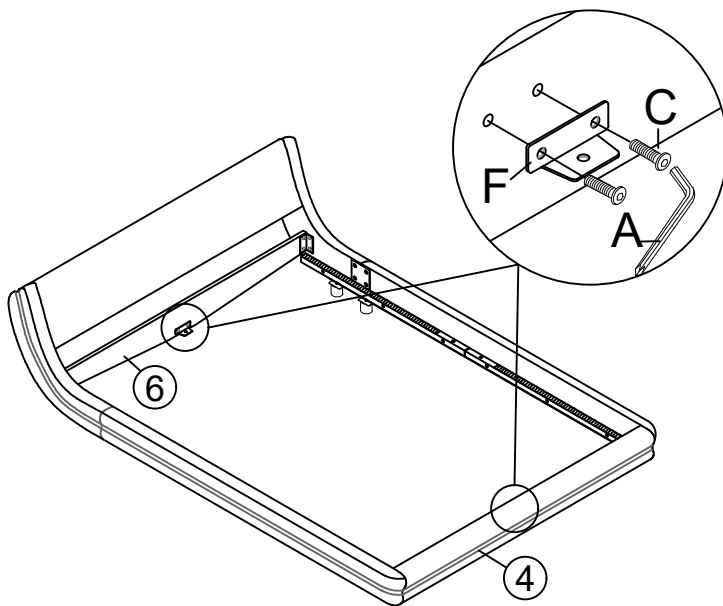
Step 5

A 	C  M8X18mm 12PCS	E  2PCS	I  2PCS
---	--	---	---

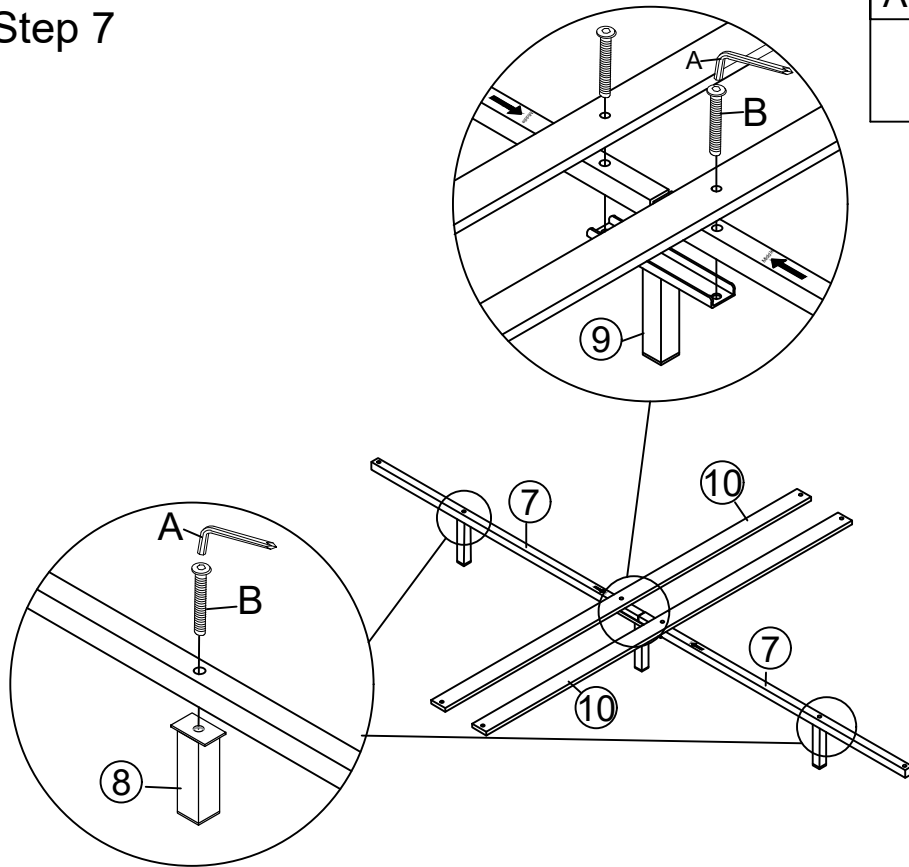




Step 6

A 	C  M8X18mm 4PCS	F  2PCS
--	--	---

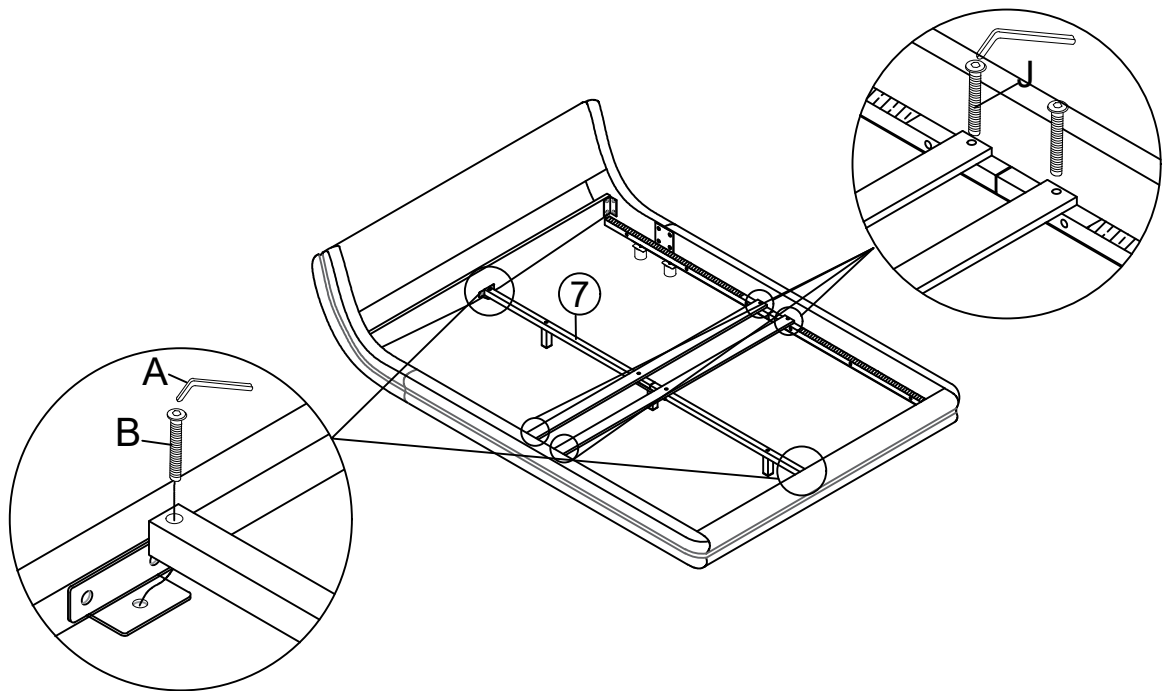





Step 7



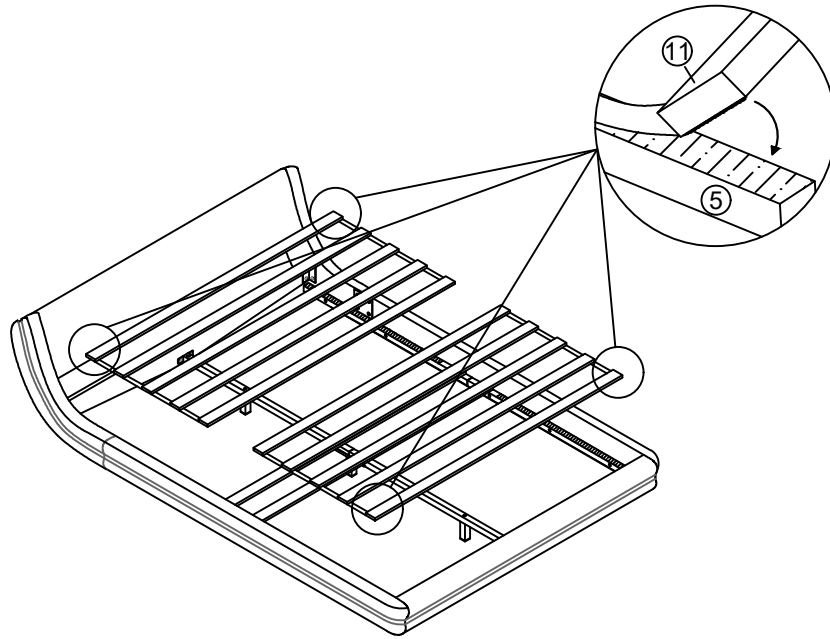
A 	B  M8X45mm 4PCS
---	---

Step 8

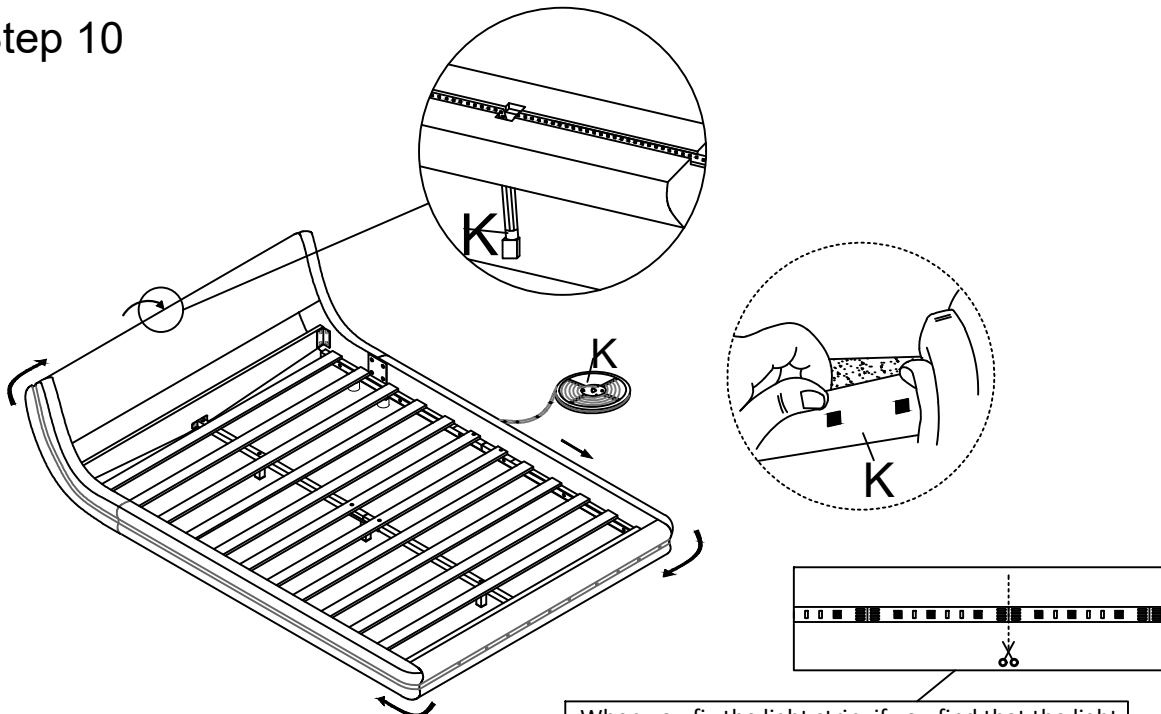


A 	B  M8X45mm 2PCS	J  M8X25mm 4PCS
--	---	---

Step 9

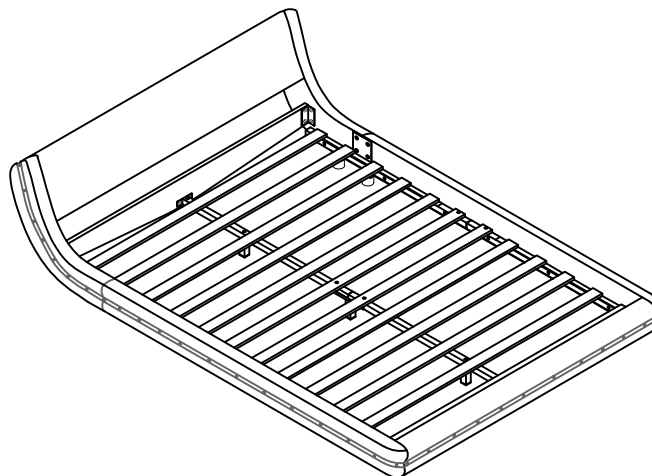
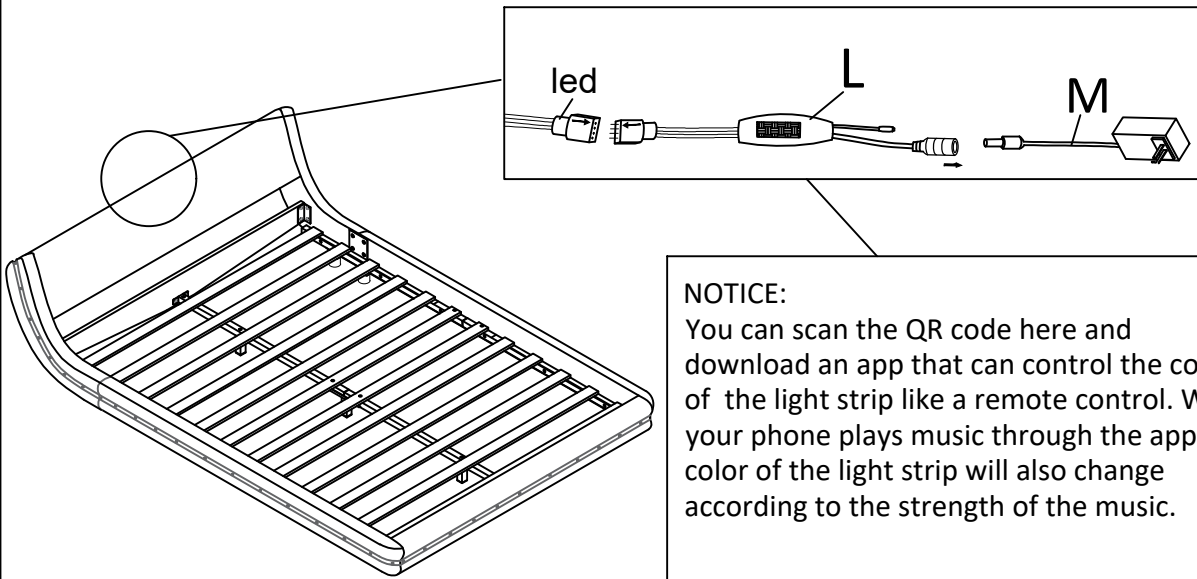


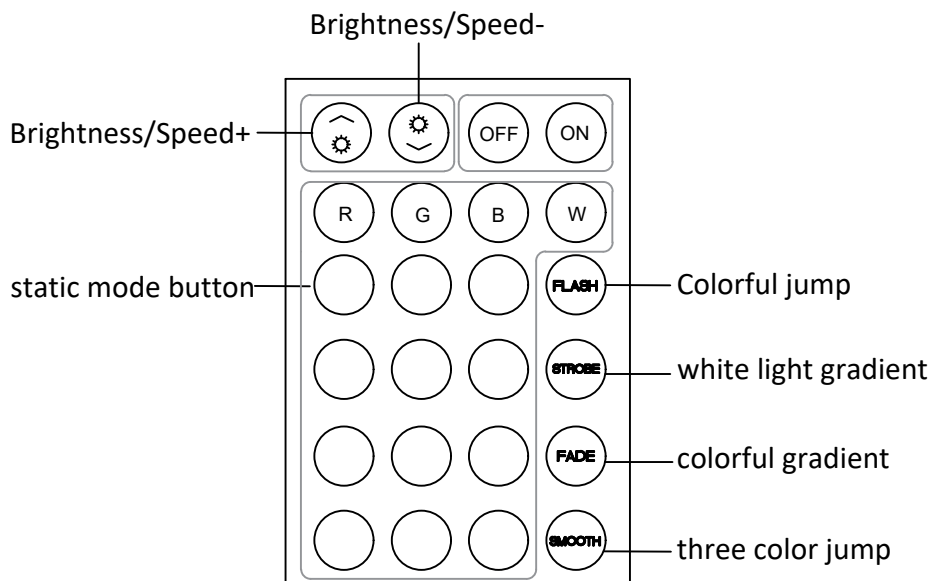
Step 10



When you fix the light strip, if you find that the light strip is a little longer, you can cut it off yourself with scissors. Remember to cut it from the indicated place when cutting. Of course, you can also choose not to cut it.

Step 11





NOTICE:

When you use the remote control board to control the color of the light, Please remove the clear plastic card first, then please be sure to point the remote control at the color controller I.