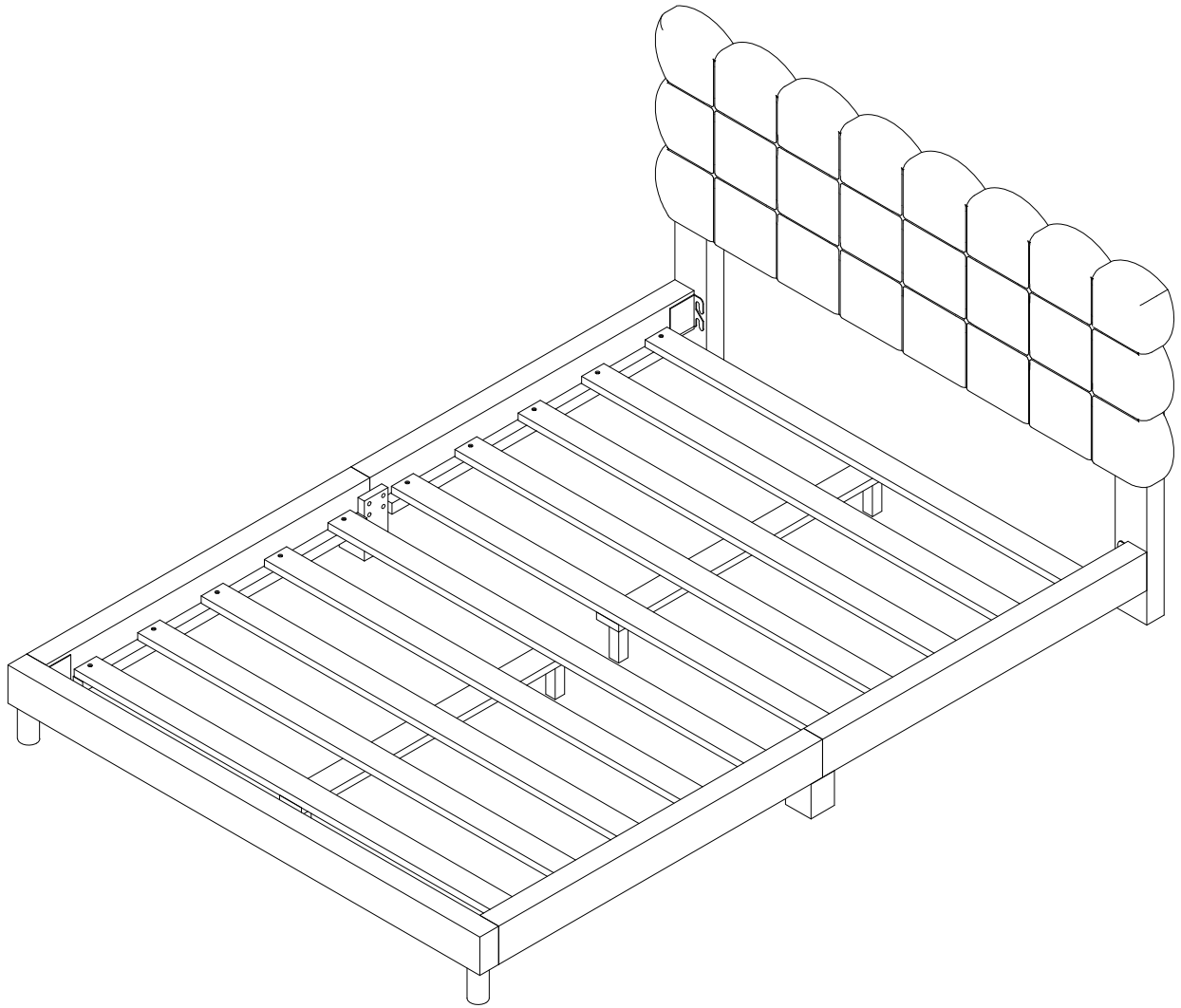
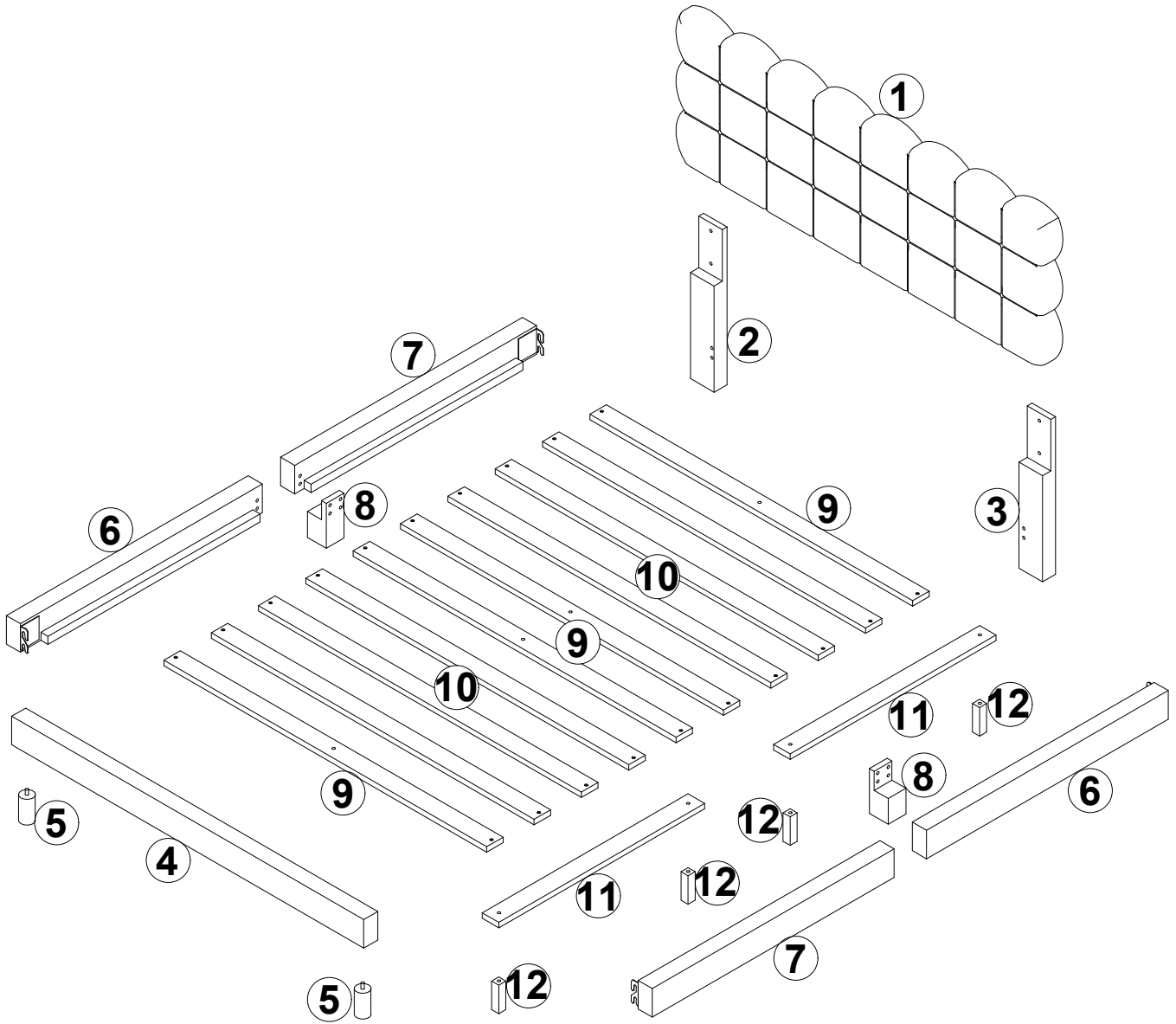


ASSEMBLY INSTRUCTION

SKU CODE: WF313345/WF313346



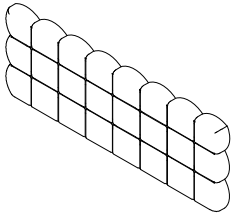
Detail :



Identifying the Hardware - Identify the hardware using the illustrations below.

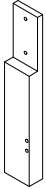
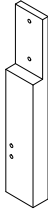
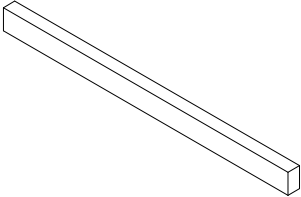

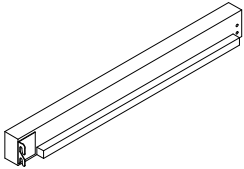
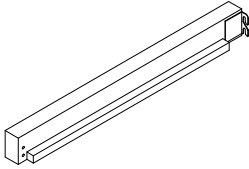
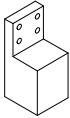
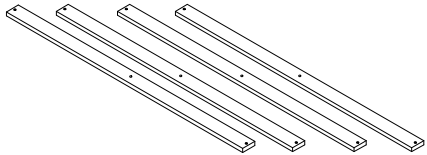
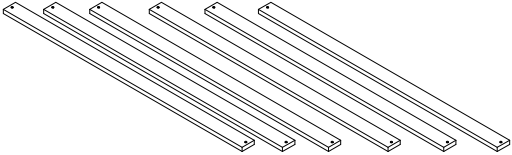
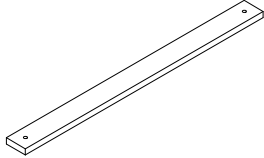

Part Lists: **WF313345**

① x 1

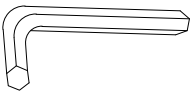
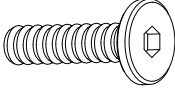
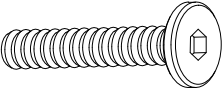


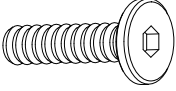


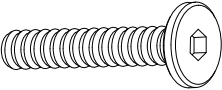
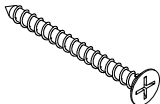


Headboard

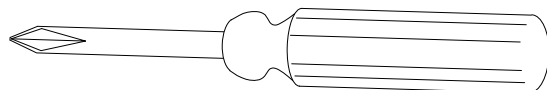
Part Lists: **WF313346**

<p>② x 1</p>  <p>Headboard left leg</p>	<p>③ x 1</p>  <p>Headboard right leg</p>
<p>④ x 1</p>  <p>Footboard</p>	<p>⑤ x 2</p>  <p>Footboard leg</p>
<p>⑥ x 2</p>  <p>Side rail 2</p>	<p>⑦ x 2</p>  <p>Side rail 2</p>
<p>⑧ x 2</p>  <p>Side rail support leg</p>	<p>⑨ x 4</p>  <p>Bed slat 1</p>
<p>⑩ x 6</p>  <p>Bed slat 2</p>	<p>⑪ x 2</p>  <p>Center crossbar</p>
<p>⑫ x 4</p>  <p>Center support leg</p>	

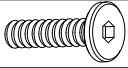



Hardware Lists: (WF313346)

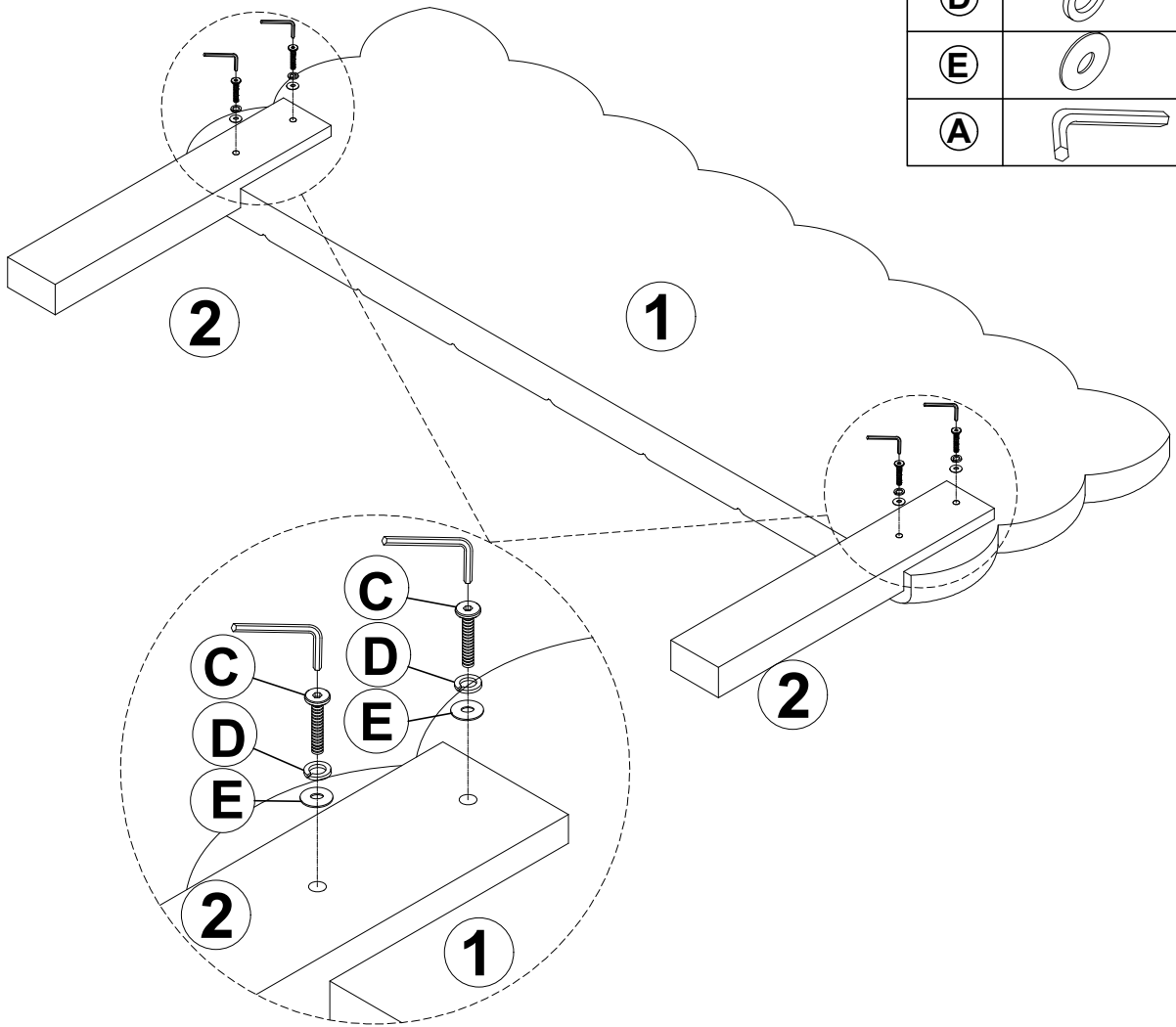
NO.	OUTLOOK	DESC	QTY
A		Allen key 60*22*4mm	1pc
B		Bolts Ø5/16" x 20mm	8pcs
C		Bolts Ø5/16" x 40mm	4pcs
D		Spring washer Ø5/16"	12pcs
E		Flat washer Ø5/16"	12pcs
F		Bolts Ø1/4" x 40mm	8pcs
G		Spring washer Ø1/4"	12pcs
H		Flat washer Ø1/4"	12pcs
I		Bolts Ø1/4" x 45mm	4pcs
J		Round head screw #8x30mm	20pcs

ASSEMBLY TOOLS REQUIRED (NOT INCLUDED)

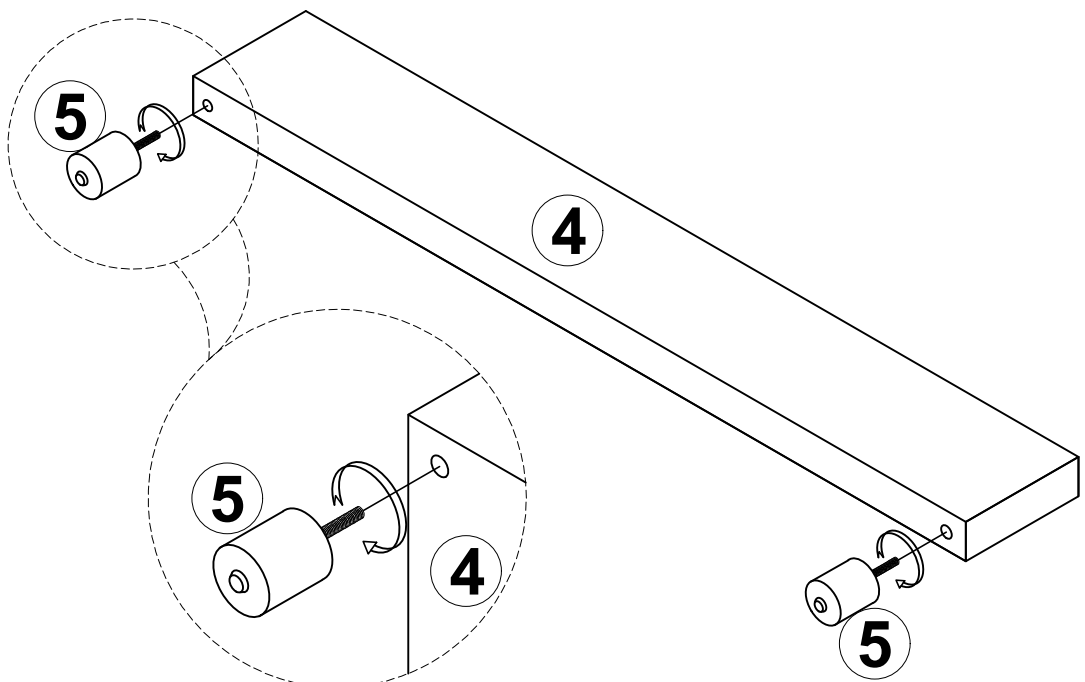


STEP 1

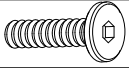



(C)		4PCS
(D)		4PCS
(E)		4PCS
(A)		1PC

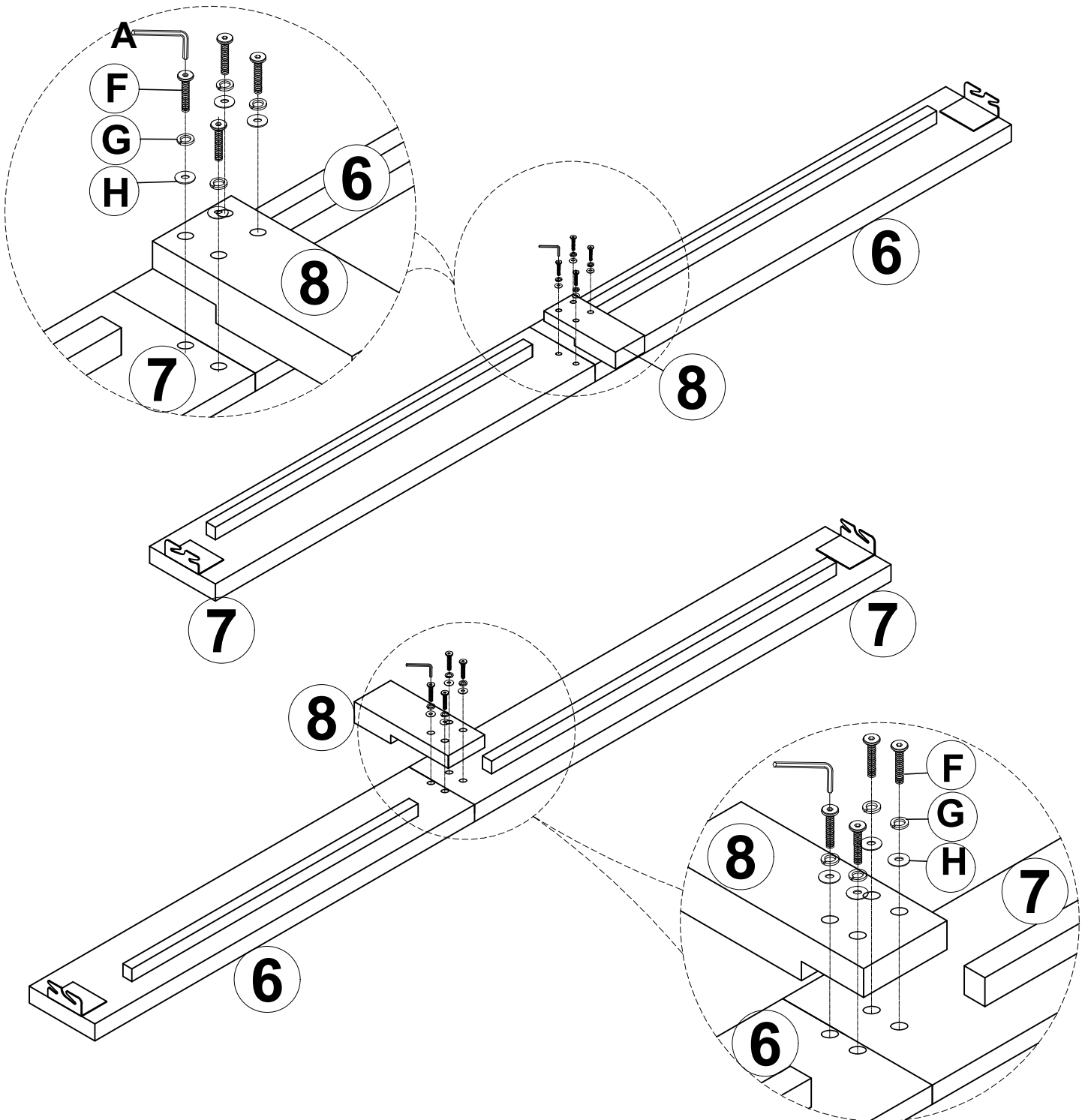


STEP 2

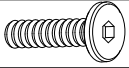





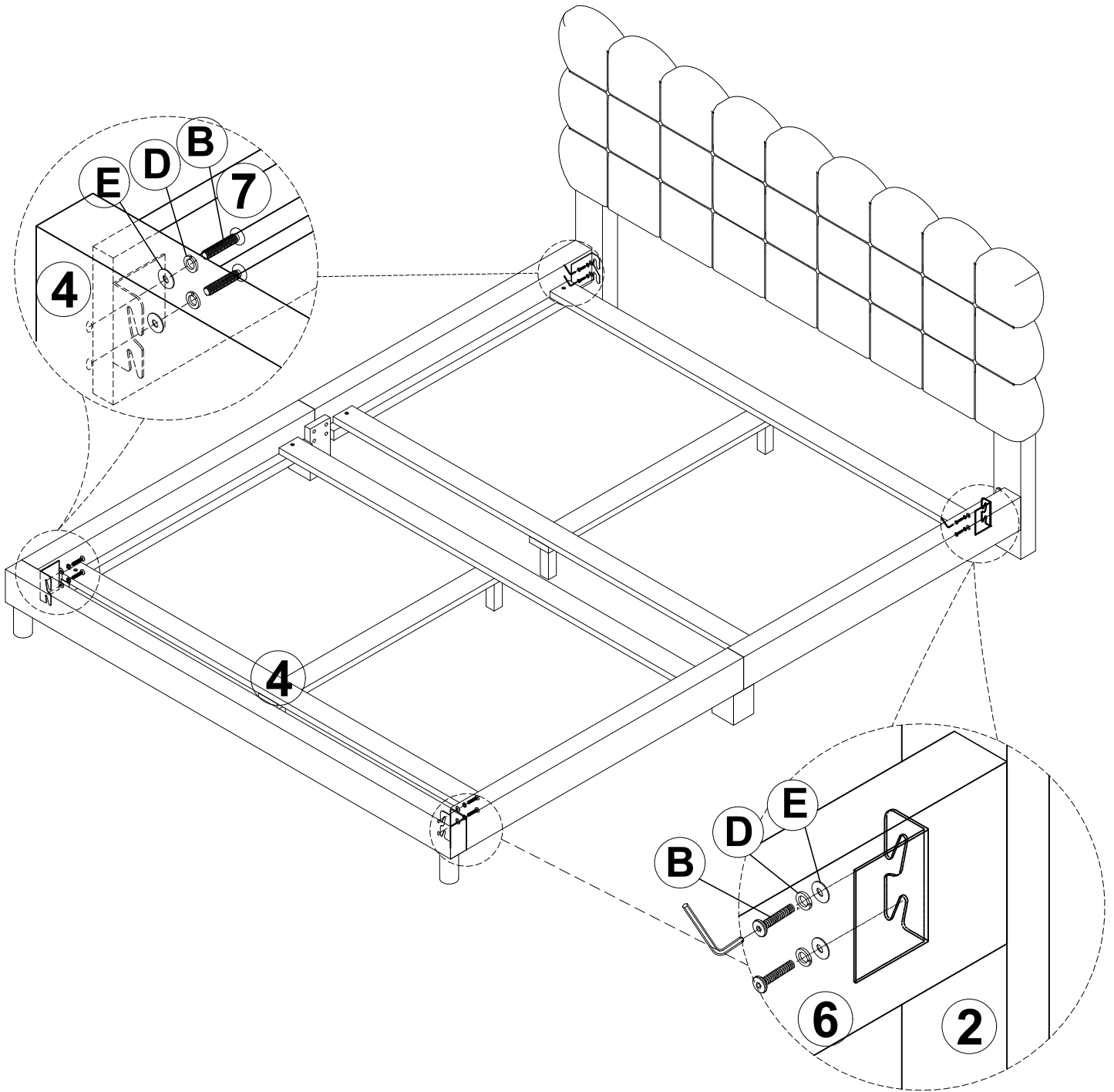
STEP 3

F		8PCS
G		8PCS
H		8PCS
A		1PC

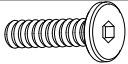





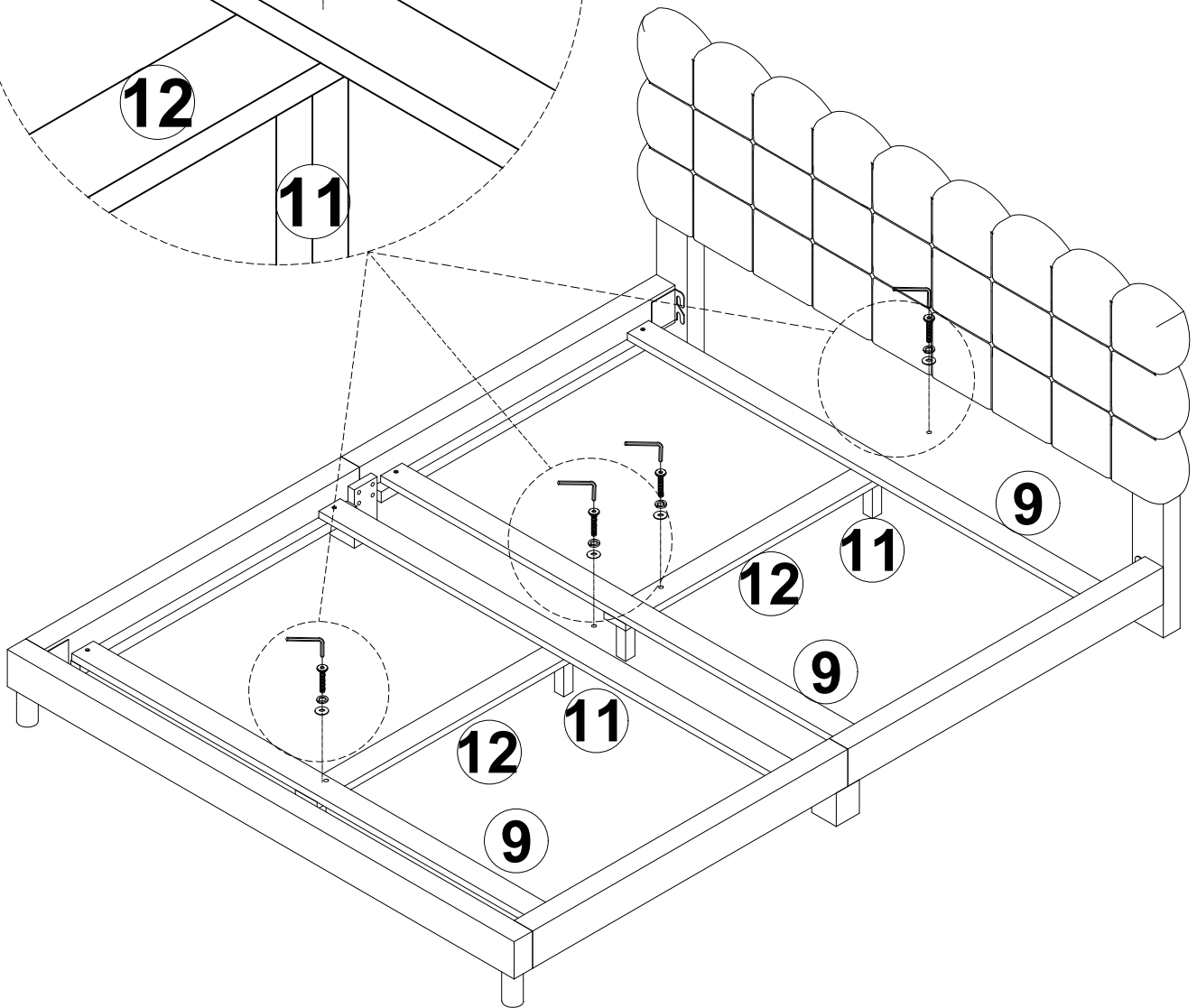
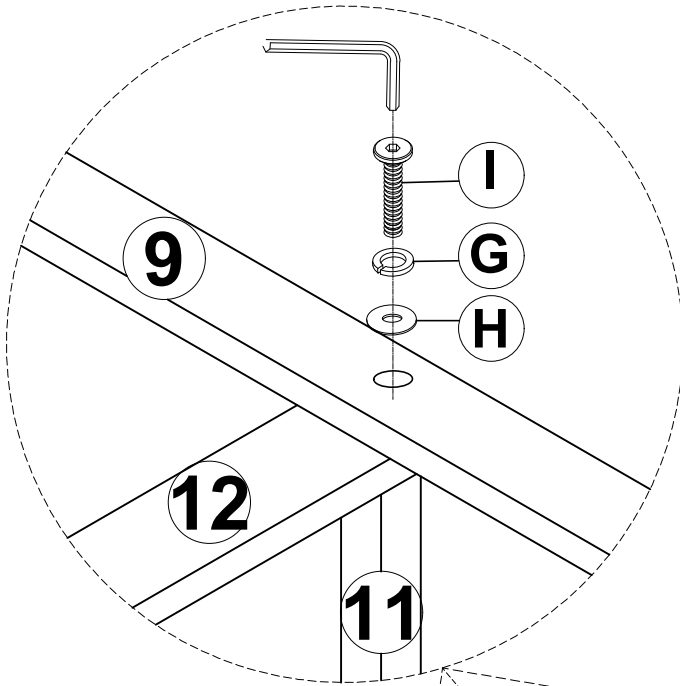
STEP 4

(B)		8PCS
(D)		8PCS
(E)		8PCS
(A)		1PC




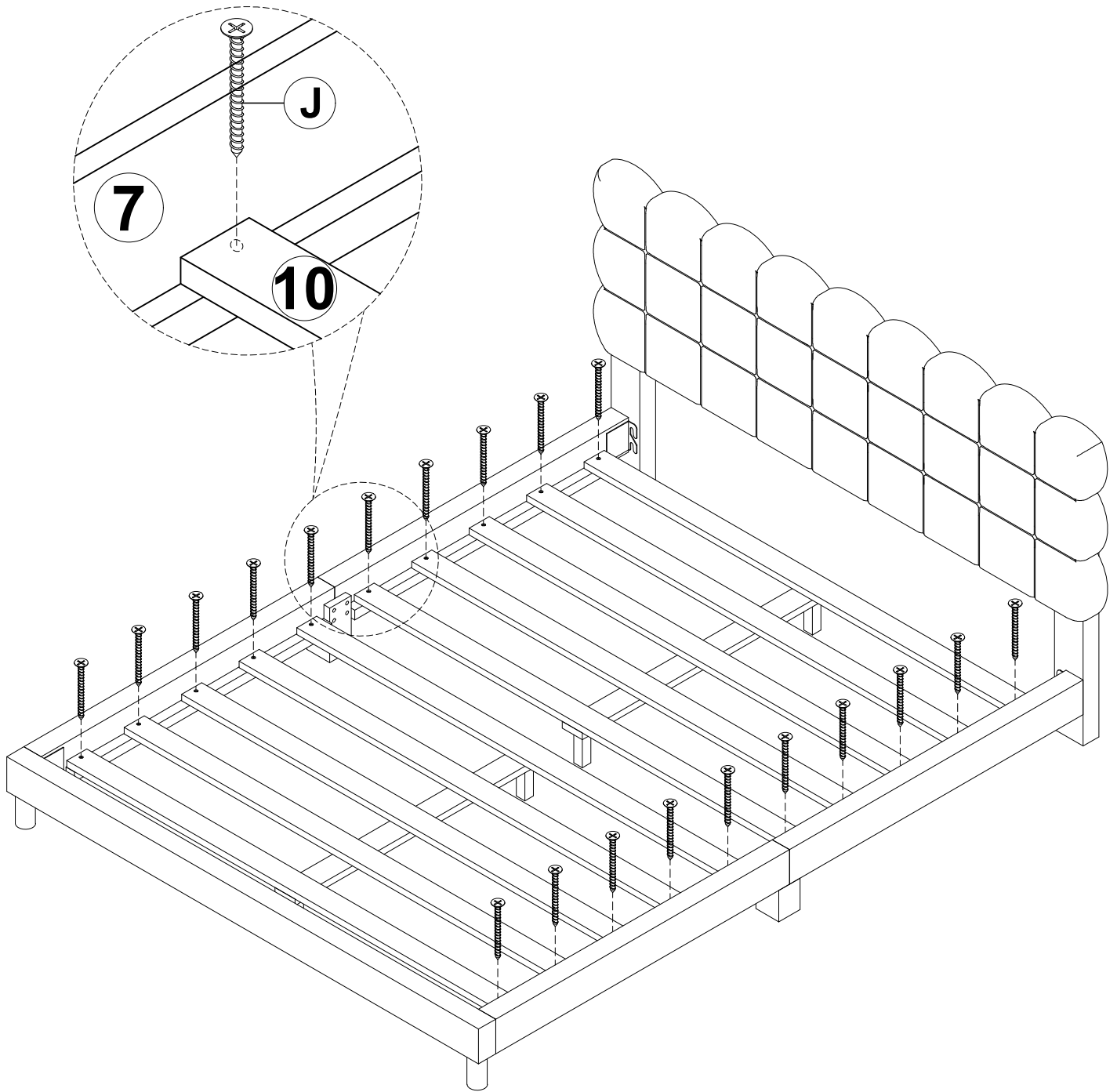
STEP 5

I		4PCS
G		4PCS
H		4PCS
A		1PC



STEP 6

J		20PCS
---	--	-------



STEP 7

