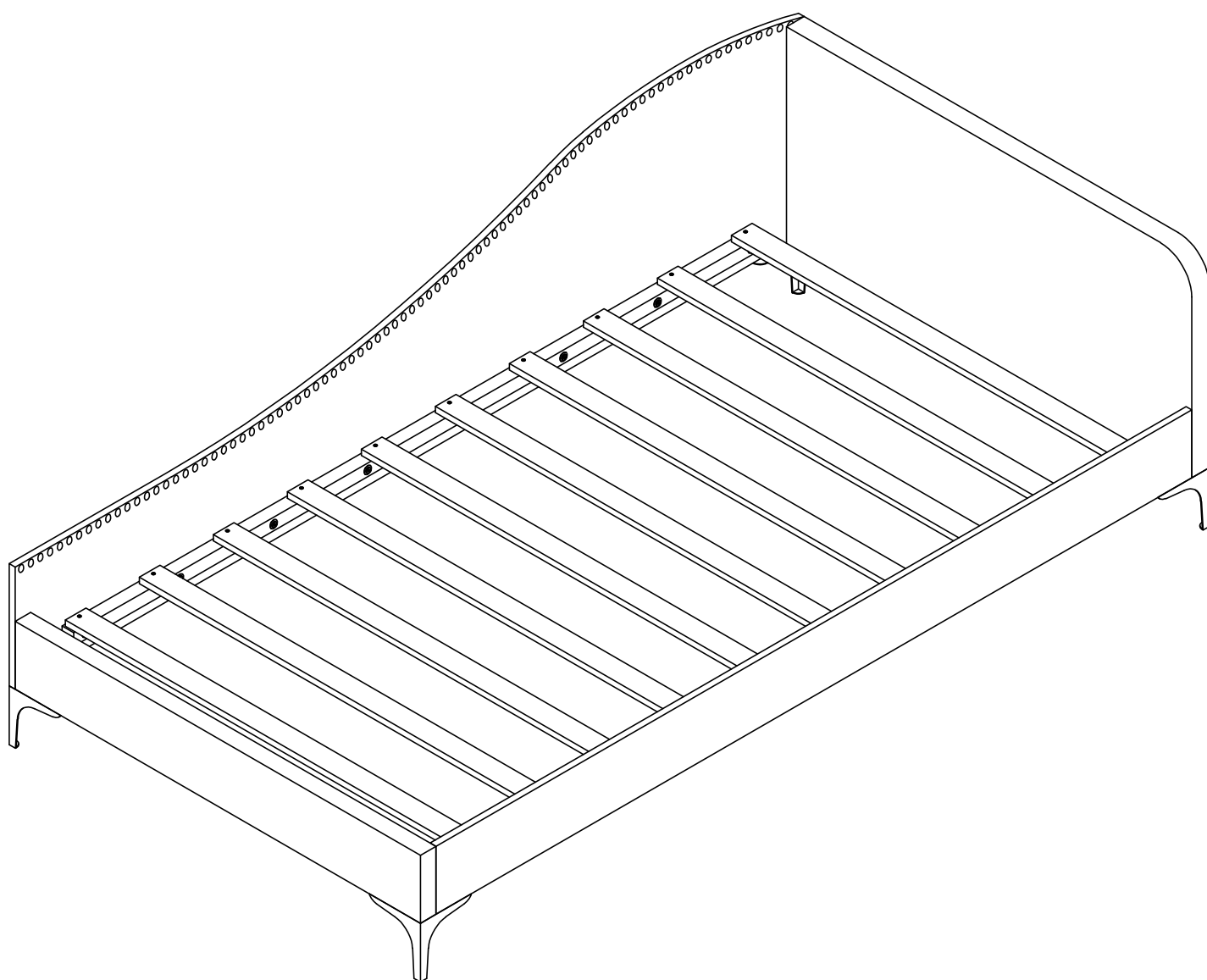
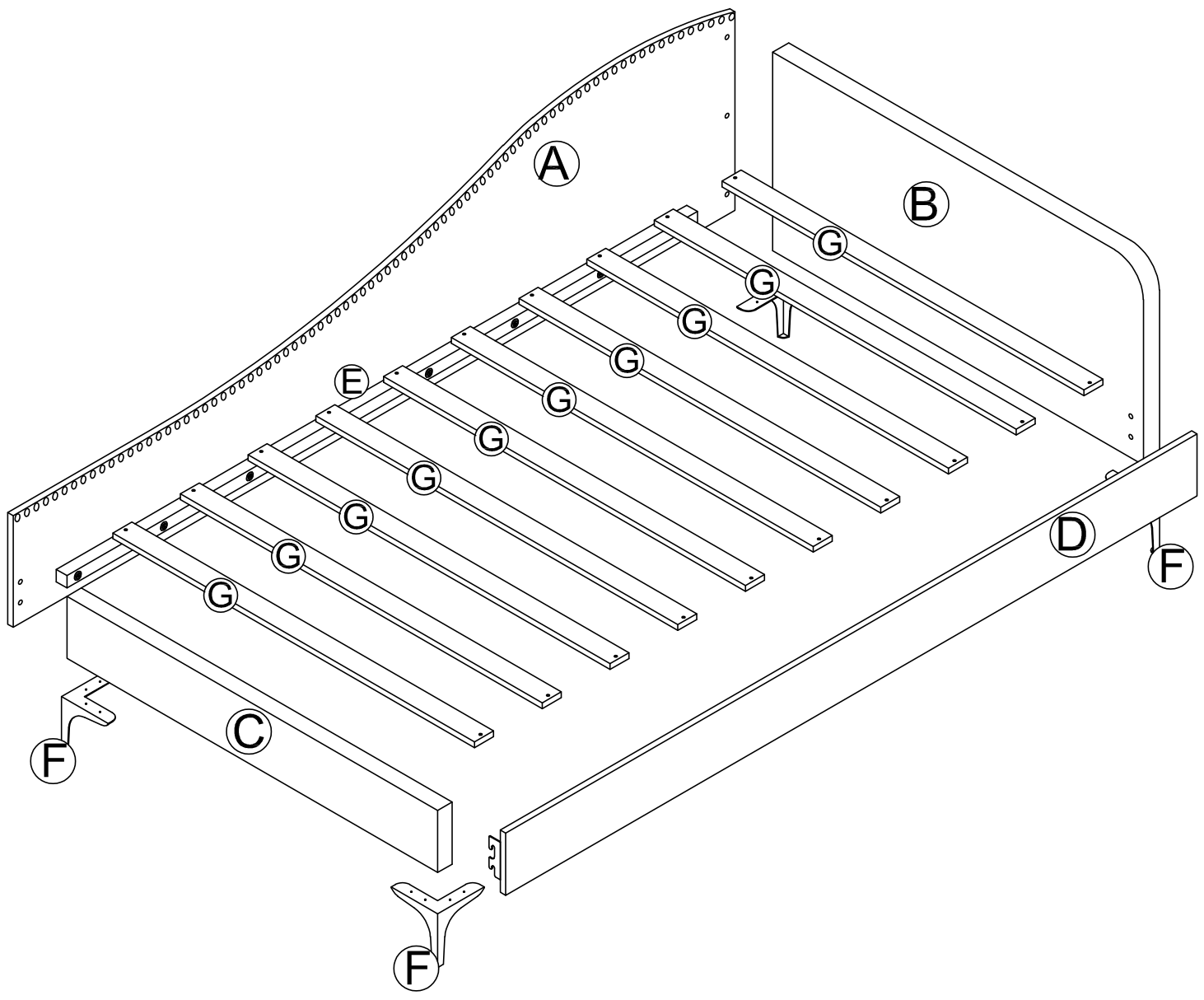


ASSEMBLY INSTRUCTION

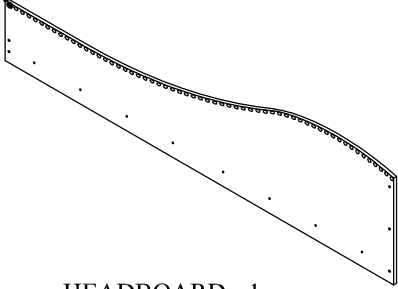
(WF314765/WF314769)





Part List (Box 1- WF314765)

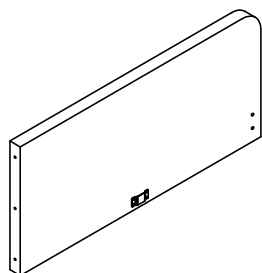
A



HEADBOARD - 1pc

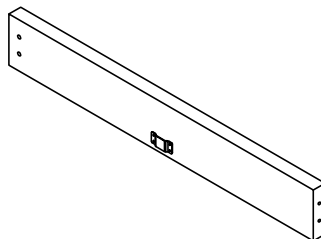
Part List (Box 2-WF314769)

B



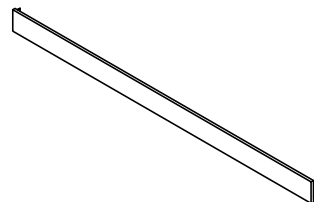
SIDE FRAME BIG - 1pc

C



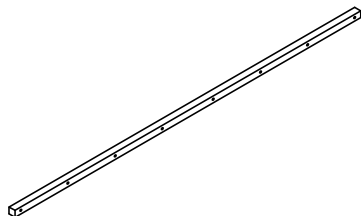
SIDE FRAME SMALL - 1pc

D



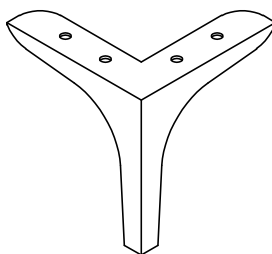
SIDE PANEL - 1pc

E



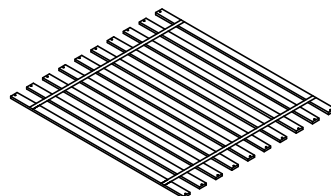
SIDE WOOD BASE - 1pc

F



METAL LEG - 4pcs

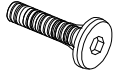
G



SLAT - 1SET/10pcs

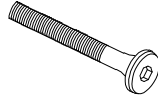
Hardware List (WF314769)

1



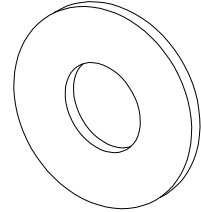
JCBB M8 x 16mm (4 pcs)

2



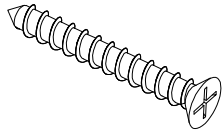
JCBC M6 x 45mm (13 pcs)

3



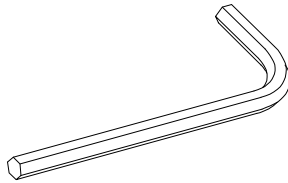
M6 Flat Washer (13pcs)

4



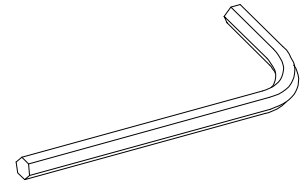
CSK SCREW M4 x 30mm (40pcs)

5

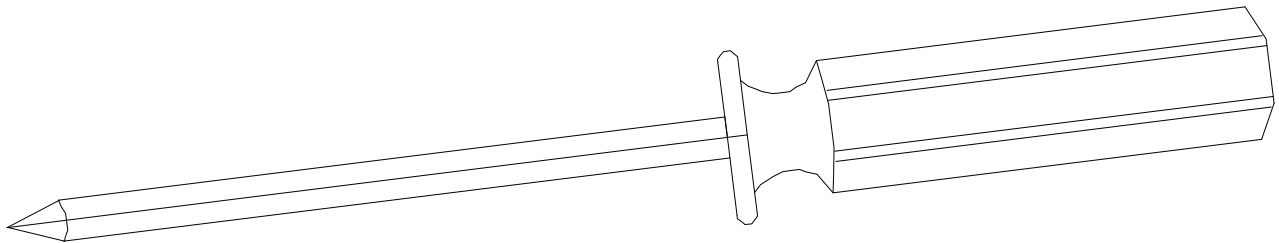


Allen Key M4 (1pc)

6

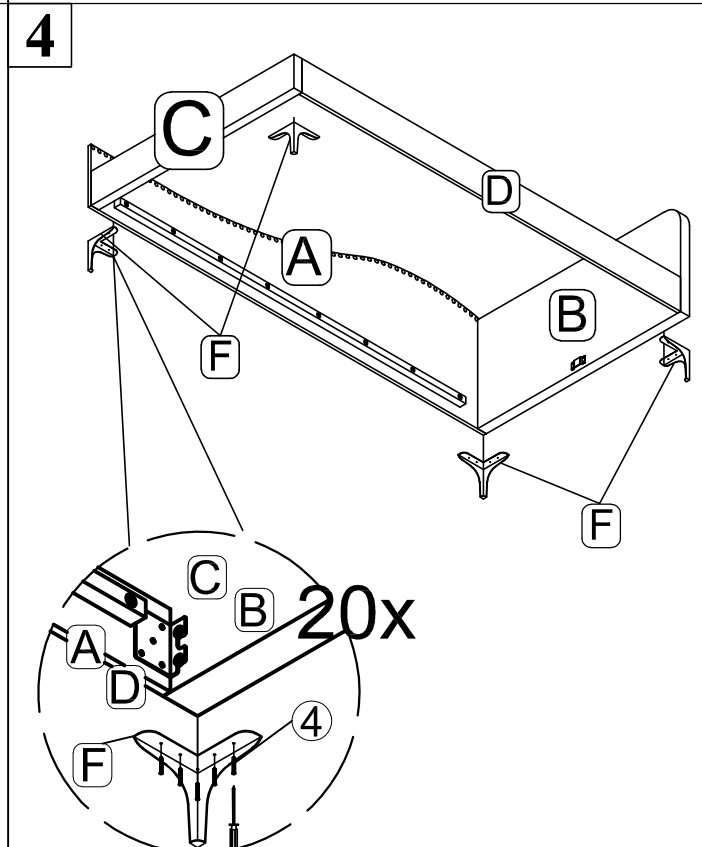
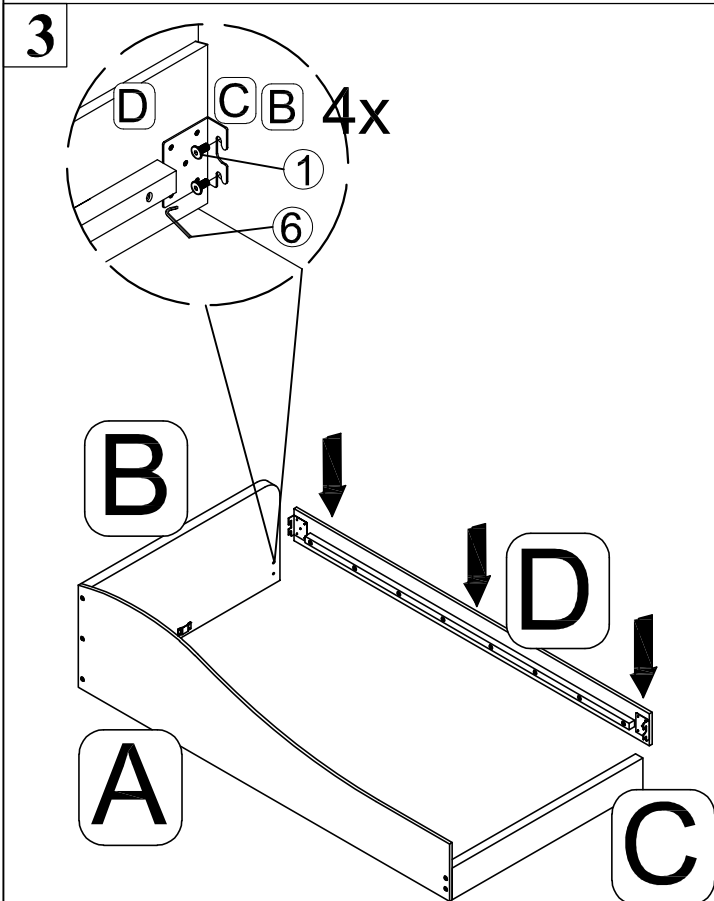
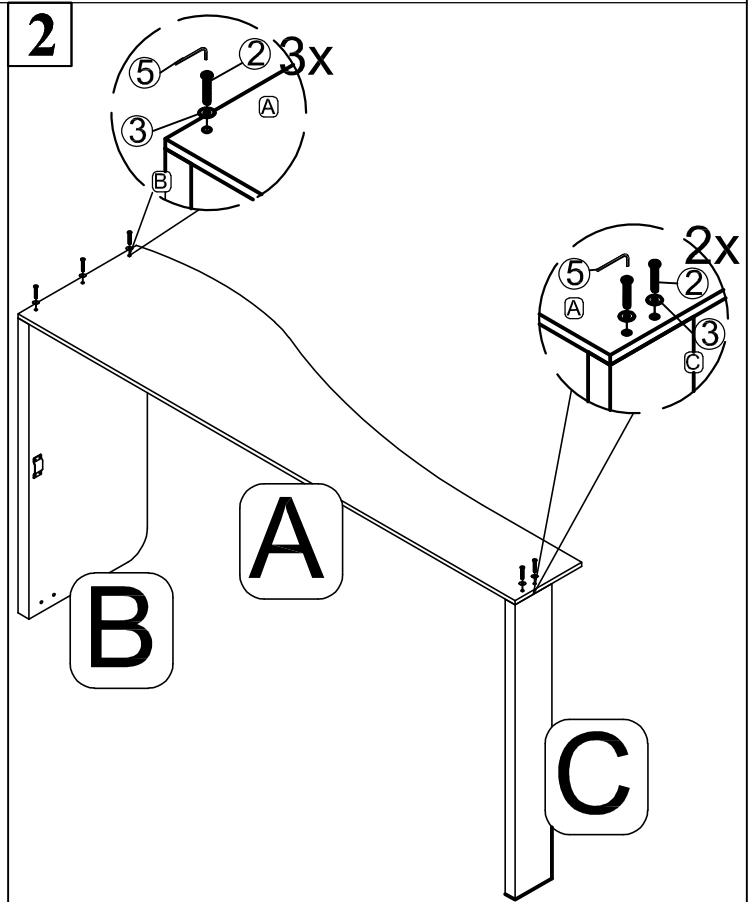
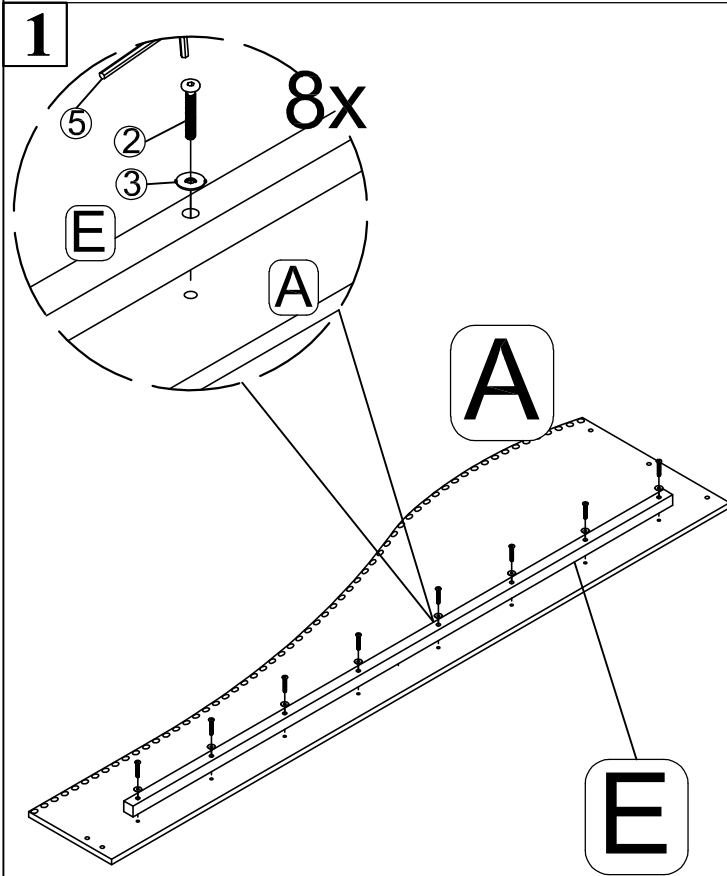


Allen Key M5 (1pc)



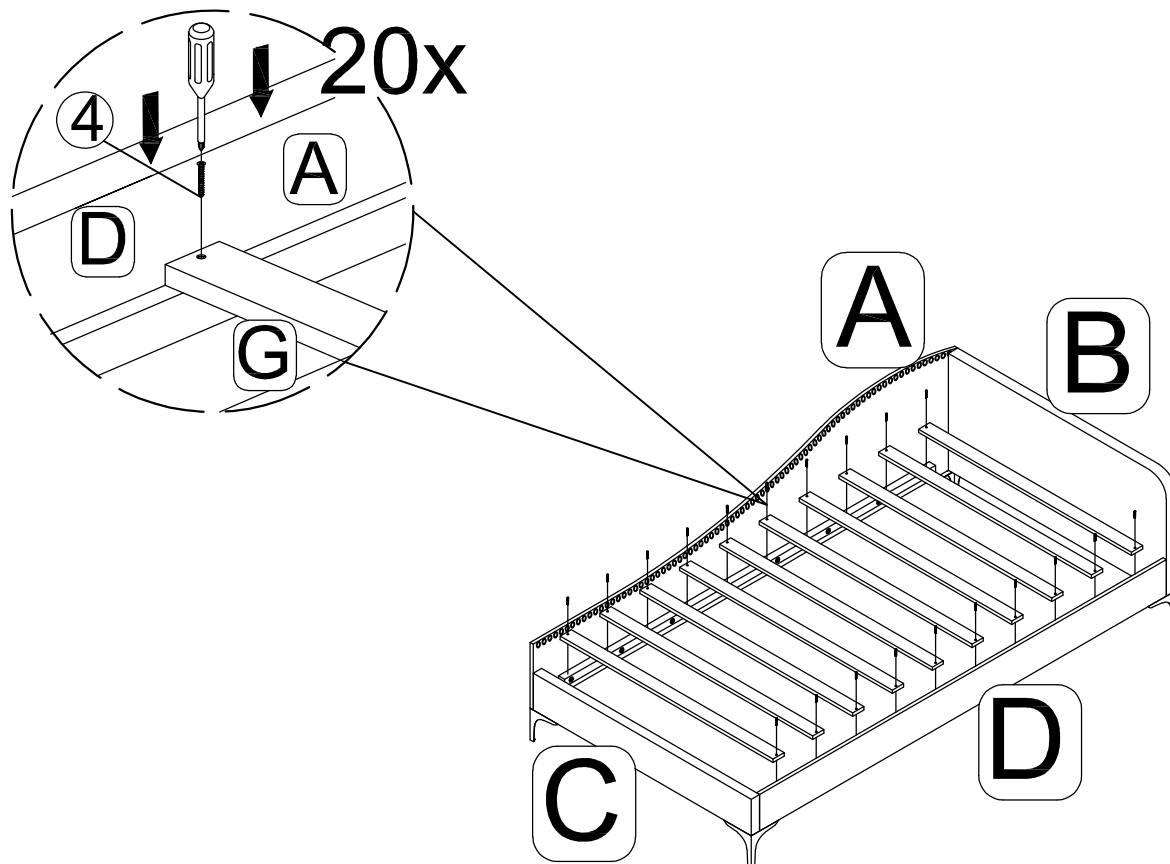
Assembly Tools
Required (Not Included)

Assembly Step



Assembly Step

5



FULLY COMPLETED ASSEMBLY

