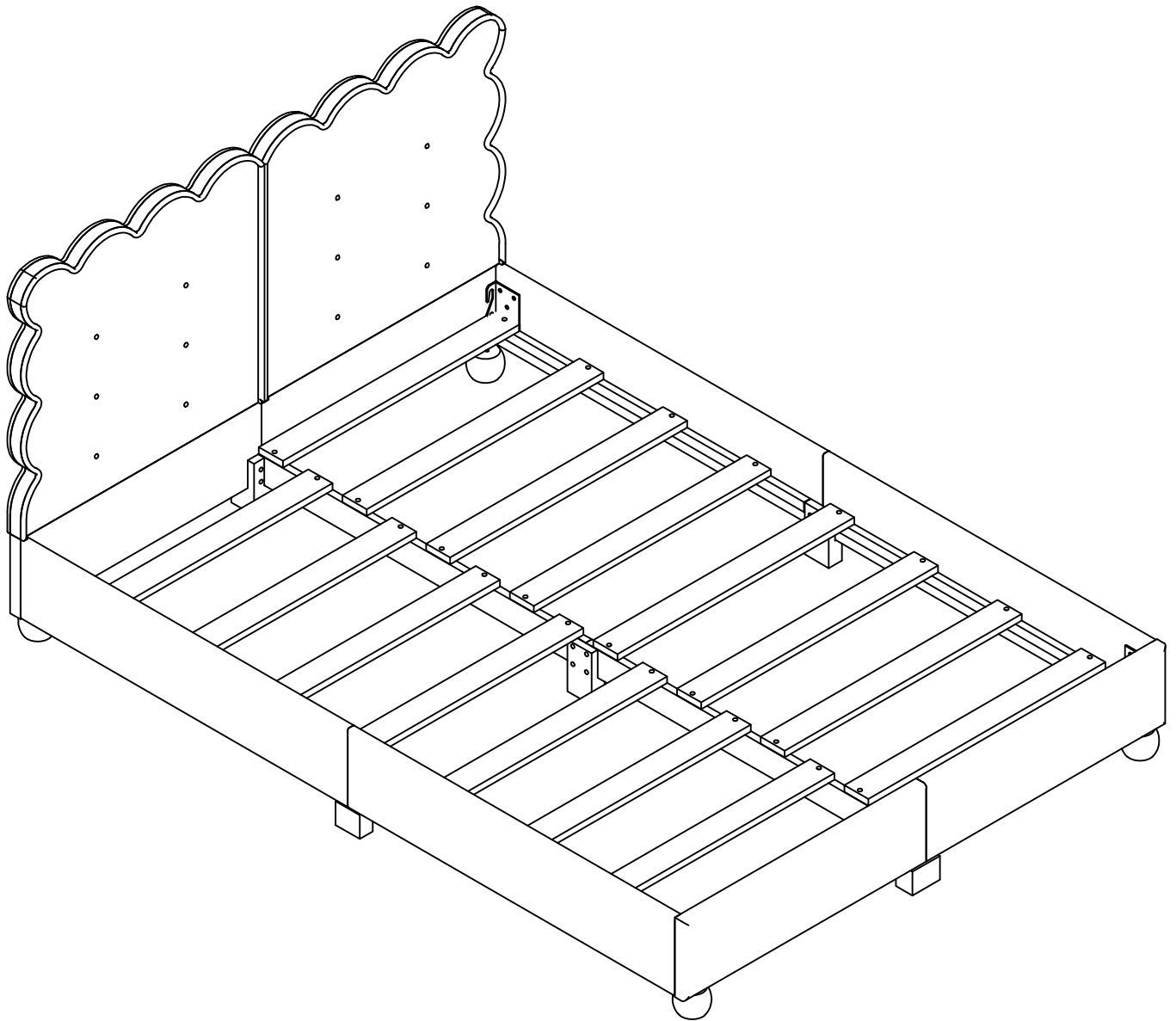


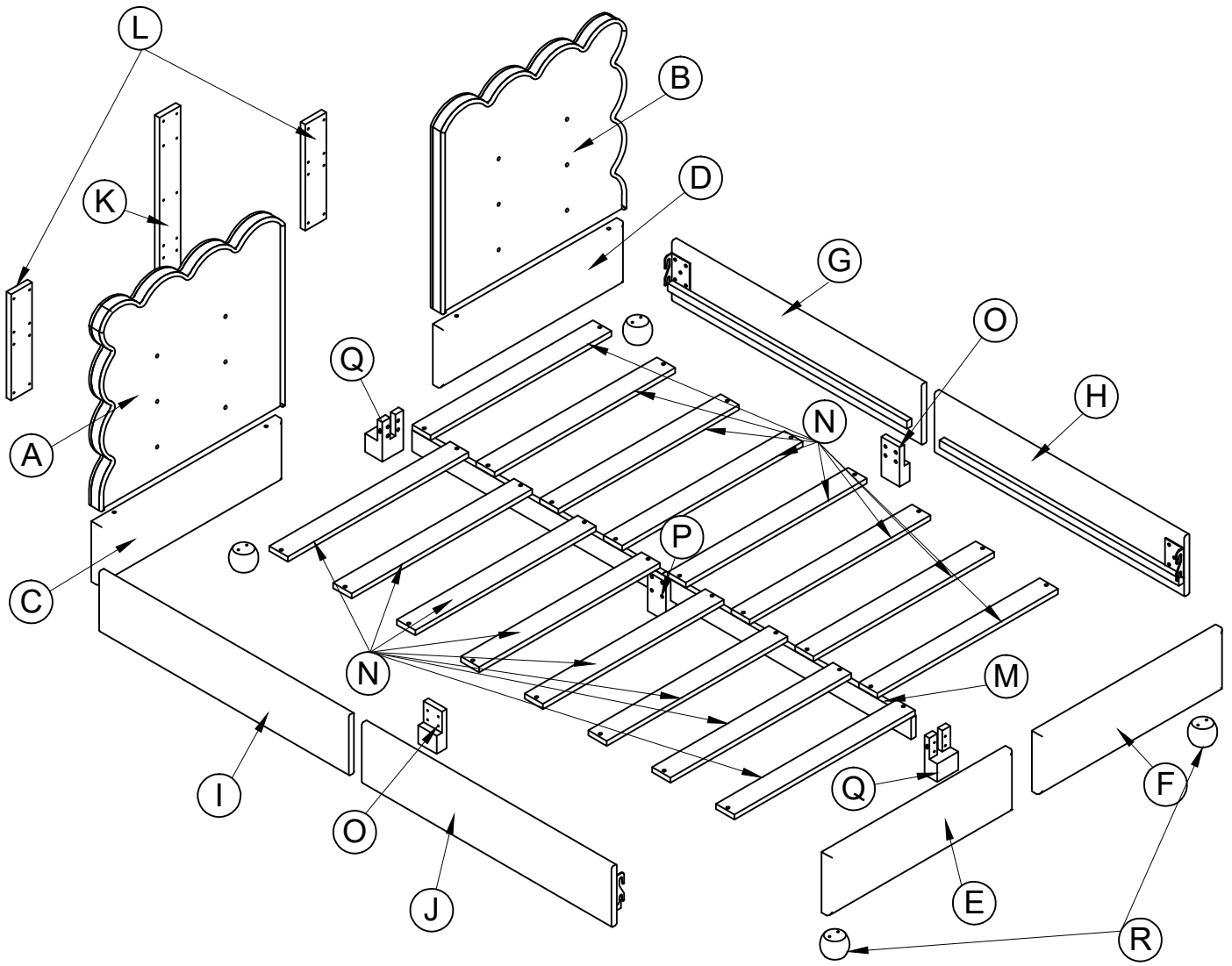
ASSEMBLY INSTRUCTIONS

WF313965



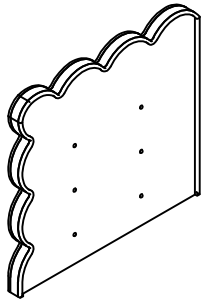
IMPORTANT NOTE:

- ① PLACE ALL PARTS ON A CLEAN AND SMOOTH SURFACE SUCH AS A RUG OR CARPET TO AVOID THE PARTS FROM BEING SCRATCHED.
- ② BEFORE YOU BEGIN, KINDLY FOLLOW THE ASSEMBLY INSTRUCTIONS STEP BY STEP.
- ③ DO NOT TIGHTEN ALL SCREWS AND BOLTS UNTIL THE BED IS FULLY SET-UP.



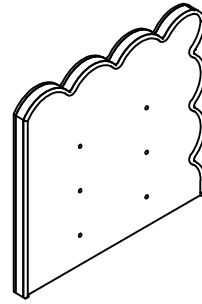
Part List For One

A



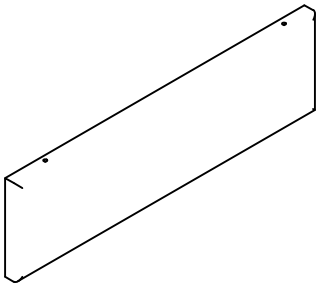
H Board Left (1pc)

B



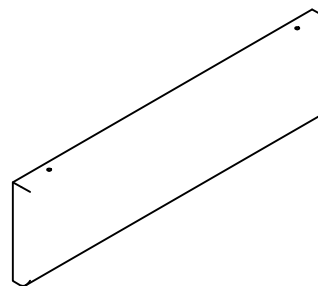
H Board Right (1pc)

C



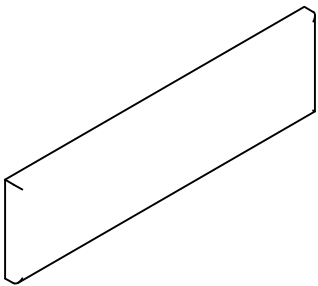
H Board Left Below (1pc)

D



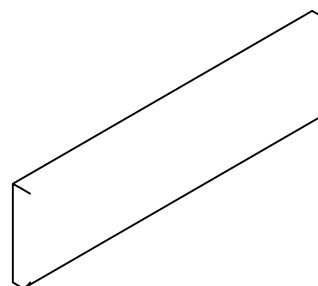
F Board Right Below (1pc)

E



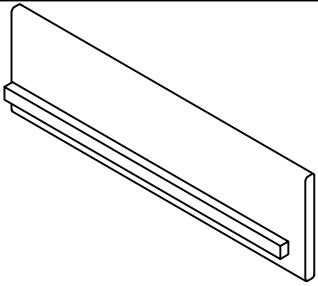
F Board Left (1pcs)

F



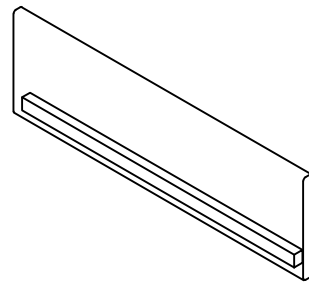
F Board Right (1pcs)

G



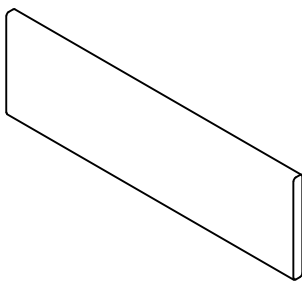
Rail 1 (1pc)

H



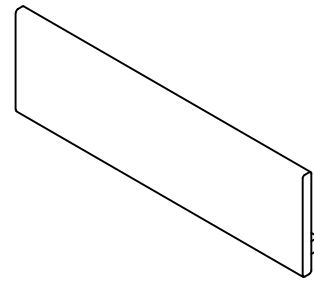
Rail 2 (1pc)

I



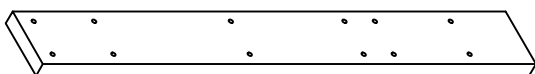
Rail 3 (1pc)

J



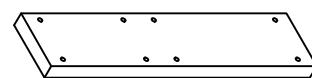
Rail 4 (1pc)

K



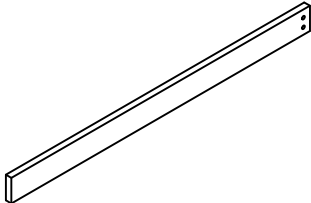
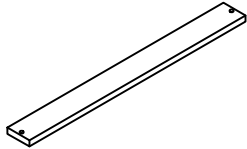
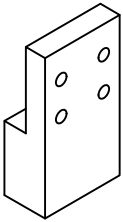
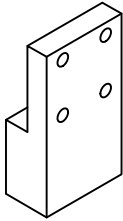
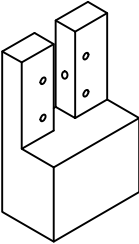

Support Bar 1 (1pc)

L

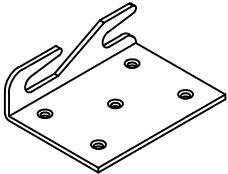
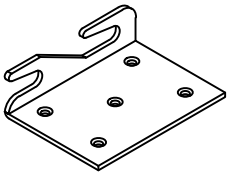
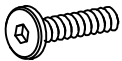
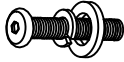

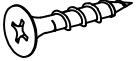
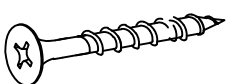
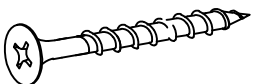
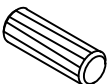



Support Bar 2 (2pcs)

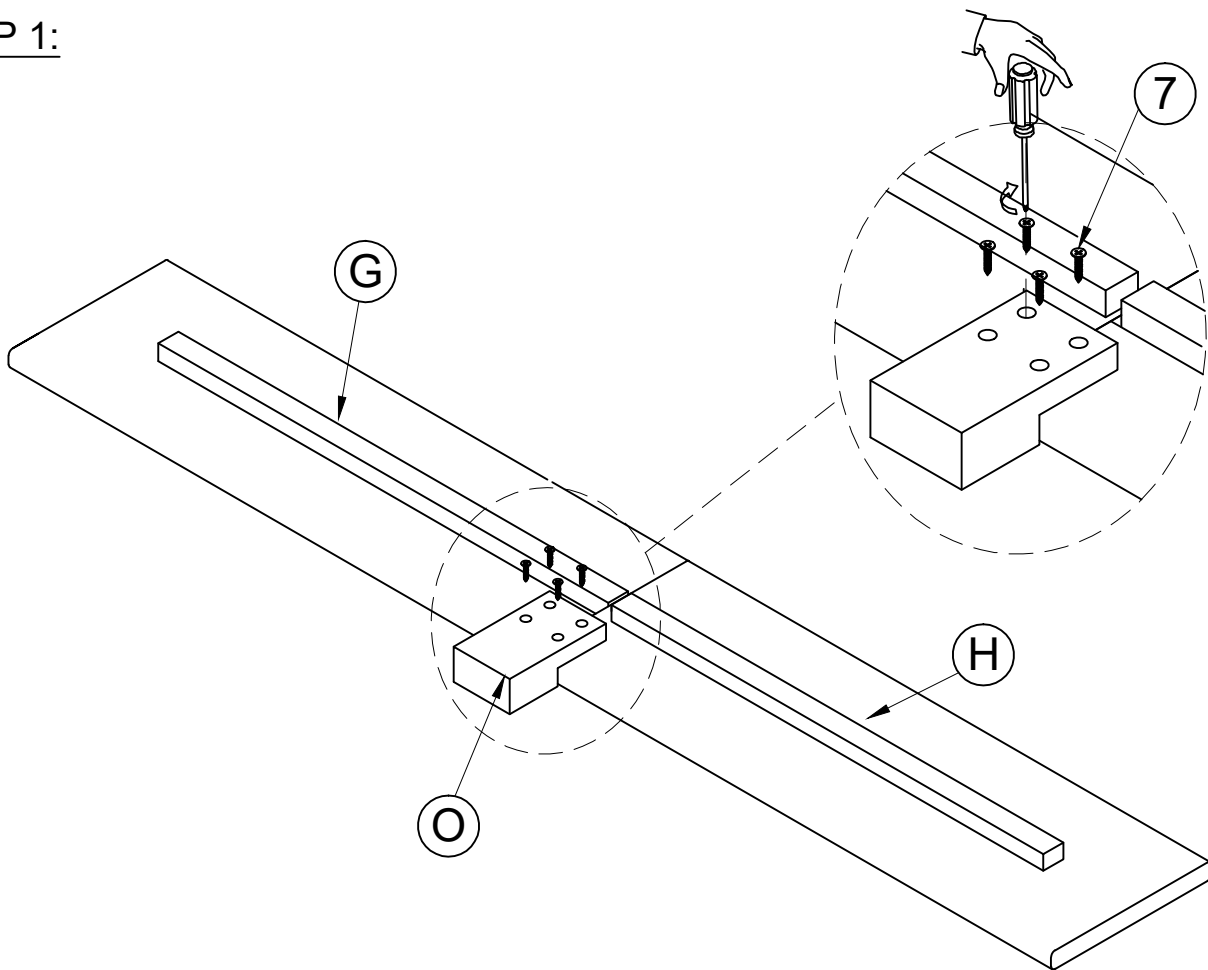
Part List For One

<p>(M)</p> 	<p>(N)</p> 
<p>Center Support slats (2pcs)</p>	<p>Slats (16pcs)</p>
<p>(O)</p> 	<p>(P)</p> 
<p>Legs (2pcs)</p>	<p>Center 1 Legs (1pc)</p>
<p>(Q)</p> 	<p>(R)</p> 
<p>Center 2 Legs (2pcs)</p>	<p>Corner Legs (4PCS)</p>

Hardware List For One

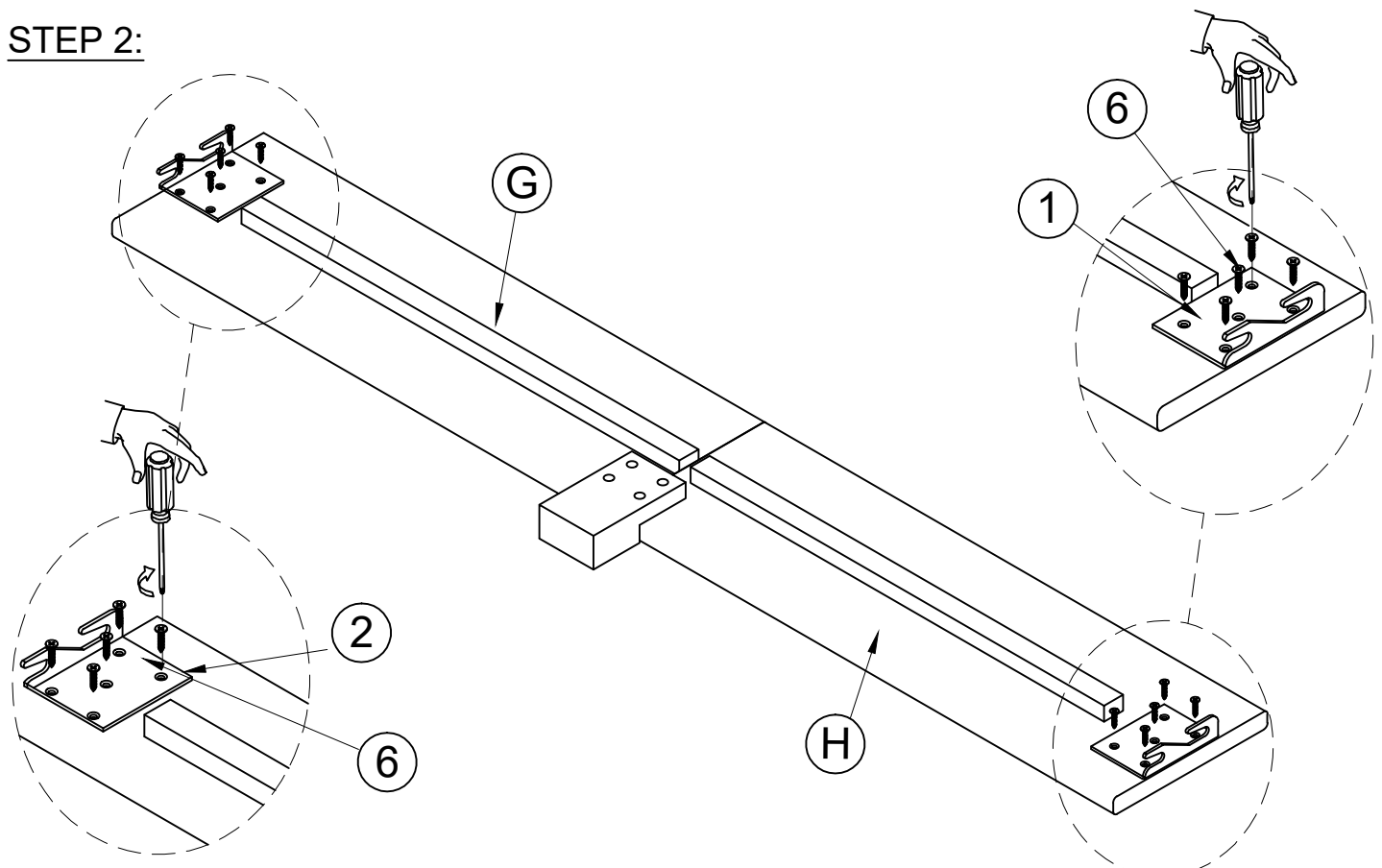
<p>(1)</p> 	<p>(2)</p> 	<p>(3)</p>  <p>Ø 5/16" x 25mm</p>	
<p>Pass Metal Left (2 pcs)</p>	<p>Pass Metal Right (2 pcs)</p>	<p>Bolts (8pcs)</p>	
<p>(4)</p>  <p>M6x 30mm</p>	<p>(5)</p>  <p>M6 x 15mm</p>	<p>(6)</p>  <p>M3.5 x 15mm</p>	
<p>Bolts (4pcs)</p>	<p>Bolts (4pcs)</p>	<p>Screws (20 pcs)</p>	
<p>(7)</p>  <p>M4 x 30mm</p>	<p>(8)</p>  <p>M4 x 50mm</p>	<p>(9)</p>  <p>Ø10 x 30</p>	<p>(10)</p>  <p>4mm</p>
<p>Screws (76 pcs)</p>	<p>Screws (10 pcs)</p>	<p>Wood Dowel (4pcs)</p>	<p>Allen Key (1pc)</p>

STEP 1:



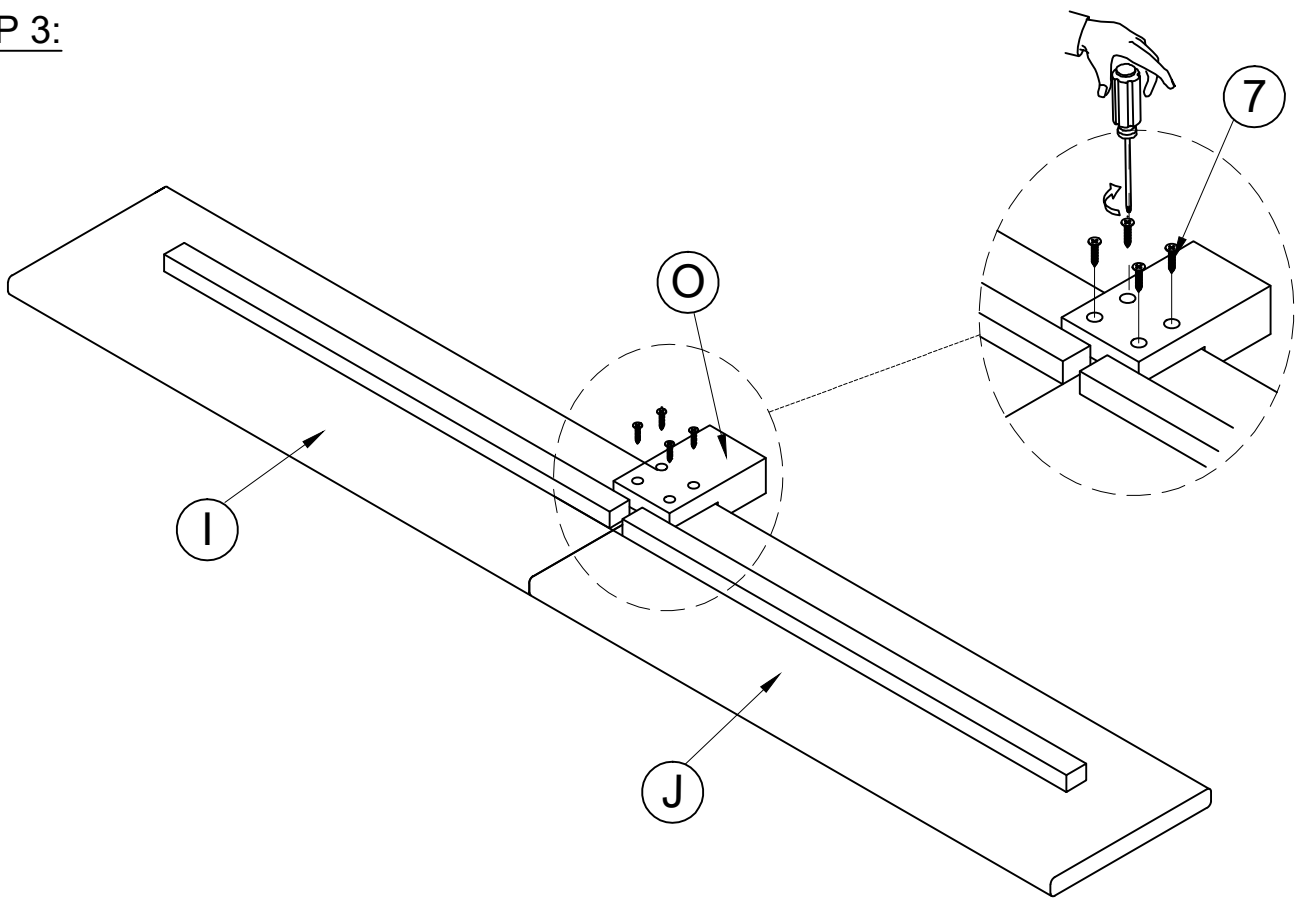
7	M4 x 30		4pcs
---	---------	---	------

STEP 2:



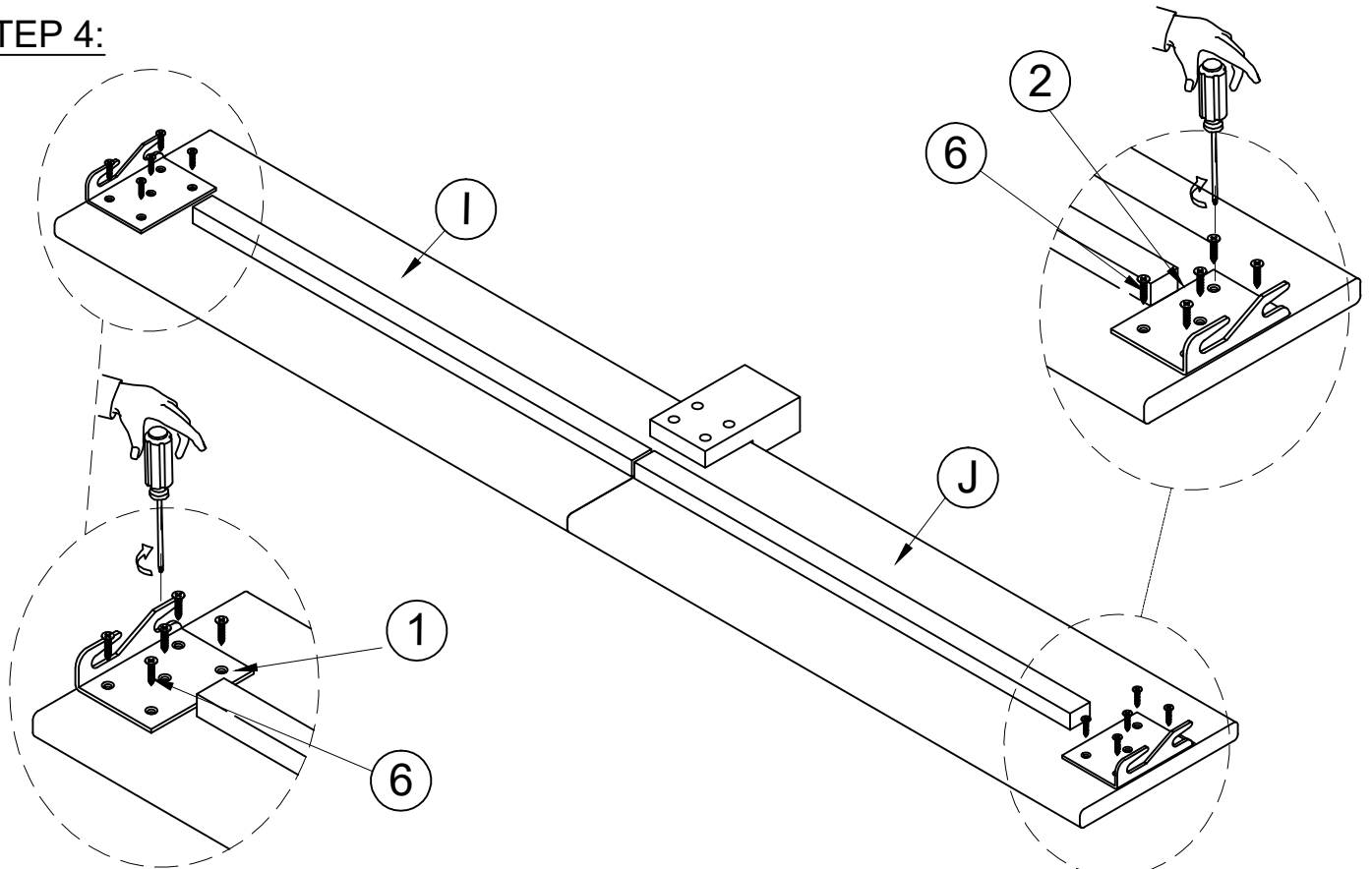
1	Pass Metal Left		1pc	2	Pass Metal Right		1pc
6	M3.5 x 15		10pcs				




STEP 3:



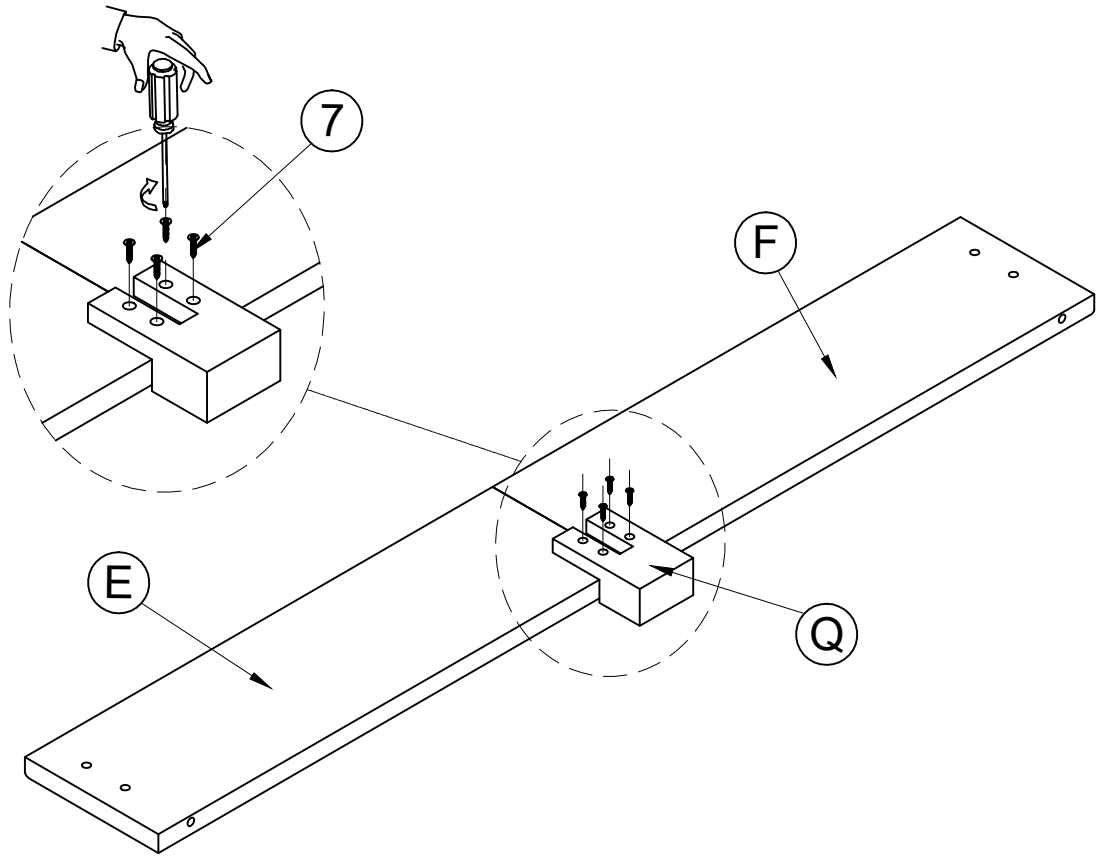
7	M4 x 30		4pcs
---	---------	---	------

STEP 4:



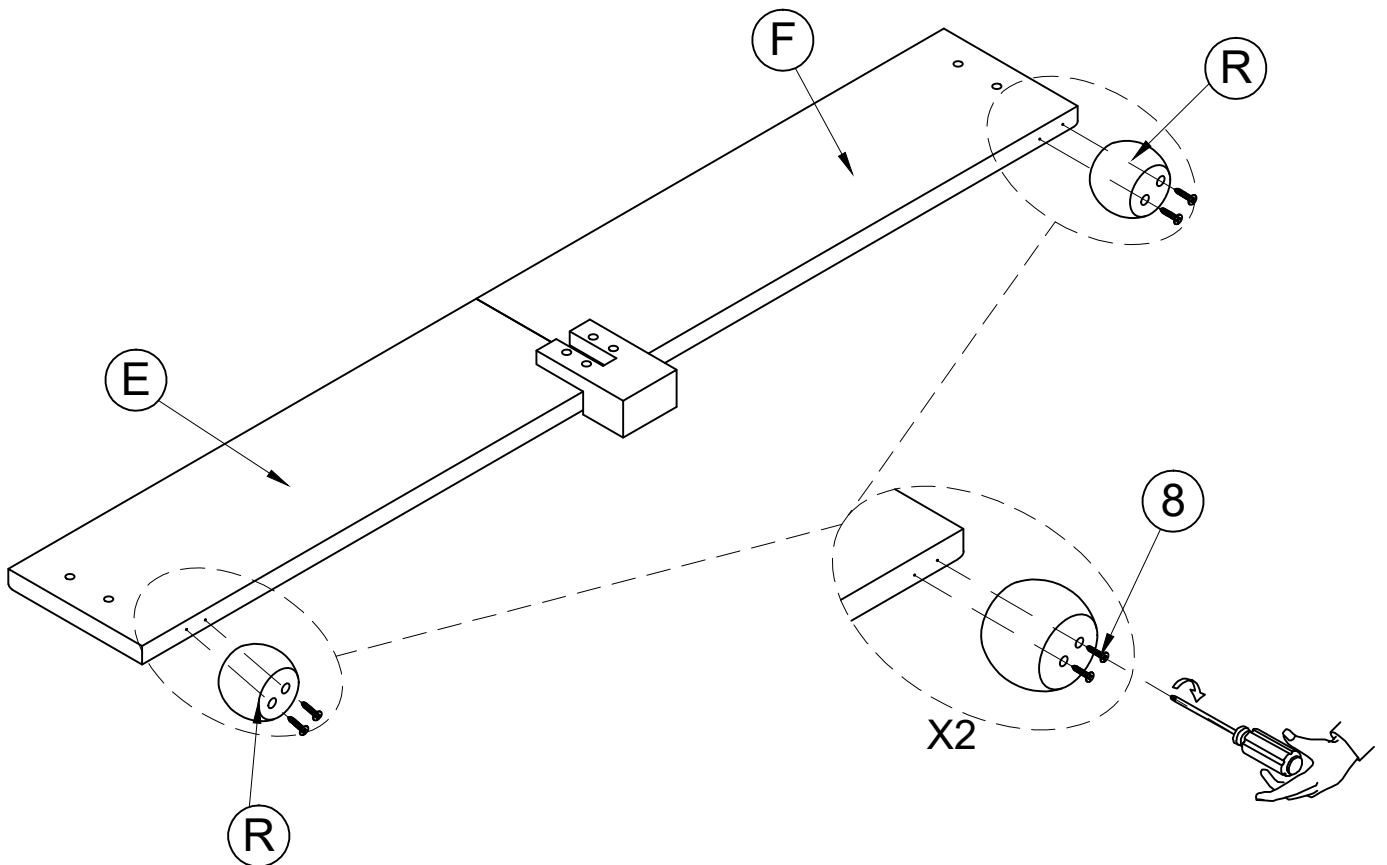
1	Pass Metal Left		1pc	2	Pass Metal Right		1pc
6	M3.5 x 15		10pcs				

STEP 5:



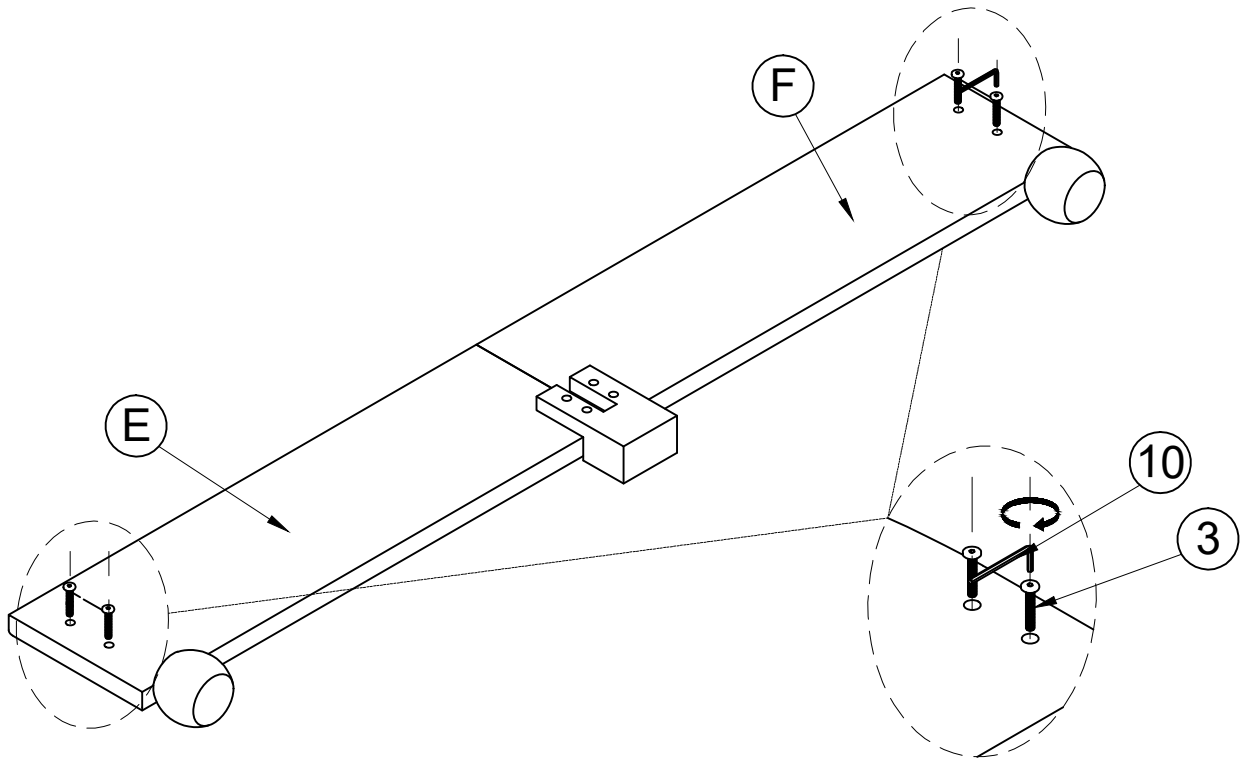
7	M4 x 30		4pcs
----------	---------	---	------



STEP 6:



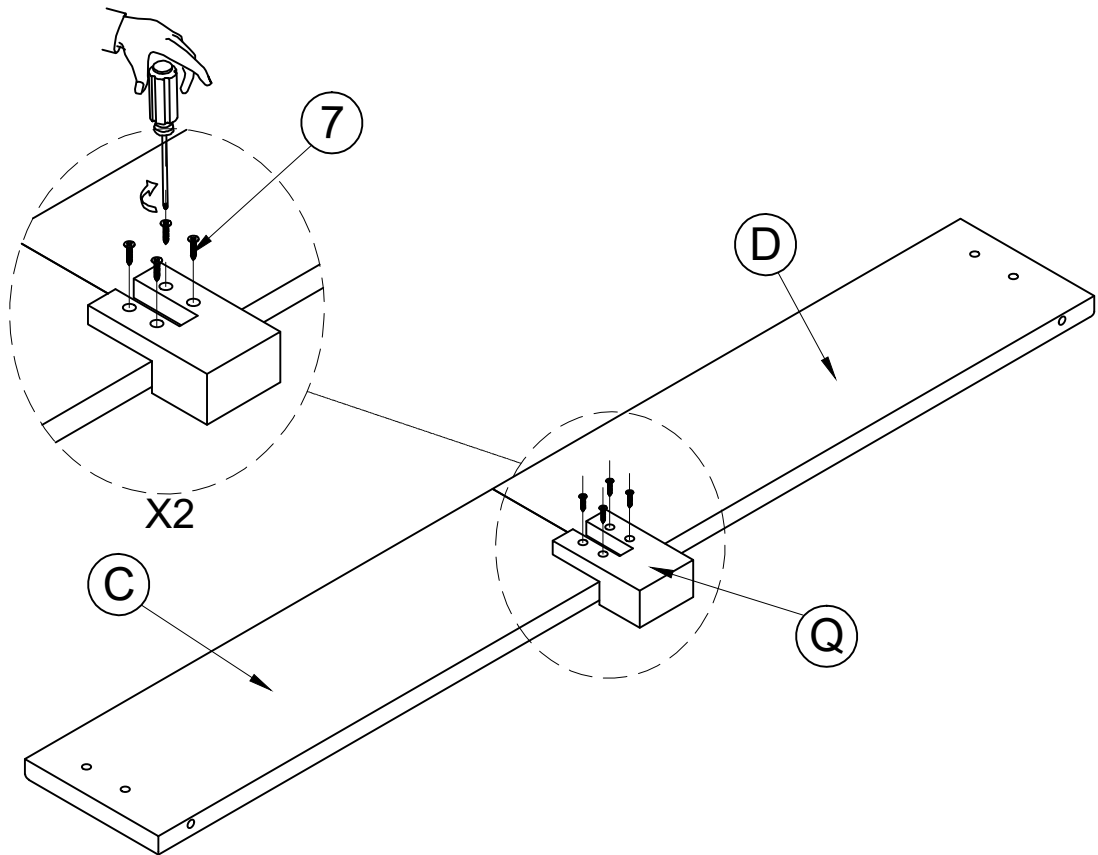
8	M4 x 50		4pcs
----------	---------	---	------

STEP 7: Do not fully tighten the bolts.



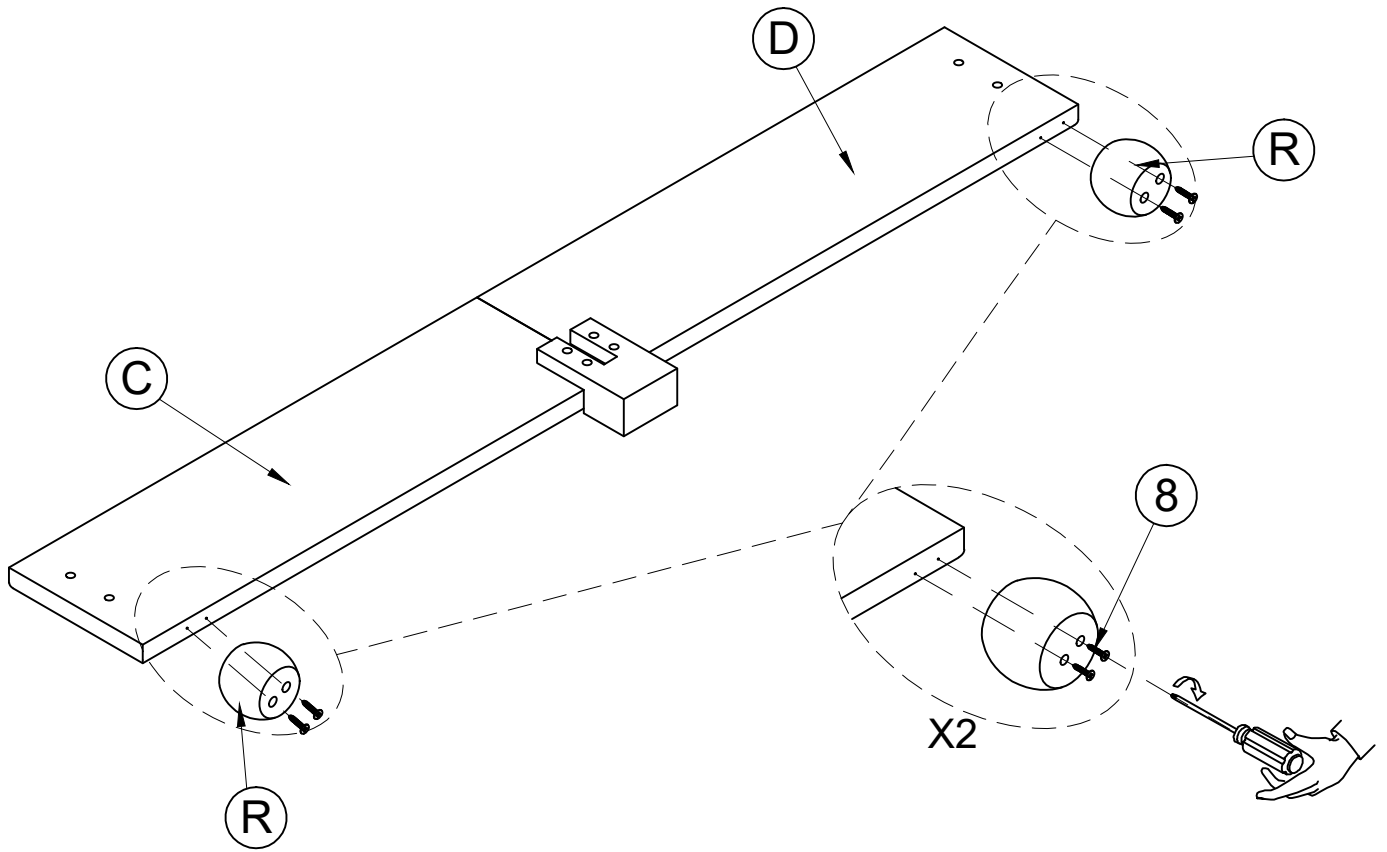
3	Ø 5/16" x 25mm		4pcs	10	Allen Key 4mm		1pc
---	----------------	---	------	----	---------------	---	-----

STEP 8:



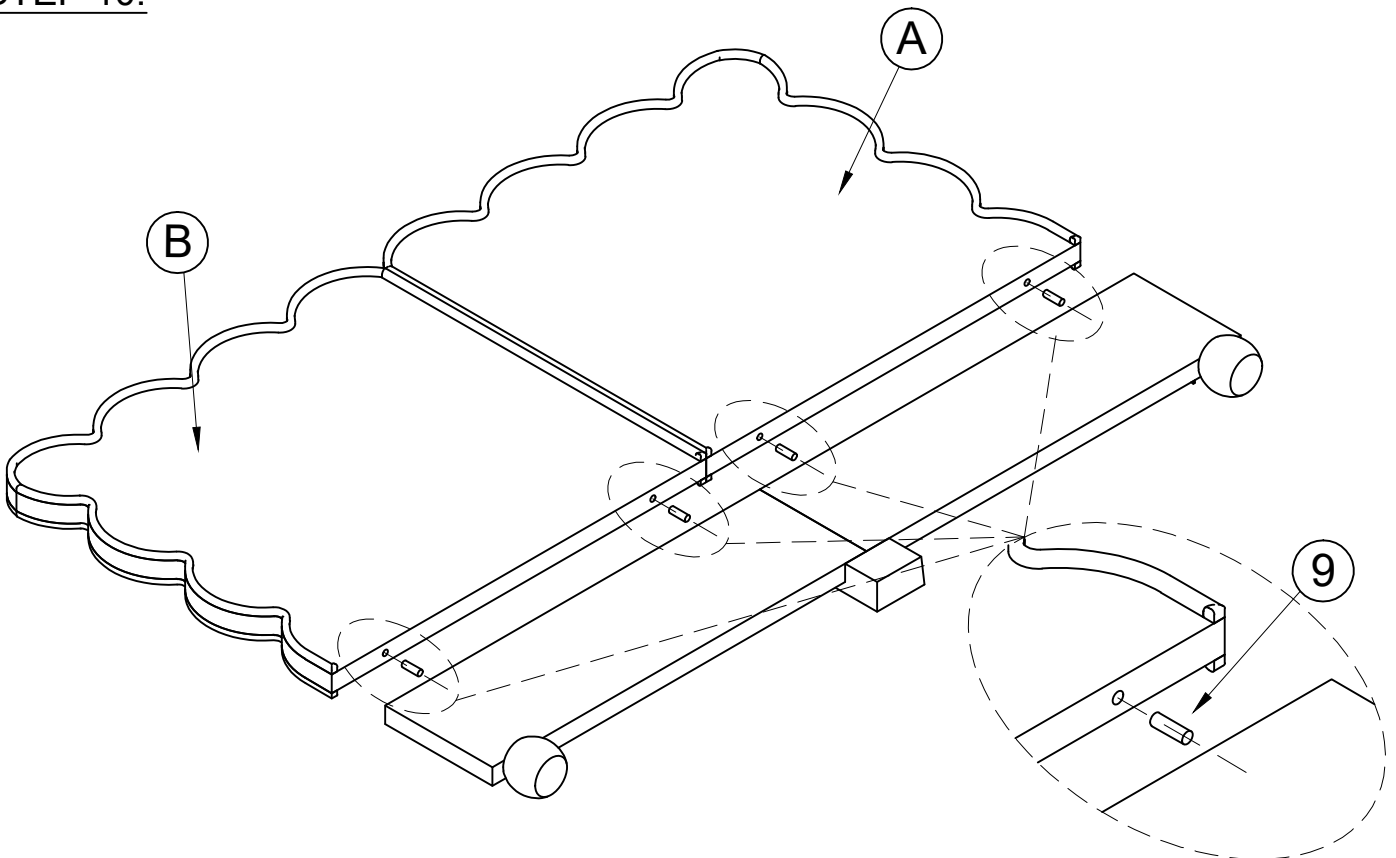
7	M4 x 30		4pcs
---	---------	---	------

STEP 9:



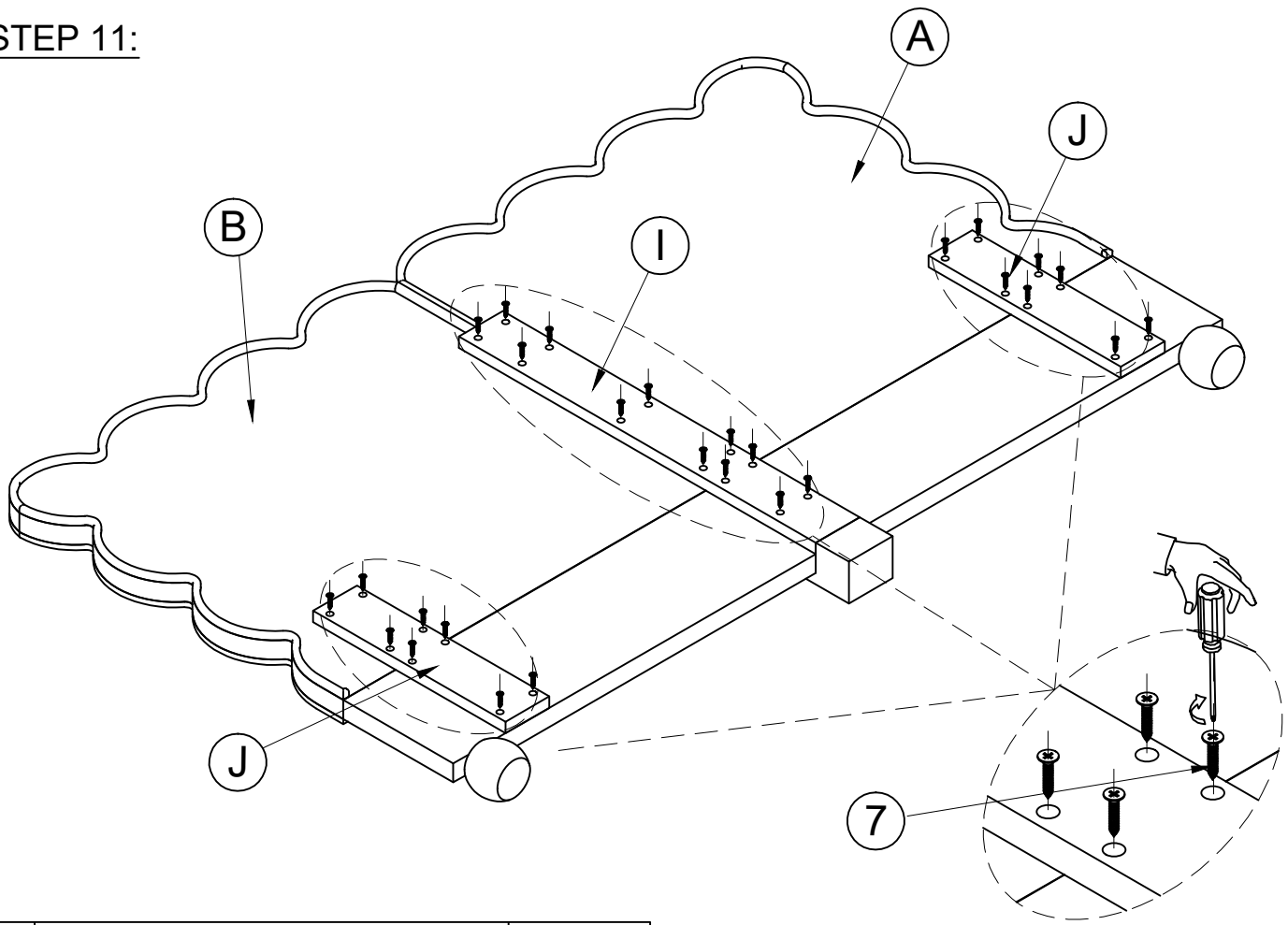
8	M4 x 50		4pcs
----------	---------	---	------

STEP 10:



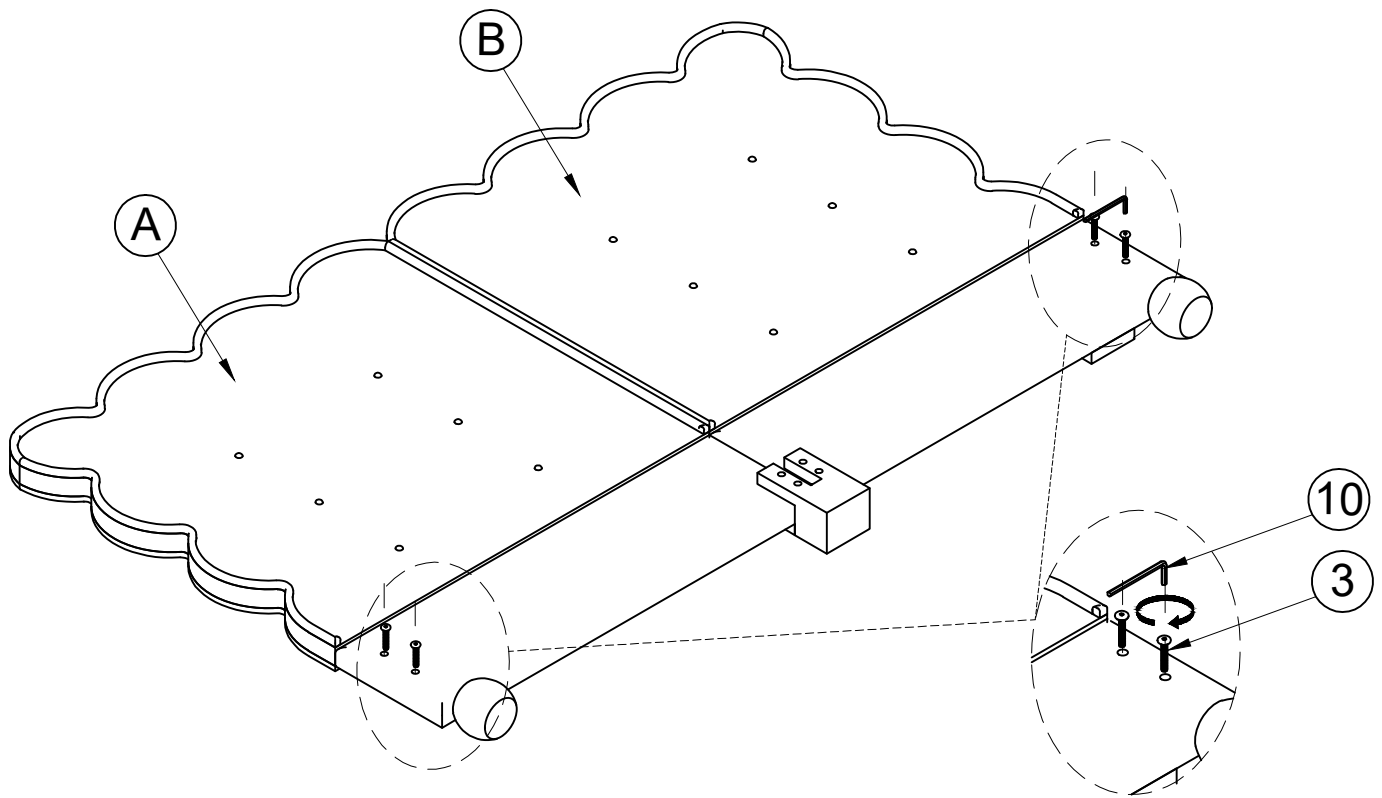
9	Ø 10 x 30		4pcs
----------	-----------	---	------



STEP 11:



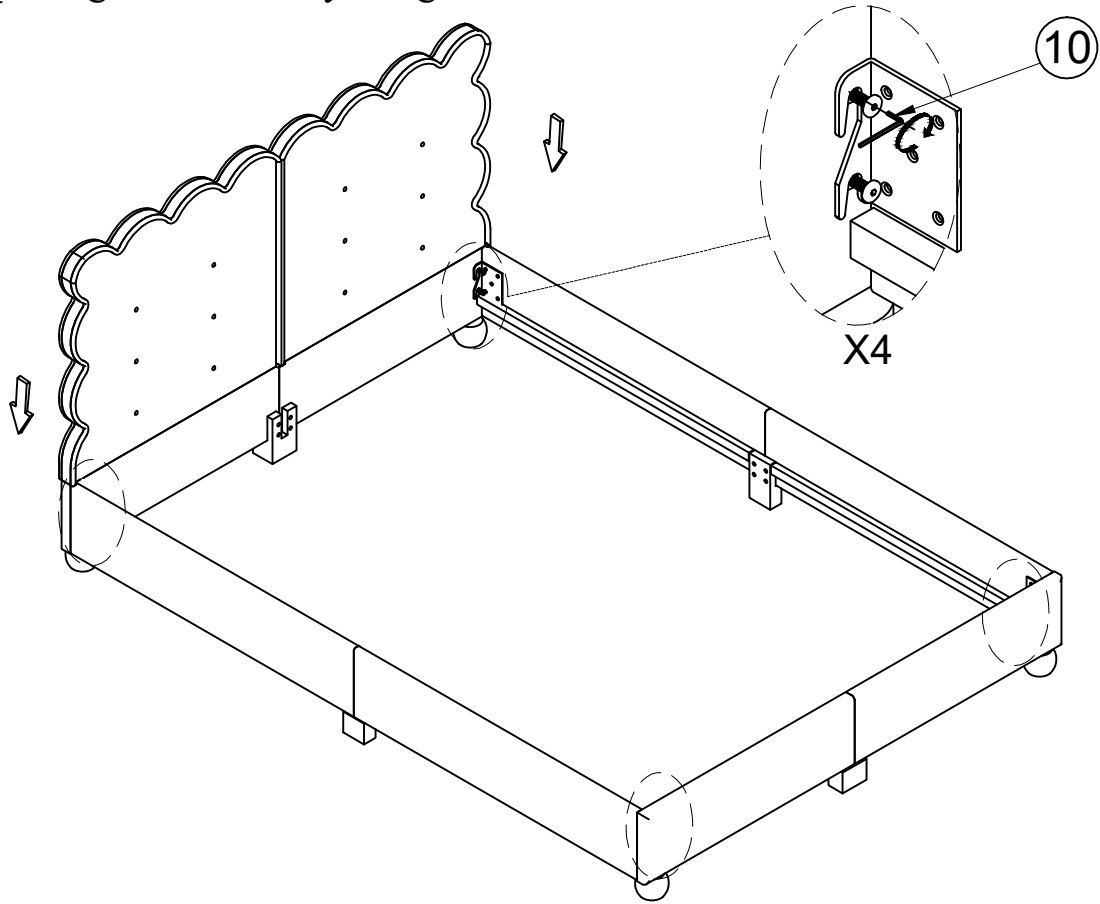
7	M4 x 30		28pcs
---	---------	---	-------

STEP 12: Do not fully tighten the bolts.



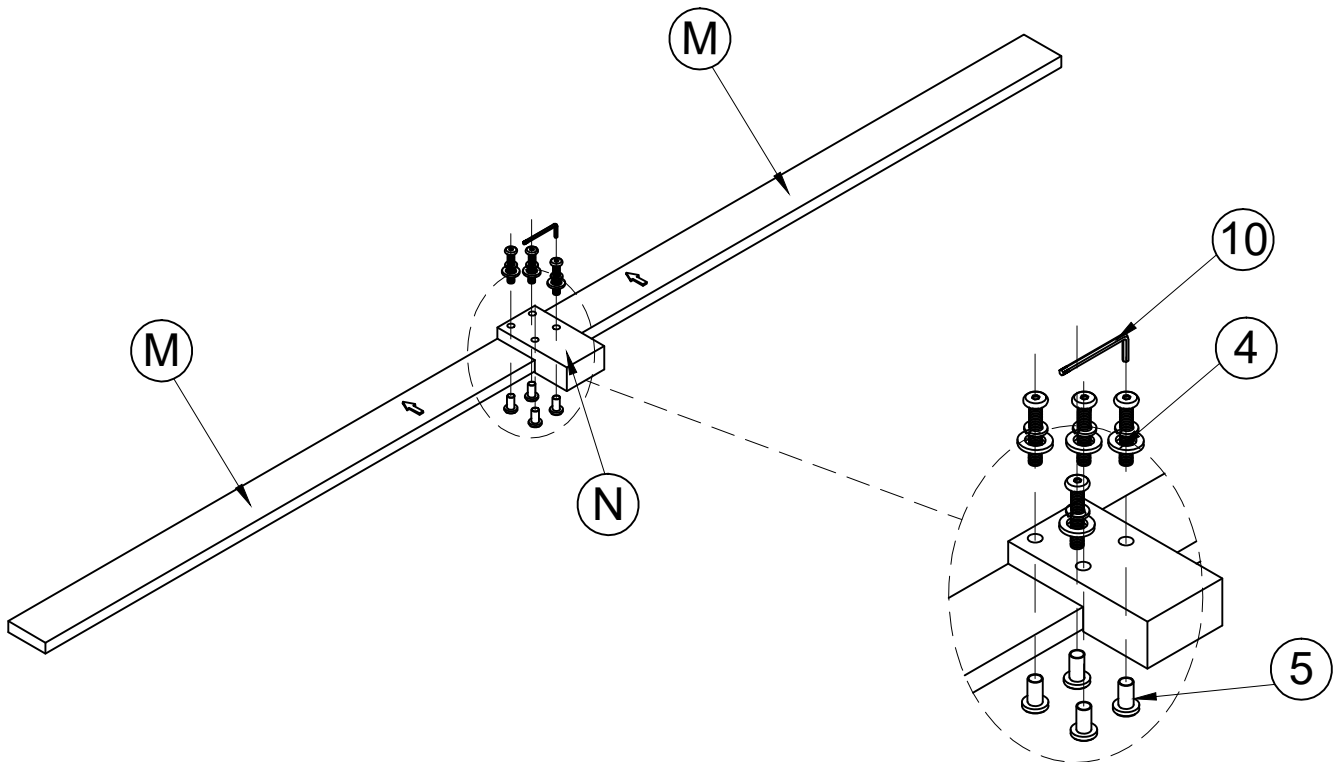
3	Ø 5/16" x 25mm		4pcs	10	Allen Key 4mm		1pc
---	----------------	---	------	----	---------------	---	-----

STEP 14: Using the Allen Key to tighten all bolts.



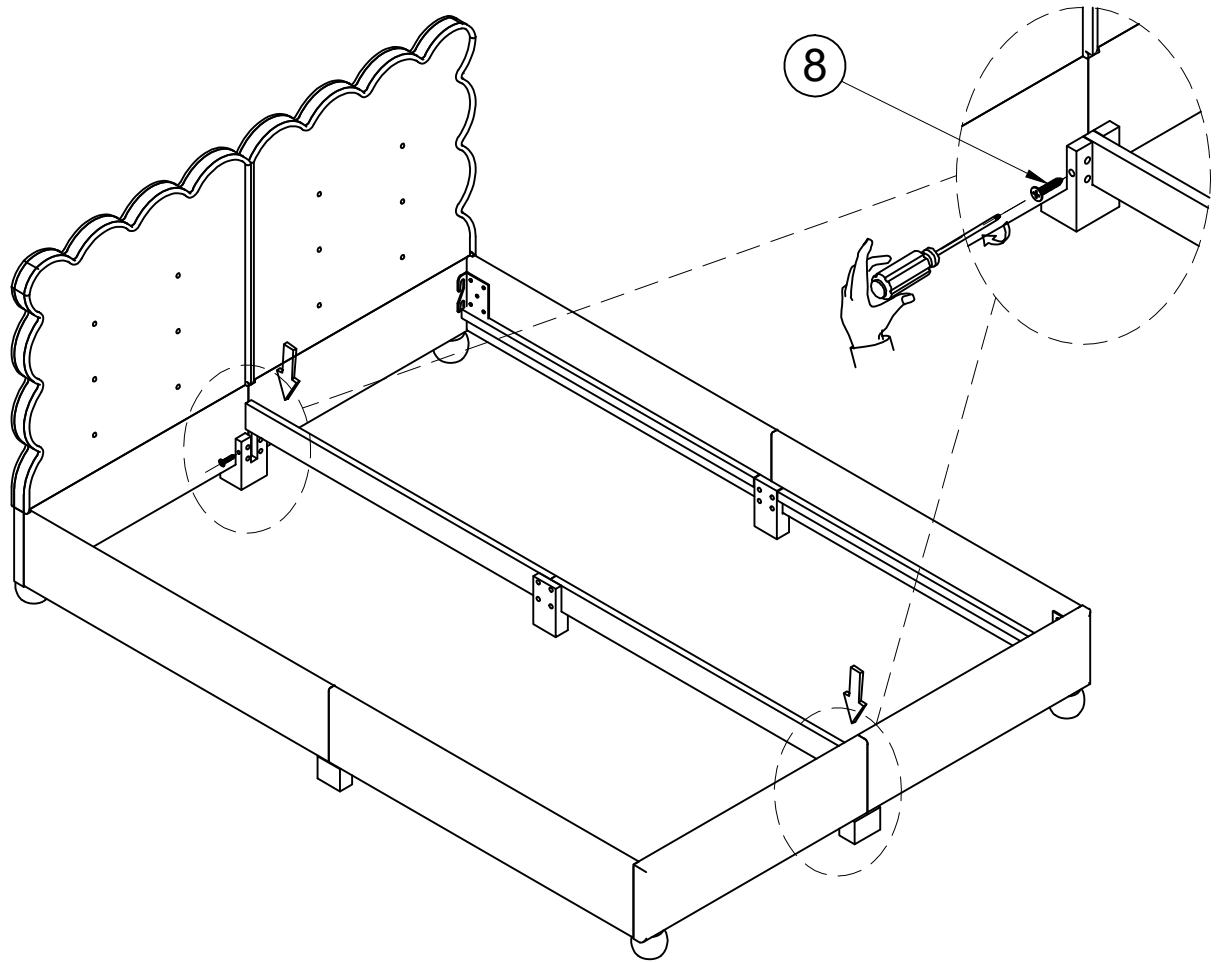
10	Allen Key 4mm		1pc
-----------	---------------	---	-----

STEP 11:



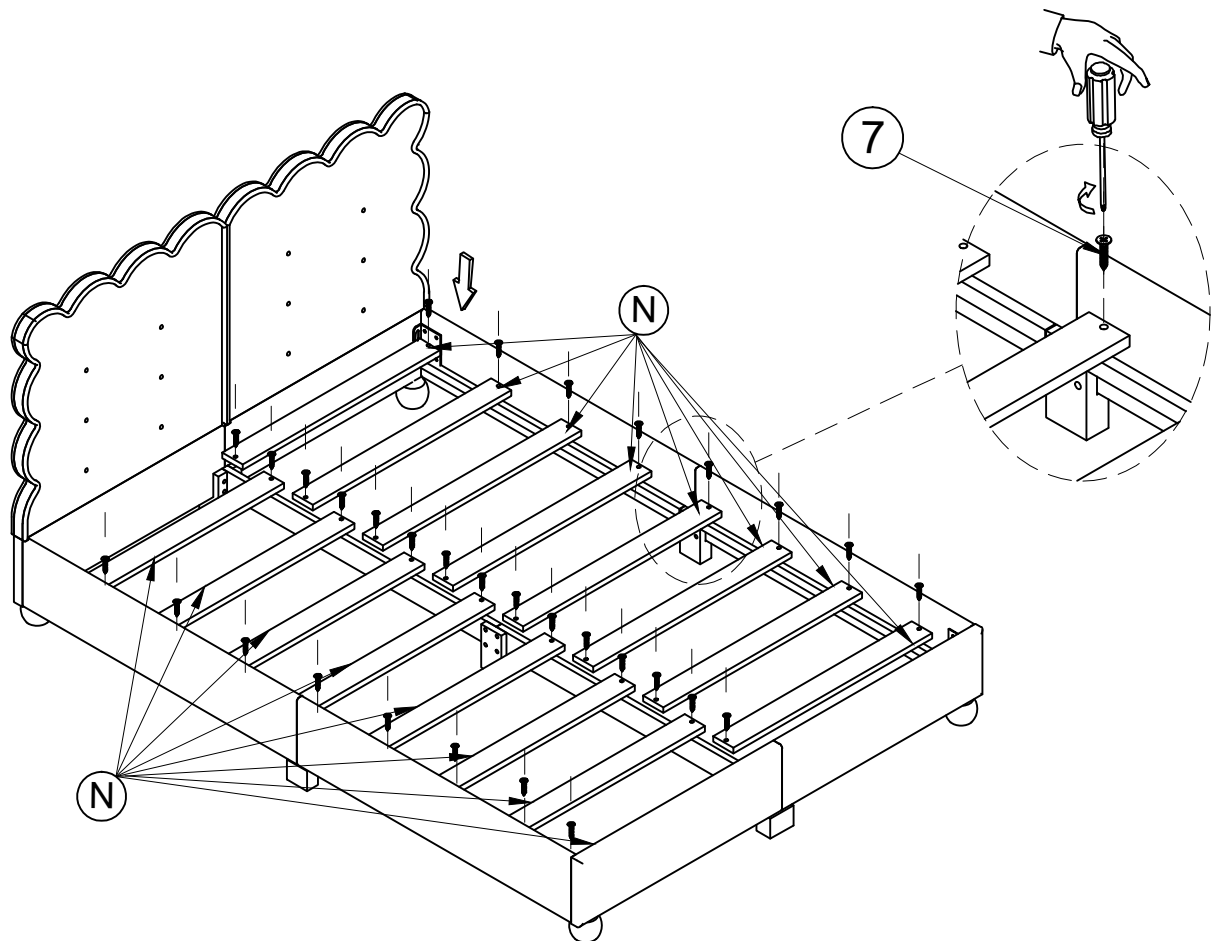
4	M6 x 30mm		4pcs	5	M6 x 15mm		4pcs
10	Allen Key 4mm		1pc				

STEP 12:



8	M4 x 50		2pcs
----------	---------	---	------

STEP 13:



7	M4 x 30		32pcs
----------	---------	---	-------

COMPLETE:

