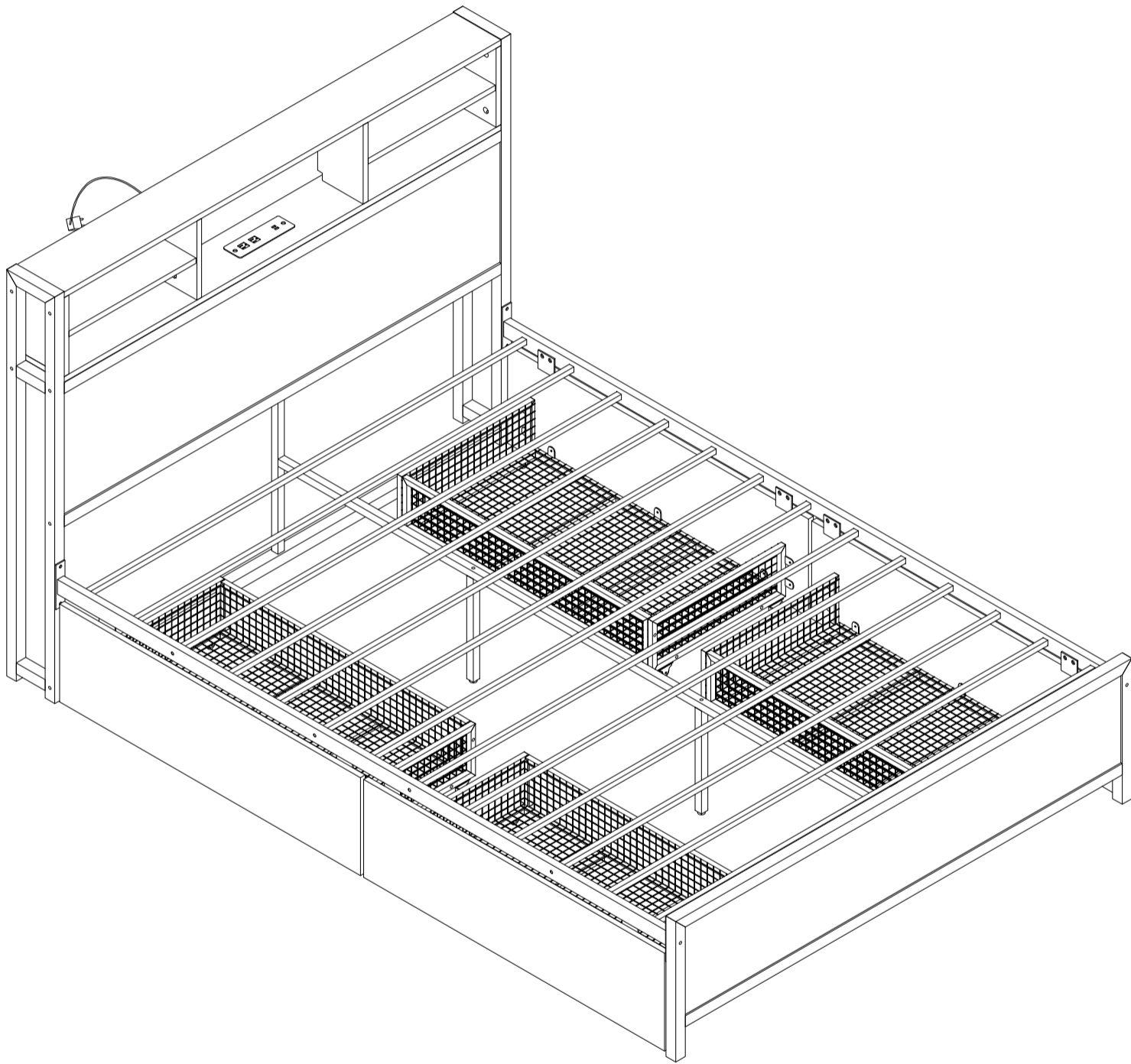
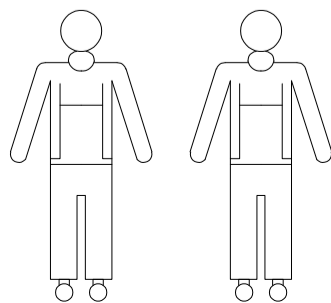


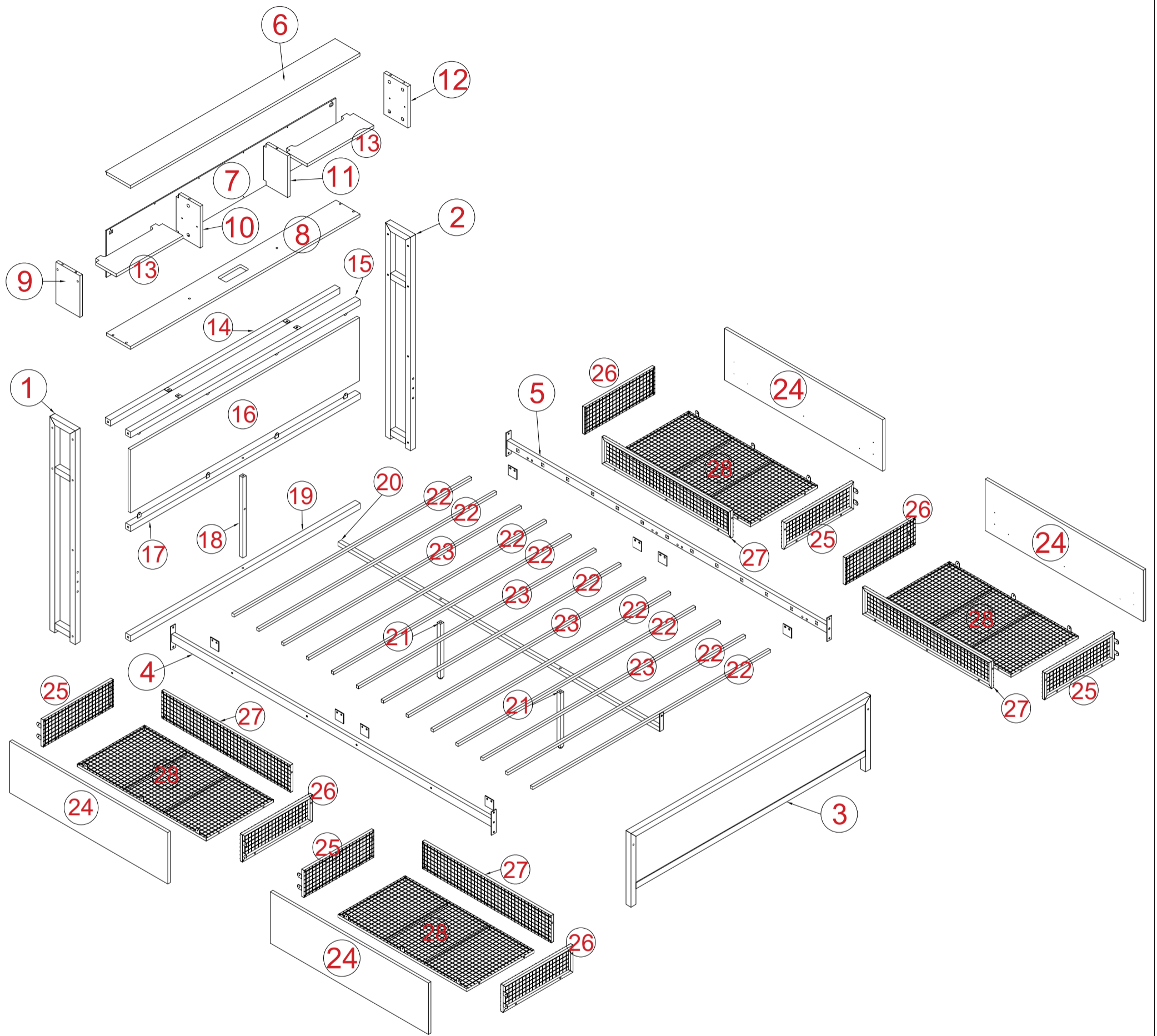
ASSEMBLY INSTRUCTION

MF313425/313426

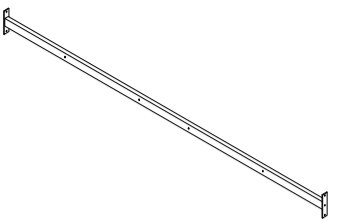
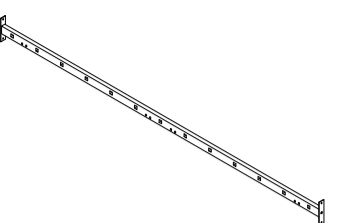
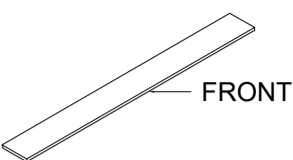
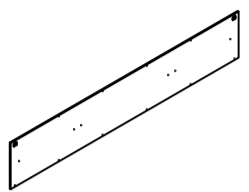
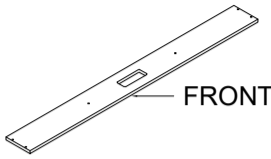


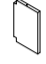

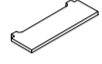
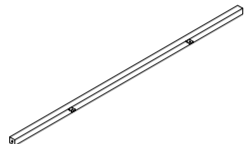
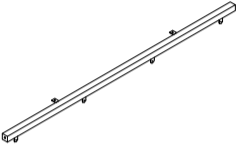
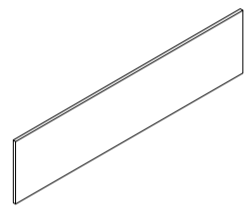
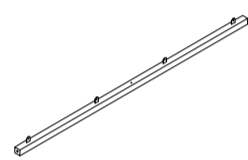
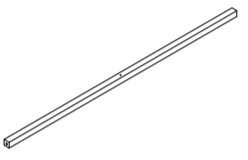
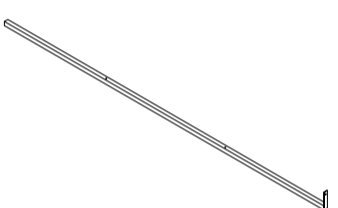
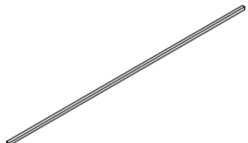

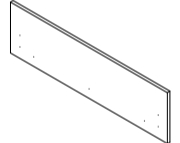


Minimum no. 2 of people
recommended to assemble
this product: Approx.
assembly time: 60 mins

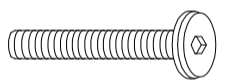
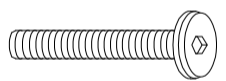
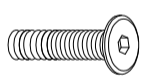
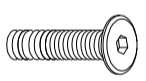
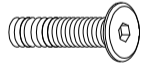
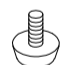
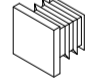

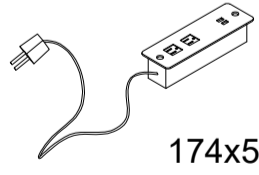
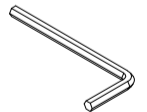
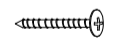
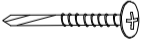



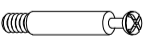
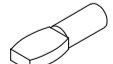
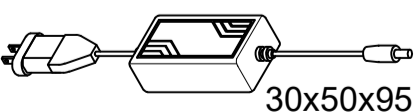
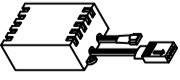

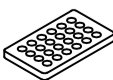




PART LIST 313425

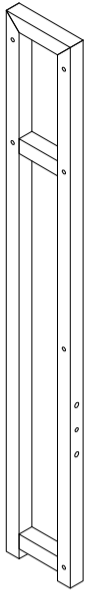
4		1PC	5		1PC	6		1PC
7		1PC	8		1PC	9		1PC
10		1PC	11		1PC	12		1PC
13		2PCS	14		1PC	15		1PC
16		1PC	17		1PC	19		1PC
20		1PC	22		9PCS	23		4PCS
24		4PCS						

HARDWARE LIST 313425

A		M $\frac{1}{4}$ "X50 14PCS	B		M $\frac{1}{4}$ "X40 4PCS	C		M $\frac{1}{4}$ "X35 3PCS	D		M $\frac{1}{4}$ "X25 36PCS
E		M $\frac{1}{4}$ "X15 37PCS	F		$\frac{1}{4}$ "x7 2PCS	G		#30x30x13 6PCS	H		M3.5x15 2PCS
i		174x55x45H 1PC	J		M4X23X57 1PC	K		M4x15 54PCS	L		M4x15 32 PCS
M		15x20x40H 16 PCS	N		3x50x50 8PCS	O		Ø15x12 12PCS	P		Ø7x40 12PCS
Q		Ø6x24 8PCS	R		30x50x95 1PC	S		22x35x50 1PC	T		5x13x1365 1PC
U		remote control 1PC									

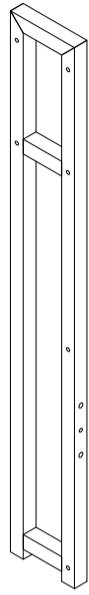
PART LIST 313426

1



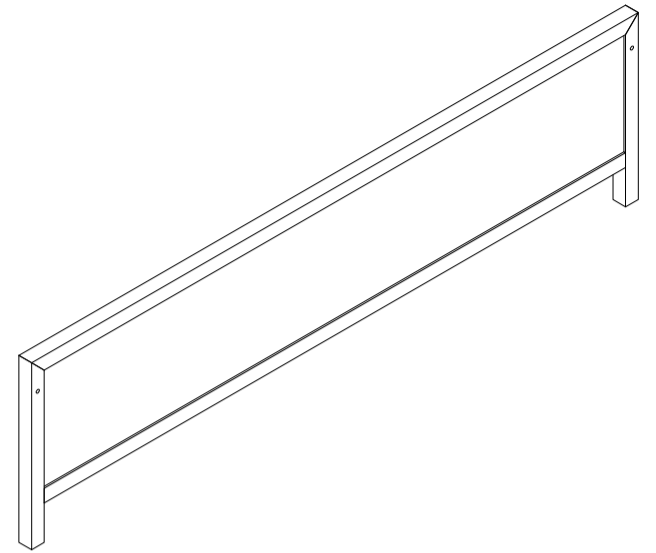
1PC

2



1PC

3



1PC

18



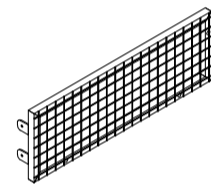
1PC

21



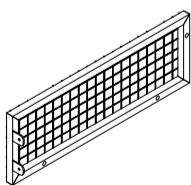
2PCS

25



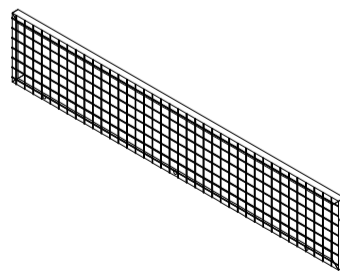
4PCS

26



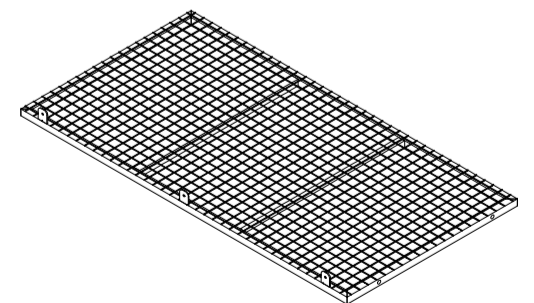
4PCS

27





4PCS

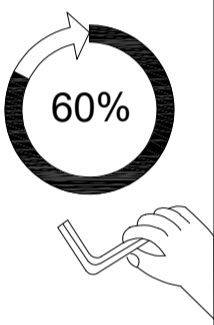
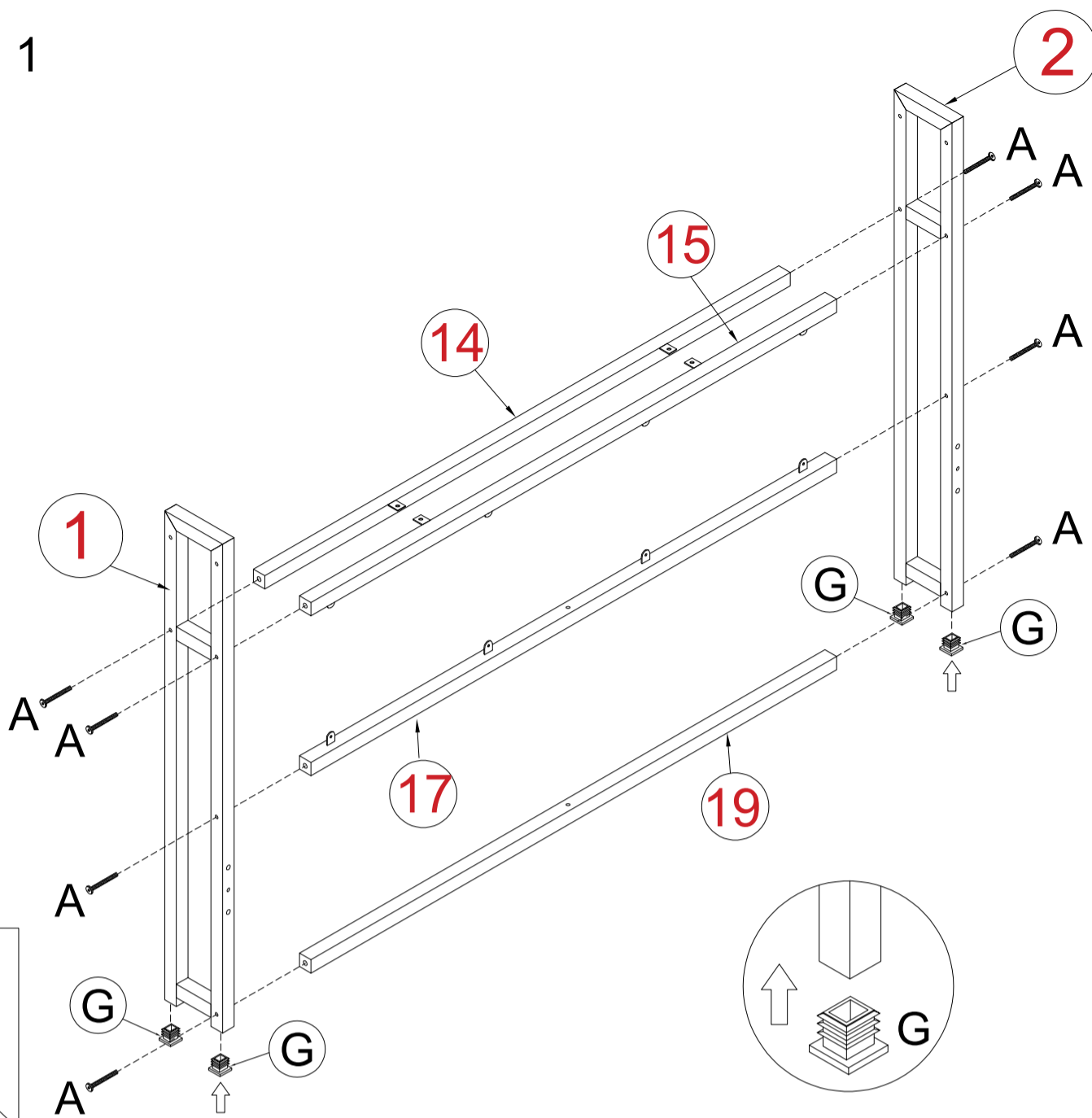
28




4PCS

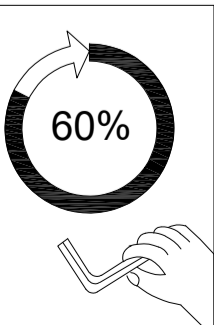
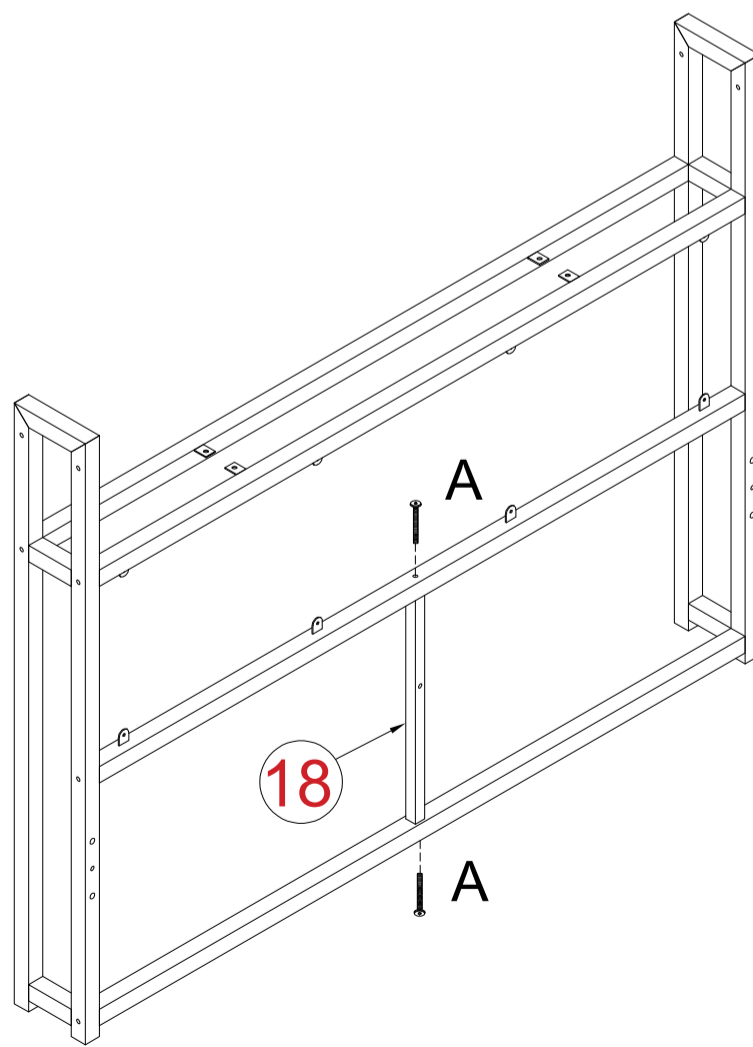
STEP 1

A	G
 M $\frac{1}{4}$ "x50	 #30x30x13
8 PCS	4 PCS

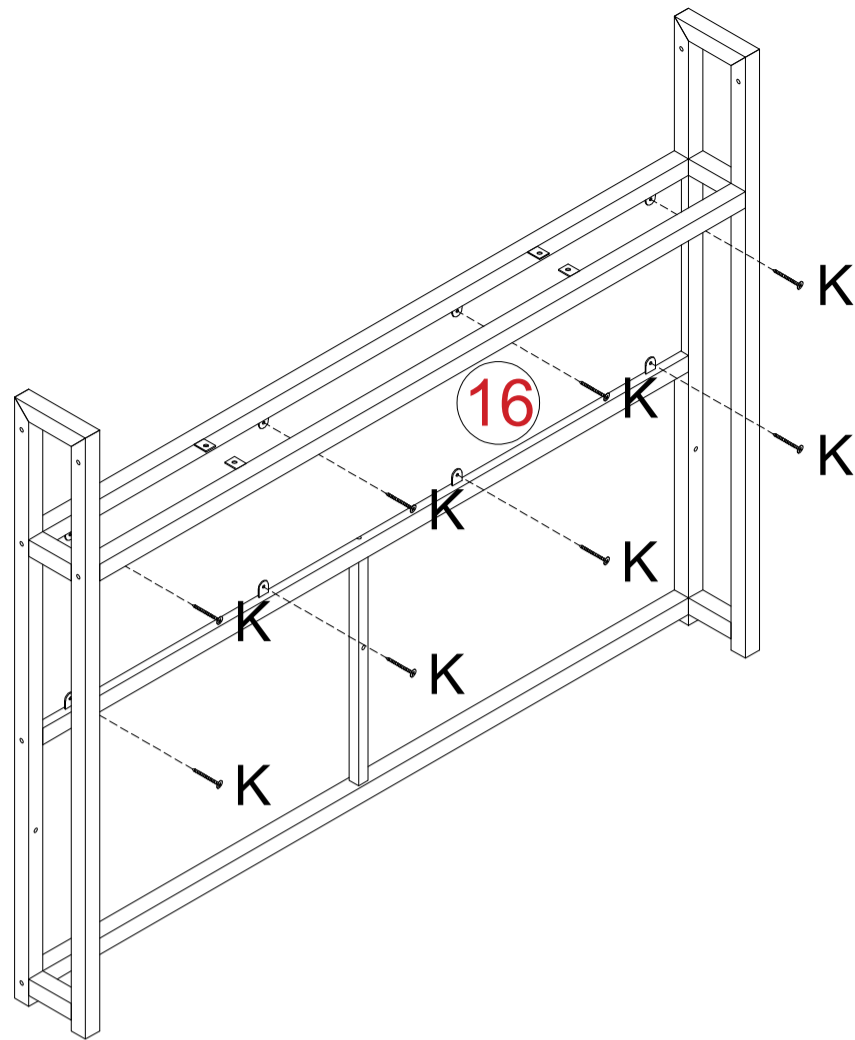


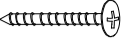
STEP 2

A
 M $\frac{1}{4}$ "x50
2 PCS

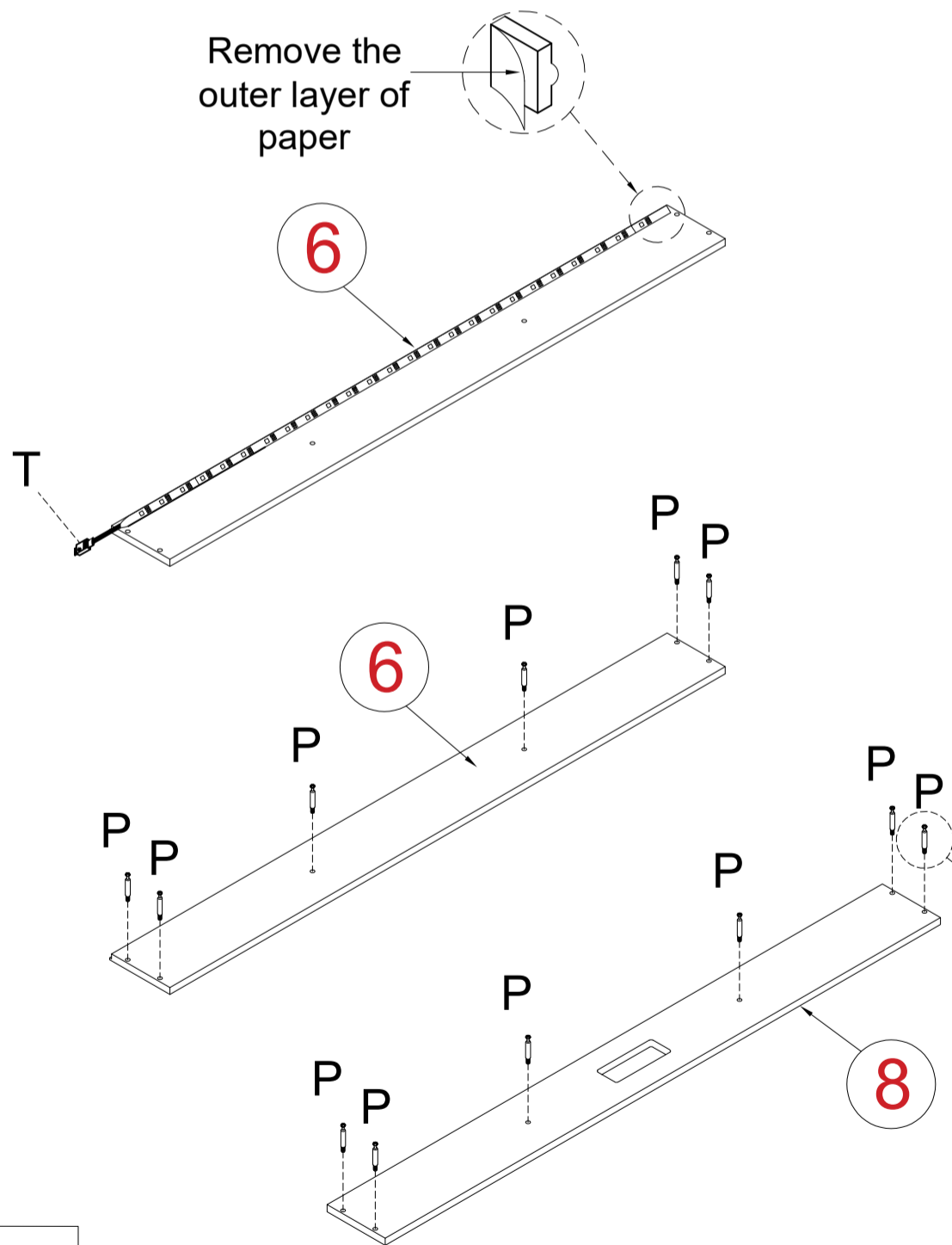



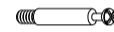
STEP 3

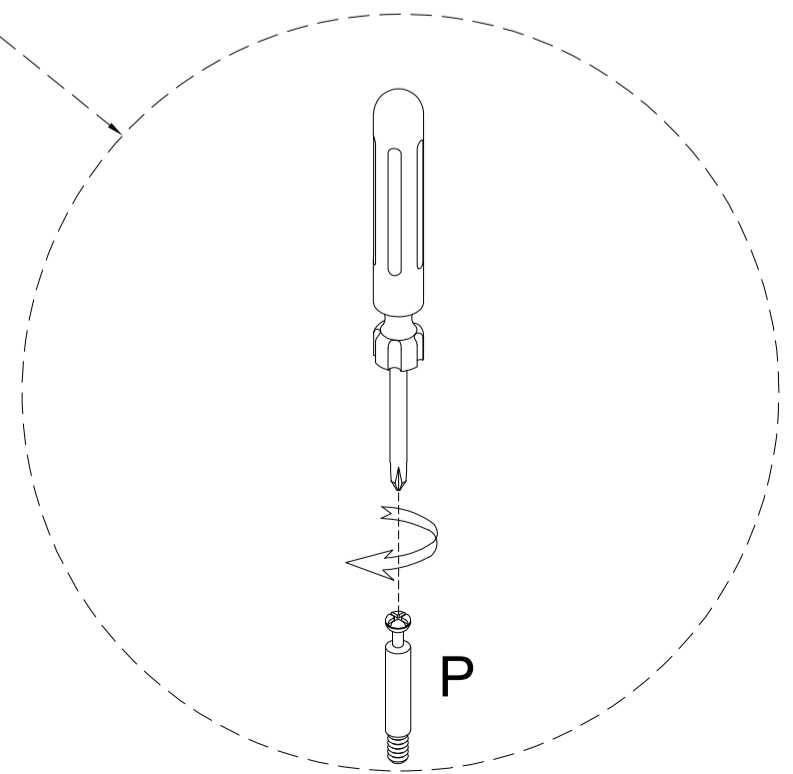


K

M4x15
8 PCS


STEP 4

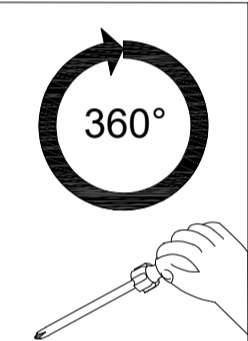
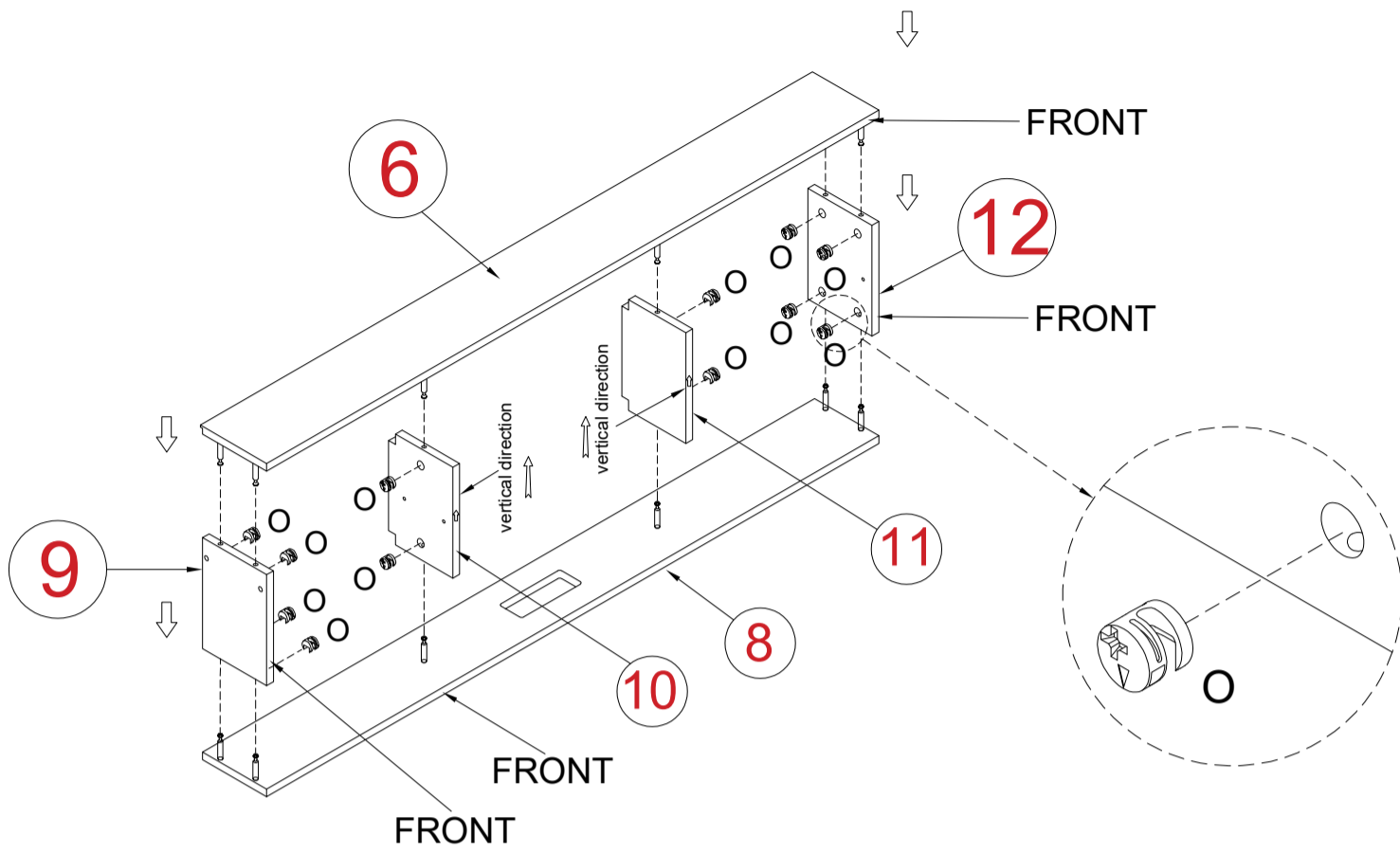


T	P
	
5x13x1365	Ø7x40
1PC	12 PCS

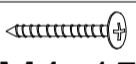


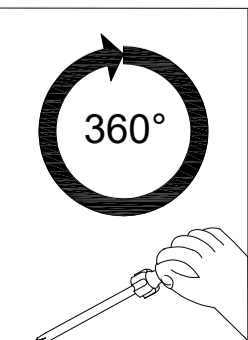
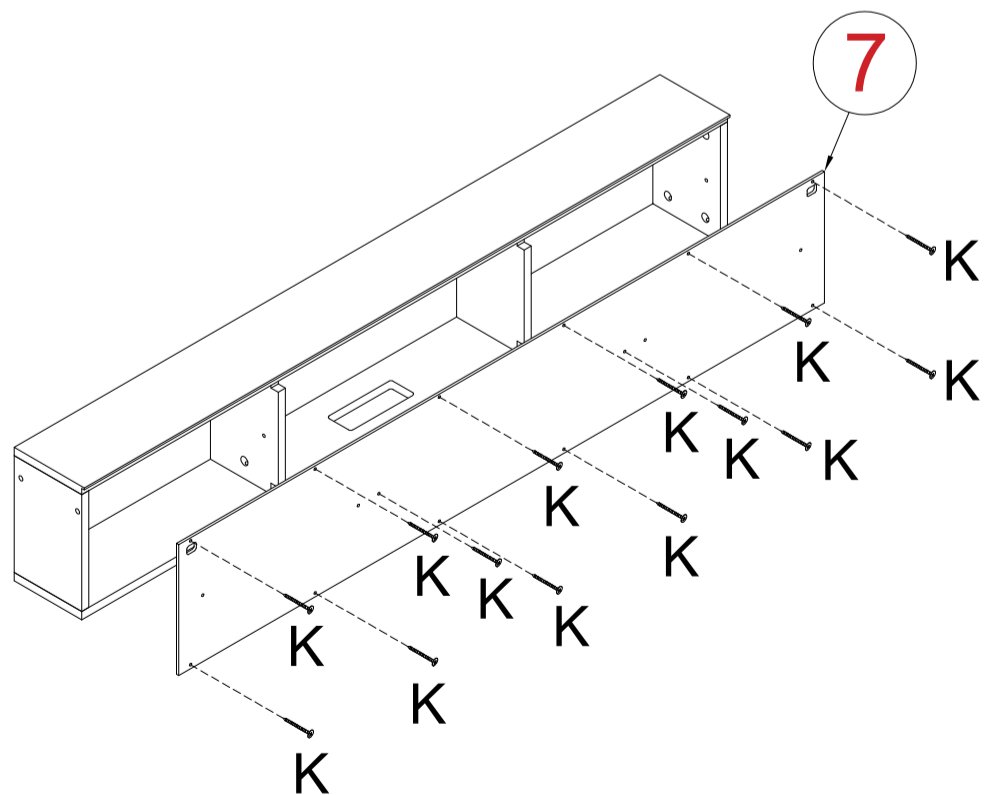
STEP 5

O
 Ø15x12
12 PCS

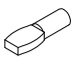


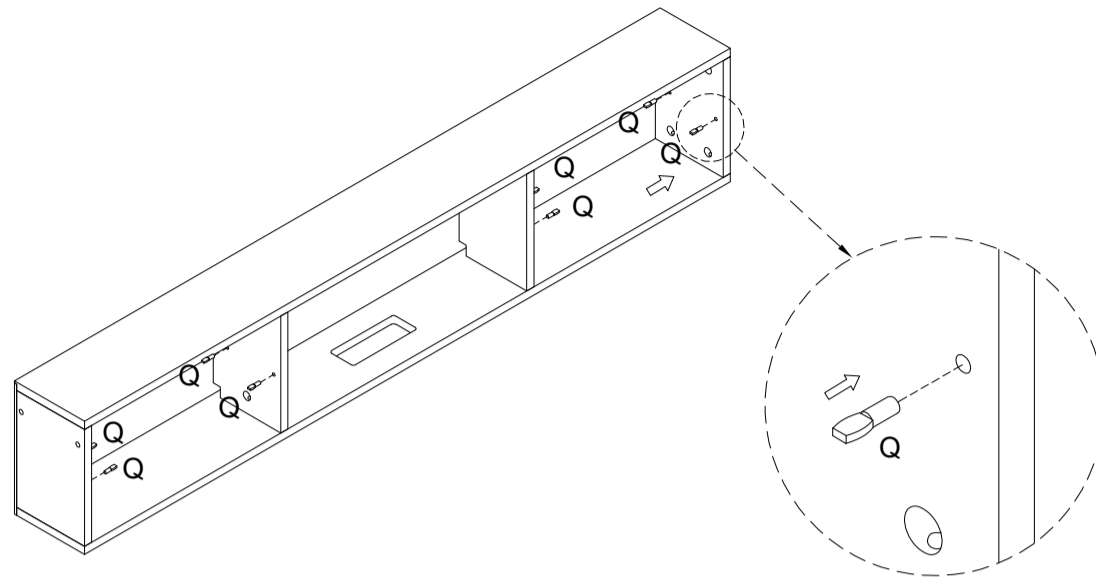
STEP 6

K
 M4x15
14 PCS

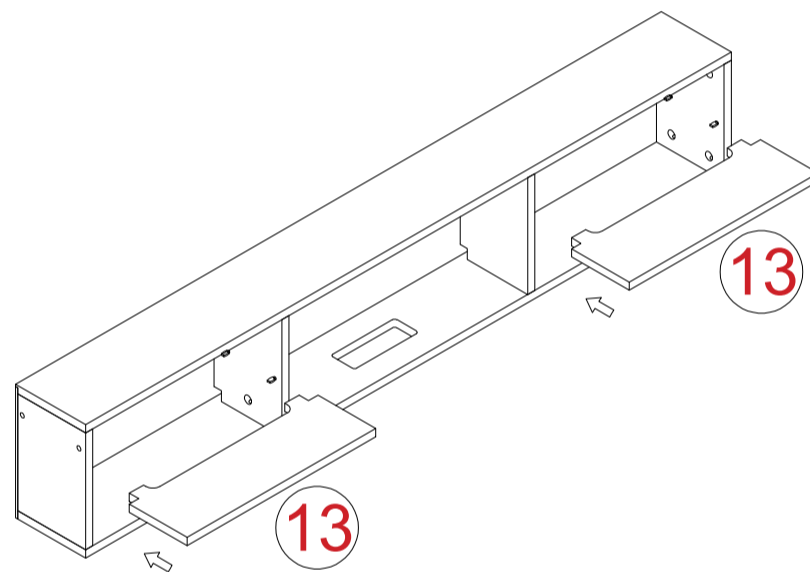


STEP 7

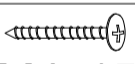
Q
 Ø6x24
8PCS

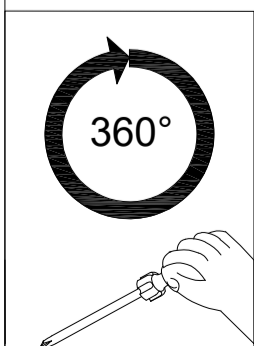
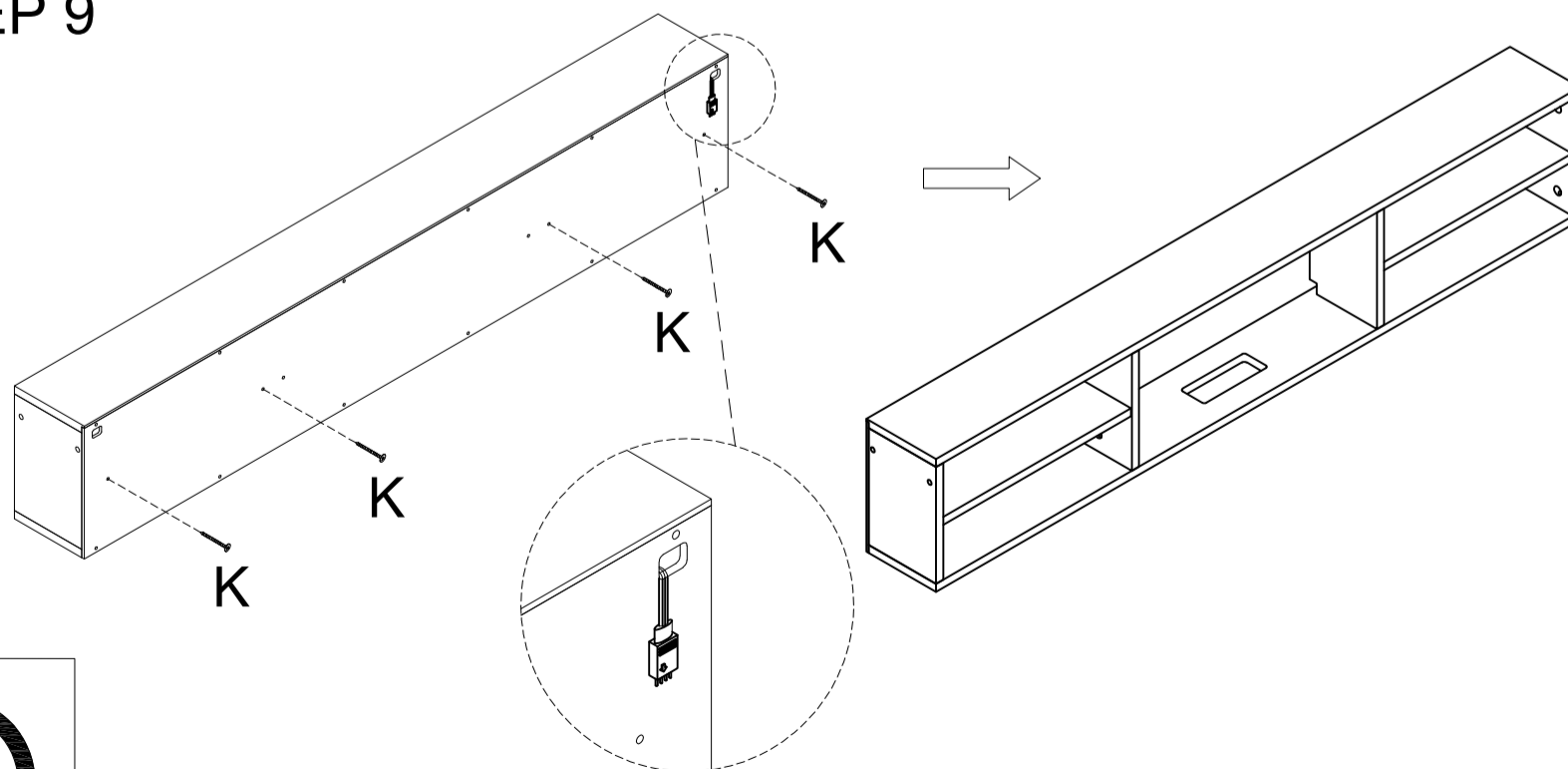


STEP 8

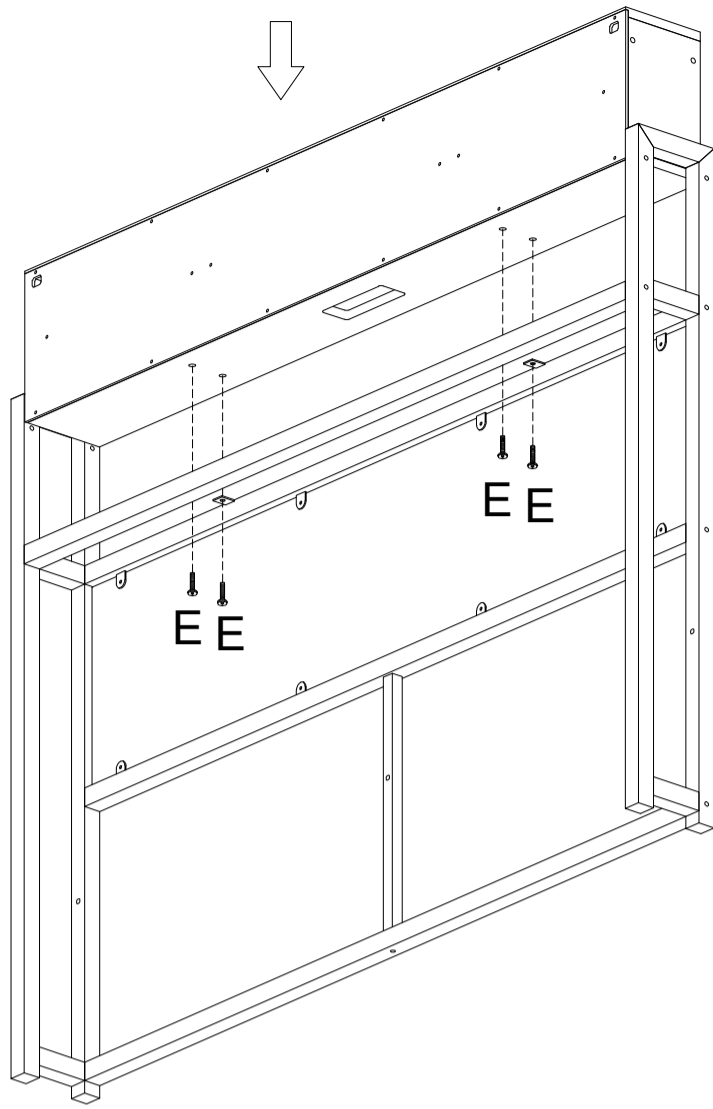


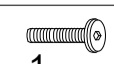
STEP 9

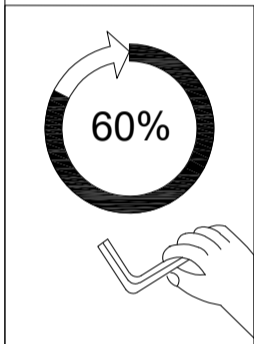
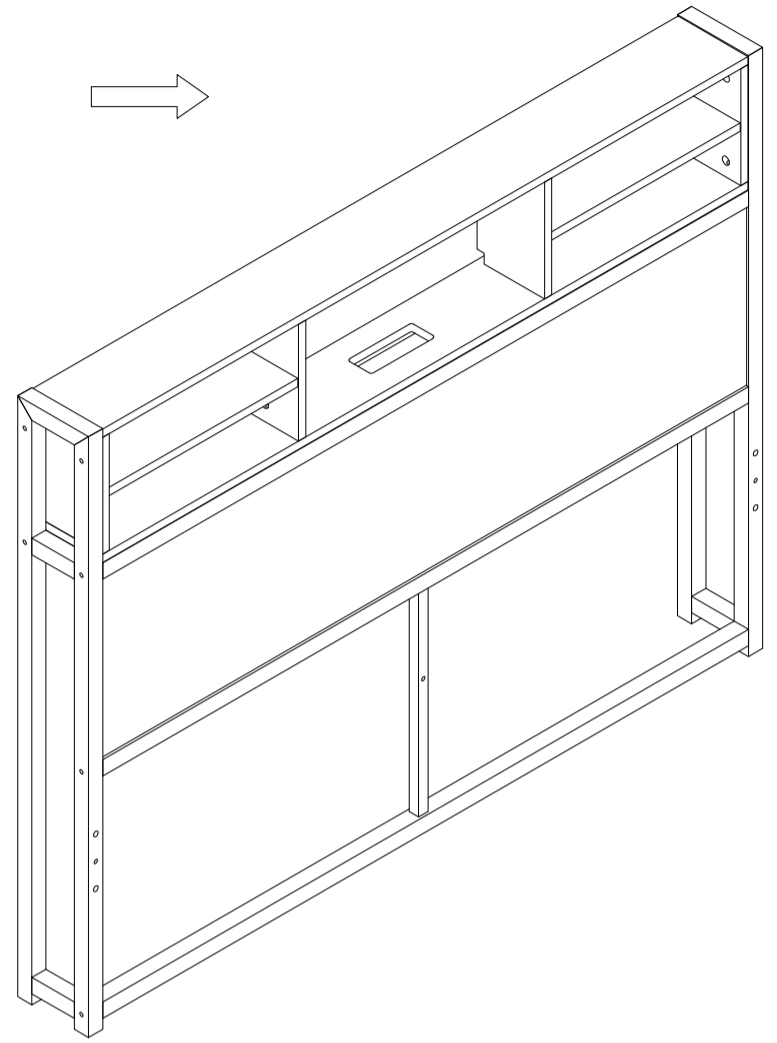
K
 M4x15
4 PCS



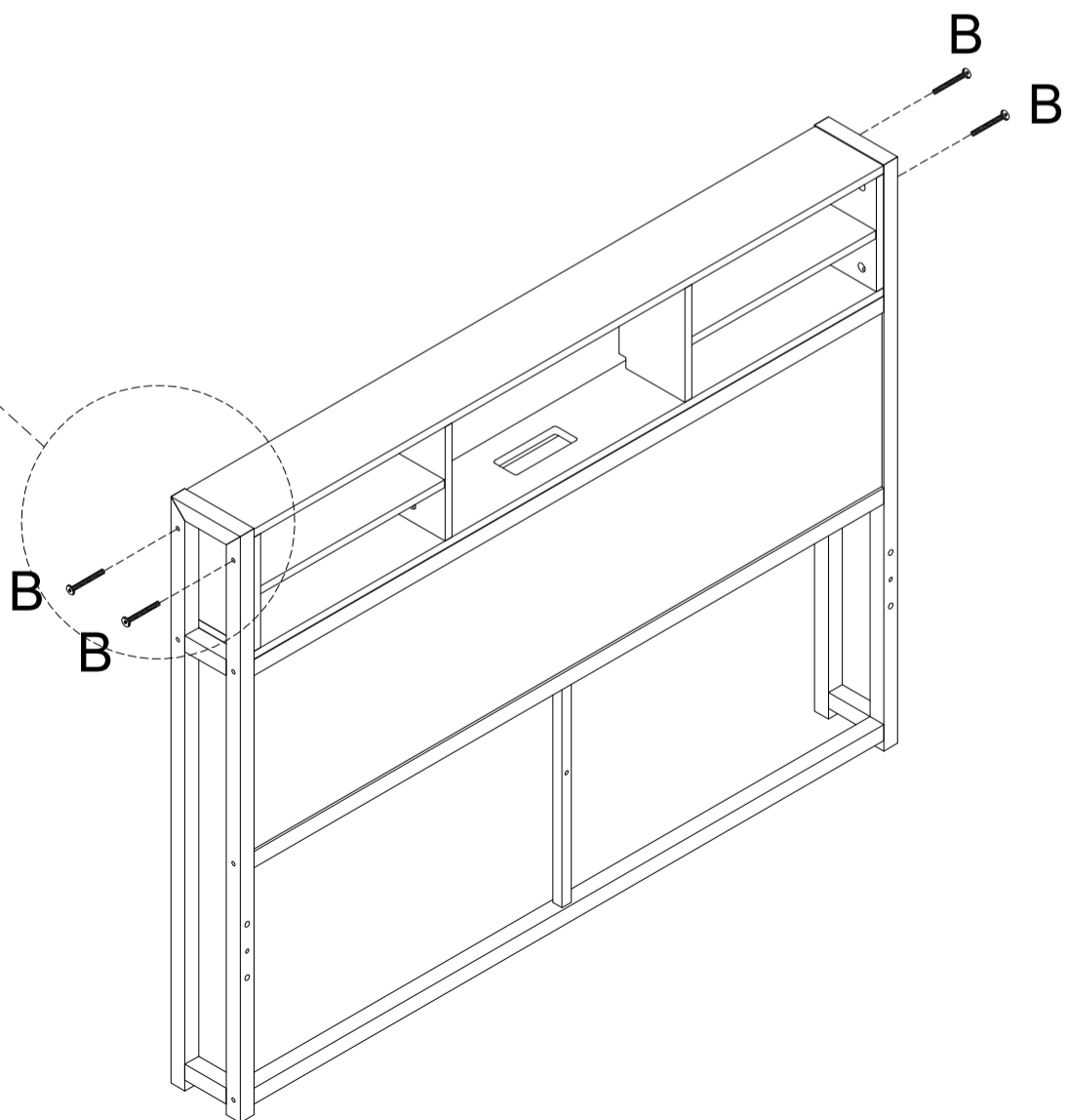
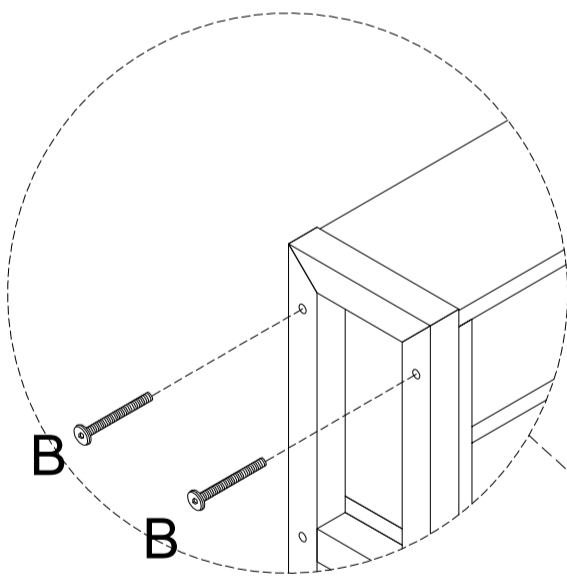
STEP 10

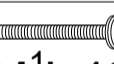


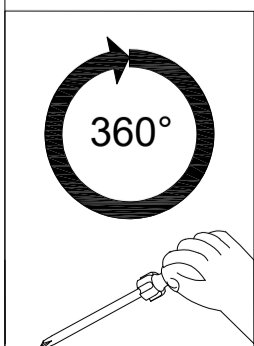
E
 M $\frac{1}{4}$ "x15
4 PCS




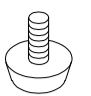
STEP 11

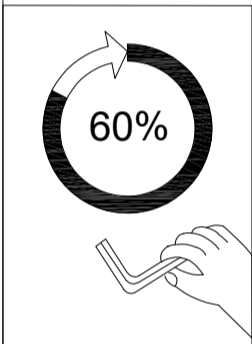
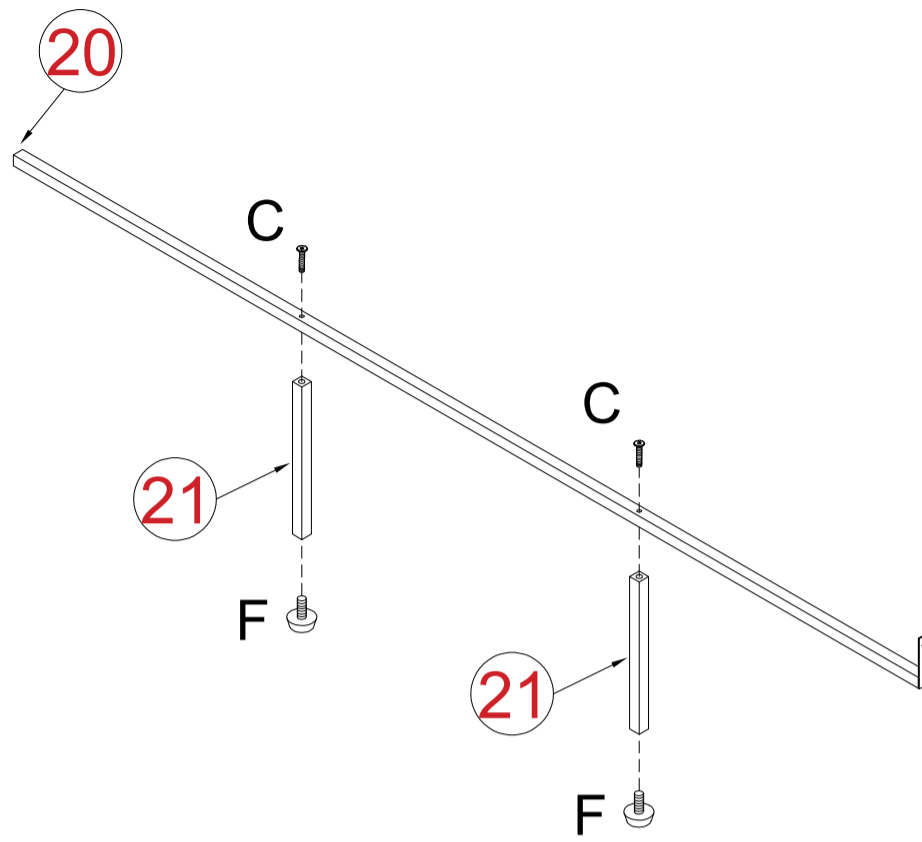


B
 M $\frac{1}{4}$ "x40
4 PCS


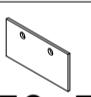


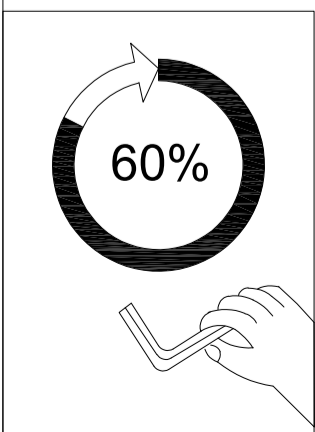
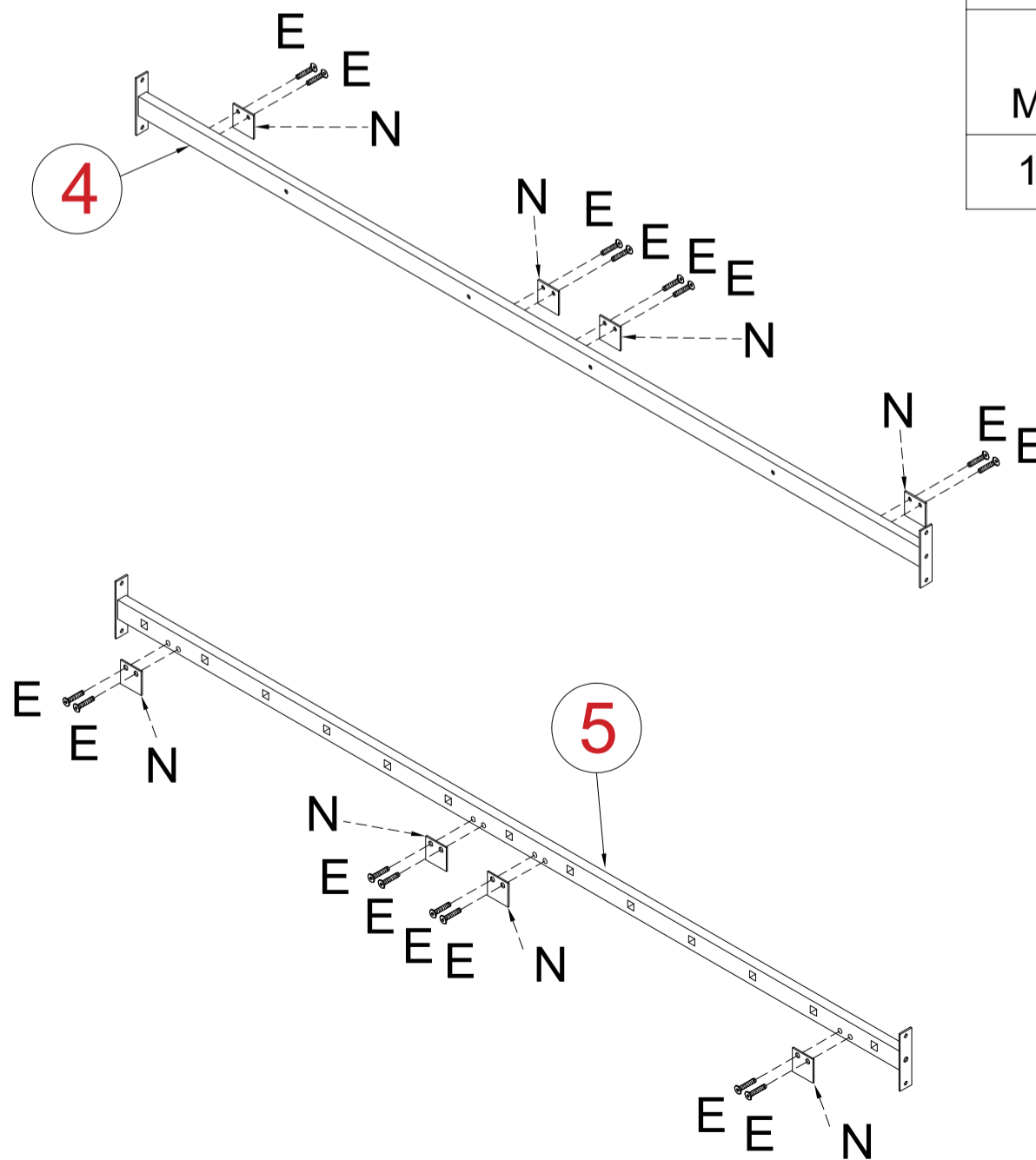
STEP 12

C	F
 M1/4x35	 1/4"x7
2 PCS	2 PCS

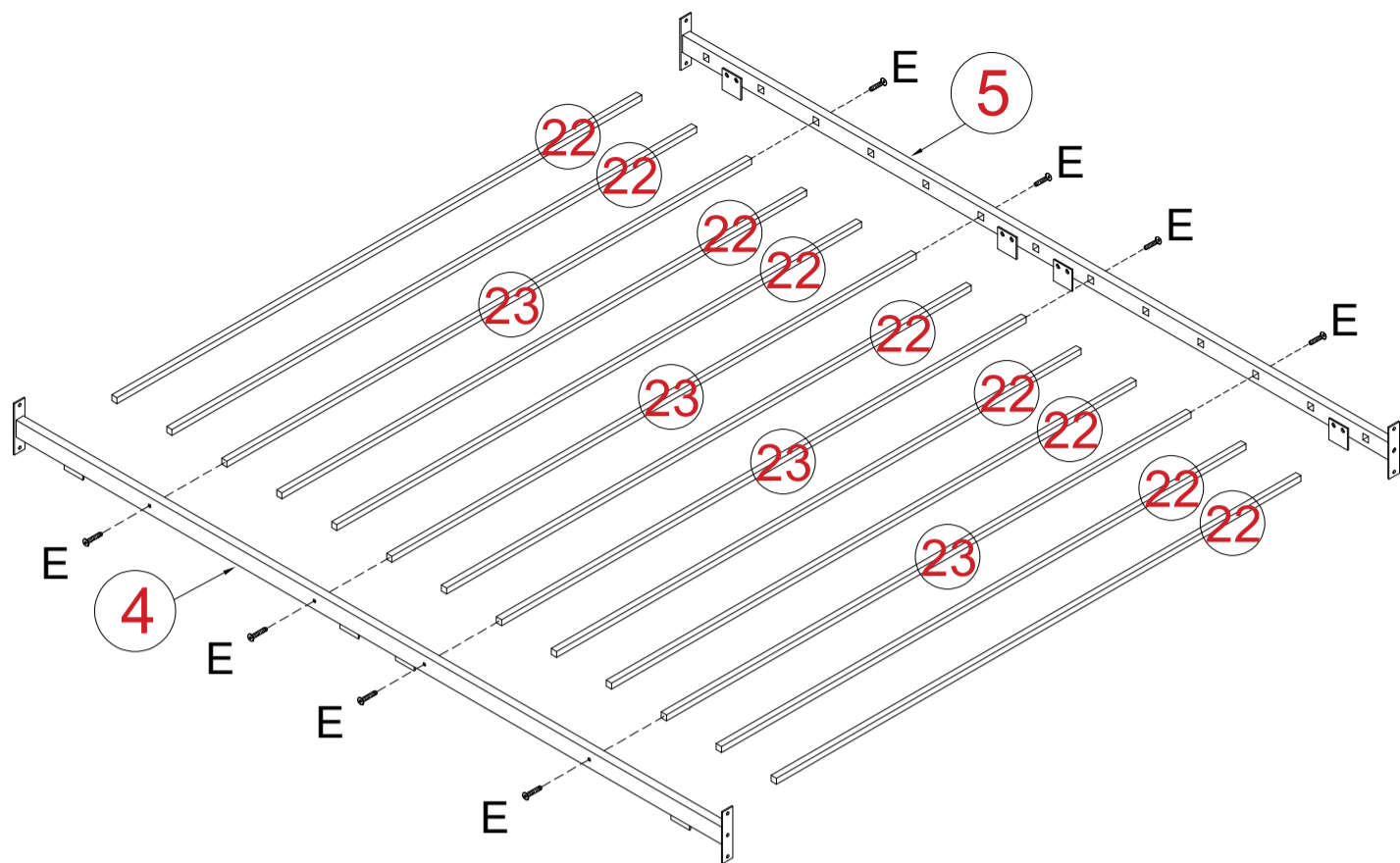



STEP 13

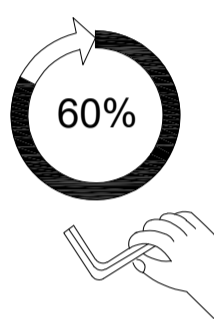
E	N
 M1/4x15	 3x50x50
16 PCS	8PCS



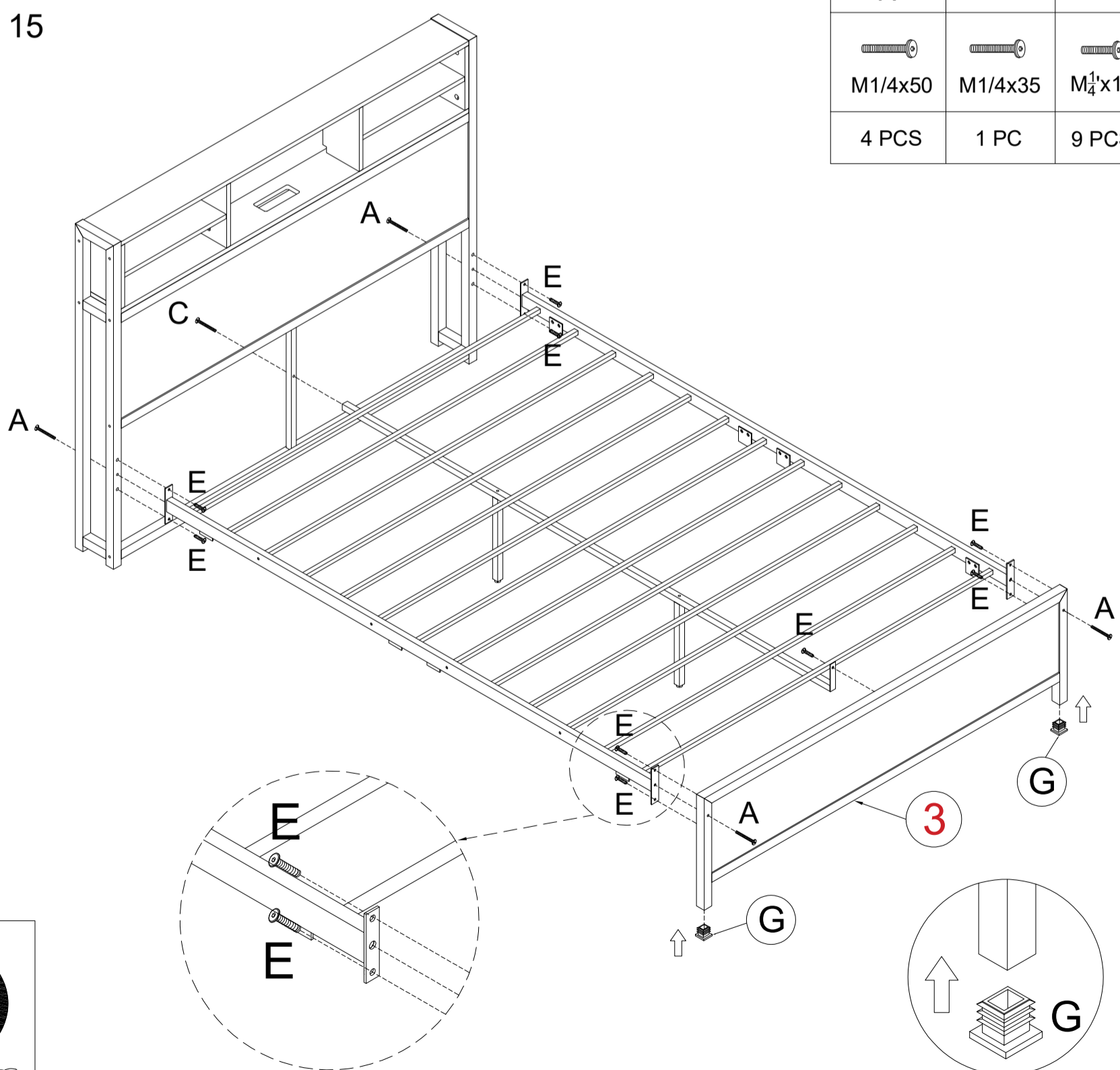
STEP 14







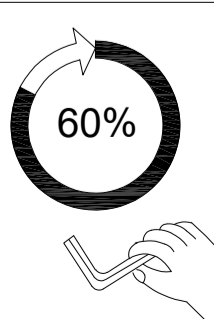
E
 M $\frac{1}{4}$ "x15
8 PCS



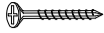
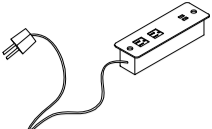
STEP 15

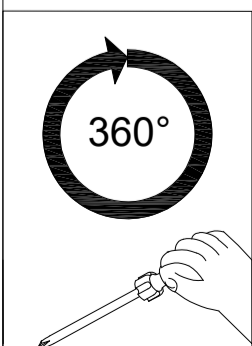
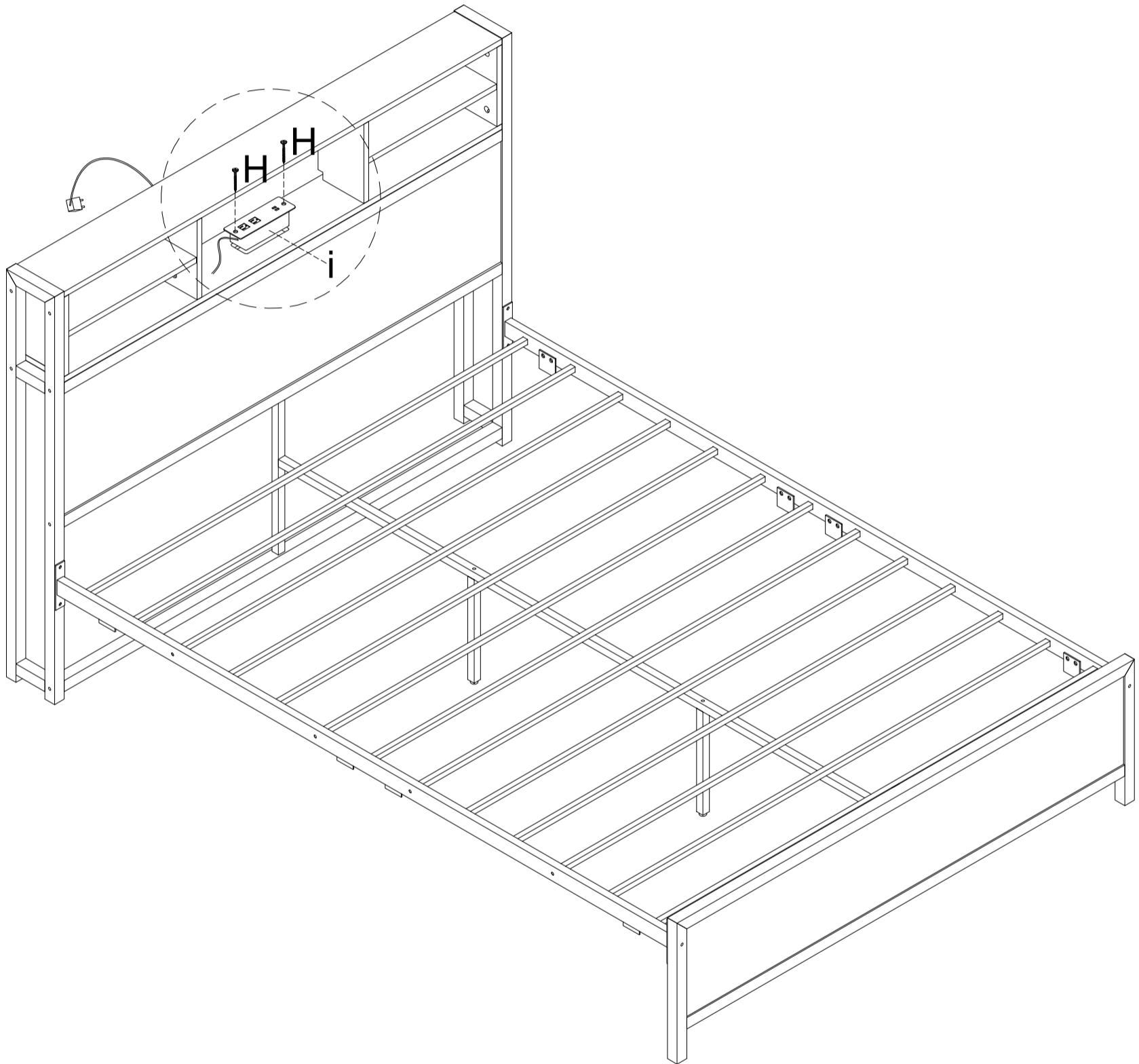


A	C	E	G
 M1/4x50	 M1/4x35	 M $\frac{1}{4}$ "x15	 #30x30x13
4 PCS	1 PC	9 PCS	2 PCS




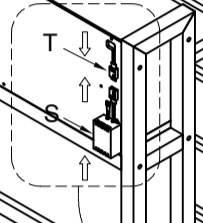
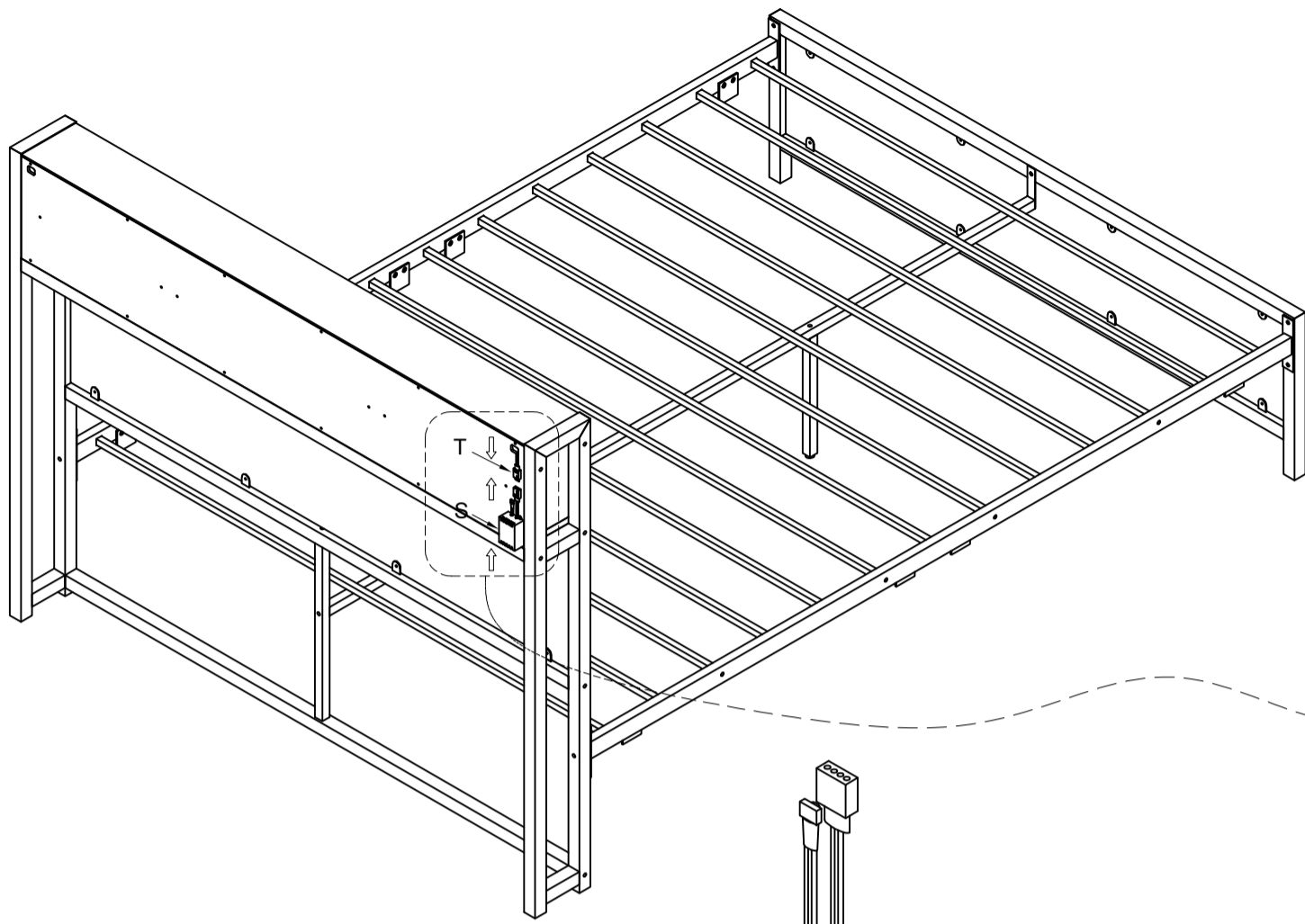
STEP 16

H	i
	
M3.5x15	174x55x45H
2 PCS	1 PC

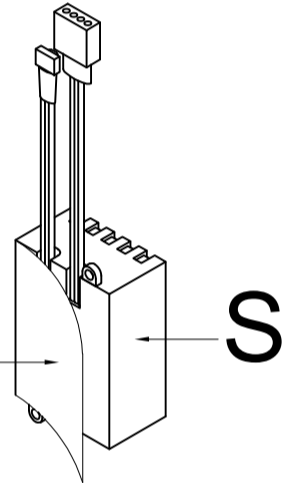


STEP 17

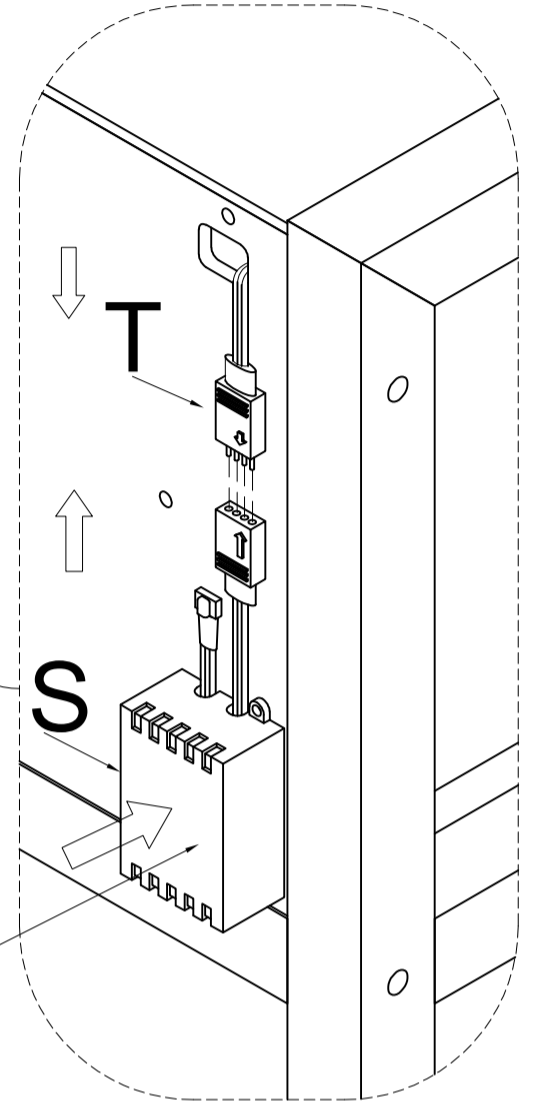
S
 22x35x50
1PC



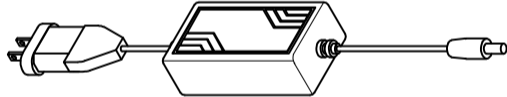
Remove the
outer layer of
paper

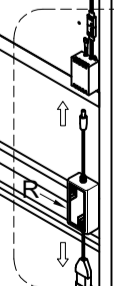
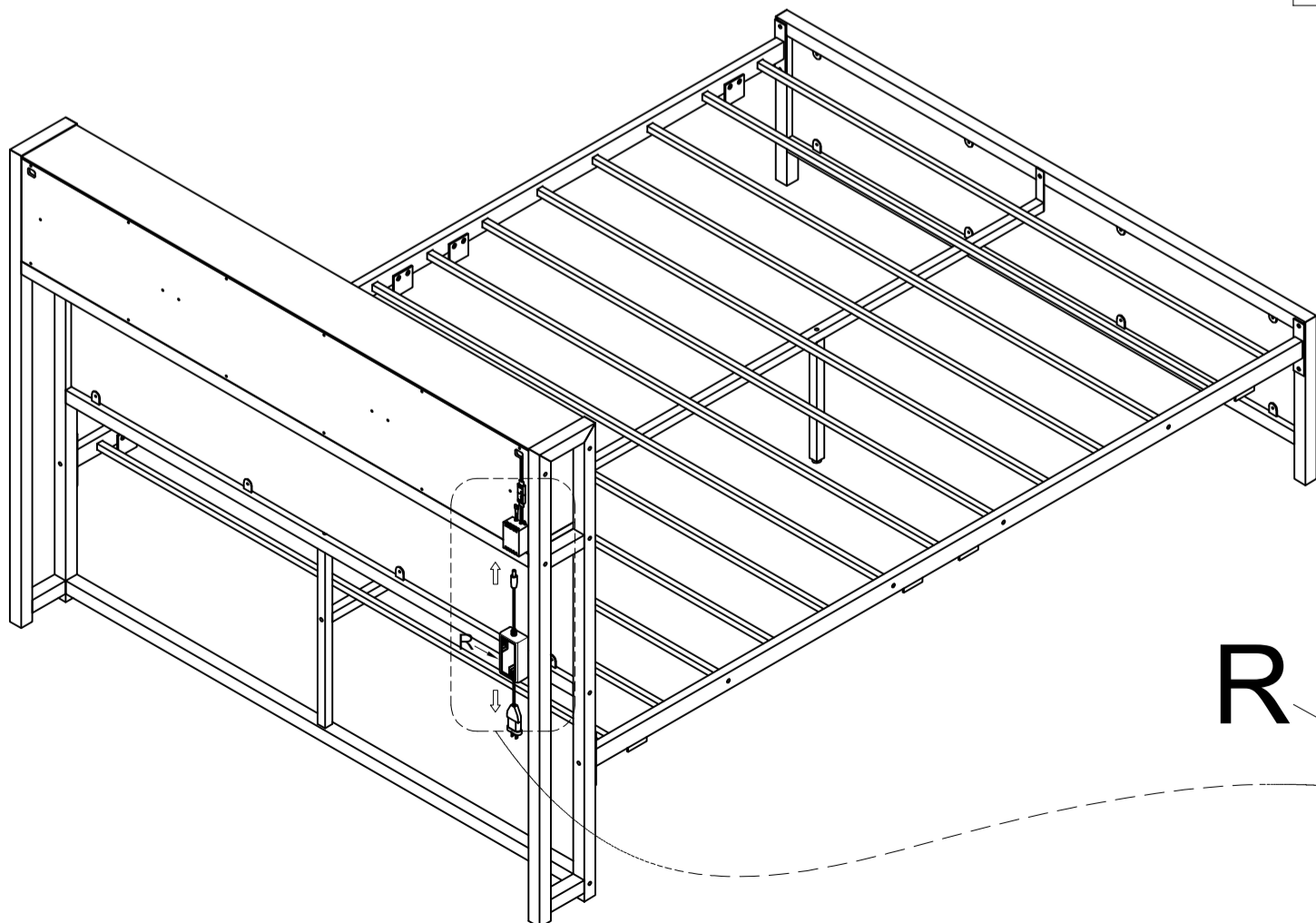


Stick it to the
back plate

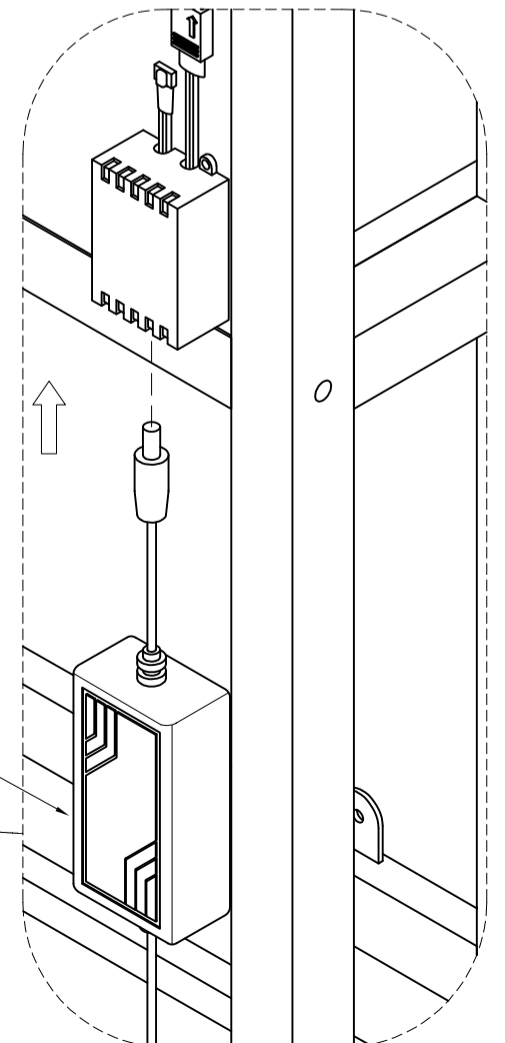


STEP 18

R
 30x50x95
1PC

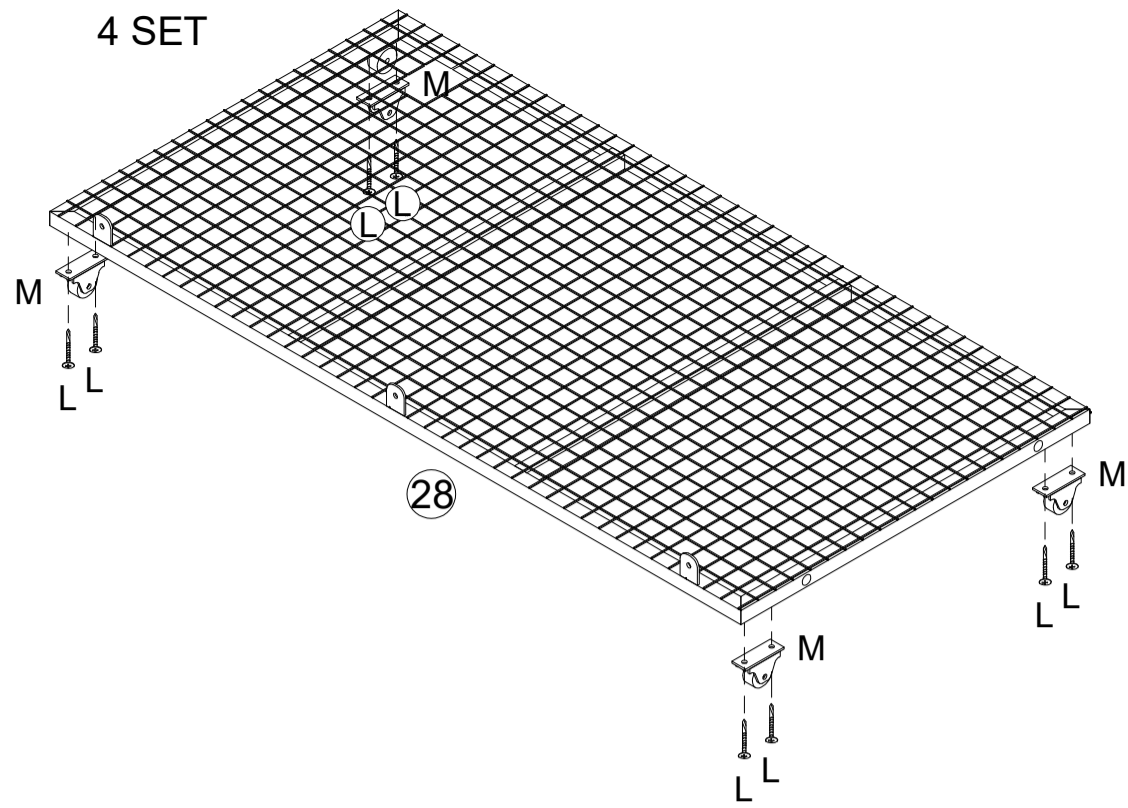



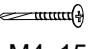
R

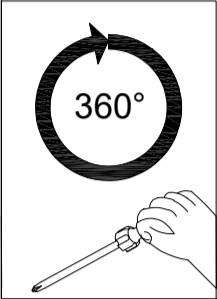


STEP 19

4 SET

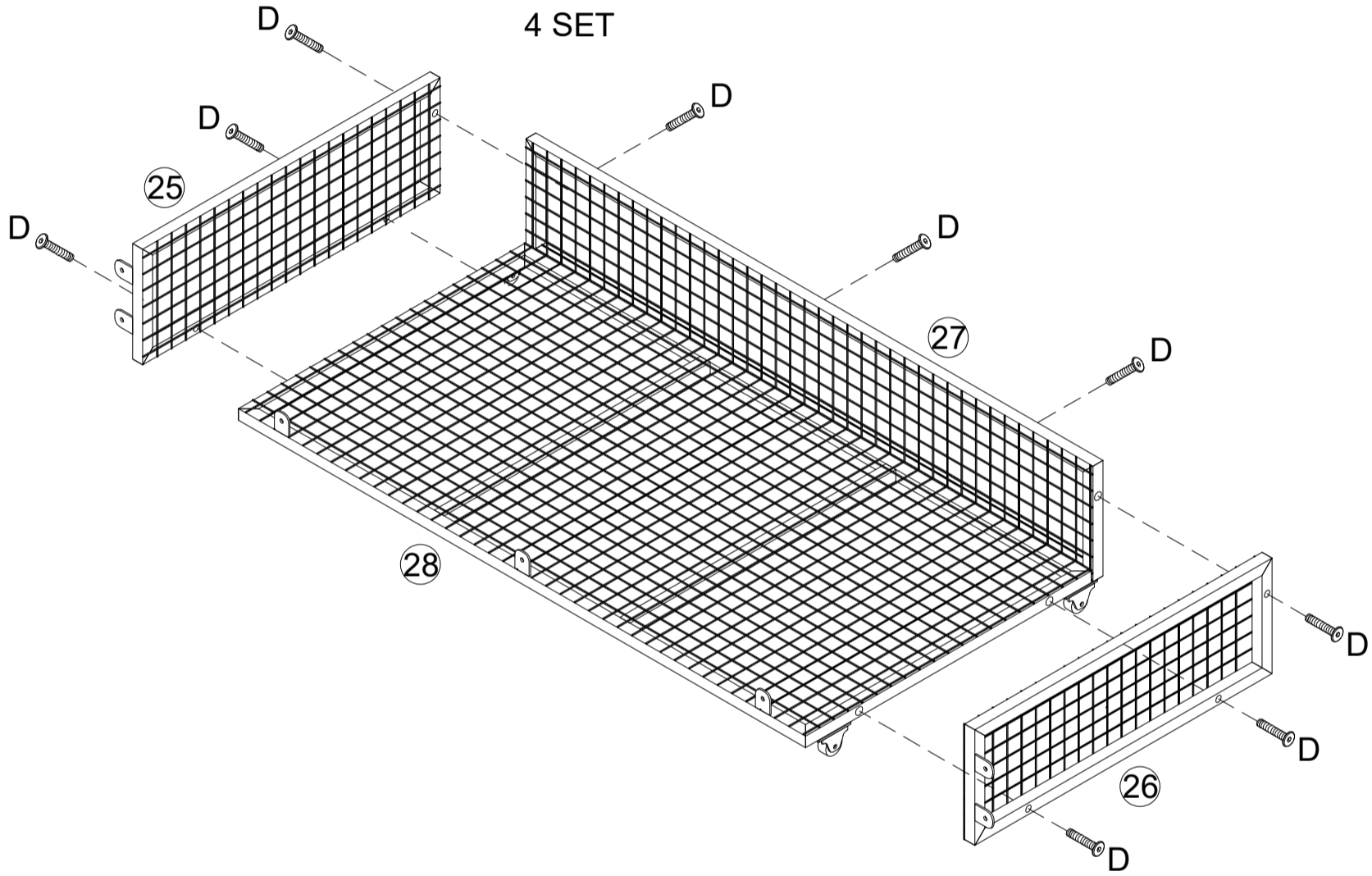


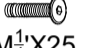
M	L
	
15x20x40H	M4x15
16 PCS	32 PCS

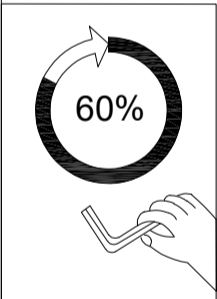


STEP 20

4 SET

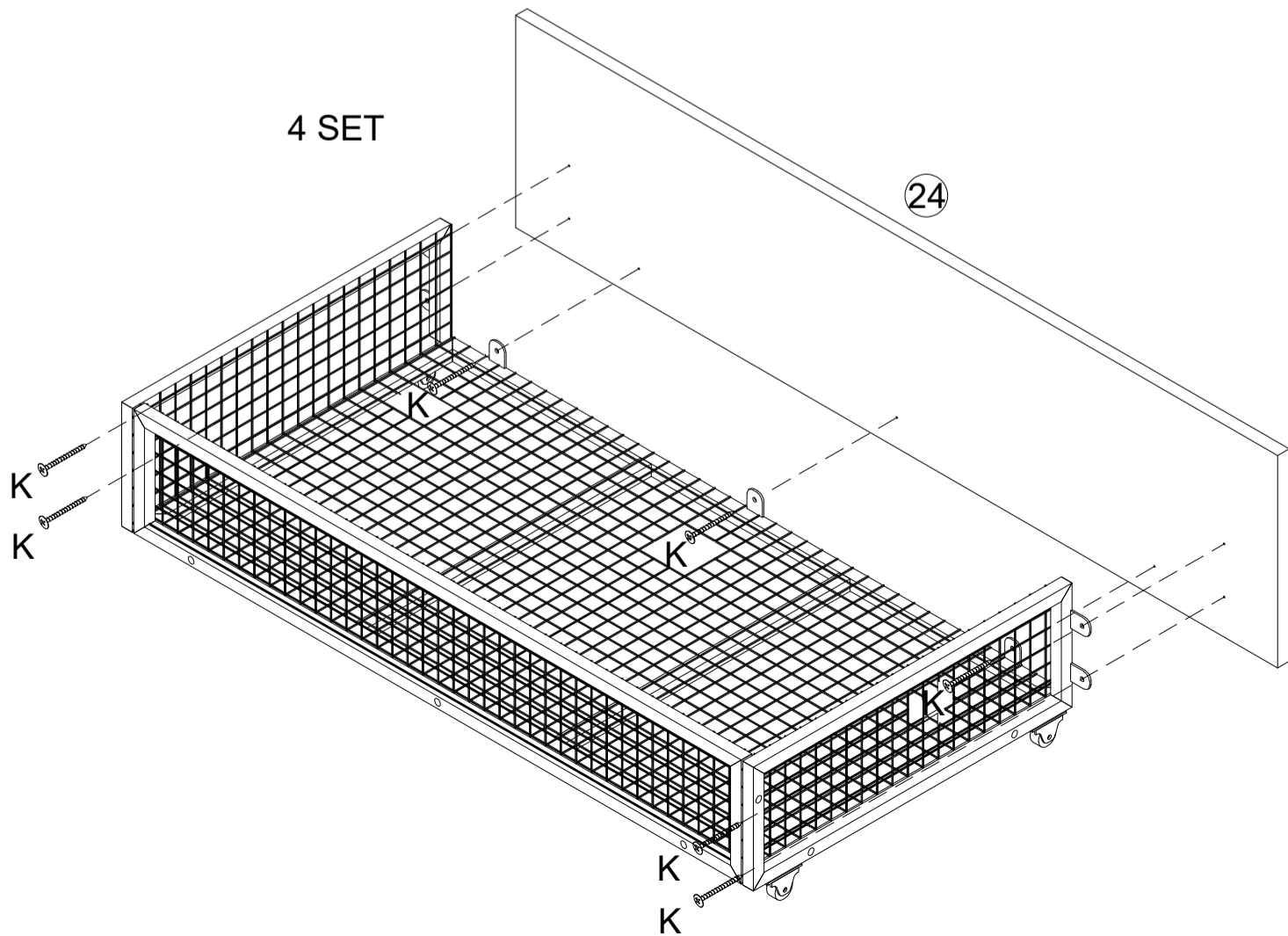


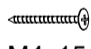
D

M $\frac{1}{4}$ X25
36 PCS

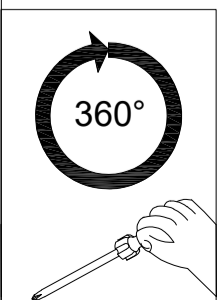


STEP 21

4 SET

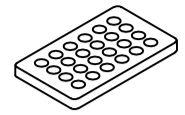


K

M4x15
28 PCS



STEP 22

U



remote control

1PC

