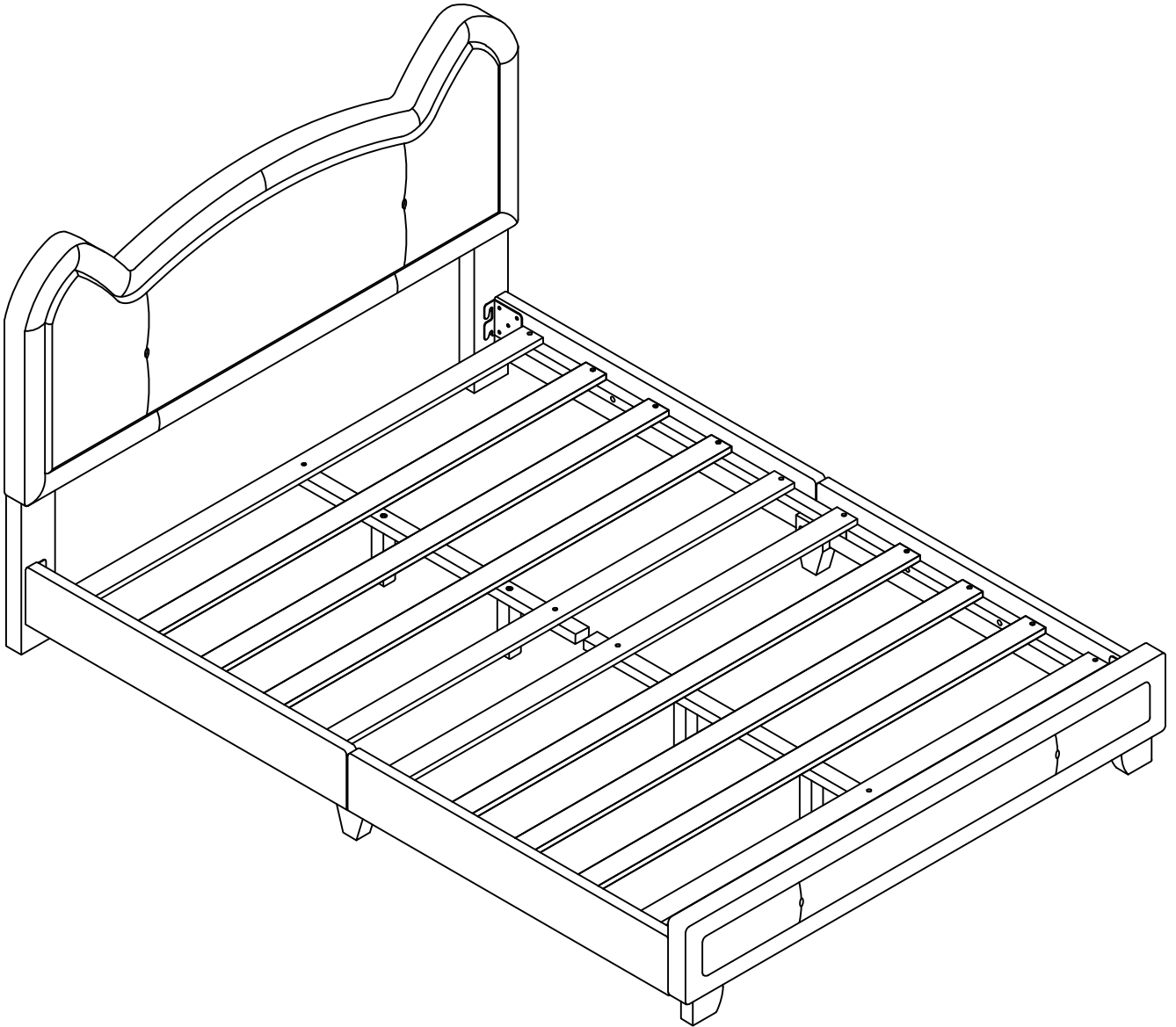


ASSEMBLY INSTRUCTIONS

WF 313160



IMPORTANT NOTE

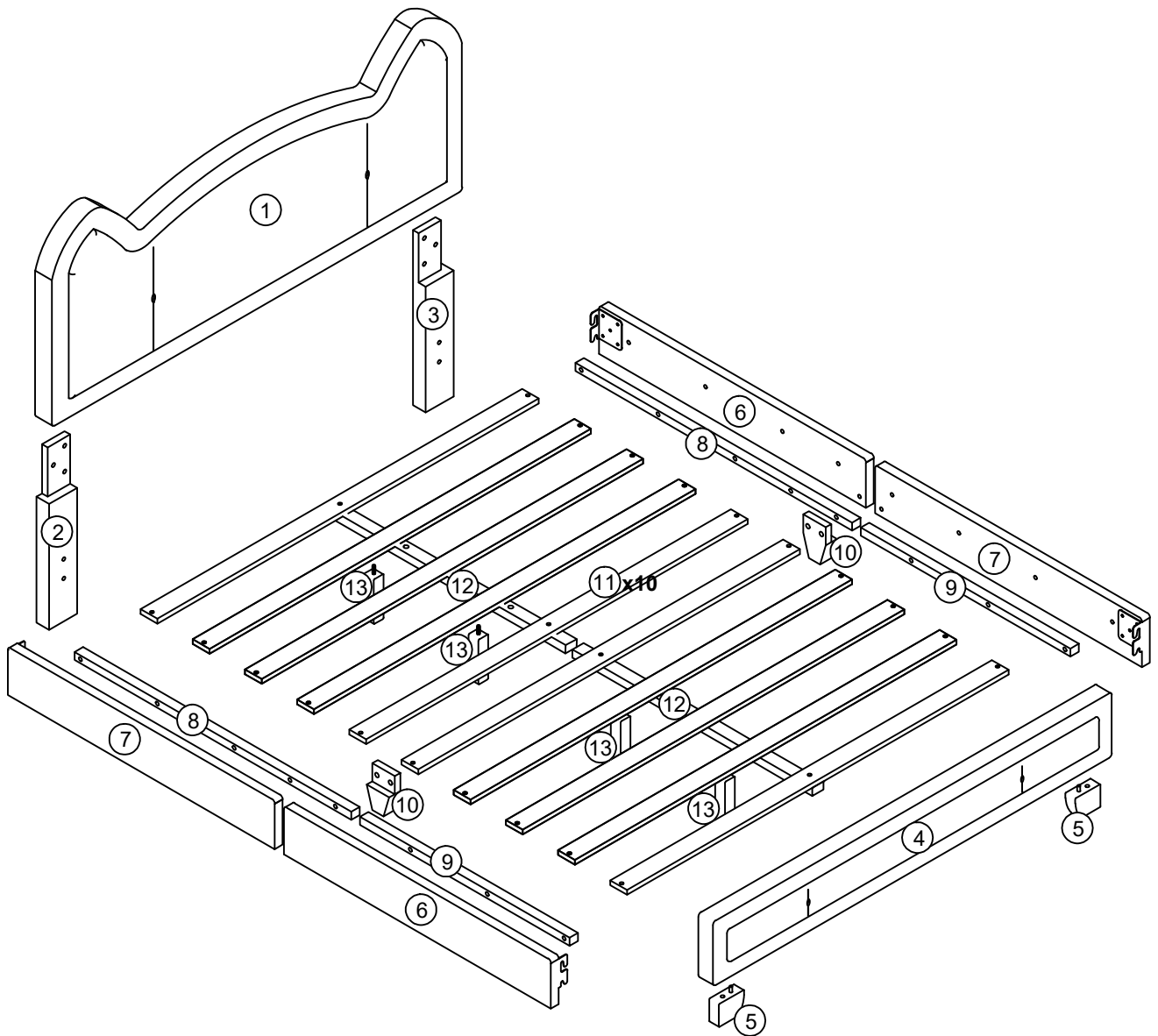
****PLACE ALL PARTS ON A CLEAN AND SMOOTH SURFACE SUCH AS A RUG OR CARPET TO AVOID THE PARTS FROM BEING SCRATCHED**

**** BEFORE YOU BEGIN , KINDY FOLLOW THE ASSEMBLY INSTRUCTIONS STEP BY STEP**

****DO NOT TIGHTEN ALL SCREWS AND BOLTS UNTIL THE BED IS FULLY SET-UP**

ASSEMBLY INSTRUCTIONS

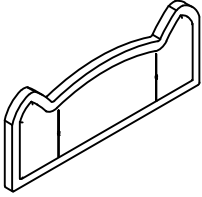

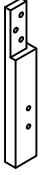
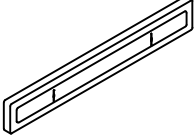
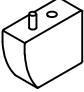
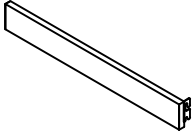
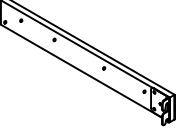
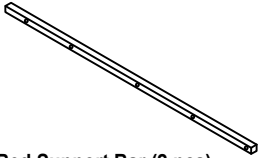
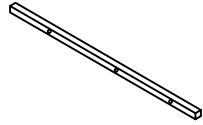
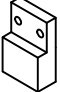

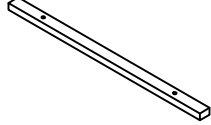
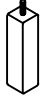
WF 313160



ASSEMBLY INSTRUCTIONS

WF 313160





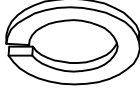


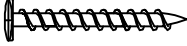
PART LIST BOX 1: WF 313160

<p>1</p>  <p>Headboard Panel (1 pc)</p>	<p>2</p>  <p>Left Headboard leg(1 pc)</p>	<p>3</p>  <p>Right Headboard Leg(1 pc)</p>
<p>4</p>  <p>Footboard Panel (1 pc)</p>	<p>5</p>  <p>Leg (2 pcs)</p>	<p>6</p>  <p>Side Rail (2 pcs)</p>
<p>7</p>  <p>Side Rail (2pcs)</p>	<p>8</p>  <p>Bed Support Bar (2 pcs)</p>	<p>9</p>  <p>Bed Support Bar (2 pcs)</p>
<p>10</p>  <p>Rail support legs (2pcs)</p>	<p>11</p>  <p>Slat Roll (10 pcs) <small>(1365x60x15mm)</small></p>	<p>12</p>  <p>Center Rail (2 pcs)</p>
<p>13</p>  <p>Support leg (4 pcs)</p>		

ASSEMBLY INSTRUCTIONS

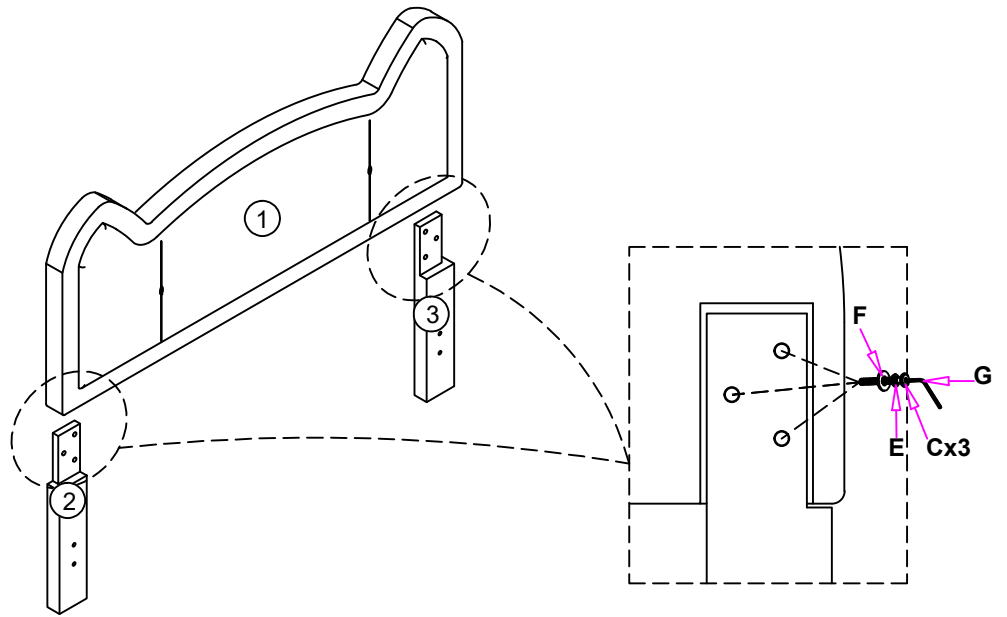
WF 313160





HARDWARE LIST IN WF 313160

<p>A</p>  <p>Short Bolt (8 pcs) (5/16"x25mm)</p>	<p>B</p>  <p>Long Bolt (16 pcs) (5/16"x45mm)</p>	<p>C</p>  <p>Long Bolt (10 pcs) (5/16"x38mm)</p>
<p>D</p>  <p>Long Bolt (2 pcs) (5/16"x50mm)</p>	<p>E</p>  <p>Spring Washer (36 pcs)</p>	<p>F</p>  <p>Flat Washer (36 pcs)</p>
<p>G</p>  <p>Allen Wrench (1 pc) (M4x75mm x32mm)</p>	<p>H</p>  <p>Flat Head Screw (24 pcs) (M4x30mm)</p>	

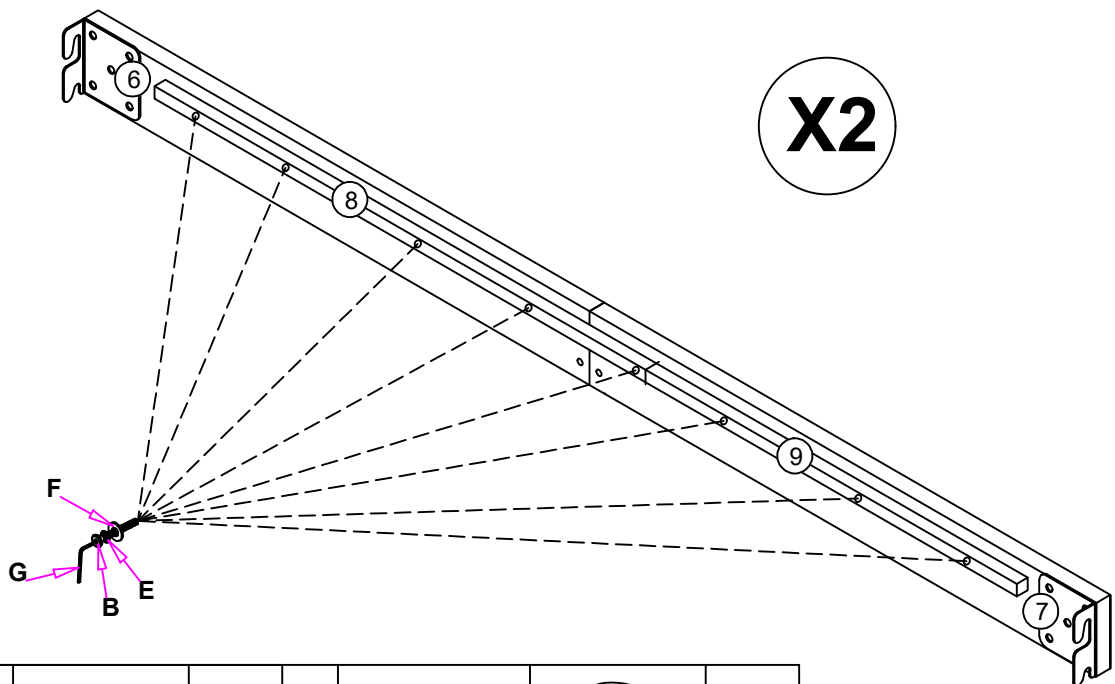
ASSEMBLY INSTRUCTIONS





STEP 1



C	Bolt (5/16"x38mm)		6pcs	E	Spring Washer		6pcs
G	Allen Wrench (M4x75mm x32mm)		1pc	F	Flat Washer		6pcs

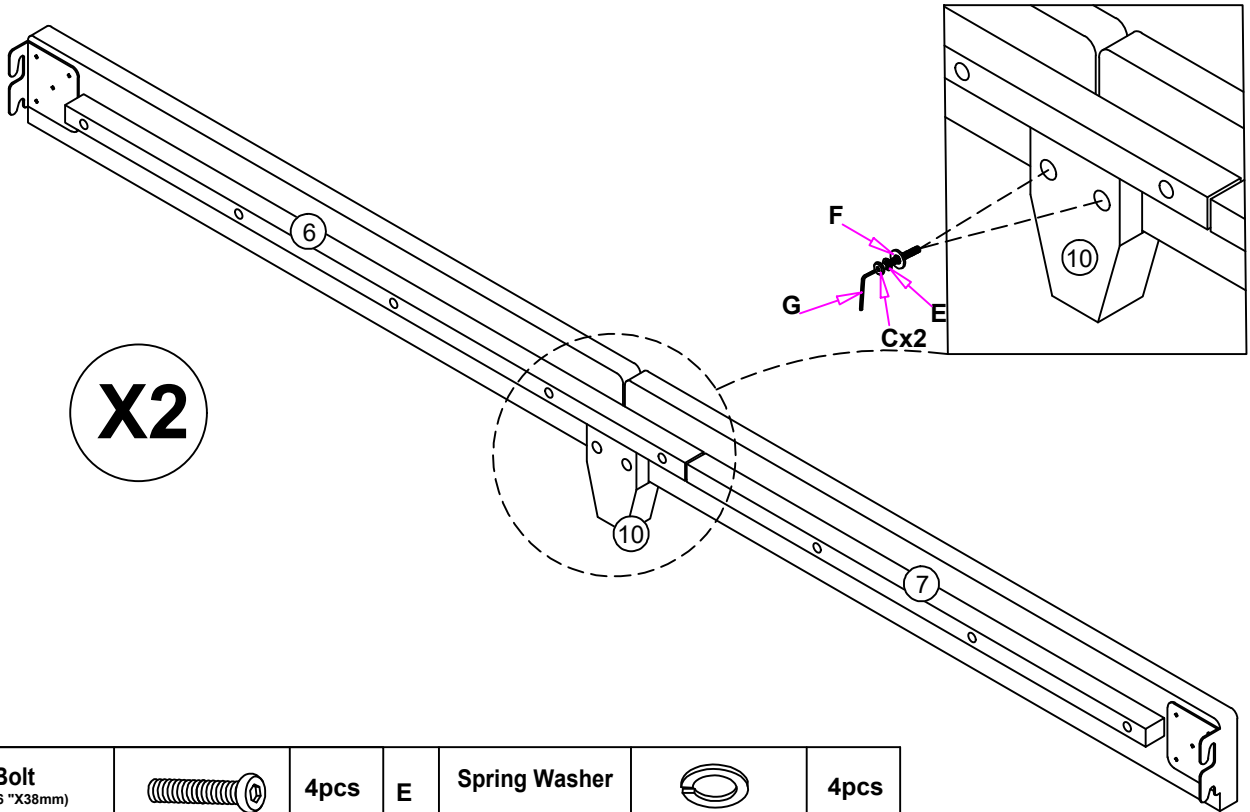
STEP 2







B	Bolt (5/16"x45mm)		16pcs	E	Spring Washer		16pcs
G	Allen Wrench (M4x75mm x32mm)		1pc	F	Flat Washer		16pcs

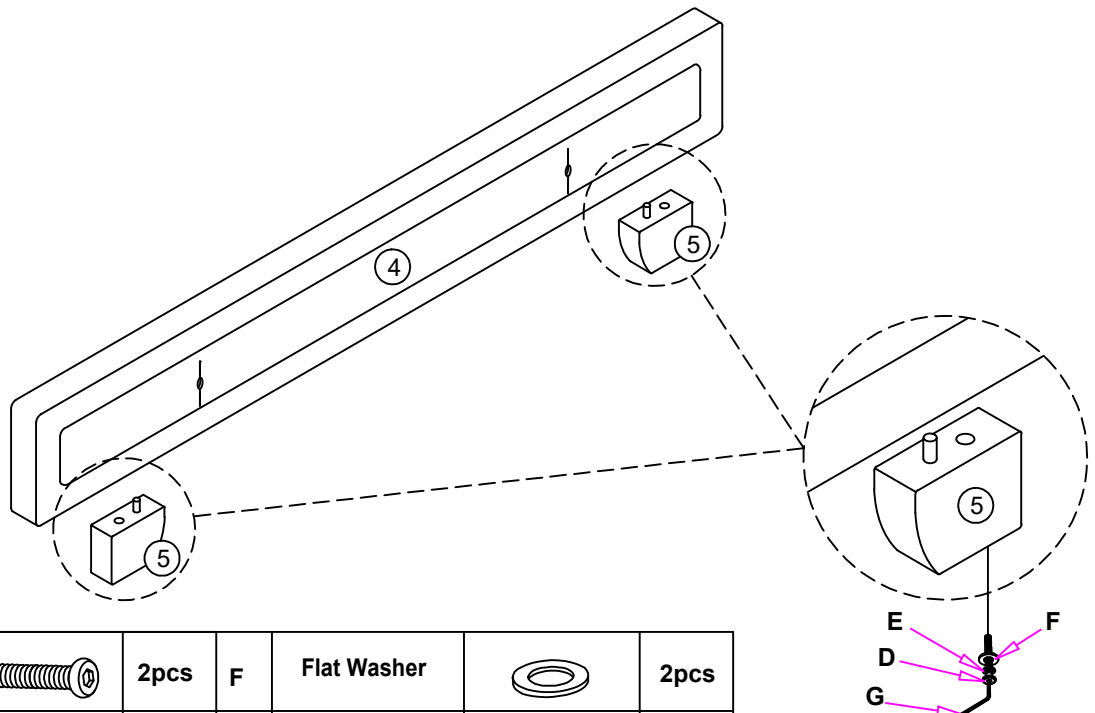
ASSEMBLY INSTRUCTIONS





STEP 3



C	Bolt (5/16" X38mm)		4pcs	E	Spring Washer		4pcs
G	Allen Wrench (M4x75mm x32mm)		1pc	F	Flat Washer		4pcs

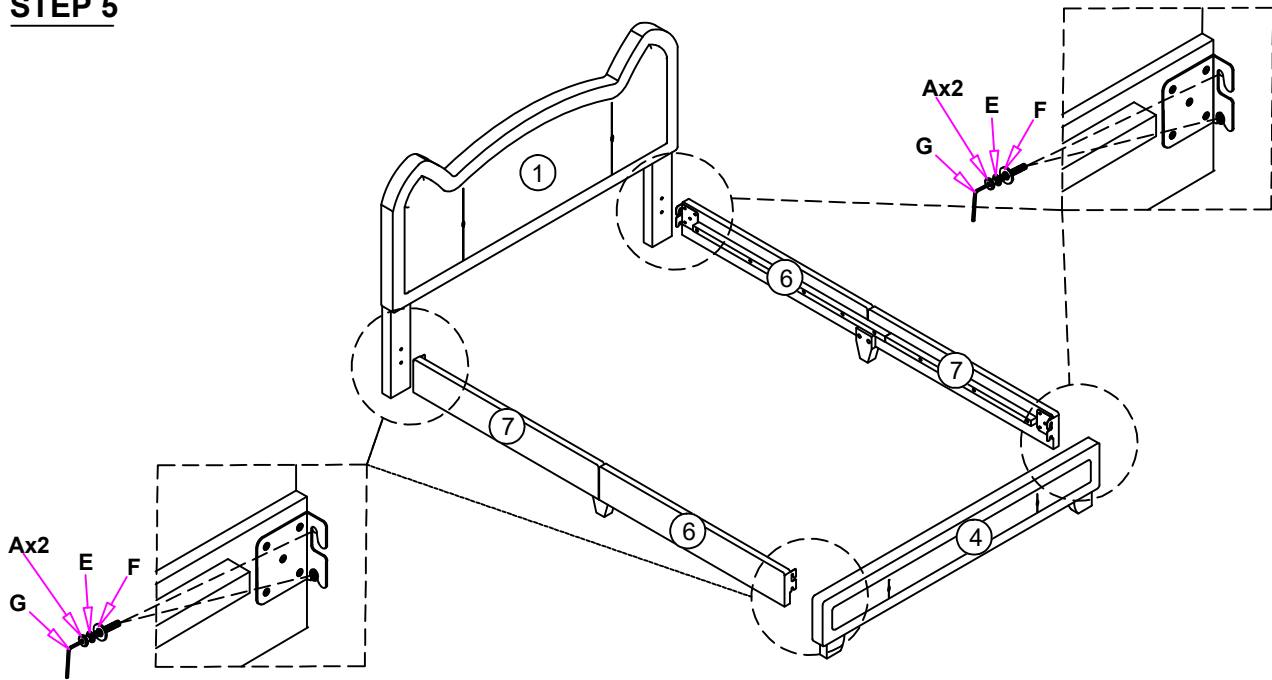
STEP 4







D	Bolt (5/16"x50mm)		2pcs	F	Flat Washer		2pcs
G	Allen Wrench (M4x75mm x32mm)		1pc	E	Spring Washer		2pcs

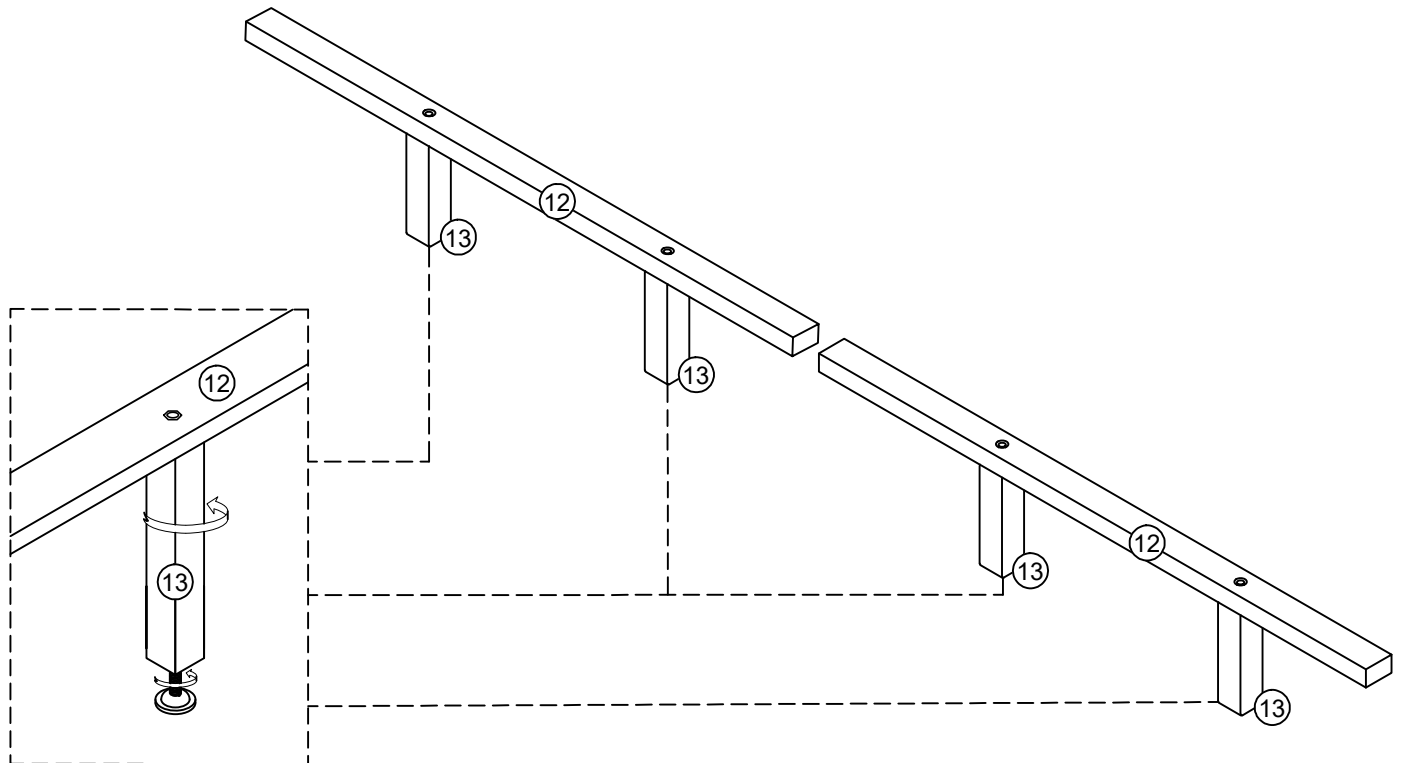
ASSEMBLY INSTRUCTIONS

STEP 5



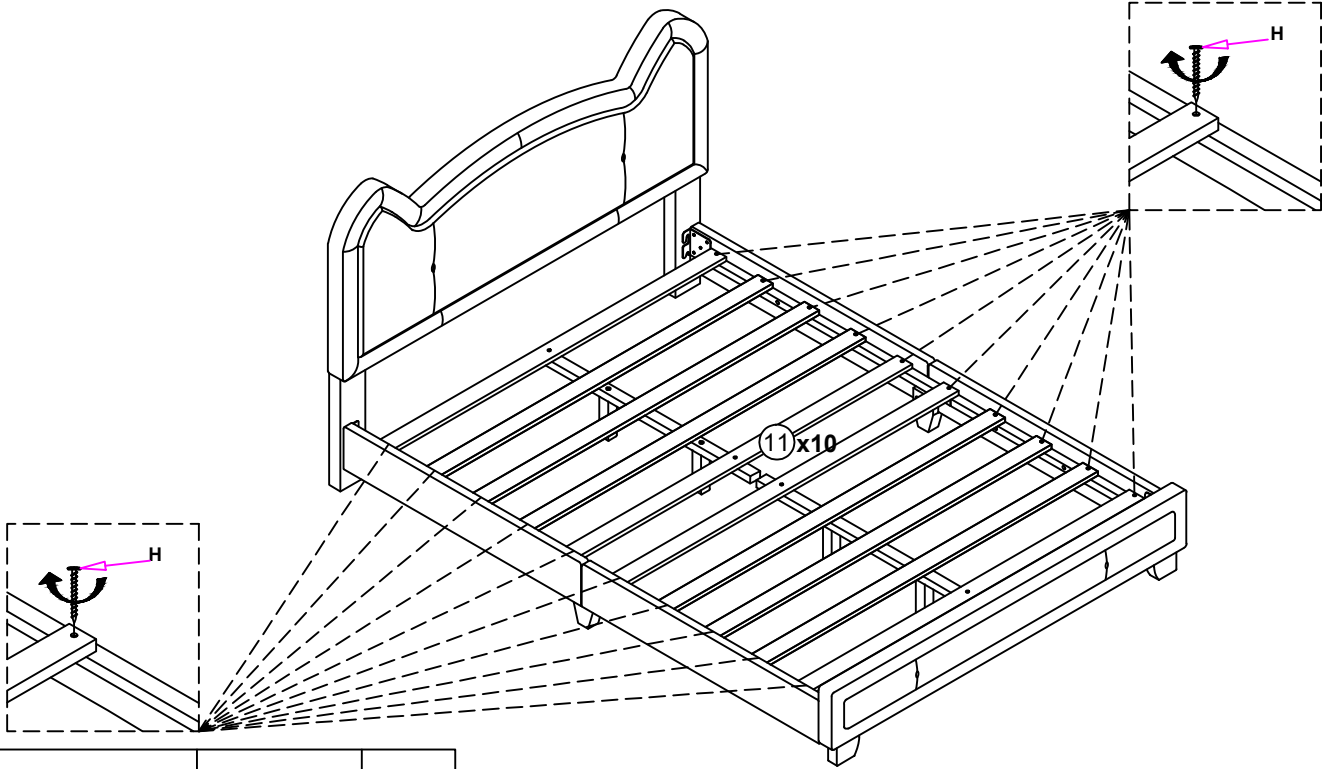
A	Bolt (5/16" X25mm)		8pcs	F	Flat Washer		8pcs
G	Allen Wrench (M4x75mm x32mm)		1pc	E	Spring Washer		8pcs

STEP 6



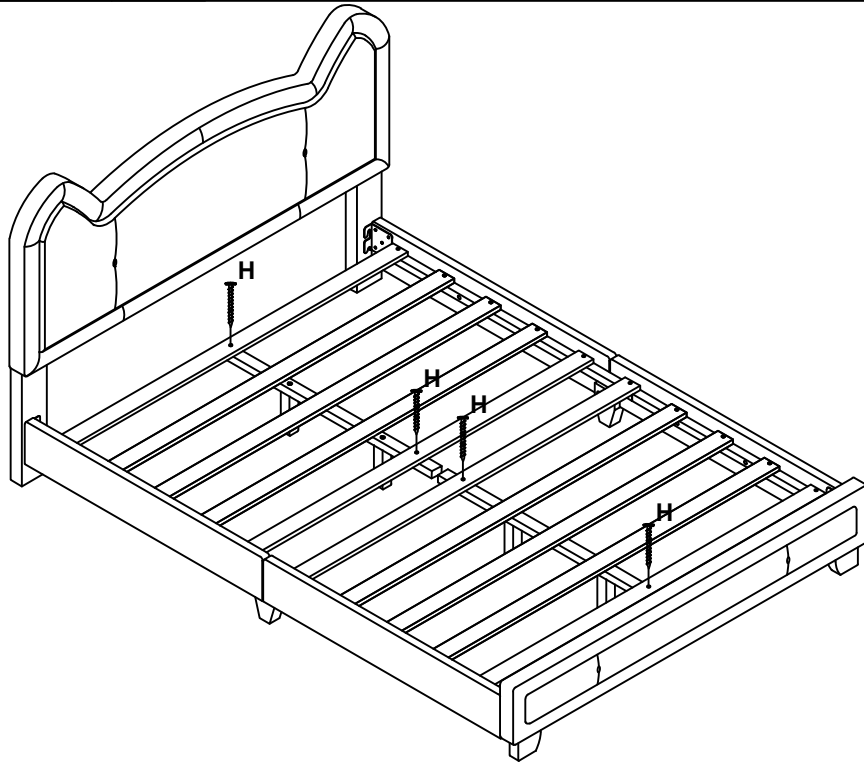
ASSEMBLY INSTRUCTIONS

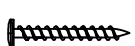
STEP 7



H	Flat Head Screw (M4x30mm)		20pcs
---	------------------------------	---	-------

STEP 8



H	Flat Head Screw (M4x30mm)		4pcs
---	------------------------------	---	------

ASSEMBLY INSTRUCTIONS

STEP 9

COMPLETE

