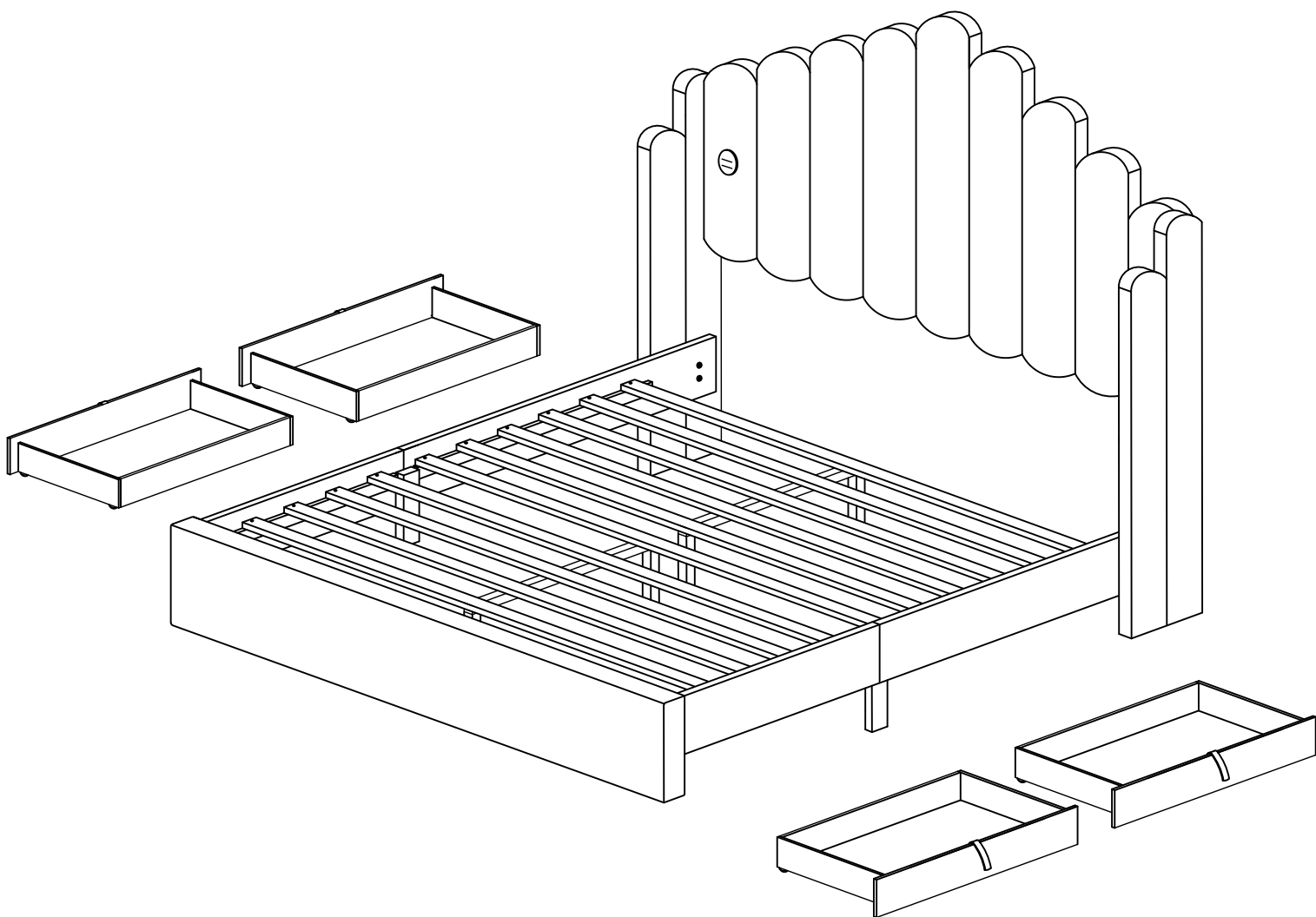
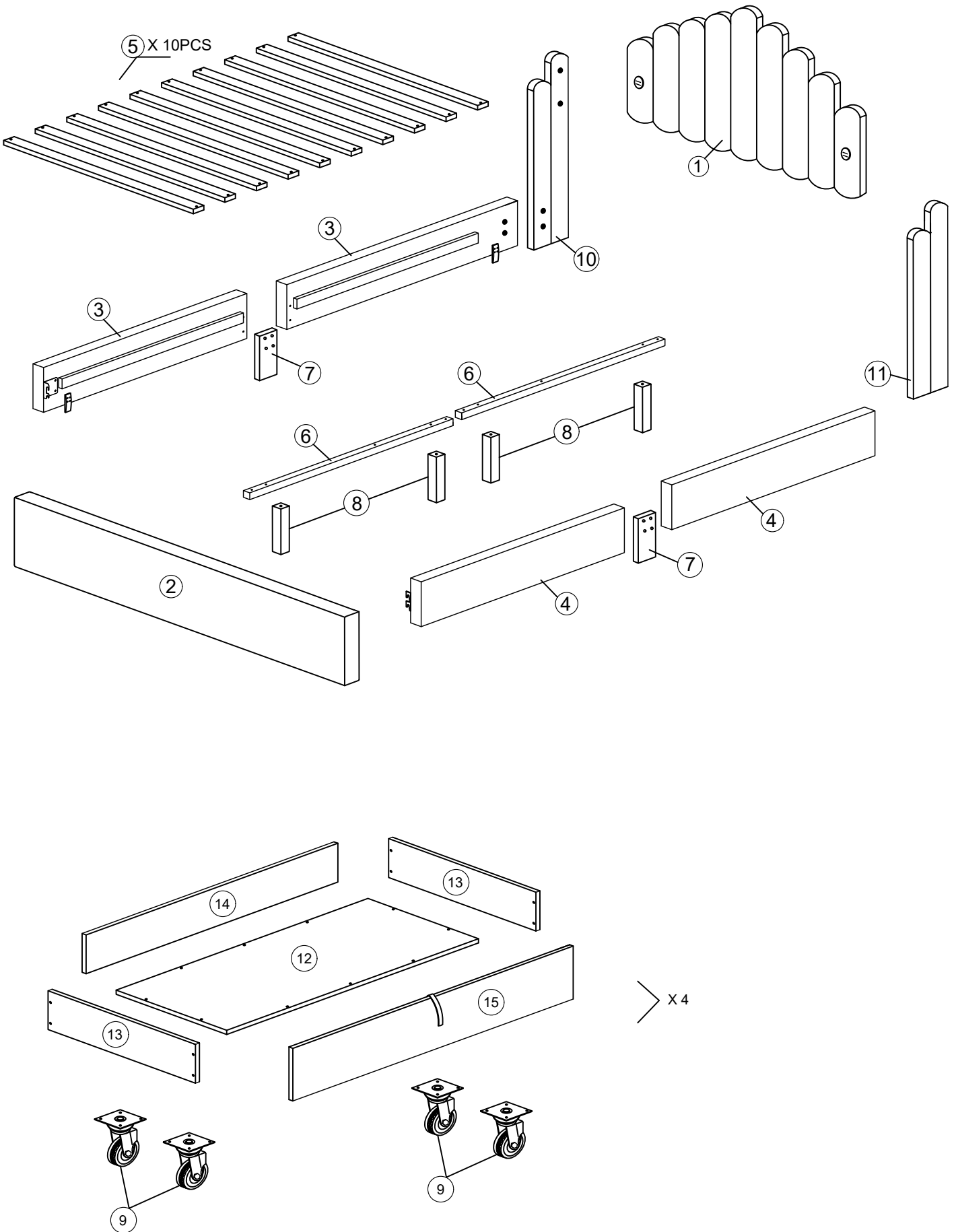


ASSEMBLY INSTRUCTION (WF317681 / WF317682)

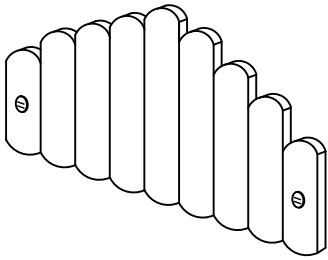


ASSEMBLY INSTRUCTION (WF317681 / WF317682)



Part List (Box 1 - WF317681)

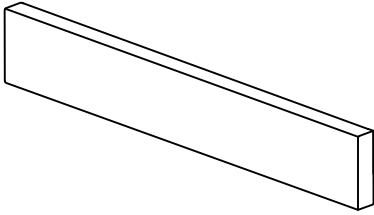
1



Headboard 1pc

The headboard consists of a series of vertical slats of varying heights, arranged in a curved pattern. Two circular cutouts are visible on the ends.

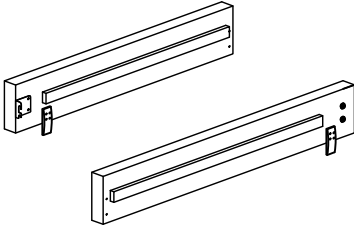
2



Footboard 1pc

The footboard is a long, thin rectangular piece of wood.

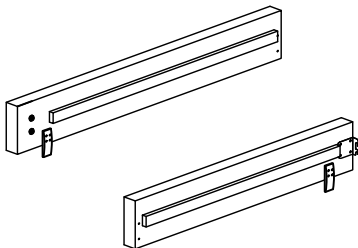
3



SidePanel (L) 2pcs

Two L-shaped side panels with a slot and a small protrusion on the end.

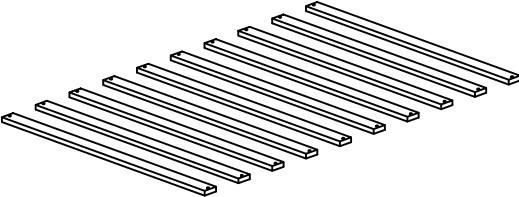
4



SidePanel (R) 2pcs

Two L-shaped side panels, similar to the left side panels but with a different slot and protrusion configuration.

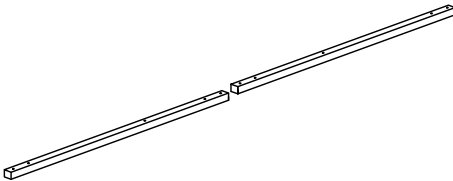
5



LVL Slats 10pcs

Ten long, thin rectangular slats of varying lengths, arranged in a fan shape.

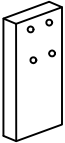
6



Center Wood 2pcs

Two long, thin rectangular pieces of wood, one slightly longer than the other, joined at one end.

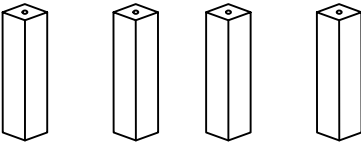
7



Side Panel
Center Leg 2pcs

Two vertical rectangular pieces of wood with three circular holes near the top.

8



Center Legs 4pcs

Four vertical rectangular pieces of wood, identical to the side panel center legs.

9

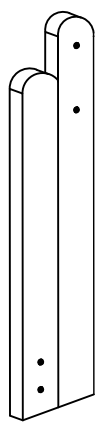


CASTER NO LOCK
16pcs

A castor wheel with a square mounting plate and a central screw.

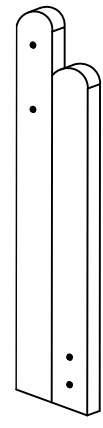
Part List (Box 2 - WF317682)

10



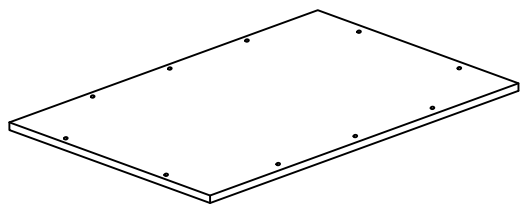
Side Panel (L) 1pc

11



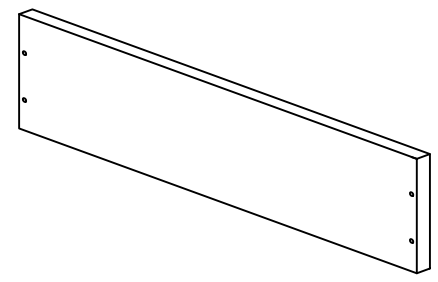
Side Panel (R) 1pc

12



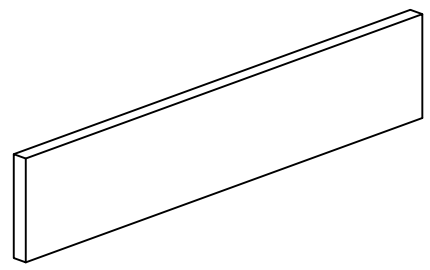
Drawer Bottom Panel 4pcs

13



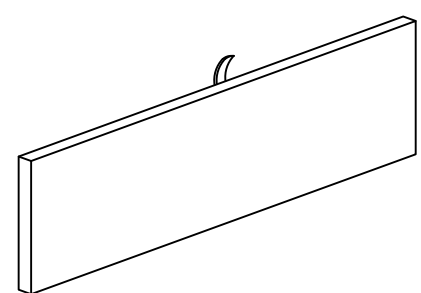
Drawer Side Panel (L / R) 8pcs

14



Drawer Back Panel 4pcs

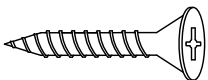
15



Drawer Front Panel 4pcs

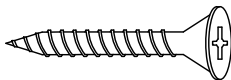
Hardware List (Box 1 - WF317681)

A



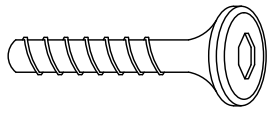
M4 X 16 MM
Chipboard Screw 64pcs

B



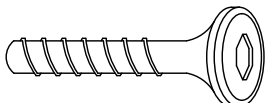
M4 X 32 MM
Chipboard Screw 92pcs

C



M6 X 25 MM
JCBC Screw 8 pcs

D



M6 X 30 MM
JCBC Screw 4 pcs

E



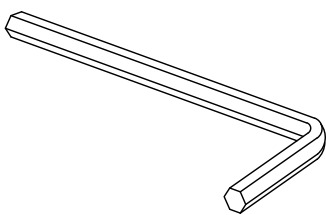
M6 X 45 MM
JCBC Screw 10pcs

F



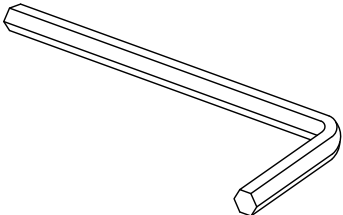
M8 X 25 MM
JCBB Screw 4pcs

G

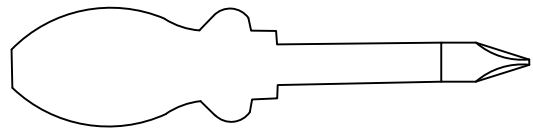


M4
Allen Key 1 pc

H



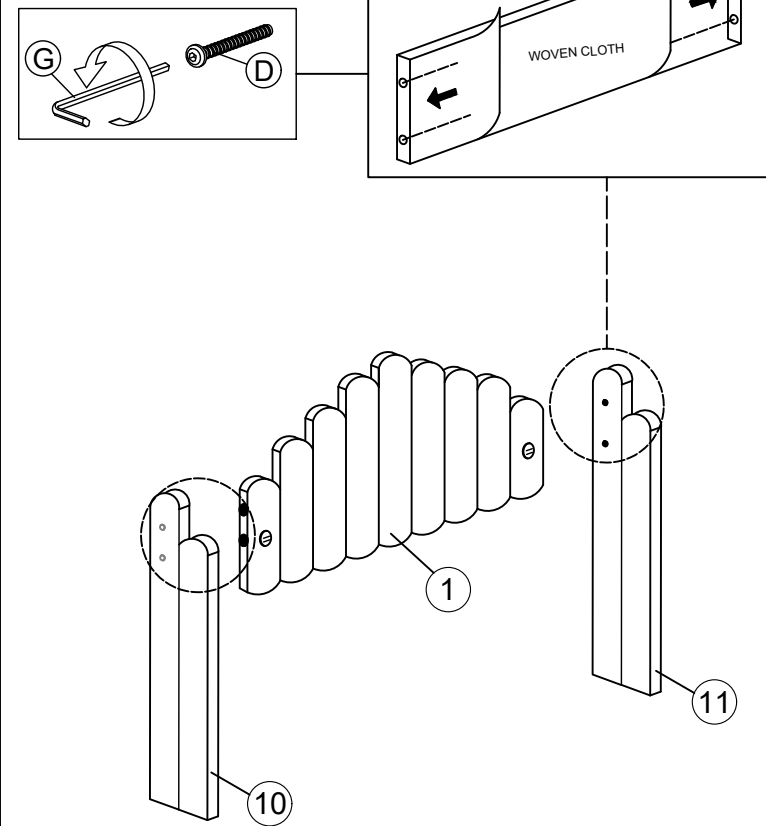
M5
Allen Key 1 pc



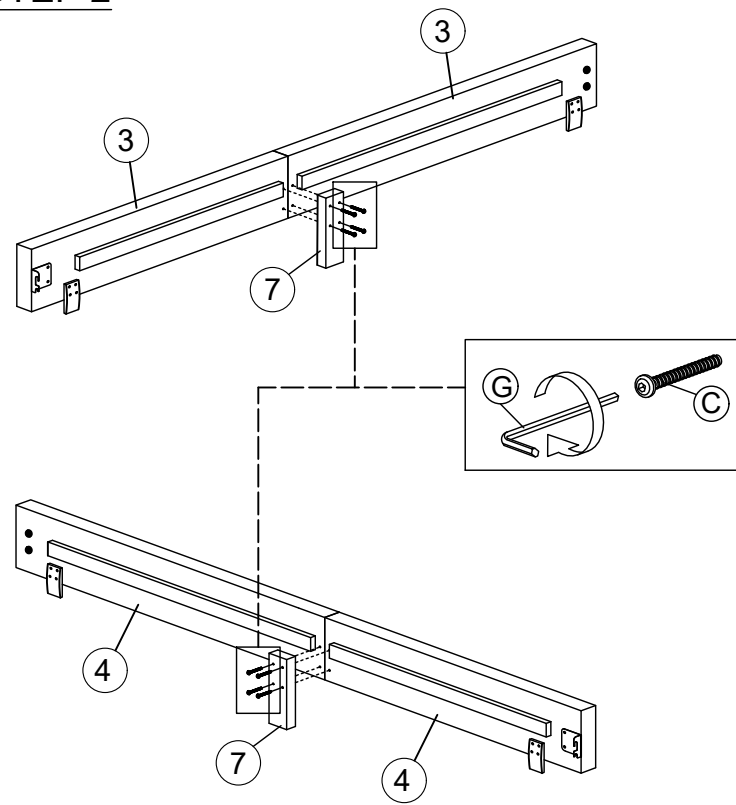
ASSEMBLY TOOLS REQUIRED (NOT INCLUDED)

ASSEMBLY INSTRUCTION

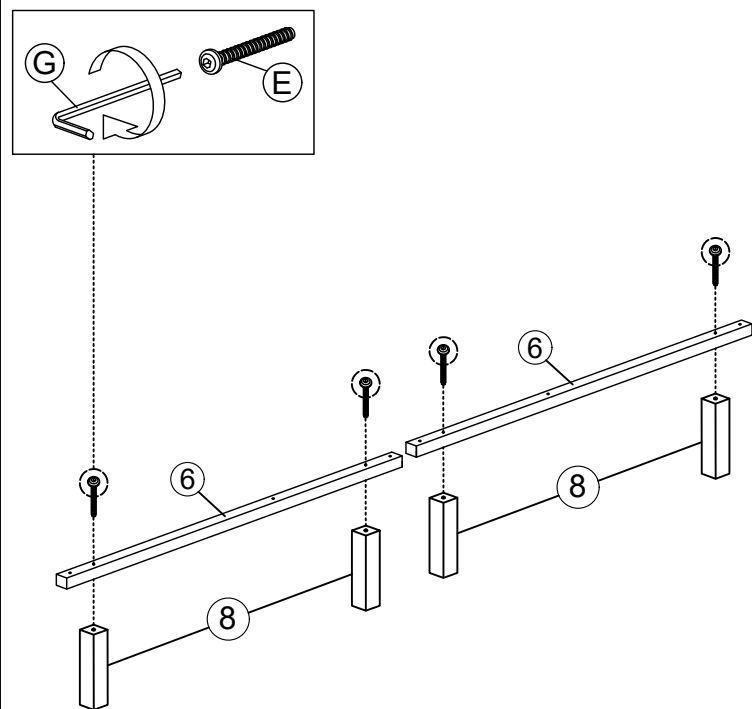
STEP 1



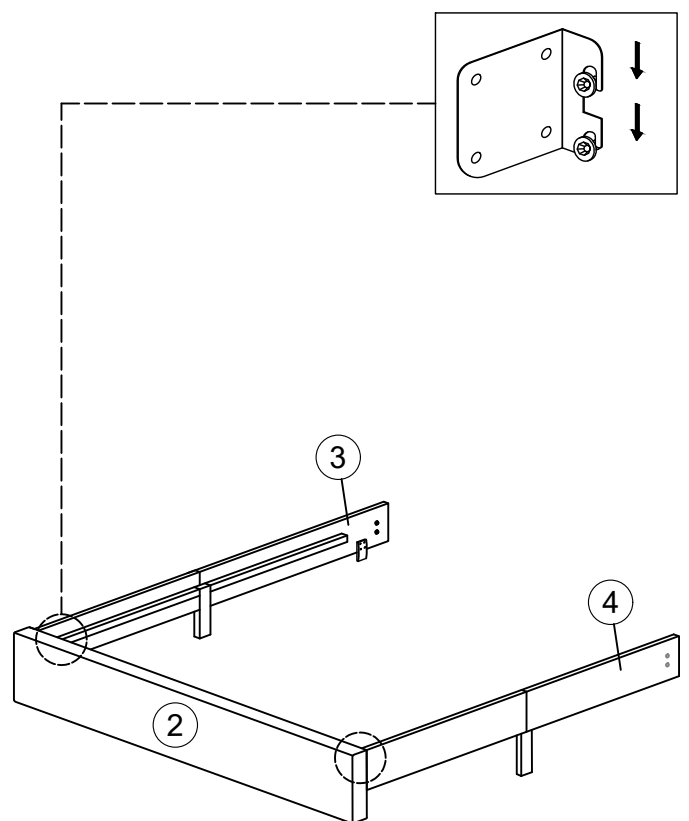
STEP 2



STEP 3

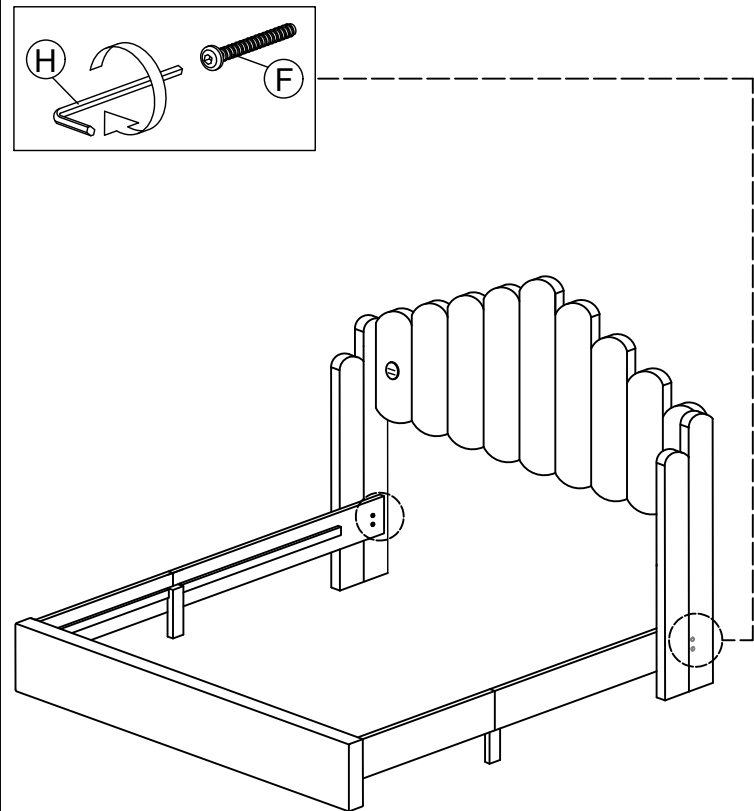


STEP 4

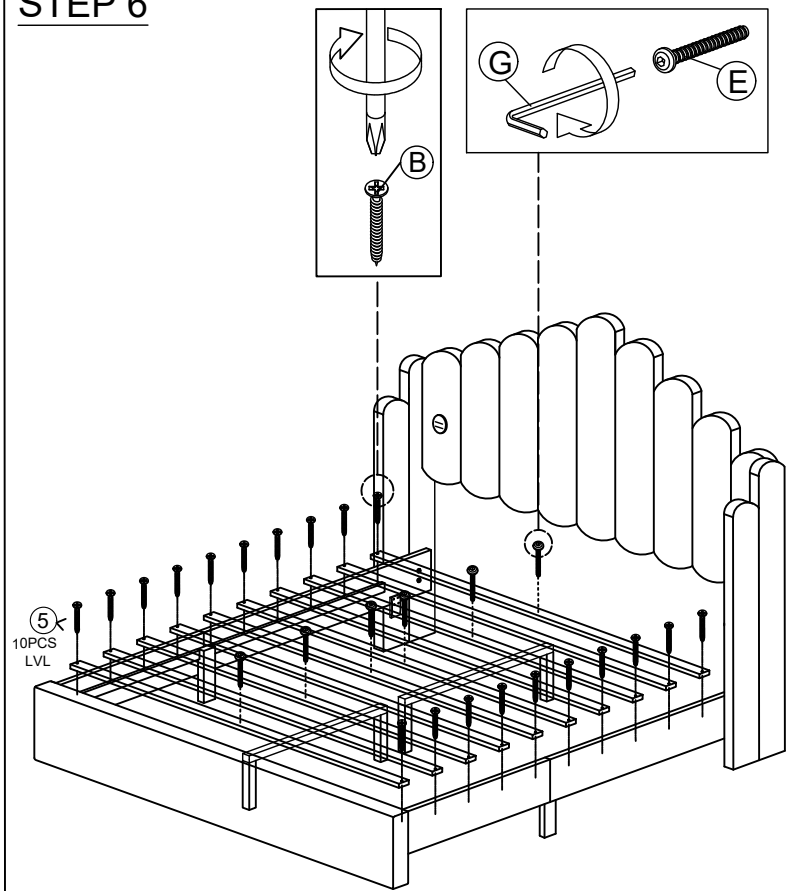


ASSEMBLY INSTRUCTION

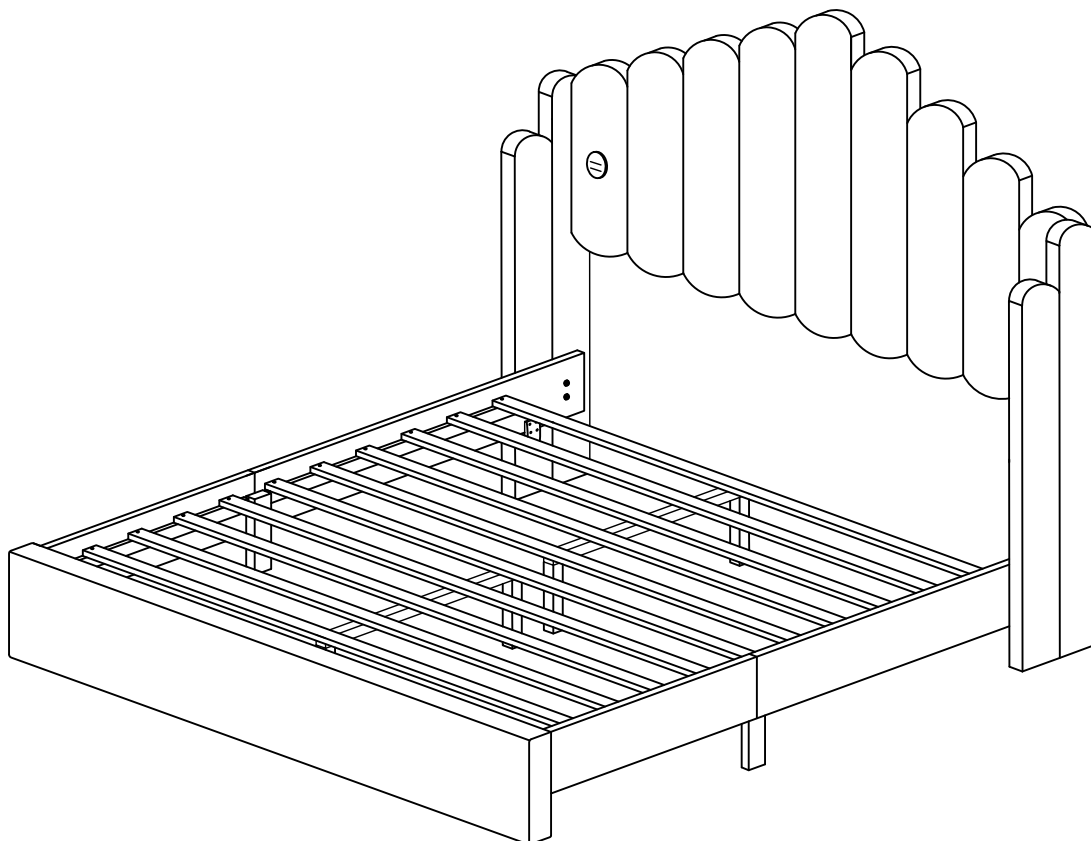
STEP 5



STEP 6

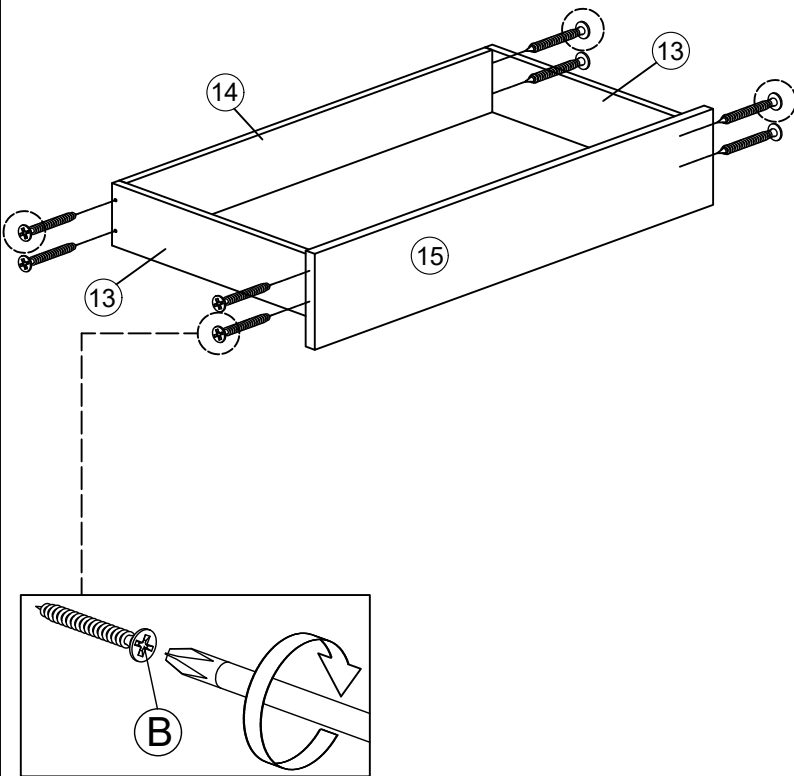


COMPLETE

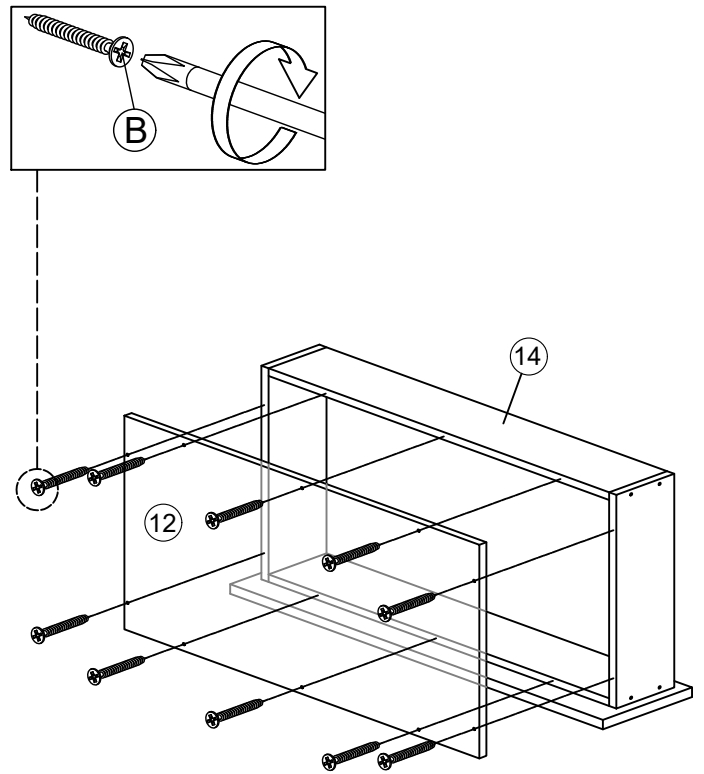


ASSEMBLY INSTRUCTION

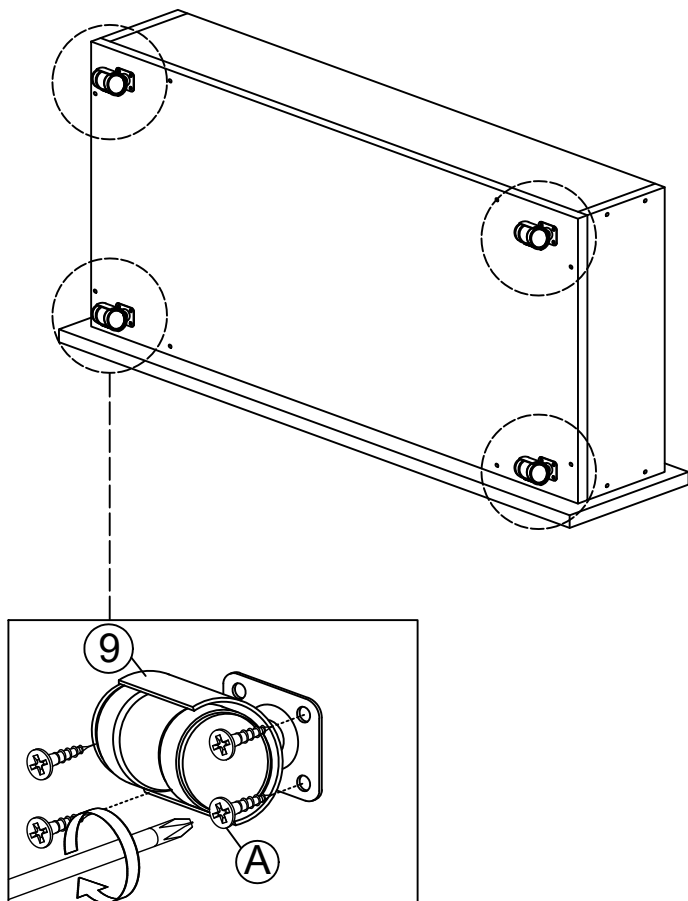
STEP 7



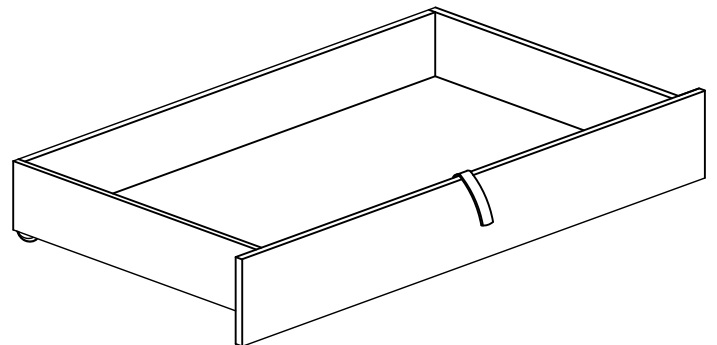
STEP 8



STEP 9



COMPLETE



FULLY COMPLETED ASSEMBLY

