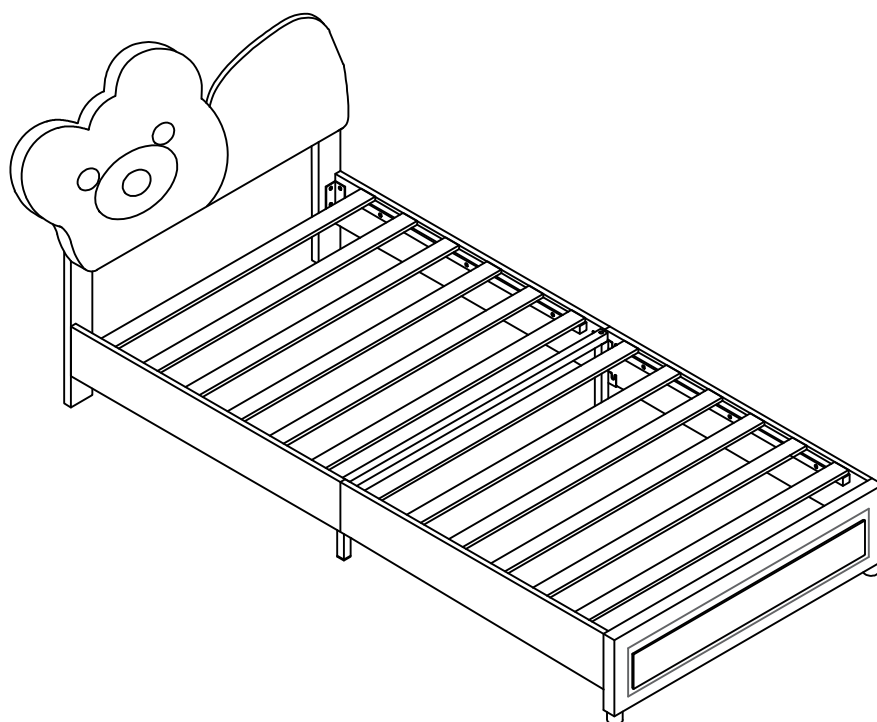
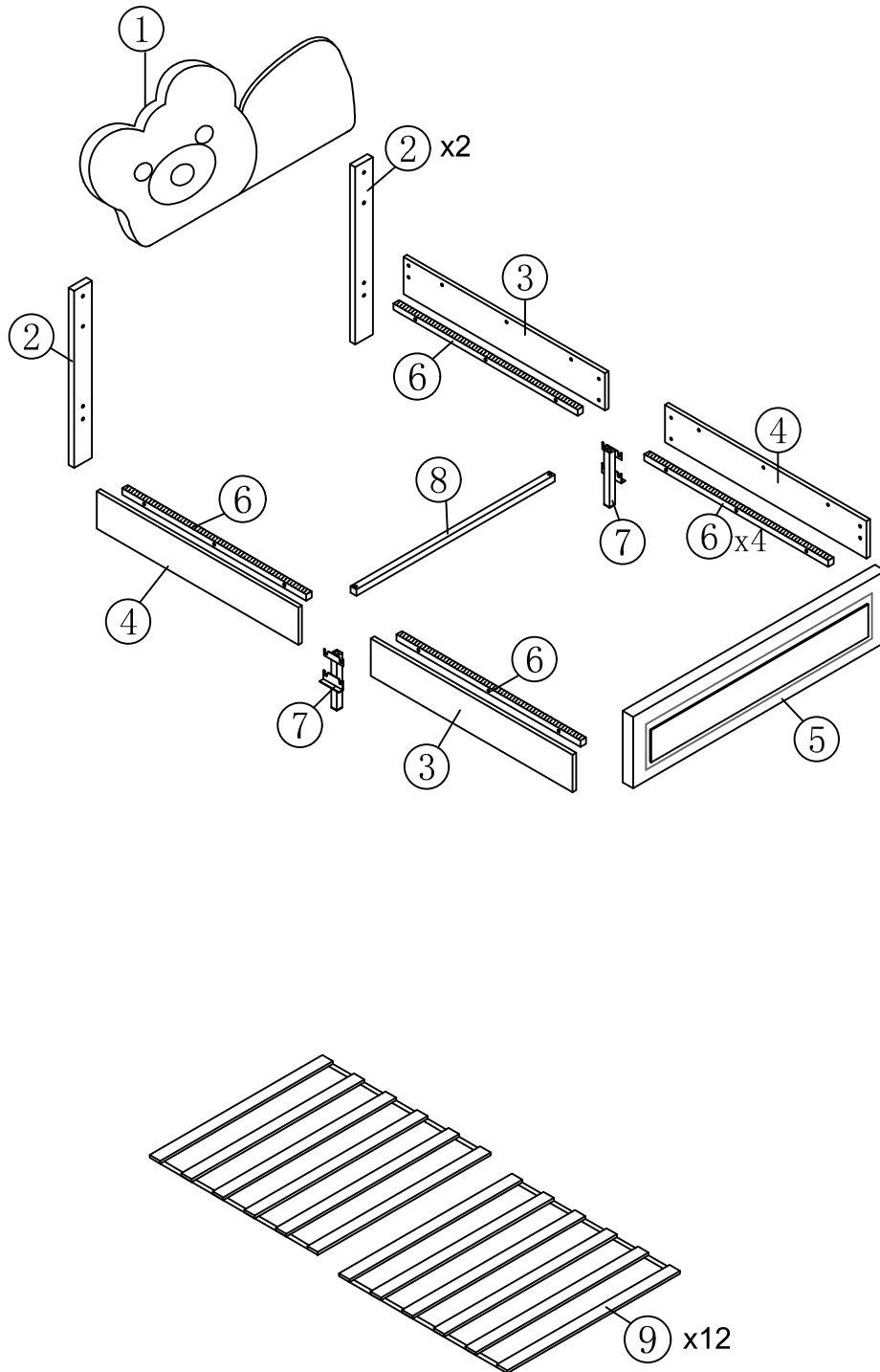


ASSEMBLY INSTRUCTION



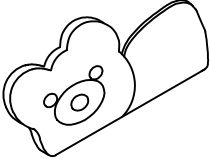

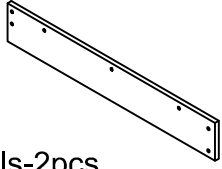
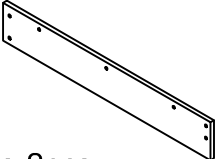
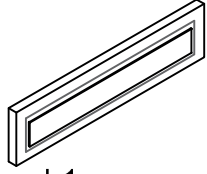
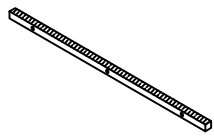

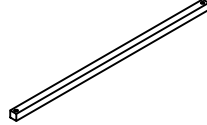
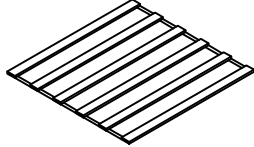
WF323767AAK

Detail View







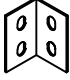
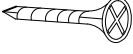





Part List

WF323767AAK

1  Head board-1pc	2  Head board legs-2pcs	3  Siderails-2pcs
4  Siderails-2pcs	5  Foot board-1pc	6  Side rails support bar-4pcs
7  Side rails support legs-2pcs	8  Cross bar-1pc	9  Slats-12pcs



Hardware List

WF323767AAK

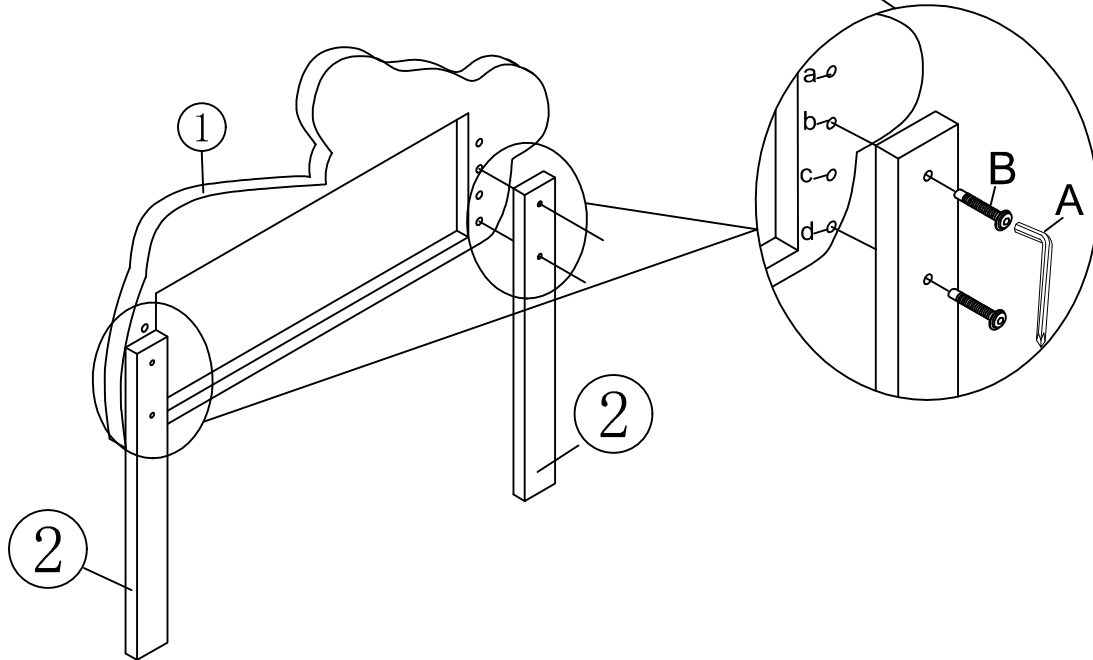
<p>A</p>  <p>20*70mm</p>	<p>B</p>  <p>Ø8*50mm</p>	<p>C</p>  <p>Ø8*16mm</p>
<p>Allen Key(2pcs) Bolts(4pcs) Bolts(24pcs)</p>		
<p>D</p>  <p>Ø8*40mm</p>	<p>E</p>  <p>77*33**33*3mm</p>	<p>F</p>  <p>Ø3*16mm</p>
<p>Bolts(14pcs) "7" Connector(4pcs) Nails(10pcs)</p>		
<p>G</p>  <p>H:40mm</p>	<p>H</p> 	<p>I</p> 
<p>Bed legs(2pcs) Buckle(5pcs) Power adapter(1pc)</p>		
<p>J</p> 	<p>K</p> 	
<p>LED Connecting line(1pc) Color controller(1pc)</p>		

Remark: We recommend you assemble your bed in the flat ground.



Step 1

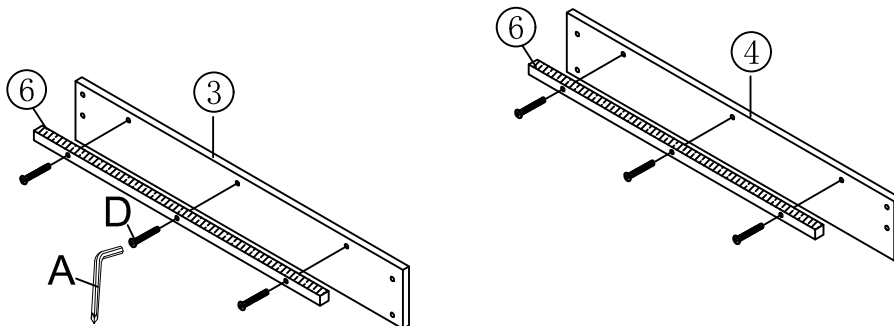
A	B
	 M8X50mm
	4PCS

Attention:
You can chose the hole
a and c ,or b and d.


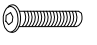


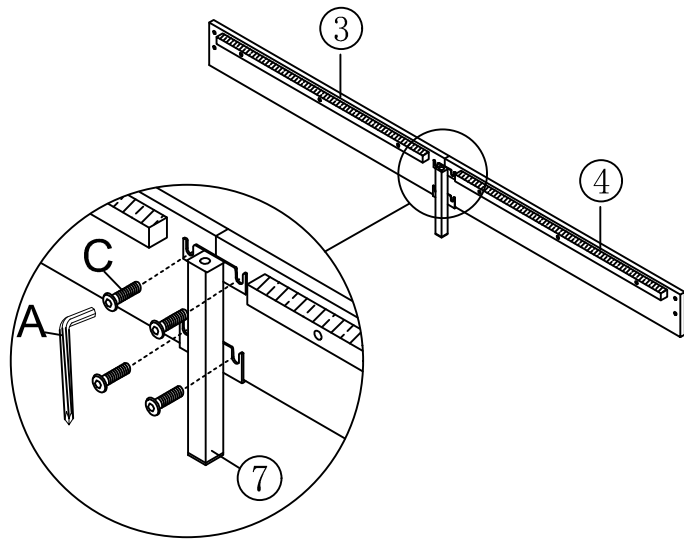
Step 2 x2

A	D
	 M8X40mm
	12PCS




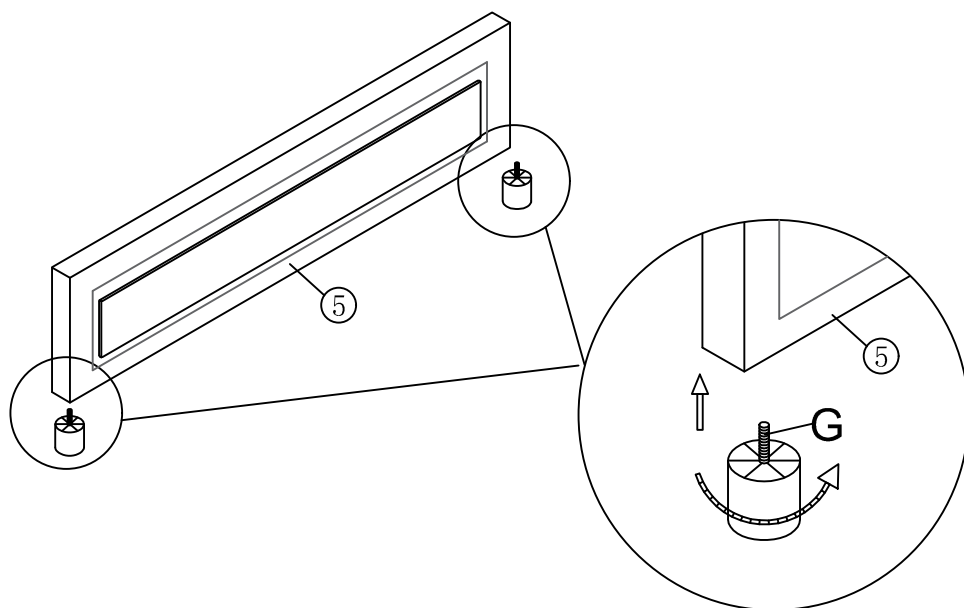
Step 3 x2

A 	C  M8X16mm 8PCS
--	---






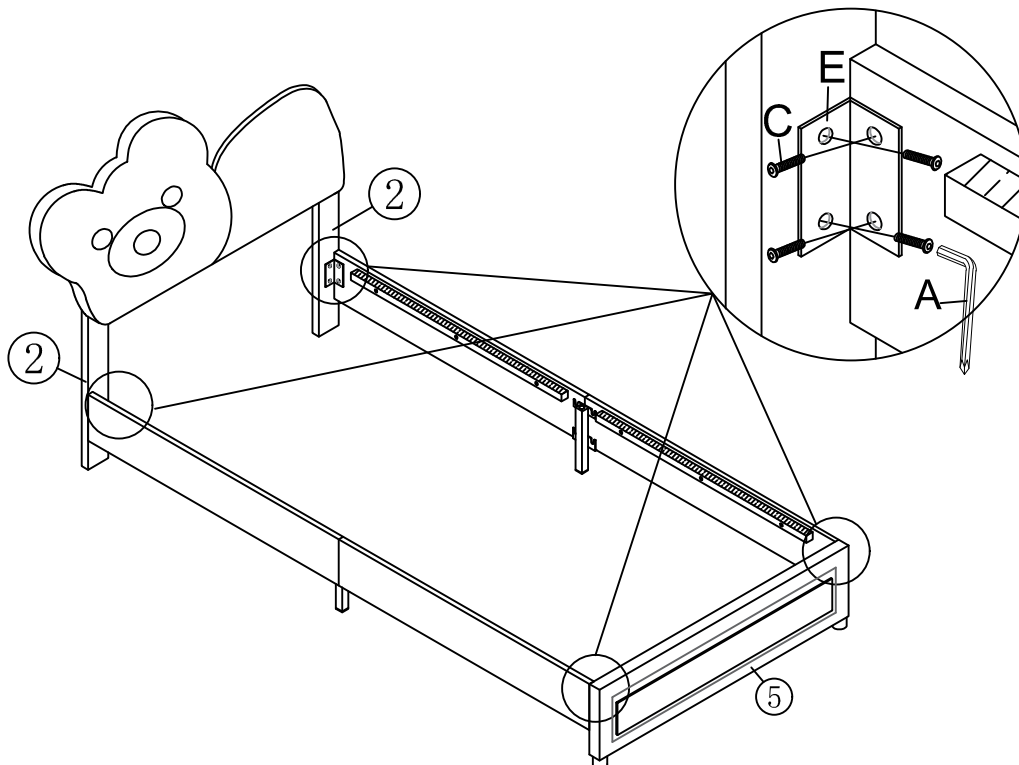
Step 4

G  2PCS
--





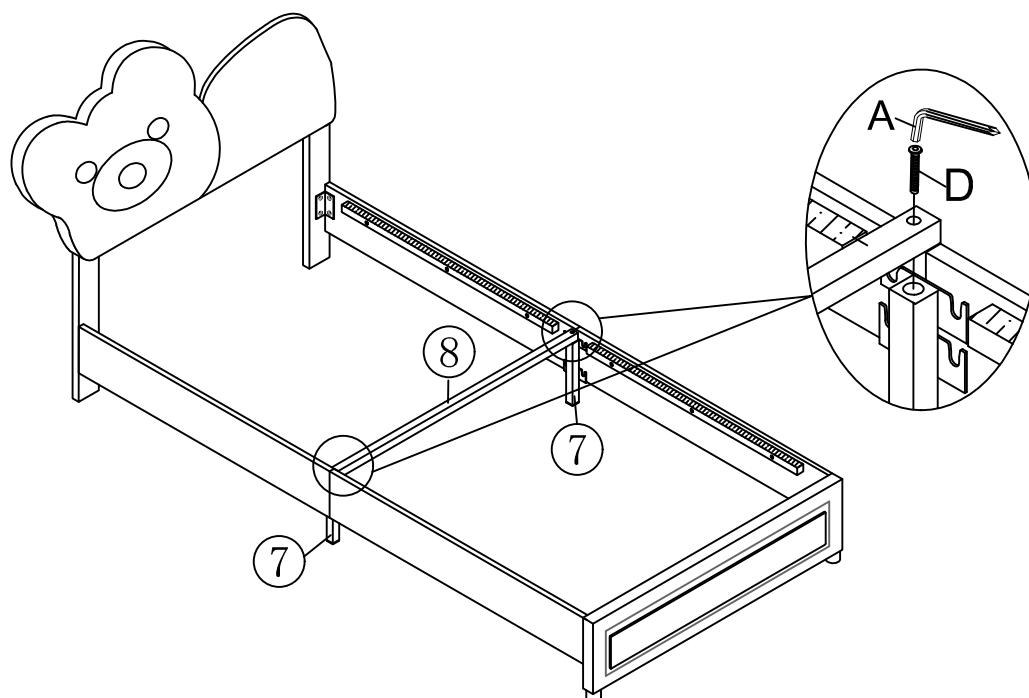
Step 5

A	C	E
	 M8X16mm	
	16PCS	4PCS


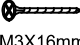




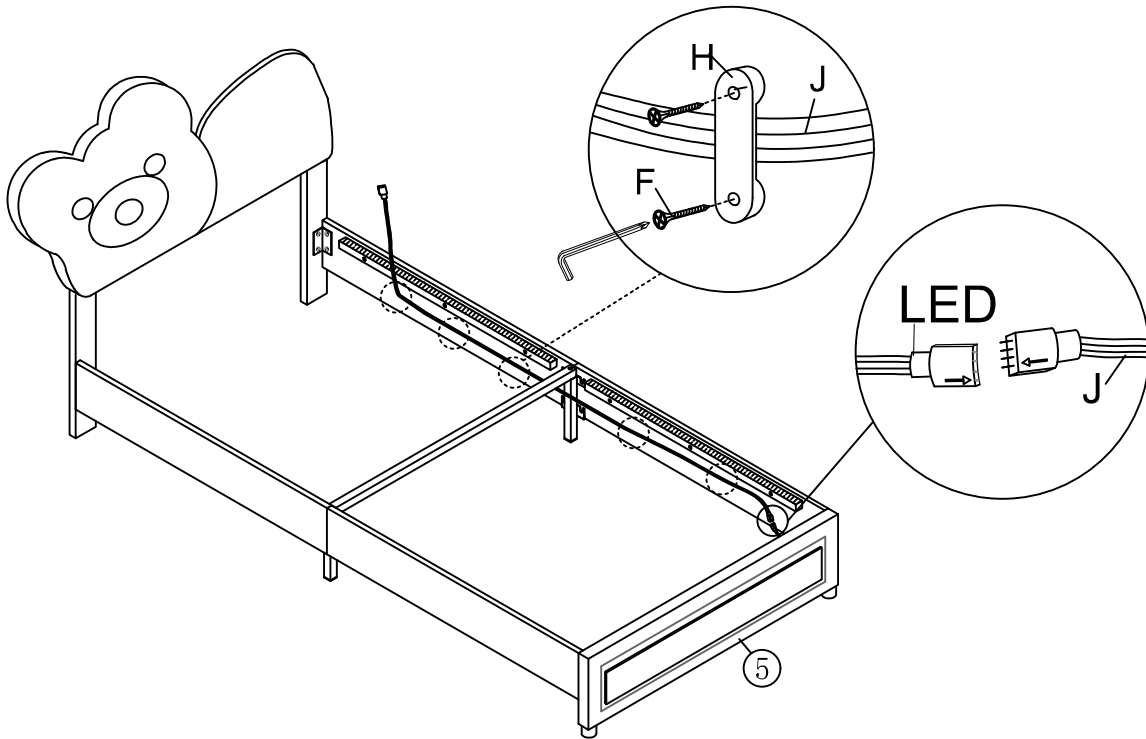
Step 6

A	D
	 M8X40mm
	2PCS

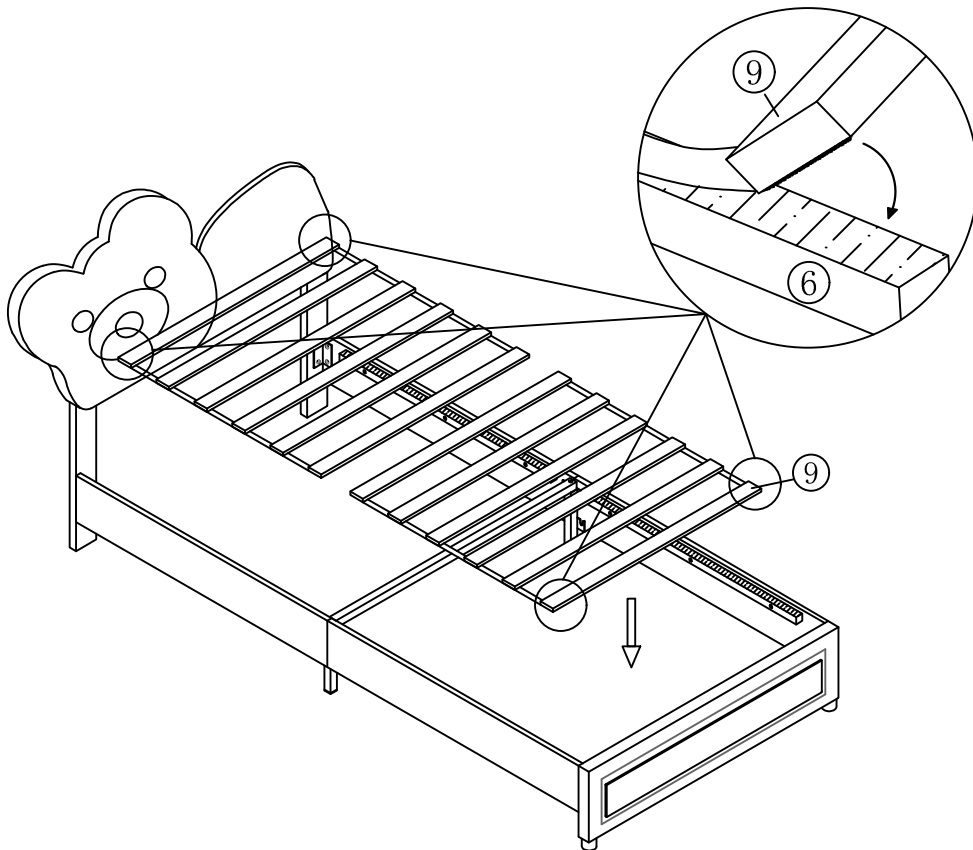


Step 7



A	F	H	J
	 M3X16mm		
	10PCS	5PCS	1PC

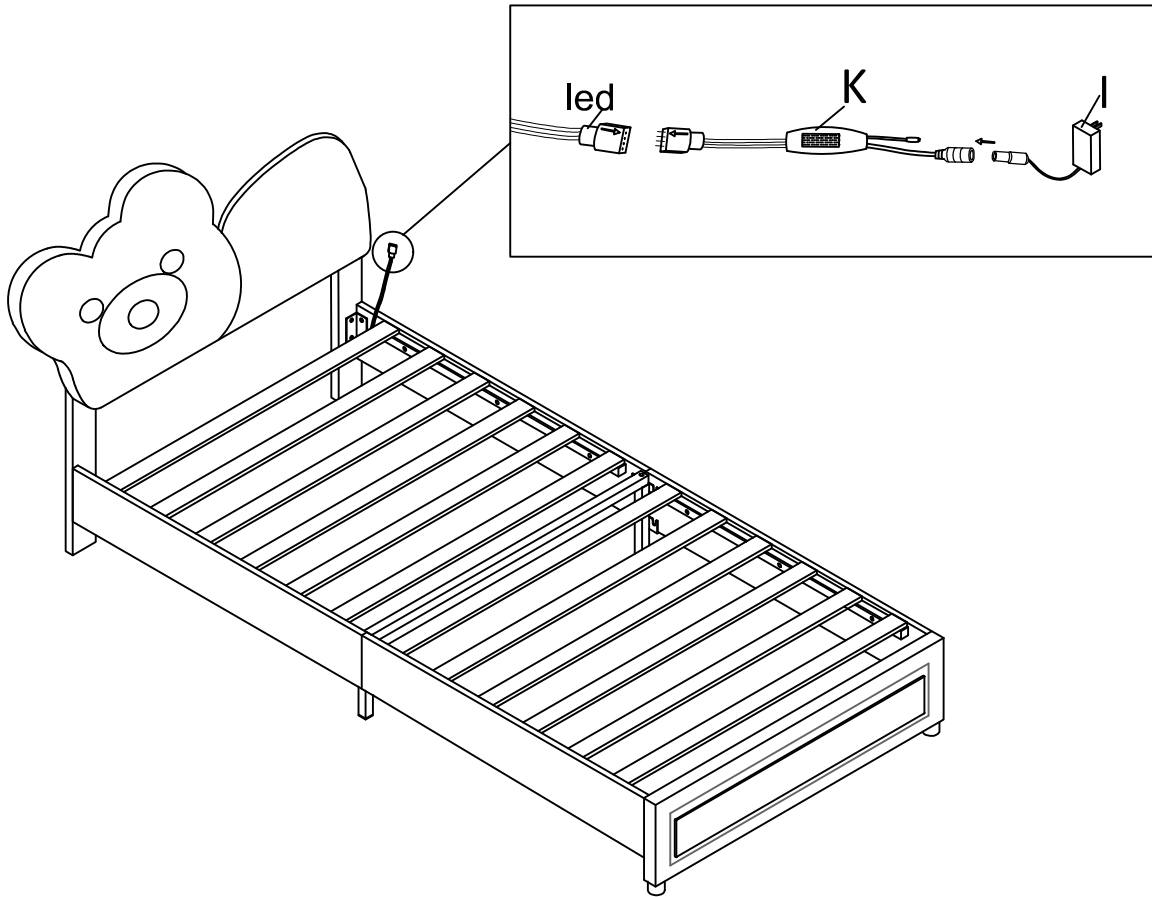


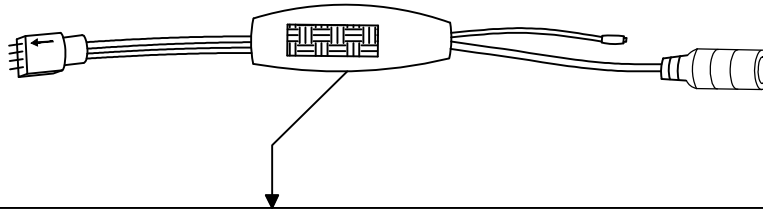
Step 8



Step 9

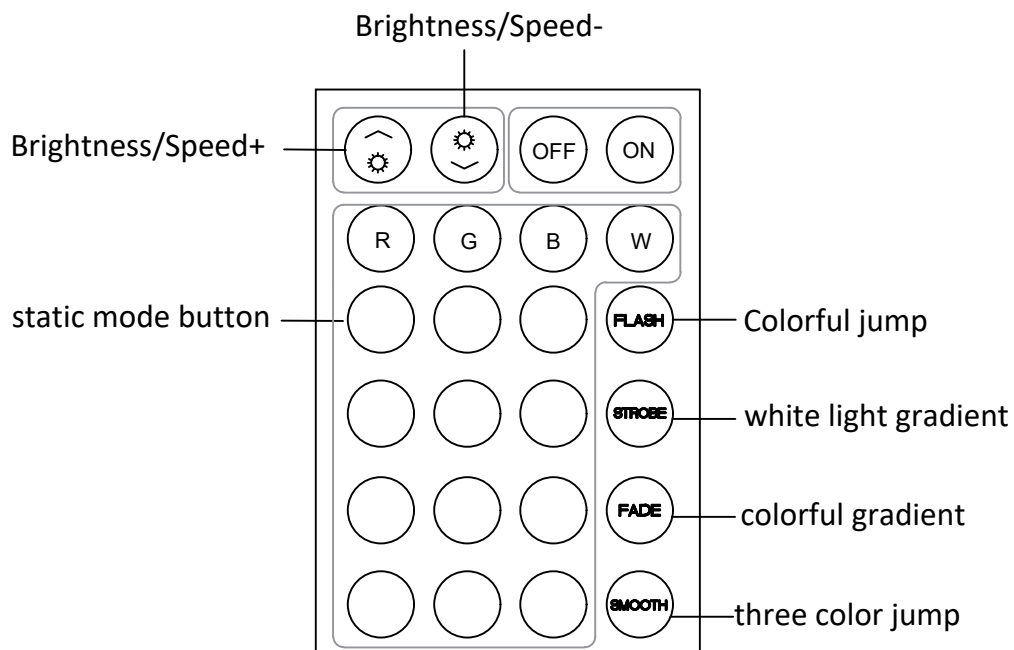
I	K
	
1PC	1PC





NOTICE:

You can scan the QR code here and download an app that can control the color of the light strip like a remote control. When your phone plays music through the app, the color of the light strip will also change according to the strength of the music.



NOTICE:

When you use the remote control board to control the color of the light, Please remove the clear plastic card first, then please be sure to point the remote control at the color controller K.