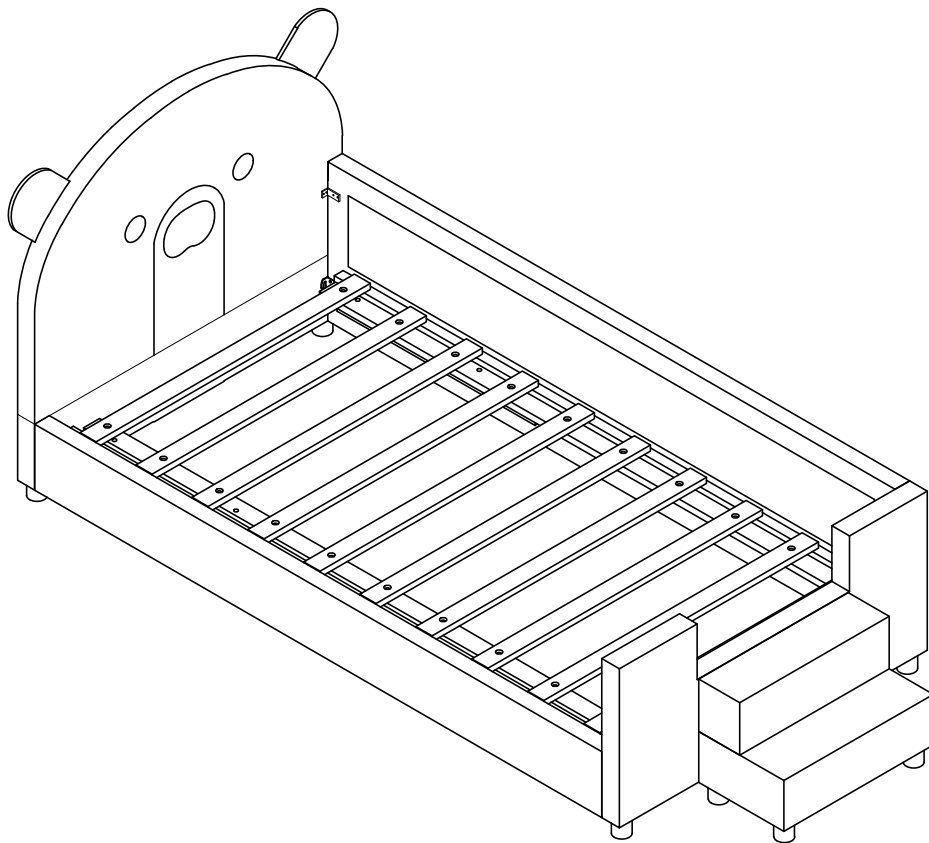
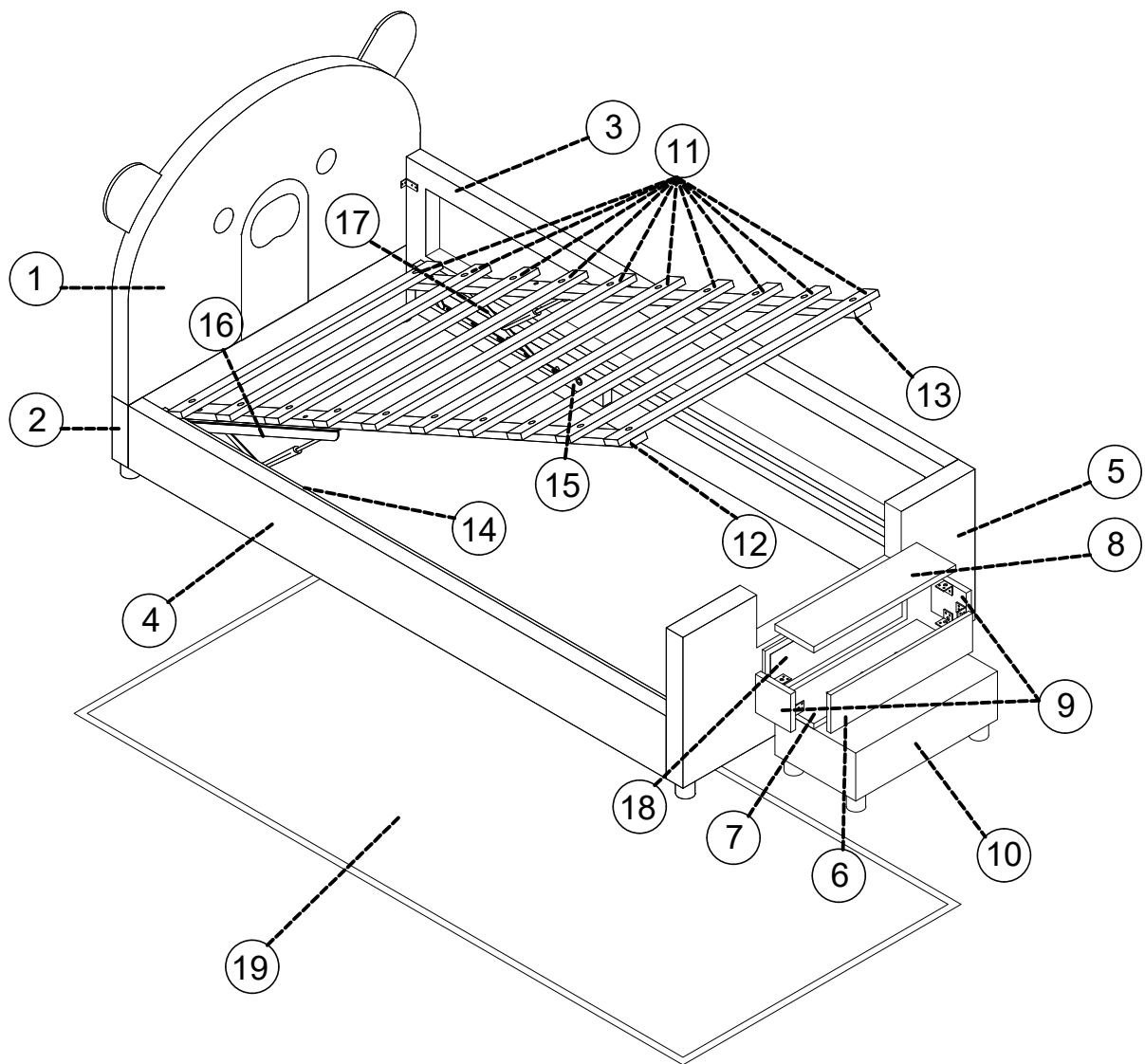


# ASSEMBLY INSTRUCTION

SKU CODE: (WF317738/WF317739)

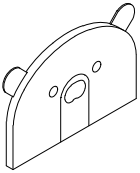
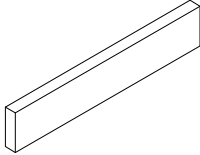
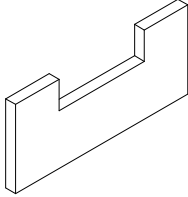
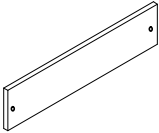
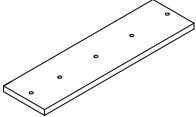
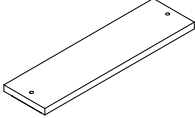
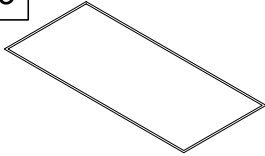
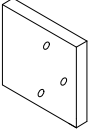
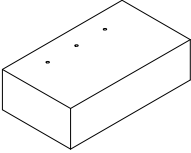
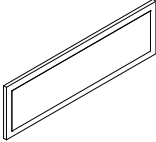
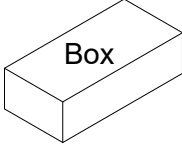
This set included 2 boxex if do not receive full 2 boxex. Please contact our customer service team



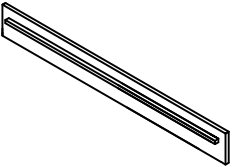
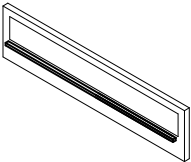
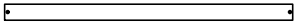
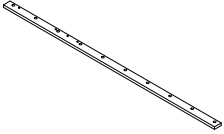
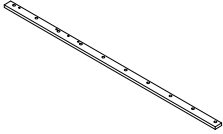
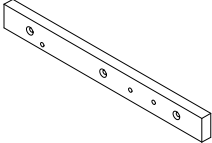
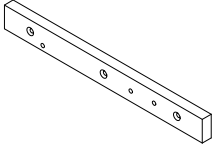
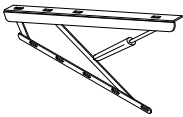




# Part List

BOX 1/2: **WF317739**

<p>1</p>  <p>Head board -1pc</p>	<p>2</p>  <p>Head board below-1pc</p>	<p>5</p>  <p>Footboard-1pc</p>	
<p>6</p>  <p>Small steps in front-1pc</p>	<p>7</p>  <p>Below the small stairs-1pc</p>	<p>8</p>  <p>Above the small step-1pc</p>	<p>19</p>  <p>bottom lining-1pc</p>
<p>9</p>  <p>Small steps on the side-2pcs</p>	<p>10</p>  <p>Large stairs-1pc</p>	<p>18</p>  <p>small step backboard-1pc</p>	 <p>Box</p> <p>Legs-8pcs</p>












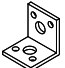
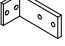

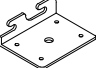
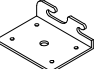
BOX 2/2: **WF317738**

<p>4</p>  <p>Side rail Left - 1pc</p>	<p>3</p>  <p>Side rail Right - 1pc</p>	<p>11</p>  <p>Slates-10pcs</p>	
<p>12</p> <p>Left</p>  <p>Bed support Slates-1pc</p>	<p>13</p> <p>Right</p>  <p>Bed support Slates-1pc</p>	<p>14</p> <p>Left</p>  <p>Bed side brace-1pc</p>	
<p>15</p> <p>Right</p>  <p>Bed side brace-1pc</p>	<p>16</p> <p>Left</p>  <p>Lift truck-1pc</p>	<p>17</p> <p>Right</p>  <p>Lift truck-1pc</p>	<p>Hardware</p> 

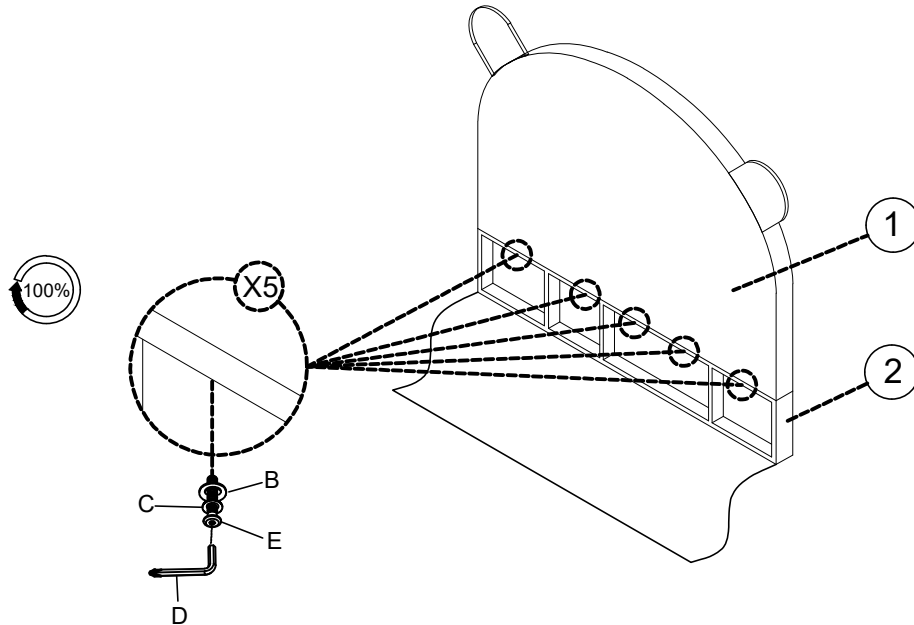
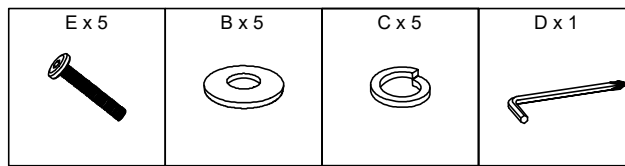
# HARDWARE

Check that you've received all hardware listed below.

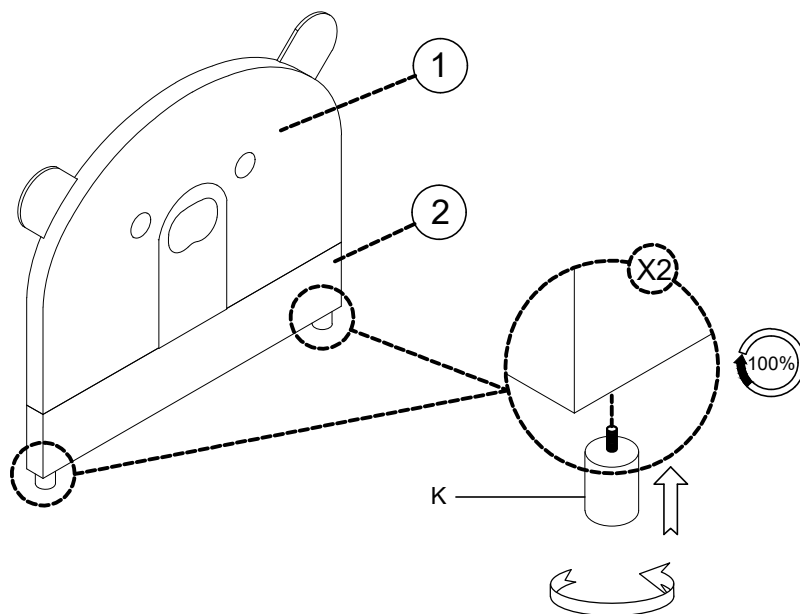
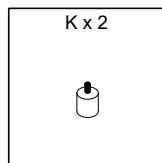
## Hardware List

No.	OUTLOOK	DESC	QTY
(A)		Bolts 5/16"x30 mm	8
(B)		Plain washer Ø5/16"x19x1.5 mm	19
(C)		Spring washer Ø5/16"x12 mm	19
(D)		Allen key 80x25x4 mm	1
(E)		Bolts 5/16"x45 mm	11
(F)		Bolts 1/4"x30 mm	23
(G)		Bolts 1/4"x15 mm	24
(H)		Plain washer Ø1/4"x19x1.5 mm	47
(I)		Spring washer Ø1/4"x10 mm	47
(K)		Legs	8
(L)		Screws Ø4x15 mm	44
(M)		Metal bas 40x40mm	6
(N)		Metal bas 60x35x1.5mm	1
(P)		Bolts 1/4"x20 mm	4
(Q)		Metal bas - Left	2
(J)		Metal bas - Right	2





# STEP 1

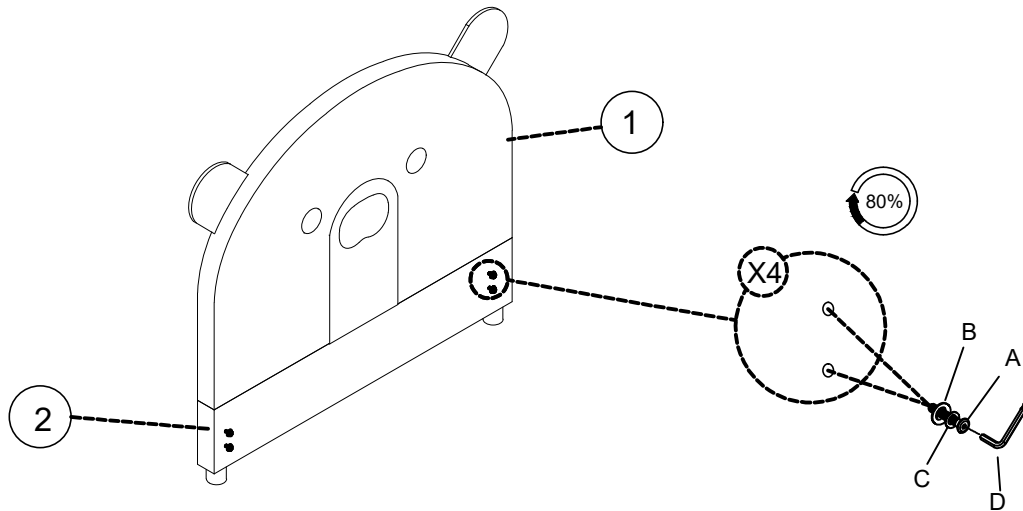


# STEP 2




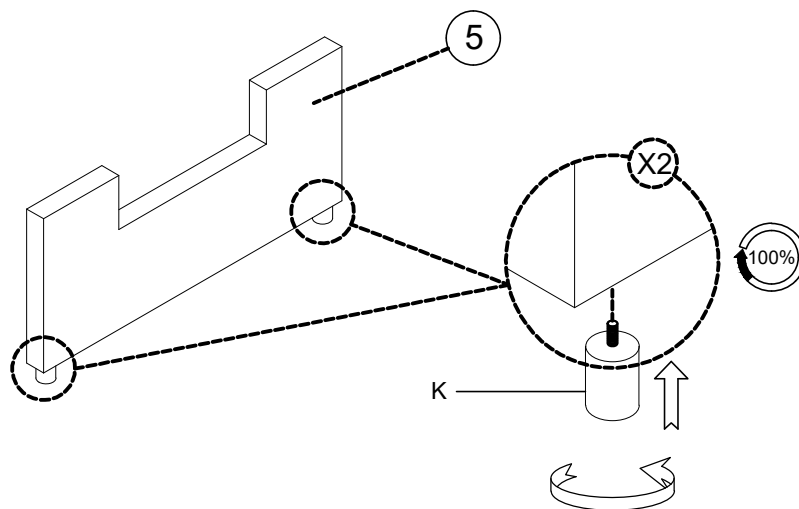
# STEP 3

A x 4	B x 4	C x 4	D x 1
			







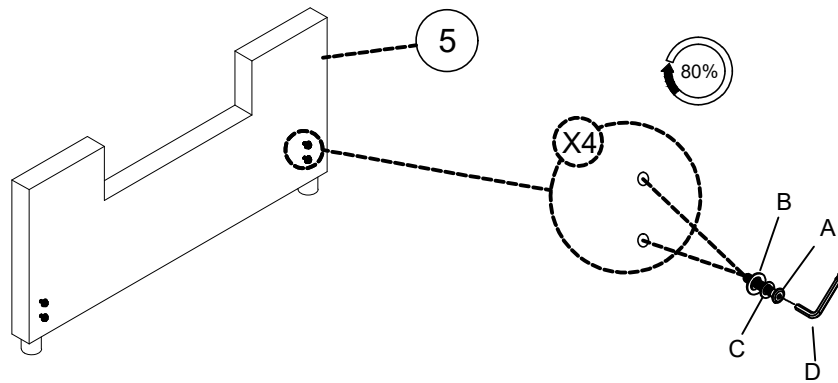
# STEP 4

K x 2





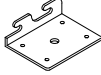
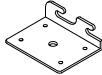


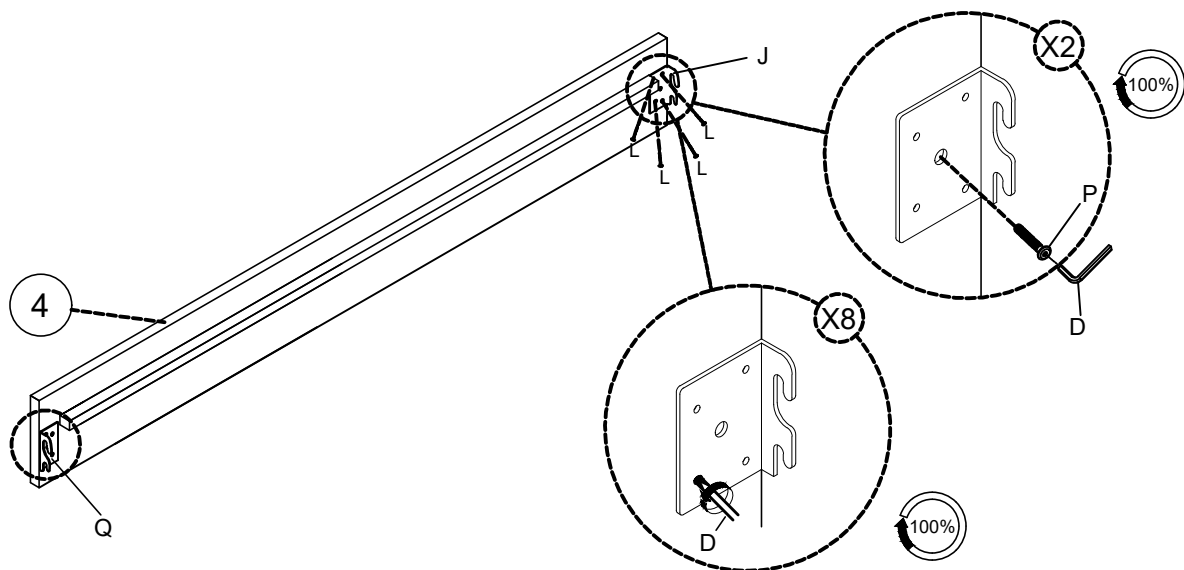
# STEP 5

A x 4	B x 4	C x 4	D x 1
			




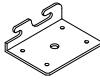
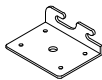


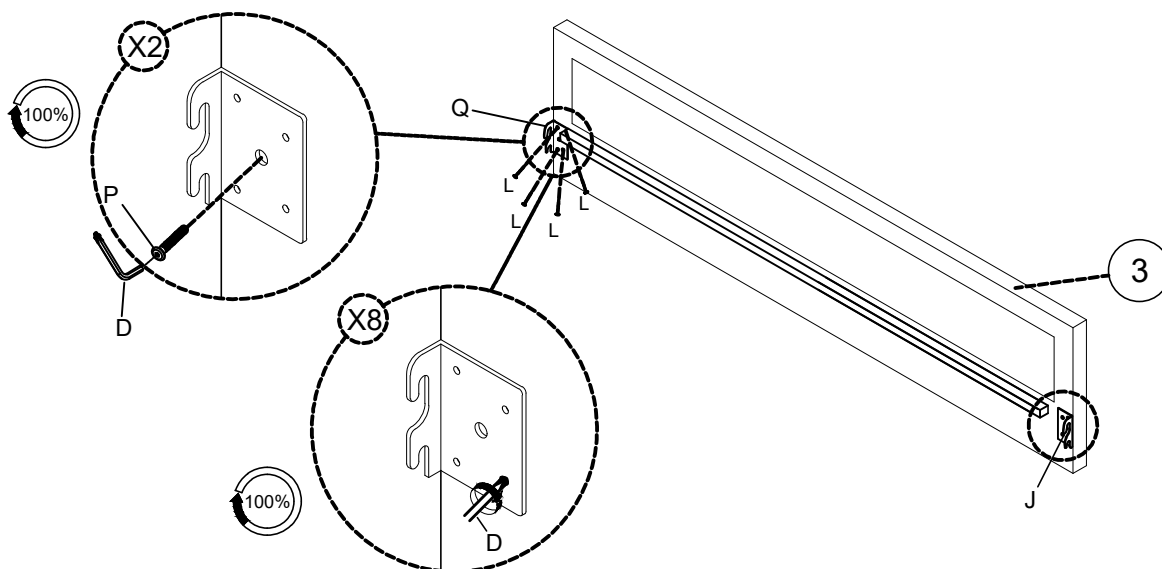
# STEP 6

P x 2	D x 1	L x 8	Q x 1	J x 1
				







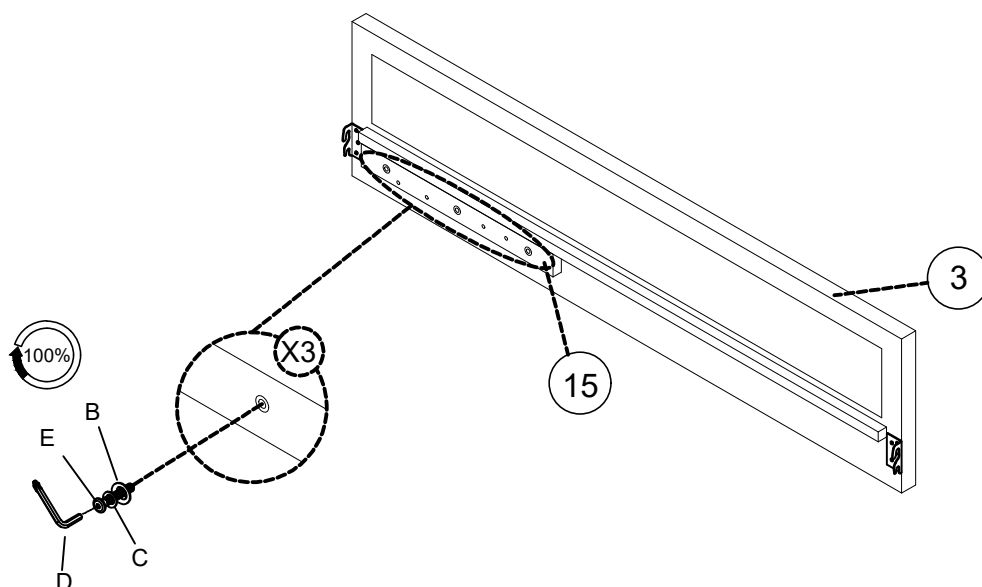
# STEP 7

P x 2	D x 1	L x 8	Q x 1	J x 1
				







# STEP 8

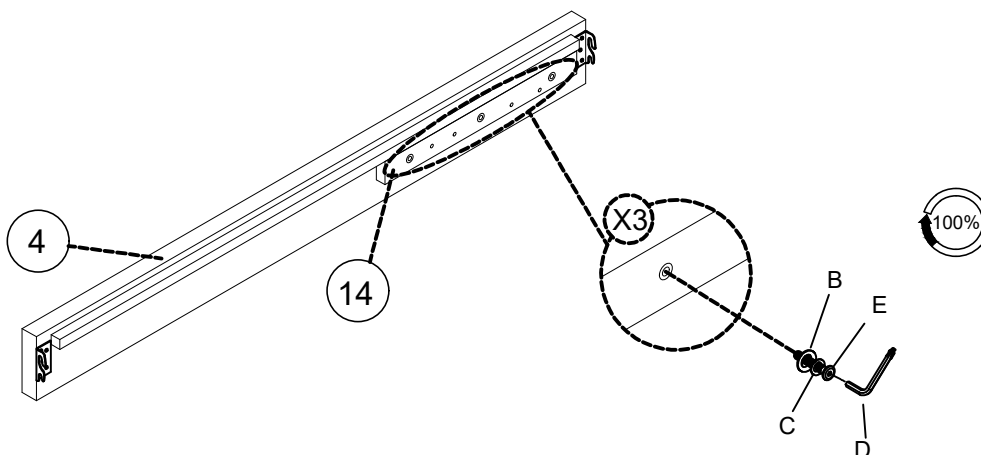
E x 3	B x 3	C x 3	D x 1
			



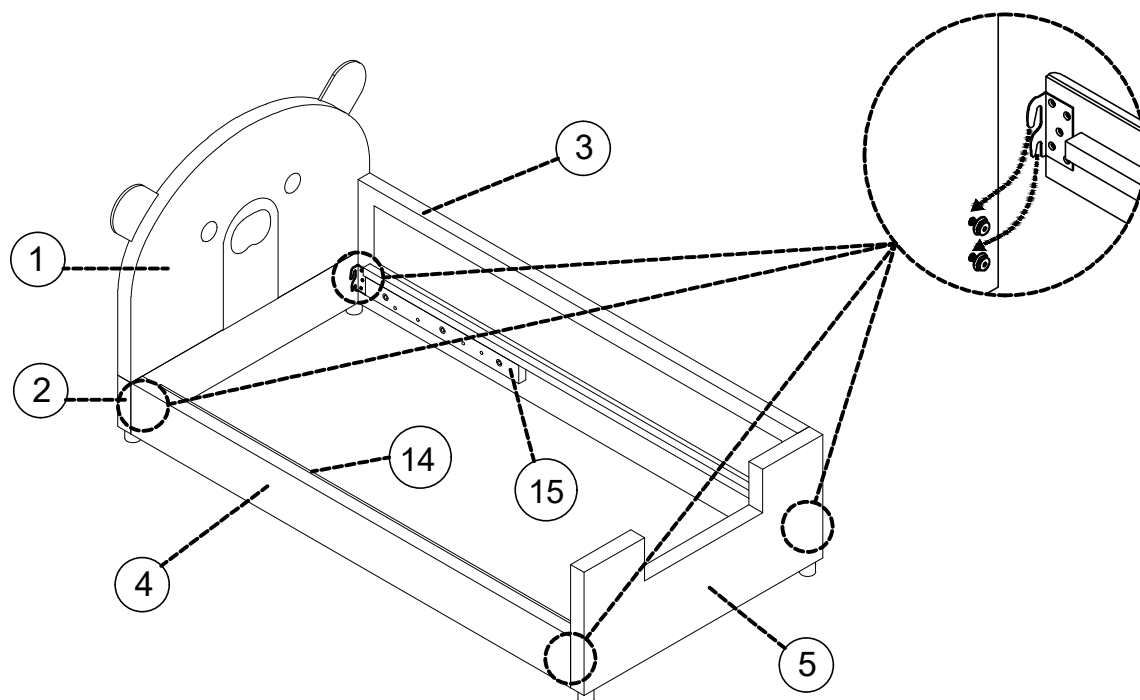


# STEP 9

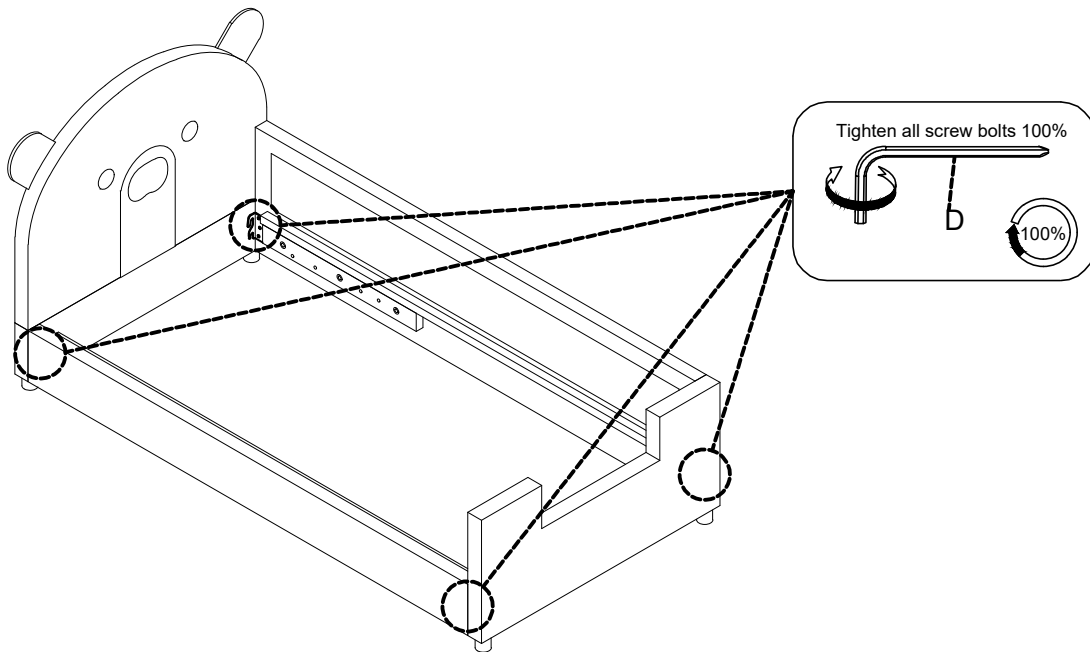
E x 3	B x 3	C x 3	D x 1
			



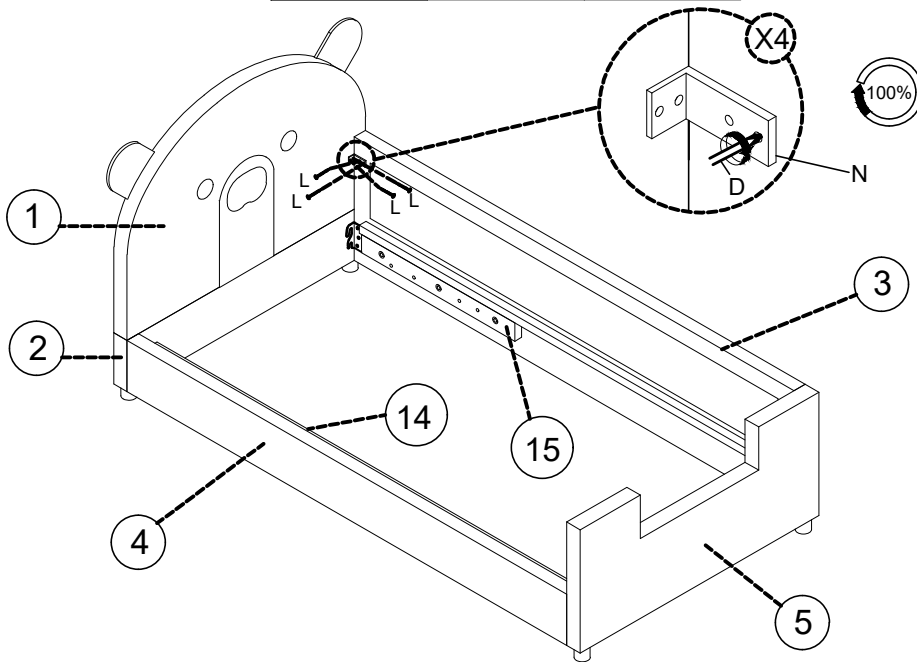
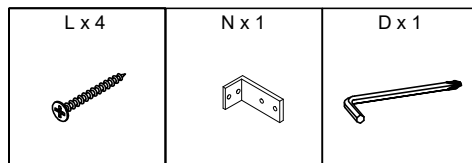
# STEP 10



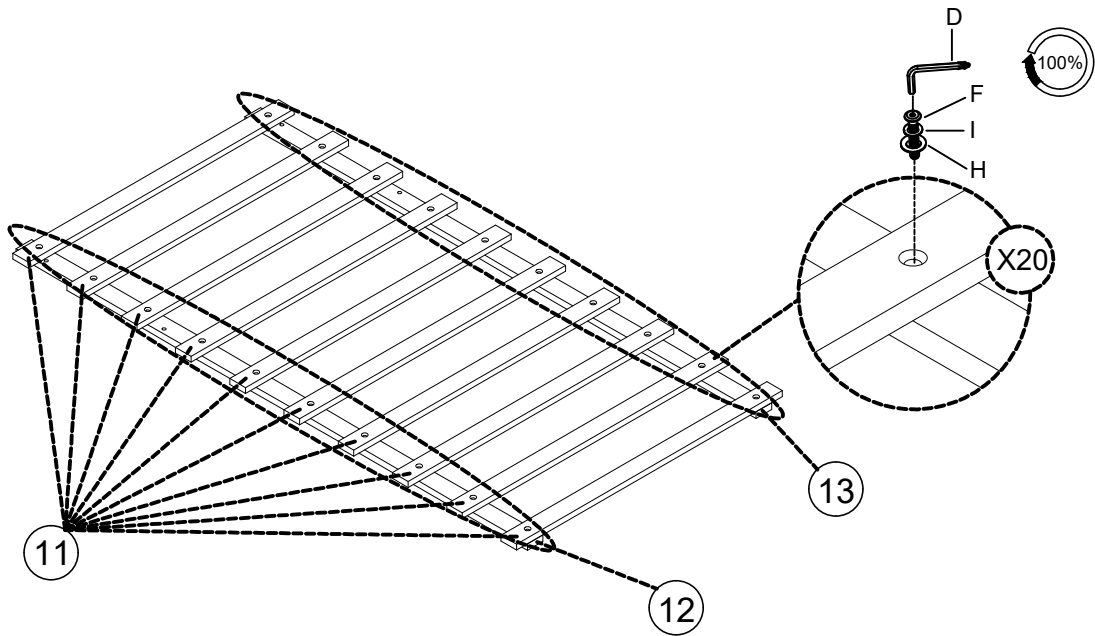
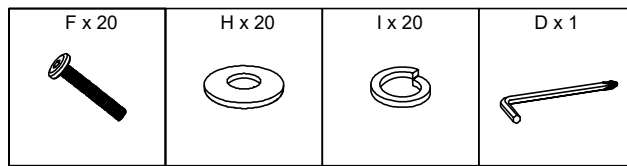
# STEP 11



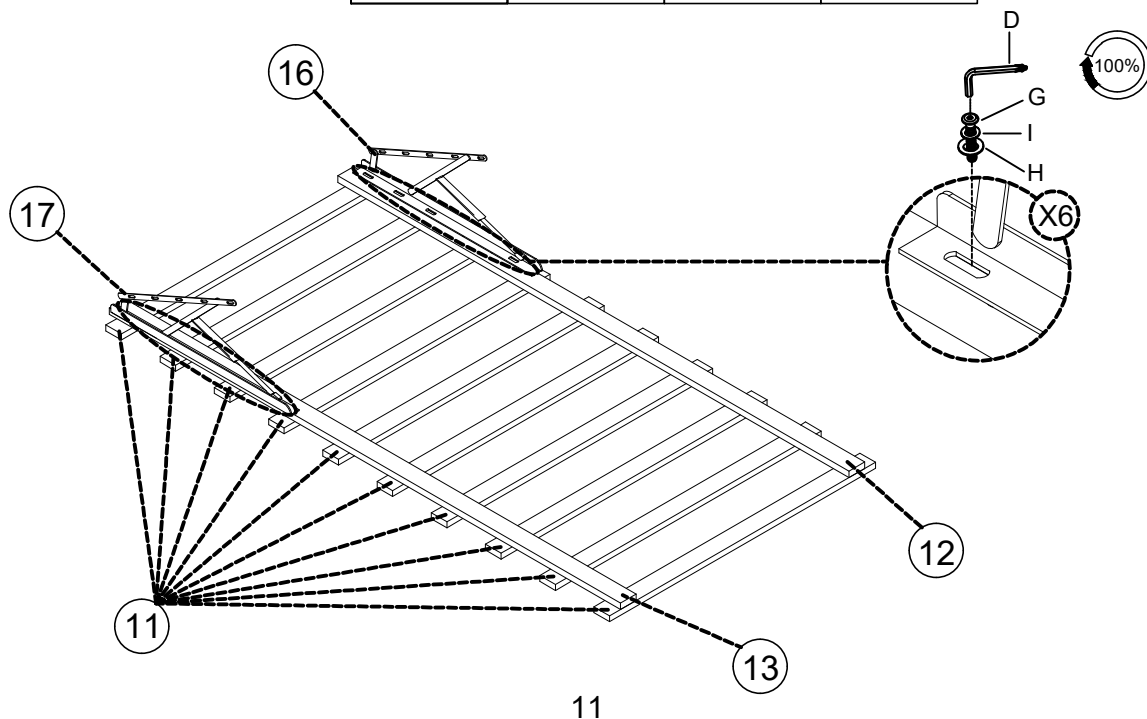
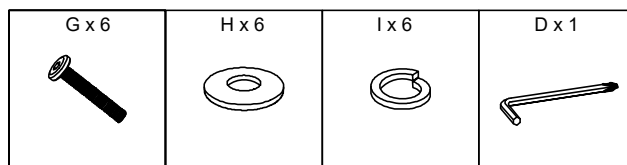
# STEP 12



# STEP 13

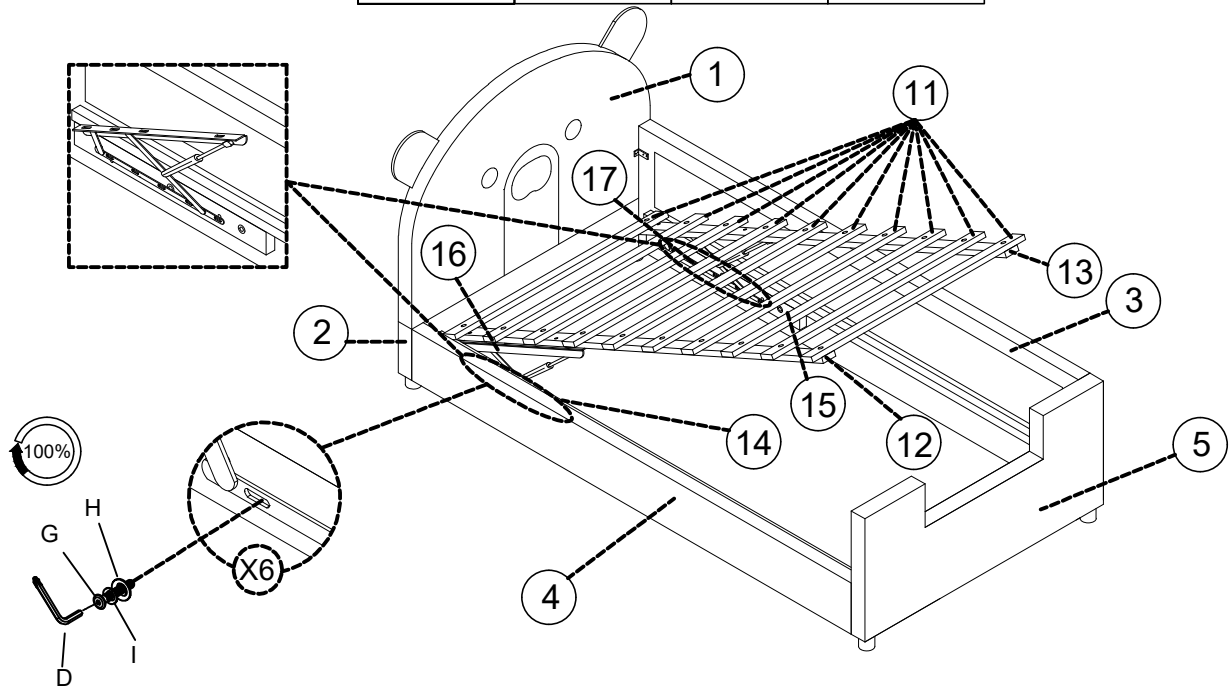


# STEP 14



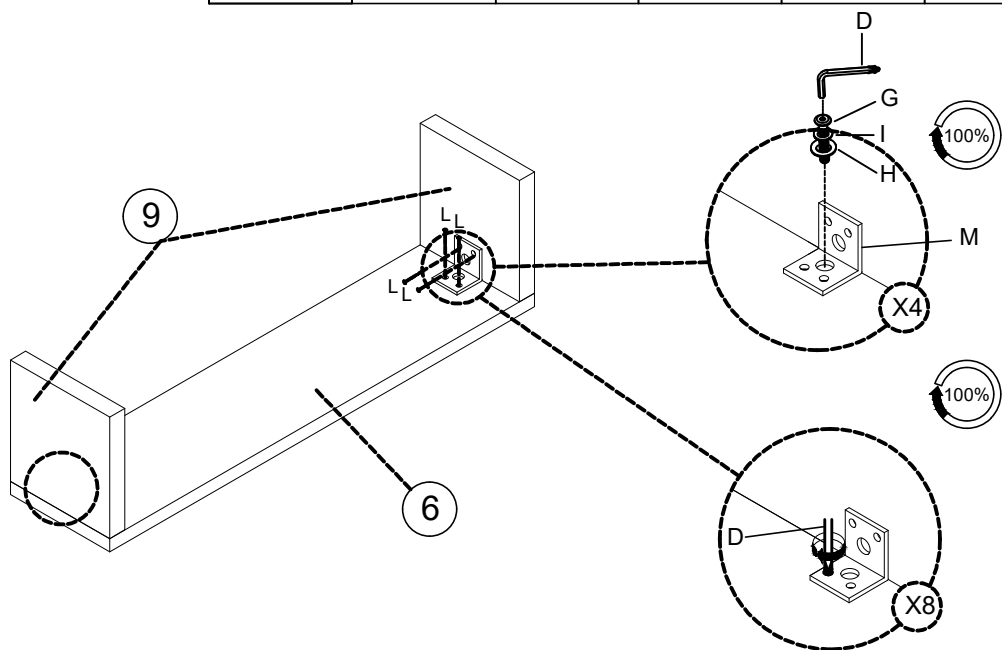
# STEP 15

G x 6	H x 6	I x 6	D x 1






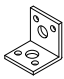


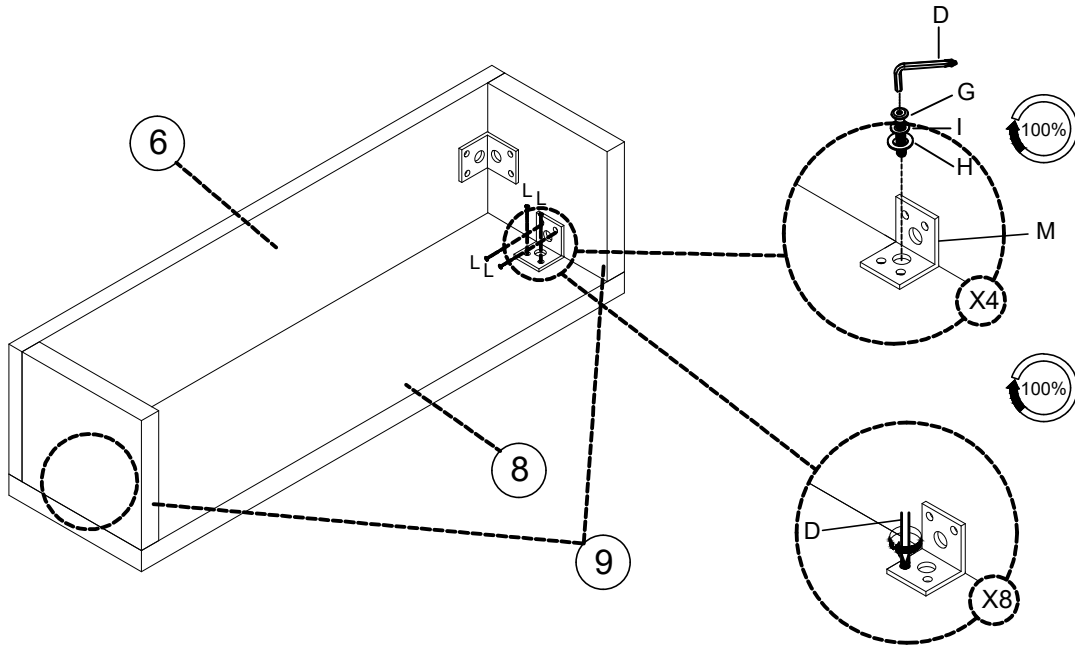
# STEP 16

G x 4	H x 4	I x 4	D x 1	L x 8	M x 2






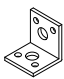


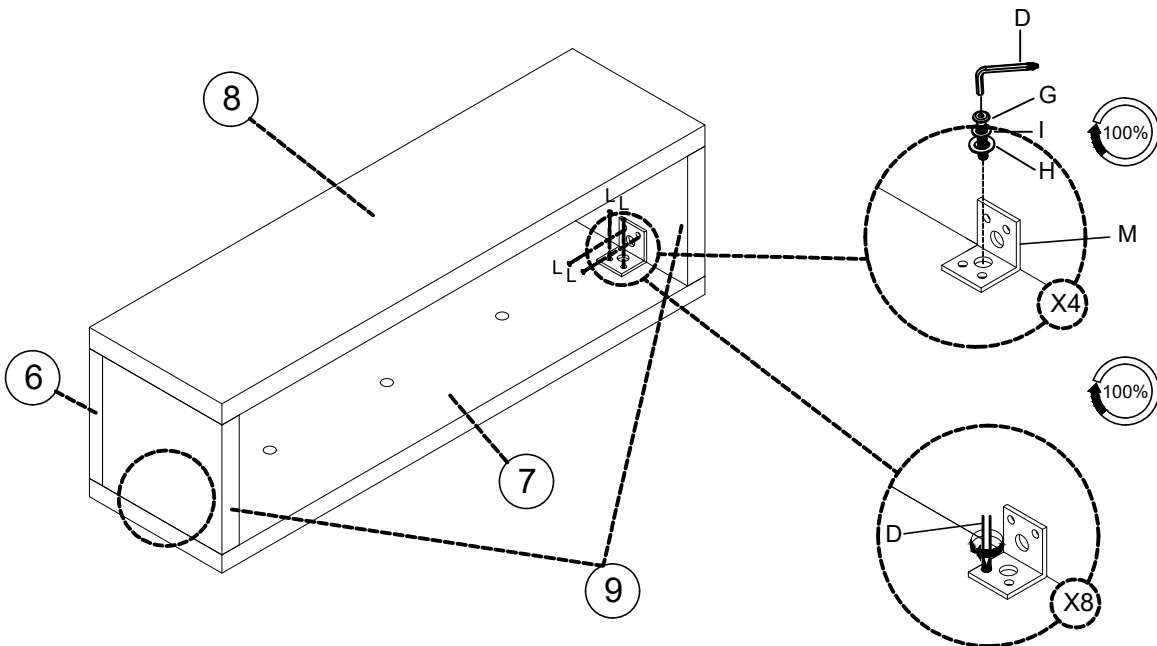
# STEP 17

G x 4	H x 4	I x 4	D x 1	L x 8	M x 2
					

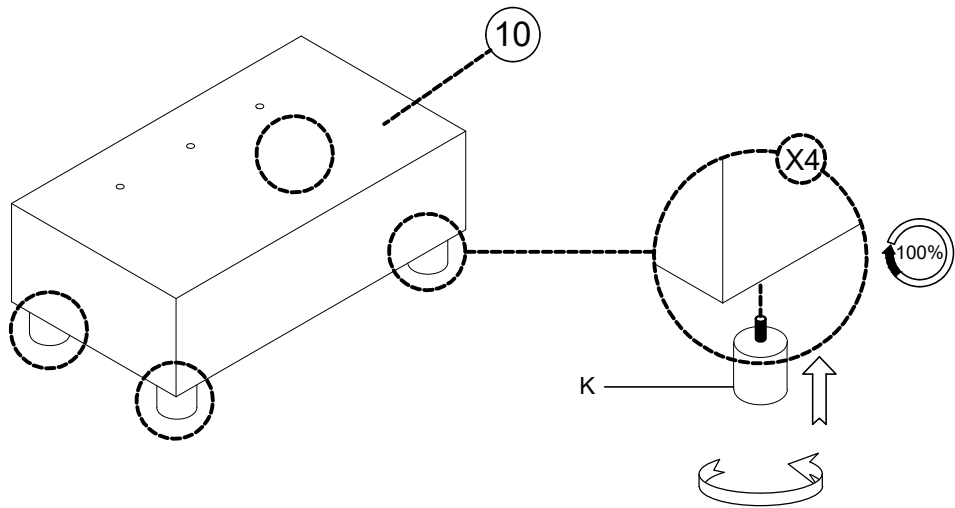
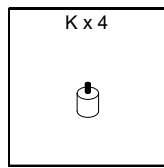


# STEP 18

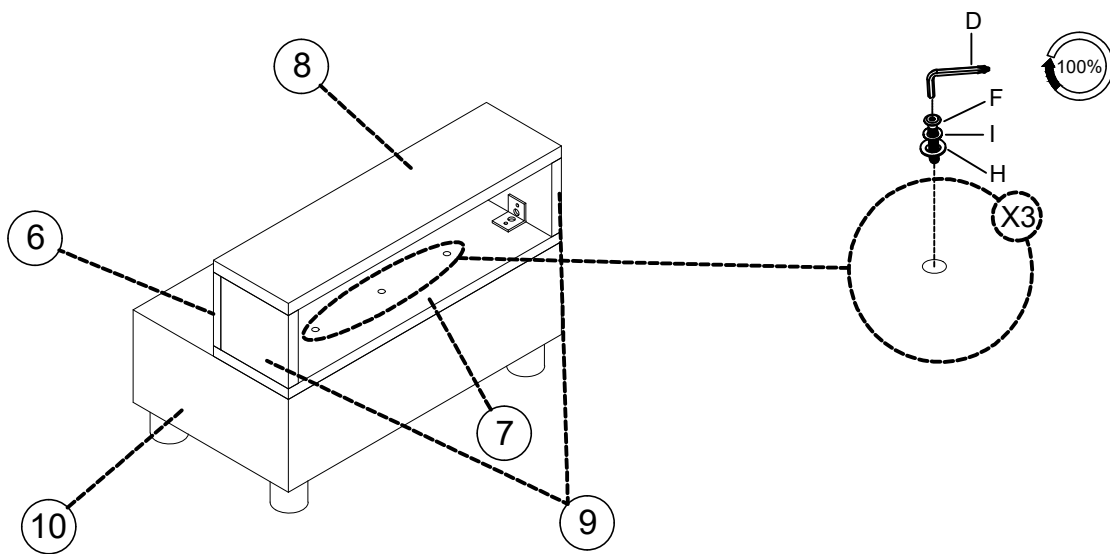
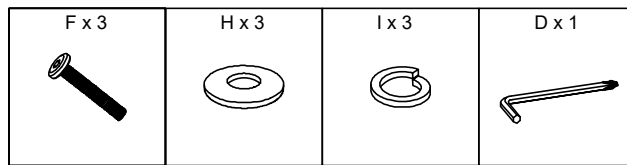
G x 4	H x 4	I x 4	D x 1	L x 8	M x 2
					



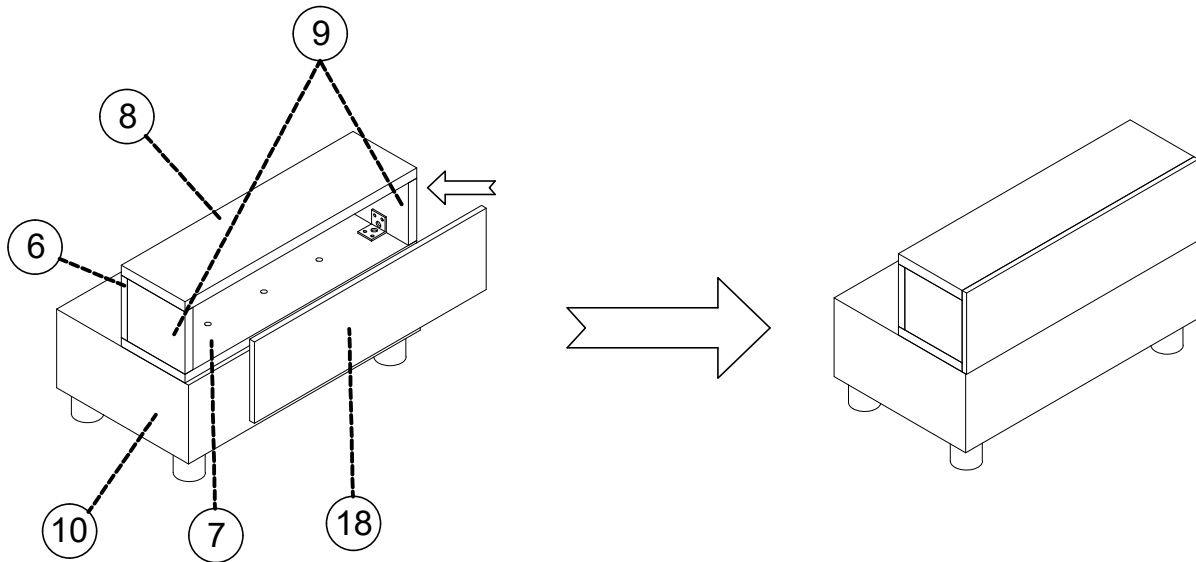
# STEP 19



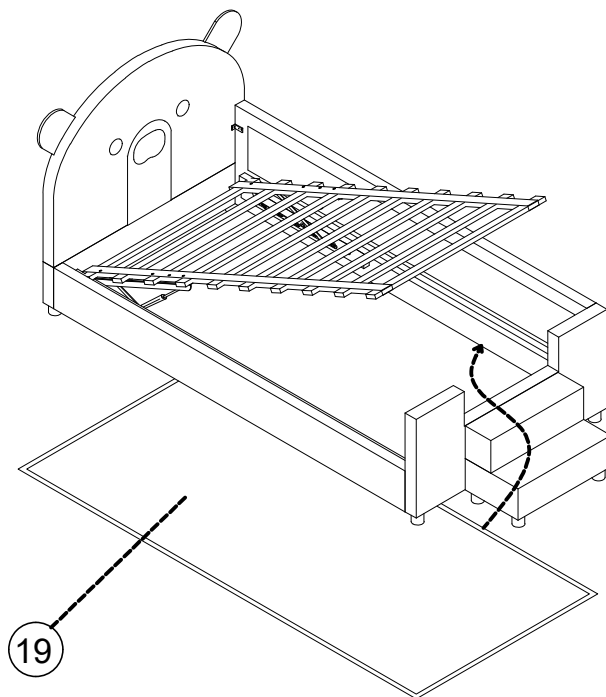
# STEP 20



# STEP 21



# STEP 22



# COMPLETE

