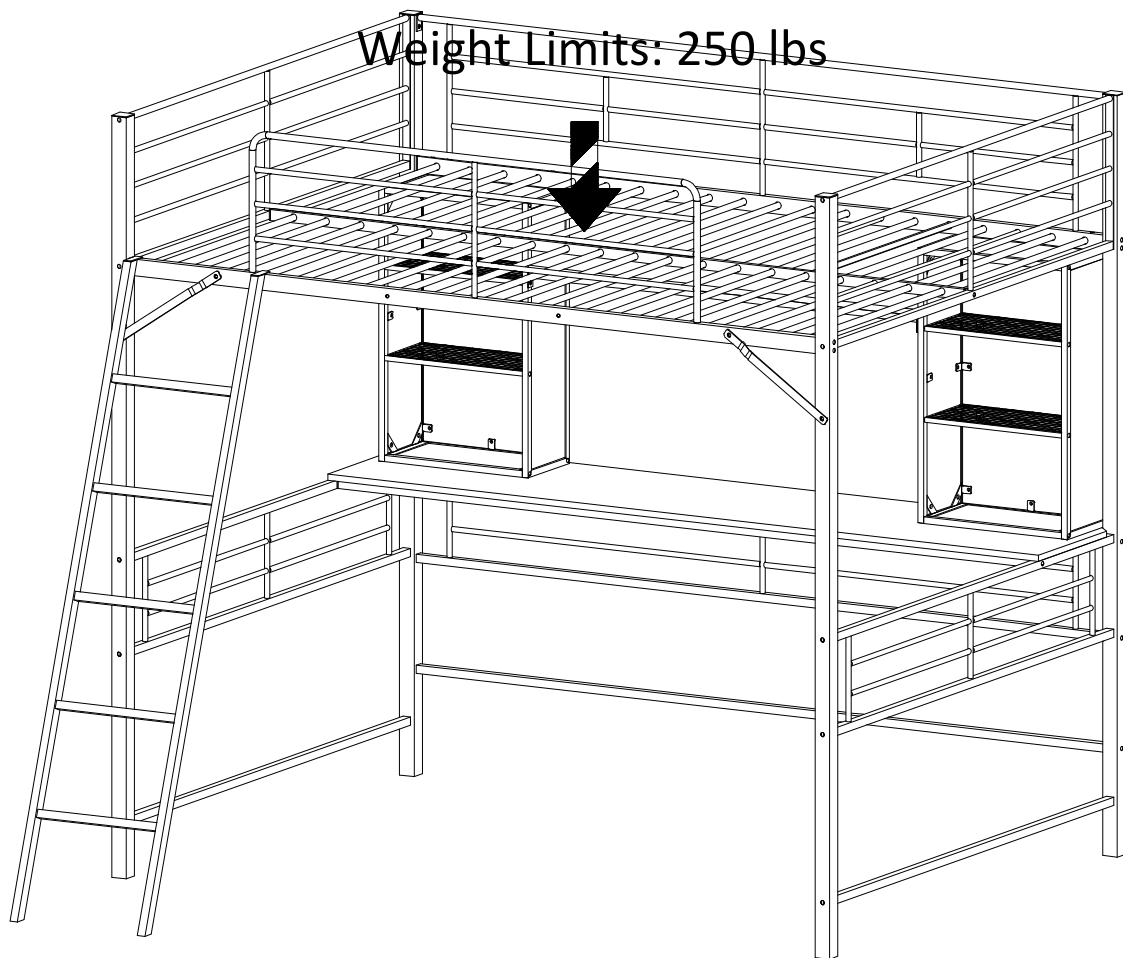


ASSEMBLY INSTRUCTIONS

SKU CODE: MF311180-MF311181





SAFETY WARNING



1. This bed is designed for use only mattress (es) meeting the following specifications on the upper bunk:

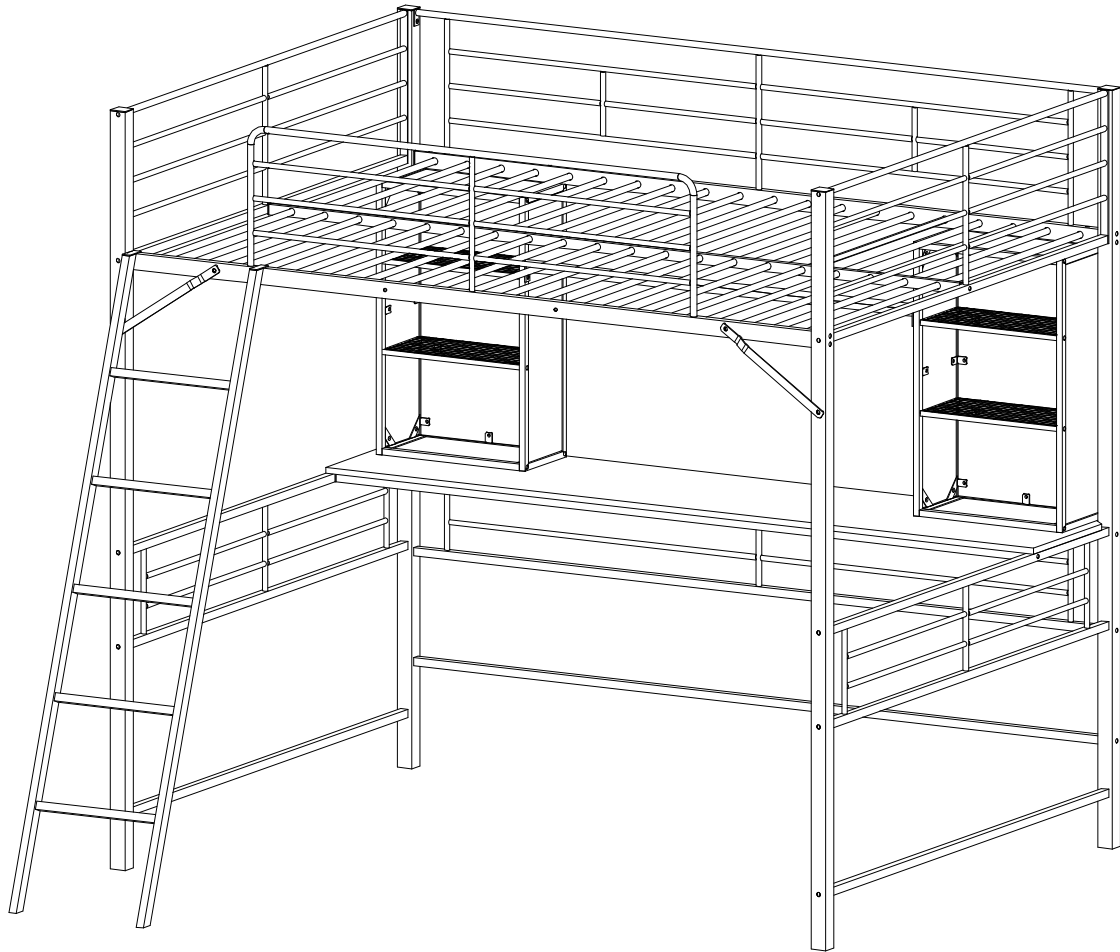
Upper bunk

Bed type	Length	Width	Thickness
Full Standard	74" - 75"	53 ½"	6" max

2. Replacement parts, including additional guardrails, maybe obtained from any of our (GIGACLOUD TECHNOLOGY (USA) INC. 18961 ARENTH AVENUE CITY OF INDUSTRY, CA, 91748) dealers
3. Follow the information on the warnings appearing on the upper bunk bed end structure and on the carton. Do not remove warning label from bed.
4. Always use the recommended size mattresses or mattress supports, or both, to help prevent the likelihood of entrapment or falls.
5. Surface of mattress must be at least 5" (127mm) below the upper edge of guardrails.
6. Do not allow children under 6 years of age to use the upper bunk.
7. Periodically check and ensure that the guardrail, ladder, and other components are in their proper position, free from damage, and that all connectors are tight.
8. Do not allow horseplay on or under the bed and prohibit jumping on the bed.
9. Always use the ladder for entering and leaving the upper bunk.
10. Do not use substitute part. Contact the manufacture or dealer for replacement part.
11. Use of a night light may provide added safety precaution for a child using the upper bunk.
12. Always use guardrails on both long sides of the upper bunk. If the bunk bed will be placed next to the wall, the guardrail that runs the full length of the bed should be placed against the wall to prevent entrapment between the bed and wall.
13. The use of water or sleep flotation mattresses is prohibited.
14. **STRANGULATION HAZARD** - Never attach or hang items to any part of the bunk bed that are not designed for use with the bed; for example, but not limited to, hook, belts and jump ropes.
15. Keep these instruction for future reference.
16. Prohibit more than one person on upper bunk
17. We recommend assembling your bunk bed on the shipping carton to protect your floor or carpet.
18. Be certain all staples are out of the box before beginning assembly on the shipping carton.

ASSEMBLY INSTRUCTIONS

LOFT BED



Thank you for purchasing this quality product. Be sure to check all packing material carefully for small parts which may have come loose inside the carton during shipment. Separate, identify and count all parts and hardware.

Compare with the parts list to be sure all parts are present.

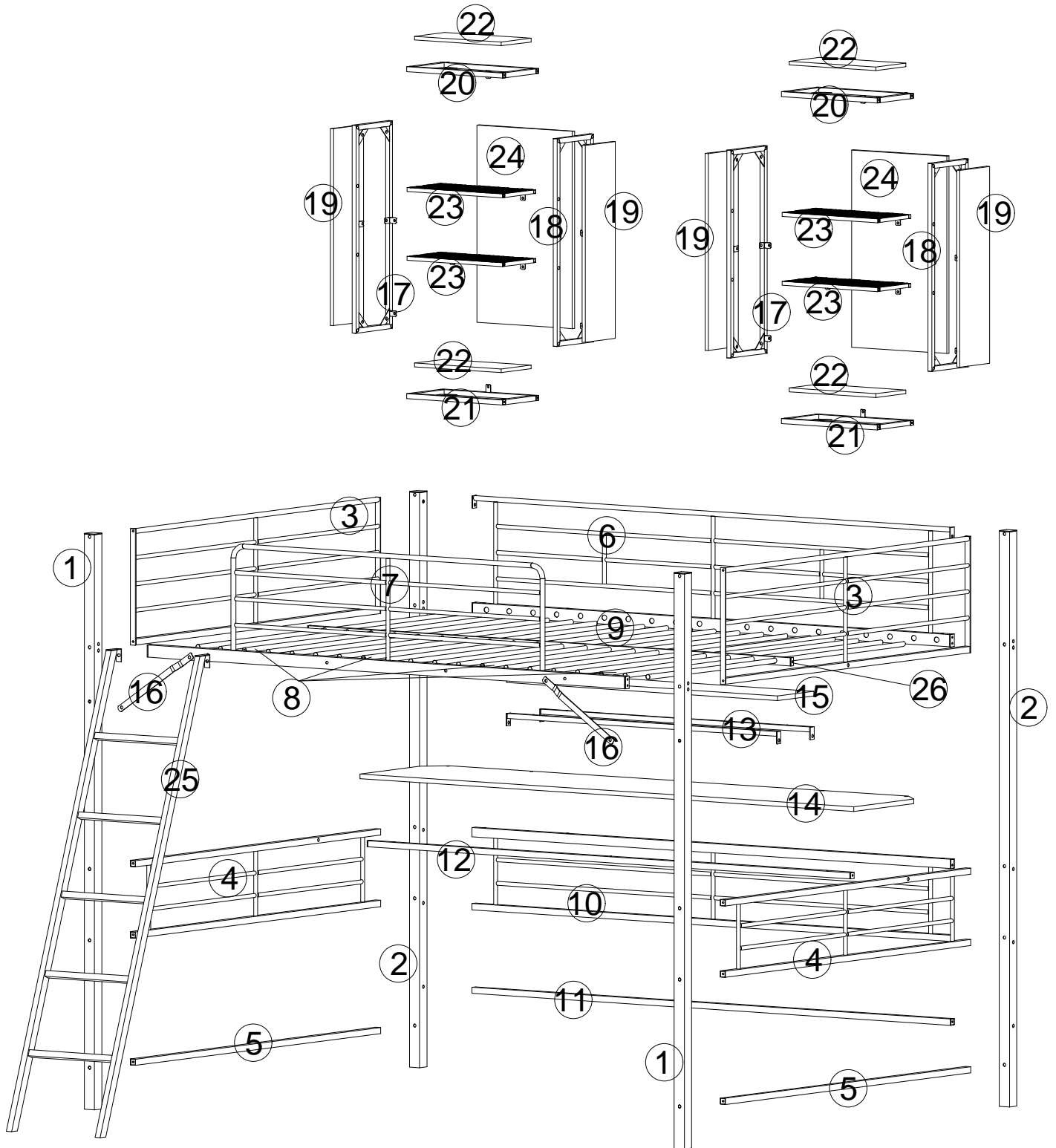
"DO NOT TIGHTEN SCREWS UNTIL COMPLETELY ASSEMBLED"

Detail View

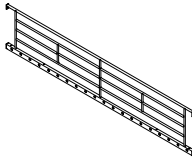
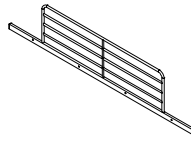
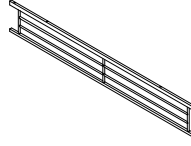
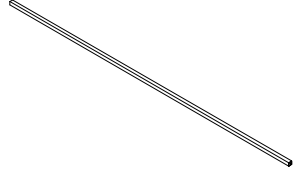
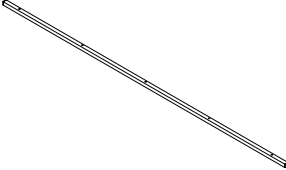
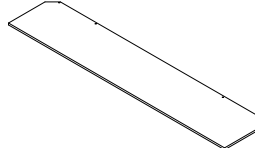


LOFT BED

IMPORTANT:

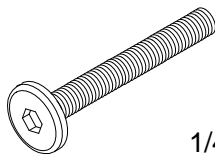
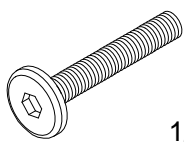
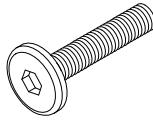
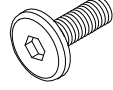
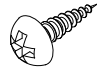

PLEASE READ INSTRUCTION BEFORE STARTING THE ASSEMBLY





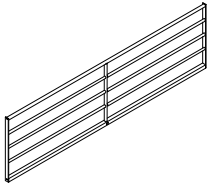
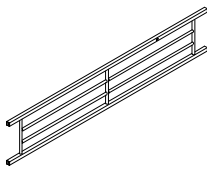
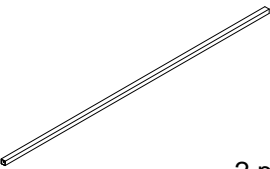
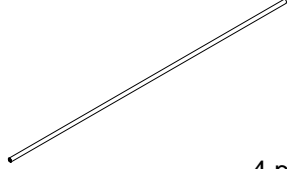
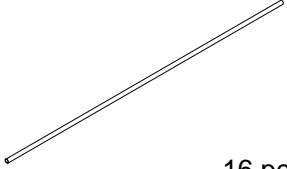
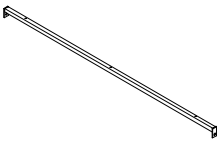
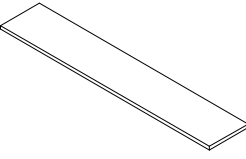
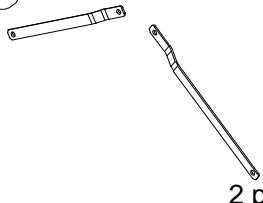

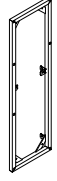

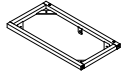
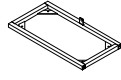
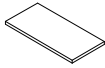


PART LIST MF311180

<p>⑥ Guard Frame</p>  <p>1 pc</p>	<p>⑦ Guard Frame</p>  <p>1 pc</p>	<p>⑩ Guard Frame</p>  <p>1 pc</p>	<p>⑪ Horizontal Bar</p>  <p>1 pc</p>
<p>⑫ Horizontal Bar</p>  <p>1 pc</p>	<p>⑭ Table surface</p>  <p>1 pc</p>	<p>⑮ Stair</p>  <p>1 pc</p>	<p>⑯ Horizontal Bar</p>  <p>1 pc</p>

HARDWARE LIST MF311180

<p>Ⓐ Bolts</p>  <p>1/4*55 42 pcs</p>	<p>Ⓑ Bolts</p>  <p>1/4*40 4 pcs</p>	<p>Ⓒ Bolts</p>  <p>1/4*32 24 pcs</p>	<p>Ⓓ Bolts</p>  <p>1/4*18 16 pcs</p>
<p>Ⓔ Screws</p>  <p>#8*10 75 pcs</p>	<p>Ⓕ Allen Key</p>  <p>4*59 1 pc</p>		

PART LIST MF311181

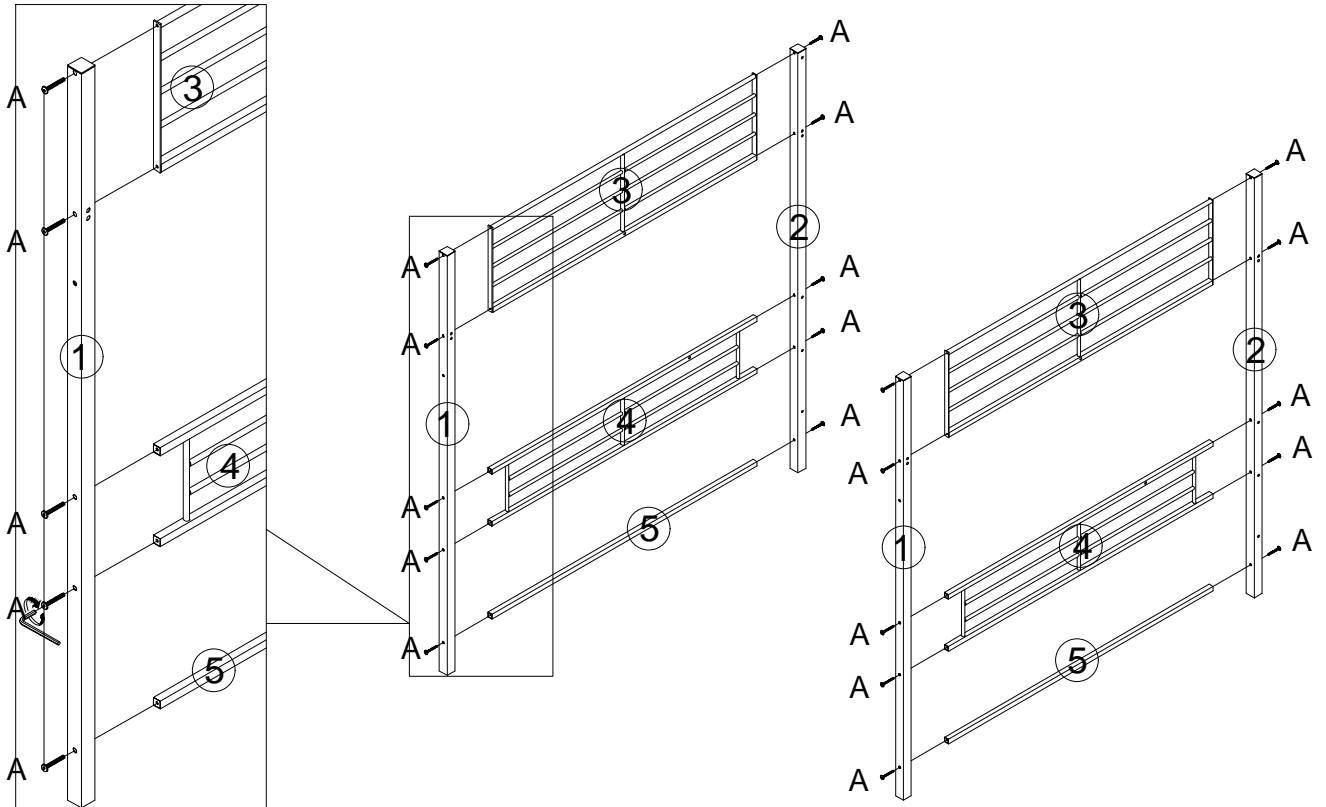
<p>① Vertical Bar</p>  <p>2 pcs</p>	<p>② Vertical Bar</p>  <p>2 pcs</p>	<p>③ Guard Frame</p>  <p>2 pcs</p>	<p>④ Guard Frame</p>  <p>2 pcs</p>
<p>⑤ Horizontal Bar</p>  <p>2 pcs</p>	<p>⑧ Slats</p>  <p>4 pcs</p>	<p>⑨ Slats</p>  <p>16 pcs</p>	<p>⑬ Horizontal Bar</p>  <p>2 pcs</p>
<p>⑮ Plank</p>  <p>1 pc</p>	<p>⑯ Support bar</p>  <p>2 pcs</p>	<p>⑰ Shelf Frame</p>  <p>2 pcs</p>	<p>⑱ Shelf Frame</p>  <p>2 pcs</p>
<p>⑲ Plank</p>  <p>4 pcs</p>	<p>⑳ Shelf Frame</p>  <p>2 pcs</p>	<p>㉑ Shelf Frame</p>  <p>2 pcs</p>	<p>㉒ Plank</p>  <p>4 pcs</p>
<p>㉓ Net Frame</p>  <p>4 pcs</p>	<p>㉔ Shelf Back Panel</p>  <p>2 pcs</p>		

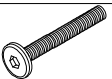
LOFT BED

ASSEMBLY INSTRUCTIONS

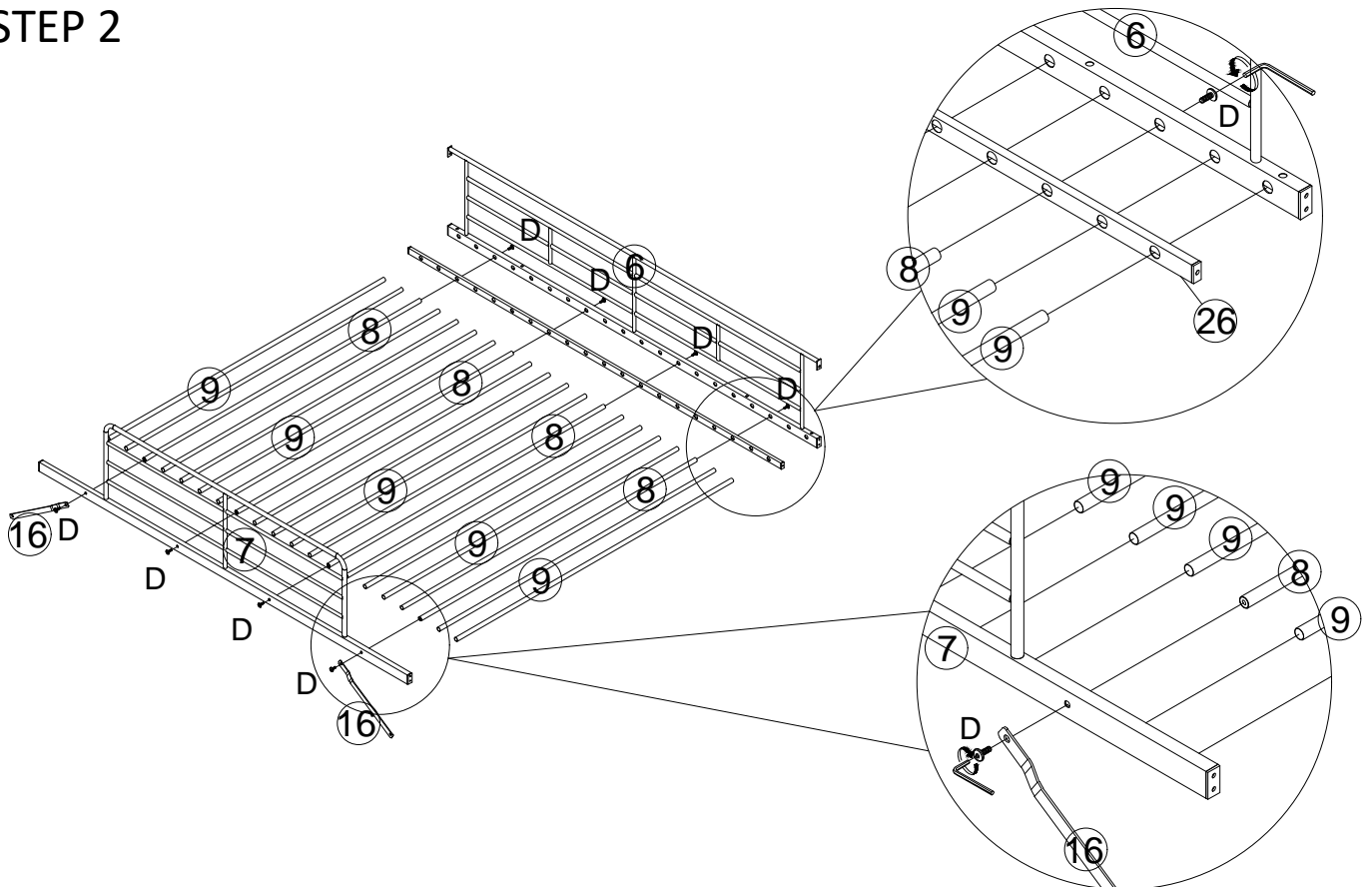
ITEM: MF311180-MF311181


STEP 1



(A)		1/4*55	20 pcs
-----	---	--------	--------

STEP 2



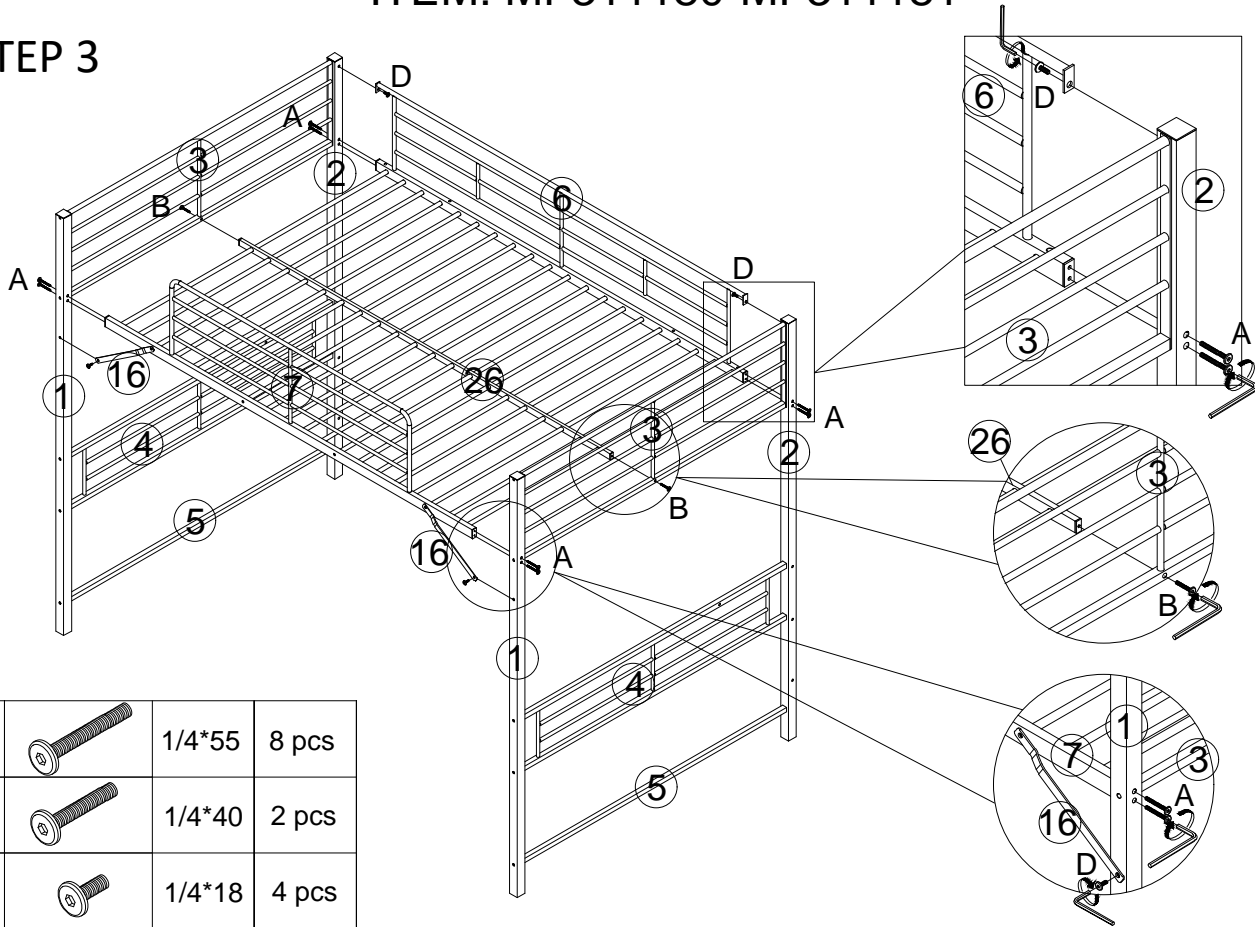
(D)		1/4*18	8 pcs
-----	---	--------	-------

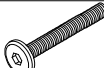
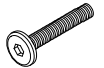

LOFT BED

ASSEMBLY INSTRUCTIONS

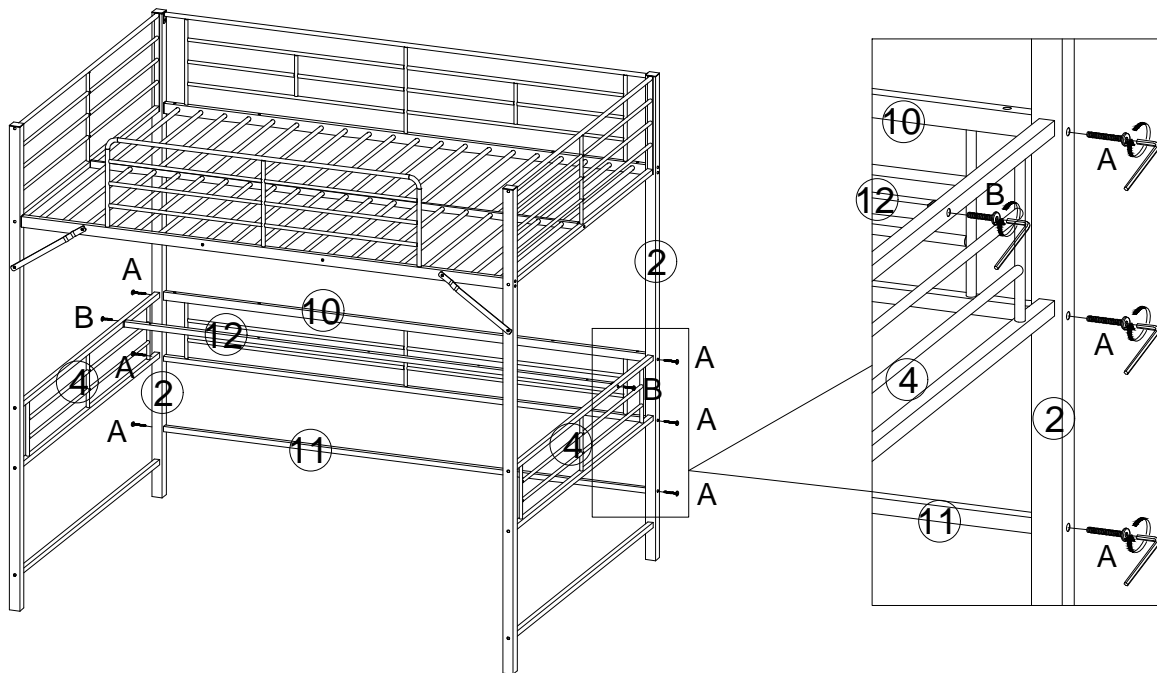
ITEM: MF311180-MF311181

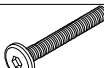
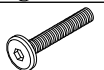
STEP 3



A		1/4*55	8 pcs
B		1/4*40	2 pcs
D		1/4*18	4 pcs

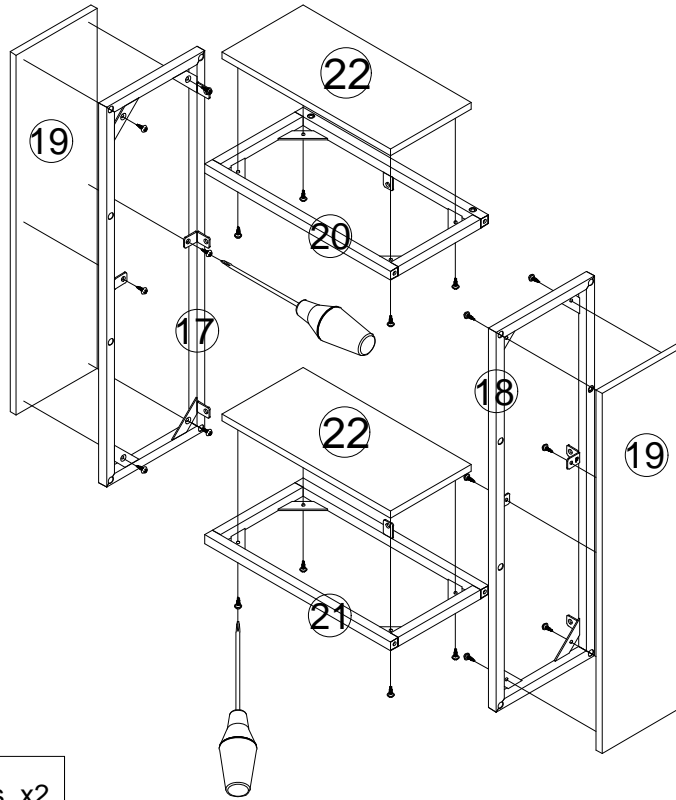
STEP 4




A		1/4*55	6 pcs
B		1/4*40	2 pcs

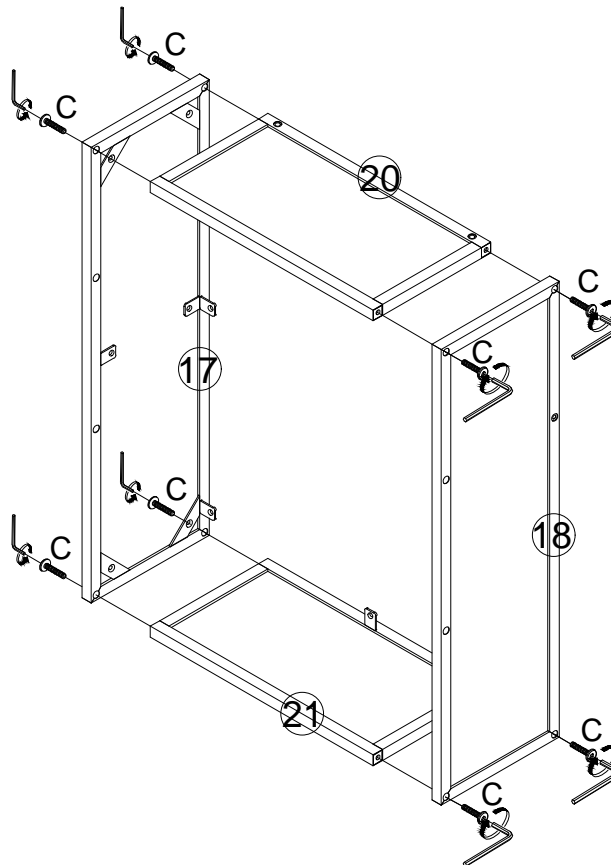
LOFT BED ASSEMBLY INSTRUCTIONS ITEM: MF311180-MF311181


STEP 5 x2



E		#8*10	20 pcs x2
---	---	-------	-----------

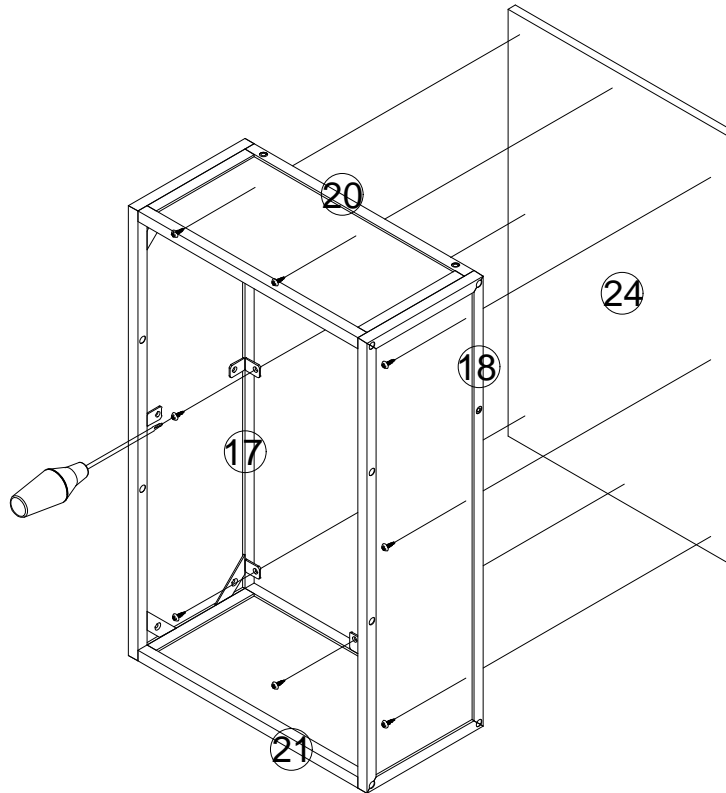
STEP 6 x2




C		1/4*32	8 pcs x2
---	---	--------	----------

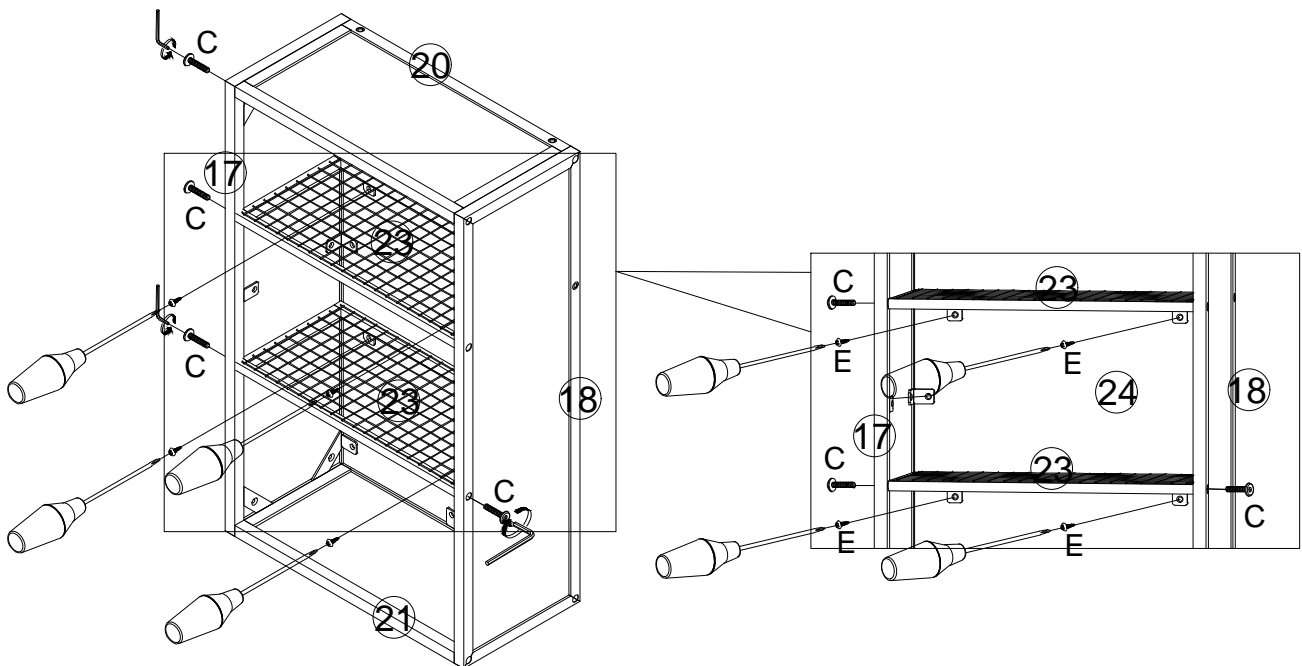
LOFT BED ASSEMBLY INSTRUCTIONS ITEM: MF311180-MF311181



STEP 7 x2



E		#8*10	8 pcs x2
---	---	-------	----------

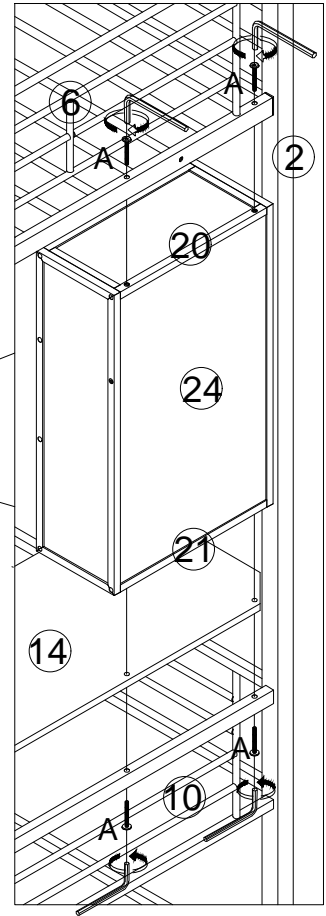
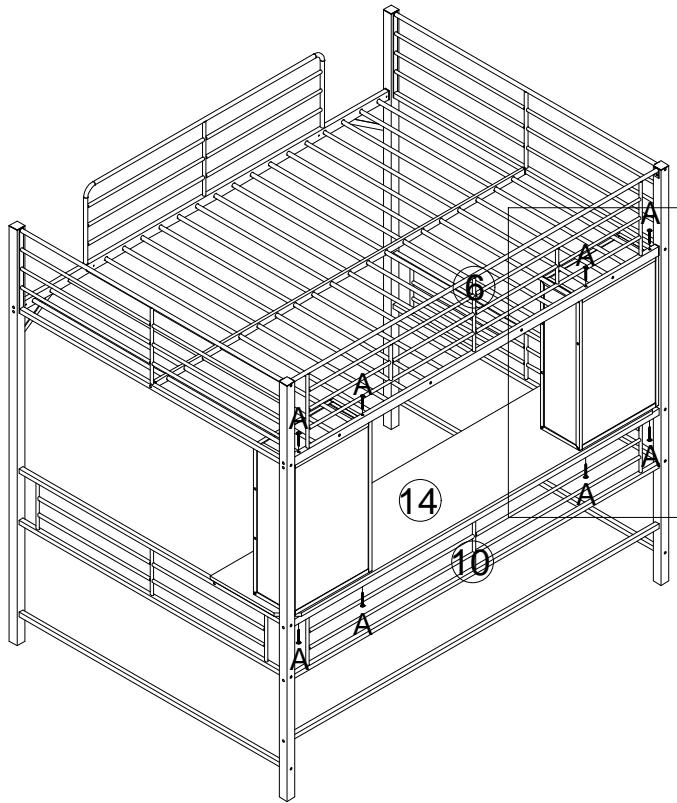
STEP 8 x2




C		1/4*32	3 pcs x2
E		#8*10	4 pcs x2

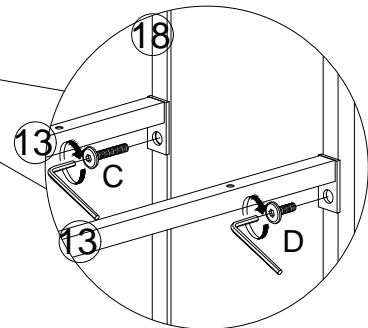
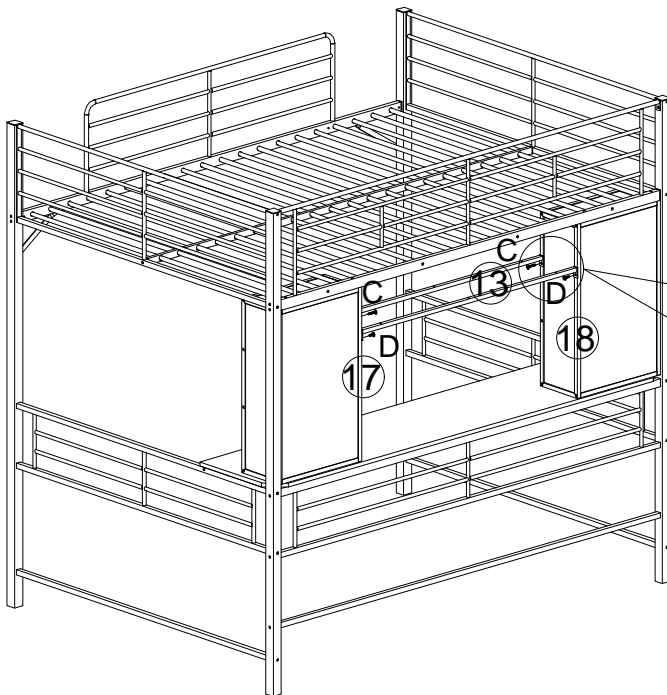
LOFT BED ASSEMBLY INSTRUCTIONS ITEM: MF311180-MF311181

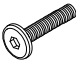

STEP 9



A		1/4*55	8 pcs
---	---	--------	-------

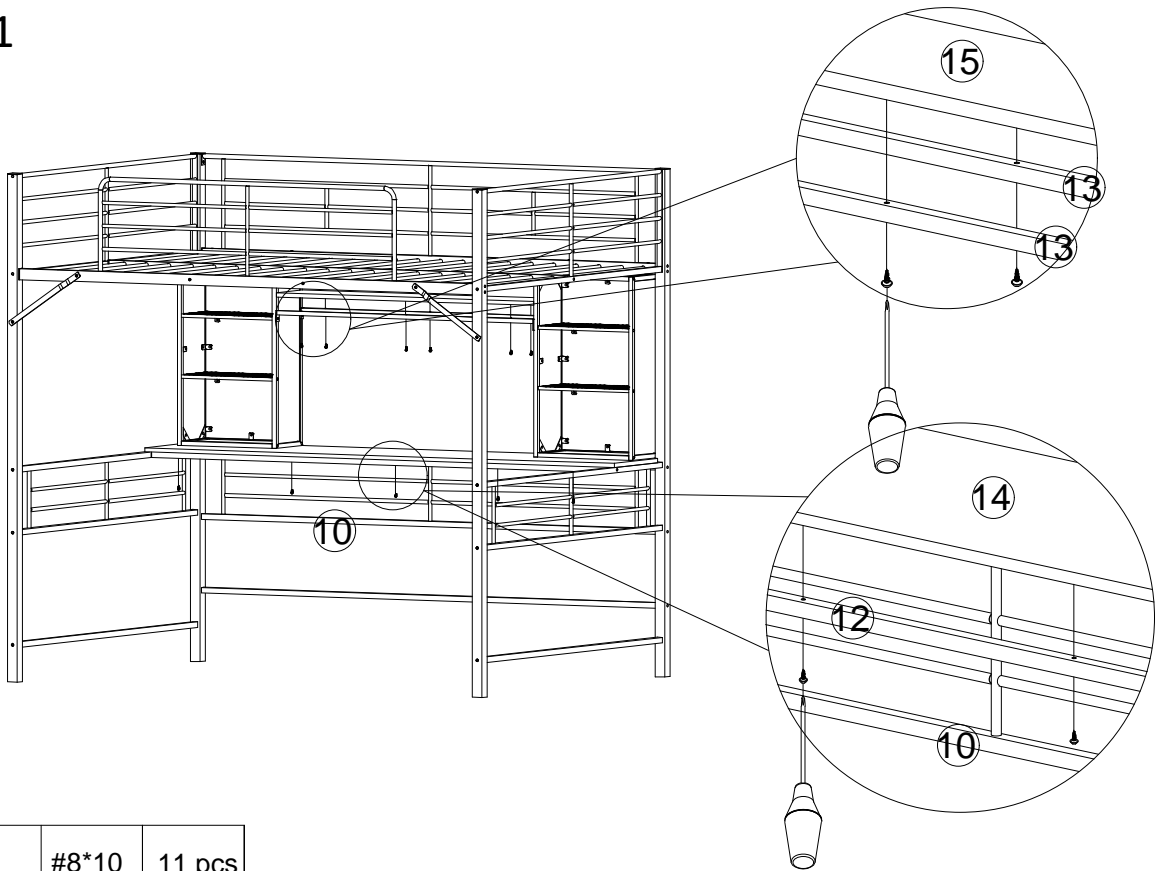
STEP 10



C		1/4*32	2 pcs
D		1/4*18	2 pcs

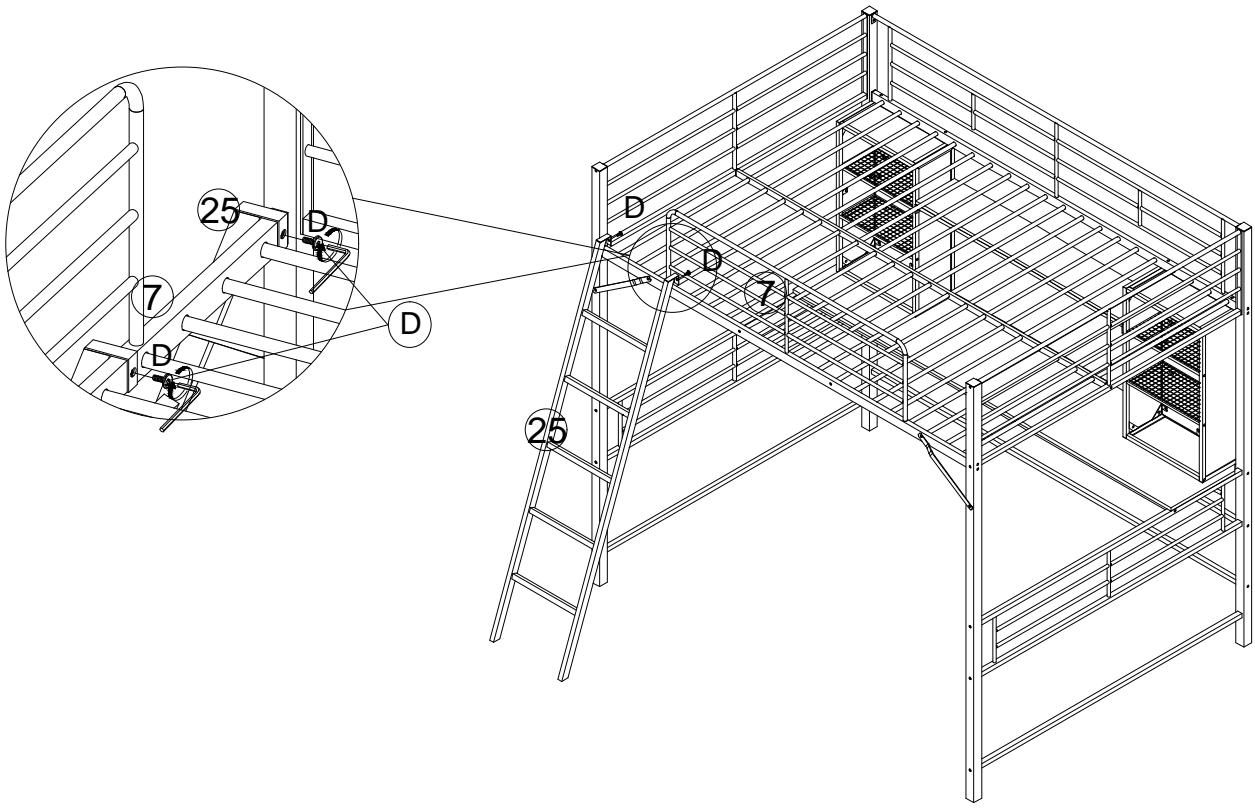
LOFT BED ASSEMBLY INSTRUCTIONS ITEM: MF311180-MF311181


STEP 11



E		#8*10	11 pcs
---	---	-------	--------

STEP 12



D		1/4*18	2 pcs
---	---	--------	-------

LOFT BED
ASSEMBLY INSTRUCTIONS
ITEM: MF311180-MF311181

COMPLETE

