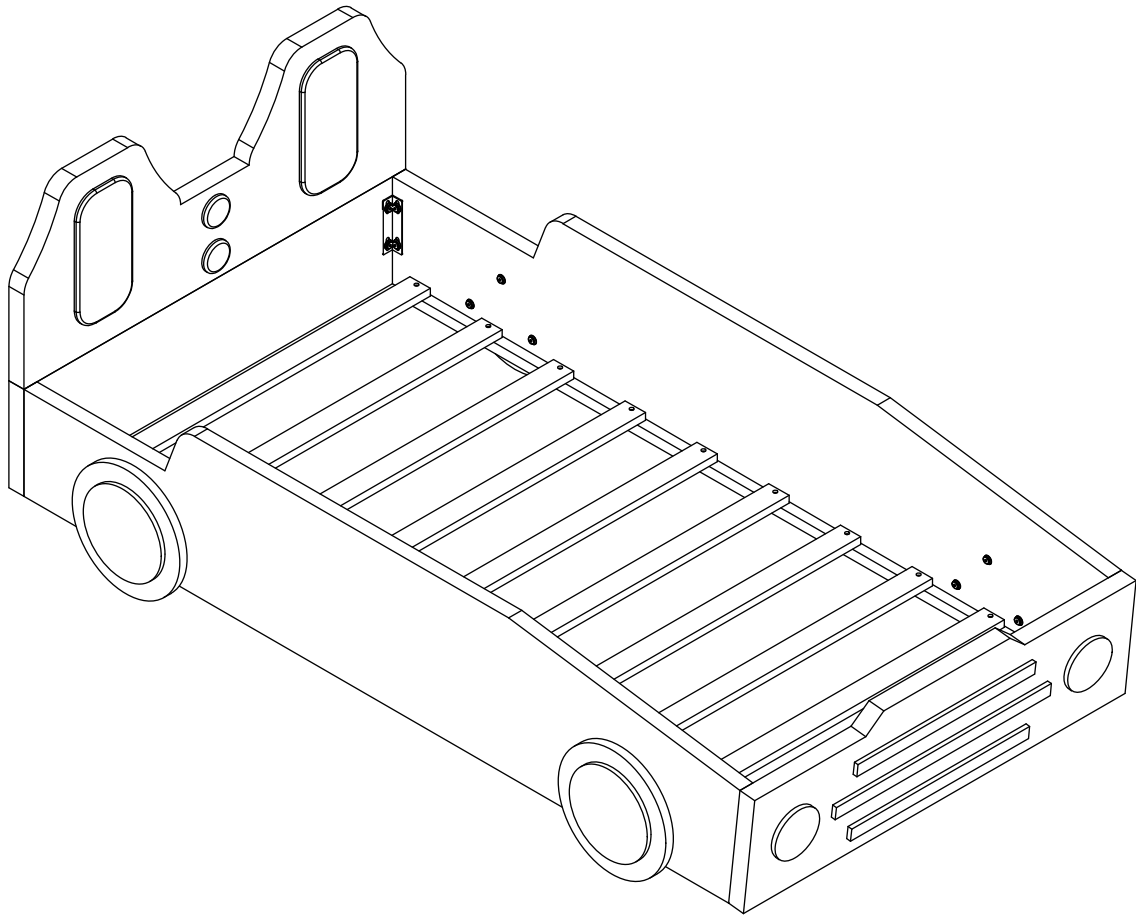
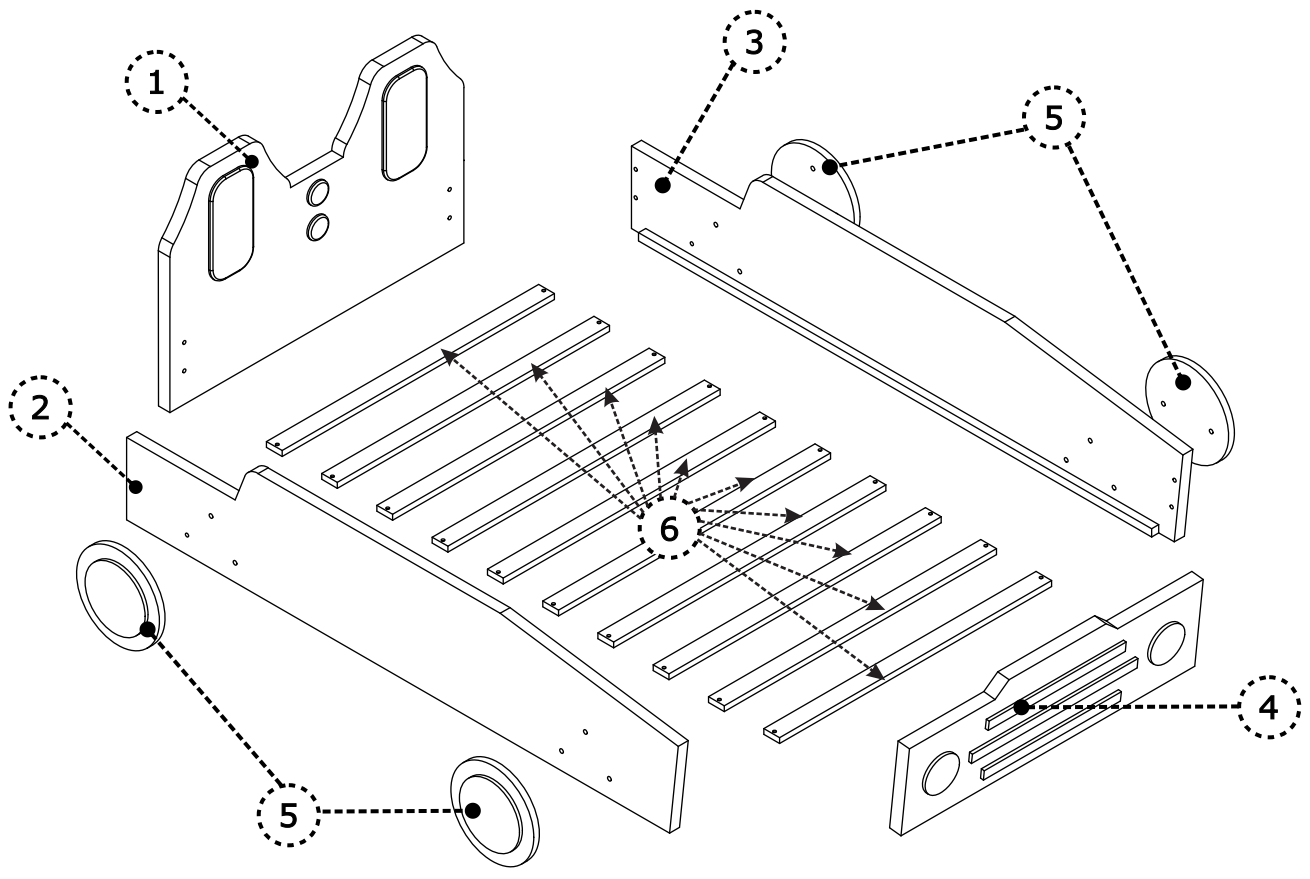


WF316642
WF316643



ASSEMBLY INSTRUCTIONS



PARTS

Check that you've received
all parts listed below.

BOX: 1/2
WF316642

2 x 1



Side board Left

3 x 1



Side board Right

Hardware

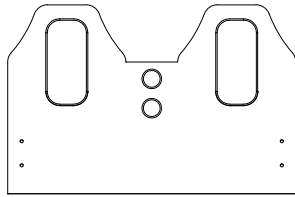


PARTS

Check that you've received
all parts listed below.

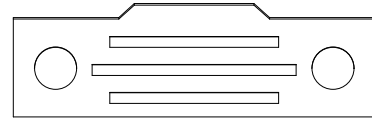
BOX: 2/2
WF316643

1 x 1



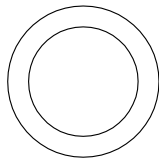
Head Board

4 x 1



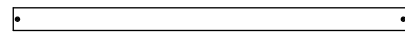
Foot Board

5 x 4



Legs

6 x 10

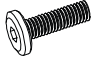
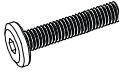
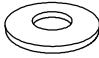


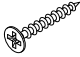
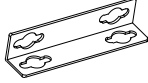


Slats

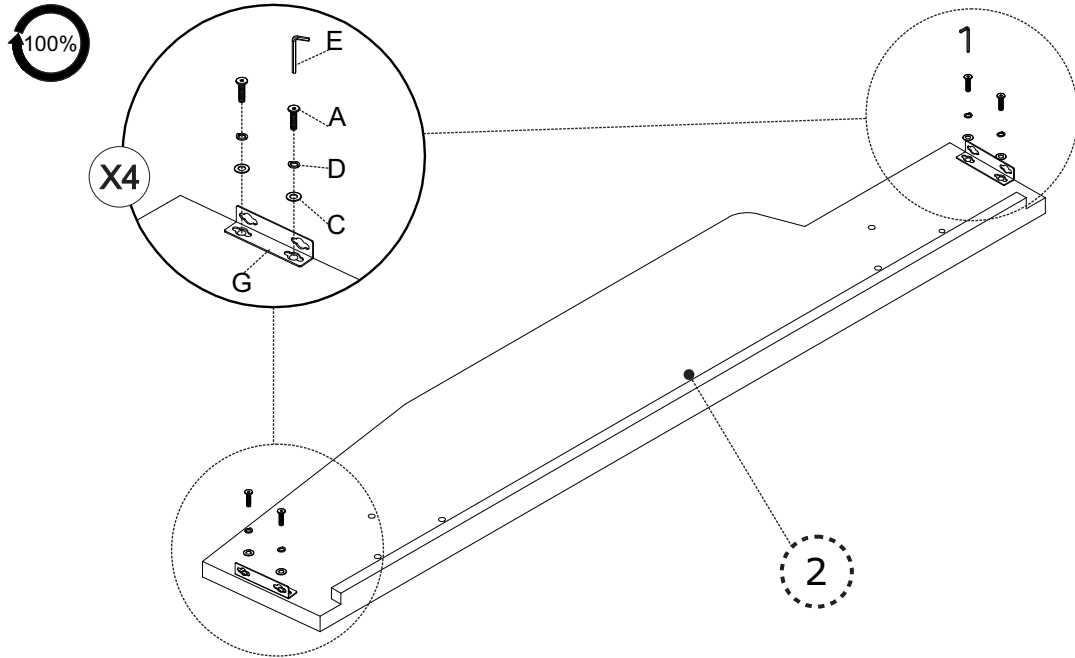
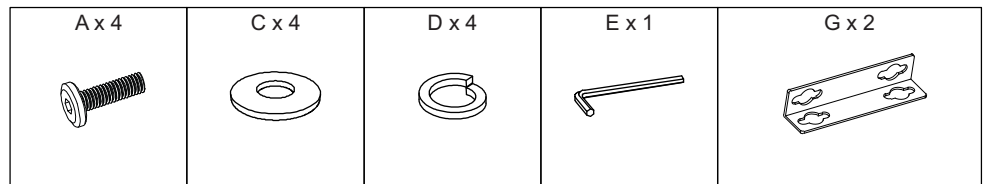
HARDWARE

Check that you've received
all hardware listed below.

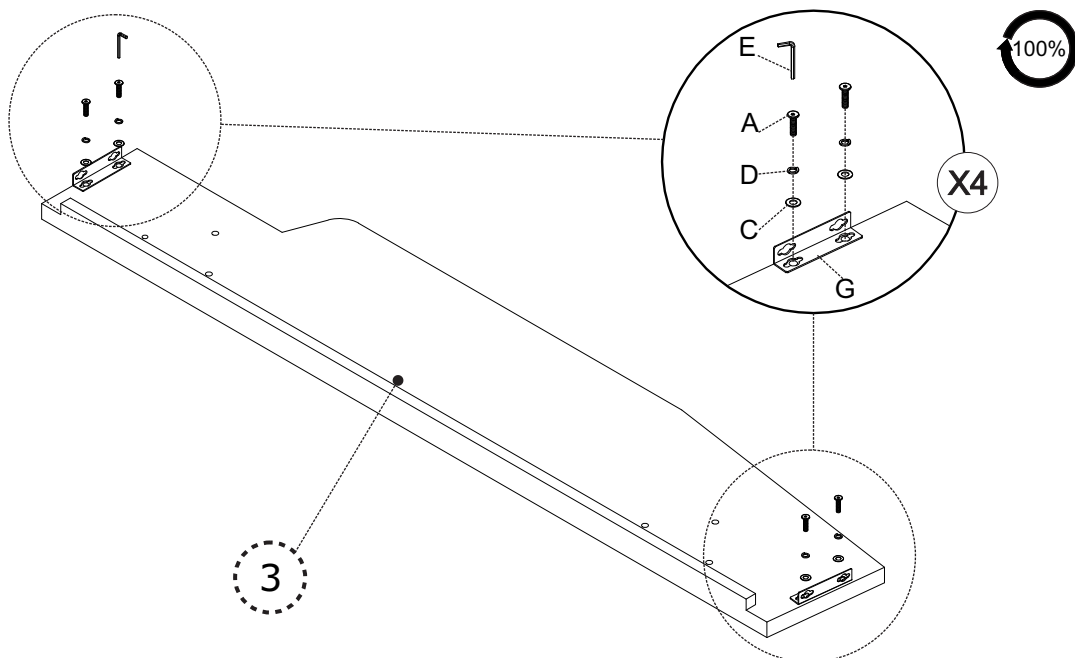
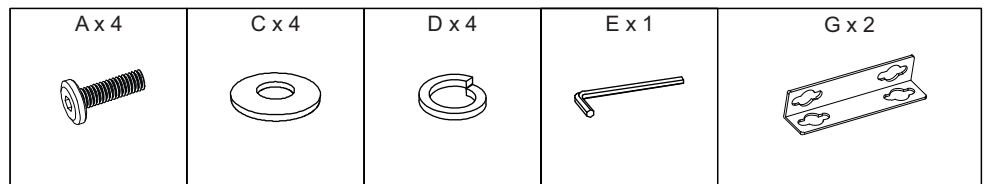
Hardware List

No.	OUTLOOK	DESC	QTY
(A)		Bolts 5/16"x20 mm	16
(B)		Bolts 5/16"x30 mm	12
(C)		Plain washer Ø19x1.5 mm	28
(D)		Spring washer Ø13x1 mm	28
(E)		Allen key 80x30x4 mm	1
(F)		Screws Ø4x30 mm	20
(G)		Steel Pat	4

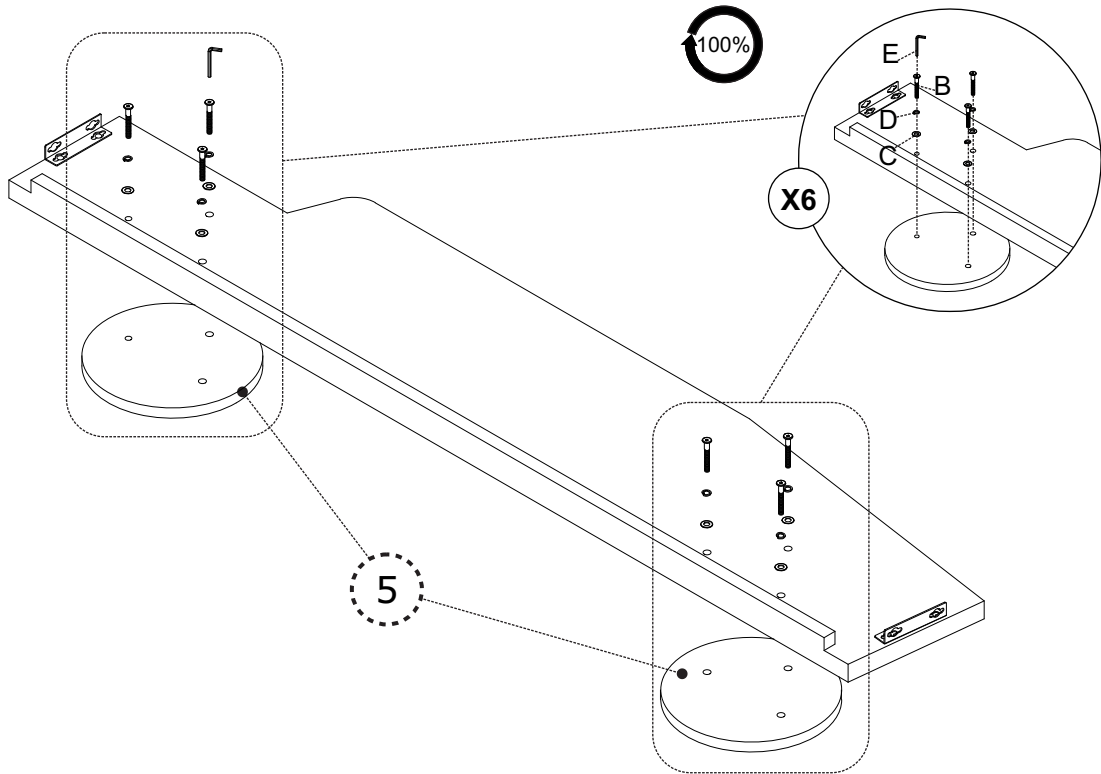
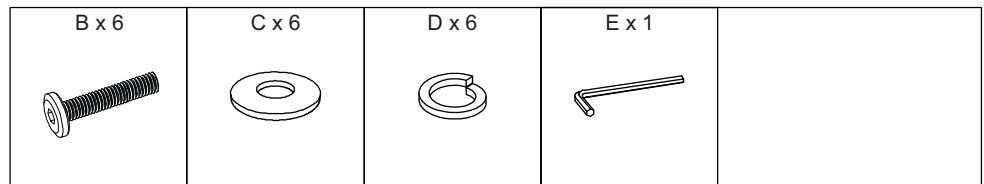
STEP 1



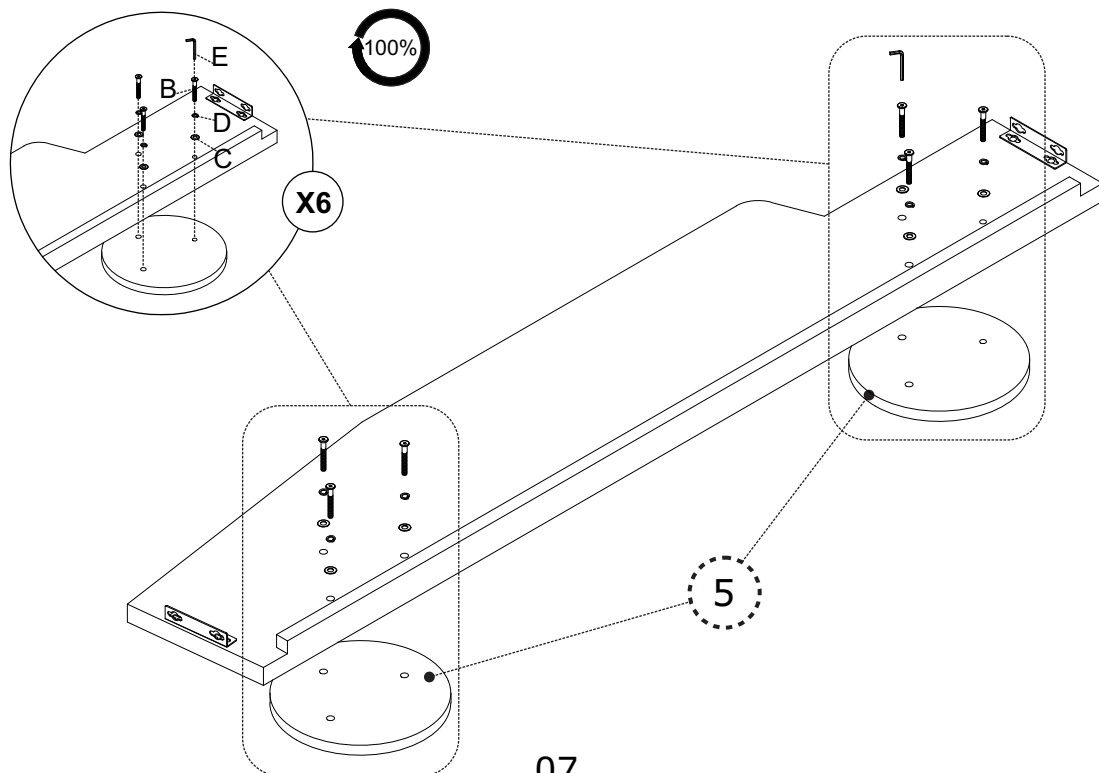
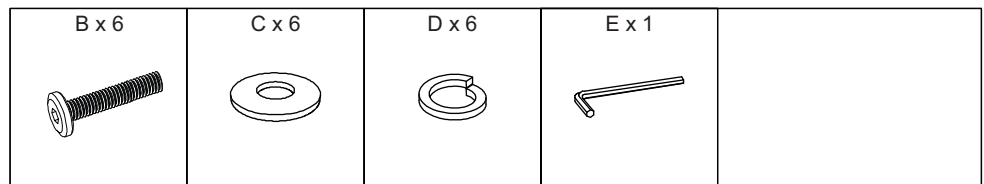
STEP 2



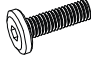



STEP 3

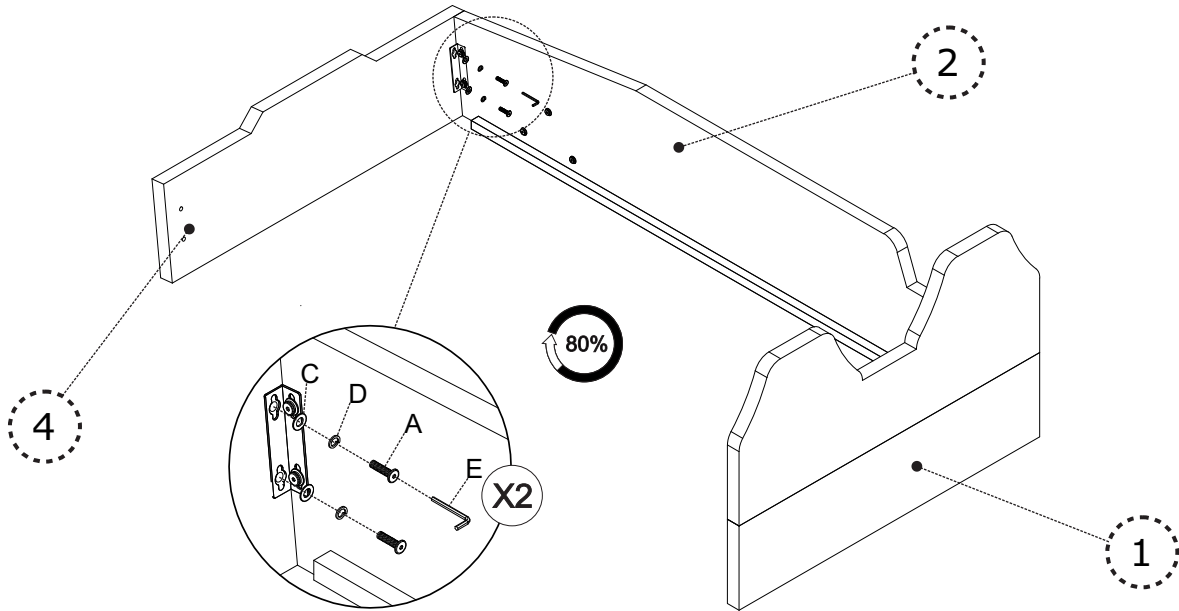


STEP 4

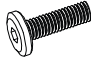





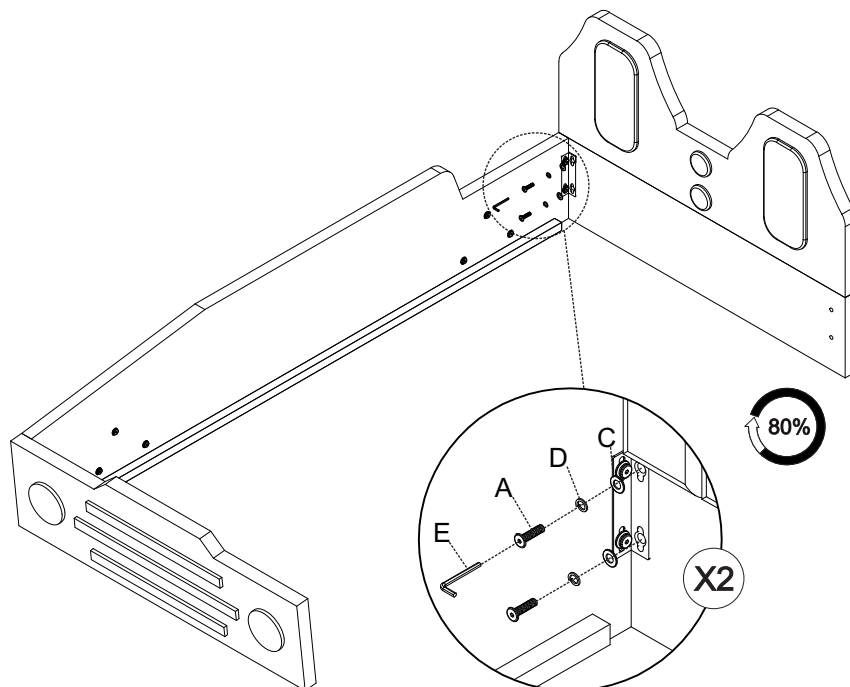
STEP 5

A x 2 	C x 2 	D x 2 	E x 1 	
--	--	--	--	--

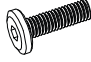





STEP 6

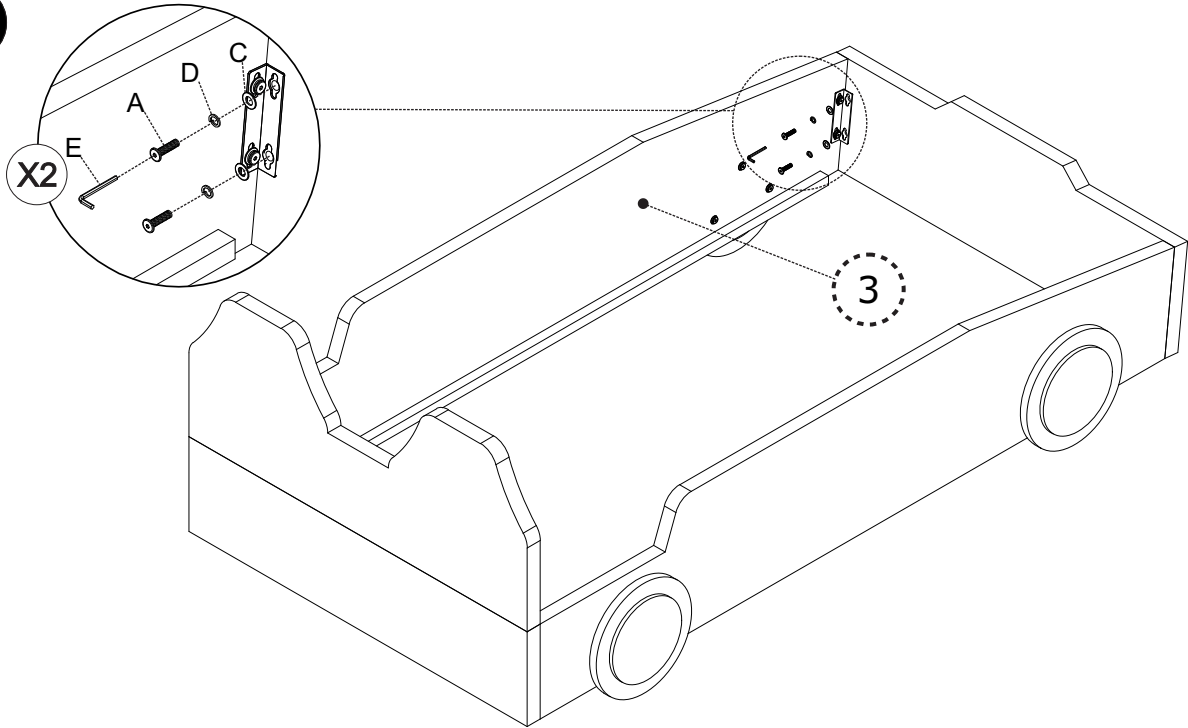
A x 2 	C x 2 	D x 2 	E x 1 	
--	--	--	--	--



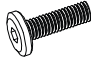



STEP 7

A x 2 	C x 2 	D x 2 	E x 1 	
--	--	--	--	--

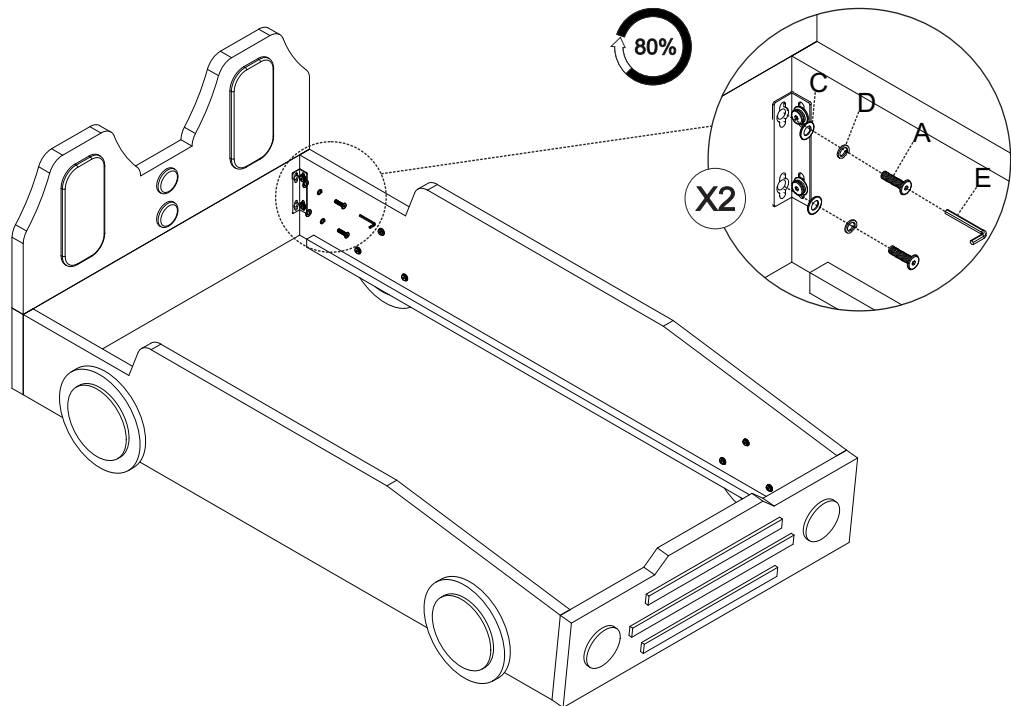
80%



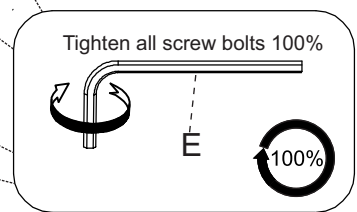
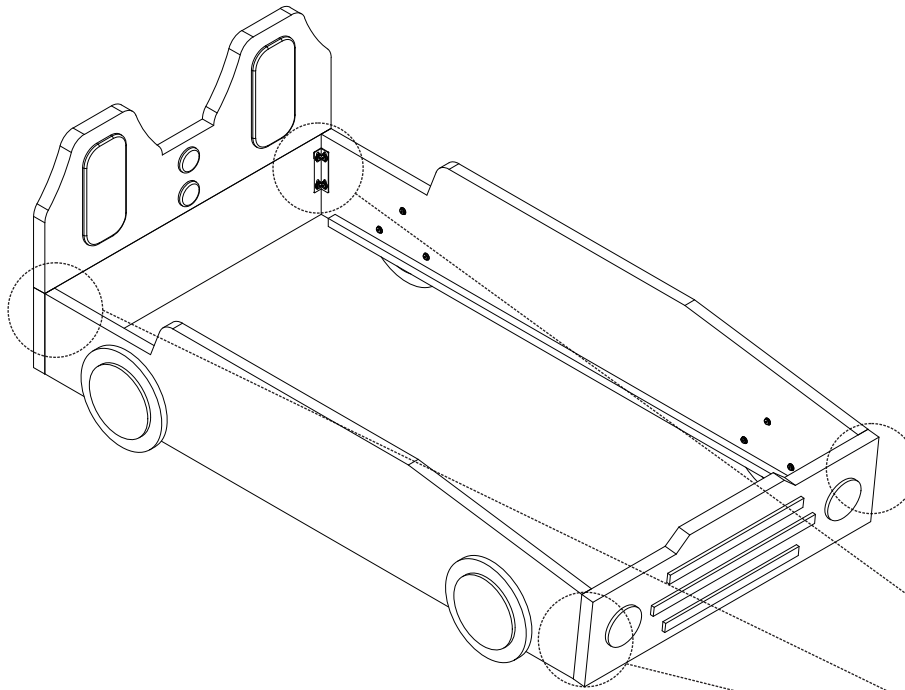
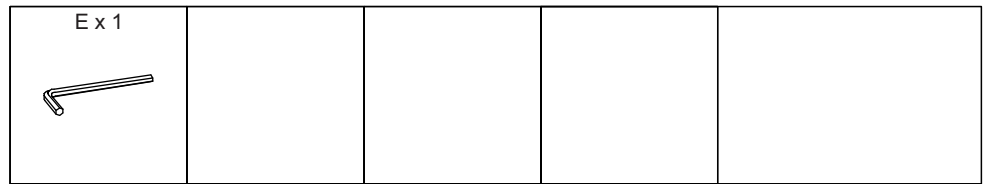
STEP 8

A x 2 	C x 2 	D x 2 	E x 1 	
--	--	--	--	--

80%



STEP 9



STEP 10

