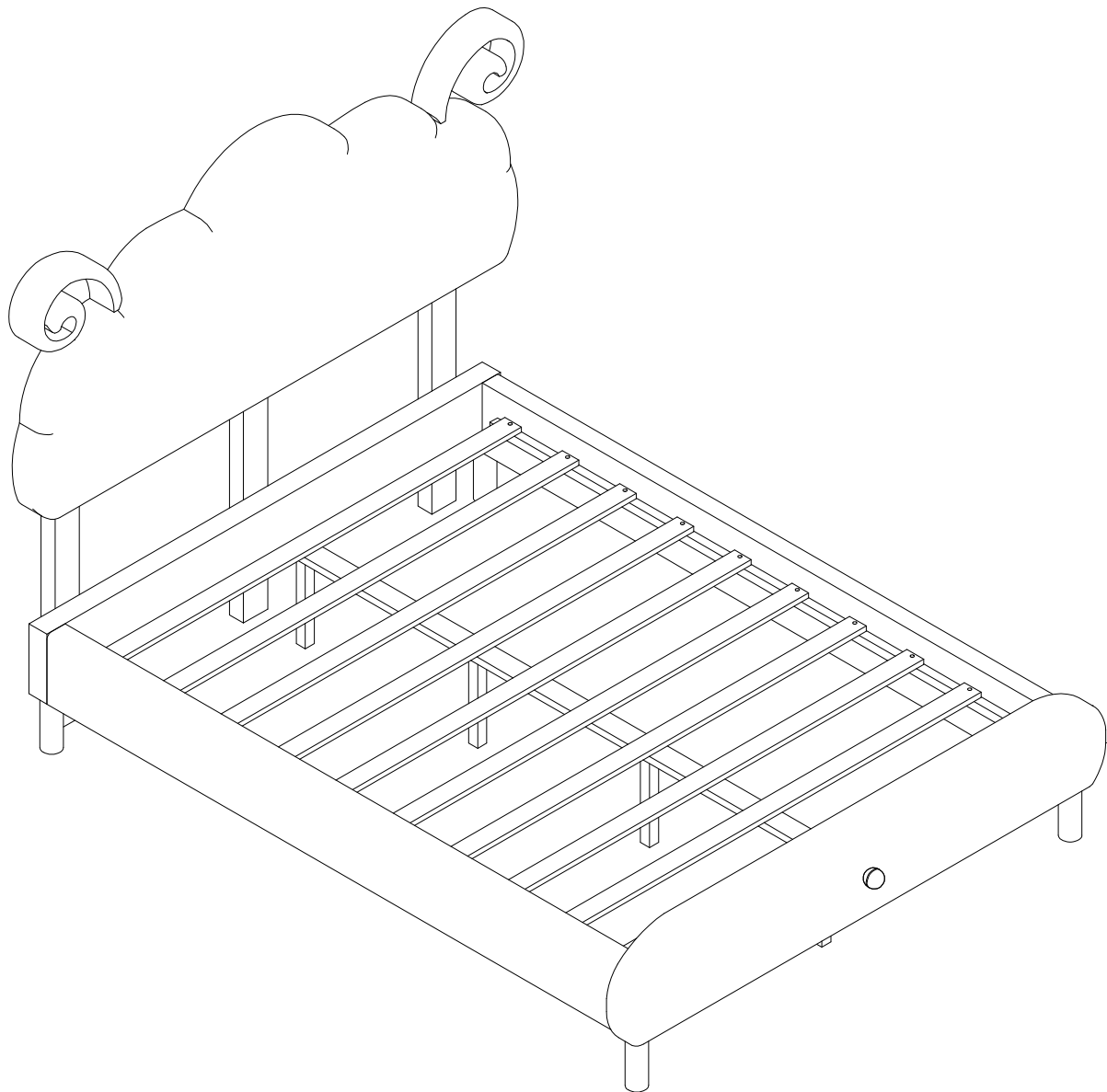
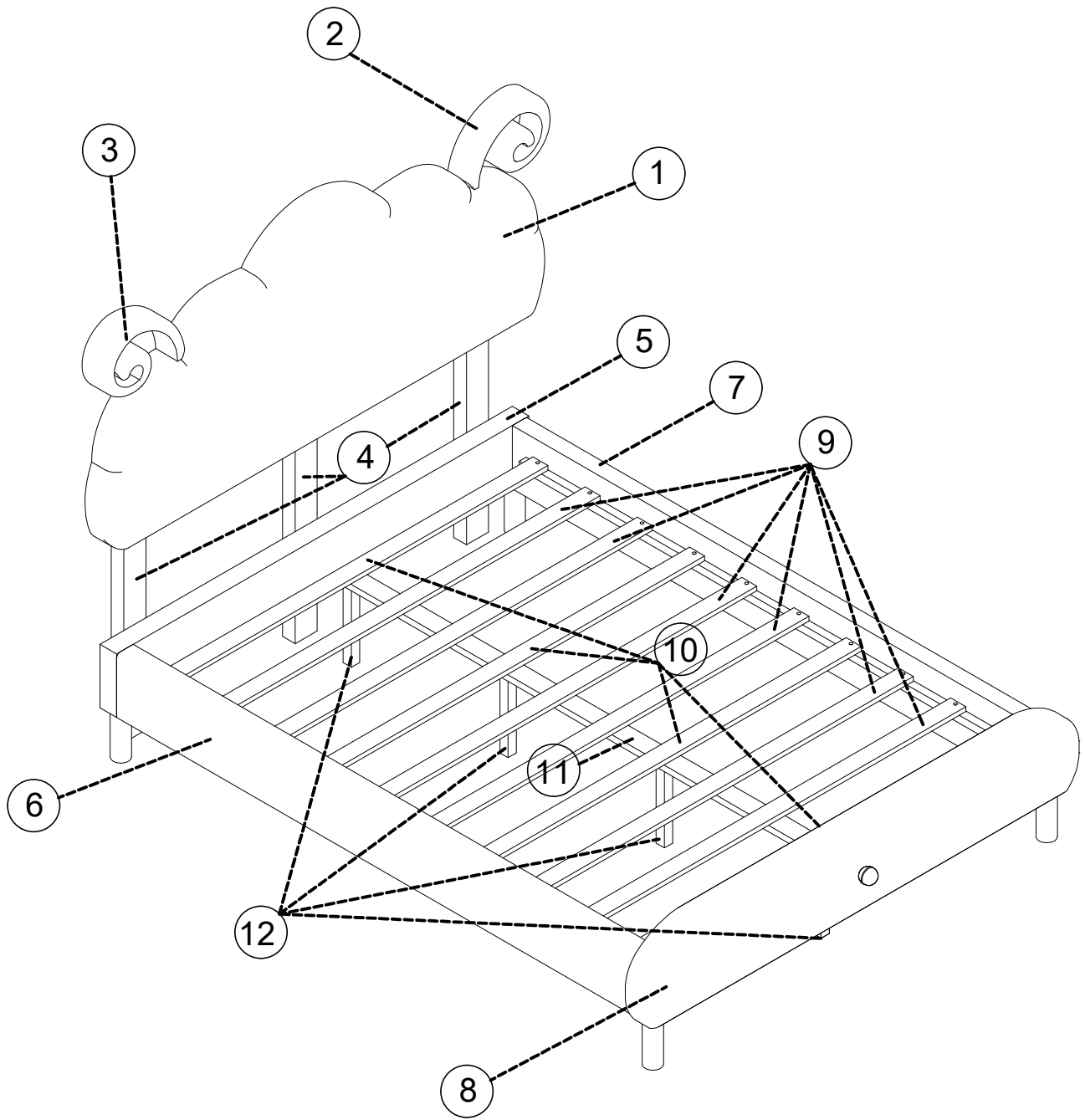


# ASSEMBLY INSTRUCTION

**SKU CODE: (WF323636/WF323637)**

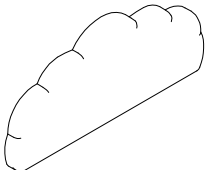
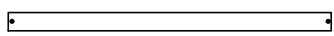
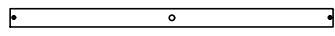

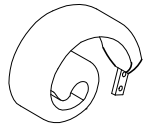
**This set included 2 boxex if do not receive full 2 boxex. Please contact our customer service team**



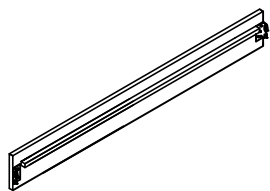
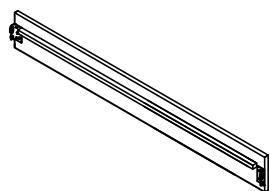
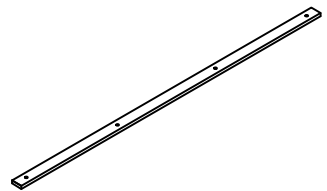
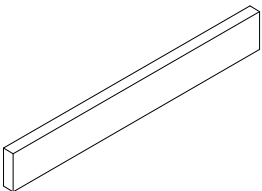
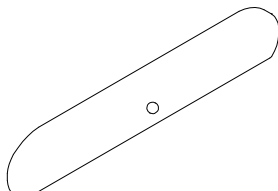

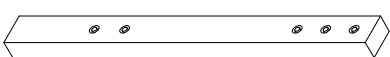
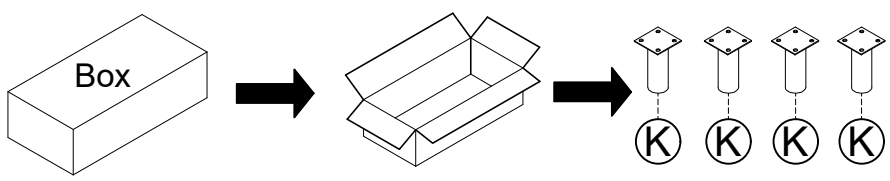



# Part List

BOX 1/2: **WF323636**

<p>1</p>  <p>Head board -1pc</p>	<p>9</p>  <p>Slates-6pcs</p>	<p>10</p>  <p>Slates-4pcs</p>
<p>2</p>  <p>Wing board Right-1pc</p>	<p>3</p>  <p>Wing board Left-1pc</p>	







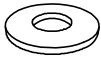


BOX 2/2: **WF323637**

<p>6</p>  <p>Side rail Left - 1pc</p>	<p>7</p>  <p>Side rail Right - 1pc</p>	<p>11</p>  <p>Bed support Slates-1pc</p>
<p>5</p>  <p>Head board below-1pc</p>	<p>8</p>  <p>Footboard-1pc</p>	<p>12</p>  <p>Legs middle-4pcs</p>
<p>4</p>  <p>Head board legs -3pcs</p>	<p>K</p>  <p>Box → Legs-4pcs</p>	
<p>Hardware</p> 		

# HARDWARE

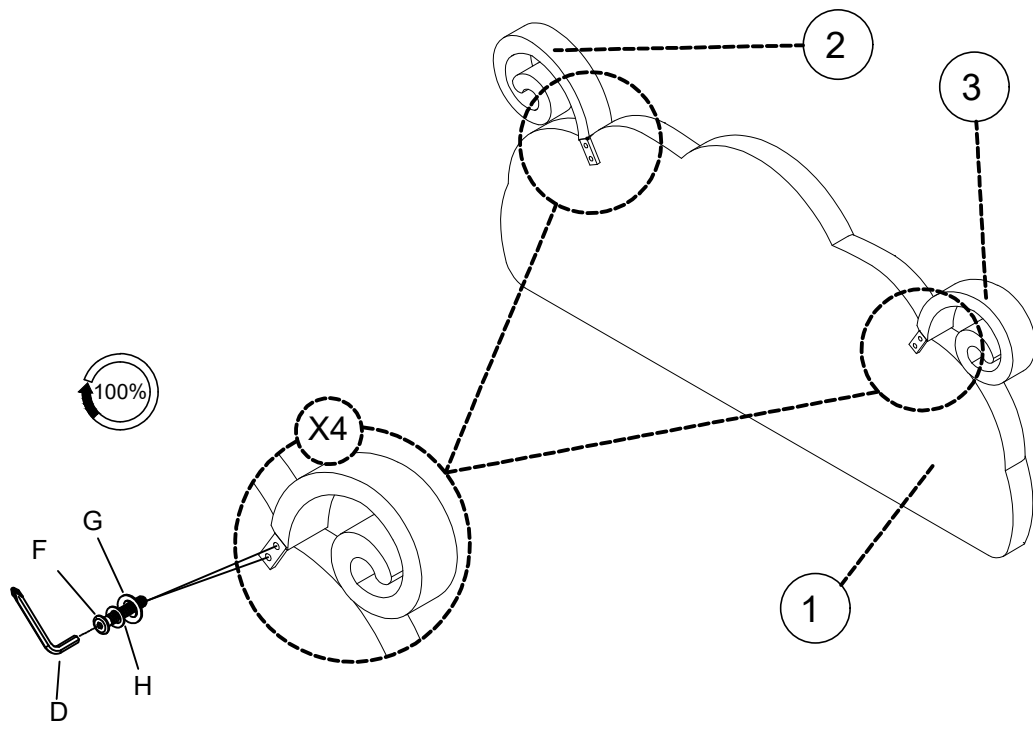
Check that you've received  
all hardware listed below.

## Hardware List

No.	OUTLOOK	DESC	QTY
(A)		Bolts 5/16"x30 mm	8
(B)		Plain washer Ø5/16"x19x1.5 mm	27
(C)		Spring washer Ø5/16"x12 mm	27
(D)		Allen key 80x30x4 mm	1
(E)		Bolts 5/16"x45 mm	19
(F)		Bolts 1/4"x30 mm	12
(G)		Plain washer Ø1/4"x19x1.5 mm	16
(H)		Spring washer Ø1/4"x10 mm	12
(I)		Screws Ø4x30 mm	24

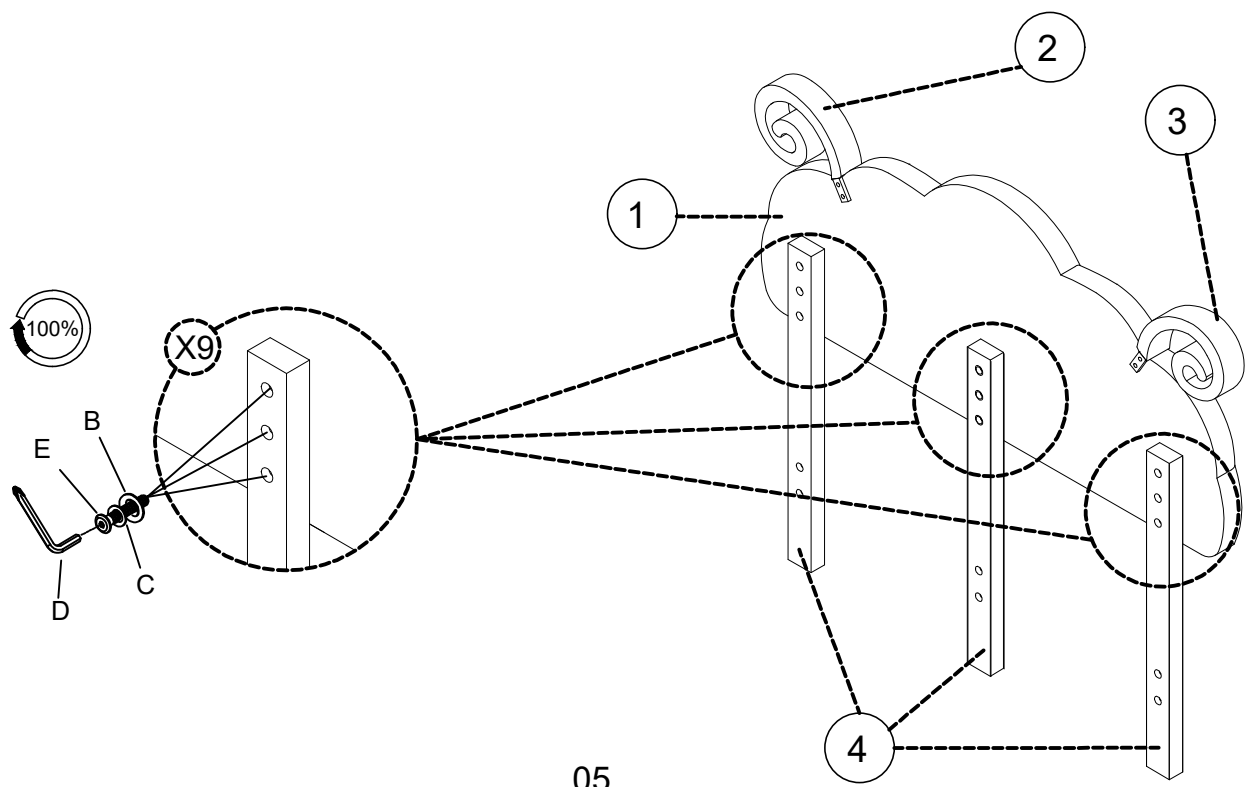
# STEP 1

F x 4	G x 4	H x 4	D x 1
-------	-------	-------	-------


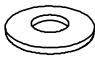




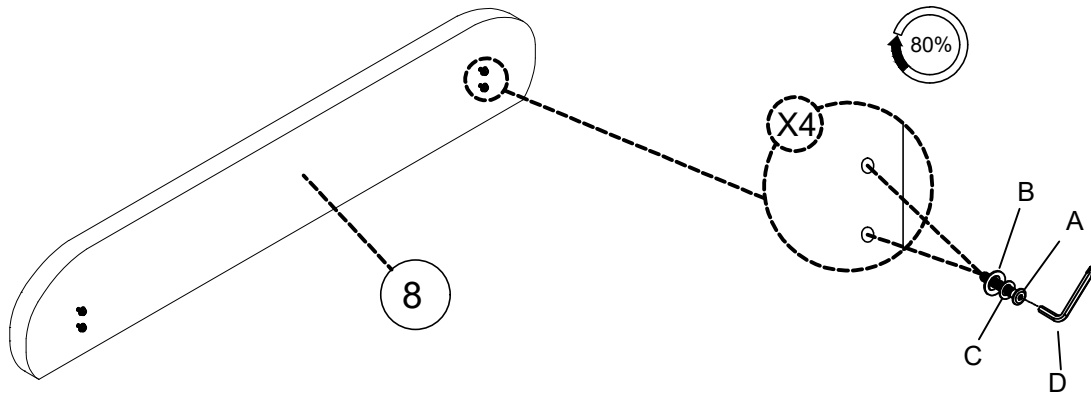
# STEP 2

E x 9	B x 9	C x 9	D x 1
-------	-------	-------	-------


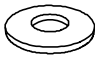




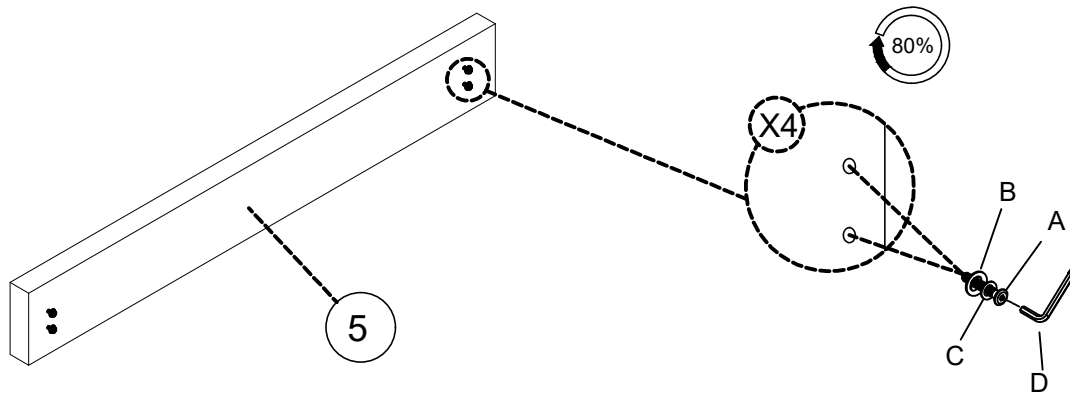
# STEP 3

A x 4	B x 4	C x 4	D x 1
			

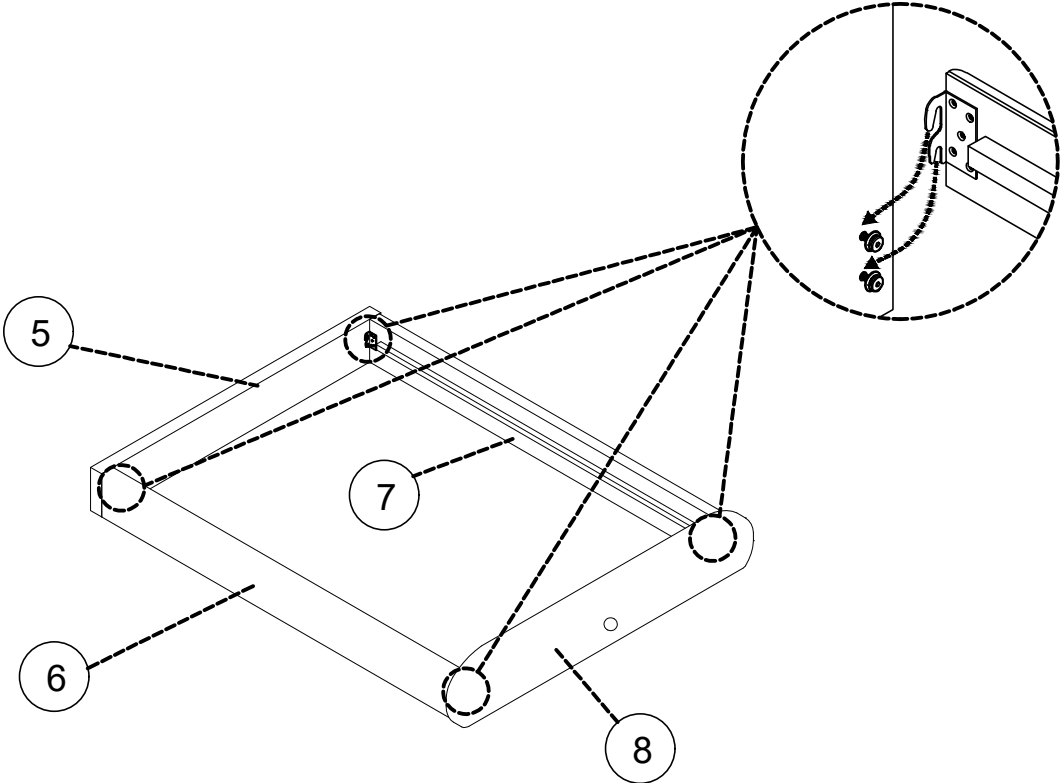


# STEP 4

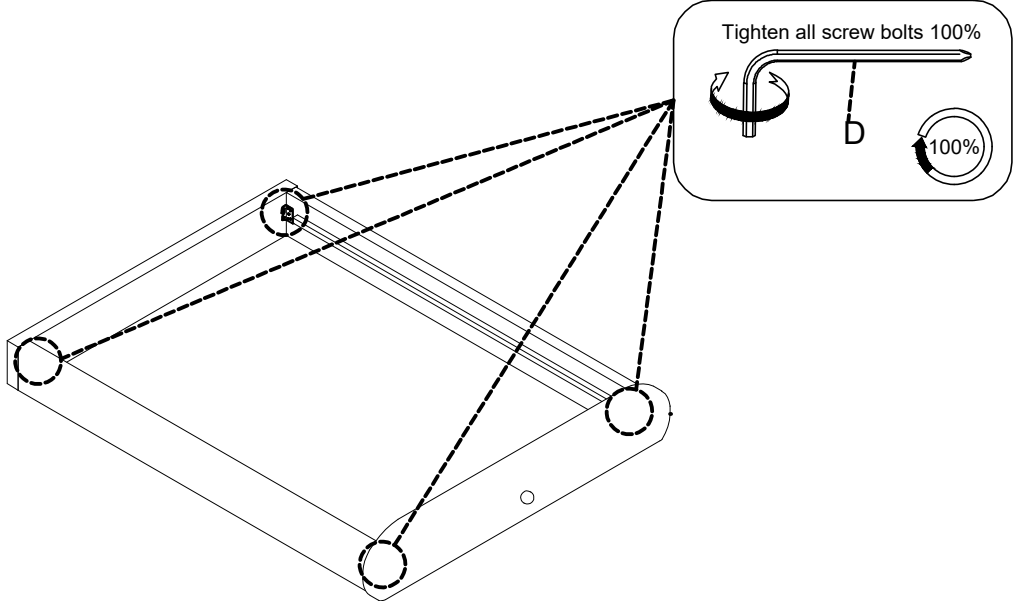
A x 4	B x 4	C x 4	D x 1
			




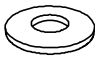


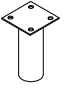
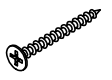
# STEP 5

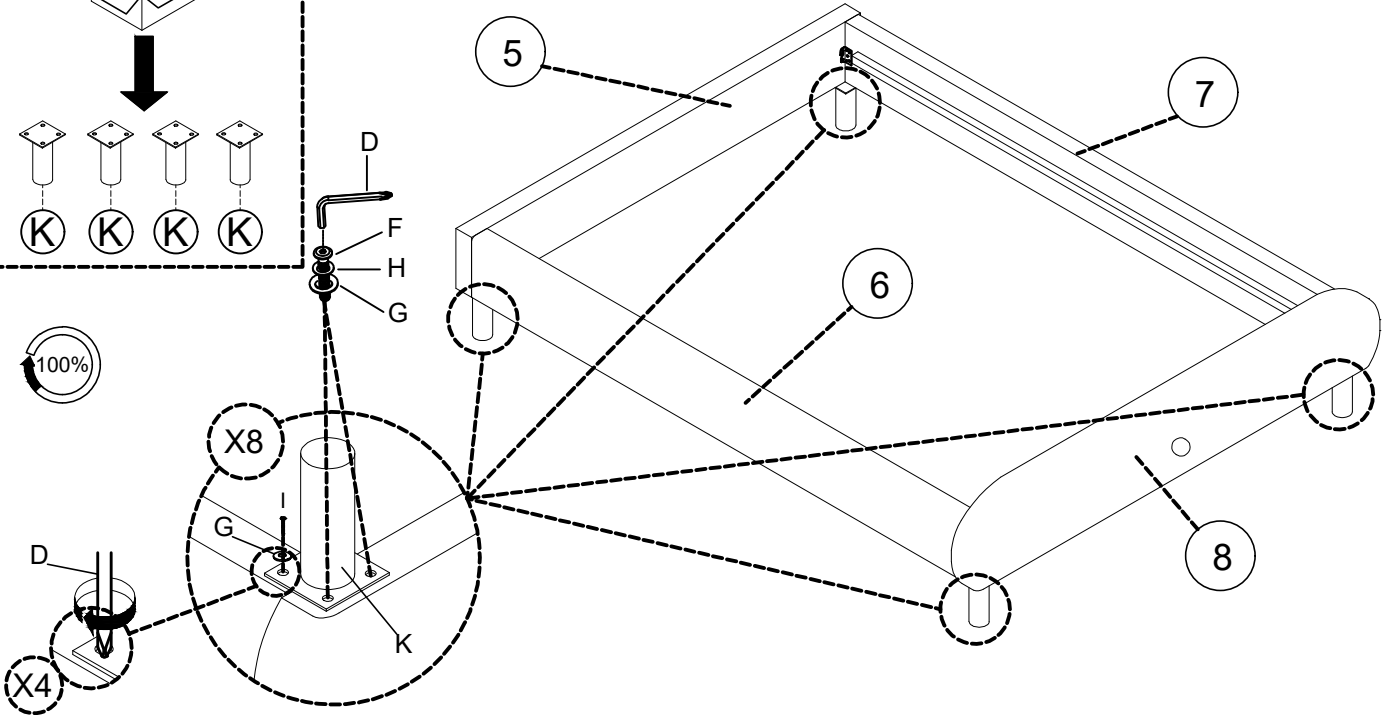
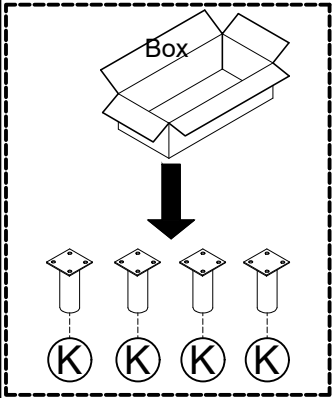


# STEP 6







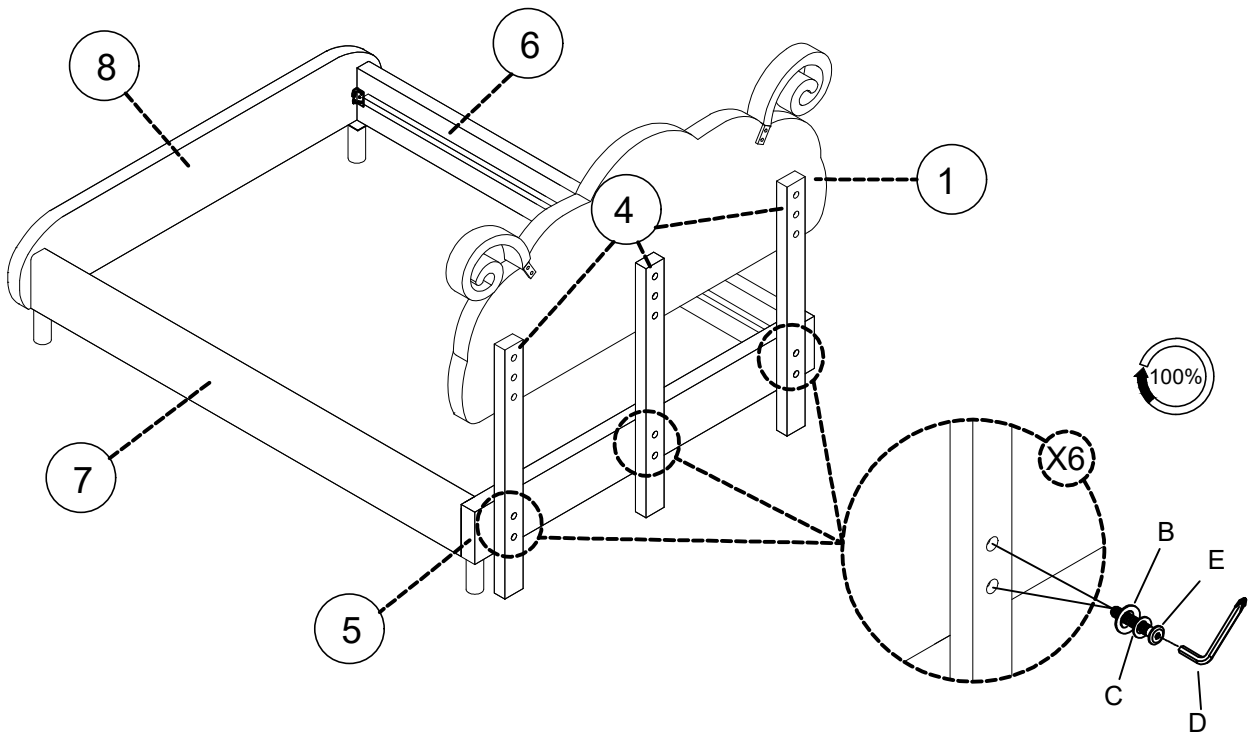
# STEP 7

F x 8 	G x 12 	H x 8 	D x 1 	K x 4 	I x 4 
--	---	--	---	--	--



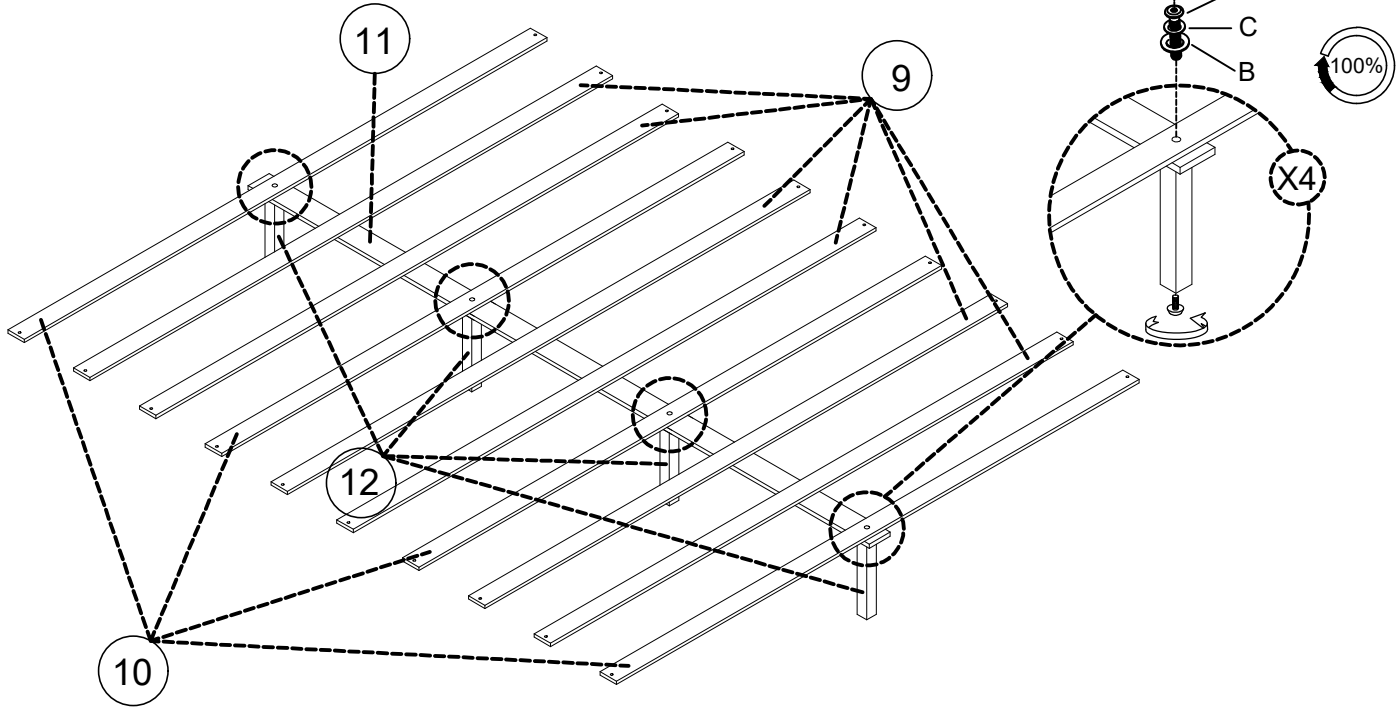
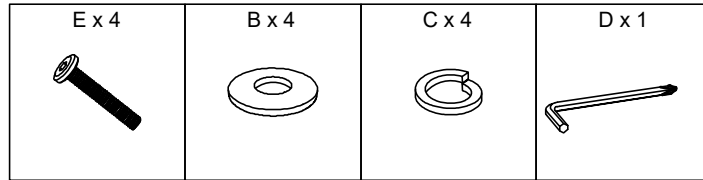
# STEP 8

E x 6 	B x 6 	C x 6 	D x 1 
--	--	--	---

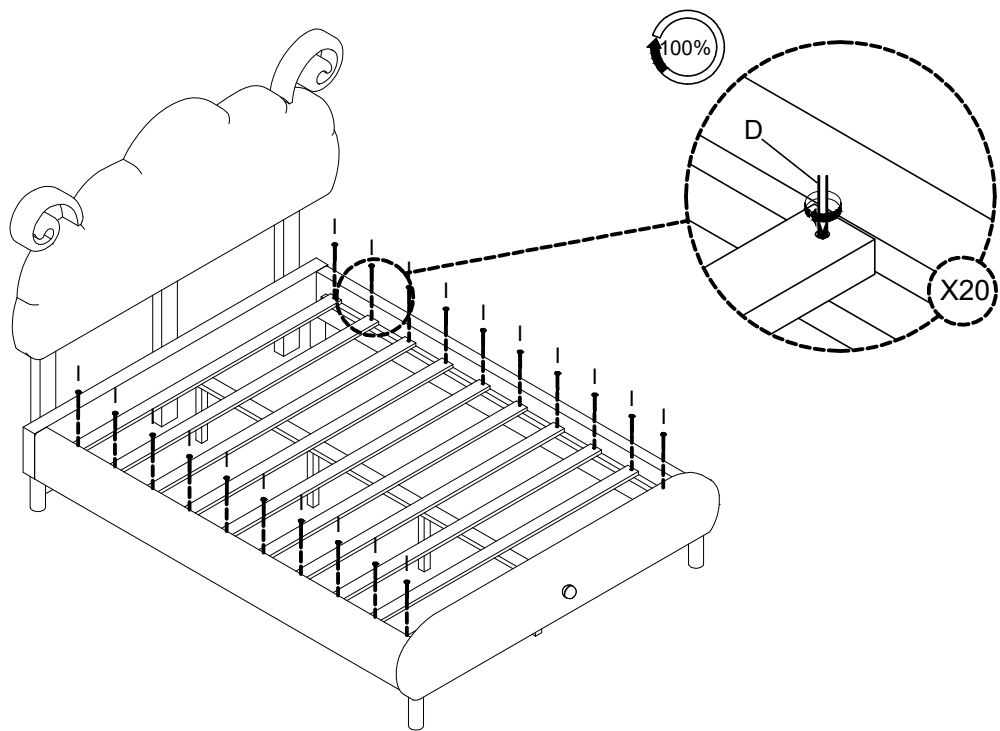
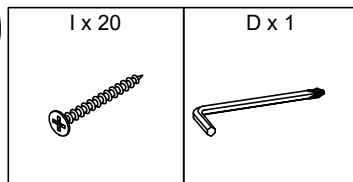




# STEP 9



# STEP 10



# COMPLETE

