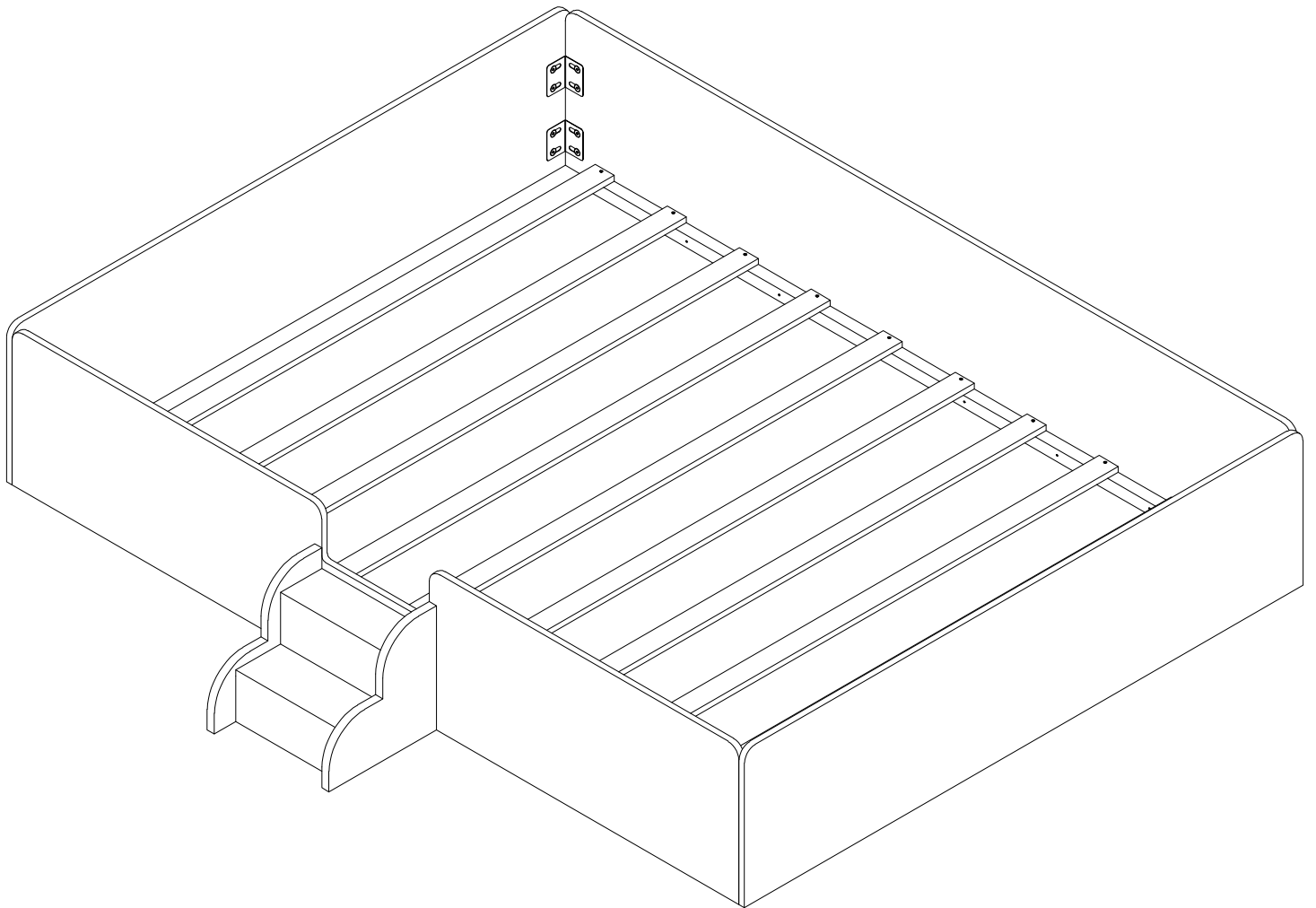
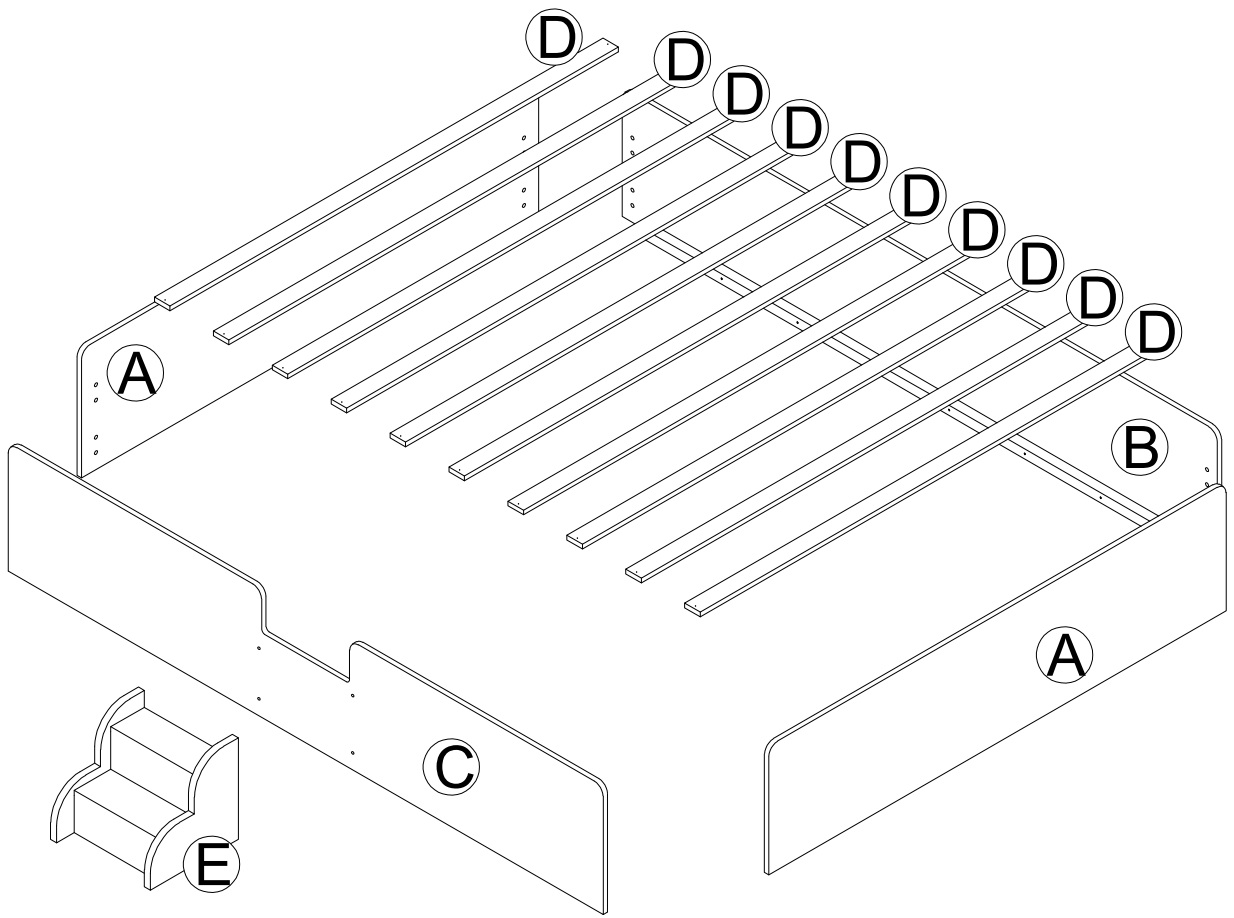


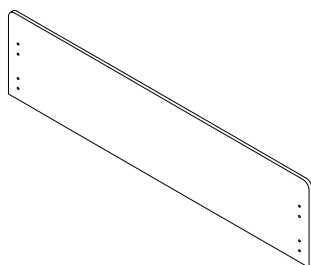
# ASSEMBLY INSTRUCTION (WF324637/WF324645)





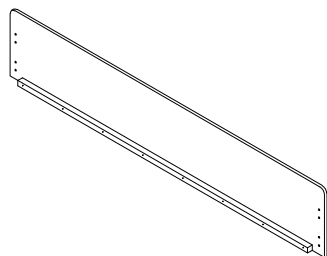
# Part List (WF324637)

**A**



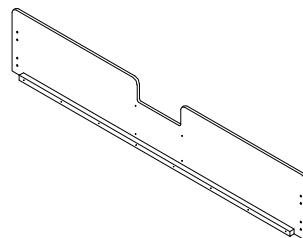
HEADBOARD AND FOOTBOARD - 2pcs

**B**



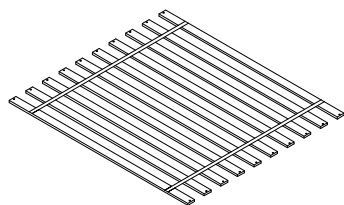
SIDE PANEL INSIDE - 1pc

**C**



SIDE PANEL OUTSIDE - 1pc

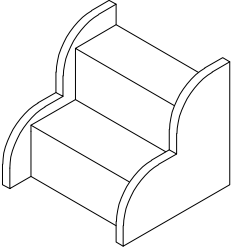
**D**



SLAT - 1SET/10pcs

# Part List (WF324645)

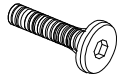
**E**



STAIR - 1pc

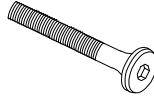
# Hardware List (WF324637)

1



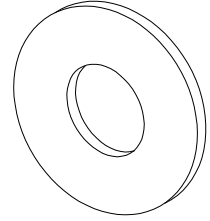
JCBB M8 x 16mm (32 pcs)

2



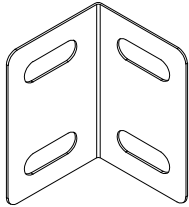
JCBC M6 x 35mm (4 pcs)

3



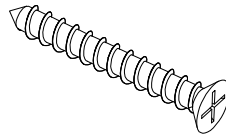
M6 Flat Washer (4 pcs)

4



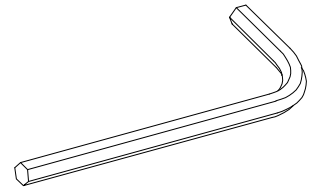
BED BRACKET (8pcs)

5



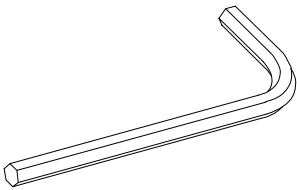
CSK SCREW M4 x 30mm (20pcs)

6

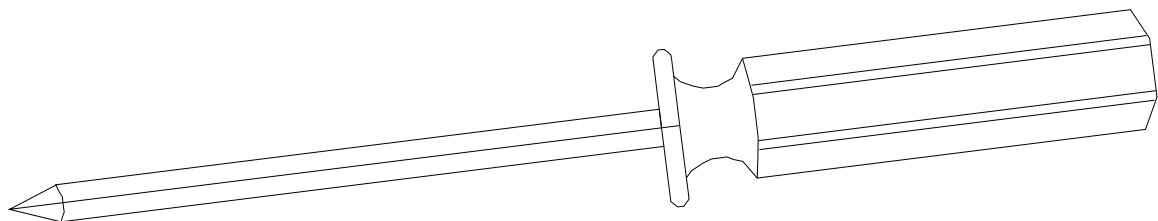


Allen Key M4 (1pc)

7



Allen Key M5 (1pc)

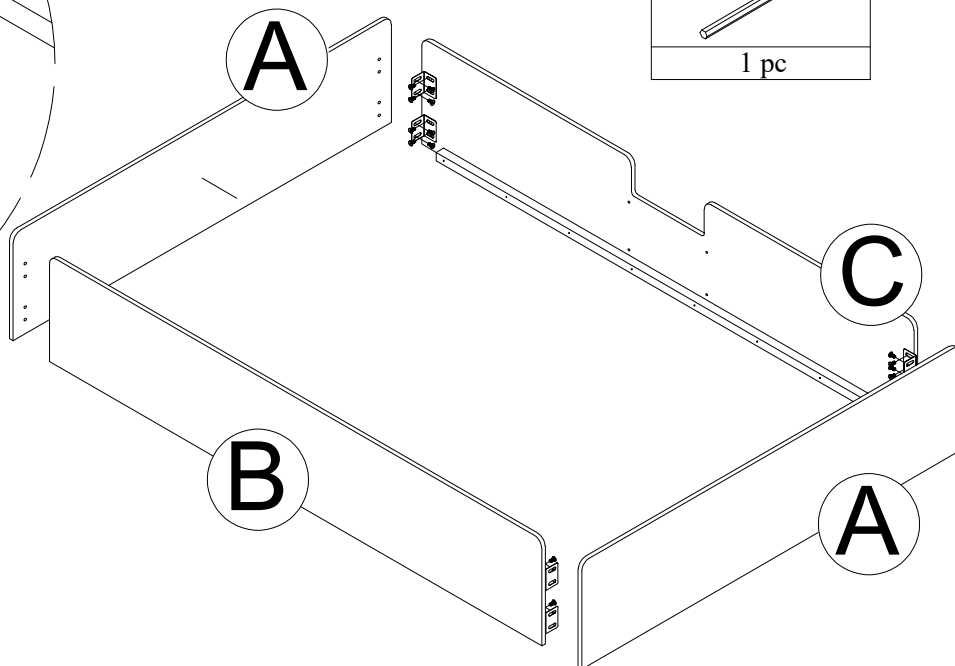
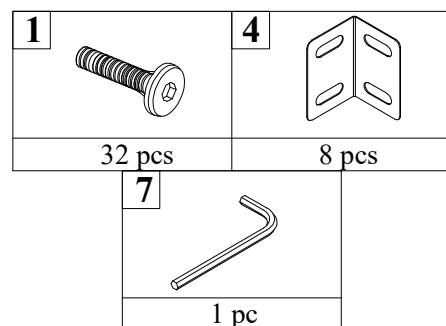
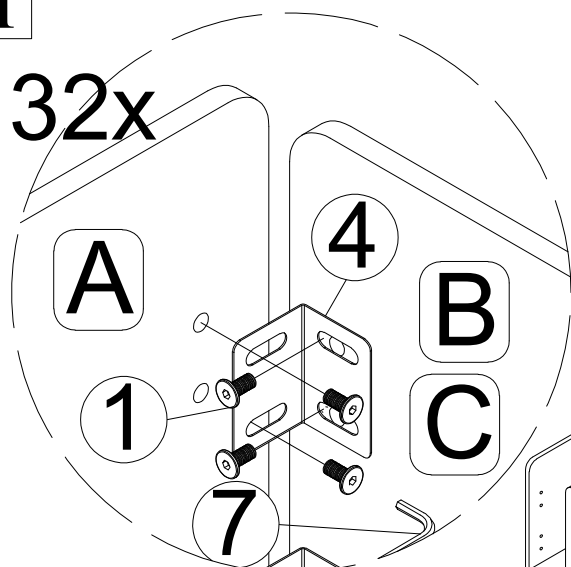


Assembly Tools  
Required (Not Included)

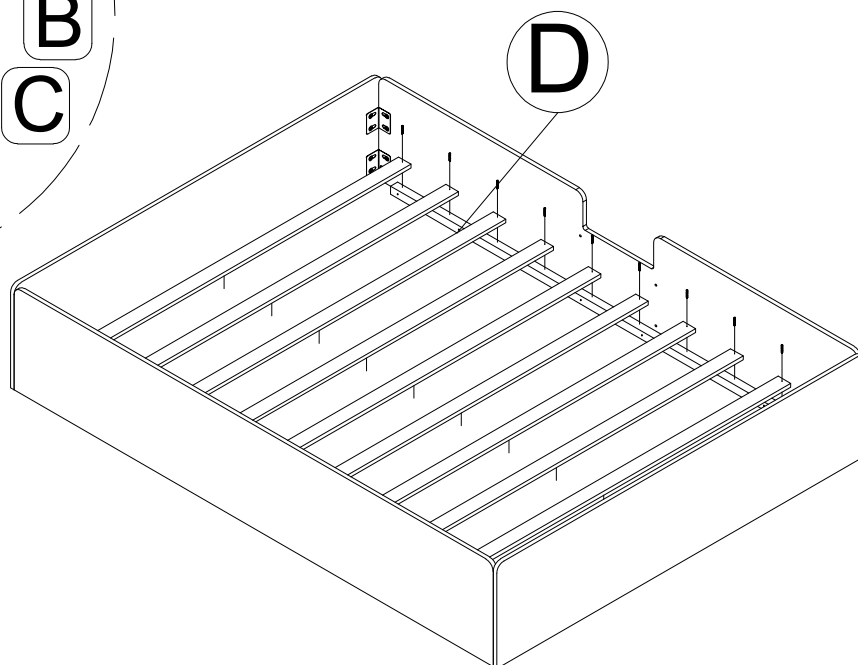
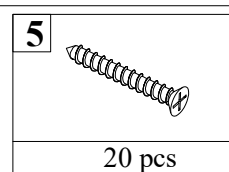
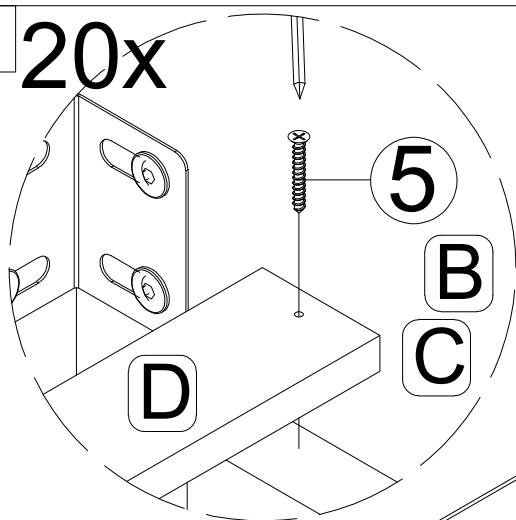
# Assembly Step

1

32x

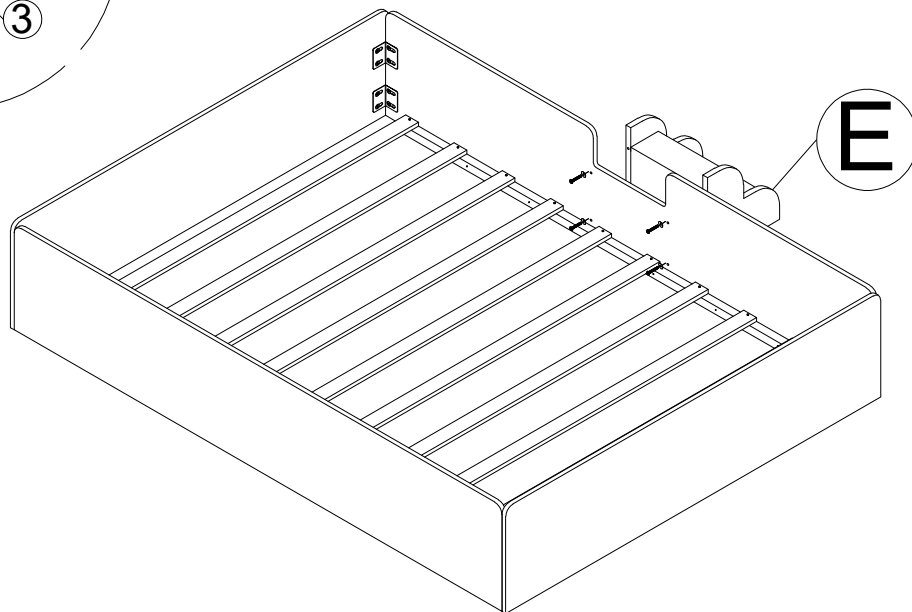
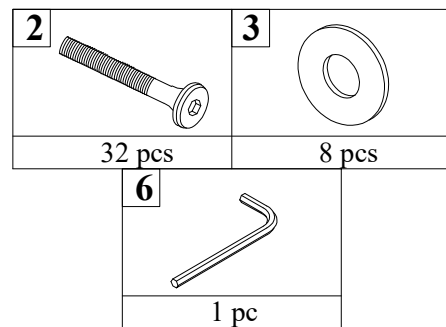
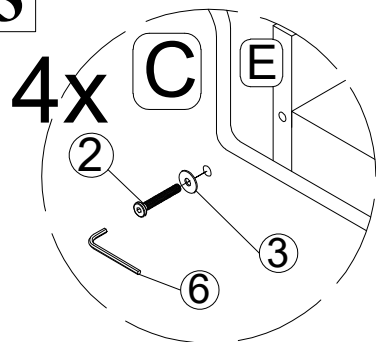


2 20x



# Assembly Step

3



## FULLY COMPLETED ASSEMBLY

