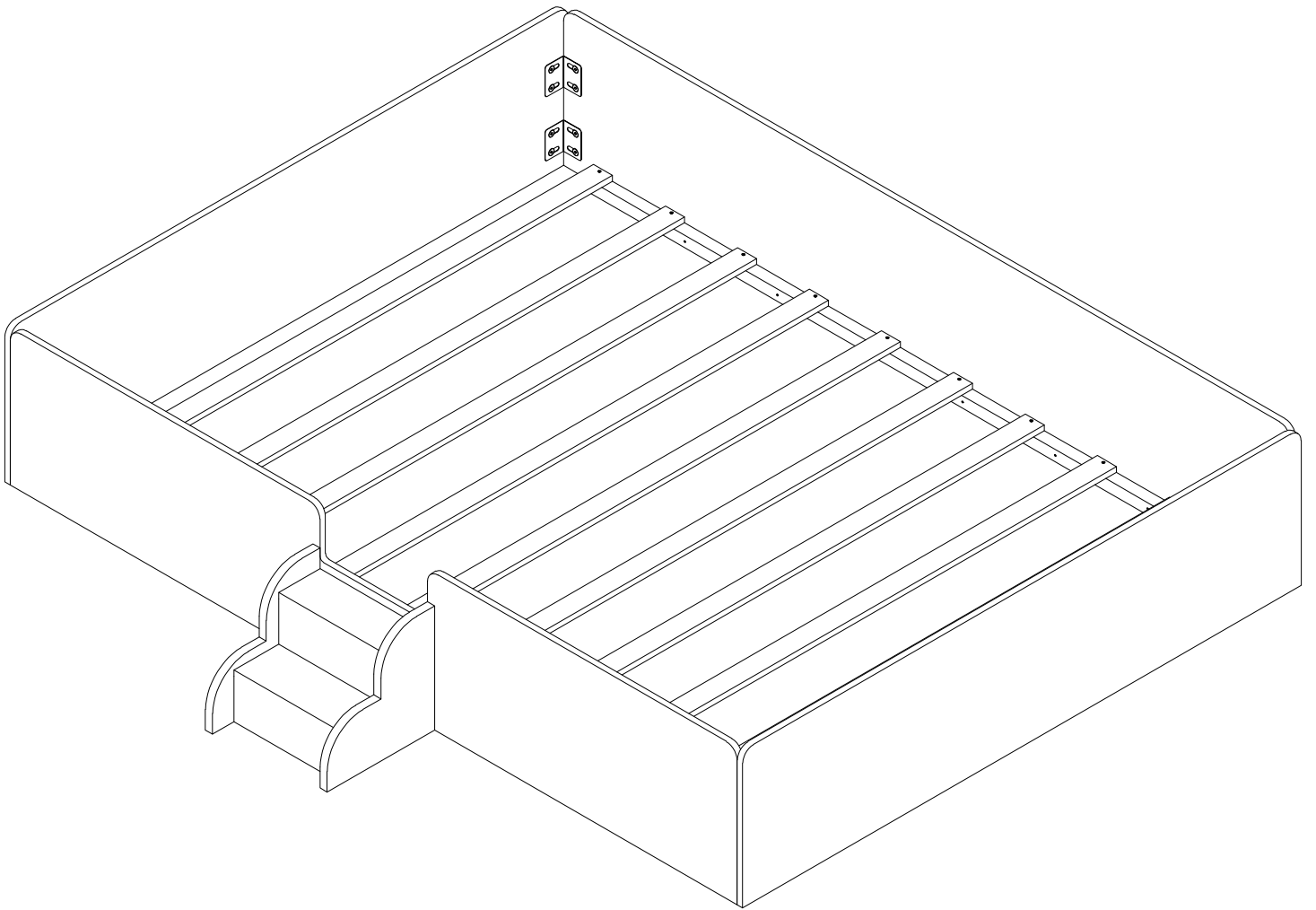
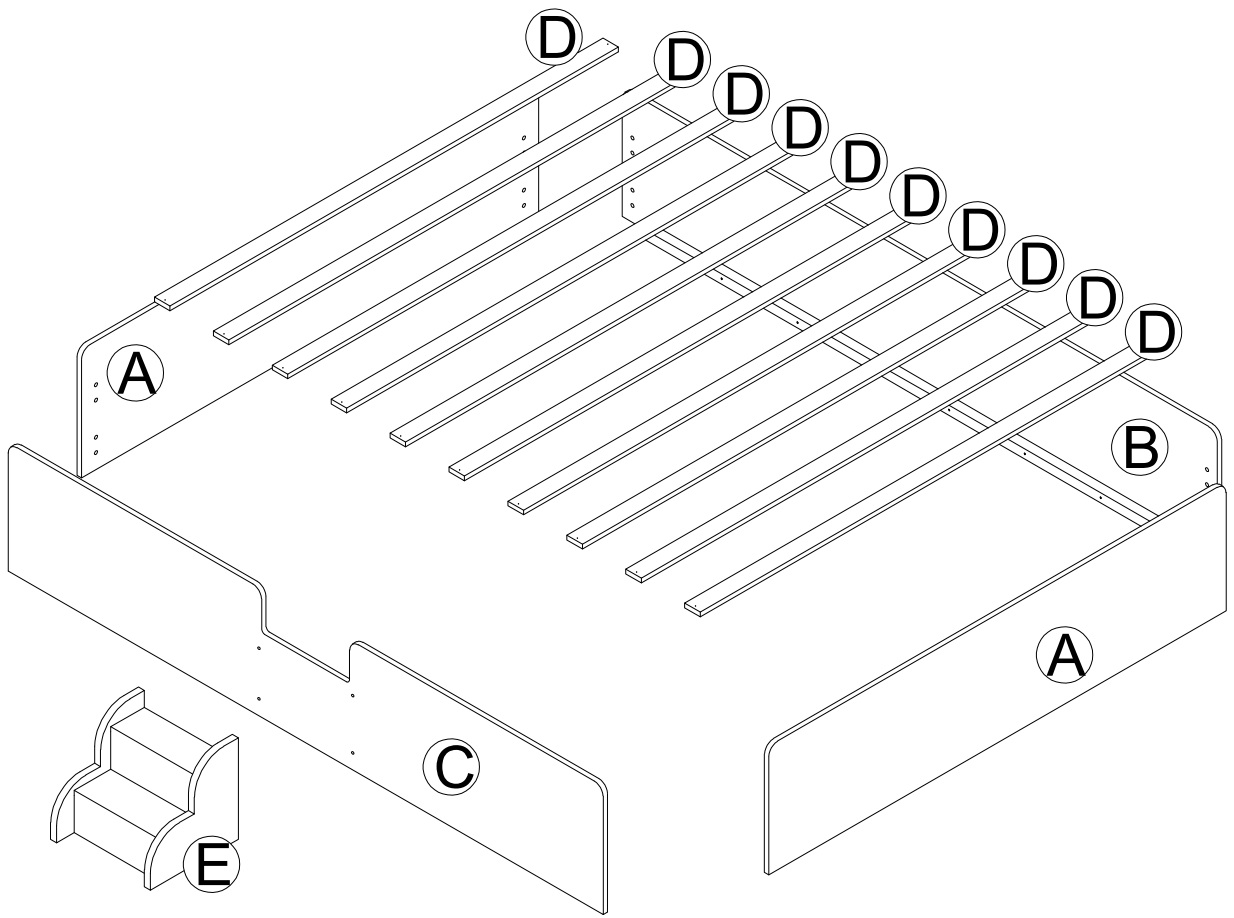


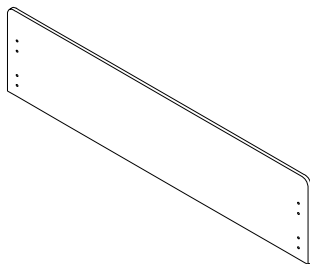
ASSEMBLY INSTRUCTION (WF324625/WF324627)





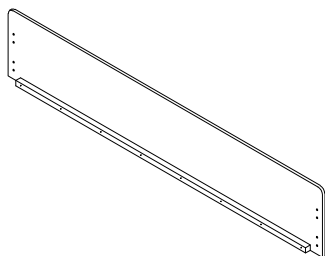
Part List (WF324625)

A



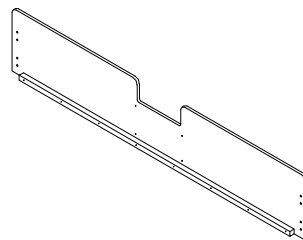
HEADBOARD AND FOOTBOARD - 2pcs

B



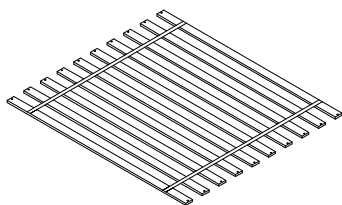
SIDE PANEL INSIDE - 1pc

C



SIDE PANEL OUTSIDE - 1pc

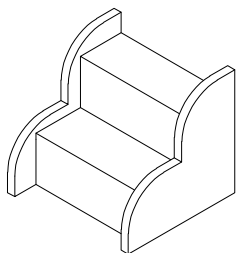
D



SLAT - 1SET/10pcs

Part List (WF324627)

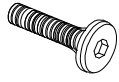
E



STAIR - 1pc

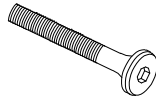
Hardware List (WF324625)

1



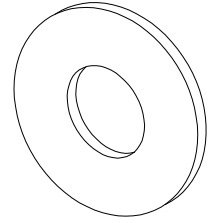
JCBB M8 x 16mm (32 pcs)

2



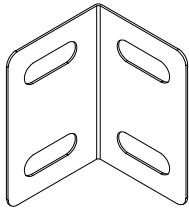
JCBC M6 x 35mm (4 pcs)

3



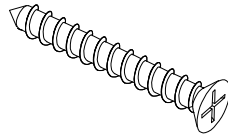
M6 Flat Washer (4 pcs)

4



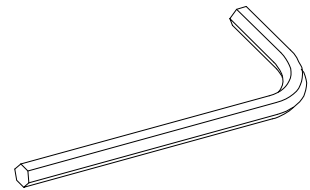
BED BRACKET (8pcs)

5



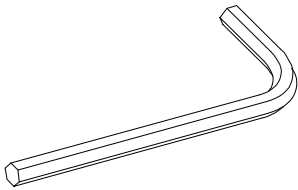
CSK SCREW M4 x 30mm (20pcs)

6

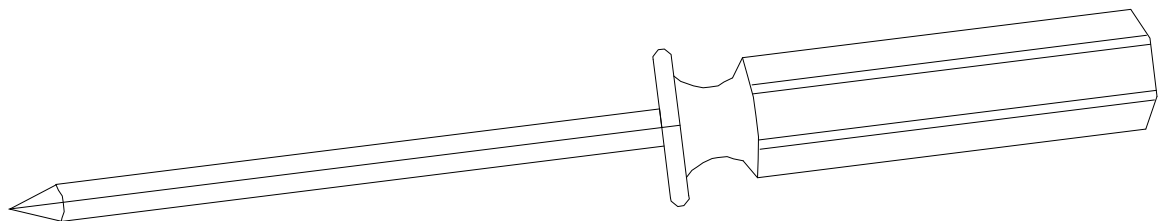


Allen Key M4 (1pc)

7



Allen Key M5 (1pc)

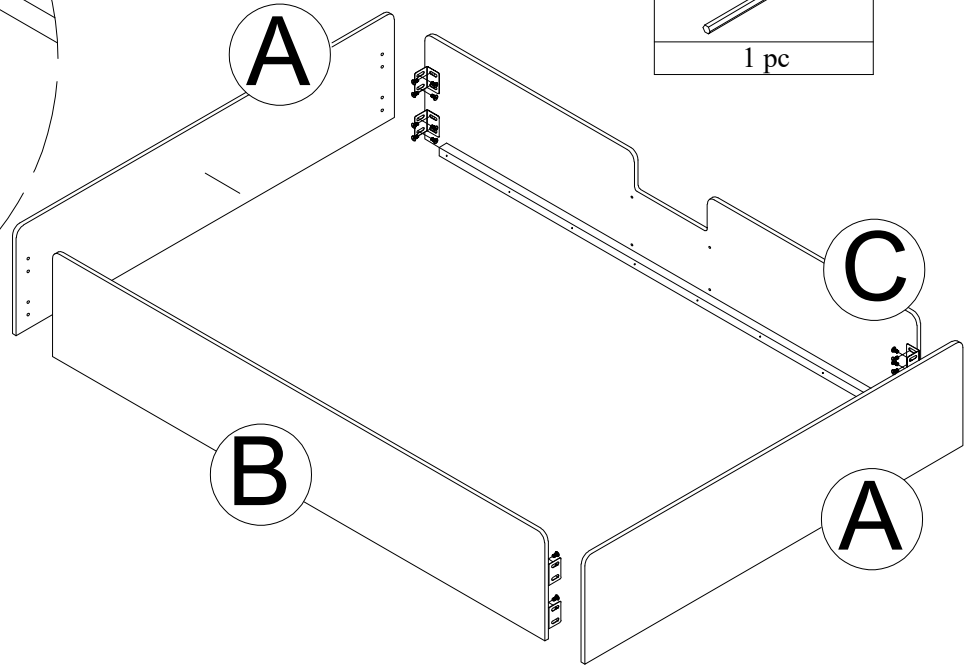
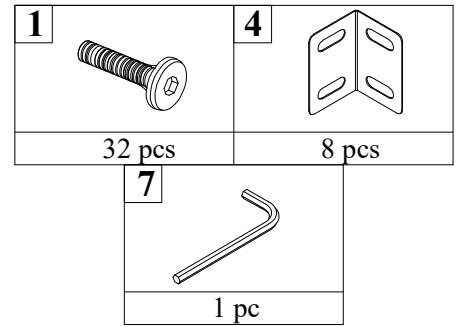
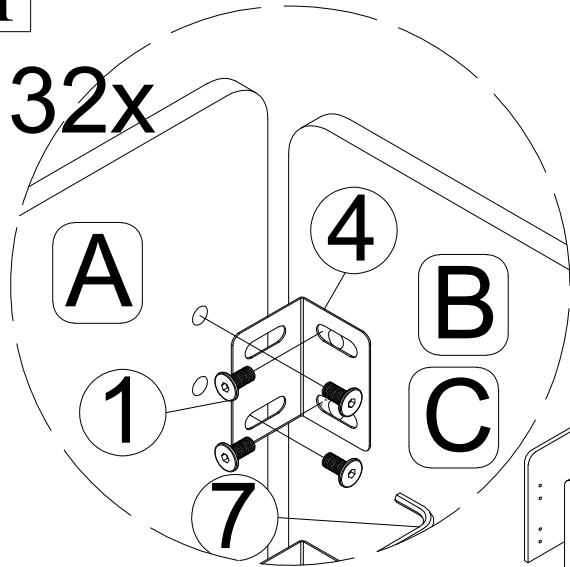


Assembly Tools
Required (Not Included)

Assembly Step

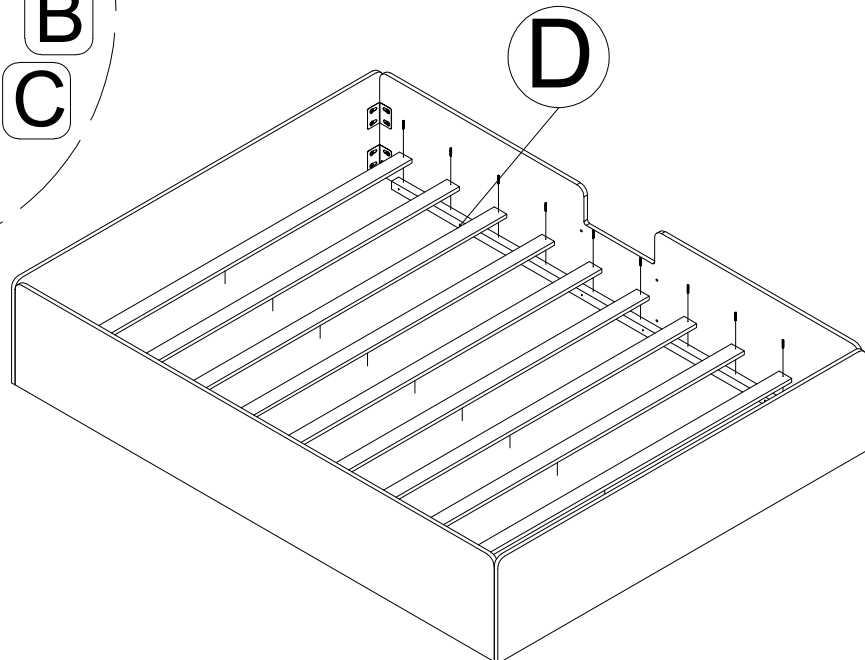
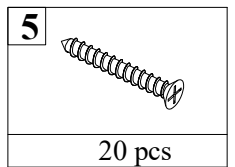
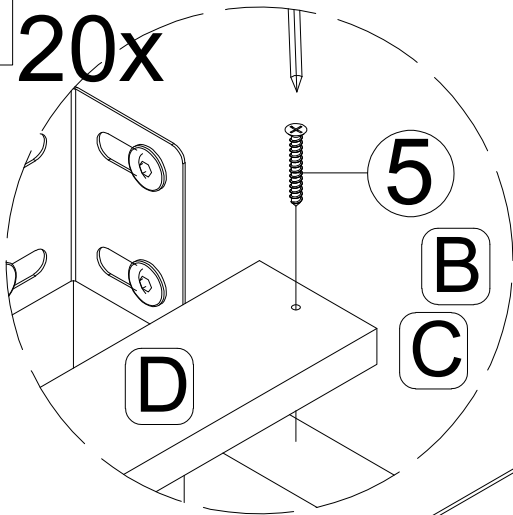
1

32x



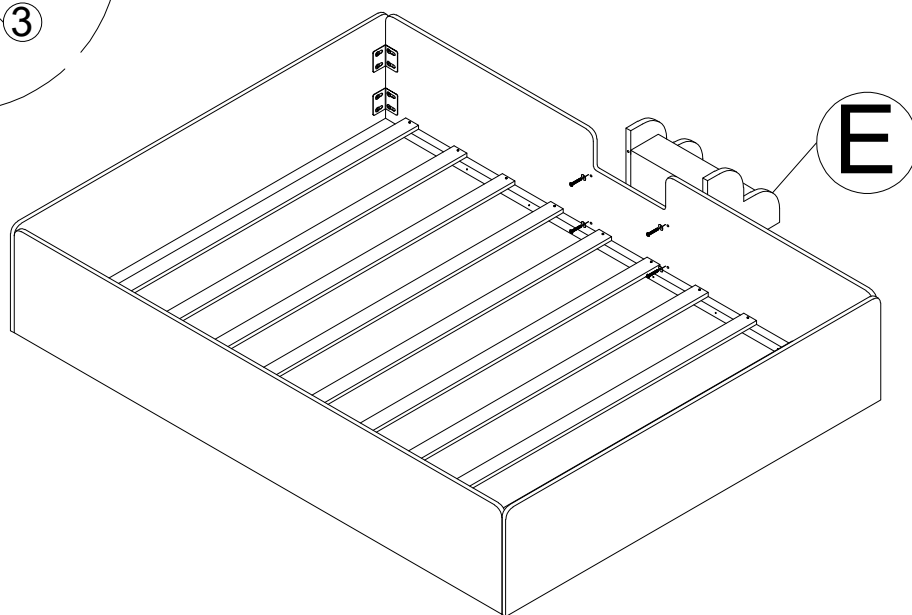
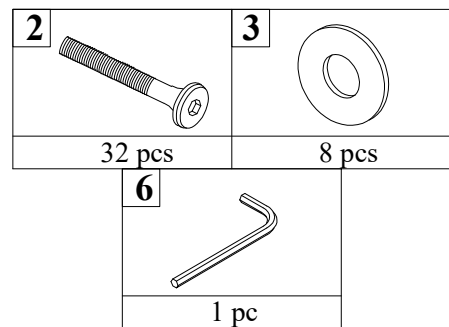
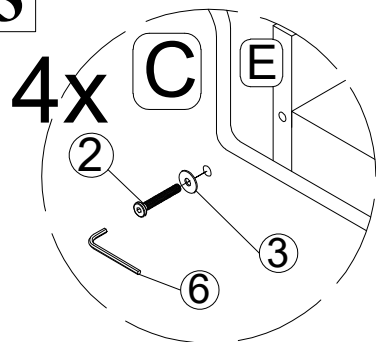
2

20x



Assembly Step

3



FULLY COMPLETED ASSEMBLY

