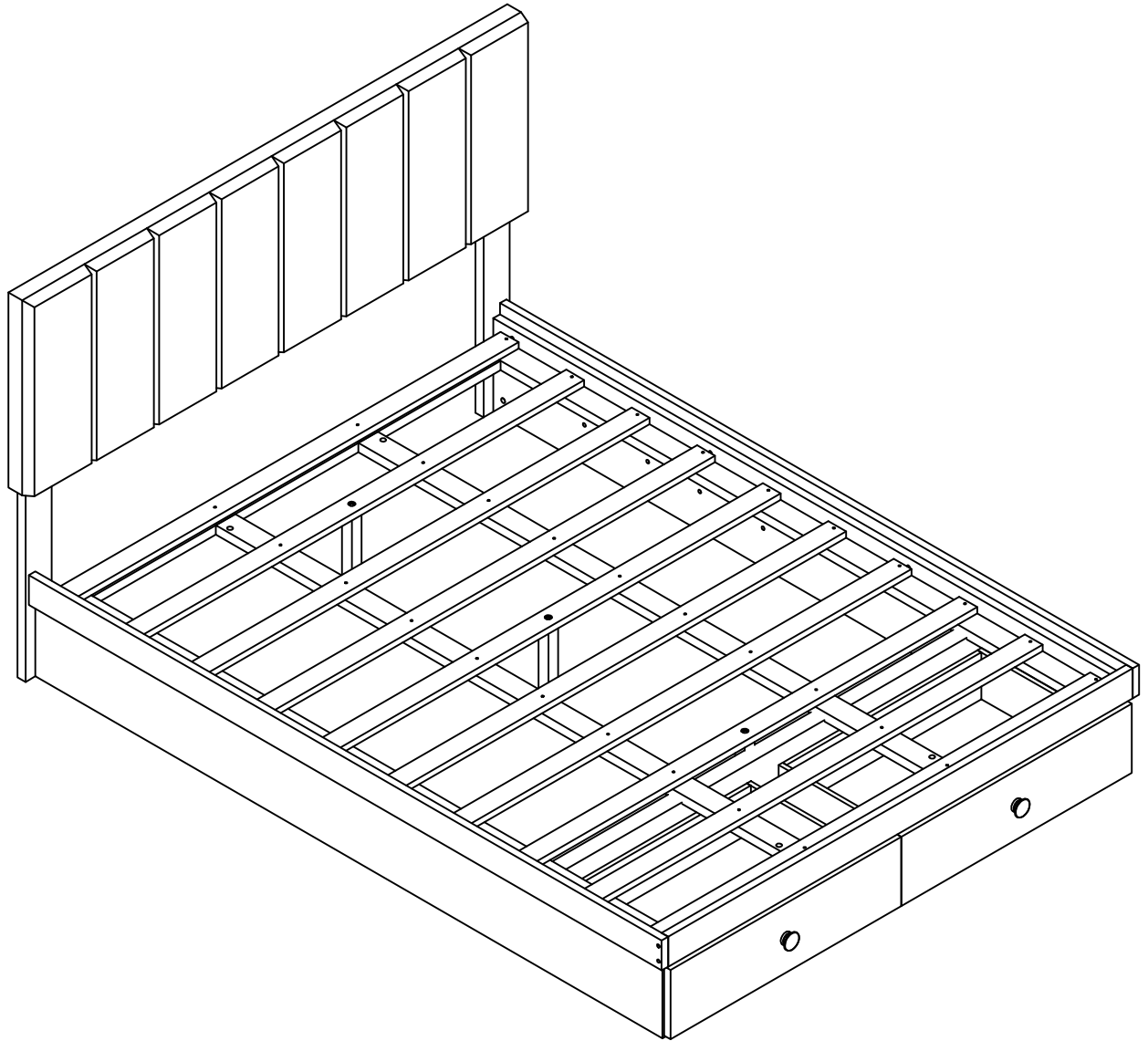
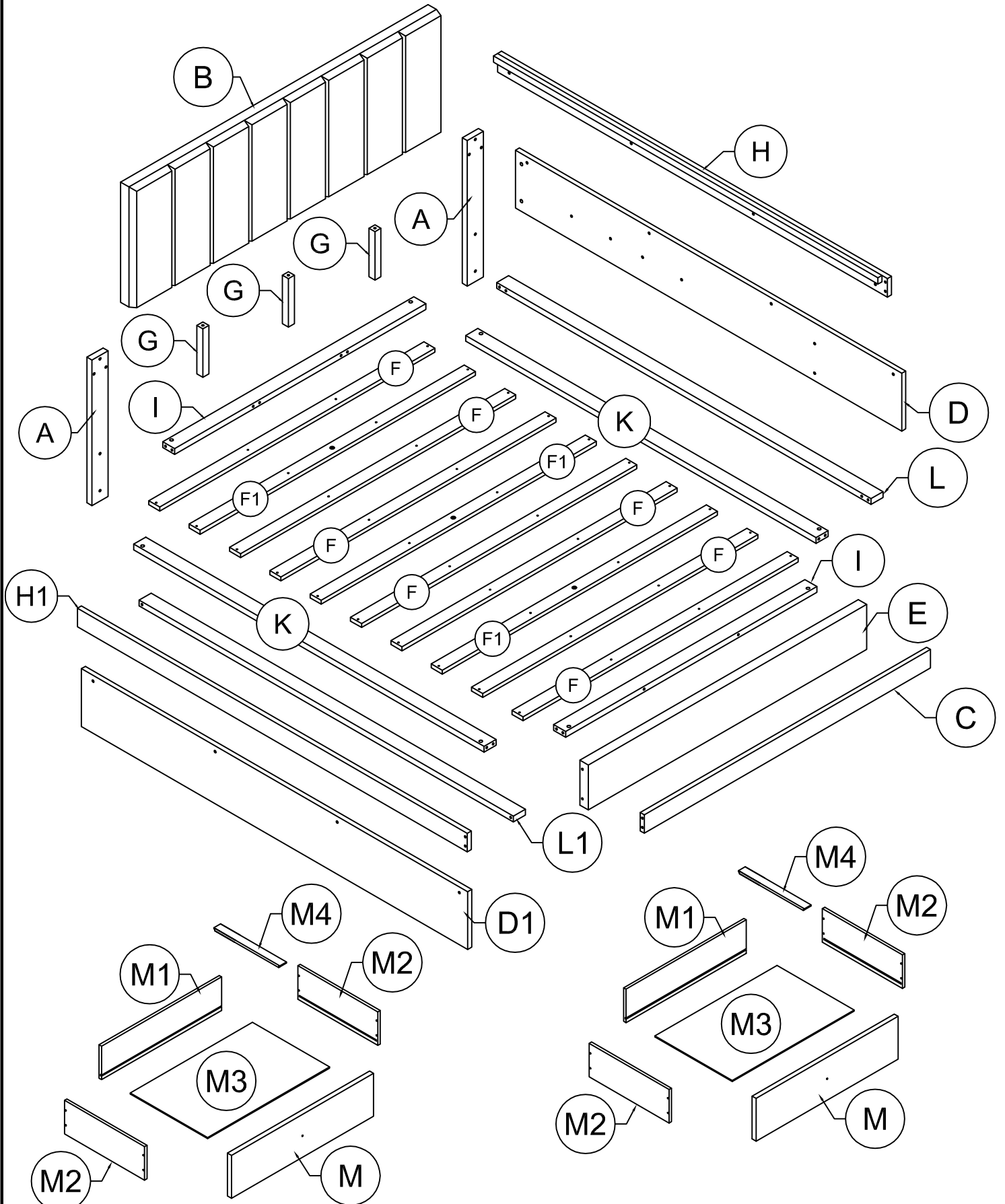


# ASSEMBLY INSTRUCTION

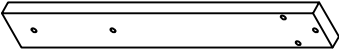
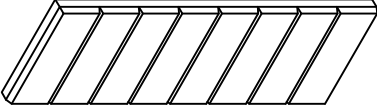
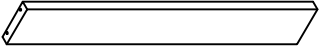
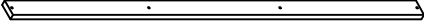

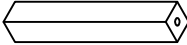
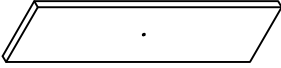


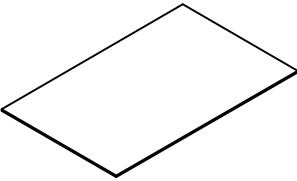
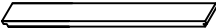
SKU CODE: (WF318306/WF318307)



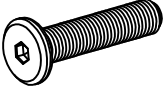

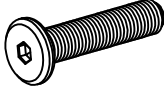
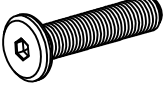
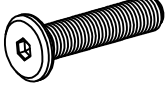
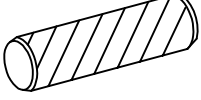
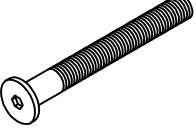


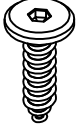
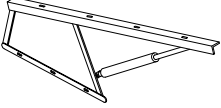
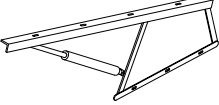

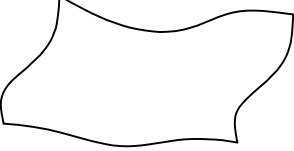


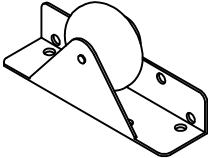
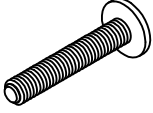
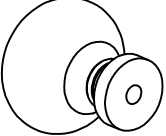
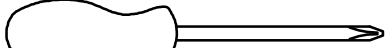
# ASSEMBLY INSTRUCTION



# Part List (WF318306)

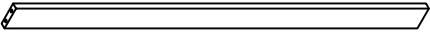
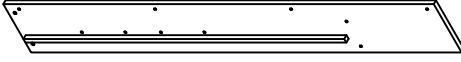
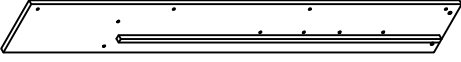
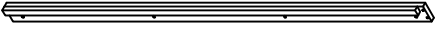

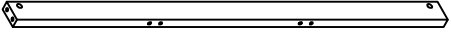
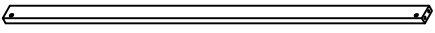
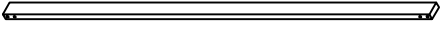
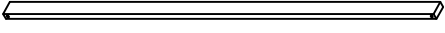
|   |   |   |
|---|---|---|
| <p><b>A</b></p>  <p>Leg (HB Font) - 2pcs</p>             | <p><b>B</b></p>  <p>HeadBoard - 1pcs</p>               | <p><b>E</b></p>  <p>Support Side Rails - 1pcs</p>    |
| <p><b>F</b></p>  <p>Slats - 7pcs</p>                      | <p><b>F1</b></p>  <p>Slats - 3pcs</p>                 | <p><b>G</b></p>  <p>Support Legs - 3pcs</p>          |
| <p><b>M</b></p>  <p>Drawer - Front Panels - 2pcs</p>     | <p><b>M1</b></p>  <p>Drawer - Back Panels - 2pcs</p>   | <p><b>M2</b></p>  <p>Drawer - Side Panels - 4pcs</p> |
| <p><b>M3</b></p>  <p>Drawer - Bottom Panels - 2pcs</p> | <p><b>M4</b></p>  <p>Drawer - Support Bar - 2pcs</p> |   |

# Hardware List (WF318306)

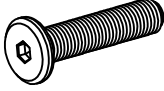
|  |   |  |
|--|---|--|
| <p>1</p>  <p>1/4" x 40mm<br/>Hex-Head bolts 14pcs</p> | <p>2</p>  <p>1/4" x 12 x 15mm<br/>Horizontal -Hole bolts 16pcs</p> | <p>3</p>  <p>1/4" x 60mm<br/>Hex-Head bolts 8pcs</p>  |
| <p>4</p>  <p>1/4" x 20mm<br/>Hex-Head bolts 8pcs</p>  | <p>5</p>  <p>1/4" x 30mm<br/>Hex-Head bolts 3pcs</p>               | <p>6</p>  <p>Ø8 x 30 mm<br/>Wood dowel 8pcs</p>       |
| <p>7</p>  <p>1/4" x 100mm<br/>Hex-Head bolts 8pcs</p> | <p>8</p>  <p>M4 x 30 mm<br/>Wood Screws 57pcs</p>                  | <p>9</p>  <p>Fabric 1pc</p>                           |
| <p>10</p>  <p>1/4" x 20 mm<br/>Wood Screws 8pcs</p> | <p>11</p>  <p>Piston Left 1 pcs</p>                              | <p>12</p>  <p>Piston Right 1 pcs</p>                |
| <p>13</p>  <p>Allen Key 1pcs</p>                    | <p>14</p>  <p>Carpet Fabric 1pc</p>                              | <p>15</p>  <p>Steel Bracket<br/>2pcs</p>            |
| <p>16</p>  <p>M4 x 15 mm<br/>Wood Screws 20pcs</p>  | <p>17</p>  <p>Wheels 8pcs</p>                                    | <p>18</p>  <p>M4 x 45mm<br/>Hex-Head bolts 2pcs</p> |
| <p>19</p>  <p>Handle 2pcs</p>                       |   |  |

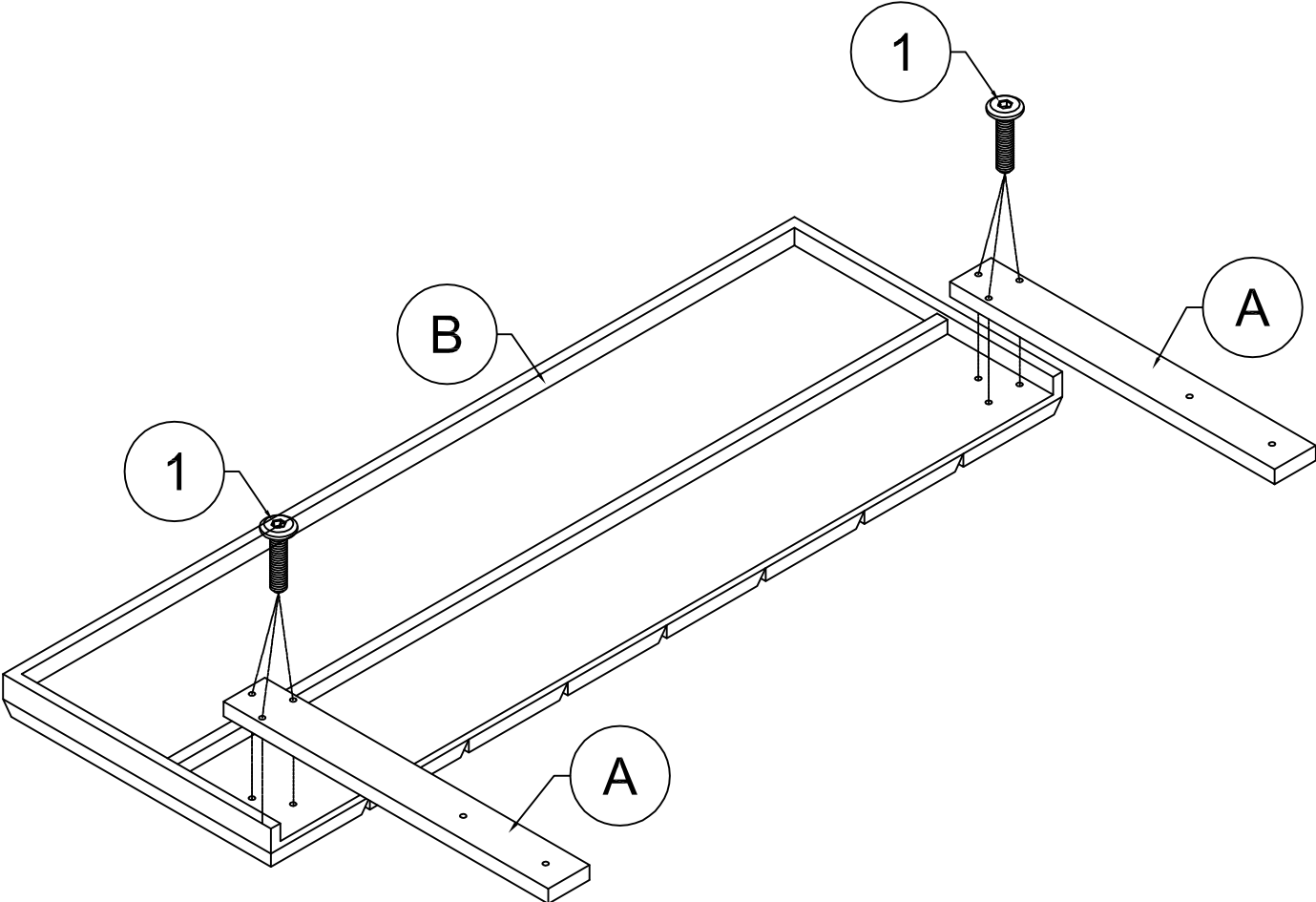
Assembly Tools Required (Not Included)

# Part List (WF318307)

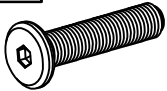
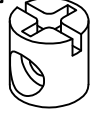
|   |   |  |
|---|---|--|
| <p><b>C</b></p>  <p>FootBoard - 1pcs</p>      | <p><b>D</b></p>  <p>Side Rails - 1pcs</p>       | <p><b>D1</b></p>  <p>Side Rails - 1pcs</p>      |
| <p><b>H</b></p>  <p>Horizontal Bar - 1pcs</p> | <p><b>H1</b></p>  <p>Horizontal Bar - 1pcs</p>  | <p><b>I</b></p>  <p>Frame Slat - 2pcs</p>       |
| <p><b>K</b></p>  <p>Frame Slat - 2pcs</p>     | <p><b>L</b></p>  <p>Frame Slat Right - 1pcs</p> | <p><b>L1</b></p>  <p>Frame Slat Left - 1pcs</p> |

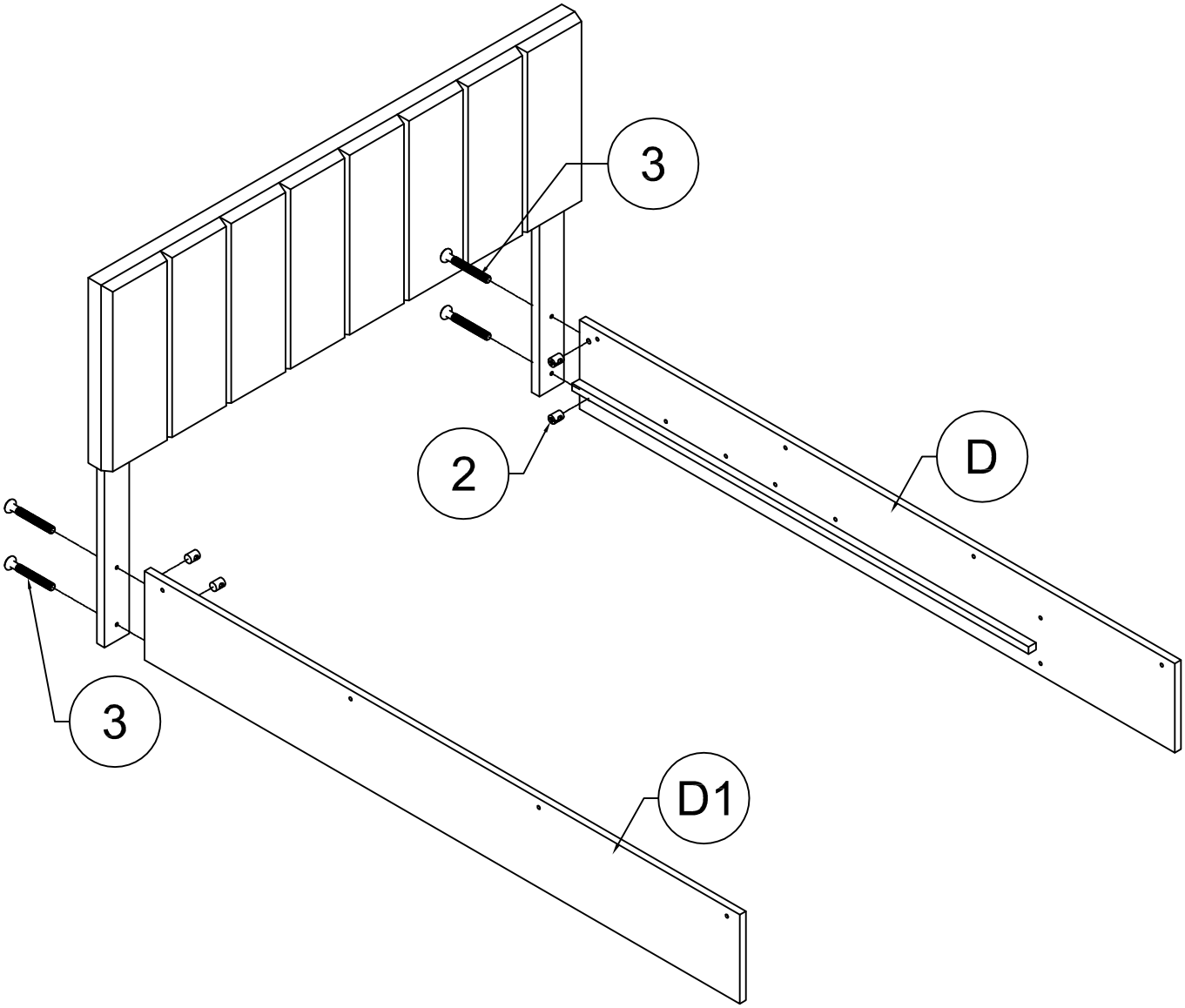
**STEP 1:** Following below illustration:

|   |
|---|
| 1   |
|  |
| 6pcs  |

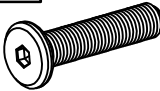


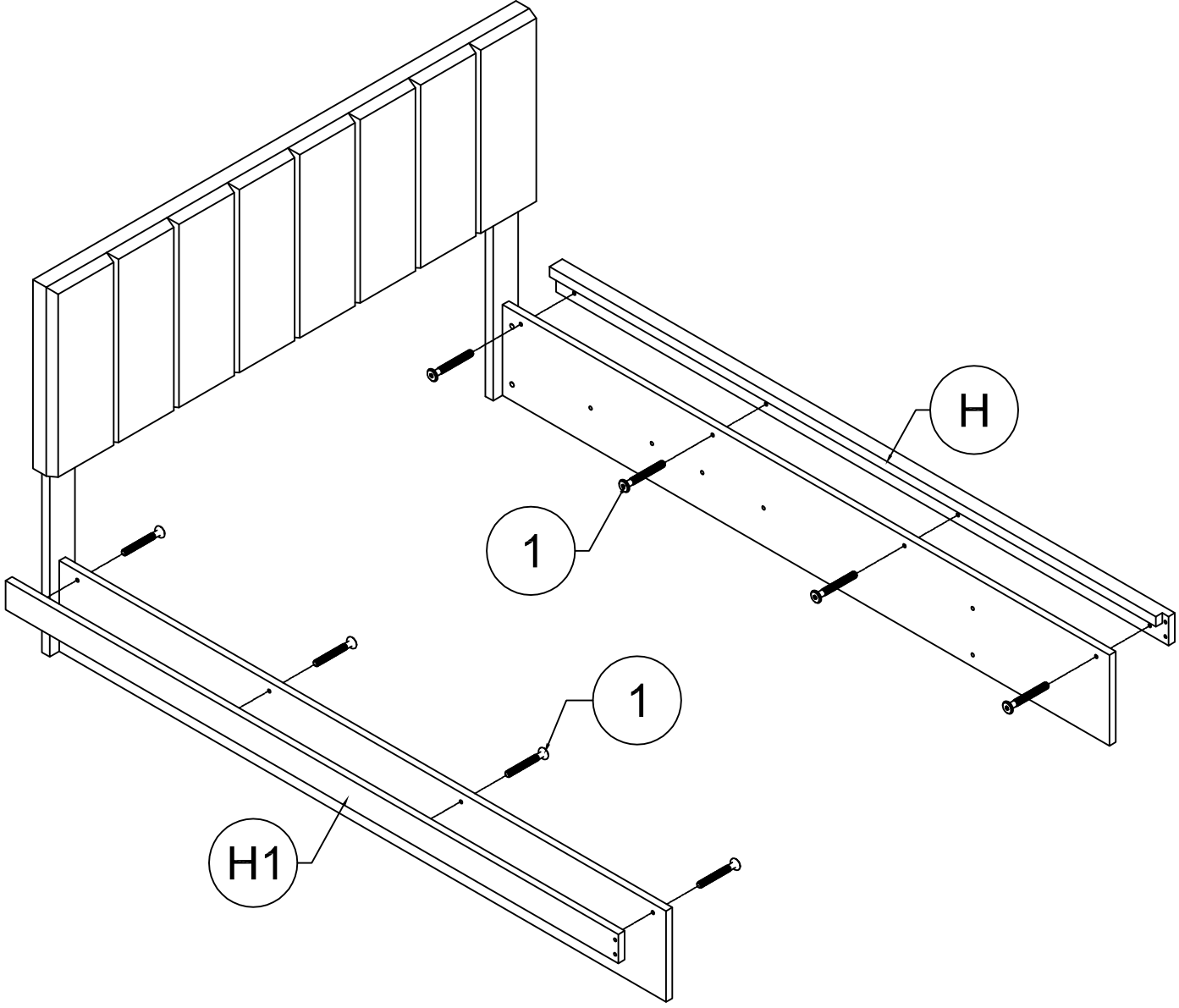
**STEP 2:** Following below illustration:

|  |  |
|--|--|
| 3  | 2  |
|  |  |
| 4pcs   | 4pcs   |



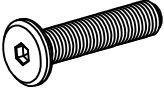
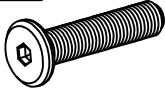

**STEP 3:** Following below illustration:

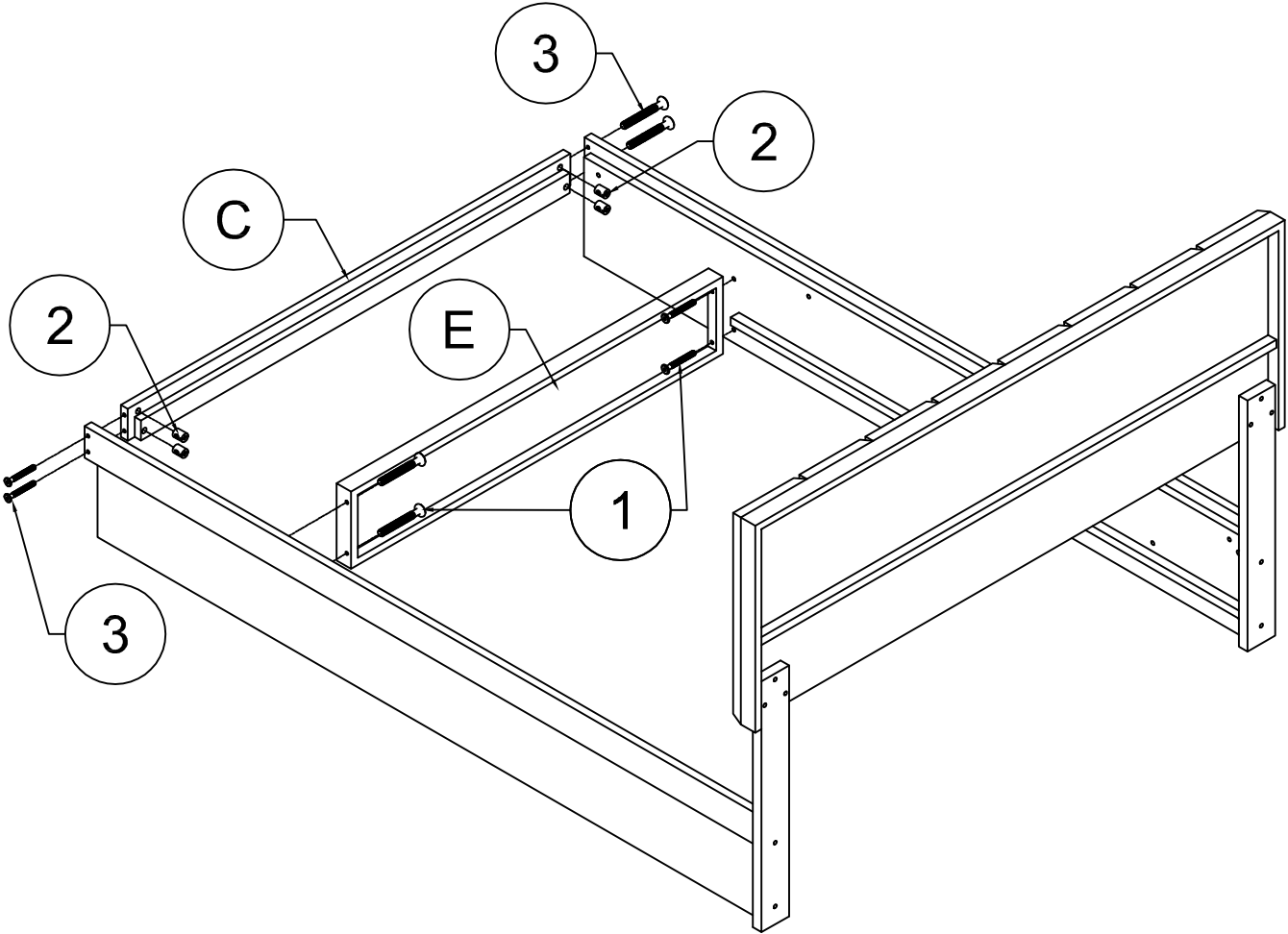
|      |  |
|------|--|
| 1    |  |
| 8pcs |  |




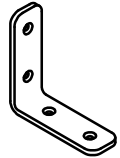


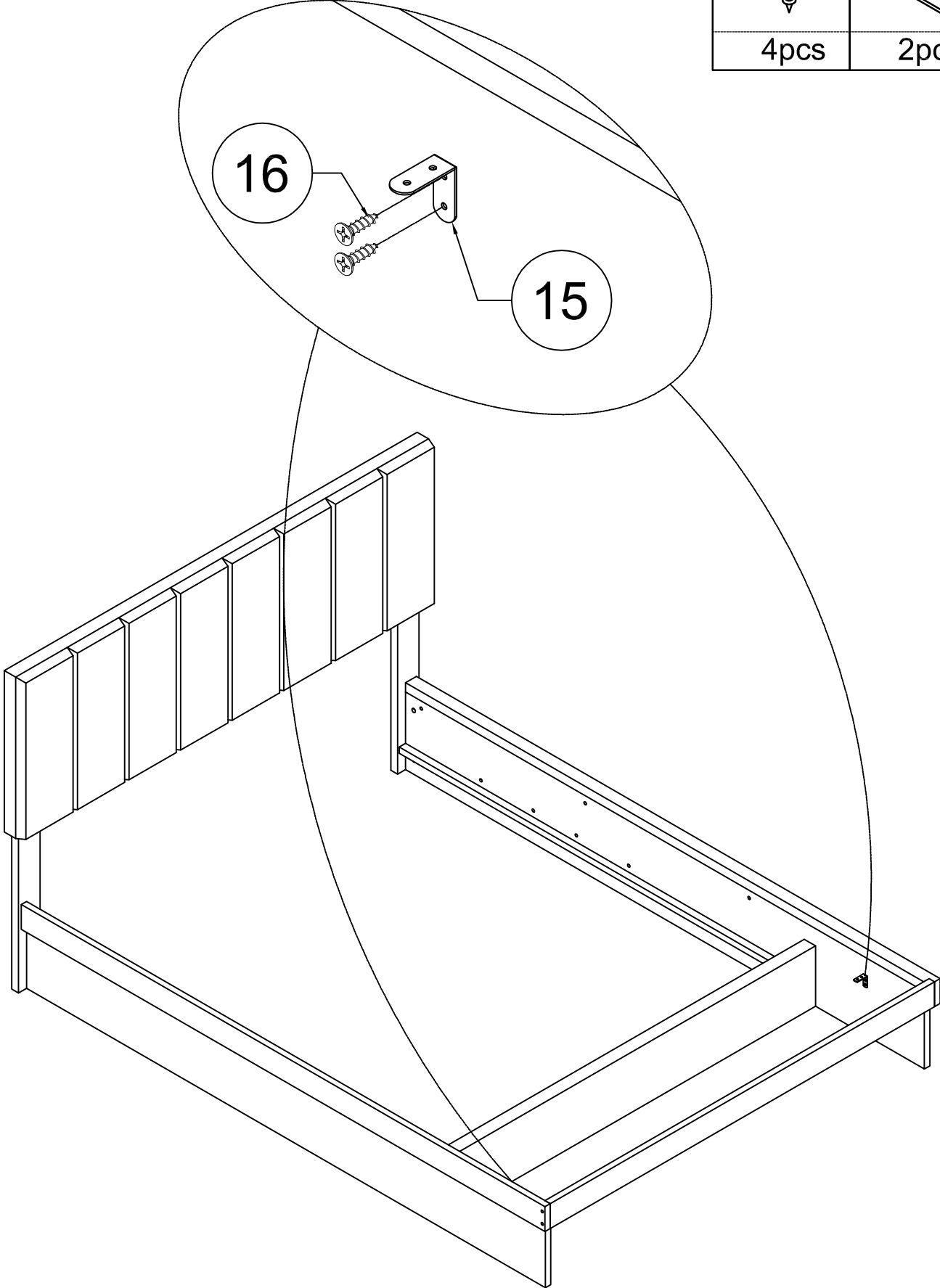
**STEP 4:** Following below illustration:

|  |  |  |
|--|--|--|
| 1  | 3  | 2  |
|  |  |  |
| 4pcs   | 4pcs   | 4pcs   |

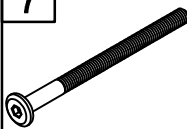
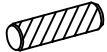



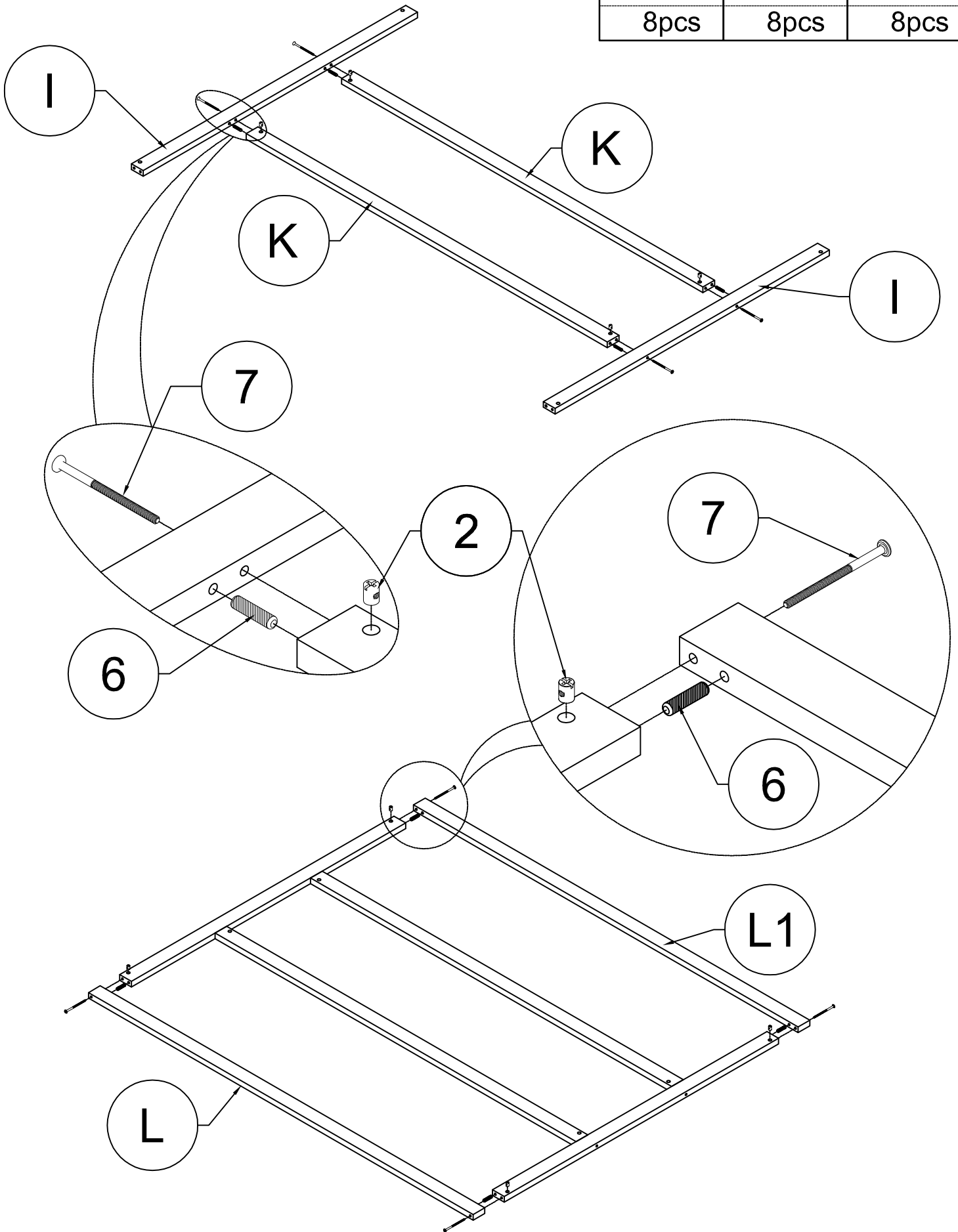
**STEP 5:** Following below illustration:

|  |  |
|--|--|
| 16   | 15   |
|  |  |
| 4pcs   | 2pcs   |

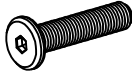




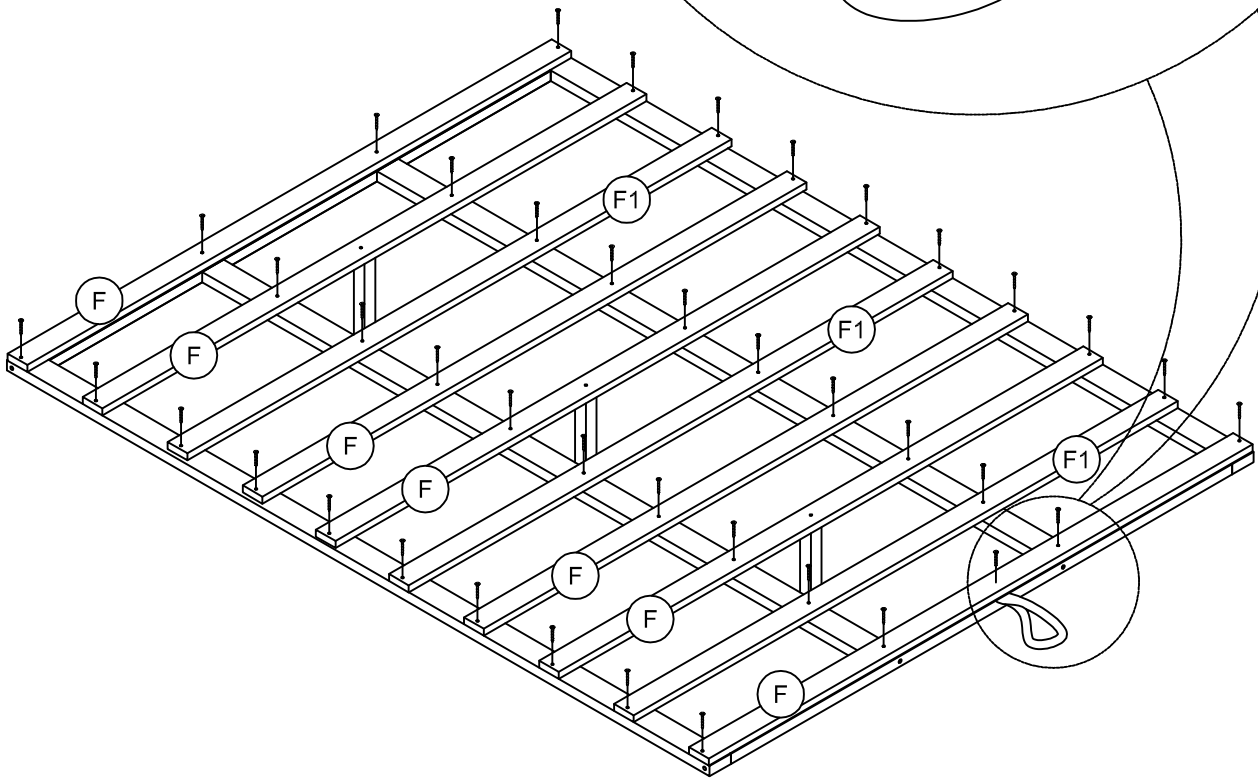
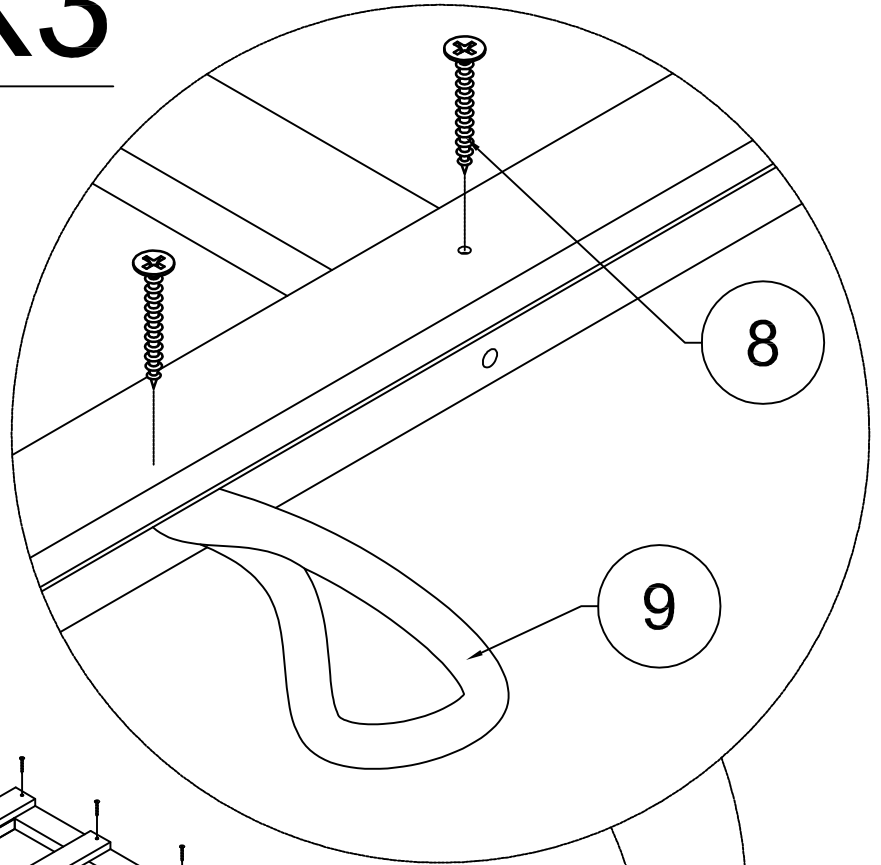
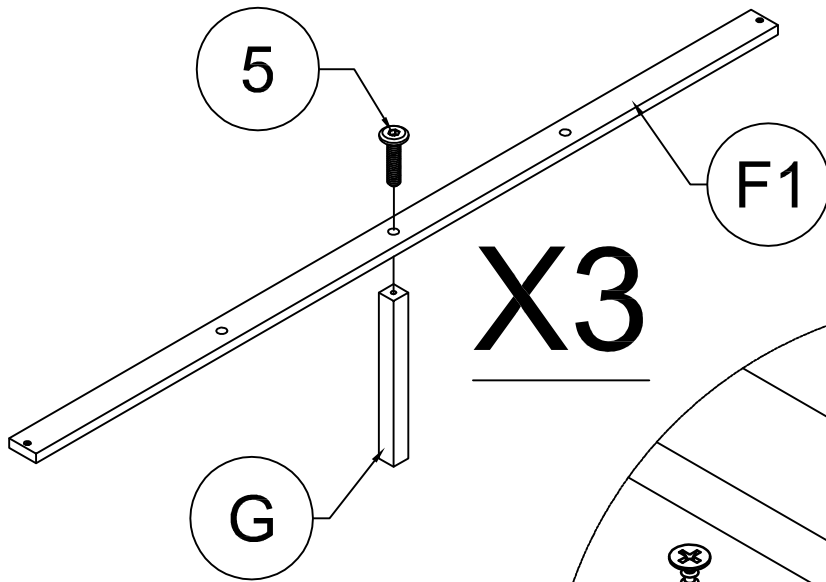
# STEP 6: Following below illustration:

|   |   |  |
|---|---|--|
| 7   | 6   | 2  |
|  |  |  |
| 8pcs  | 8pcs  | 8pcs   |

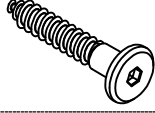
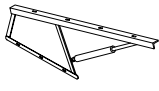
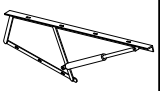


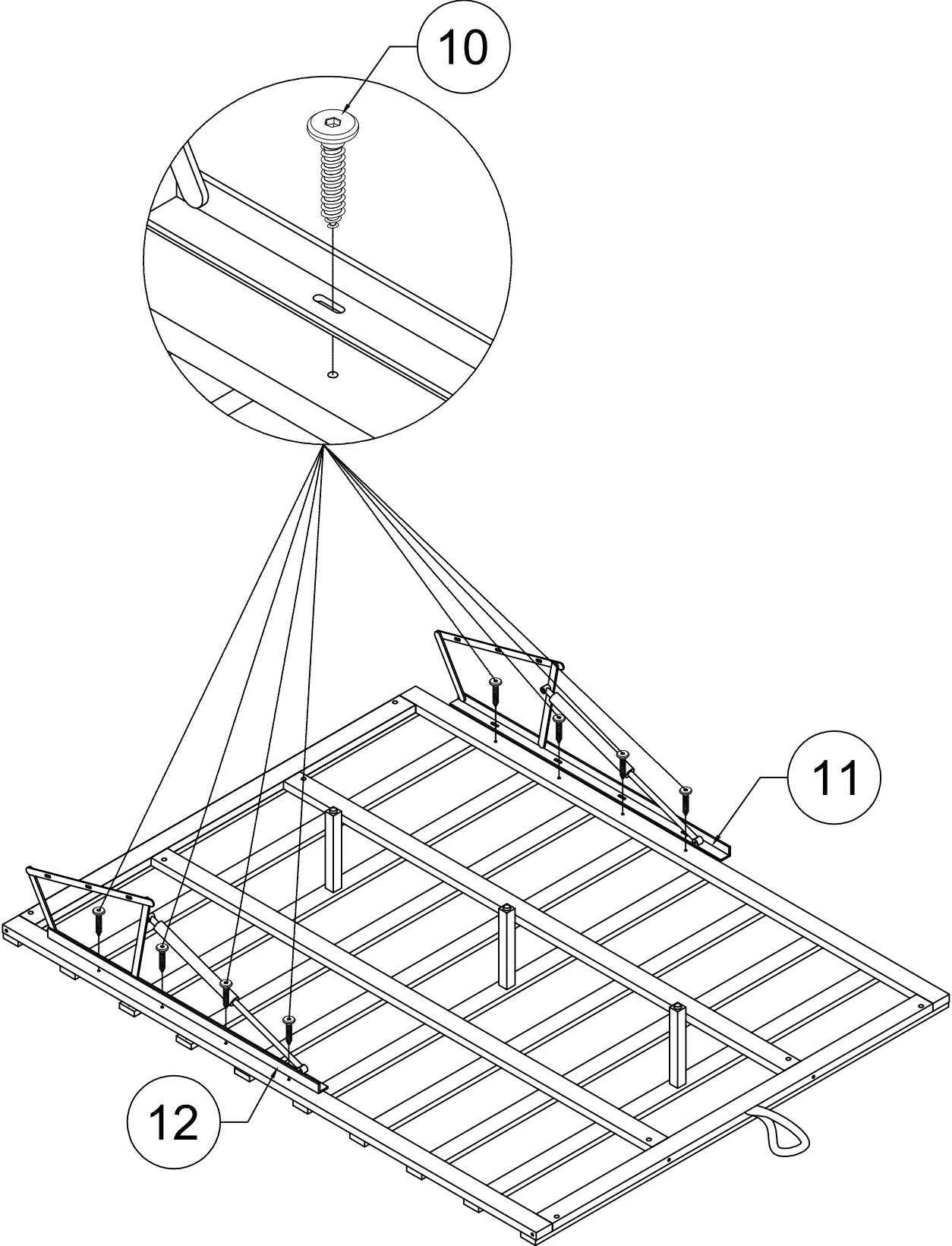
# STEP 7: Following below illustration:

|   |  |  |
|---|--|--|
| 5   | 8  | 9  |
|  |  |  |
| 3pcs  | 41pcs  | 1pcs   |

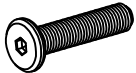


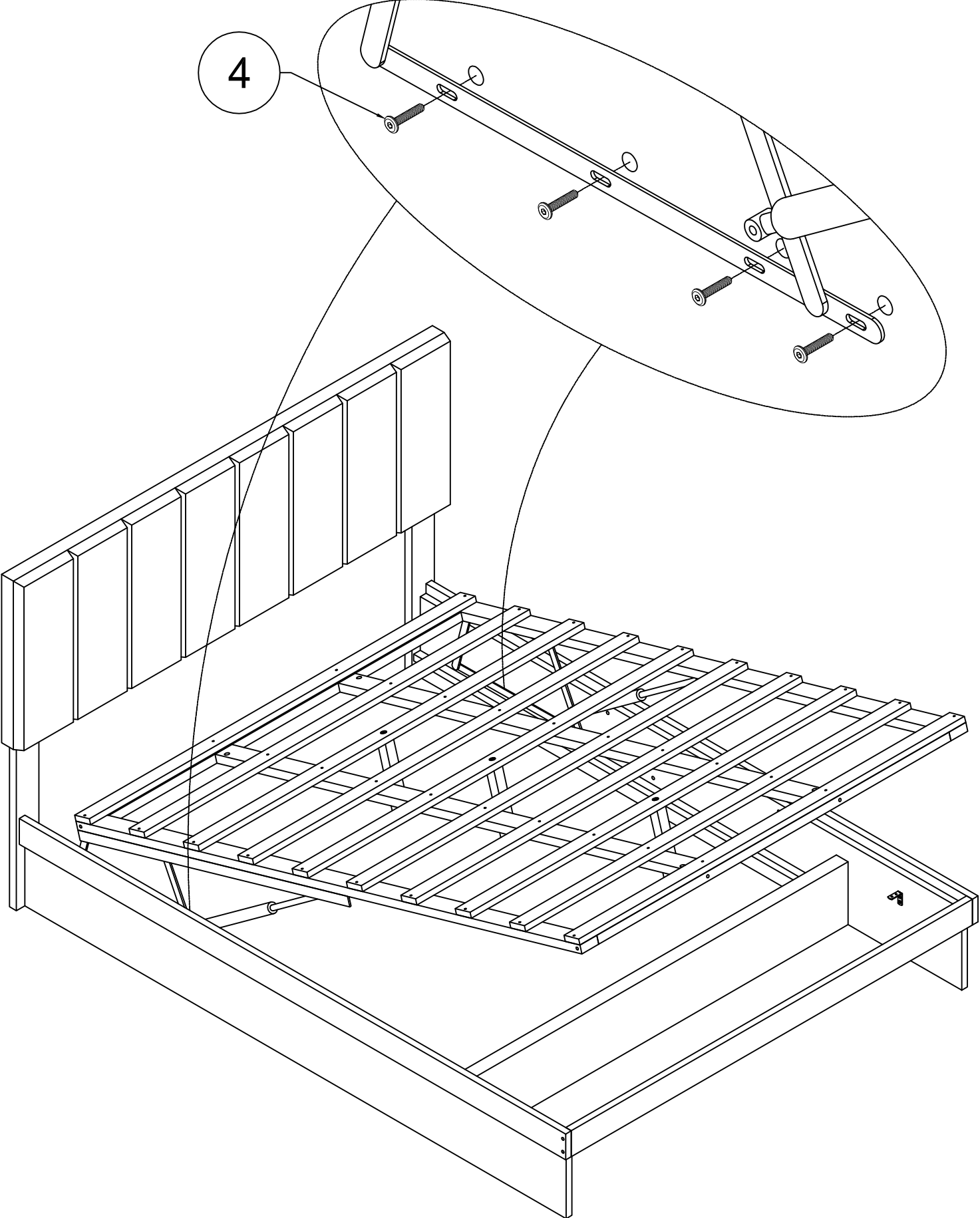
**STEP 8:** Following below illustration:

|   |   |   |
|---|---|---|
| 10  | 11  | 12  |
|  |  |  |
| 8pcs  | 1pcs  | 1pcs  |



**STEP 9:** Following below illustration:

|   |
|---|
| 4   |
|  |
| 8pcs  |

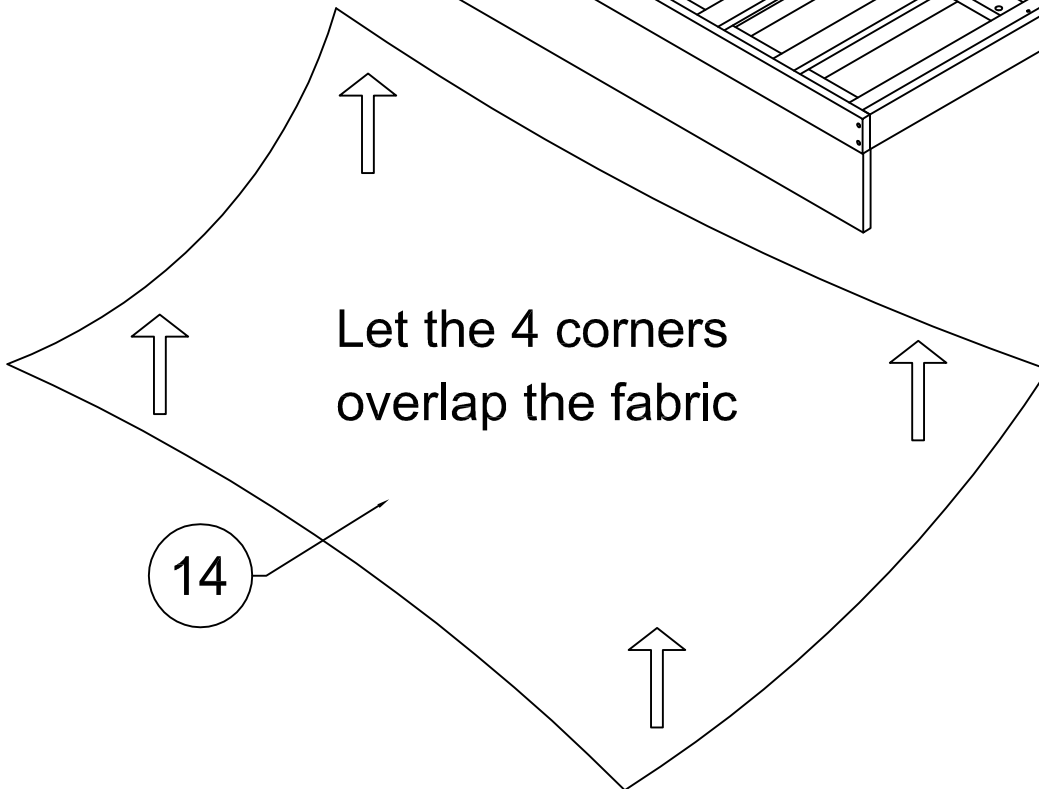
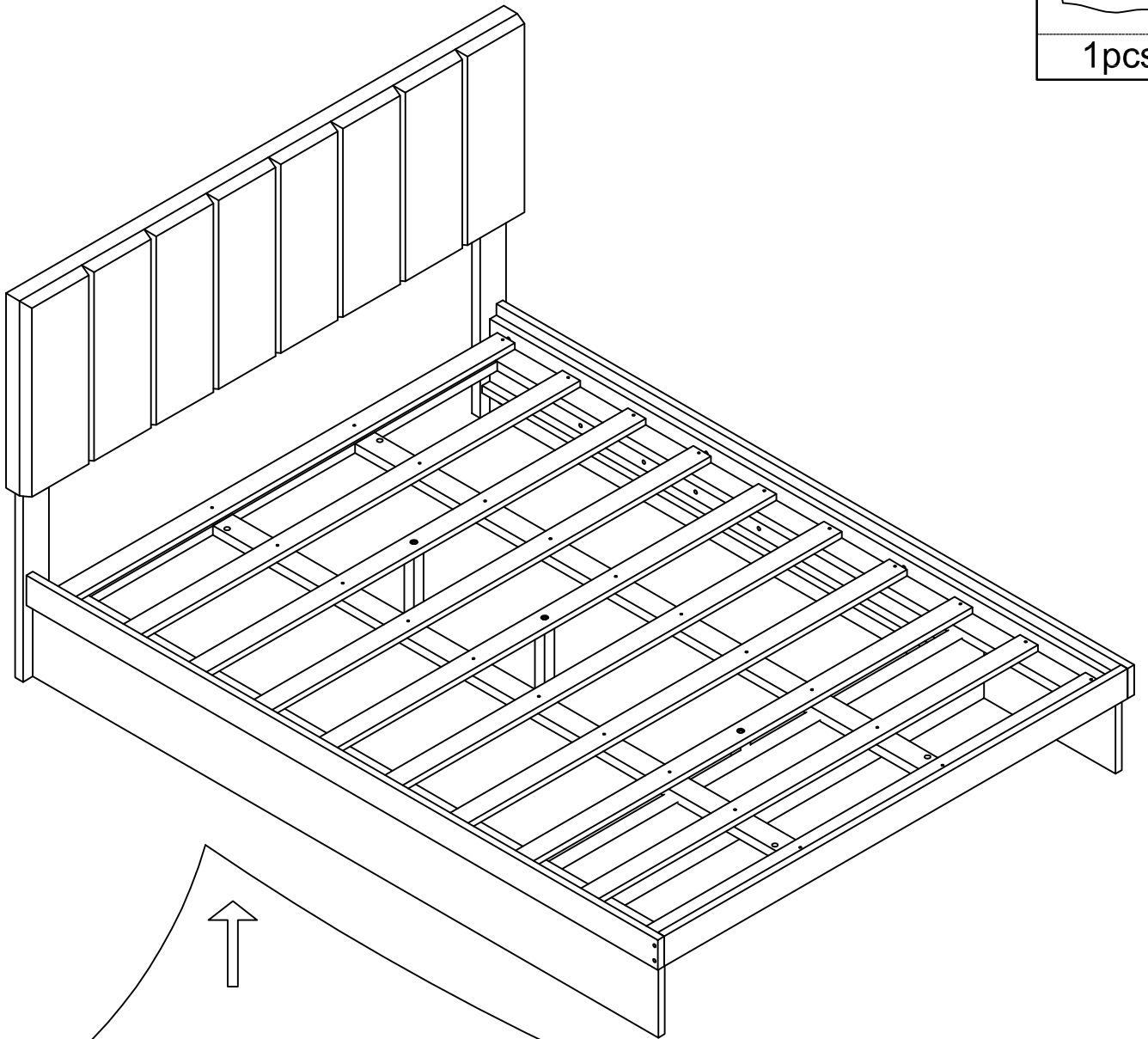


**STEP 10:** Following below illustration:

14






1pcs

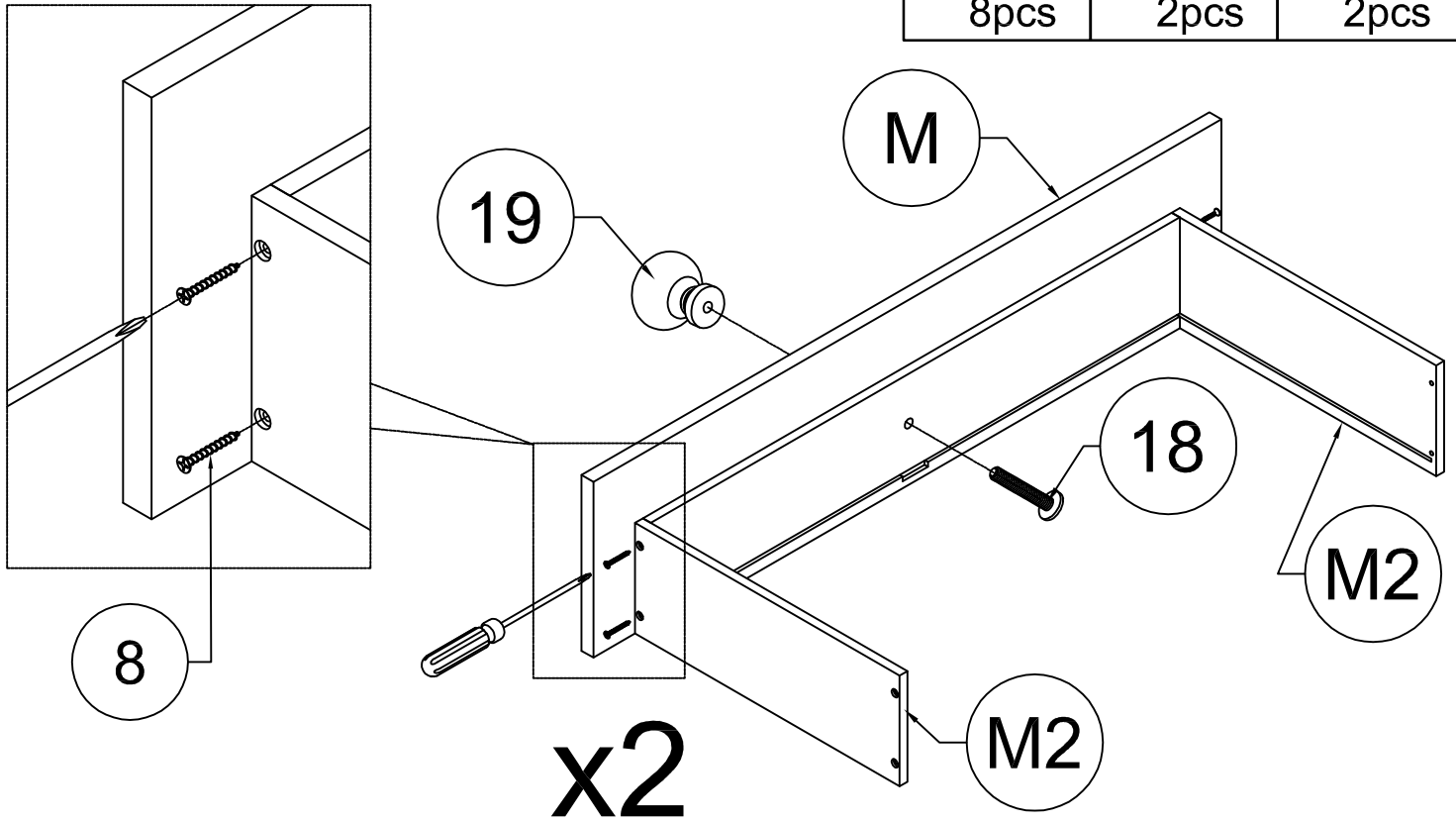


Let the 4 corners overlap the fabric

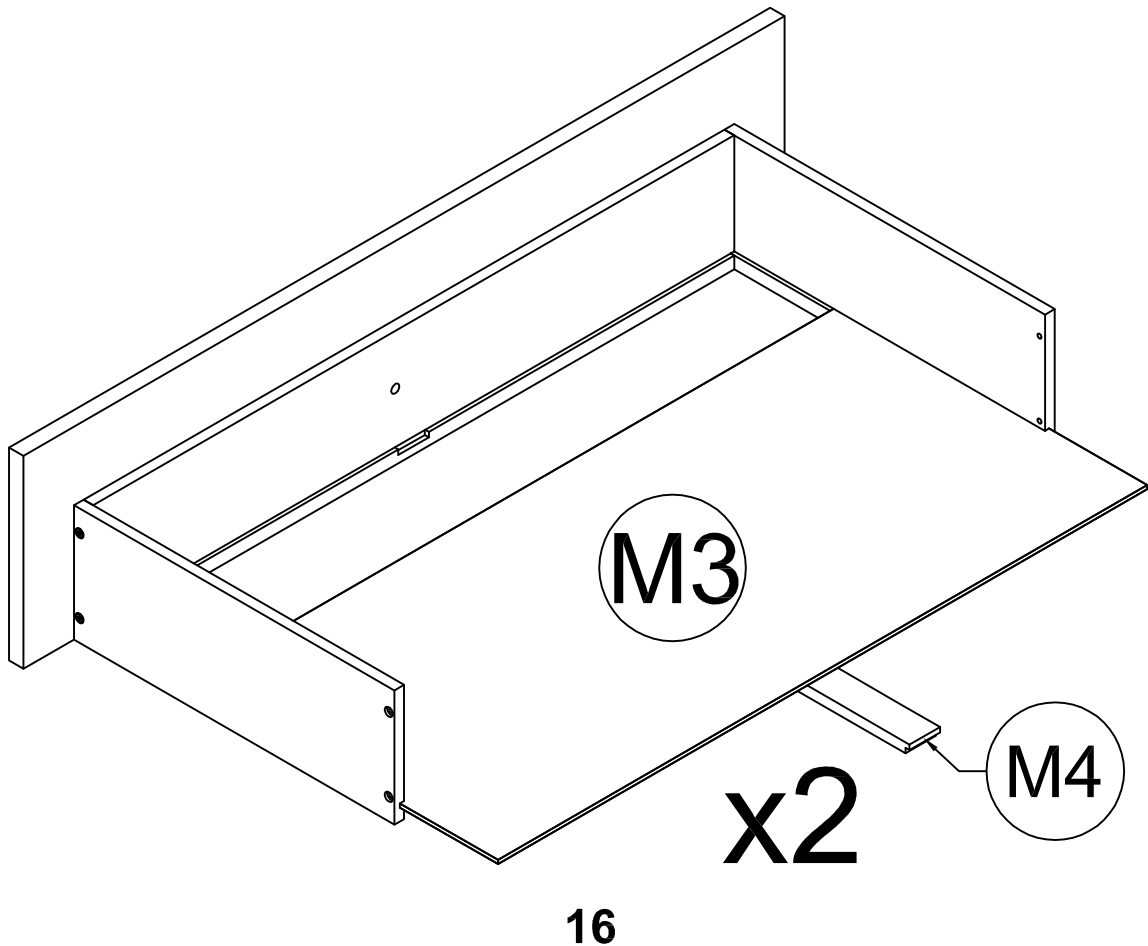
14

**STEP 11:** Following below illustration:

|      |  |      |   |      |   |
|------|--|------|---|------|---|
| 8    |  | 18   |  | 19   |  |
| 8pcs |  | 2pcs |   | 2pcs |   |



**STEP 12:** Following below illustration:





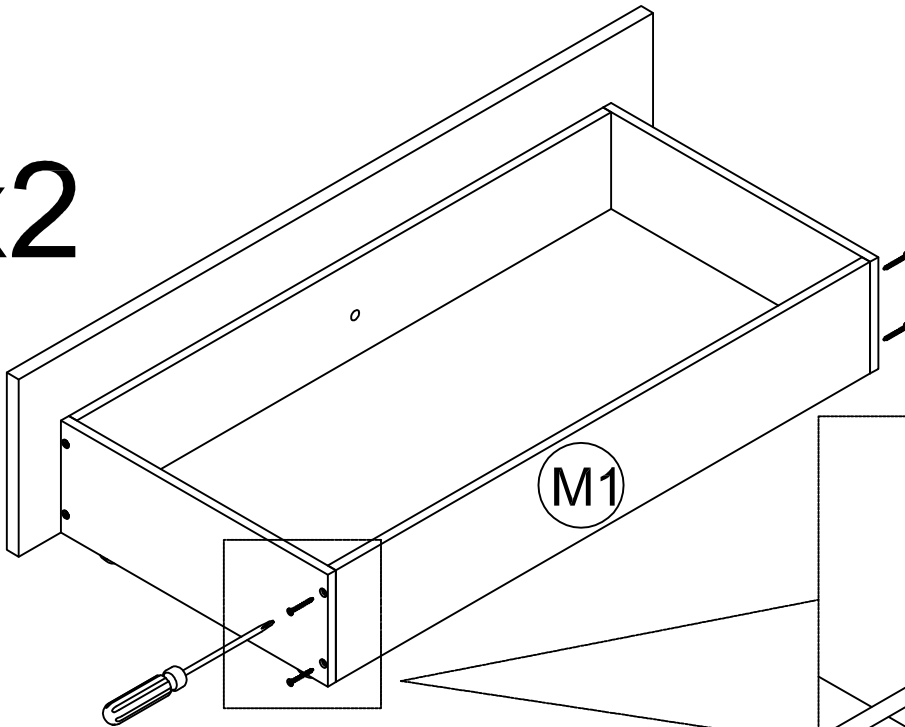
**STEP 13:** Following below illustration:

8

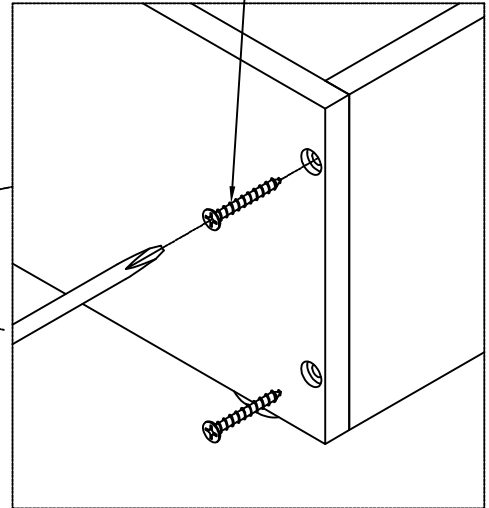


8pcs

x2



8



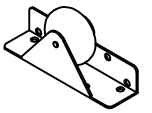
**STEP 14:** Following below illustration:

16

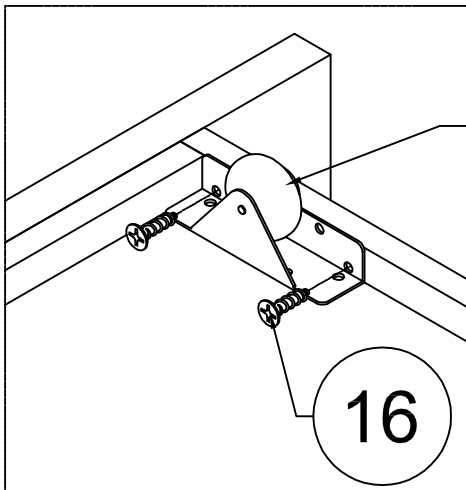


16pcs

17

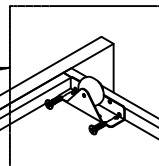


8pcs

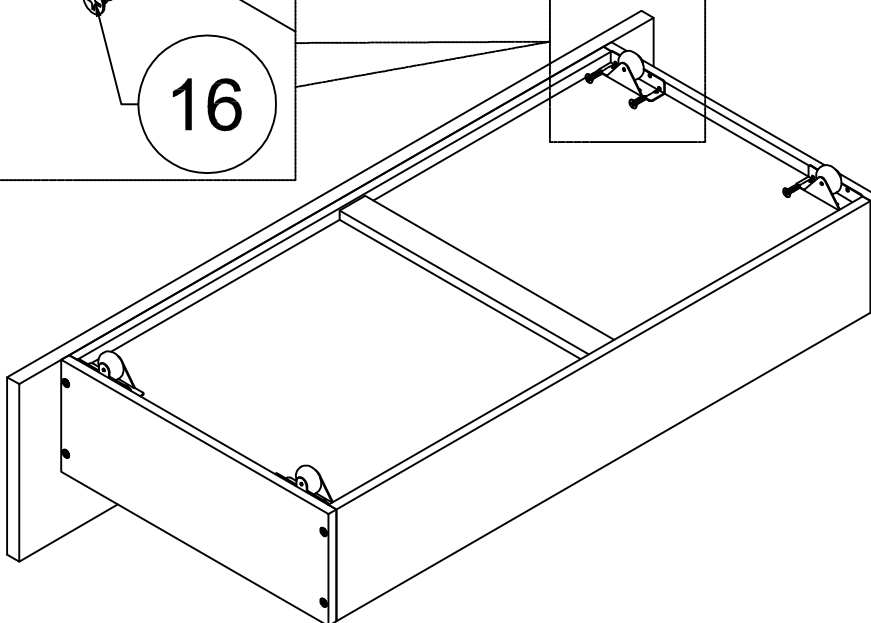


17

16



x2



17

# FINISH

