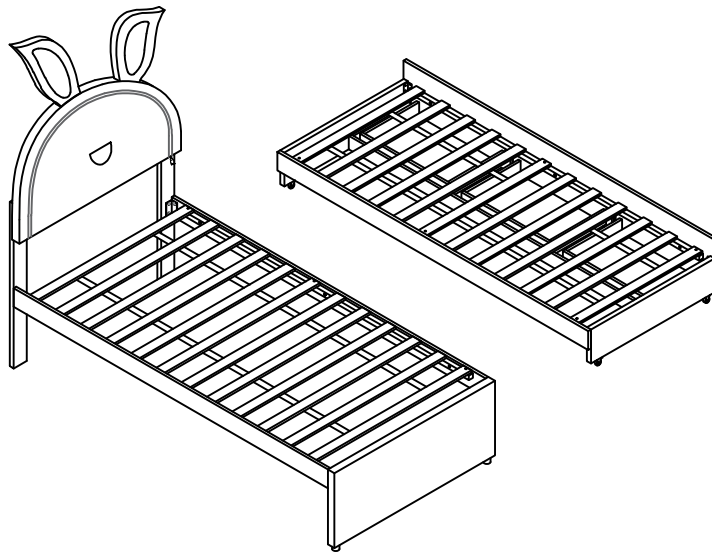


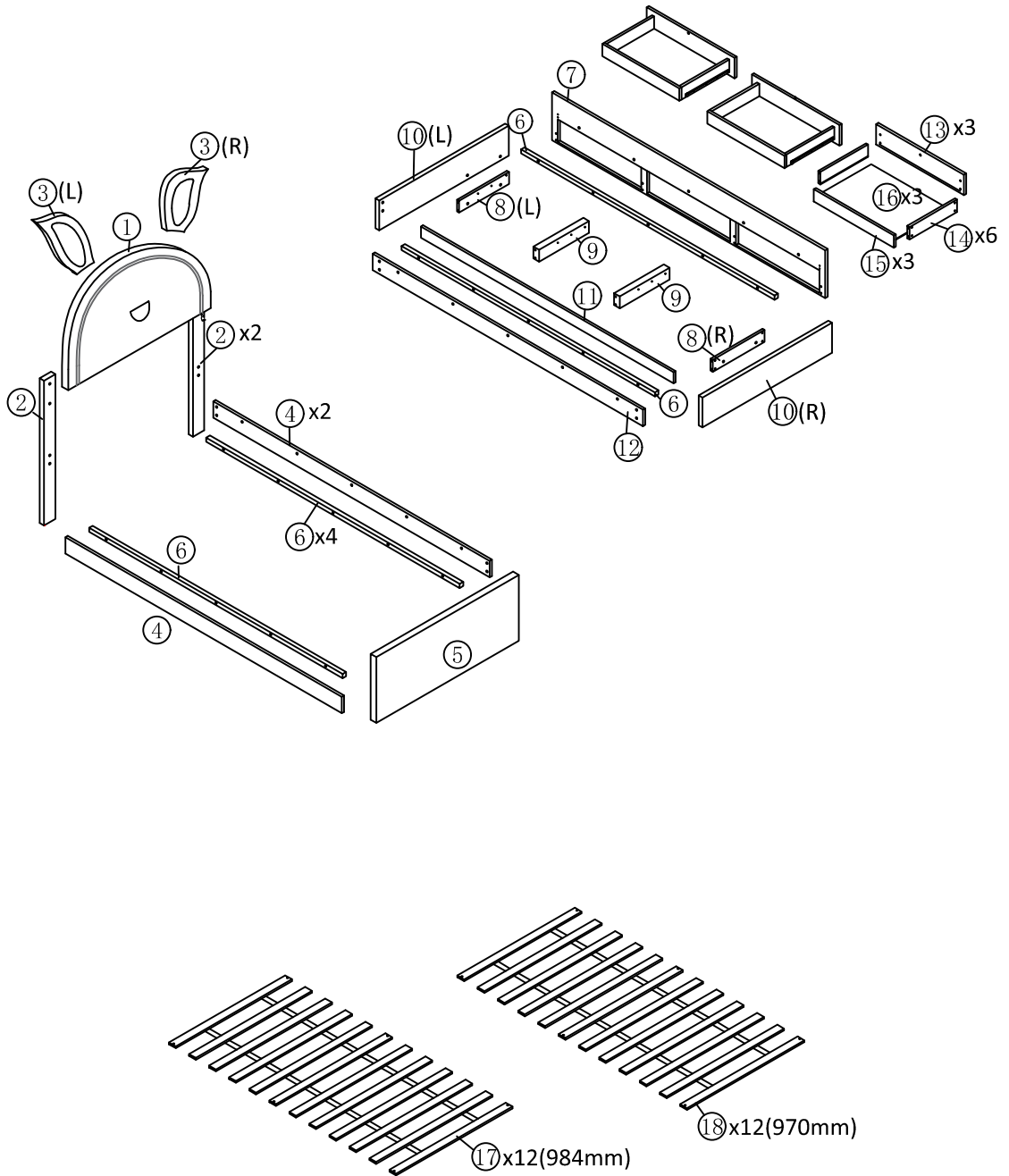
ASSEMBLY INSTRUCTION

SKU:WF317947

WF317948

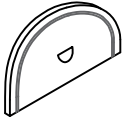

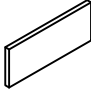
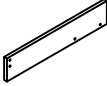
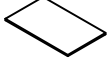




Detail View



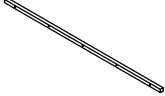

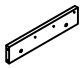
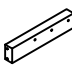
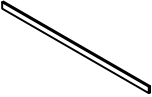
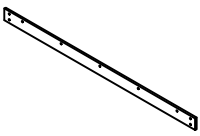
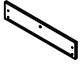




Part List












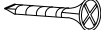
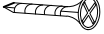
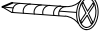








Hardware List+WF317947

<p>1</p>  <p>Head board-1pc</p>	<p>3</p>  <p>Ear of the Headboard-2pcs</p>	<p>5</p>  <p>Foot board-1pc</p>
<p>10</p>  <p>Bottom bed board-2pcs</p>	<p>16</p>  <p>Drawer bottom board-3pcs</p>	<p>17</p>  <p>Slats(984mm)-12pcs</p>
<p>18</p>  <p>Slats(874mm)-12pcs</p>		

WF317948

<p>2</p>  <p>Head board legs-2pcs</p>	<p>4</p>  <p>Siderails-2pcs</p>	<p>6</p>  <p>Side rails support bar-4pcs</p>
<p>7</p>  <p>Bottom bed board-1pc</p>	<p>8</p>  <p>Bottom bed board-2pcs</p>	<p>9</p>  <p>Bottom bed board-2pcs</p>
<p>11</p>  <p>Bottom bed board-1pc</p>	<p>12</p>  <p>Bottom bed board-1pc</p>	<p>13</p>  <p>Drawer outer board-3pcs</p>
<p>14</p>  <p>Drawer board-6pcs</p>	<p>15</p>  <p>Drawer board-3pcs</p>	

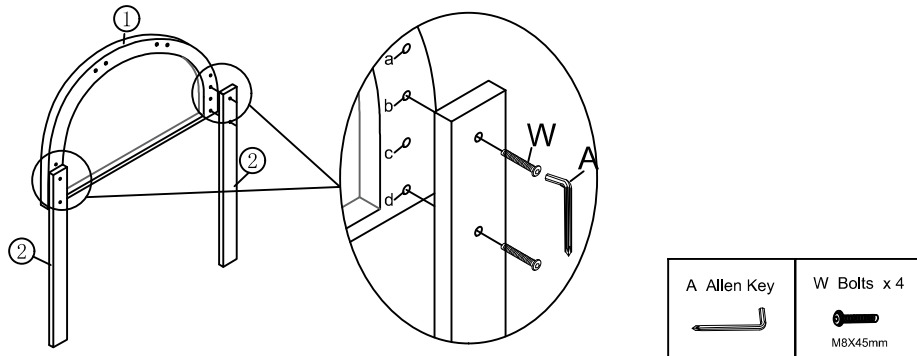
Hardware List

A	B	C
	 Ø8*40mm	 Ø8*18mm
Allen Key(1pc)	Bolts(24pcs)	Bolts(32pcs)
D	E	F
		 Ø4*40mm
Four hole iron(2pcs)	Legs(2pcs)	Nails(2pcs)
G	H	I
		
"7" Connector(6pcs)	Drawer handle(3pcs)	Drawer fittings(40pcs)
J	K	L
		 Ø3*16mm
Drawer fittings(40pcs)	Wheel(4pcs)	Nails(44pcs)
M	N	O
 Ø3*25mm	 Ø4*30mm	
Nails(8pcs)	Nails(12pc)	Little "7" Connector(2pc)
P	R	S
 Ø5*20mm	 3pcsR/3pcsL	 3pcsR/3pcsL
Bolts(3pc)	Drawer track(6pc)	Drawer track(6pc)
T	U	V
		
Connecting line(2pc)	Power adapter(1pc)	Color controller(1pc)
W		
 Ø8*45mm		
Bolts(4pc)		

Attention: Do not tighten the screws before completing the entire installation. If you have any difficulty with the installation process, please feel free to contact us.

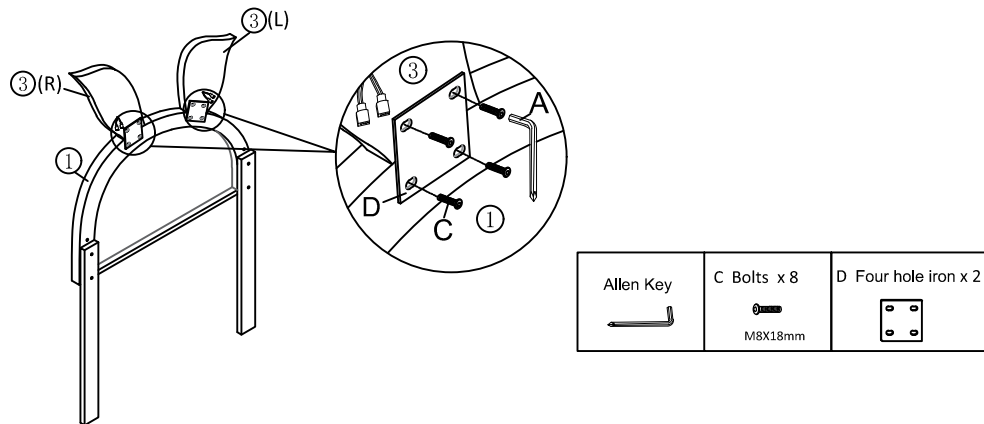
Step 1

Fix the head board legs ② to the headboard ① with Bolts B by using Allen key A. You can chose the hole a and c, or b and d.



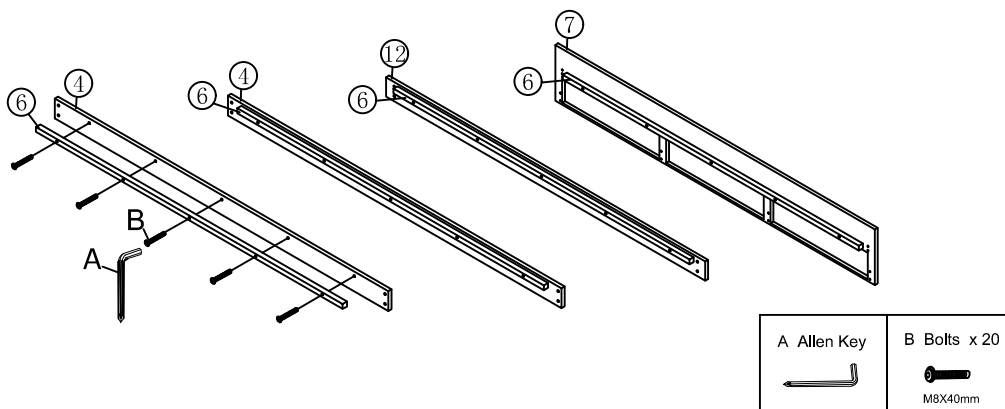
Step 2

Fix the Ear of the Headboard ③ to the headboard ① with Four hole iron D and Bolts C by using Allen Key A.



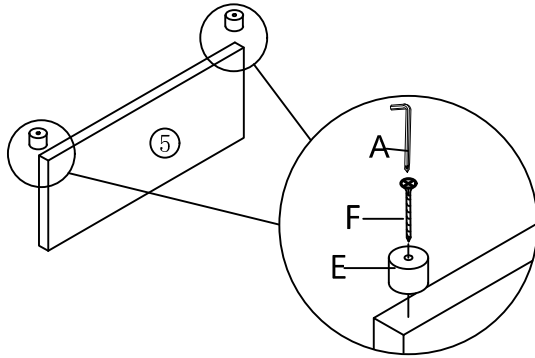
Step 3




Fix the Siderail support bar ⑥ to Siderails ④, Bottom bed board ⑦ and ⑫ with Bolts B by using Allen key A.



Step 4

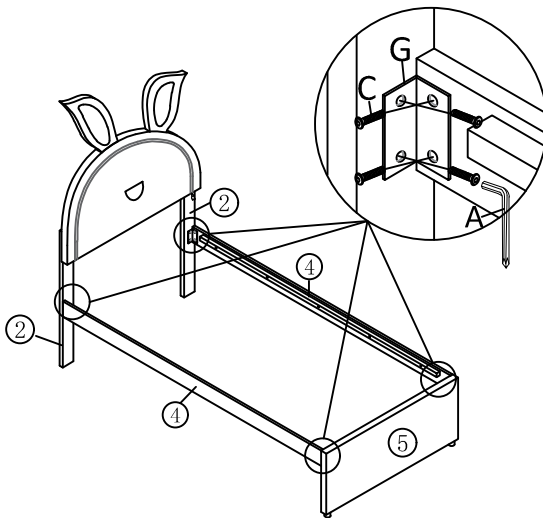
Fix the legs E to the Footboard ⑤ with Nails F by using Allen key A or Electric drill.






Allen Key 	E Bolts x 2 	F Four hole iron x 2  M4X40mm
---	--	--

Step 5

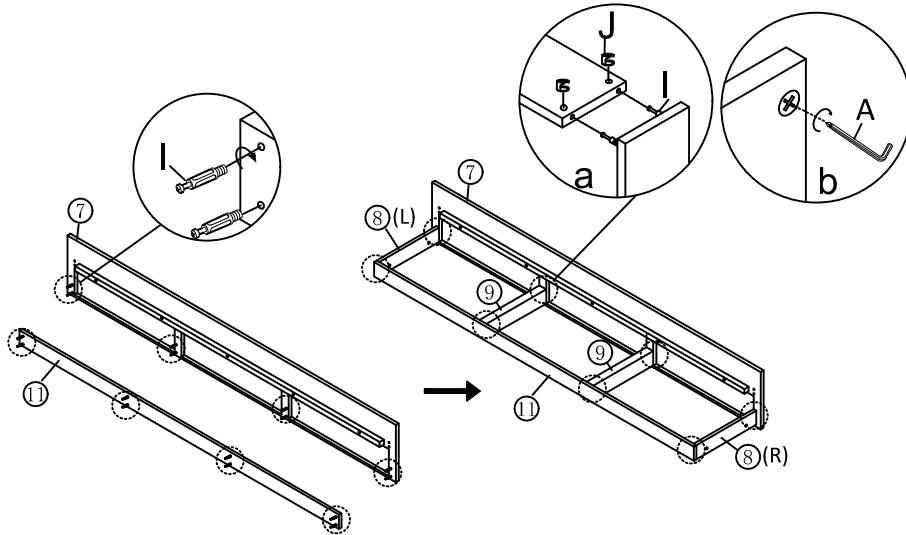
Fix the siderails ④ to the Headboard legs ② and footboard ⑤ with Bolt C and "7" Connector G by using Allen key A.






Allen Key 	C Bolts x 16  M8X18mm	G "7" Connector x 4 
---	--	--

Step 6

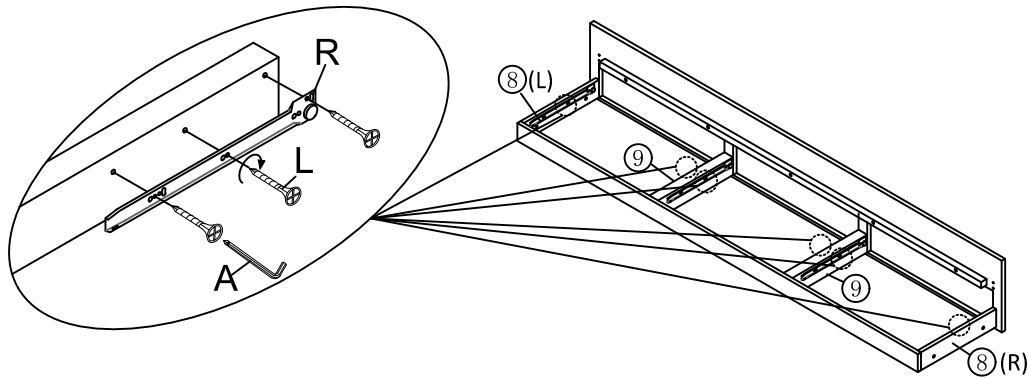
Assemble the bottom bed frame with Bottom bed board ⑦, ⑧, ⑨, and ⑪ together by using Drawer fitting I, J and Allen key A.



Allen Key 	I Drawer fittings x 16 	J Drawer fittings x 16 
---	---	---

Step 7

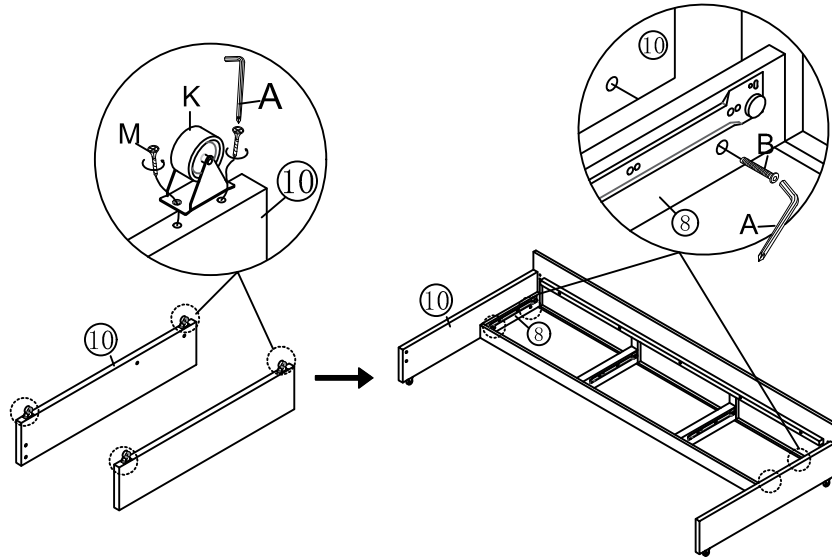
Fix the Drawer track R to the Bottom bed board ⑧ and ⑨ with Nails L by using Allen key A or Electric drill.



A Allen Key 	R Drawer track x 3R/3L 	L Nails x 18 M3X16mm 
---	---	--

Step 8

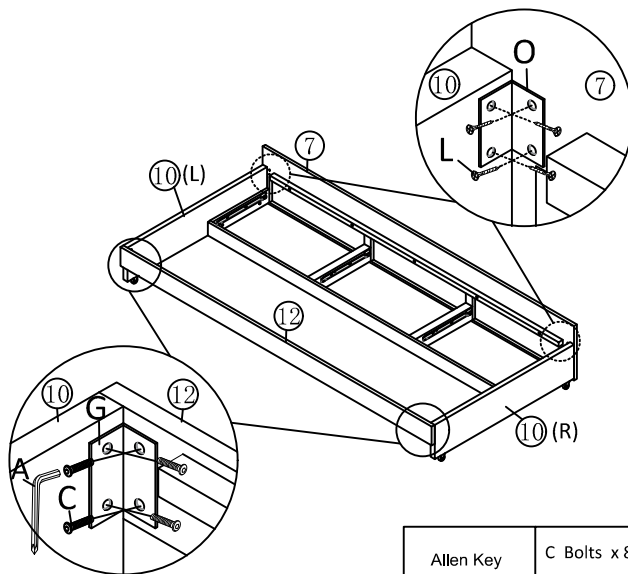
Fix Wheel K to the Bottom bed board ⑩ with Nails M by using Allen Key A or Electric drill.
 Attach Bottom bed board ⑩ to ⑧ with Bolt B by using Allen Key A.



A Allen Key	B Bolts x 4 M8X40mm	M Nails x 8 M3X25mm	K Wheel x 4
-------------	------------------------	------------------------	-------------

Step 9

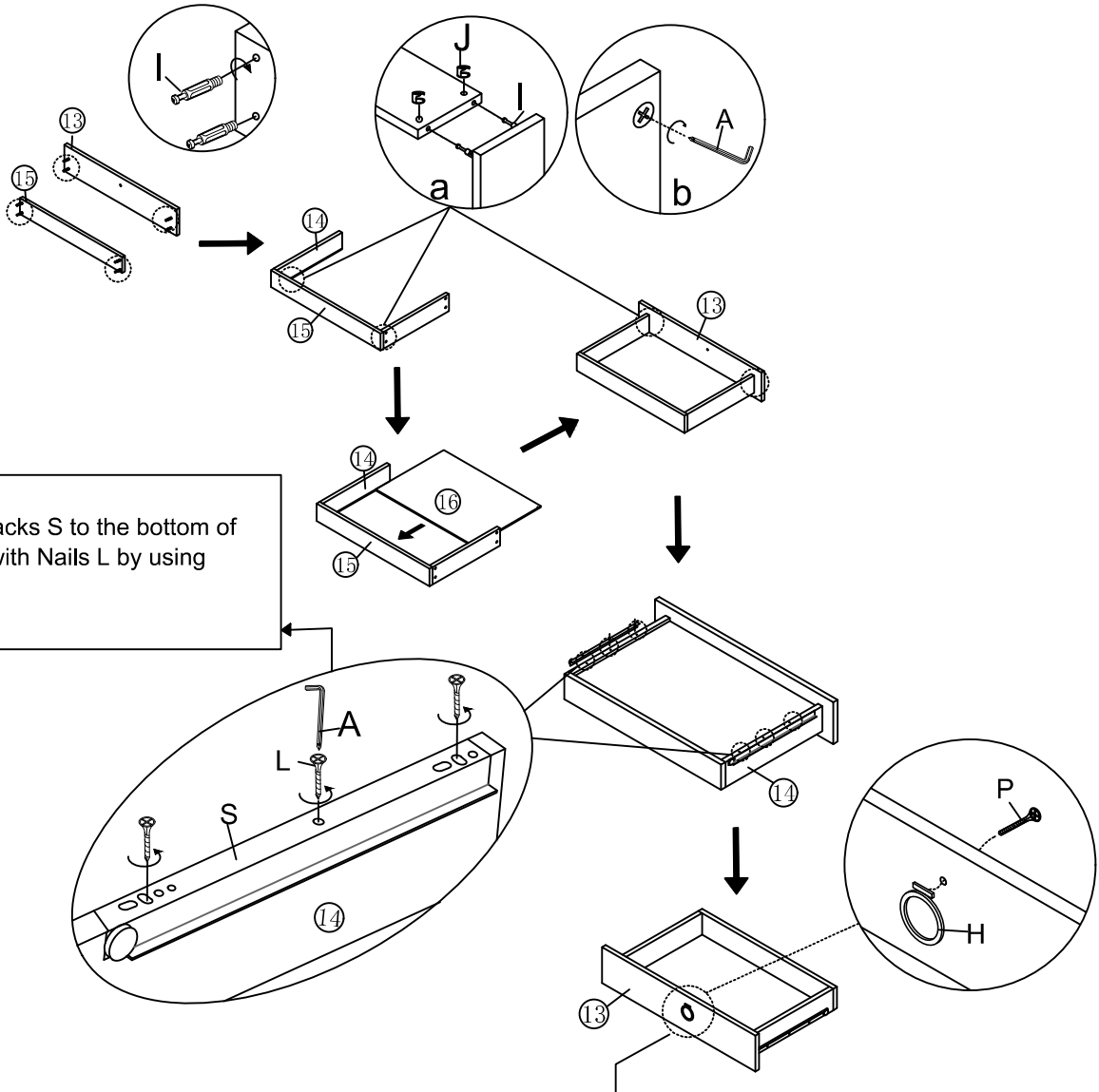
Fix Bottom bed board ⑩ and ⑦ with Little "7" Connector O and Nails L by using Allen key A or Electric drill.
 Fix Bottom bed board ⑩ to ⑫ with "7" Connector G and Bolts C by using Allen Key A.



Allen Key	C Bolts x 8 M8X18mm	G "7" Connector x 2	L Nails x 8 M3X16mm	O Little "7" Connector x 2
-----------	------------------------	---------------------	------------------------	----------------------------

Step 10




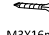


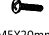
Fix the Drawer fittings I to the Drawer out board ⑬ and Drawer board ⑮. Connect Drawer board ⑭ to ⑬ and ⑮ with Drawer Fittings J by using Allen key A.



Attention:

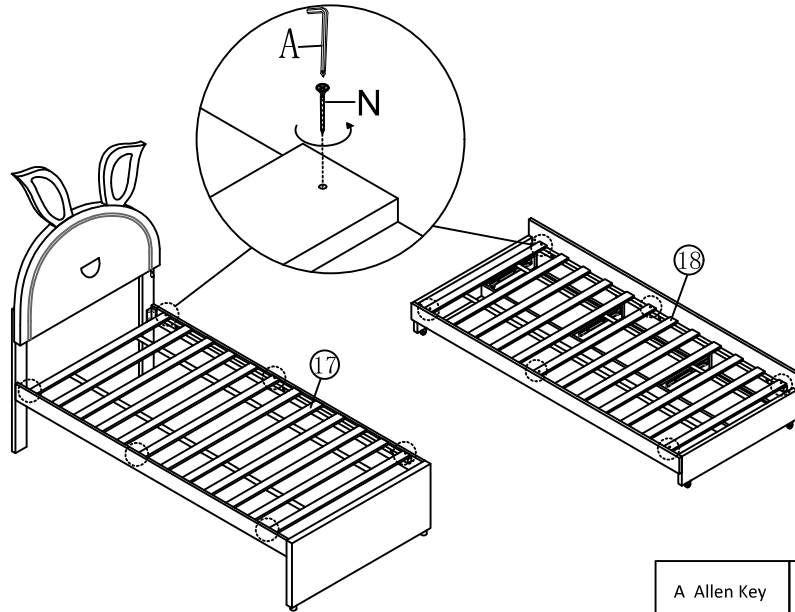
Fix Drawer tracks S to the bottom of the drawers with Nails L by using Allen Key A.

Fix Drawer handle H to the Drawer outer board ⑬ with Bolts P by using Allen Key A.

Allen Key	I Drawer fittings x 24	J Drawer fittings x 24	L Nails x 18 M3X16mm	S Drawer track x 3R/3L	H Drawer handle x 3	P Bolts x 3 M5X20mm
						

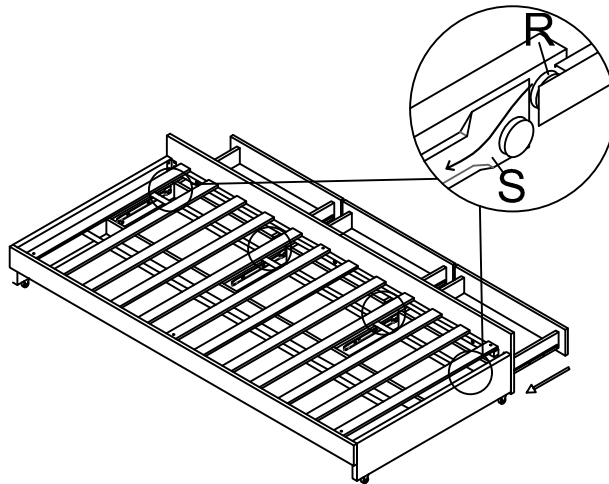
Step 11

Fix the Slats ⑰ and ⑱ to the side support bar with Nails N by using Allen key A or Electric drill.



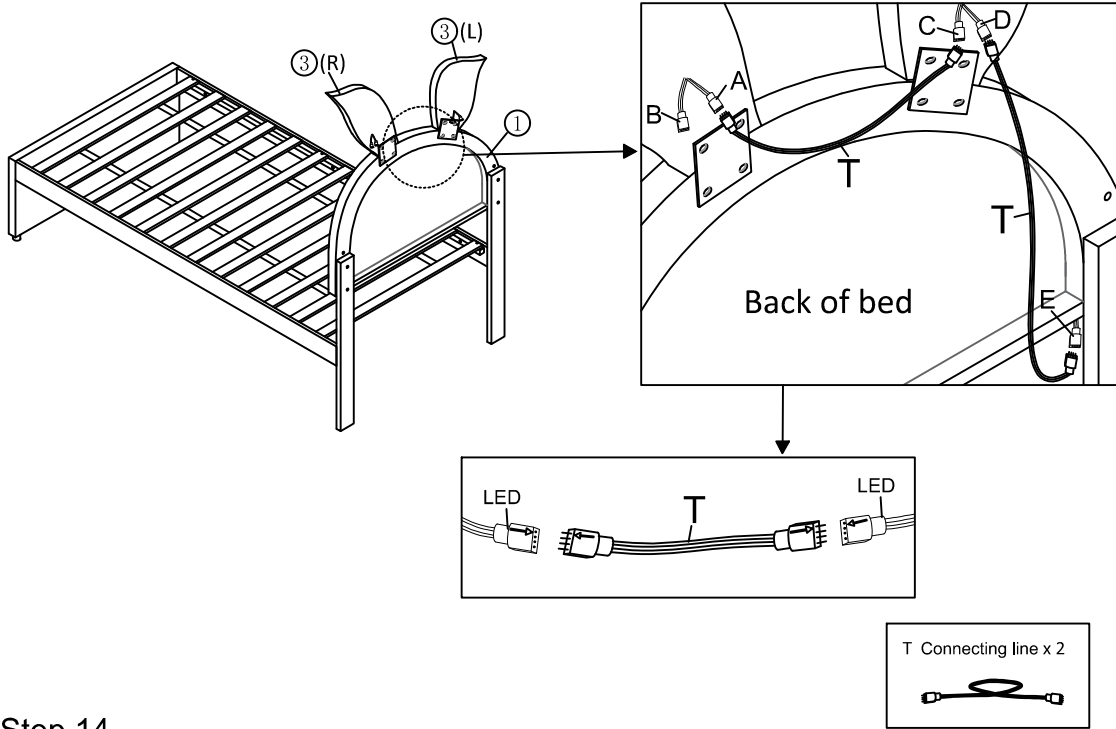
Step 12

Push Drawers into the bottom bed.



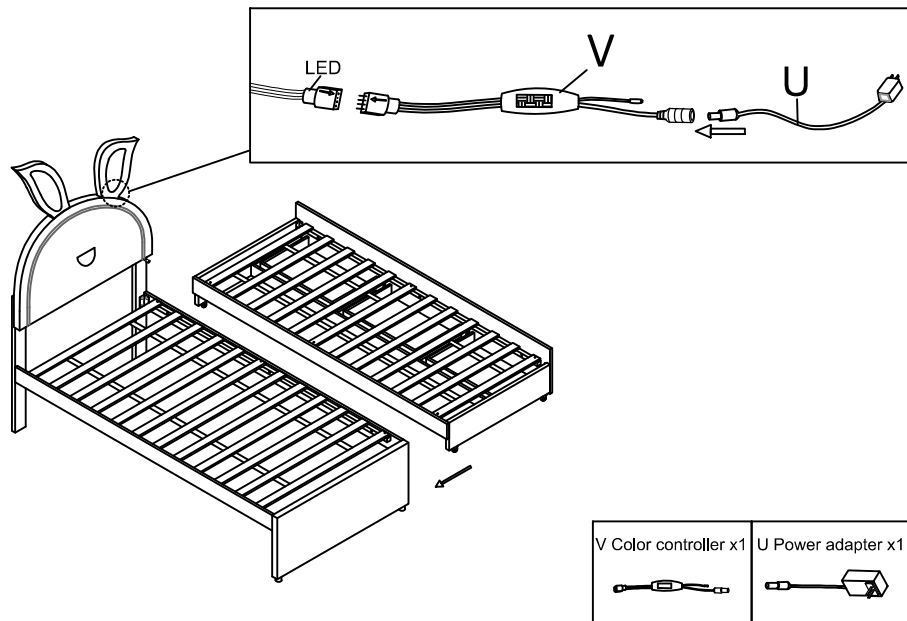
Step 13

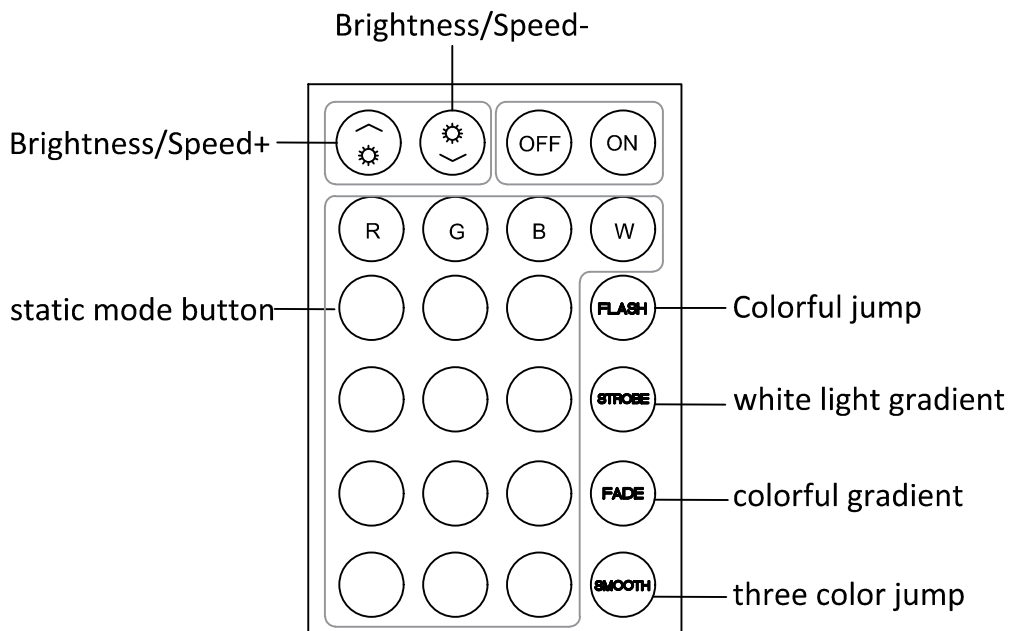
Fix one of the Connecting line T to the LED line A and LED line C. Fix another Connecting T to the LED line D and LED line E.



Step 14

Connect the Color controller V to the Bed LED line B, then connect the Color controller V to the Power adapter U. Then assemble is finished, push the bottom bed under the bed and enjoy it.





NOTICE:

When you use the remote control board to control the color of the light, Please remove the clear plastic card first, then please be sure to point the remote control at the color controller I.