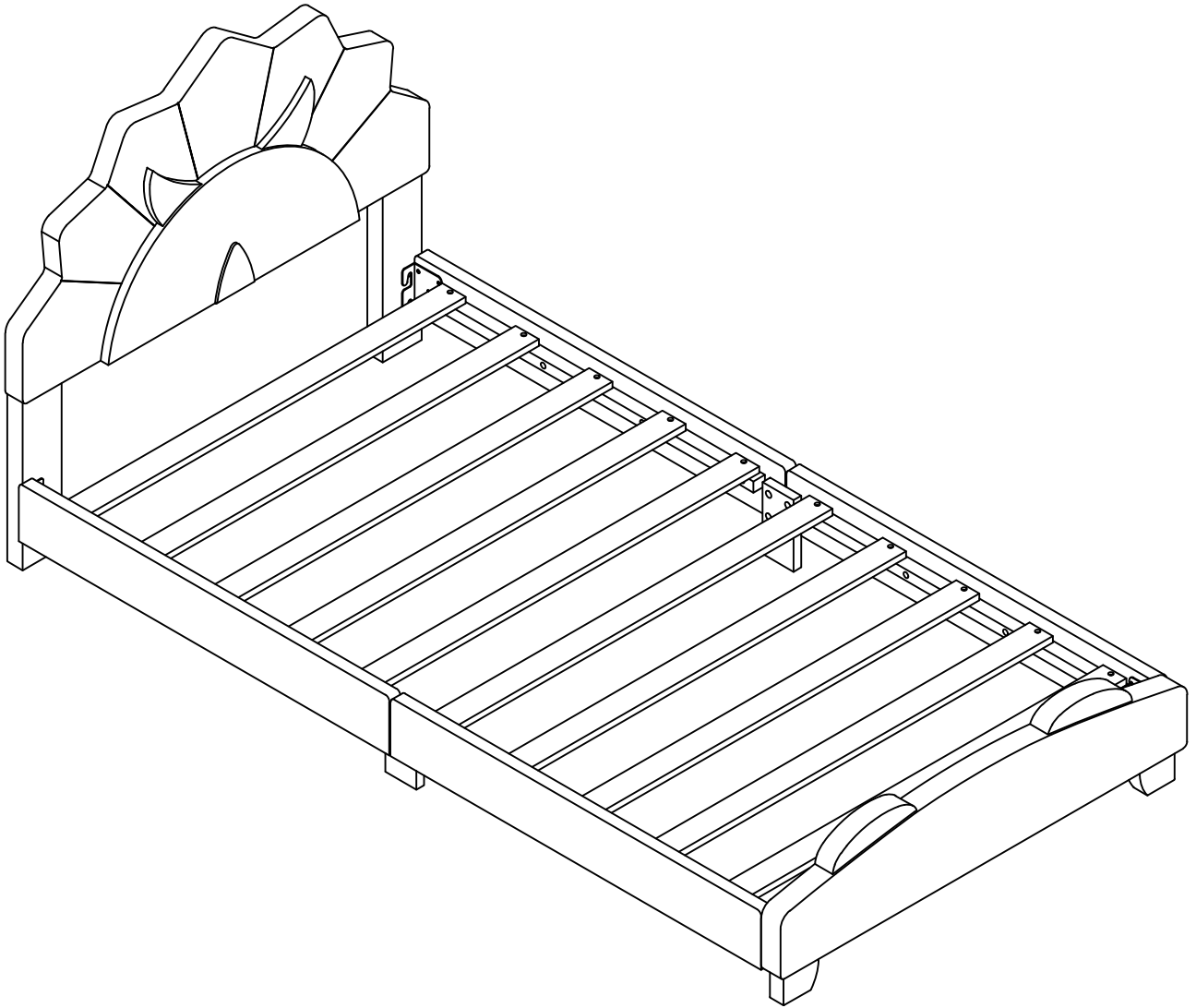


ASSEMBLY INSTRUCTIONS

WF 316795



IMPORTANT NOTE

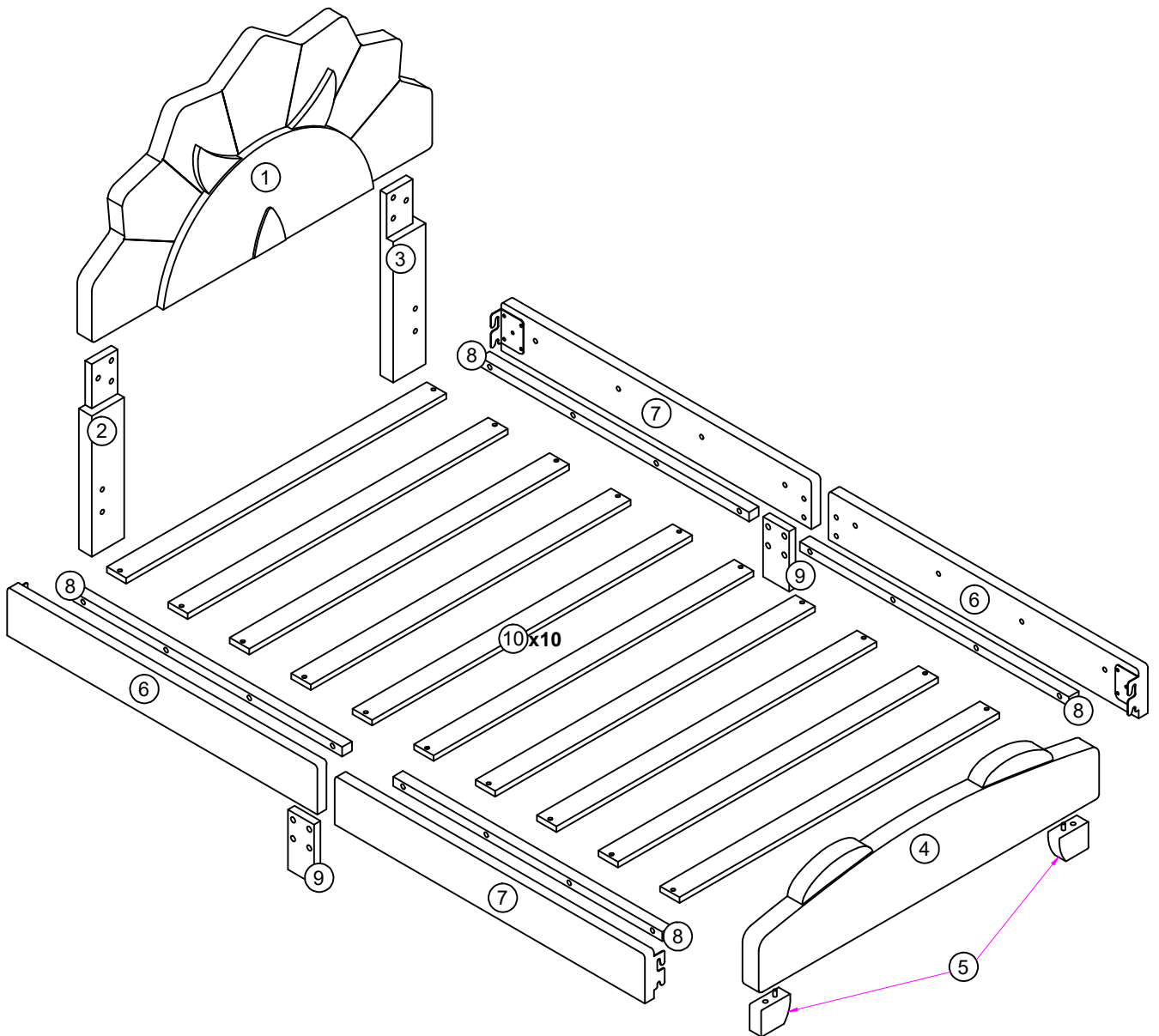
****PLACE ALL PARTS ON A CLEAN AND SMOOTH SURFACE SUCH AS A RUG OR CARPET TO
AVOID THE PARTS FROM BEING SCRATCHED**

**** BEFORE YOU BEGIN , KINDY FOLLOW THE ASSEMBLY INSTRUCTIONS STEP BY STEP**

****DO NOT TIGHTEN ALL SCREWS AND BOLTS UNTIL THE BED IS FULLY SET-UP**

ASSEMBLY INSTRUCTIONS

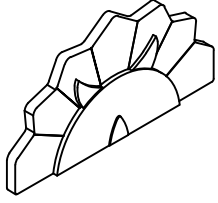


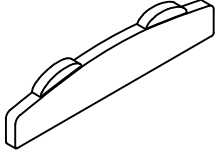

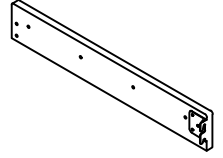
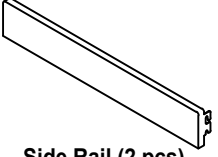

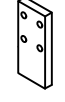

WF 316795





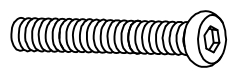
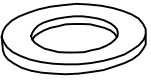
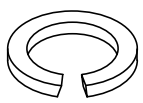


ASSEMBLY INSTRUCTION

WF 316795

PART LIST IN: WF 316795

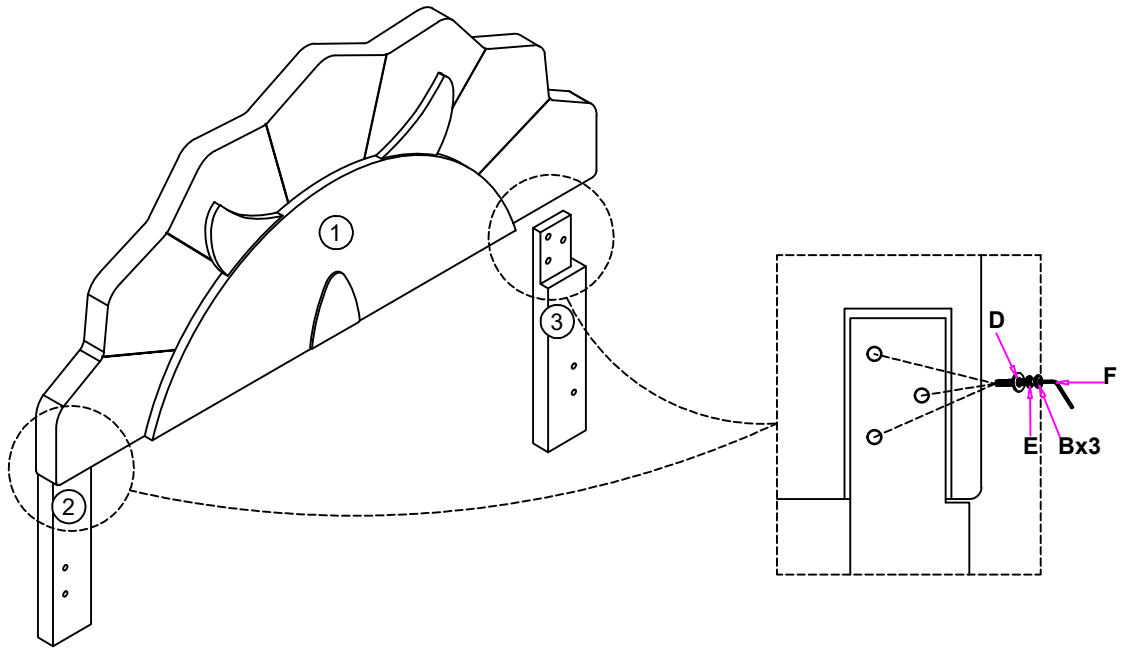
| | | |
|---|---|--|
| <p>1</p>  <p>Headboard Panel (1 pc)</p> | <p>2</p>  <p>Left Headboard Leg (1 pc)</p> | <p>3</p>  <p>Right Headboard Leg (1 pc)</p> |
| <p>4</p>  <p>Footboard Panel (1 pc)</p> | <p>5</p>  <p>Legs (2 pcs)</p> | <p>6</p>  <p>Side Rail (2pcs)</p> |
| <p>7</p>  <p>Side Rail (2 pcs)</p> | <p>8</p>  <p>Bed Support Bar (4 pcs)</p> | <p>9</p>  <p>Rail support legs (2pcs)</p> |
| <p>10</p>  <p>Roll Slat (10 pcs) 985*60*15</p> | | |





HARDWARE LIST IN WF 316795

| | | |
|---|---|---|
| <p>A</p>  <p>Short Bolt (8pcs) (5/16 "X25mm)</p> | <p>B</p>  <p>Long Bolt (14pcs) (5/16 "X38mm)</p> | <p>C</p>  <p>Long Bolt (18pcs) (5/16 "X50mm)</p> |
| <p>D</p>  <p>Flat Washer (40pcs)</p> | <p>E</p>  <p>Spring Washer (40pcs)</p> | <p>F</p>  <p>Allen Wrench (1pc) (M4x75mmx32mm)</p> |
| <p>G</p>  <p>Flat Head Screw (20pcs) (m4x30mm)</p> | | |

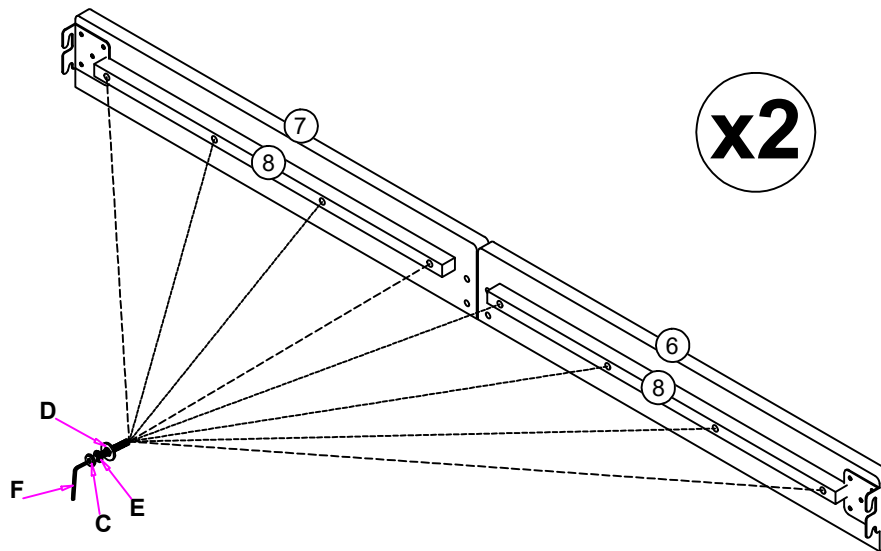
ASSEMBLY INSTRUCTIONS





STEP 1



| | | | | | | | |
|---|--|---|------|---|----------------------|---|------|
| B | Bolt (5/16 "X38mm) |  | 6pcs | E | Spring Washer |  | 6pcs |
| F | Allen Wrench (M4x75mm x32mm) |  | 1pc | D | Flat Washer |  | 6pcs |

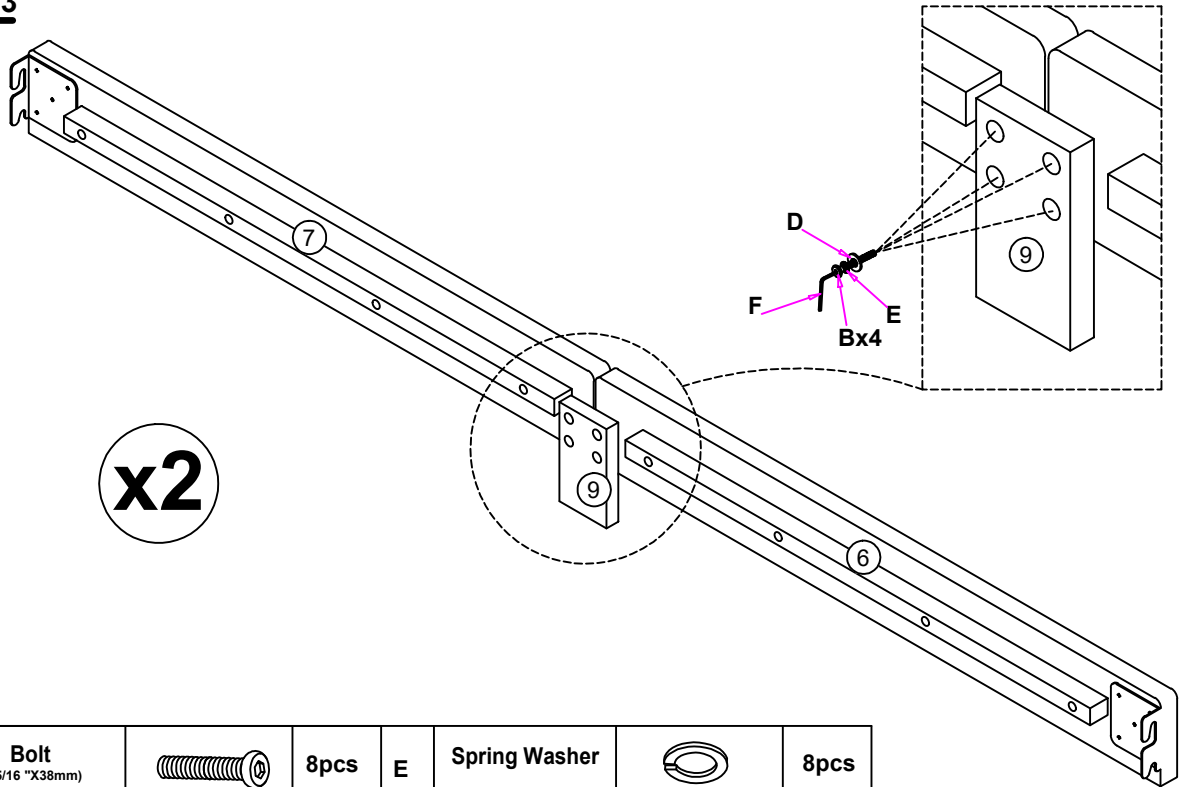
STEP 2







| | | | | | | | |
|---|--|---|-------|---|----------------------|---|-------|
| C | Bolt (5/16 "X50mm) |  | 16pcs | E | Spring Washer |  | 16pcs |
| F | Allen Wrench (M4x75mm x32mm) |  | 1pc | D | Flat Washer |  | 16pcs |

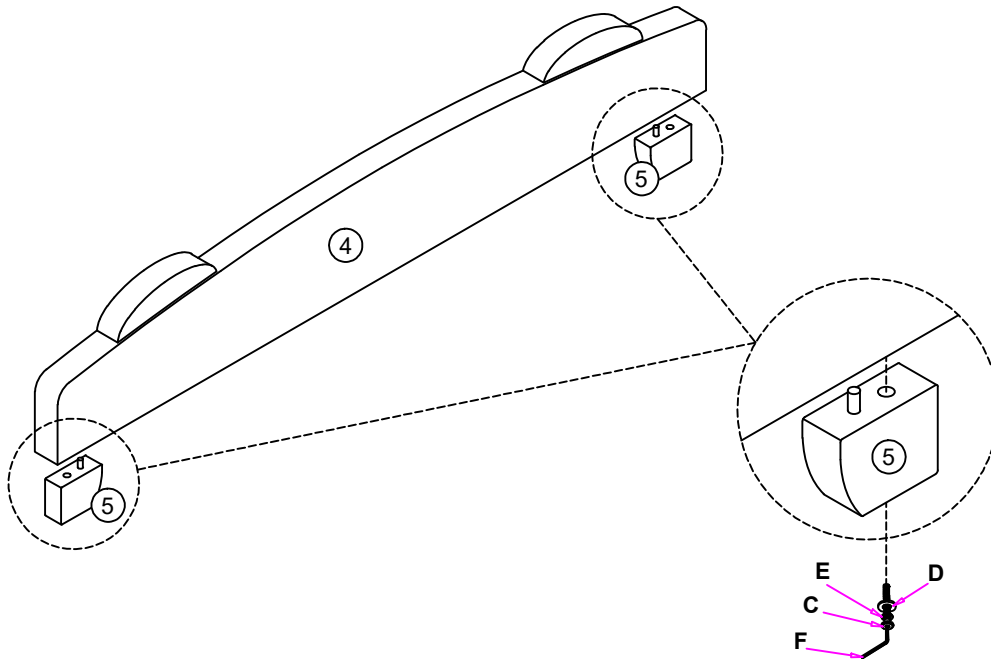
ASSEMBLY INSTRUCTIONS





STEP 3



| | | | | | | | |
|---|--|---|------|---|----------------------|---|------|
| B | Bolt (5/16" X38mm) |  | 8pcs | E | Spring Washer |  | 8pcs |
| F | Allen Wrench (M4x75mm x32mm) |  | 1pc | D | Flat Washer |  | 8pcs |

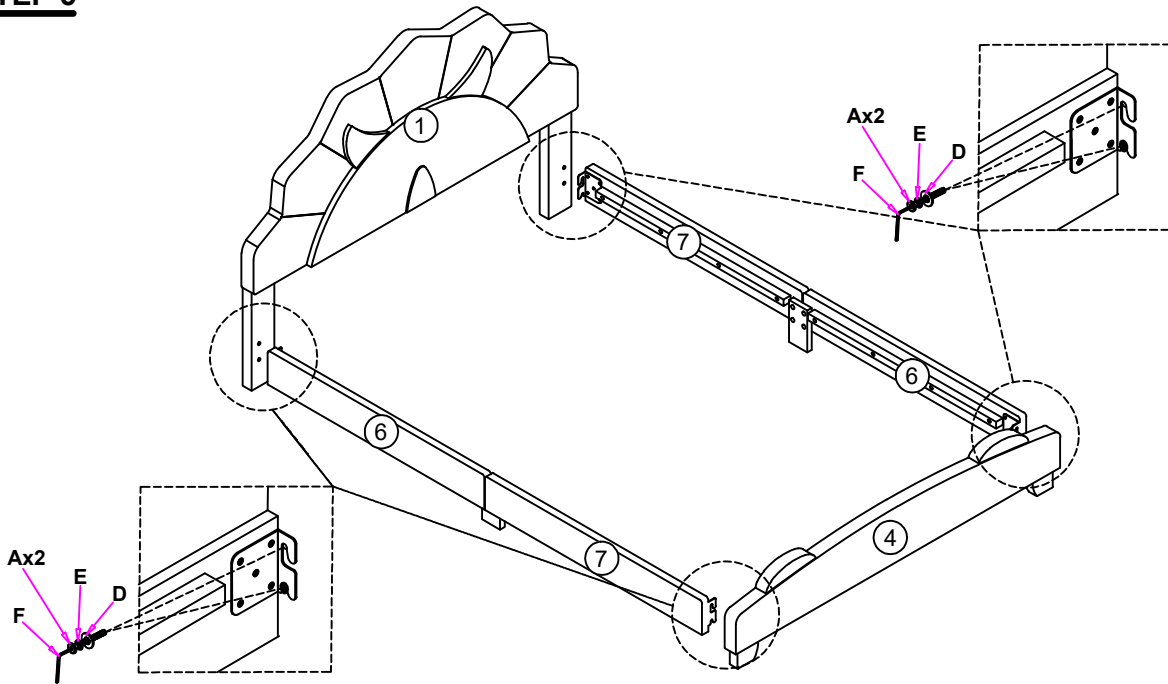
STEP 4







| | | | | | | | |
|---|--|---|------|---|----------------------|---|------|
| C | Bolt (5/16" X50mm) |  | 2pcs | D | Flat Washer |  | 2pcs |
| F | Allen Wrench (M4x75mm x32mm) |  | 1pc | E | Spring Washer |  | 2pcs |

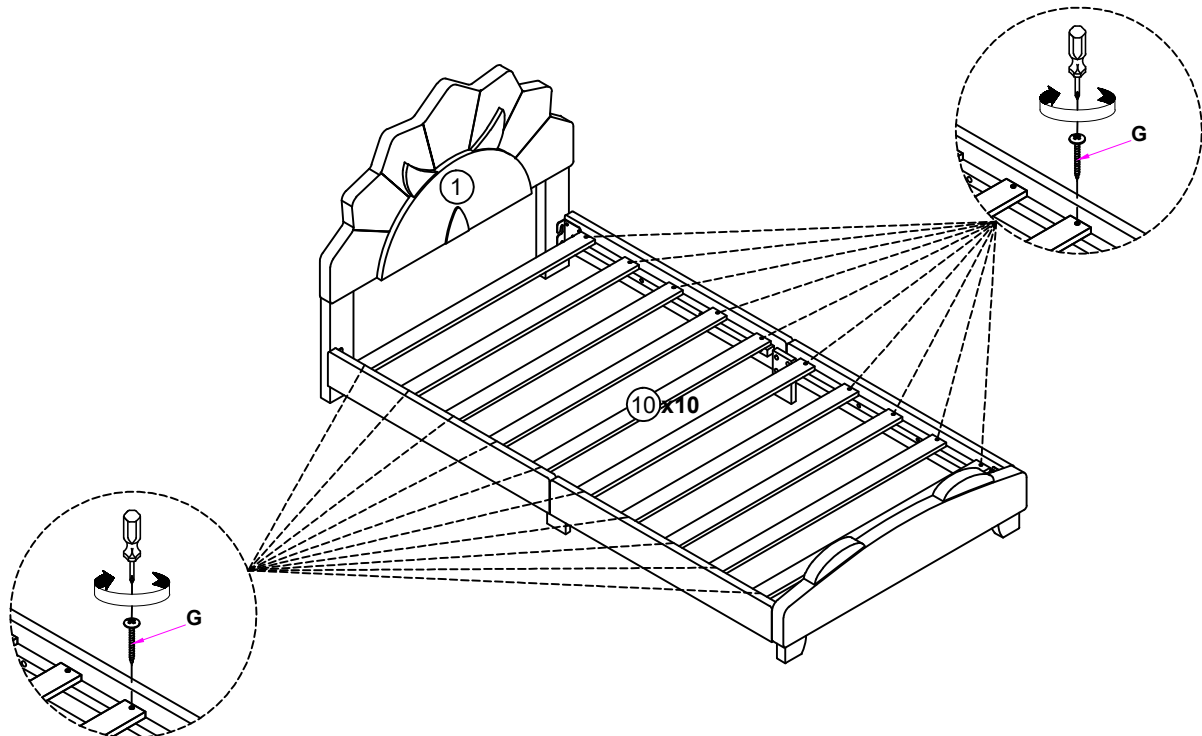
ASSEMBLY INSTRUCTIONS

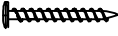
STEP 5



| | | | | | | | |
|---|--|---|------|---|----------------------|---|------|
| A | Bolt (5/16" X 25mm) |  | 8pcs | D | Flat Washer |  | 8pcs |
| F | Allen Wrench (M4x75mm x32mm) |  | 1pc | E | Spring Washer |  | 8pcs |

STEP 6



| | | | |
|---|-------------------------------------|---|-------|
| G | Flat Head Screw (m4x30mm) |  | 20pcs |
|---|-------------------------------------|---|-------|

ASSEMBLY INSTRUCTIONS

STEP 7
COMPLETE

