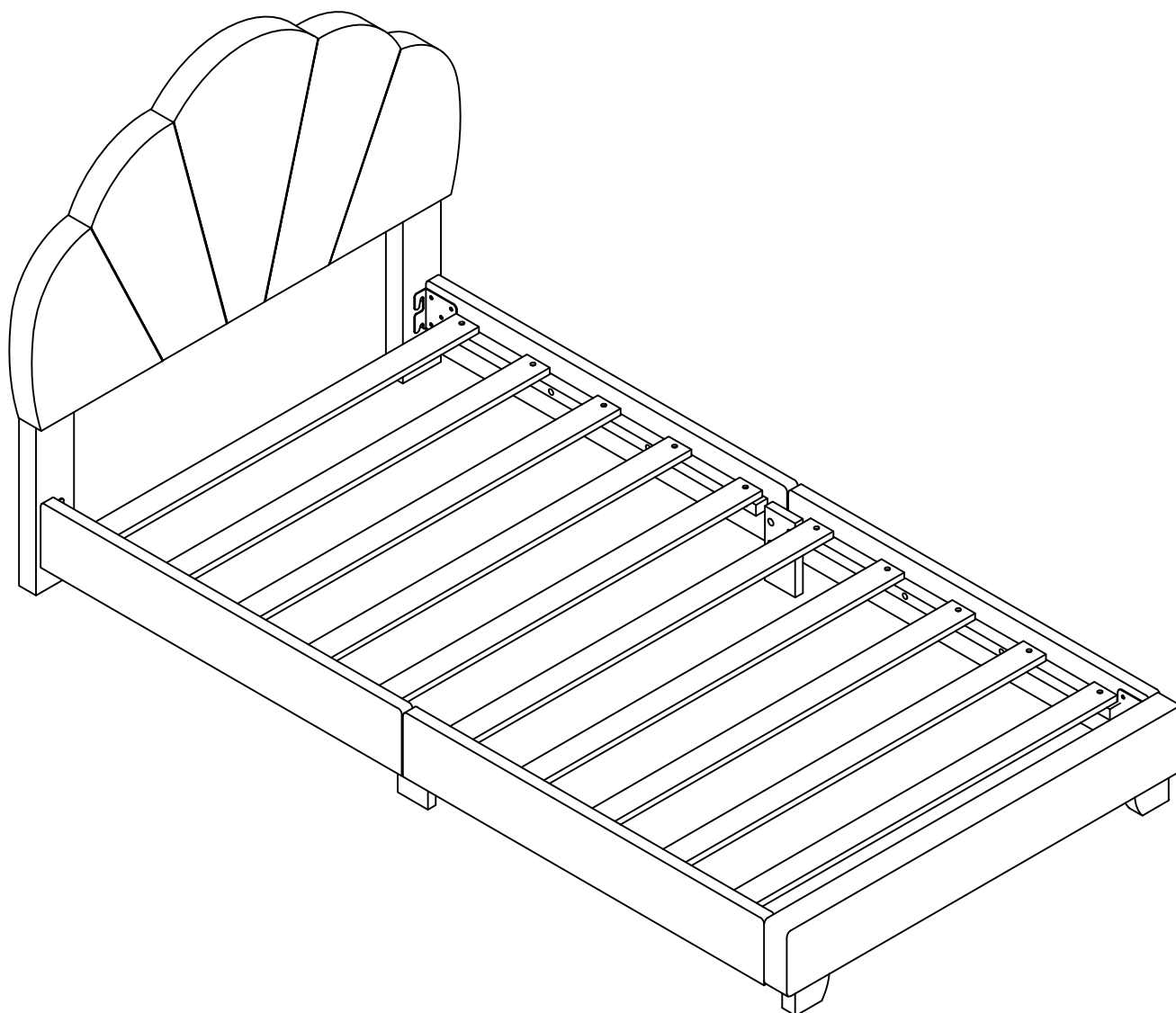


# ASSEMBLY INSTRUCTIONS

WF 317100



## IMPORTANT NOTE

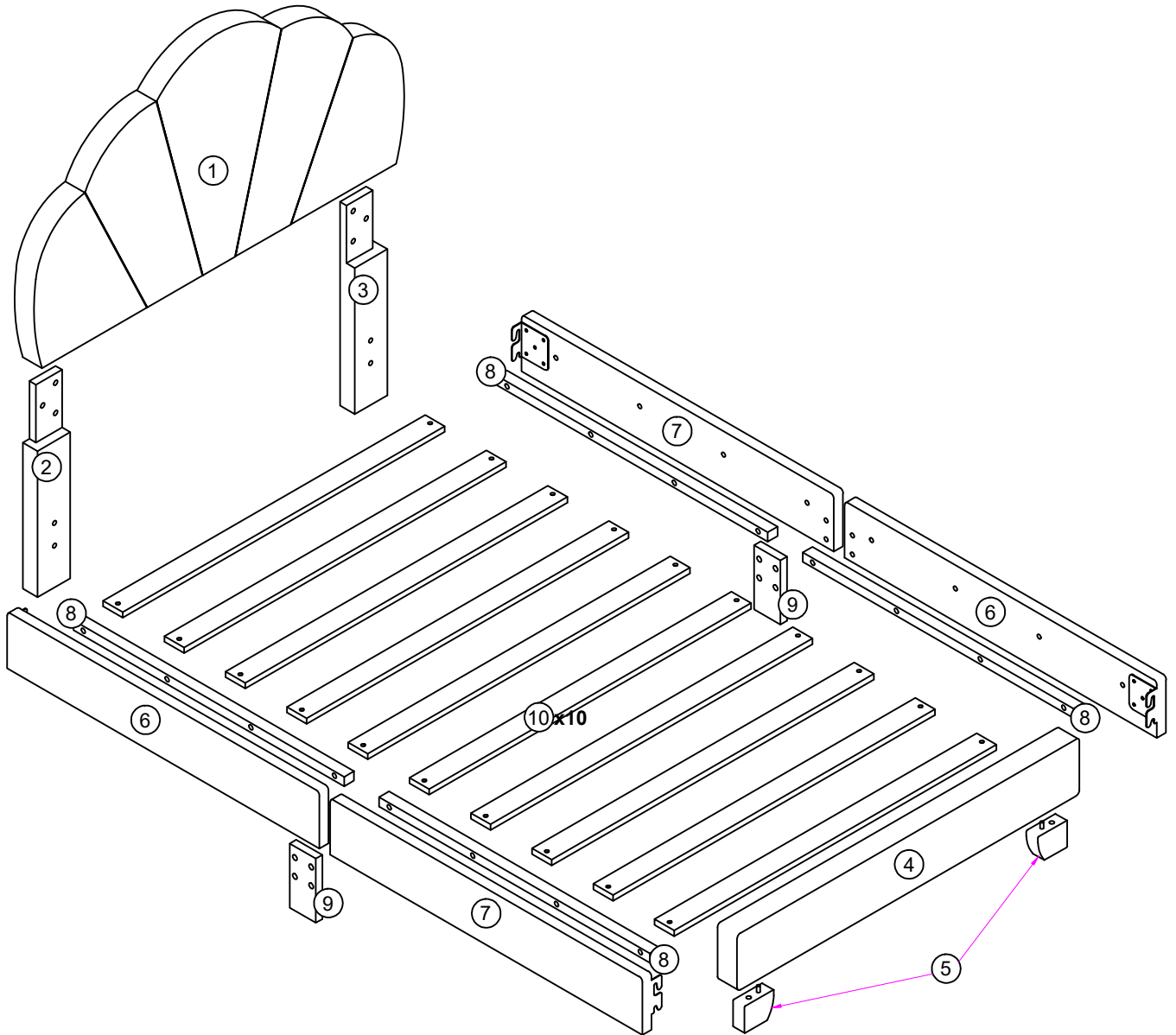
**\*\*PLACE ALL PARTS ON A CLEAN AND SMOOTH SURFACE SUCH AS A RUG OR CARPET TO AVOID THE PARTS FROM BEING SCRATCHED**

**\*\* BEFORE YOU BEGIN , KINDY FOLLOW THE ASSEMBLY INSTRUCTIONS STEP BY STEP**

**\*\*DO NOT TIGHTEN ALL SCREWS AND BOLTS UNTIL THE BED IS FULLY SET-UP**

# ASSEMBLY INSTRUCTIONS

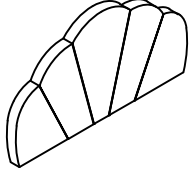


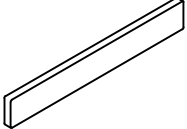
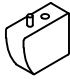
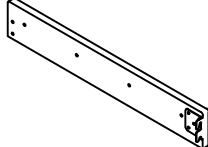
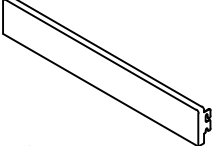
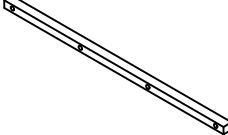


WF 317100





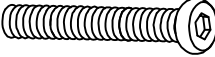




# ASSEMBLY INSTRUCTION

WF 317100

## PART LIST IN: WF 317100

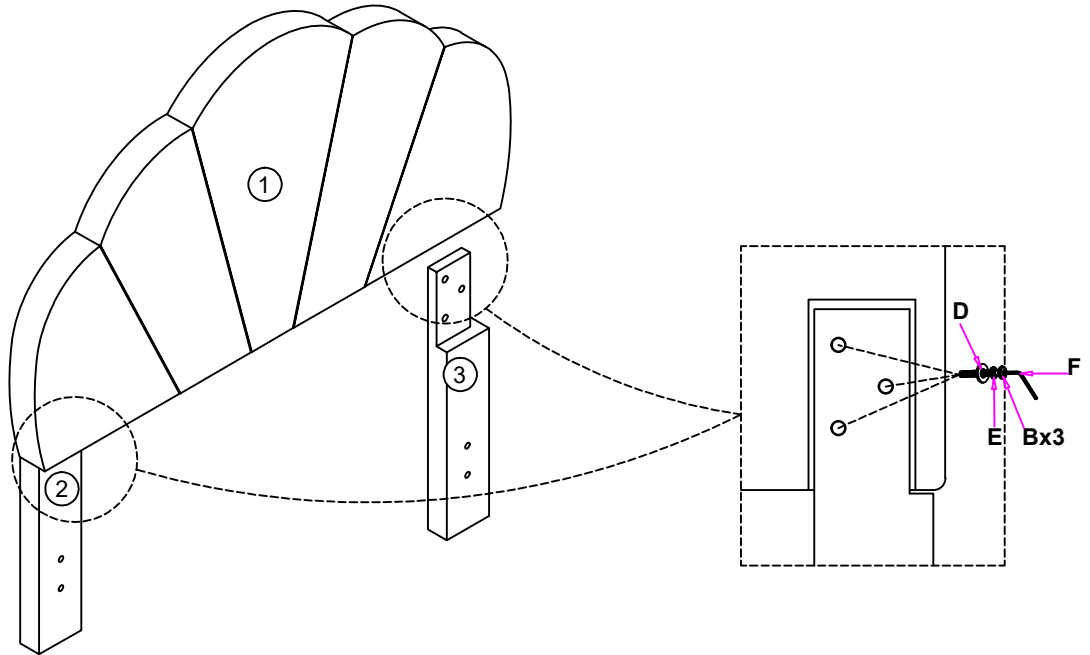
<p>1</p>  <p>Headboard Panel (1 pc)</p>	<p>2</p>  <p>Left Headboard Leg(1 pc)</p>	<p>3</p>  <p>Right Headboard Leg(1 pc)</p>
<p>4</p>  <p>Footboard Panel (1 pc)</p>	<p>5</p>  <p>Legs (2 pcs)</p>	<p>6</p>  <p>Side Rail (2 pcs)</p>
<p>7</p>  <p>Side Rail (2 pcs)</p>	<p>8</p>  <p>Bed Support Bar (4 pcs)</p>	<p>9</p>  <p>Rail support legs (2 pcs)</p>
<p>10</p>  <p>Roll Slat (10 pcs) 985*60*15</p>		





## HARDWARE LIST IN WF 317100

<p>A</p>  <p>Short Bolt (8pcs) (5/16" X25mm)</p>	<p>B</p>  <p>Long Bolt (14pcs) (5/16" X38mm)</p>	<p>C</p>  <p>Long Bolt (18pcs) (5/16" X50mm)</p>
<p>D</p>  <p>Flat Washer (40pcs)</p>	<p>E</p>  <p>Spring Washer (40pcs)</p>	<p>F</p>  <p>Allen Wrench (1pc) (M4x75mmx32mm)</p>
<p>G</p>  <p>Flat Head Screw (20pcs) (m4x30mm)</p>		

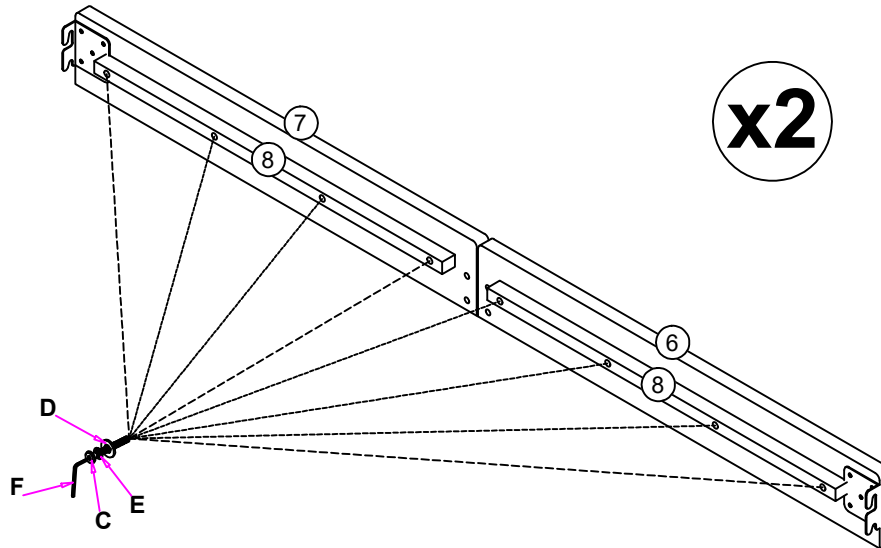
# ASSEMBLY INSTRUCTIONS





## STEP 1



B	<b>Bolt</b> (5/16" X38mm)		6pcs	E	<b>Spring Washer</b>		6pcs
F	<b>Allen Wrench</b> (M4x75mm x32mm)		1pc	D	<b>Flat Washer</b>		6pcs

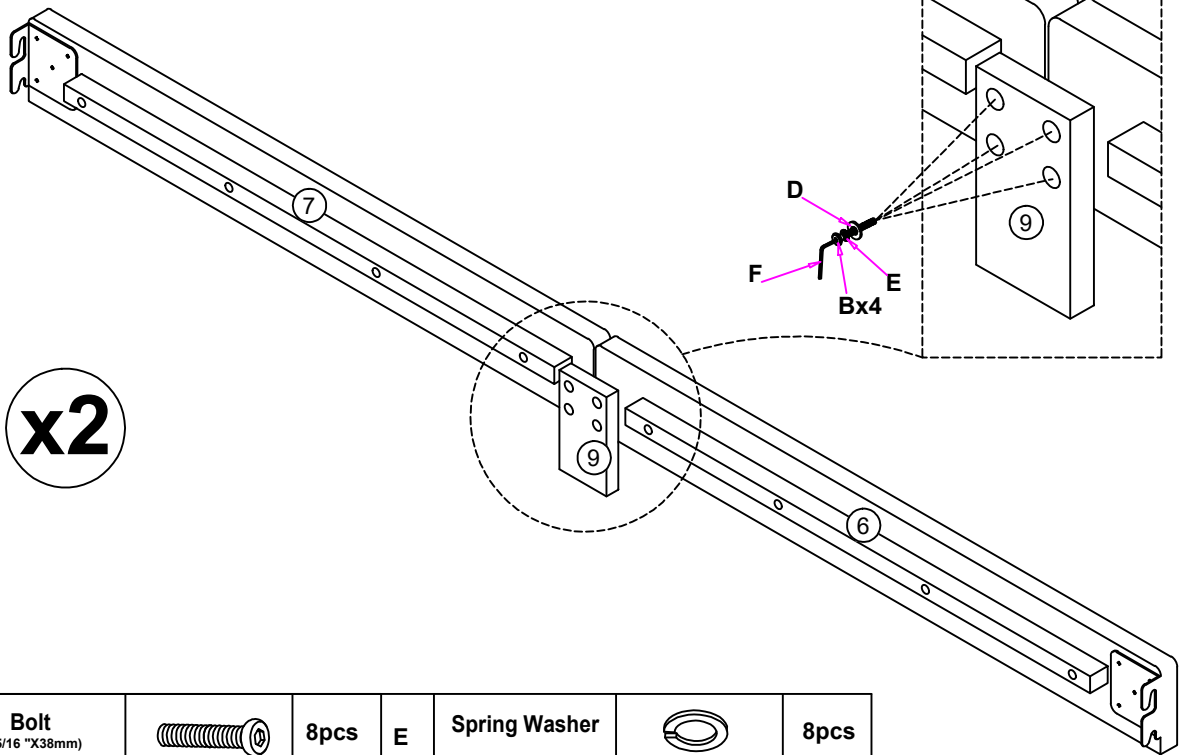
## STEP 2







C	<b>Bolt</b> (5/16" X50mm)		16pcs	E	<b>Spring Washer</b>		16pcs
F	<b>Allen Wrench</b> (M4x75mm x32mm)		1pc	D	<b>Flat Washer</b>		16pcs

# ASSEMBLY INSTRUCTIONS

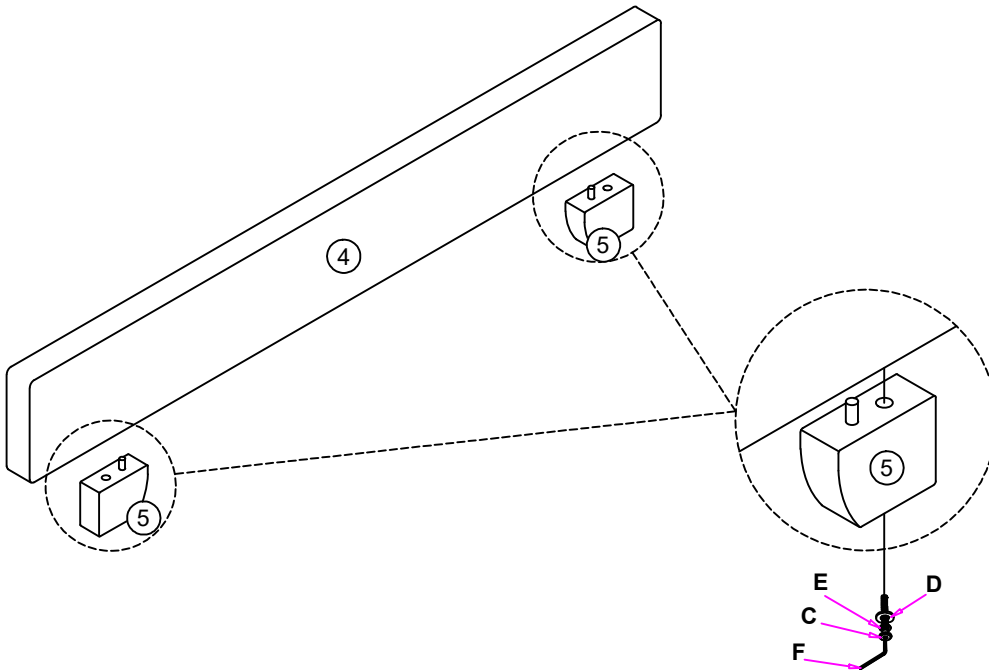
## STEP 3







**x2**

B	<b>Bolt</b> (5/16" X38mm)		8pcs	E	<b>Spring Washer</b>		8pcs
F	<b>Allen Wrench</b> (M4x75mm x32mm)		1pc	D	<b>Flat Washer</b>		8pcs

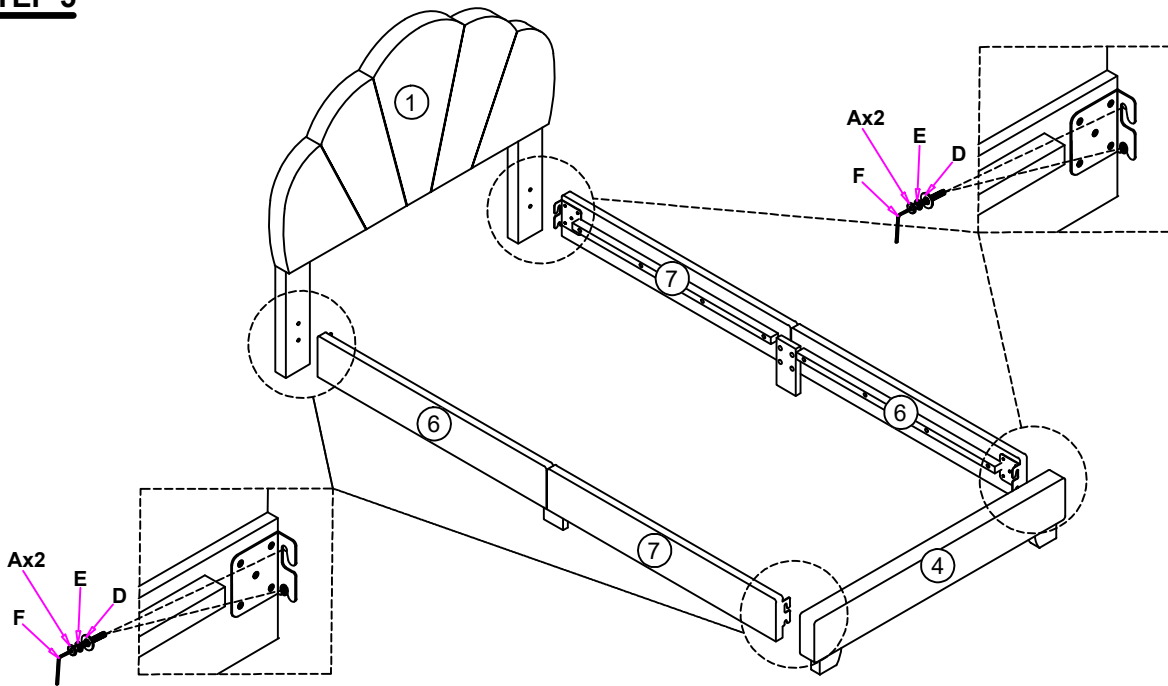
## STEP 4







C	<b>Bolt</b> (5/16" X50mm)		2pcs	D	<b>Flat Washer</b>		2pcs
F	<b>Allen Wrench</b> (M4x75mm x32mm)		1pc	E	<b>Spring Washer</b>		2pcs

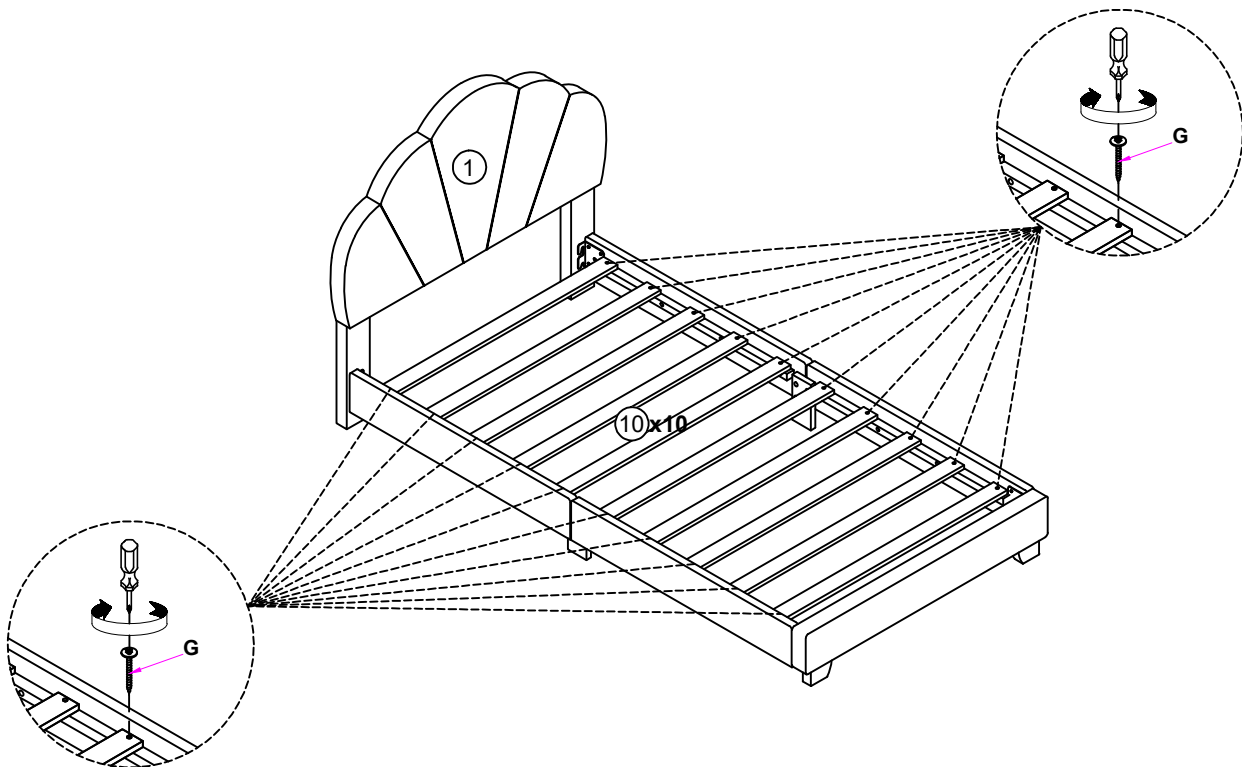
# ASSEMBLY INSTRUCTIONS

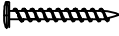
## STEP 5



A	<b>Bolt</b> (5/16" X 25mm)		8pcs	D	<b>Flat Washer</b>		8pcs
F	<b>Allen Wrench</b> (M4x75mm x32mm)		1pc	E	<b>Spring Washer</b>		8pcs

## STEP 6



G	<b>Flat Head Screw</b> (m4x30mm)		20pcs
---	-------------------------------------	---	-------

# ASSEMBLY INSTRUCTIONS

**STEP 7**  
**COMPLETE**

