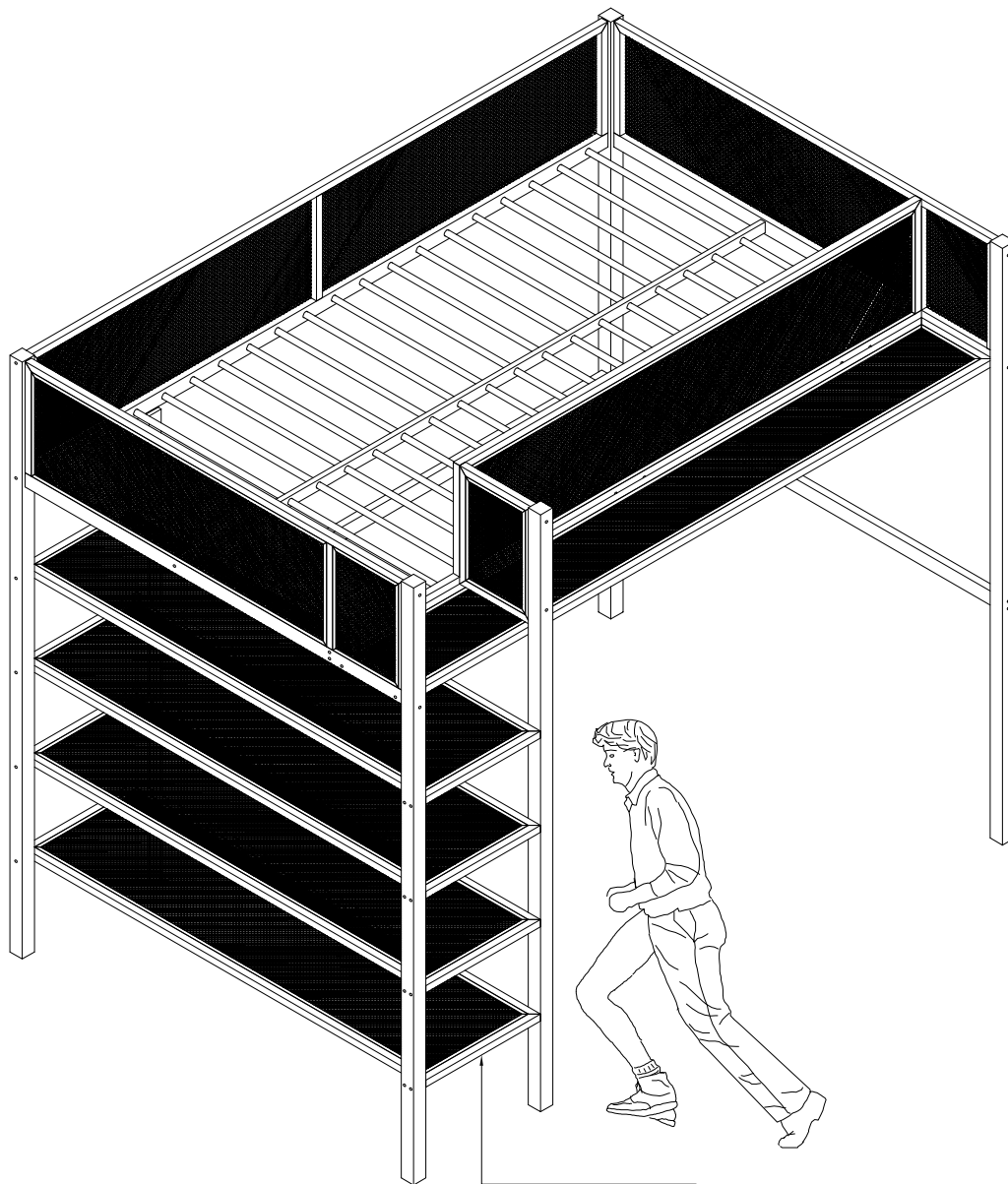


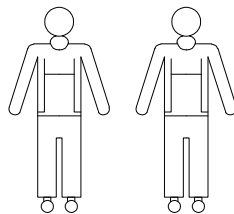
# ASSEMBLY INSTRUCTION

MF303244 / MF303245



shelves for making  
stairs up and down

Minimum no. 2 of people  
recommended to assemble  
this product: Approx.  
assembly time: 60 mins





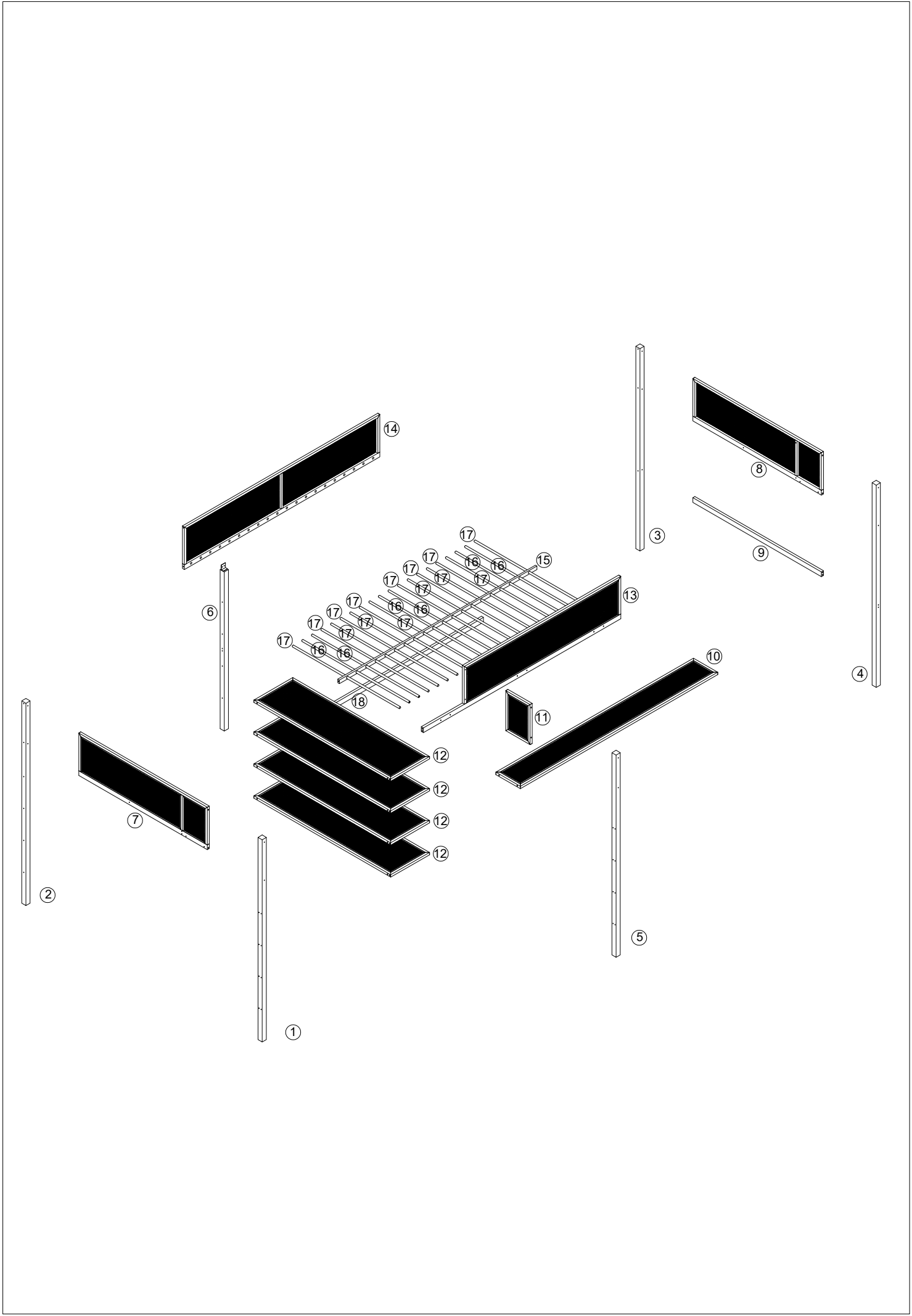
## SAFETY WARNING








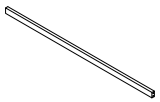
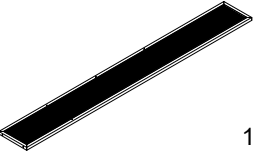

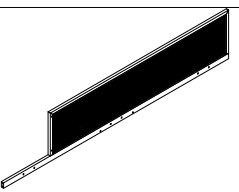
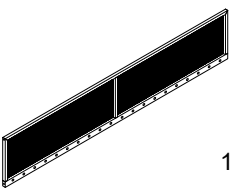



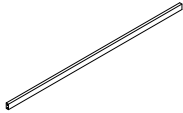
1. This bed is designed for use only with mattress(es) meeting the following specifications on the upper bunk

Bed type	Length	Width	Thickness
Full Standard	74" - 75"	38.5"	6" Max


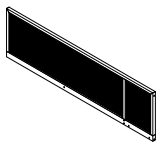
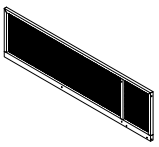
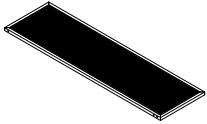
2. Replacement parts, including additional guardrails, may be obtained from any of our (GIGACLOUD TECHNOLOGY(USA) INC. 18961 ARENTH A VENUE CITY OF INDUSTRY, CA, 91748) dealers
3. Follow the information on the warnings appearing on the upper bunk bed end structure and on the carton. Do not remove warning label from bed.
4. Always use the recommended size mattresses or mattress supports, or both, to help prevent the likelihood of entrapment or falls.
5. Surface of mattress must be at least 5" (127mm) below the upper edge of guardrails.
6. Do not allow children under 6 years of age to use the upper bunk.
7. Periodically check and ensure that the guardrail, ladder, and other components are in their proper position, free from damage, and that all connectors are tight.
8. Do not allow horseplay on or under the bed and prohibit jumping on the bed.
9. Always use the ladder for entering and leaving the upper bunk.
10. Do not use substitute part. Contact the manufacturer or dealer for replacement part.
11. Use of a night light may provide added safety precaution for a child using the upper bunk.
12. Always use guardrails on both long sides of upper bunk. If the bunk bed will be placed next to the wall, the guardrail that runs the full length of the bed should be placed against the wall to prevent entrapment between the bed and wall.
13. The use of water or sleep flotation mattresses is prohibited.
14. **STRANGULATION HAZARD** - Never attach or hang items to any part of the bunk bed that are not designed for use with the bed; for example, but not limited to, hook, belts and jump ropes.
15. Keep these instructions for future reference.
16. Prohibit more than one person on upper bunk.
17. We recommend assembling your bunk bed on the shipping carton to protect your floor or carpet.
18. Be certain all staples are out the box before beginning assembly on the shipping carton.



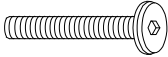
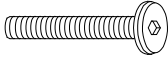

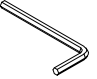
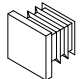
# PART LIST 303245

1		1PC	2		1PC	3		1PC
4		1PC	5		1PC	9		1PC
10		1PC	11		1PC	13		8PCS
14		1PC	15		1PC	16		6PCS
17		14PCS	18		1PC			

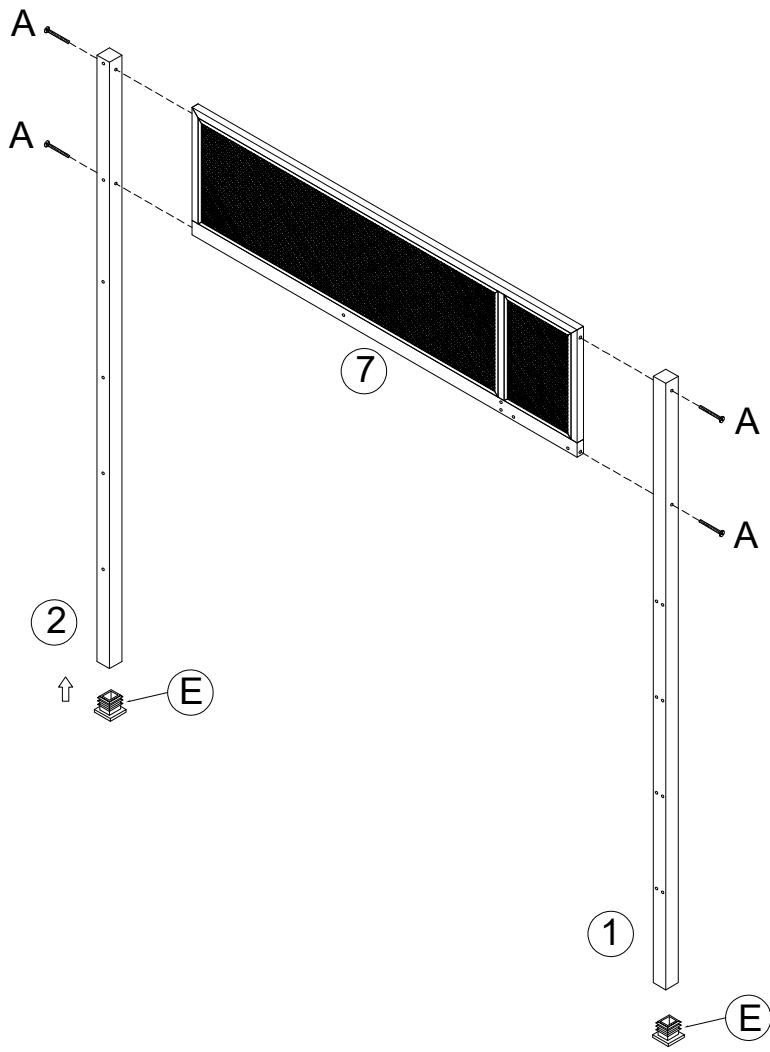
# PART LIST 303244

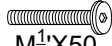

6		1PC	7		1PC	8		1PC
12		4PCS						

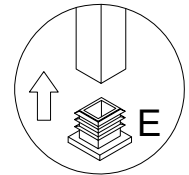
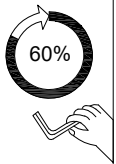
# HARDWARE LIST 303245

A		44PCS M $\frac{1}{4}$ "X50	B		16PCS M $\frac{1}{4}$ "X35	C		14PCS M $\frac{1}{4}$ "X15	D		1PC M4X23X57
E		6PCS #40x40x16									

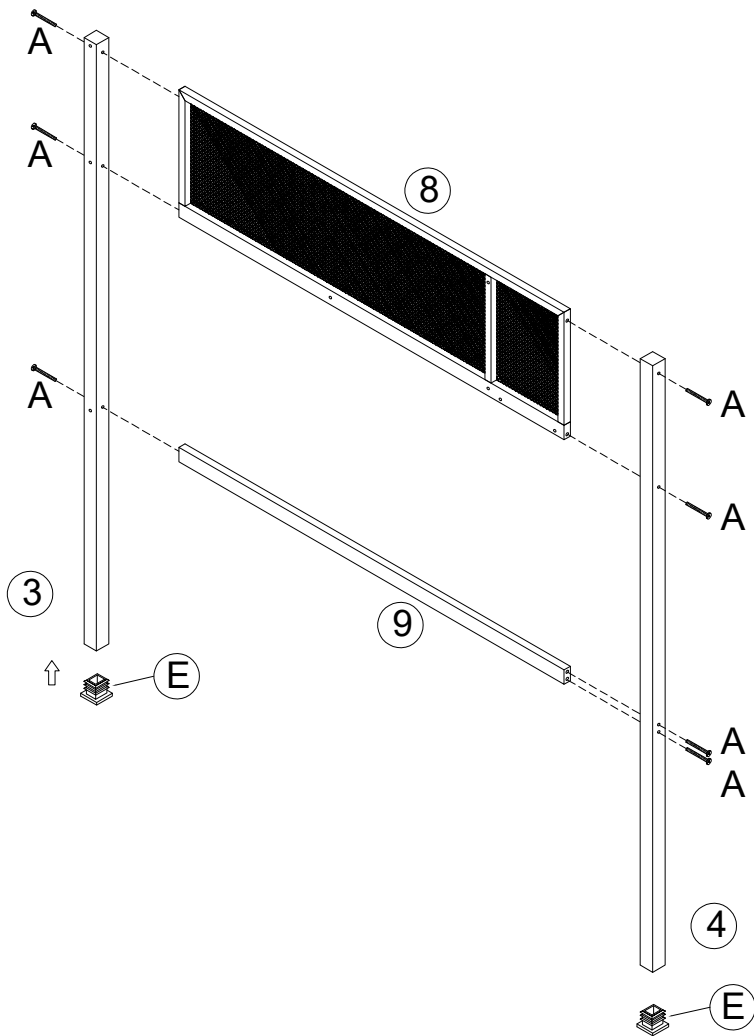
# STEP 1





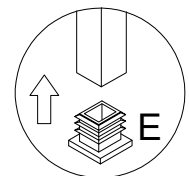
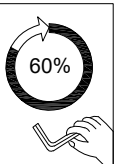
A	E
 M $\frac{1}{4}$ "X50	 #40x40x16
4 PCS	2 PCS




# STEP 2

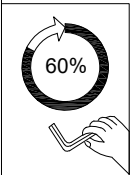
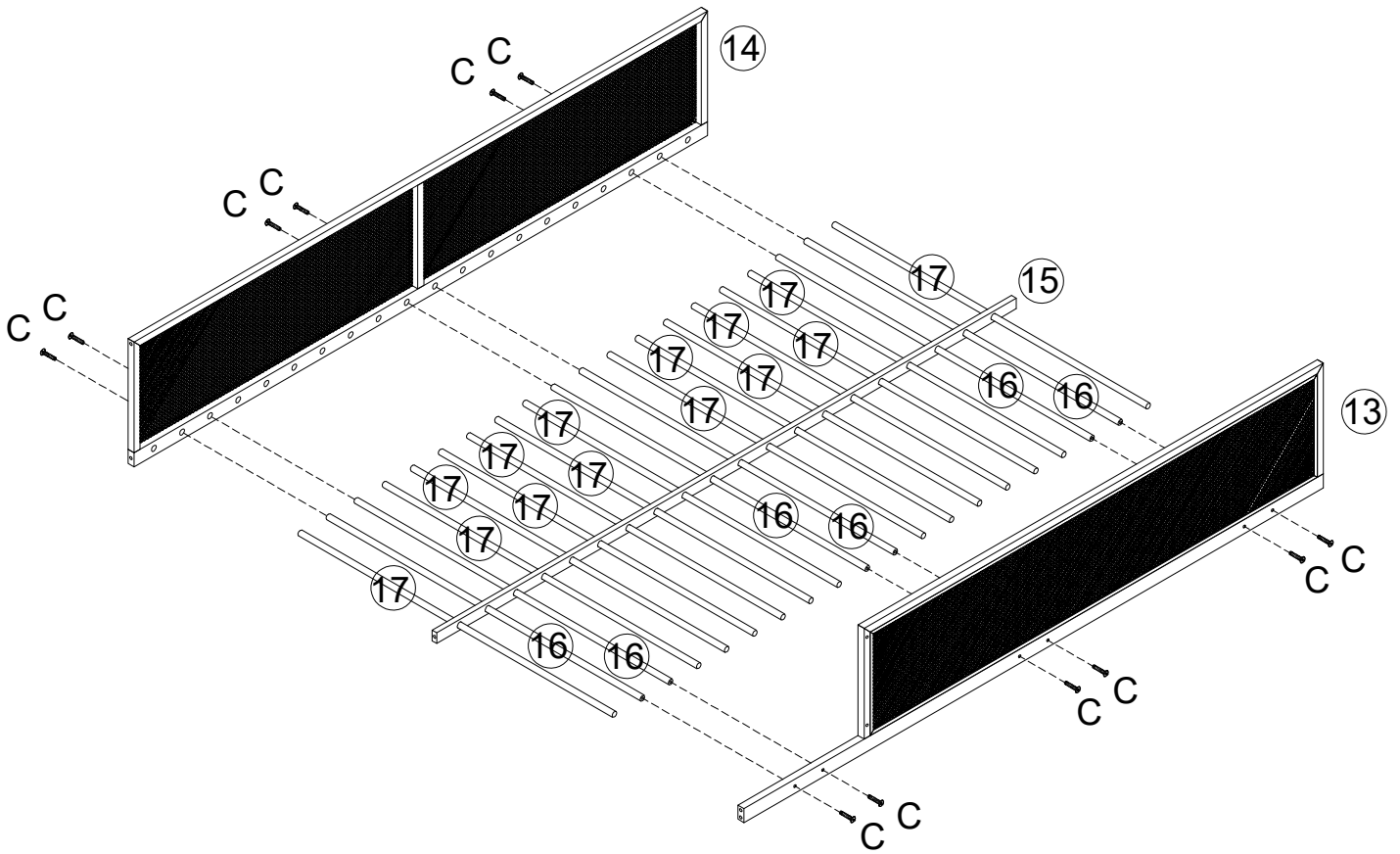


A	E
 M $\frac{1}{4}$ "X50	 #40x40x16
7 PCS	2 PCS

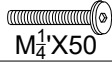
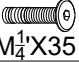


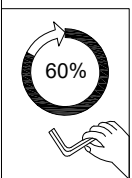
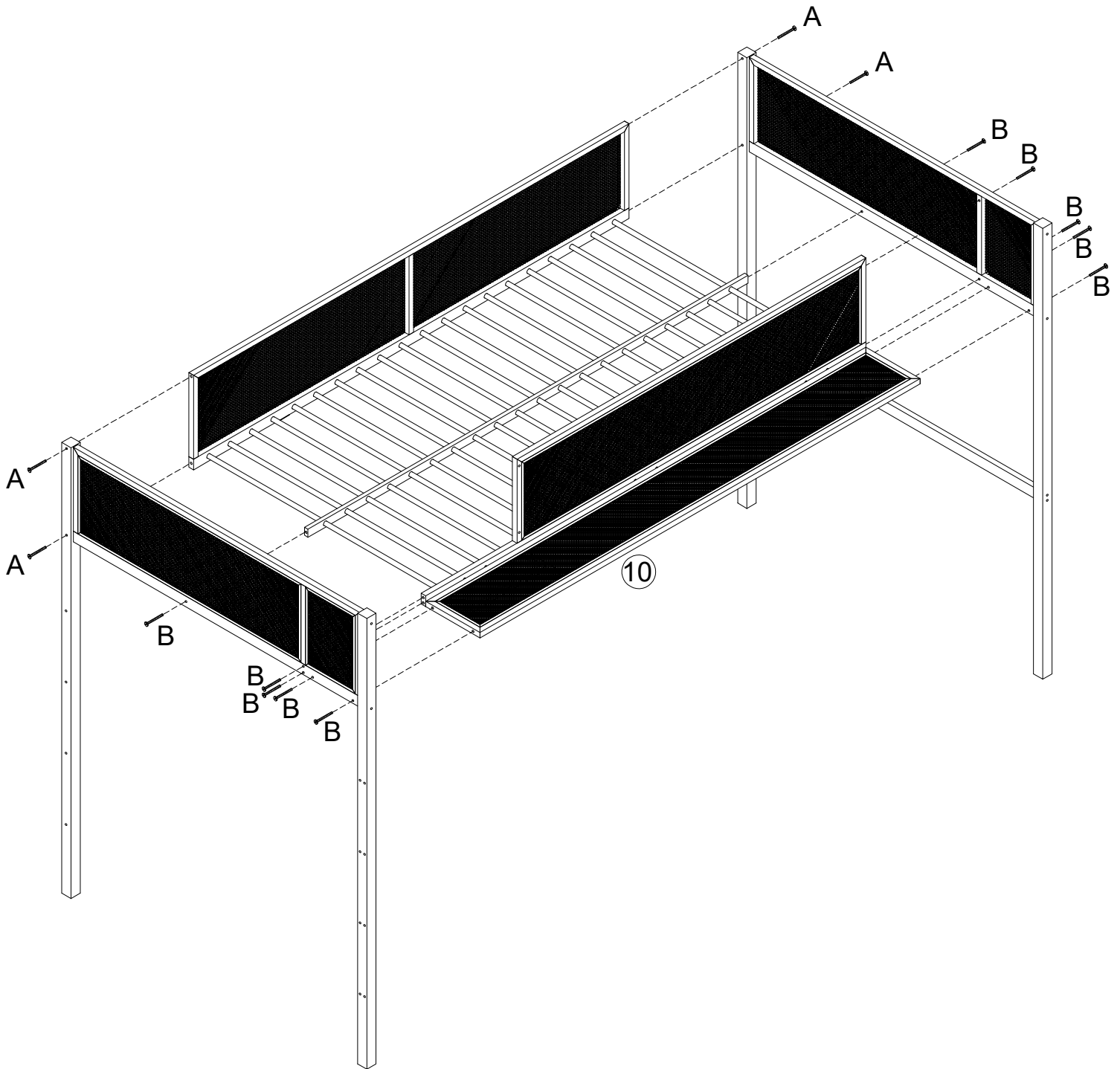
# STEP 3

C
 M $\frac{1}{4}$ "X15
12 PCS

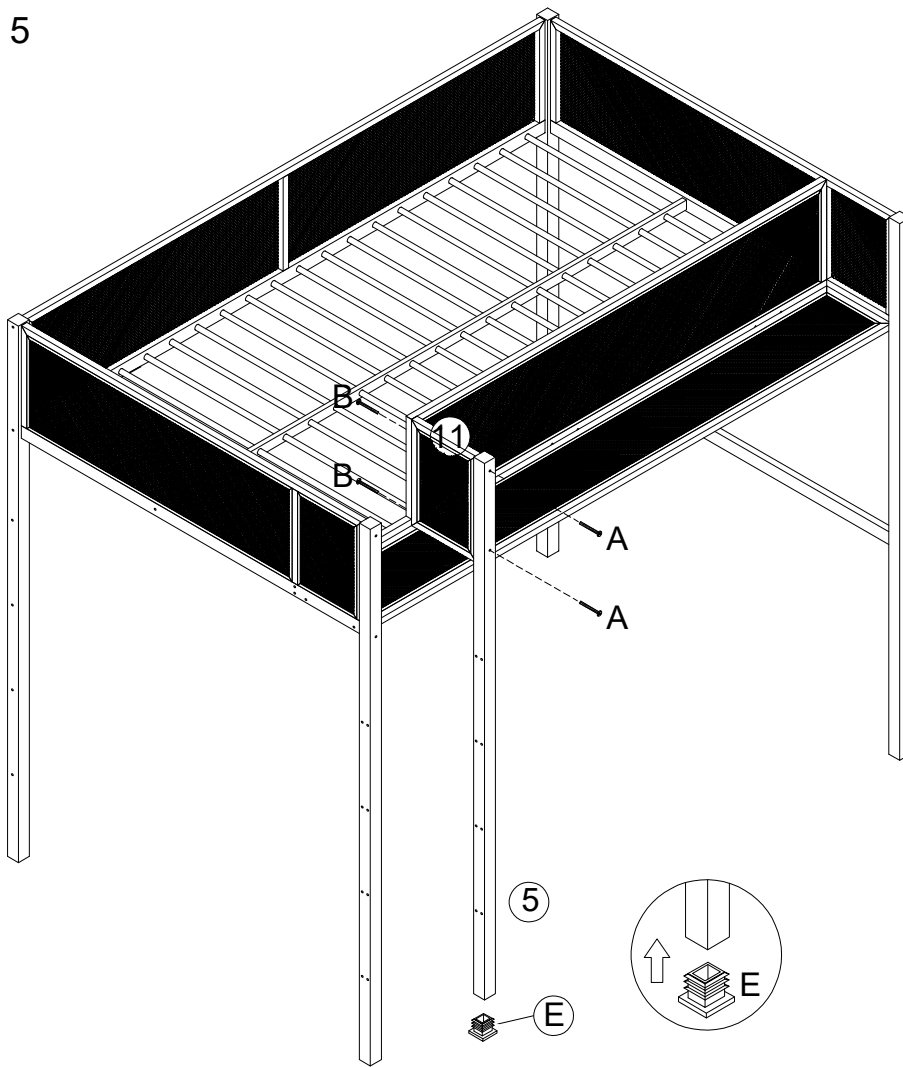


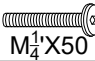
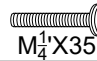

# STEP 4

A	B
 M <sub>4</sub> ×50	 M <sub>4</sub> ×35
4 PCS	10 PCS

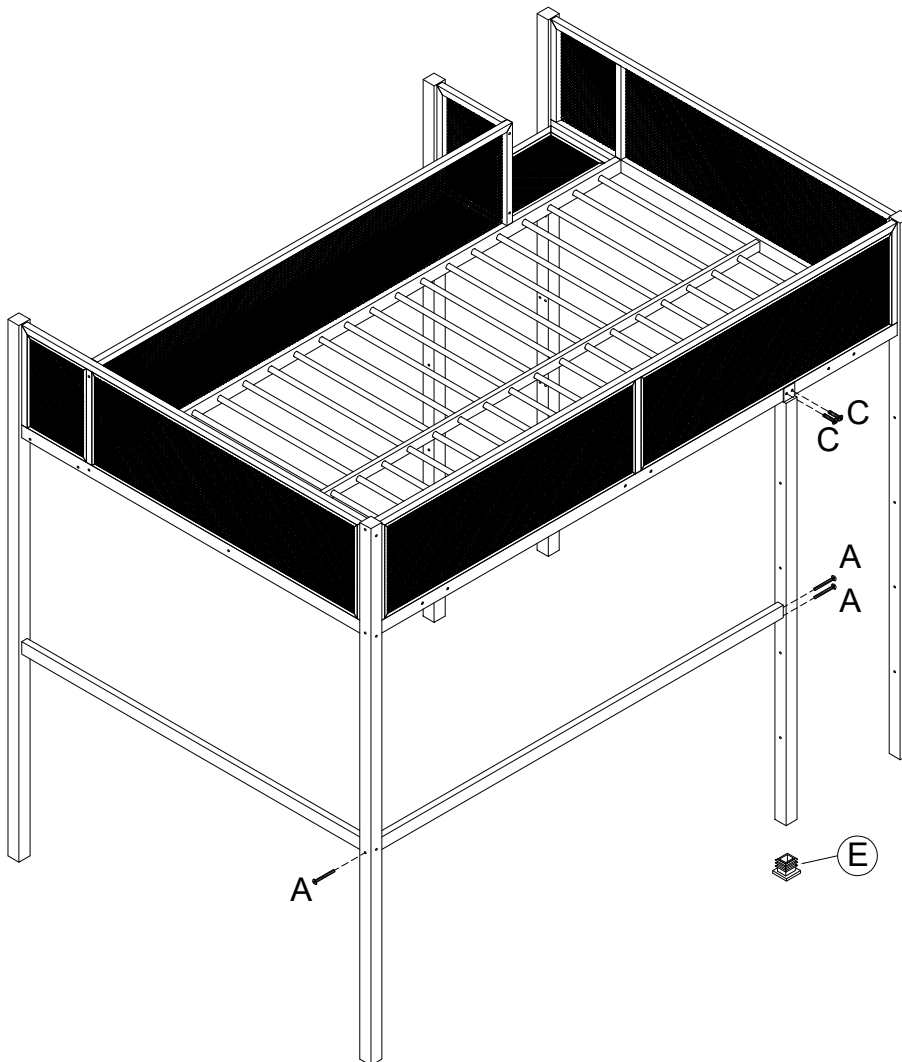


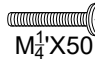
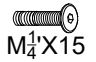

# STEP 5



A	B	E
 M $\frac{1}{4}$ "X50	 M $\frac{1}{4}$ "X35	 #40x40x16
2 PCS	2 PCS	1 PC


# STEP 6

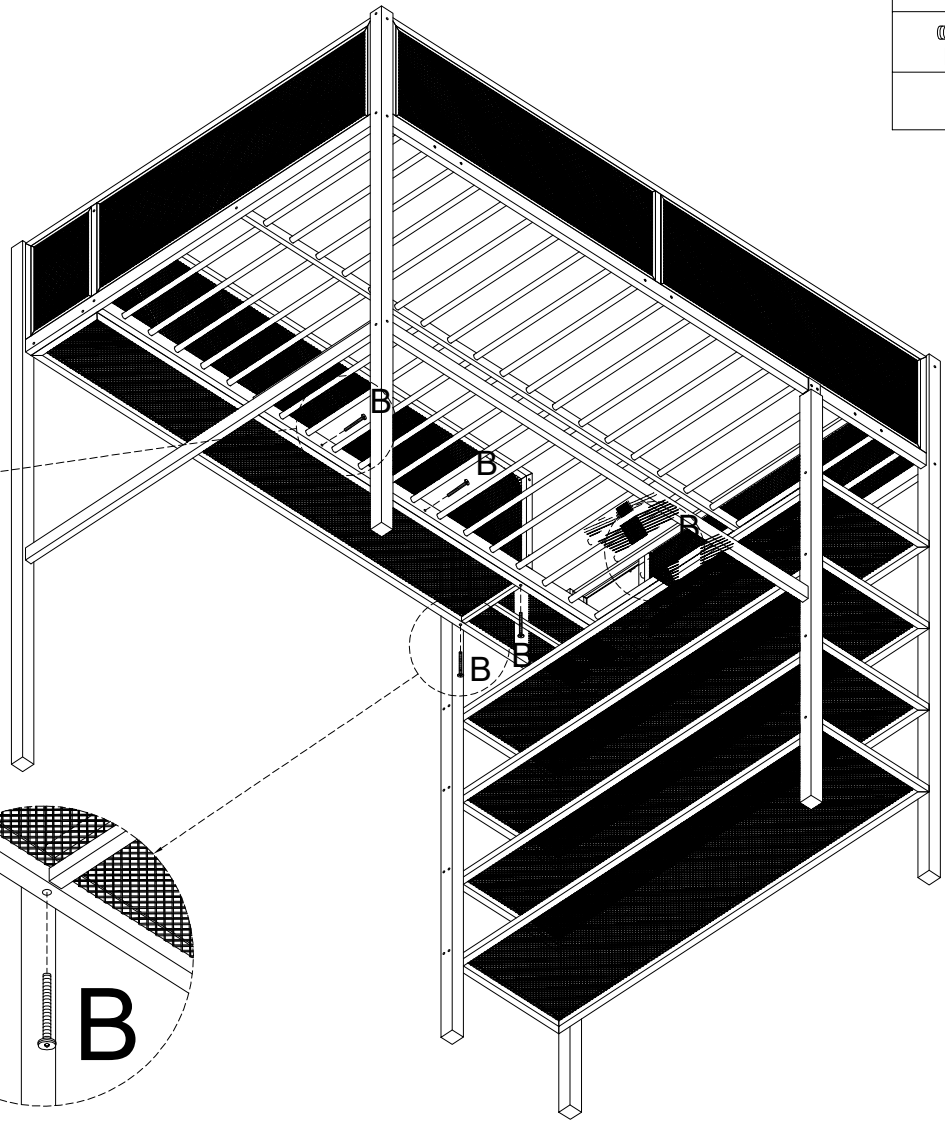
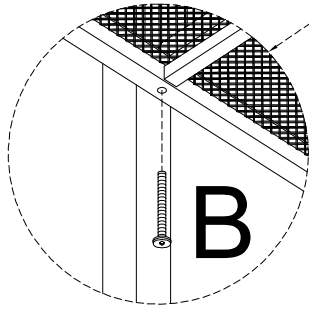
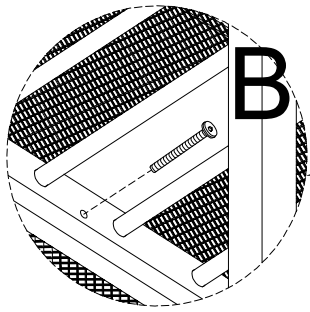


A	C	E
 M $\frac{1}{4}$ "X50	 M $\frac{1}{4}$ "X15	 #40x40x16
3 PCS	2 PCS	1 PC

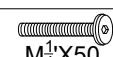


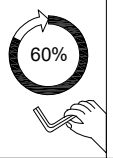
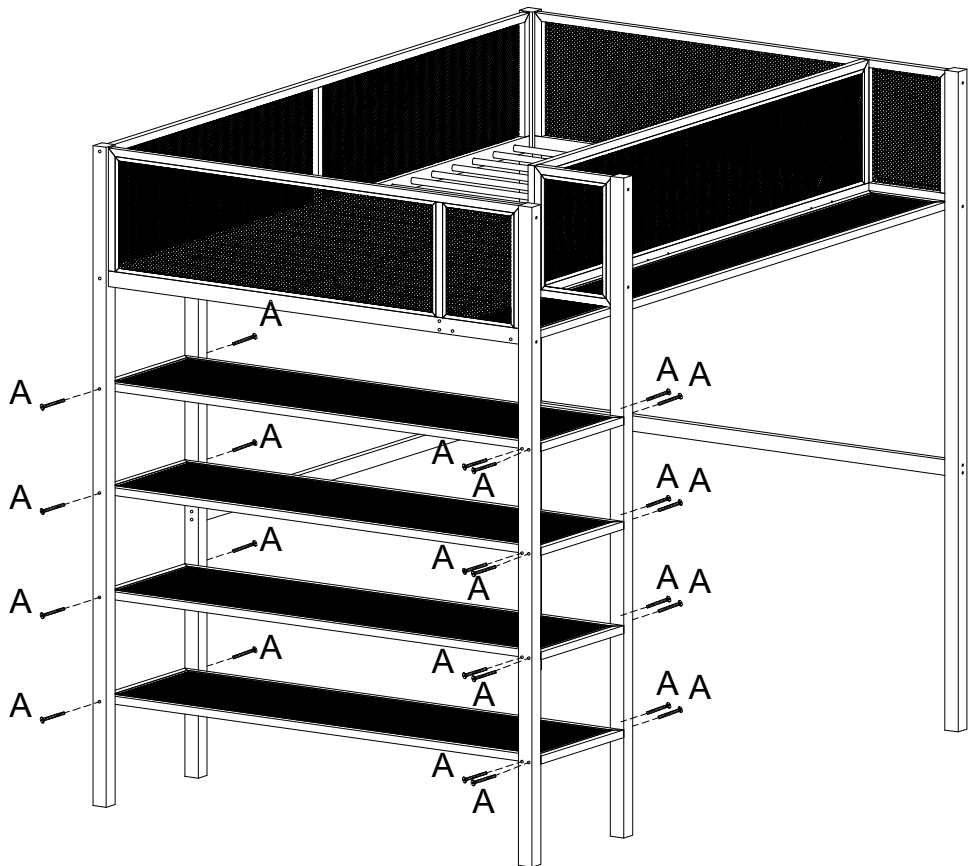
# STEP 7

B
 M <sub>4</sub> X35
4 PCS



# STEP 8

A
 M <sub>4</sub> X50
24 PCS



# STEP 9

