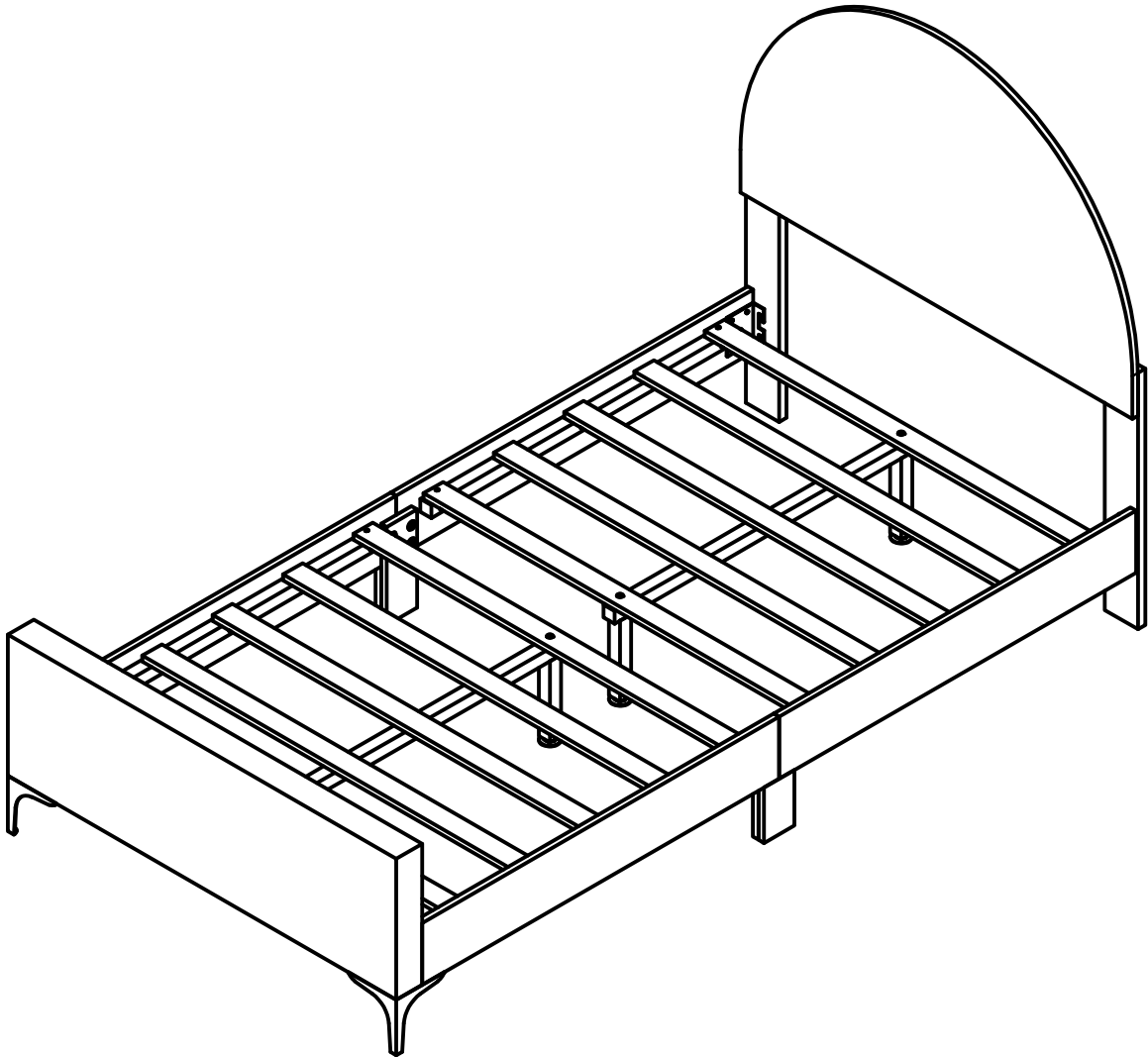
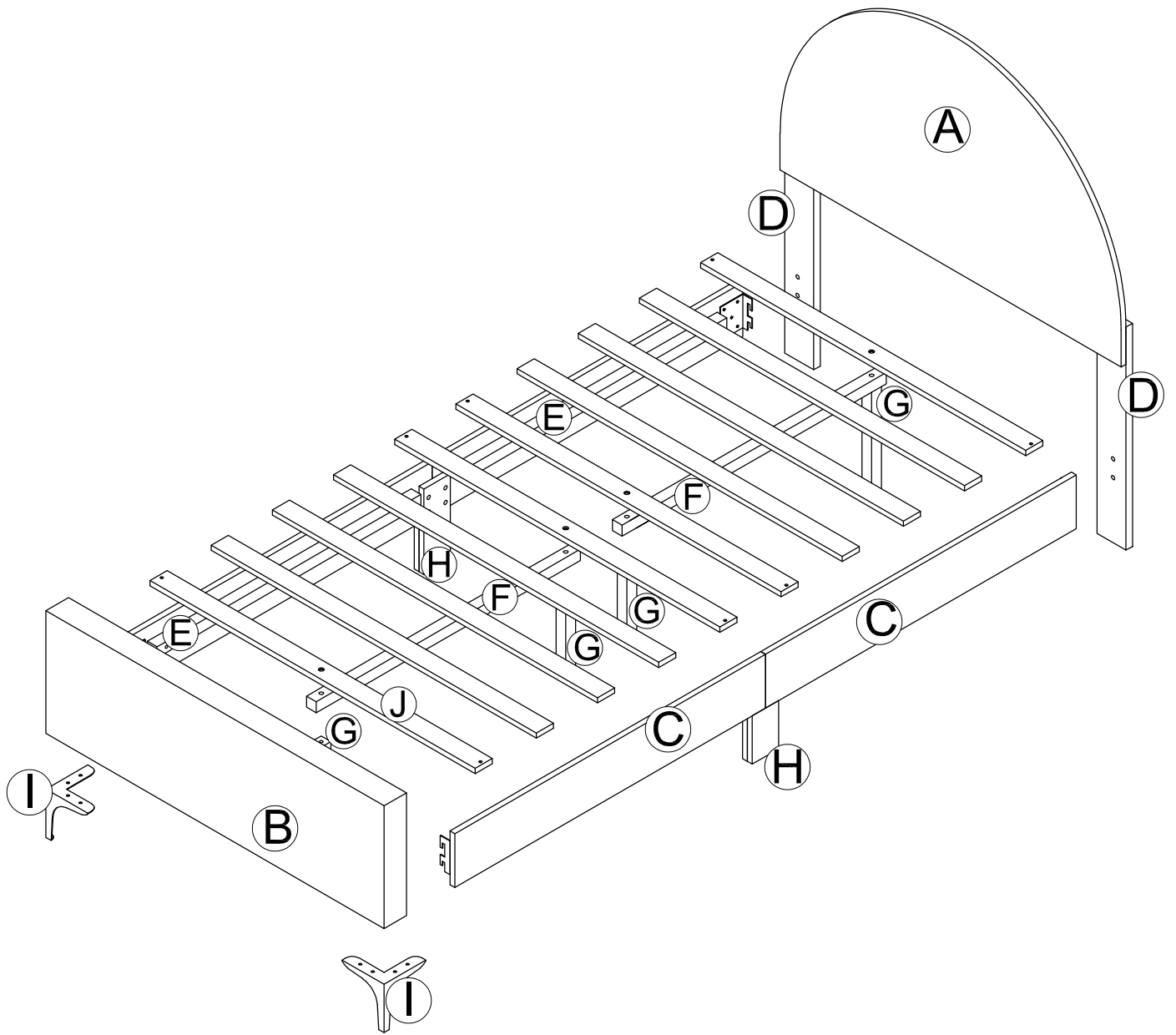


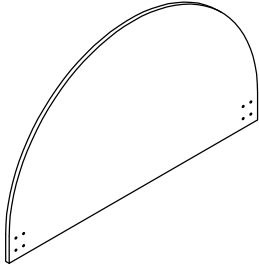
ASSEMBLY INSTRUCTION (WF314748)





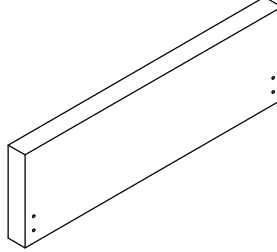
Part List (WF314748)

A



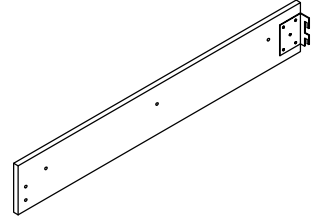
HEADBOARD - 1pc

B



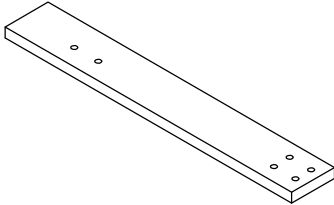
FOOTBOARD - 1pc

C



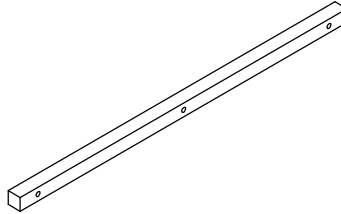
SIDE PANEL - 4pcs

D



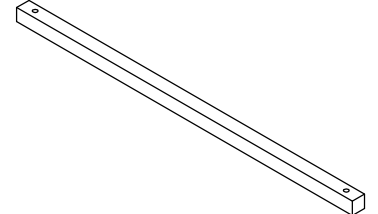
HEADBOARD LEG - 2pcs

E



SIDE WOOD BASE - 4pcs

F



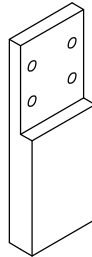
CENTER WOOD BASE - 2PCS

G



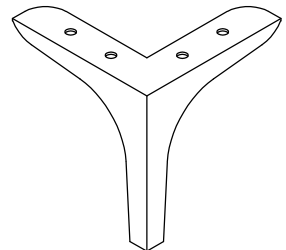
WOODEN SUPPORT LEG - 4pcs

H



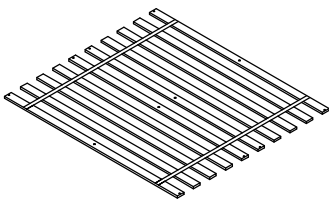
SIDE PANEL SUPPORT - 2pcs

I



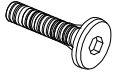
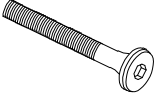
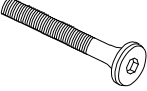
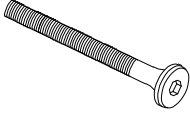
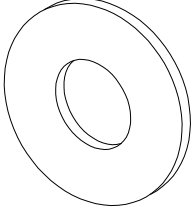
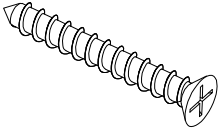
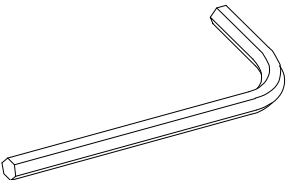
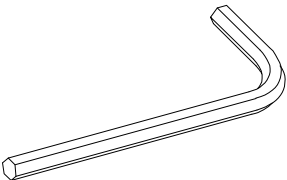
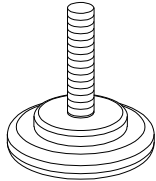
METAL LEG - 2pcs

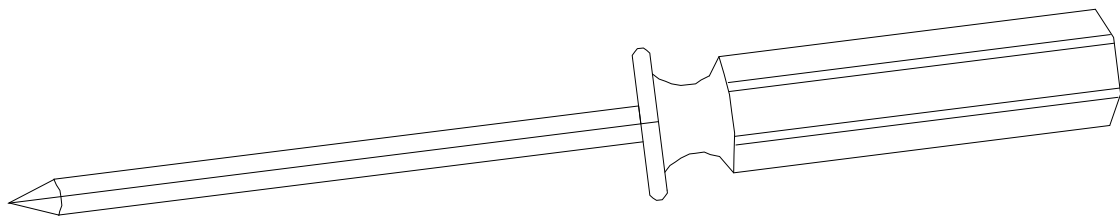
J



SLAT - 1SET/10pcs

Hardware List (WF314748)

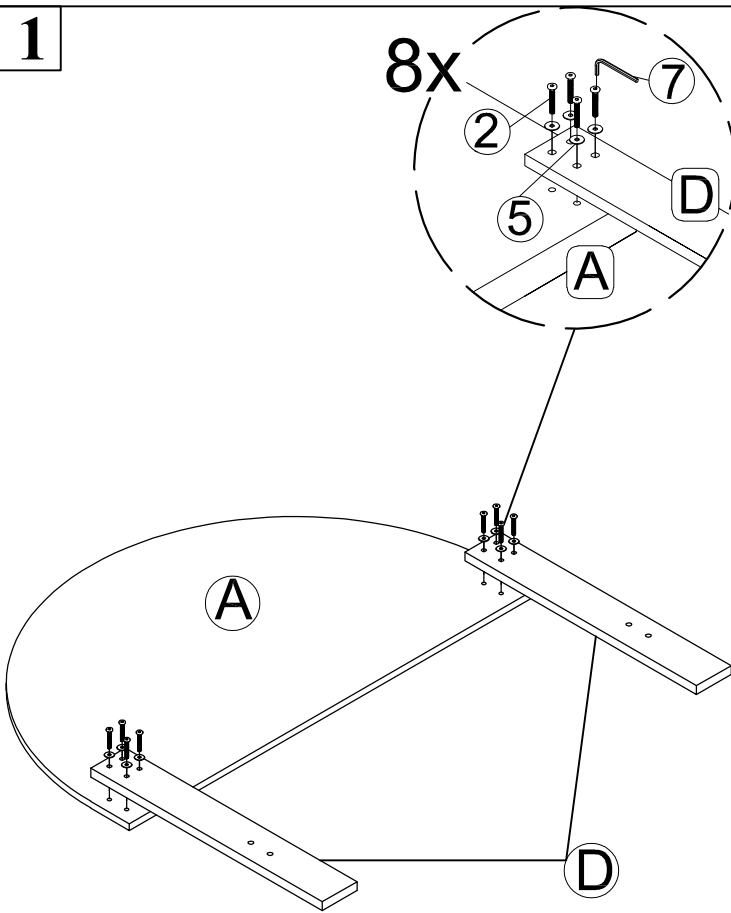
<p>1</p>  <p>JCBB M8 x 16mm (8 pcs)</p>	<p>2</p>  <p>JCBC M6 x 35mm (16 pcs)</p>	<p>3</p>  <p>JCBC M6 x 45mm (12 pcs)</p>
<p>4</p>  <p>JCBC M6 x 60mm (4 pcs)</p>	<p>5</p>  <p>M6 Flat Washer (28 pcs)</p>	<p>6</p>  <p>CSK SCREW M4 x 30mm (18pcs)</p>
<p>7</p>  <p>Allen Key M4 (1pcs)</p>	<p>8</p>  <p>Allen Key M5 (1pcs)</p>	<p>9</p>  <p>BASE GLIDE (4pcs)</p>



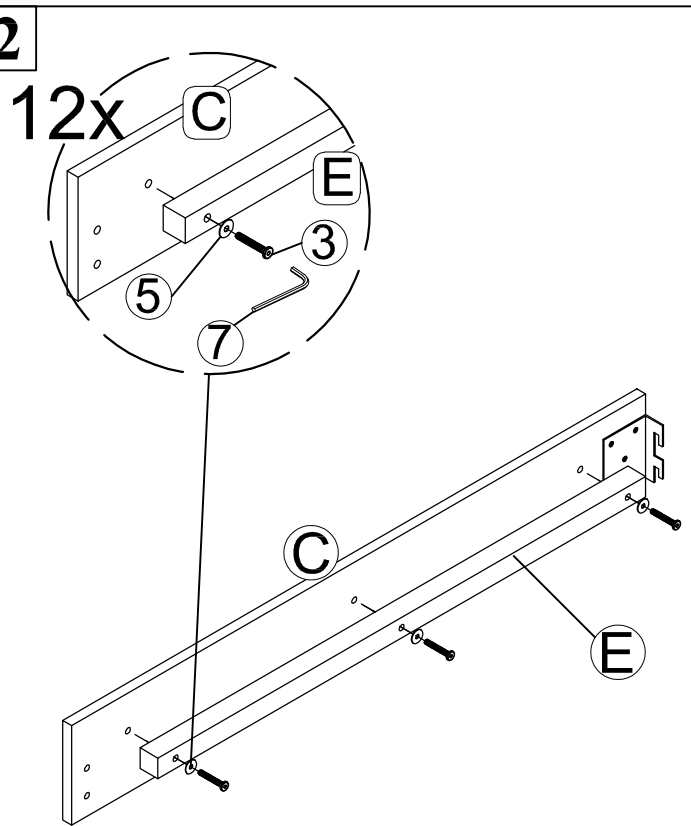
Assembly Tools
Required (Not Included)

Assembly Step

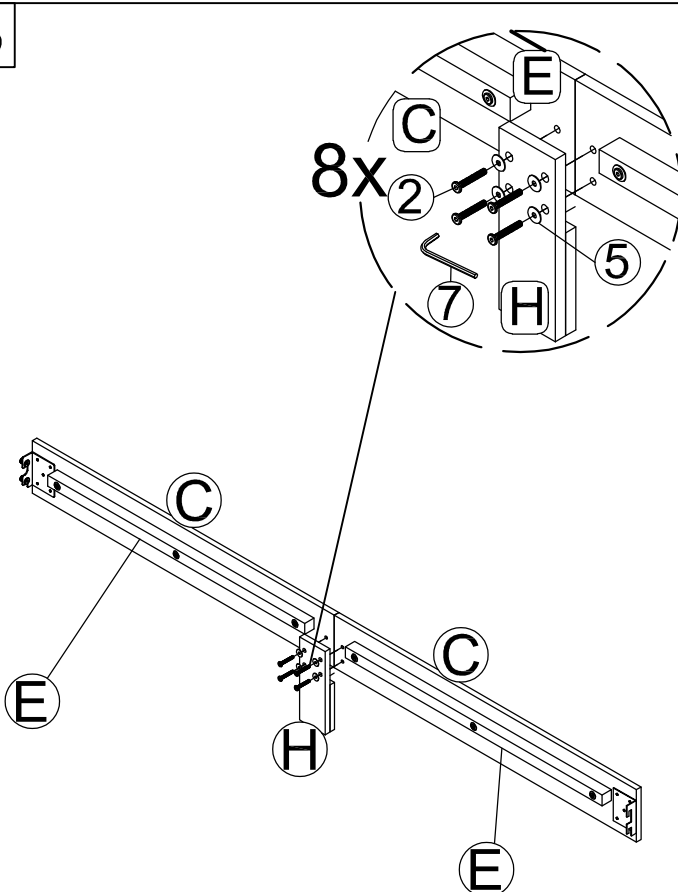
1



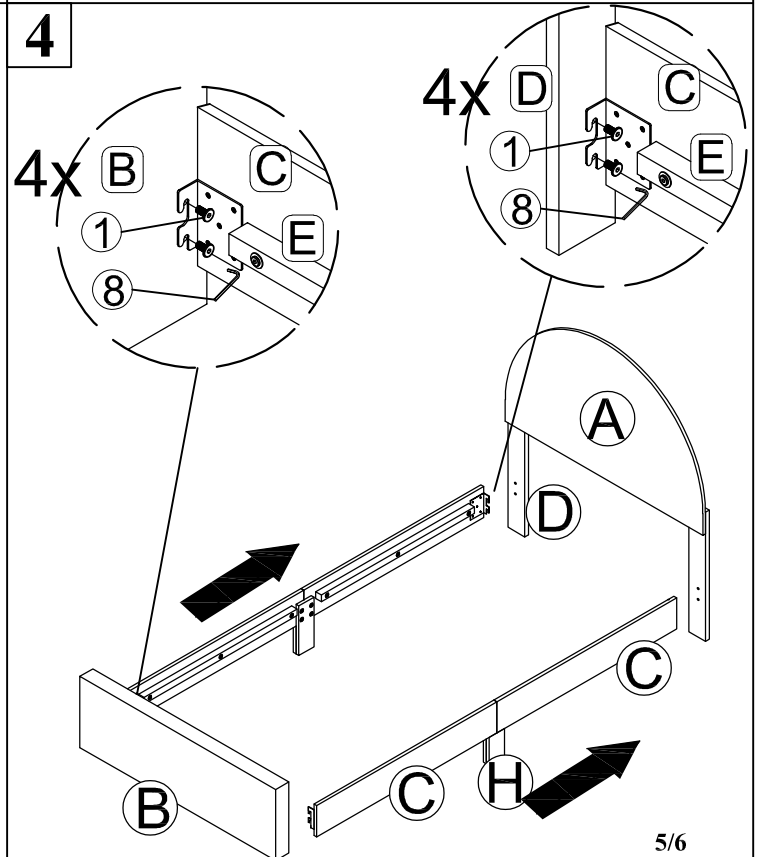
2



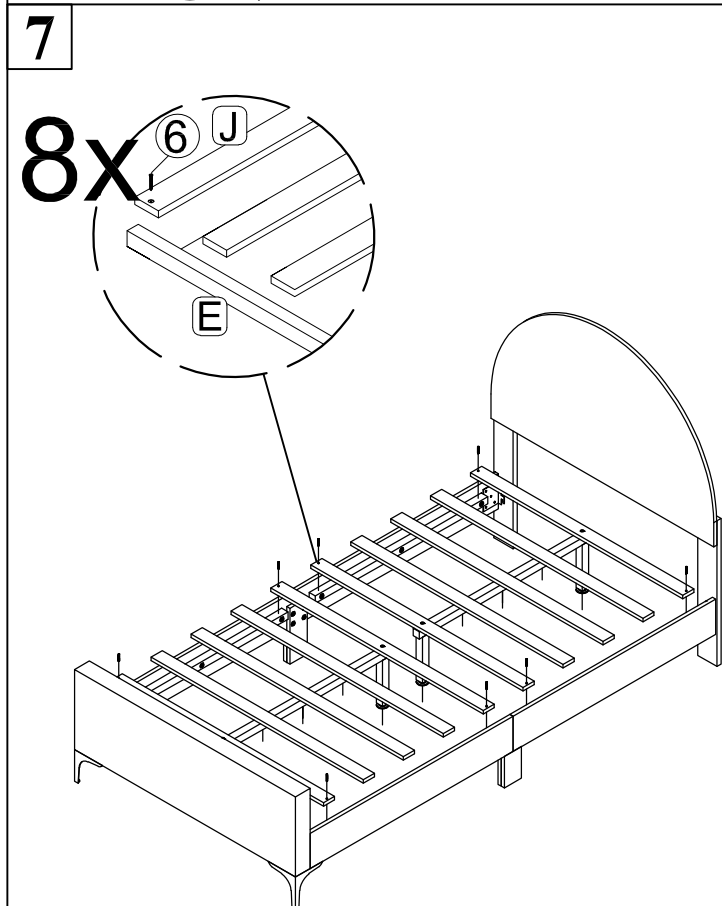
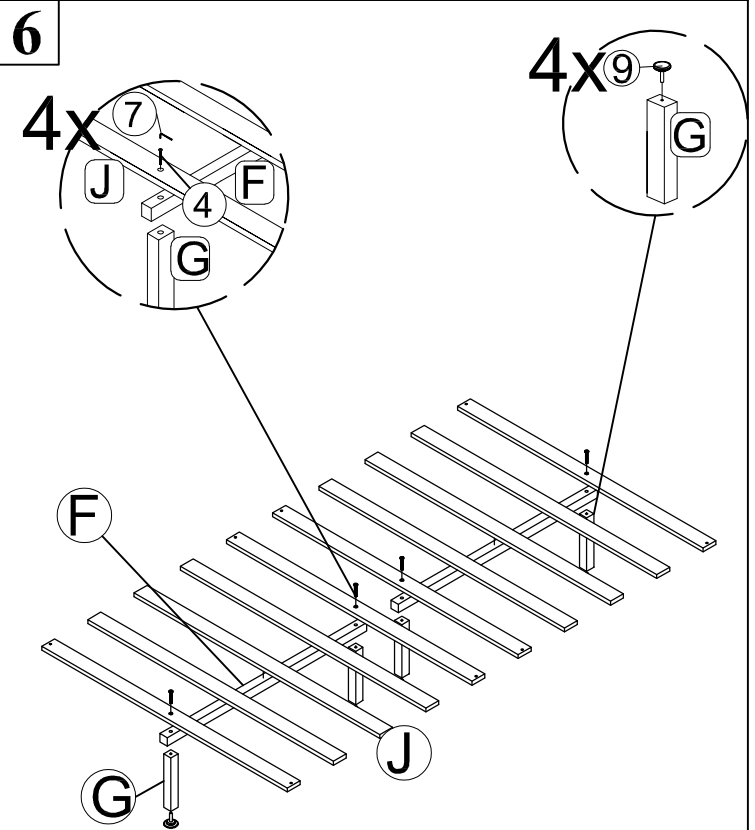
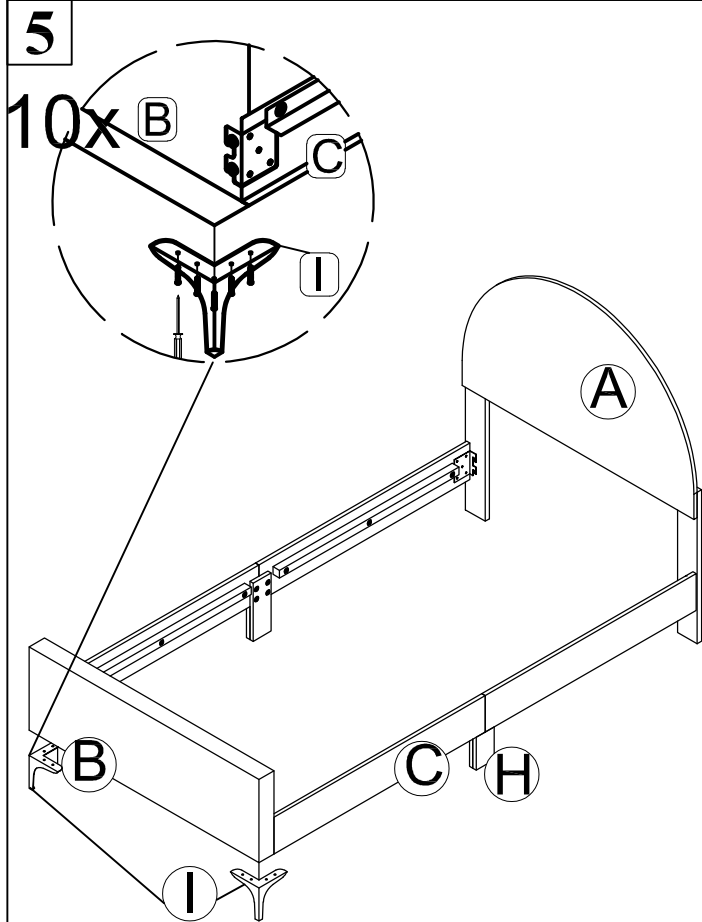
3



4



Assembly Step



FULLY COMPLETED ASSEMBLY

