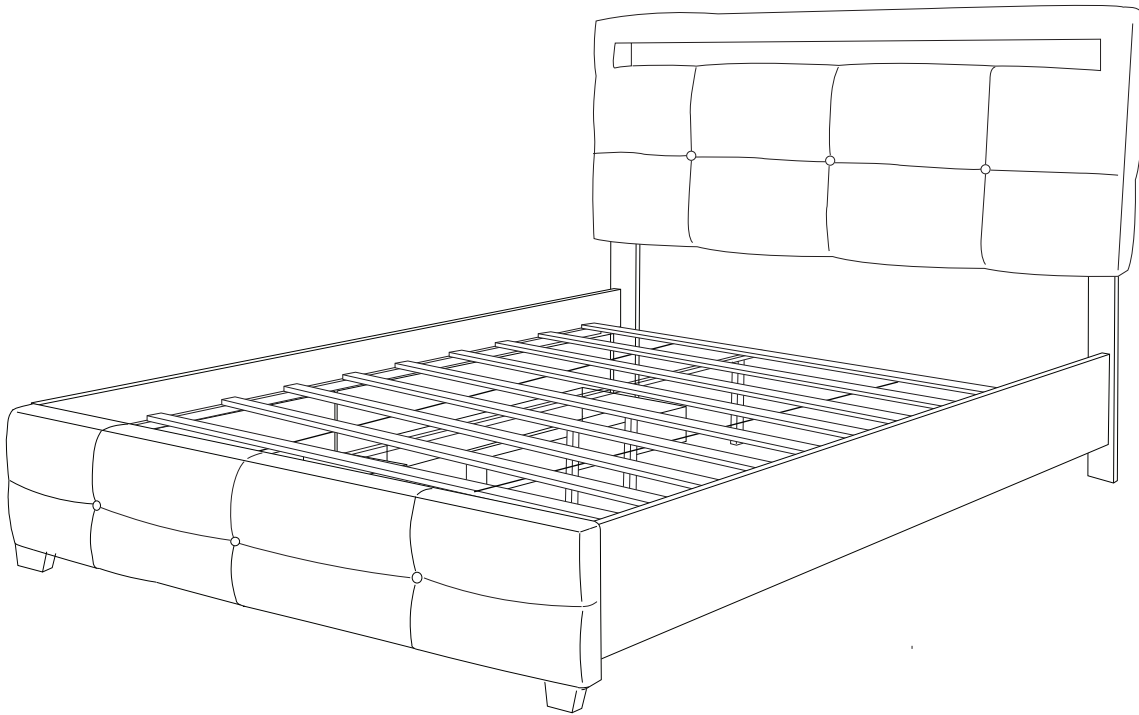
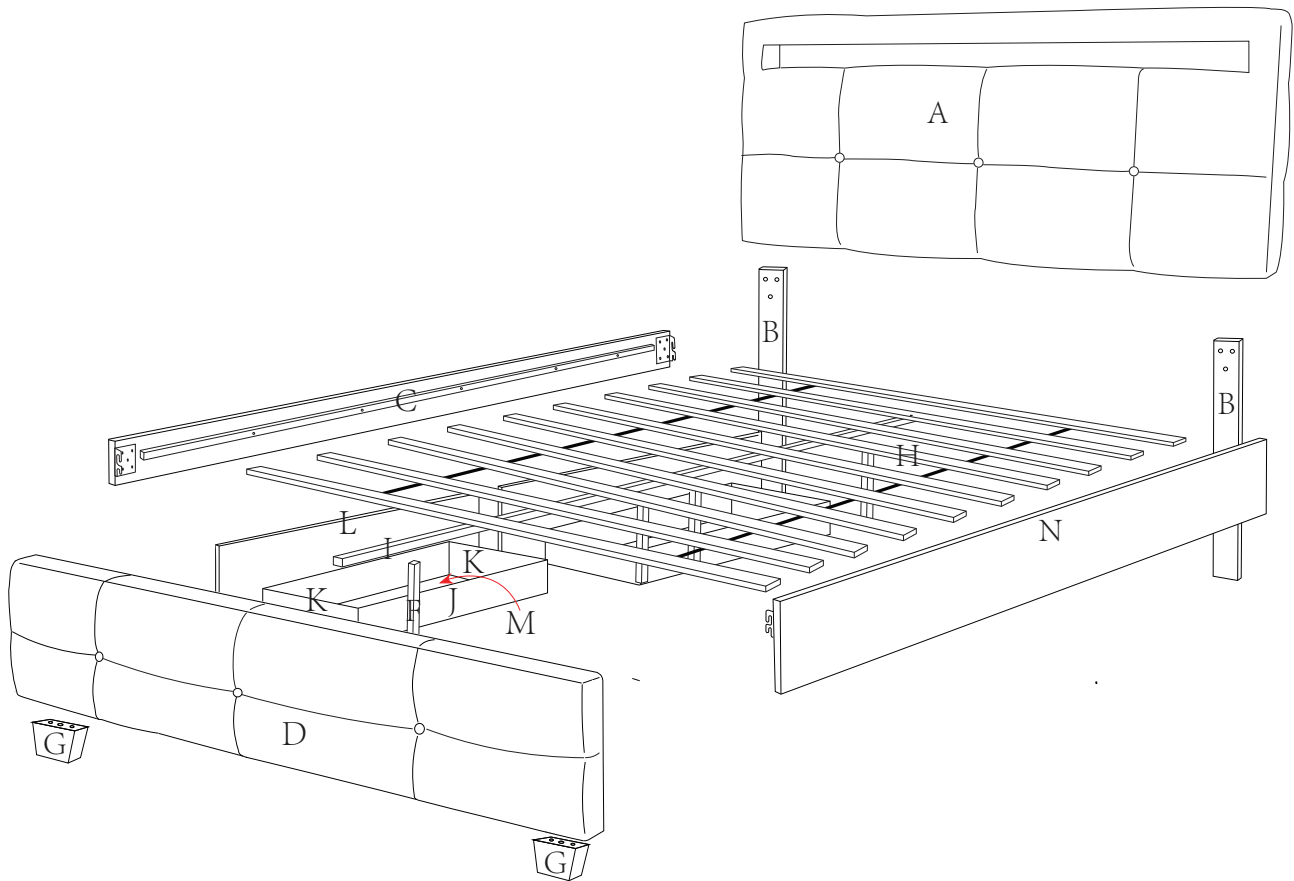


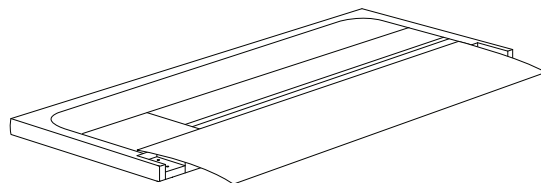
# ASSEMBLY INSTRUCTION

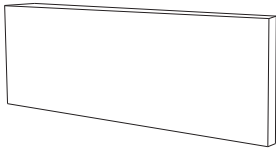
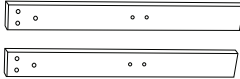
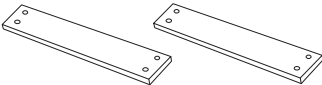
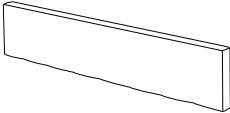
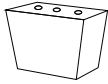
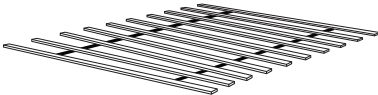
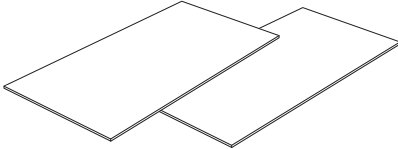
SKU CODE : WF312316 / WF312317  
ITEM : TWIN LED BED WITH 2 DRAWERS

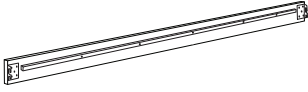
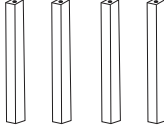
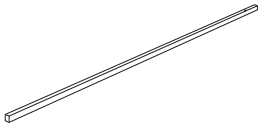
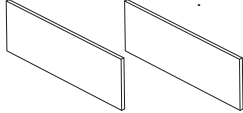
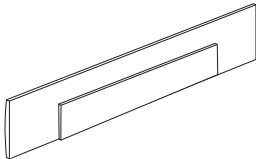
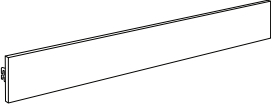
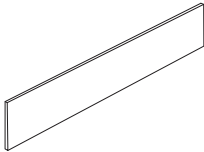


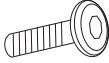

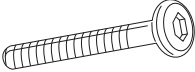
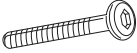
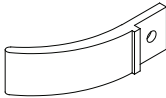
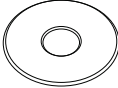

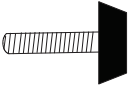


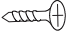

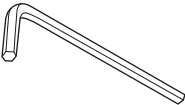


Bed Parts are shipped inside a compartment  
in the back of the headboard.



NO	PARTLIST (BOX 1 OF 2) WF312316	QTY
A	Headboard 	1 pc
B	Headboard Leg 	2 pcs
E	Drawer Support 	2 pcs
D	Footboard 	1 pcs
G	Bed Leg 	2 pcs
H	Bed Slat 	10 pcs
M	Drawer Bottom Panel 	2 pcs

<b>PART LIST (BOX 2 OF 2)</b> WF312317			
C	Small Side Rail		1 pcs
F	Center Support Leg		4 pcs
I	Center Support Rail		1 pc
K	Drawer Side Panel		4 pcs
L	Drawer Front Panel		2 pcs
N	Big Side Rail		1 pc
J	Drawer Back Panel		2 pcs

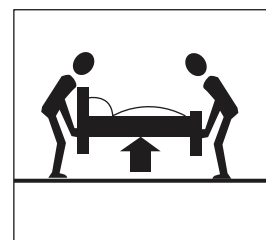
NO	HARDWARE LIST (BOX 2 OF 2) WF312317	QTY
1	JCBB M8 x 20mm 	8 pcs
2	JCBC M6 x 70mm 	2 pcs
3	JCBC M6 x 60mm 	4 pcs
4	JCBC M6 x 40mm 	6 pcs
5	Stopper 	4 pcs
6	Flat Washer M6 	6 pcs
7	Dowel M8 	4 pcs
8	Adjuster M6 	4 pcs
9	CSK M4 x 16mm 	4 pcs
10	CSK M4 X 25MM 	8 pc
11	CSK M3.5 x 16mm 	24 pcs
12	CSK M4 x 30mm 	20 pcs
13	Allen Key M4 	1 pc

NO	HARDWARE LIST (BOX 2 OF 2) WF312317	QTY
14	Allen Key M5 	1 pc
15	CSK M4 x 38mm 	16 pcs
16	Wheel 	8 pcs
17	Adapter ( in box WF312316 ) 	1 pc
18	Remote ( in box WF312316 ) 	1 pc

Read this instruction carefully. Remove all wrapping material, staples and straps from the carton. See hardware and furniture part list for guidance. Be sure you have all wooden furniture parts on a clean and flat surface, such as carpet or rug, to prevent from being scratched.





**CAUTION :**

1. Do not Full Tighten the nut or screw until all ready to assemble.
2. Do not Over Tighten the nut or screw to avoid causing damages to the thread.
3. Keep all hardware part out reach of children.

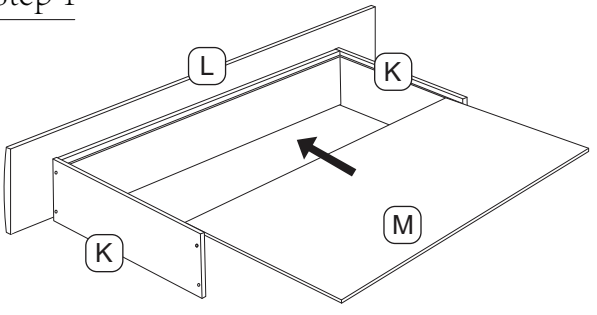


STEP 1

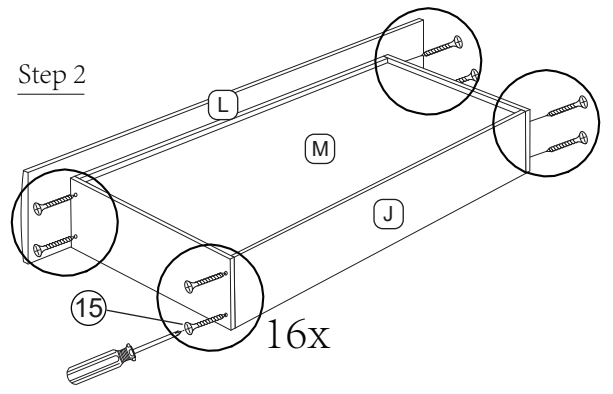
Drawer x 2 pcs

11	15	16	10
			
24 pcs	16 pcs	8 pcs	8 pcs

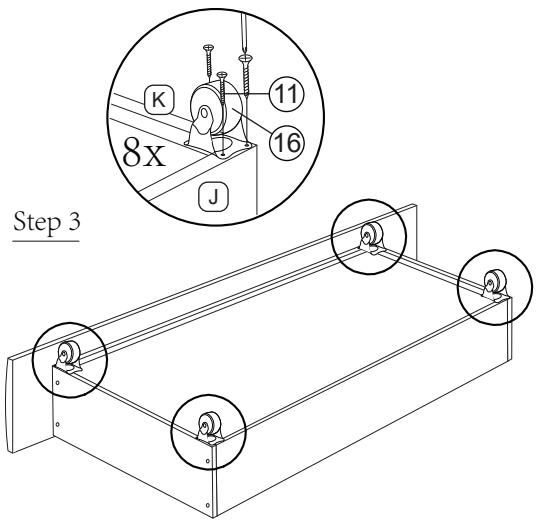
Step 1



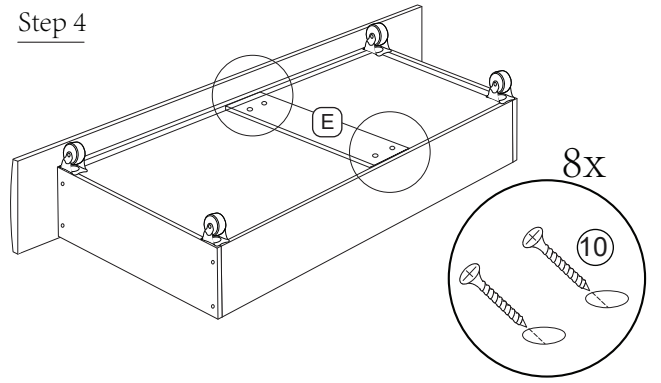
Step 2



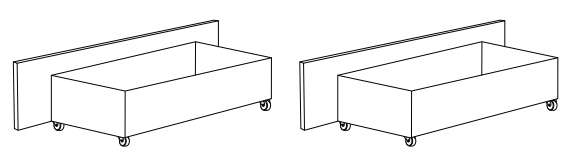
Step 3




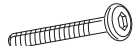


Step 4

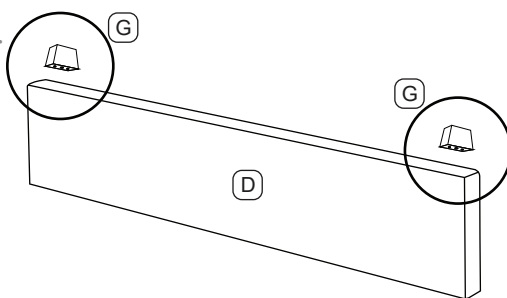
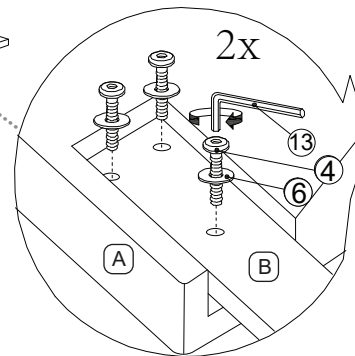
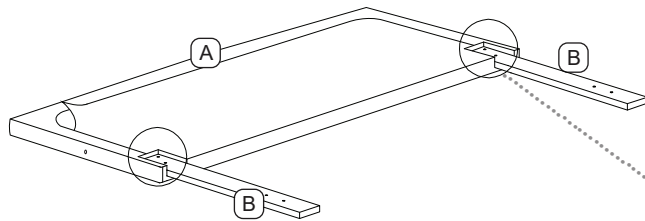
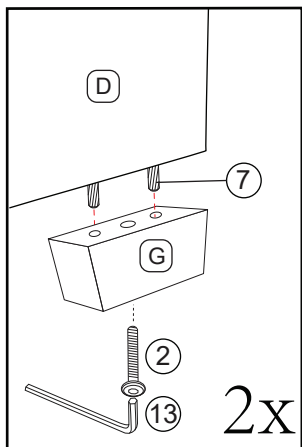


ASSEMBLY

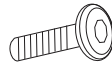


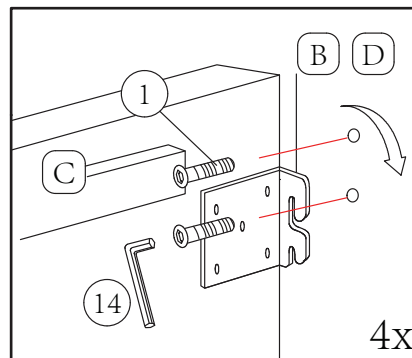
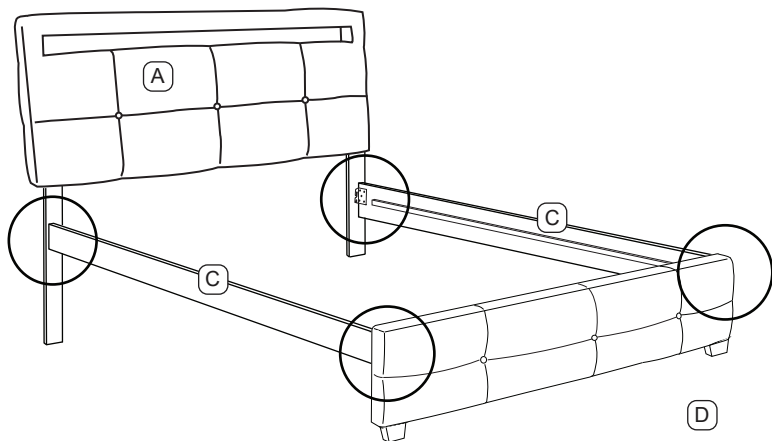
STEP 2

2	4	6	7
			
2 pcs	6 pcs	6 pcs	4 pcs



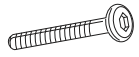

STEP 3

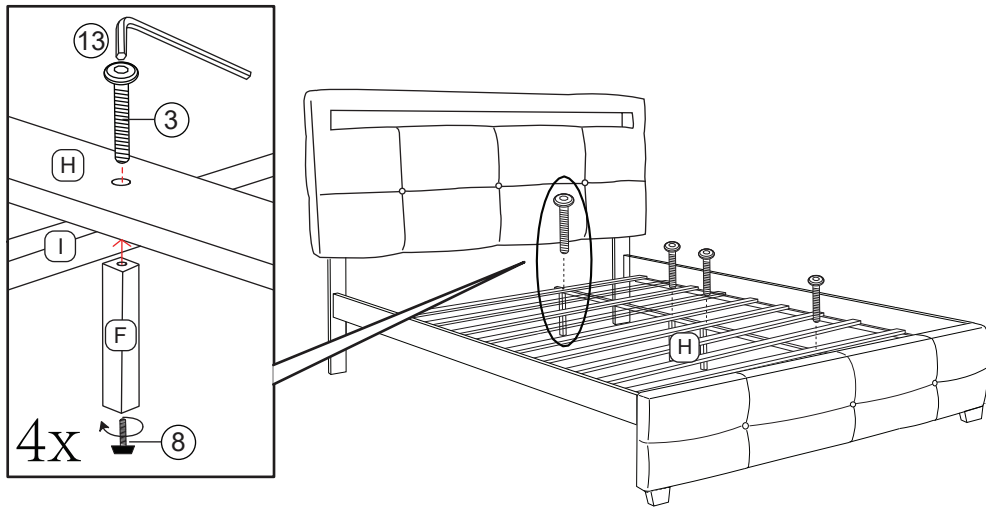
1

8 pcs






STEP 4

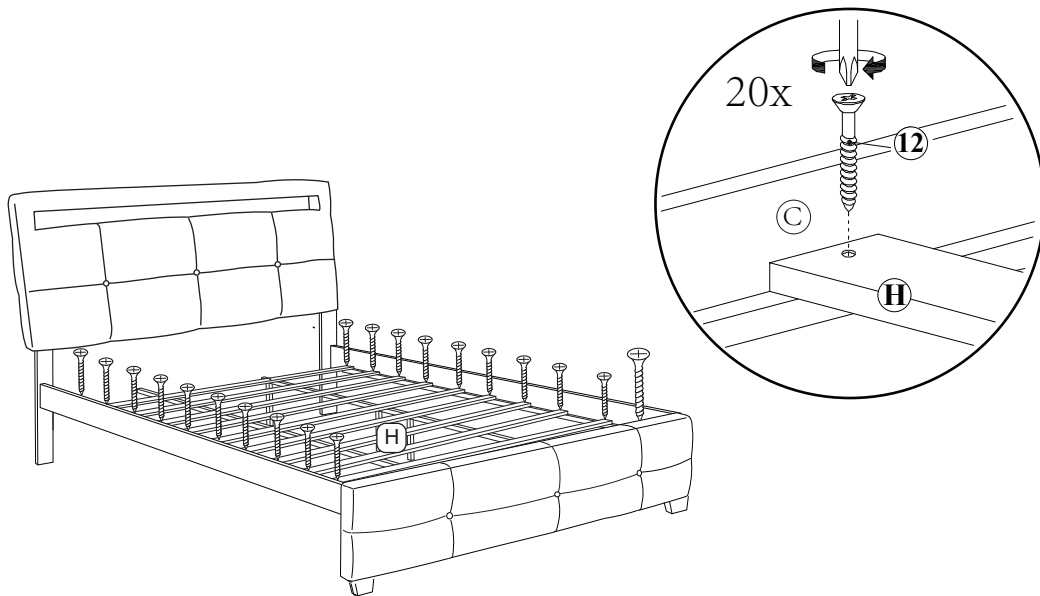
3	8
	
4 pcs	4 pcs



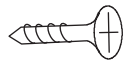

Adjust slat leveling feet to touch floor.

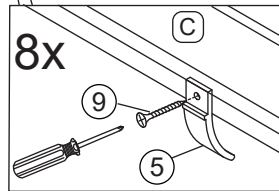
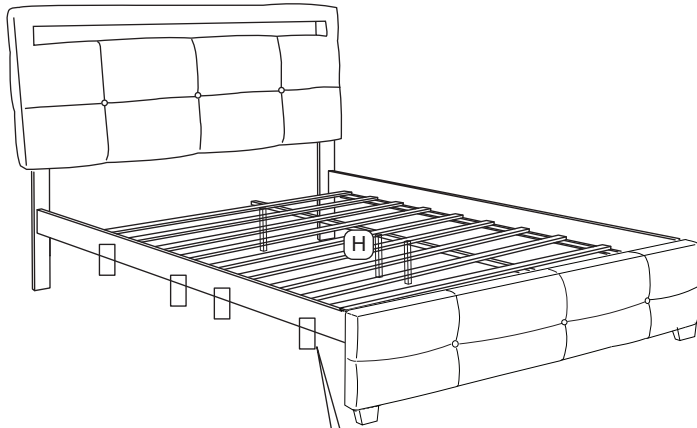
STEP 5

12

20 pcs



STEP 6

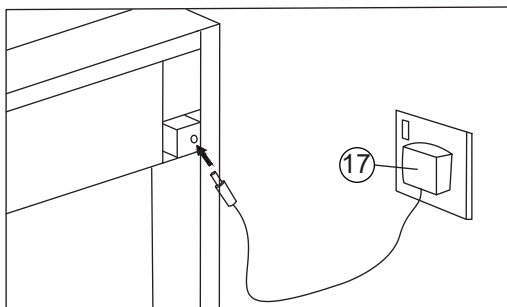
9	5
	
4 pcs	4 pcs





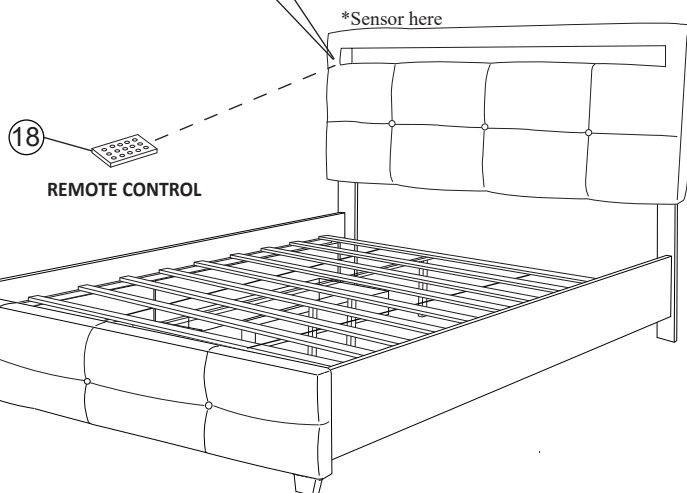
Optional:  
Add drawer stopper

STEP 7

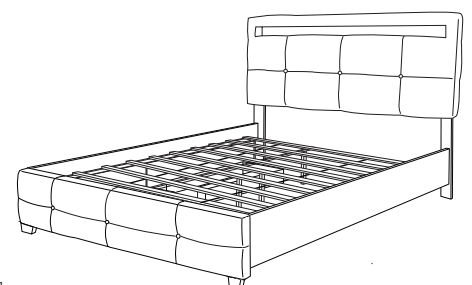
\*Backside of headboard



18	17
	
1 pc	1 pc



REMOTE CONTROL



COMPLETED  
ASSEMBLY  
Lastly, place the drawers inside.