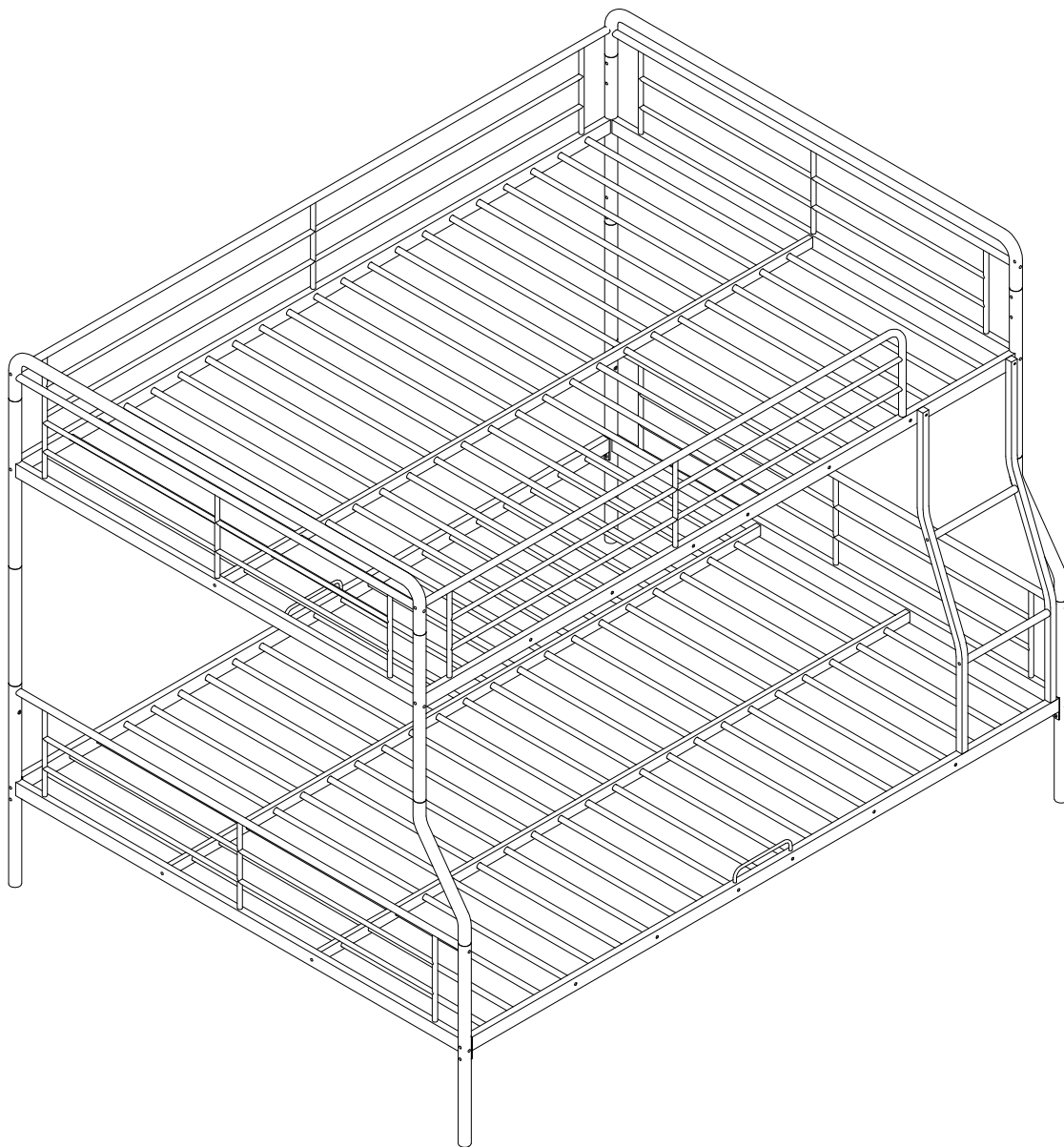
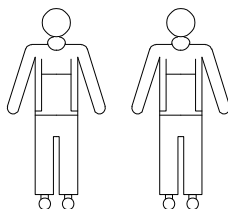


ASSEMBLY INSTRUCTION

MF310572 / MF310574



Minimum no. 2 of people
recommended to assemble
this product: Approx.
assembly time: 60 mins





SAFETY WARNING



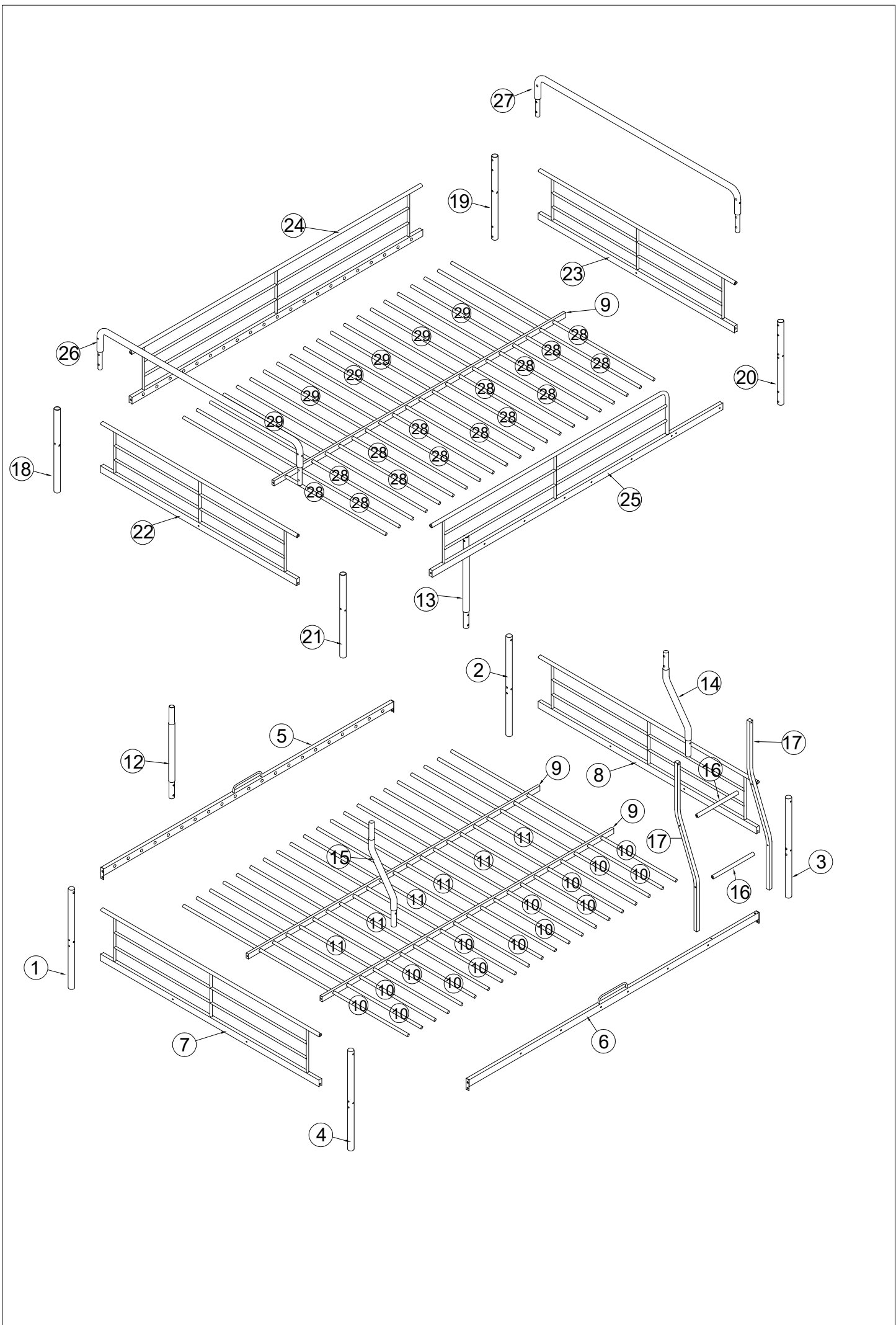
1. This bed is designed for use only mattress(es) meeting the following specifications on the upper bunk

Bed type	Length	Width	Thickness
Full extra long Standard	79"- 80"	53.5"	6" Max





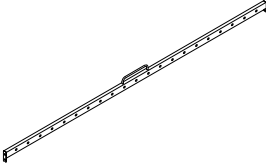
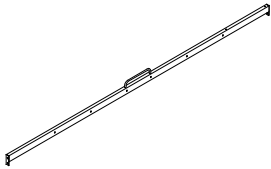
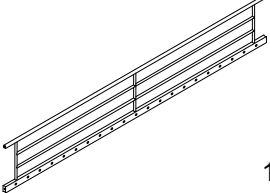
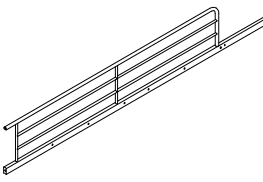
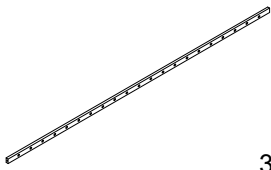
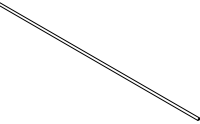
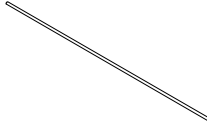









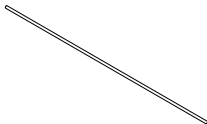
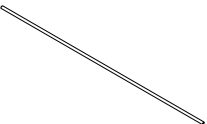
Lower bunk

Bed type	Length	Width	Thickness
Queen extra long Standard	79"- 80"	59.5"	8"

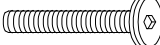
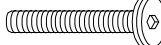
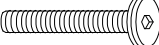
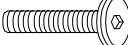


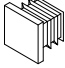
- 2. Replacement parts, including additional guardrails, maybe obtained from any for our (GIGACLOUD TECHNOLOGY(USA) INC.18961 ARENTH A VENUE CITY OF INDUSTRY, CA,91748) dealers**
- 3. Follow the information on the warnings appearing on the upper bunk bed end structure and on the carton. Do not remove warning label from bed.**
- 4. Always use the recommended size mattresses or mattress supports, or both, to help prevent the likelihood of entrapment or falls.**
- 5. Surface of mattress must be at least 5"(127mm) below the upper edge of guardrails .**
- 6. Do not allow children under 6 years of age to use the upper bunk.**
- 7. Periodically check and ensure that the guardrail , ladder , and other components are in their proper position , free from damage , and that all connectors are tight .**
- 8. Do not allow horseplay on or under the bed and prohibit Jumping on the bed .**
- 9. Always use the ladder for entering and leaving the upper bunk .**
- 10. Do not use substitute part . Contact the manufacturer or dealer for replacement part .**
- 11. Use of a night light may provide added safety precaution for a child using the upper bunk .**
- 12. Always use guardrails on both long sides of upper bunk . if the bunk bed will be placed next to the wall , the guardrail that runs the full length of the bed should be placed against the wall to prevent entrapment between the bed and wall .**
- 13. The use of water or sleep flotation mattresses is prohibited .**
- 14. STRANGULATION HAZARD - Never attach or hang items to any part of the bunk bed that are not designed for use with the bed ; for example , but not limited to , hook , belts and Jump ropes .**
- 15. Keep these instruction for future reference .**
- 16. Prohibit more than one person on upper bunk**
- 17. We recommend assembling your bunk bed on the shipping carton to protect your floor or carpet**
- 18. Be certain all staples are out the box before beginning assembly on the shipping carton .**



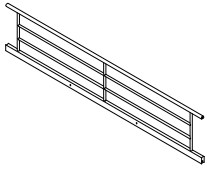
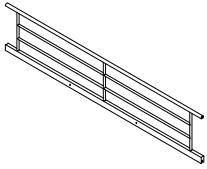

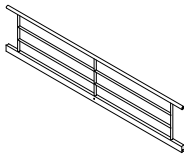
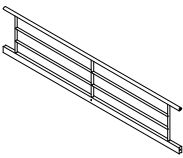
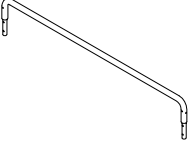
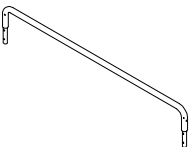
PART LIST MF310572

1		1PC	2		1PC	3		1PC
4		1PC	5		1PC	6		1PC
24		1PC	25		1PC	9		3PCS
10		15PCS	11		6PCS	12		1PC
13		1PC	14		1PC	15		1PC
16		2PCS	18		1PC	19		1PC
20		1PC	21		1PC	28		15PCS
29		6PCS						

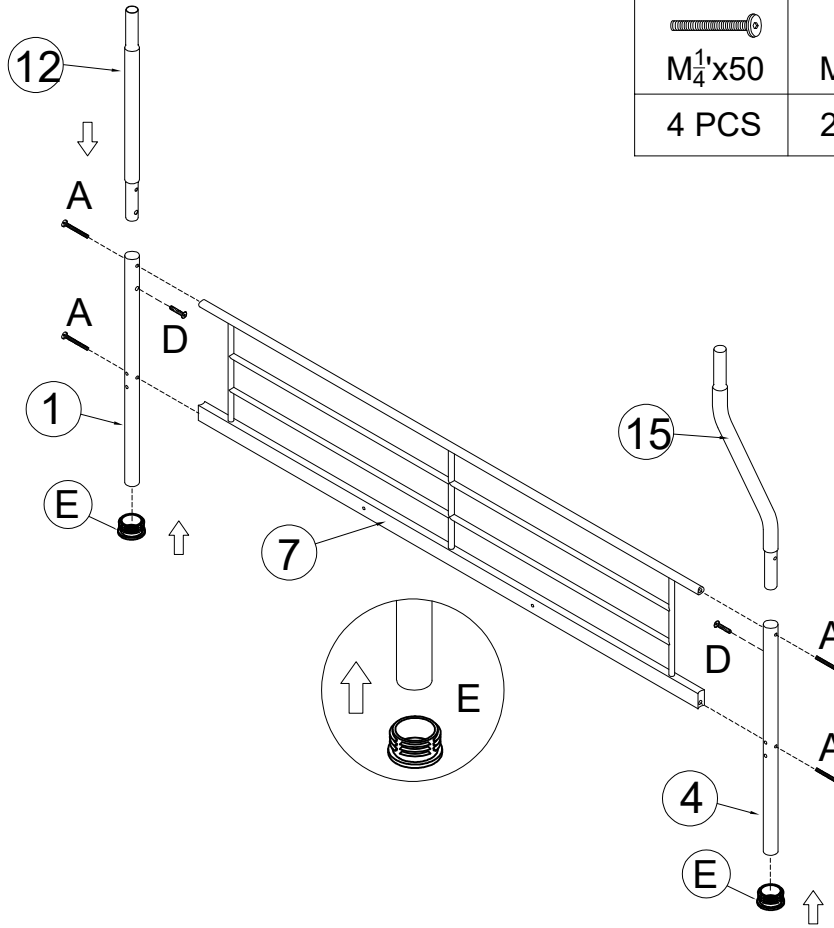
HARDWARE LIST MF310572




A		30 PCS M $\frac{1}{4}$ "X50	B		4 PCS M $\frac{1}{4}$ "X40	C		12 PCS M $\frac{1}{4}$ "X35	D		44 PCS M $\frac{1}{4}$ "X15	E		12PCS Ø32x20
F		1PC M4X23X57	G		2 PCS #20x20x13									

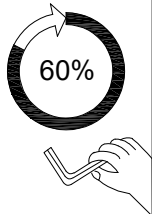
PART LIST MF310574

7  1PC	8  1PC	17  2PCS
22  1PC	23  1PC	26  1PC
27  1PC		

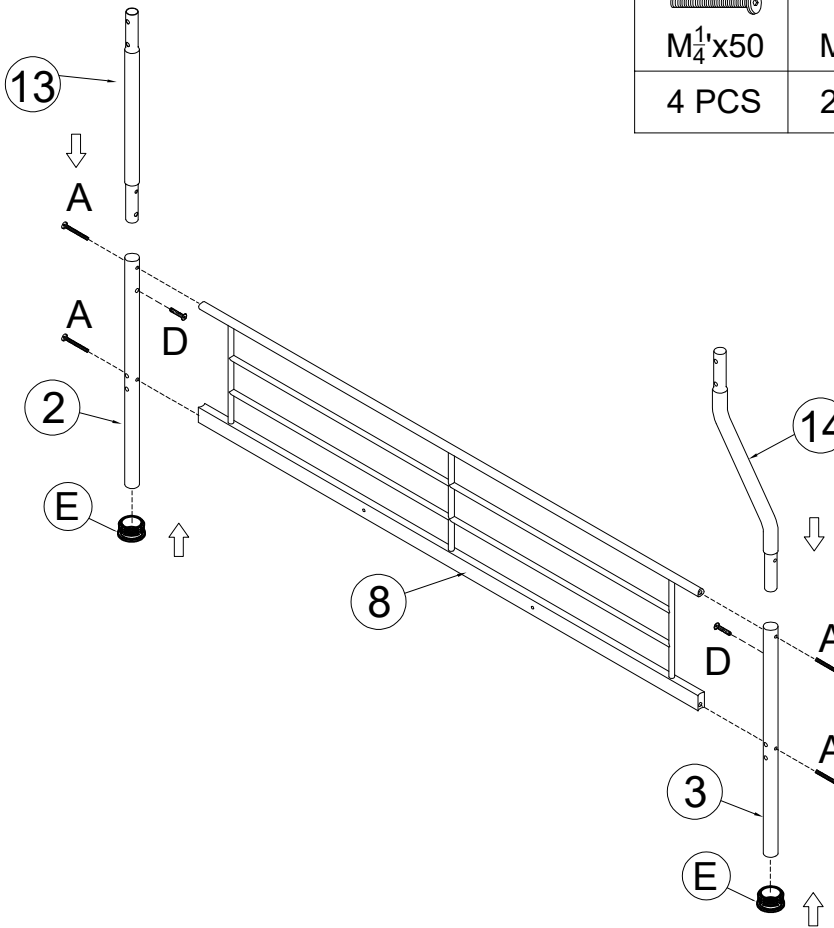
STEP 1






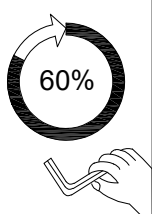
A	D	E
 M $\frac{1}{4}$ "x50	 M $\frac{1}{4}$ "x15	 Ø32x16
4 PCS	2 PCS	2PCS




STEP 2

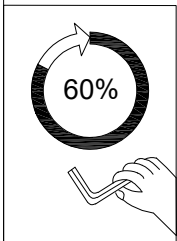
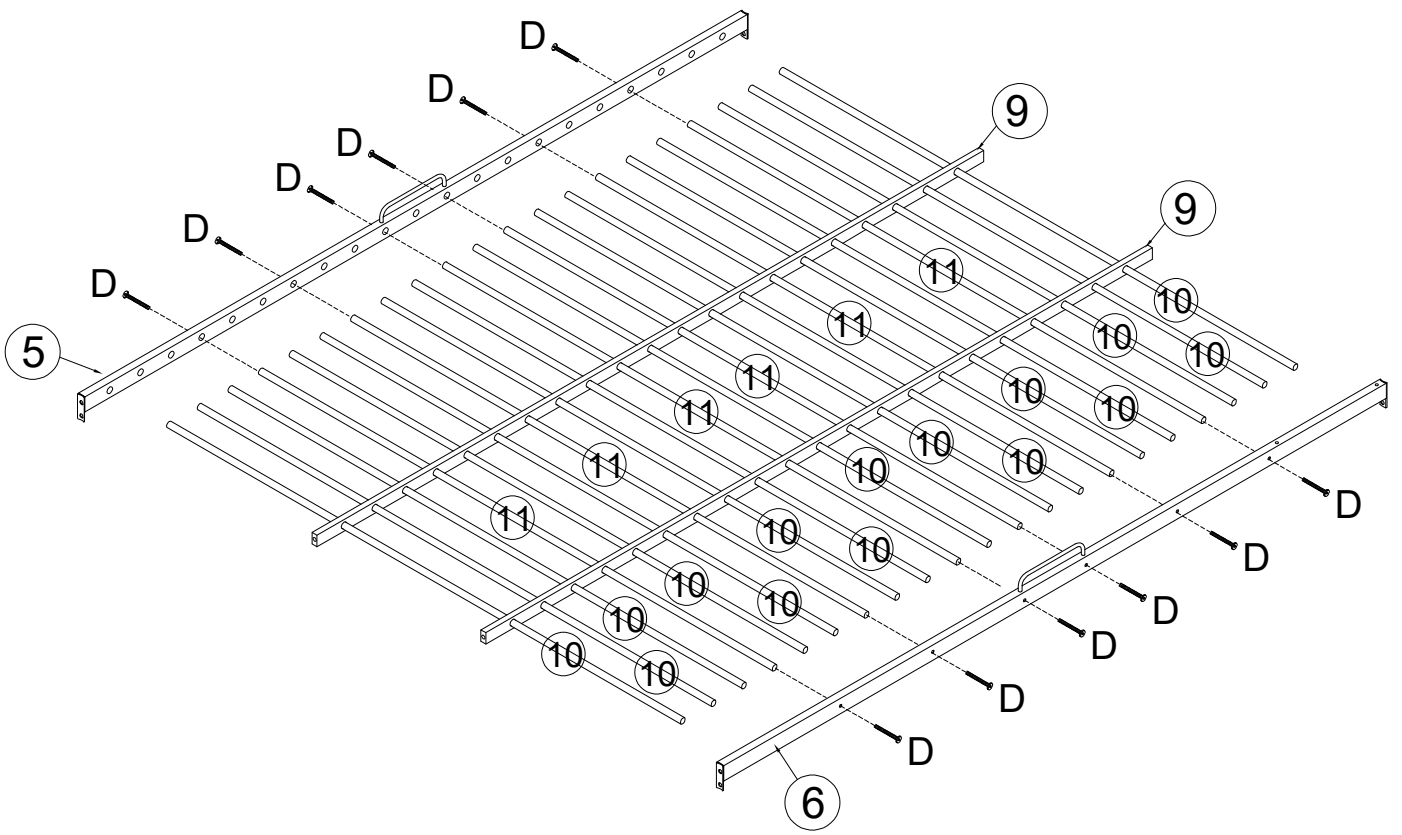


A	D	E
 M $\frac{1}{4}$ "x50	 M $\frac{1}{4}$ "x15	 Ø32x16
4 PCS	2 PCS	2PCS






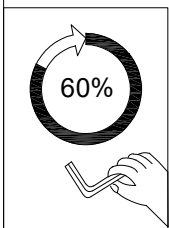
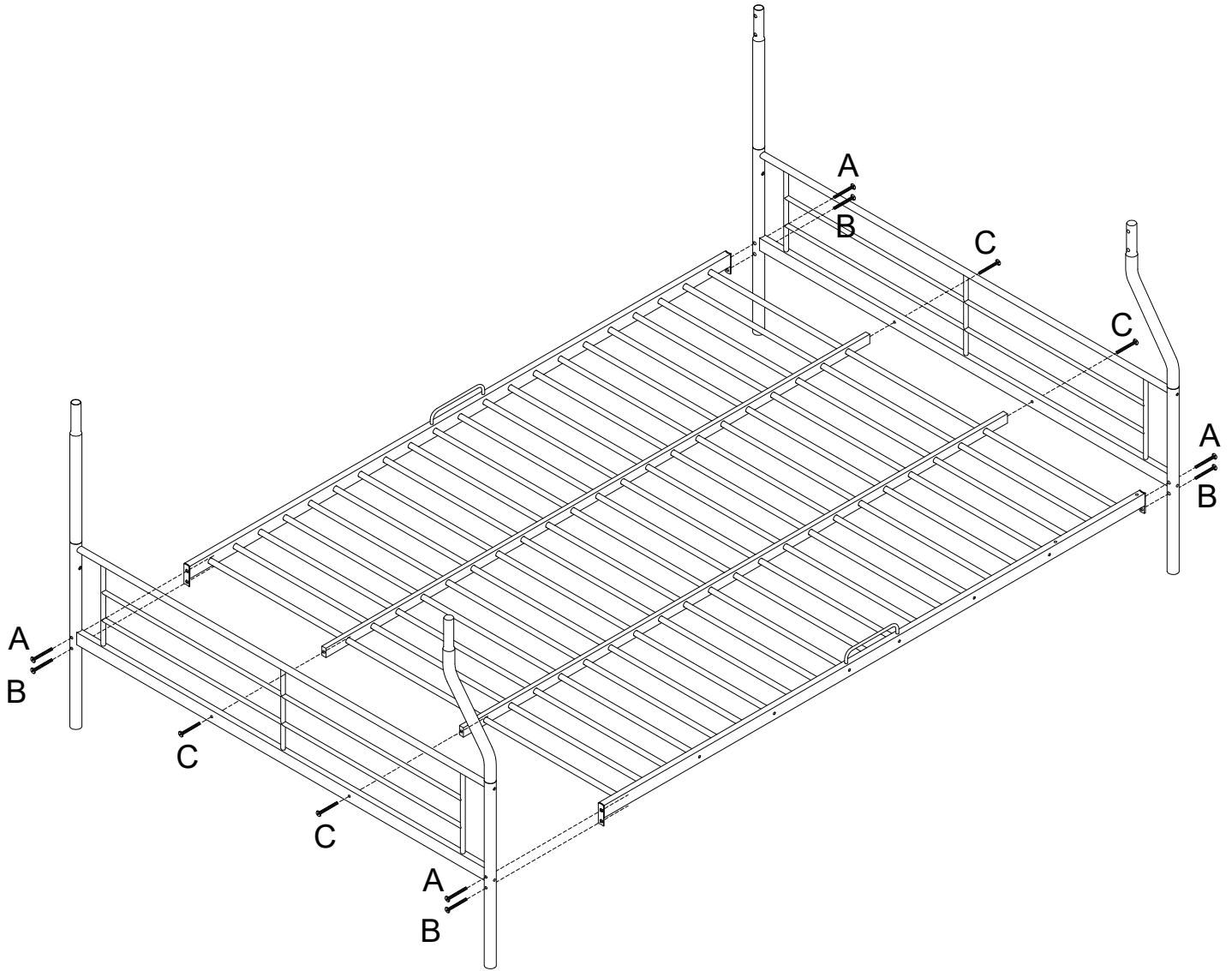
STEP 3

D
 M $\frac{1}{4}$ "x15
12 PCS





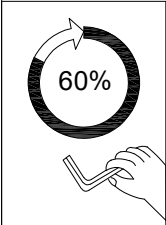
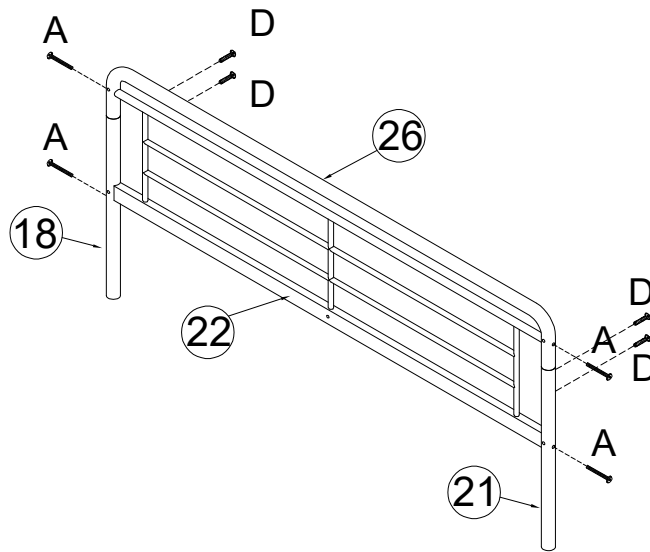
STEP 4

A	B	C
 M $\frac{1}{4}$ "x50	 M $\frac{1}{4}$ "x40	 M $\frac{1}{4}$ "x35
4 PCS	4 PCS	4 PCS





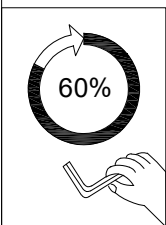
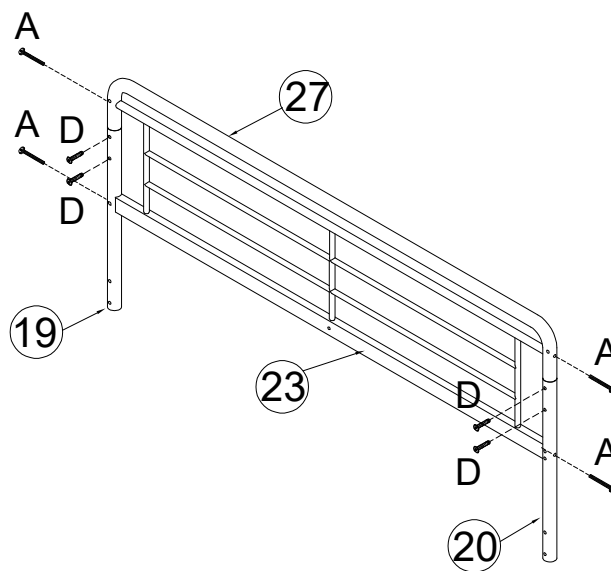
STEP 5

A	D
 M $\frac{1}{4}$ "x50	 M $\frac{1}{4}$ "x15
4 PCS	4 PCS



STEP 6

A	D
 M $\frac{1}{4}$ "x50	 M $\frac{1}{4}$ "x15
4 PCS	4 PCS

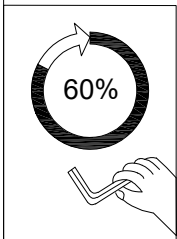
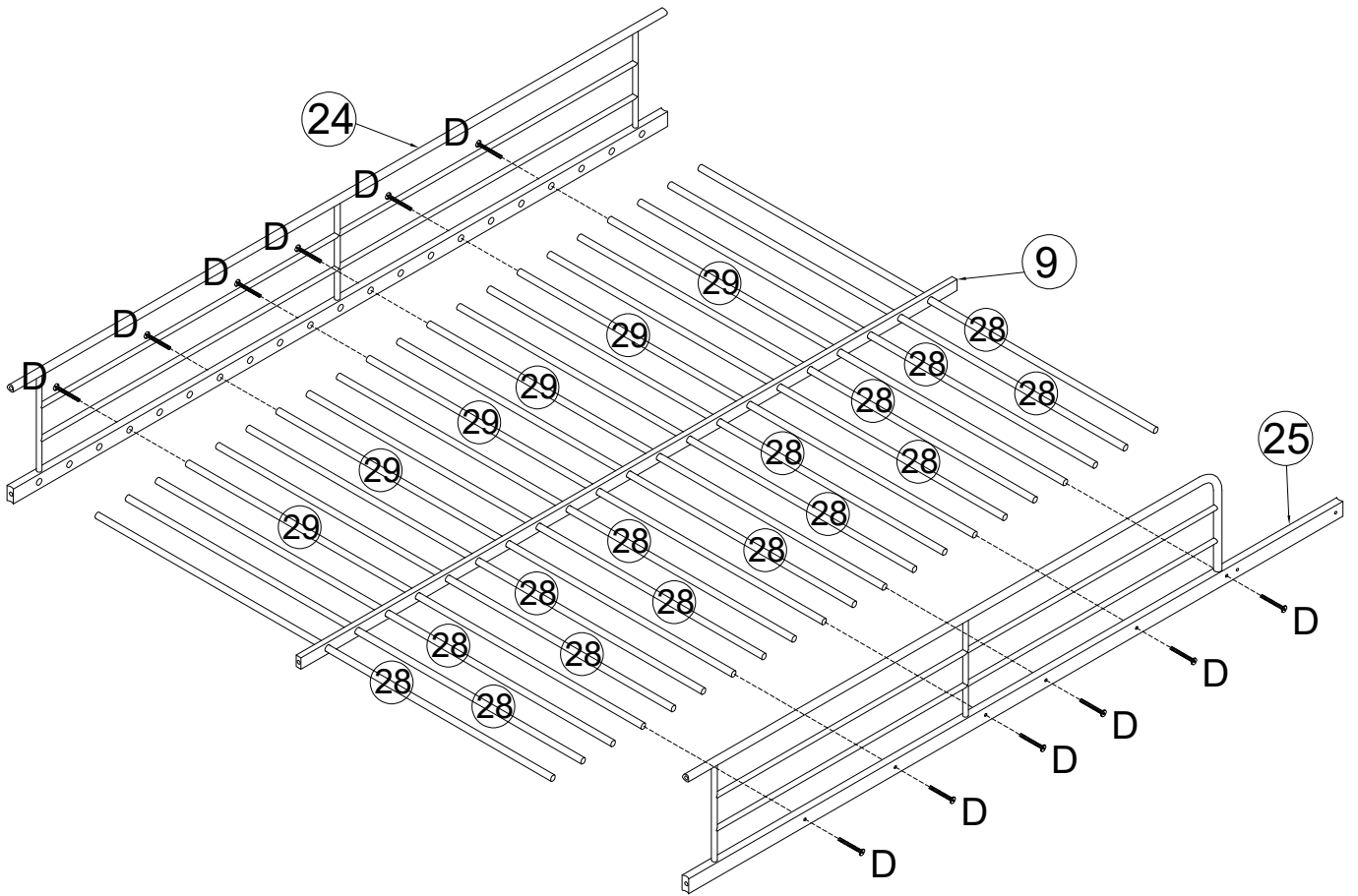


STEP 7



D

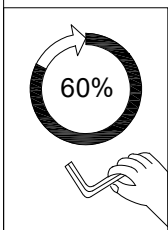
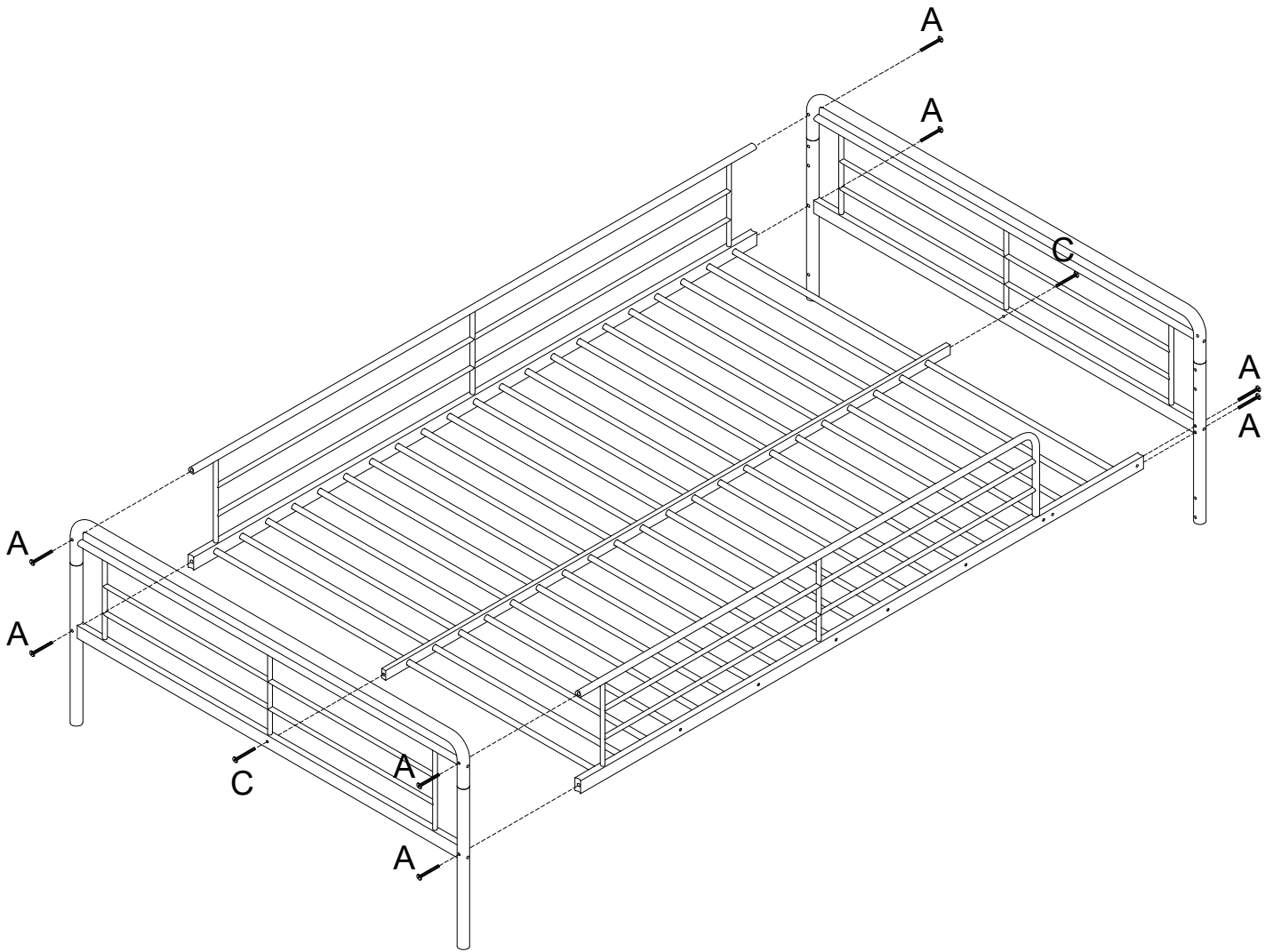
M¹/₄"x15

12 PCS




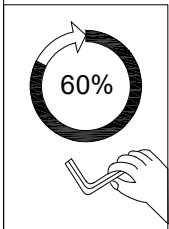
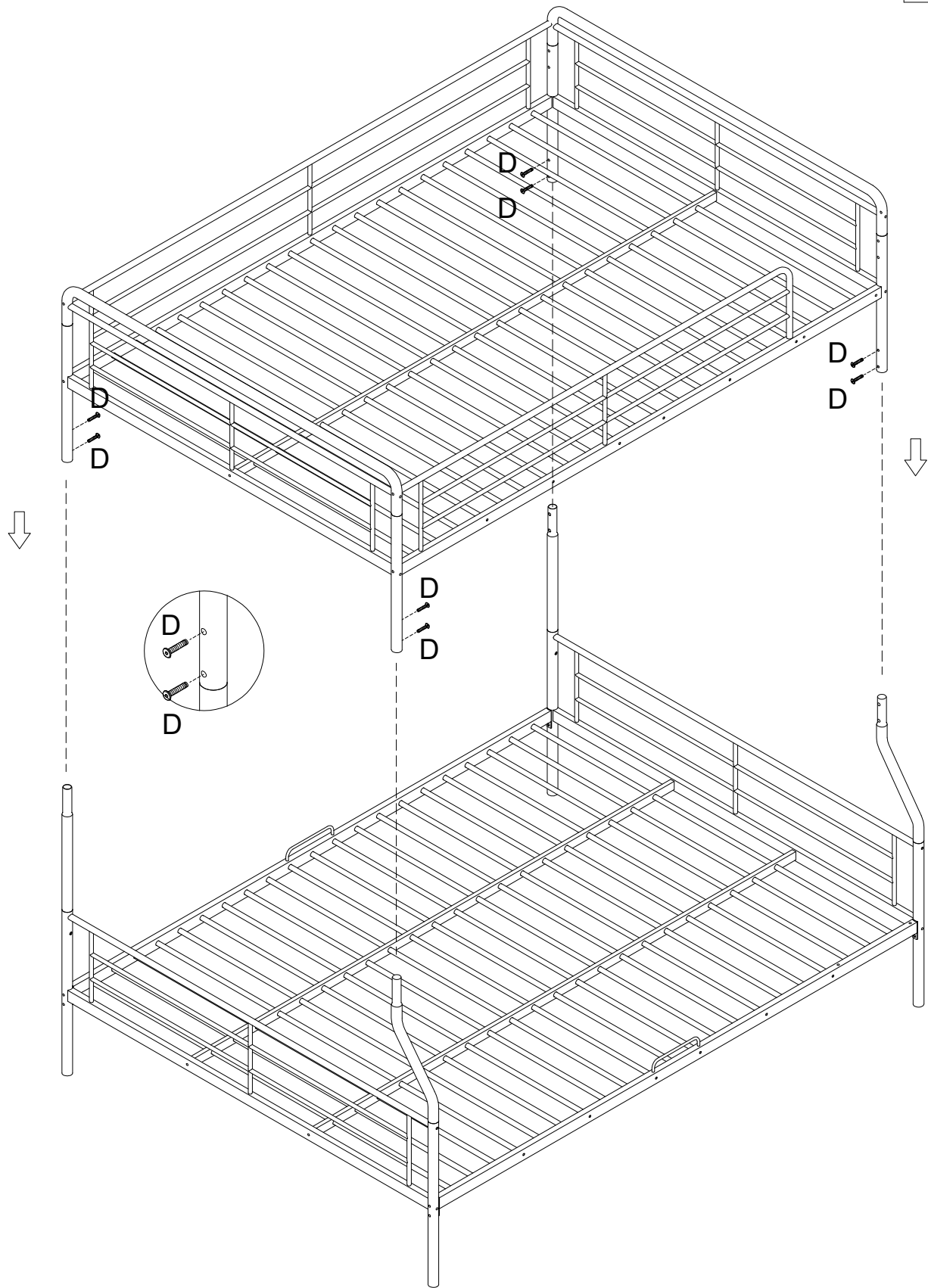
STEP 8

A	C
 M $\frac{1}{4}$ "x50	 M $\frac{1}{4}$ "x35
8 PCS	2 PCS





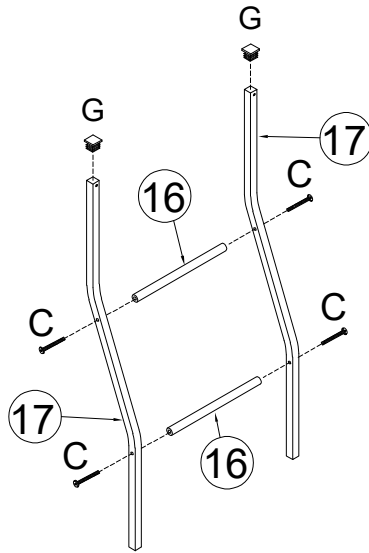
STEP 9

D
 M $\frac{1}{4}$ "x15
8 PCS



STEP 10



G	C
 #20x20x13	 M $\frac{1}{4}$ "x35
2 PCS	4 PCS

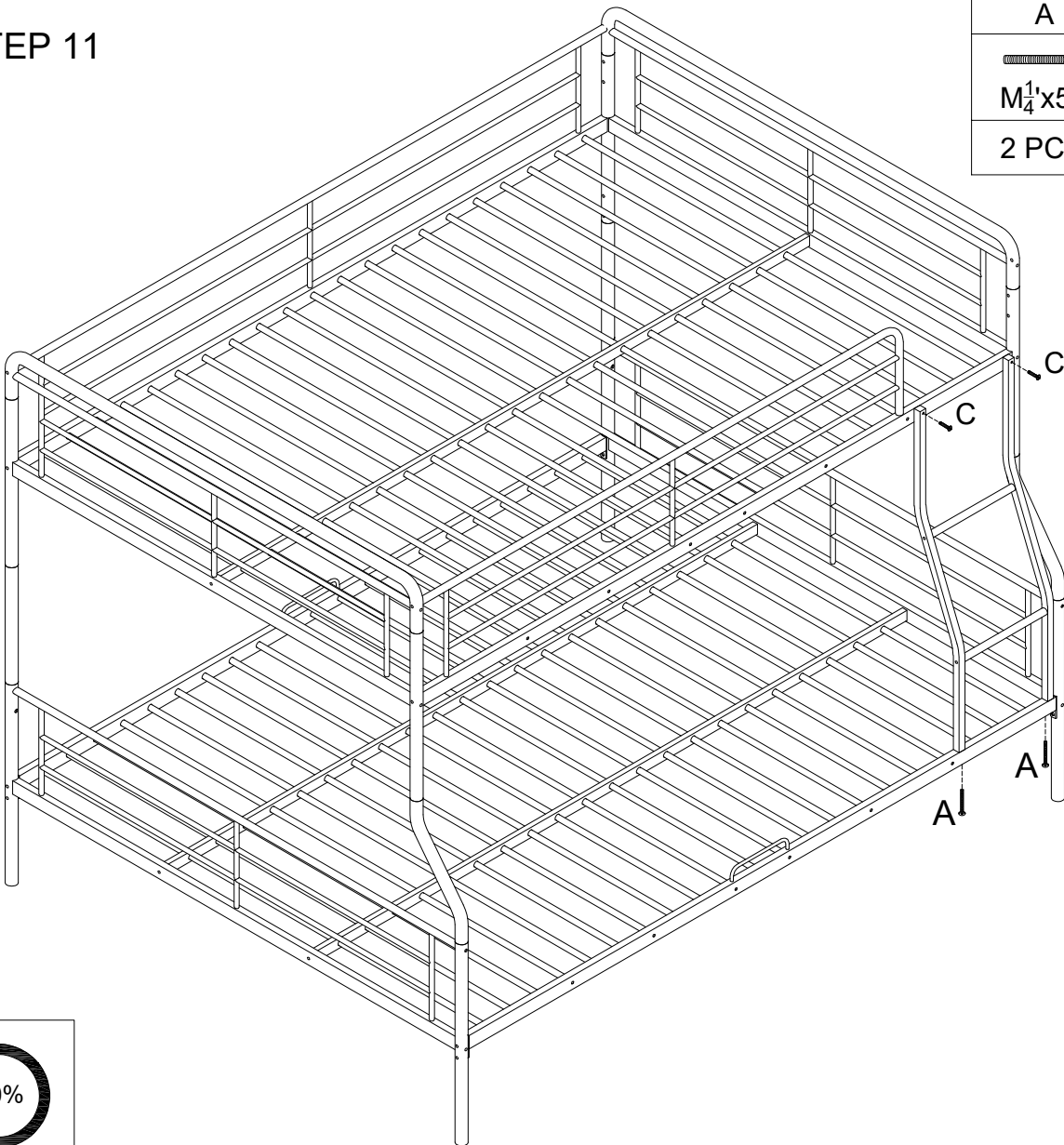


60%



STEP 11

A	C
 M $\frac{1}{4}$ "x50	 M $\frac{1}{4}$ "x35
2 PCS	2 PCS

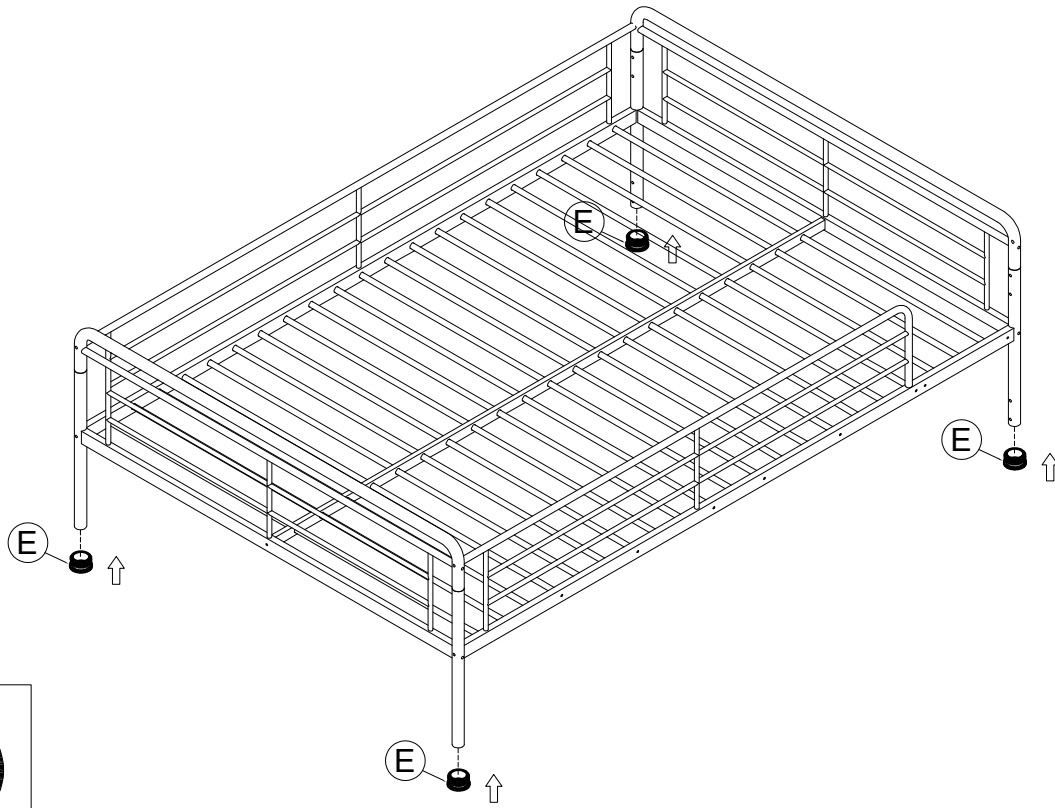


60%



STEP 12

BED 2



E

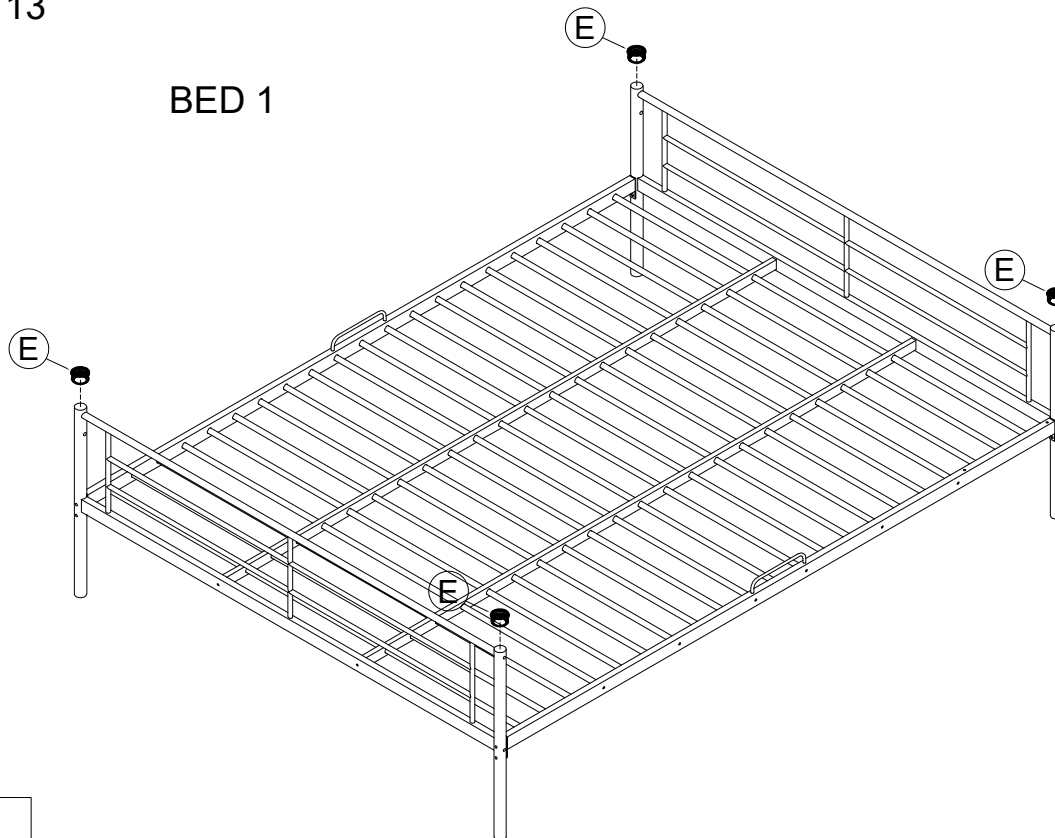
Ø32x16

4PCS



STEP 13

BED 1



E

Ø32x16

4PCS



STEP 14

