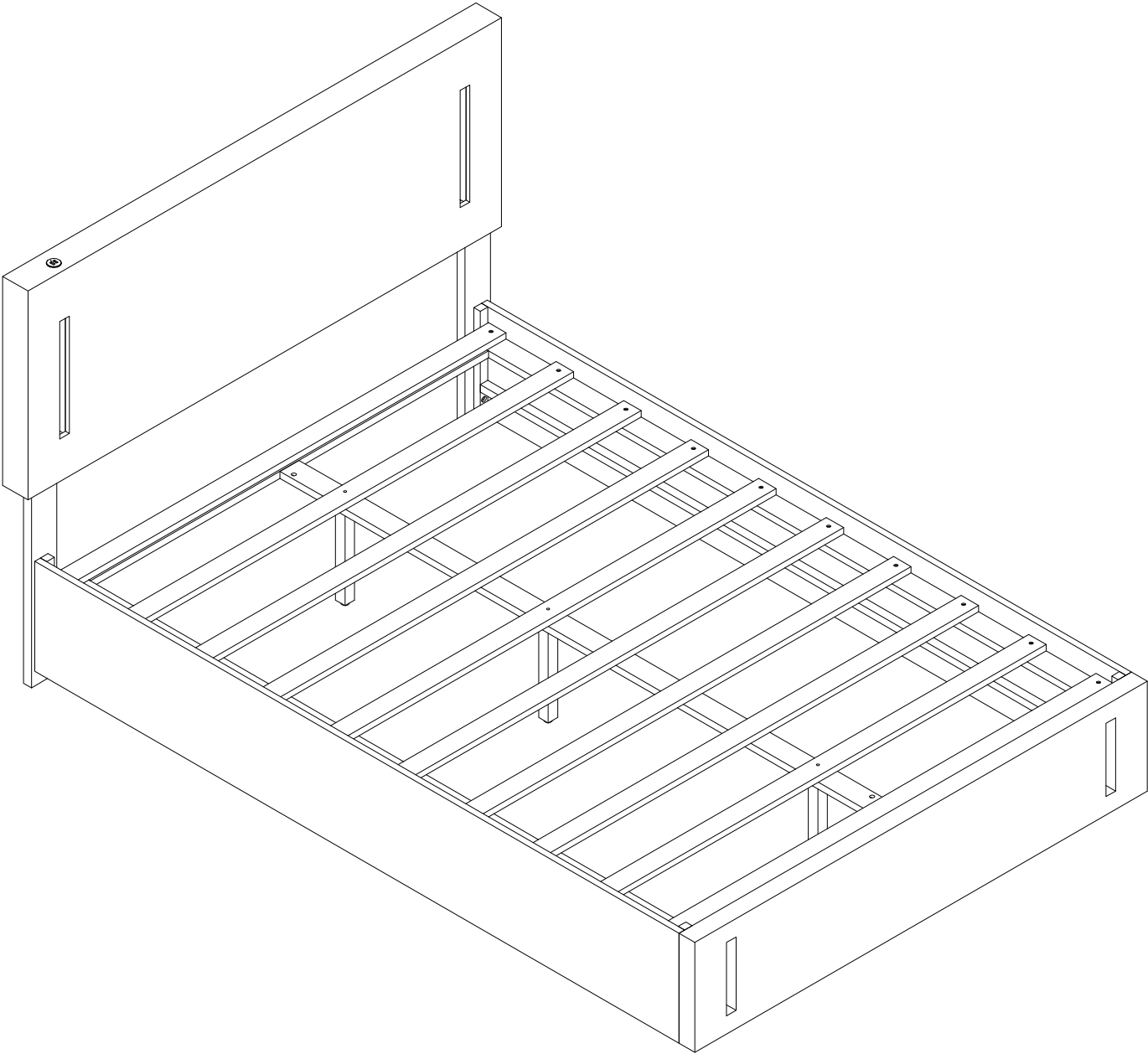
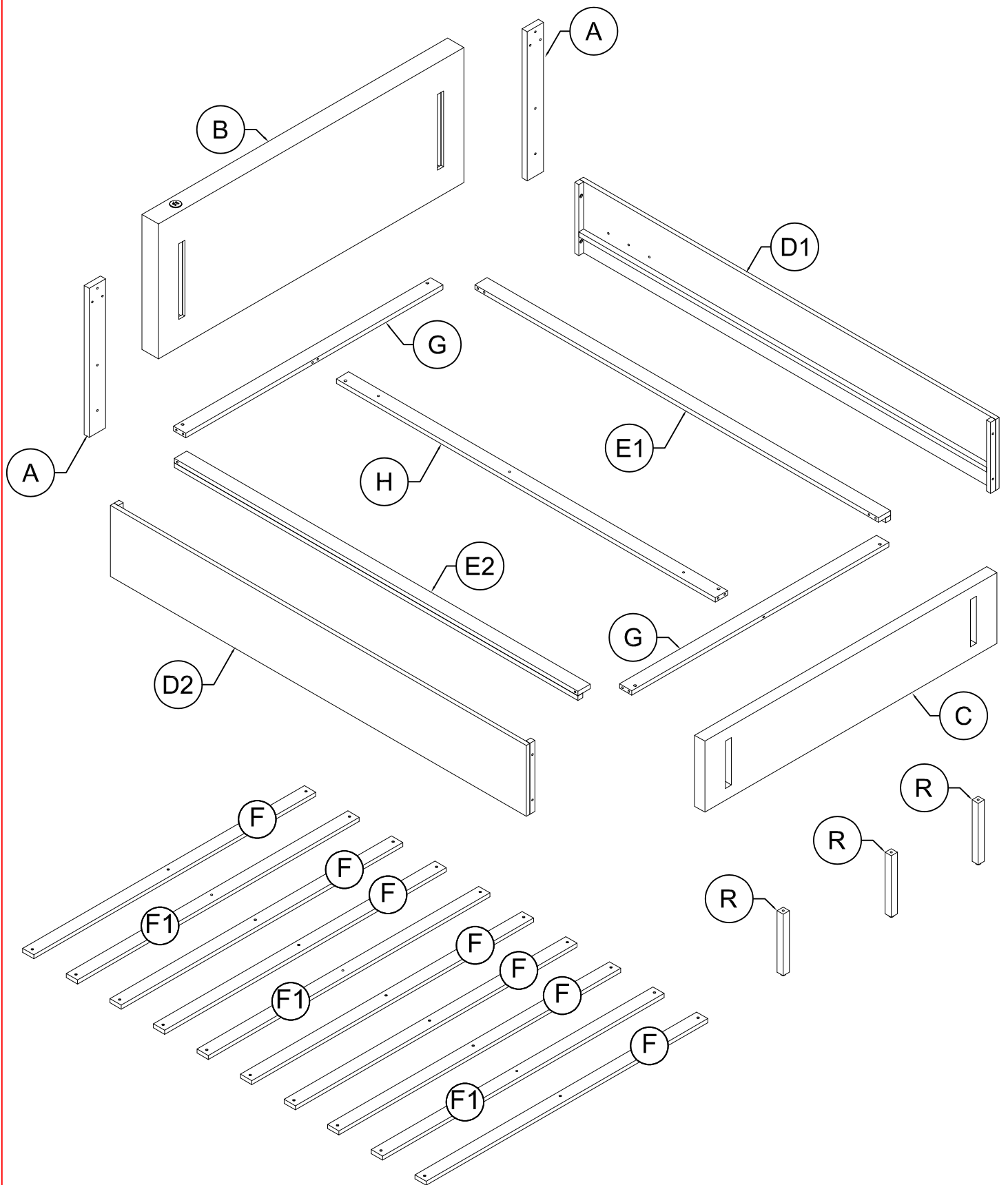


ASSEMBLY INSTRUCTION

SKU CODE: (WF312905-WF312903)

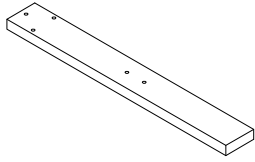


ASSEMBLY INSTRUCTION



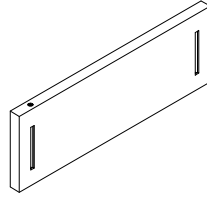
Part List (WF312905)

A



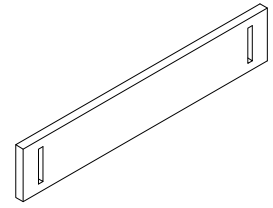
Leg - 2pcs

B



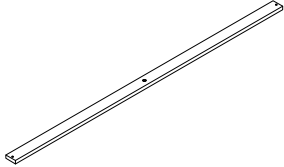
HB Frames - 1pc

C



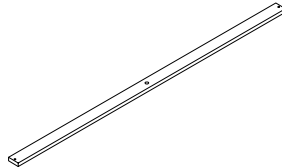
FB Frames - 1pc

F



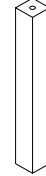
Slats - 7pcs

F1



Slats - 3pcs

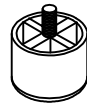
R



Support Leg - 3pcs

Hardware List (WF312905)

2



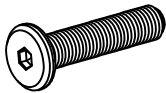
Plastic Feet(Ø50x40)
2pcs

3



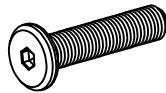
Allen Key 1pcs

4



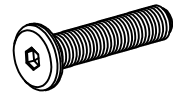
1/4" x 20mm
Hex-Head bolts 8pcs

5



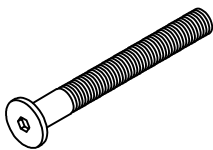
1/4" x 35mm
Hex-Head bolts 6pcs

6



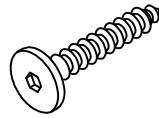
1/4" x 40mm
Hex-Head bolts 8pcs

7



1/4" x 100mm
Hex-Head bolts 6pcs

8



Screws 1/4" x 20mm
8pcs

9



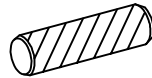
1/4" x 15mm
Horizontal -Hole bolts 6pcs

10



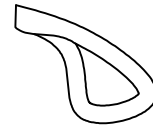
M4 x 30 mm
Wood Screws 27pcs

11



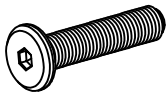
Ø8x30
Wood Dowel 6pcs

12



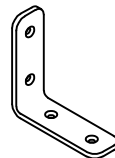
Pabric 1pc

13



1/4" x 50mm
Hex-Head bolts 3pcs

14

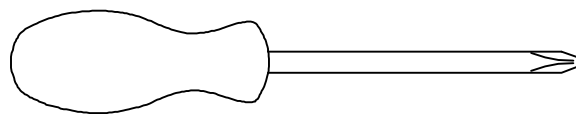


Steel Bracket
4pcs

15



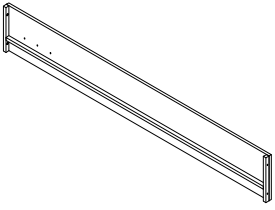
M4 x 20 mm
Wood Screws 8pcs



Assembly Tools Required (Not Included)

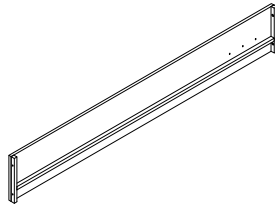
Part List (WF312903)

D1



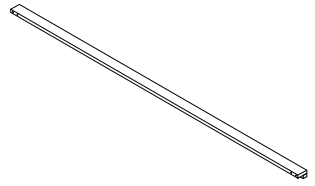
Side Rails Right - 1pc

D2



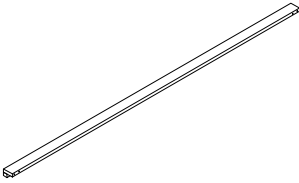
Side Rails Left - 1pc

E1



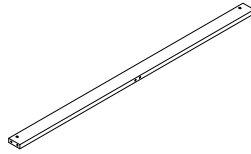
Side Bars Right - 1pcs

E2



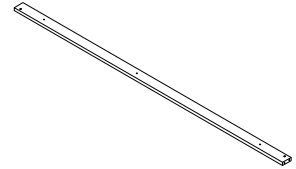
Side Bars Left - 1pcs

G



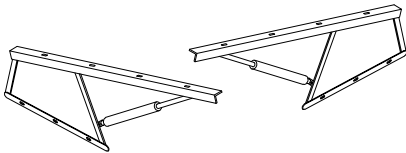
Bars - 2pcs

H



Support Slats - 1pc

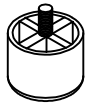
1



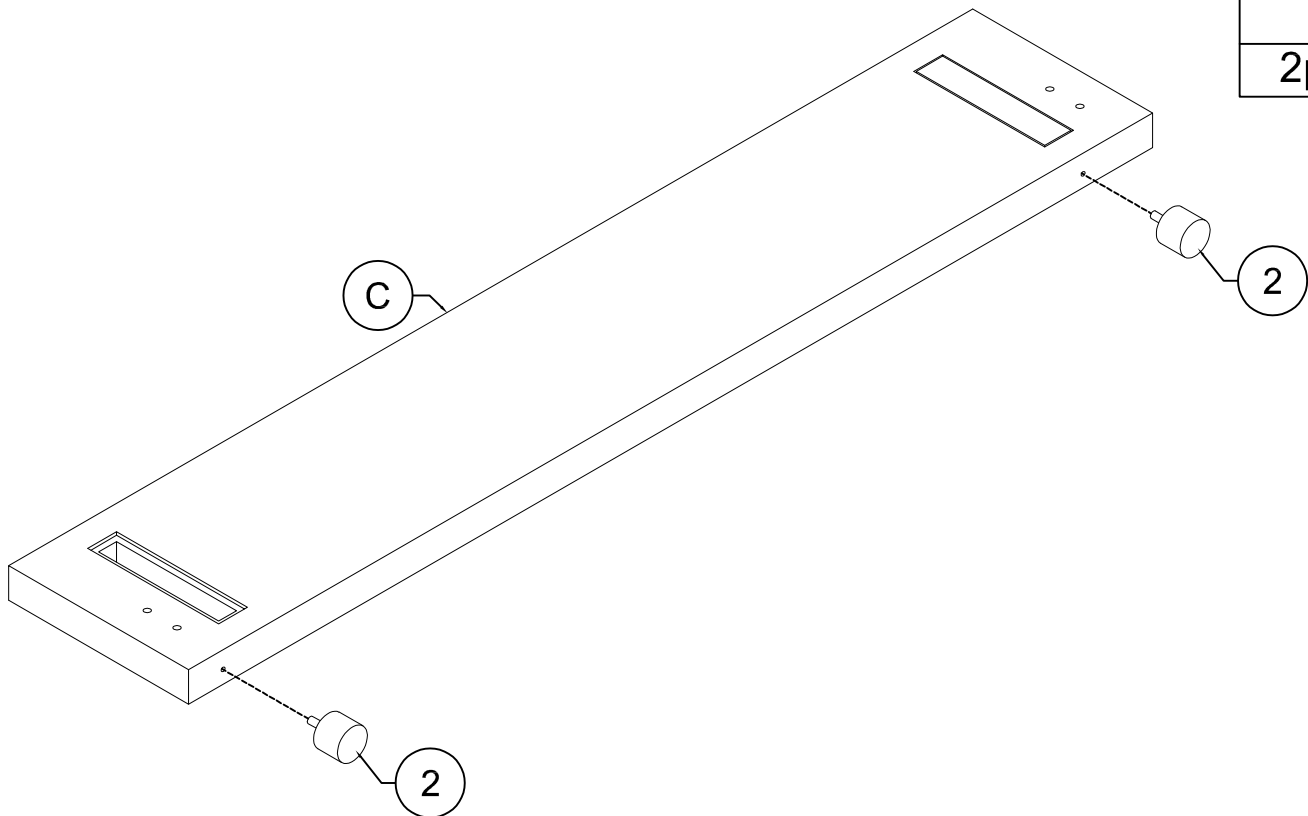
Piston (Left-Right) 1 set

STEP 1: Following below illustration:

2



2pcs

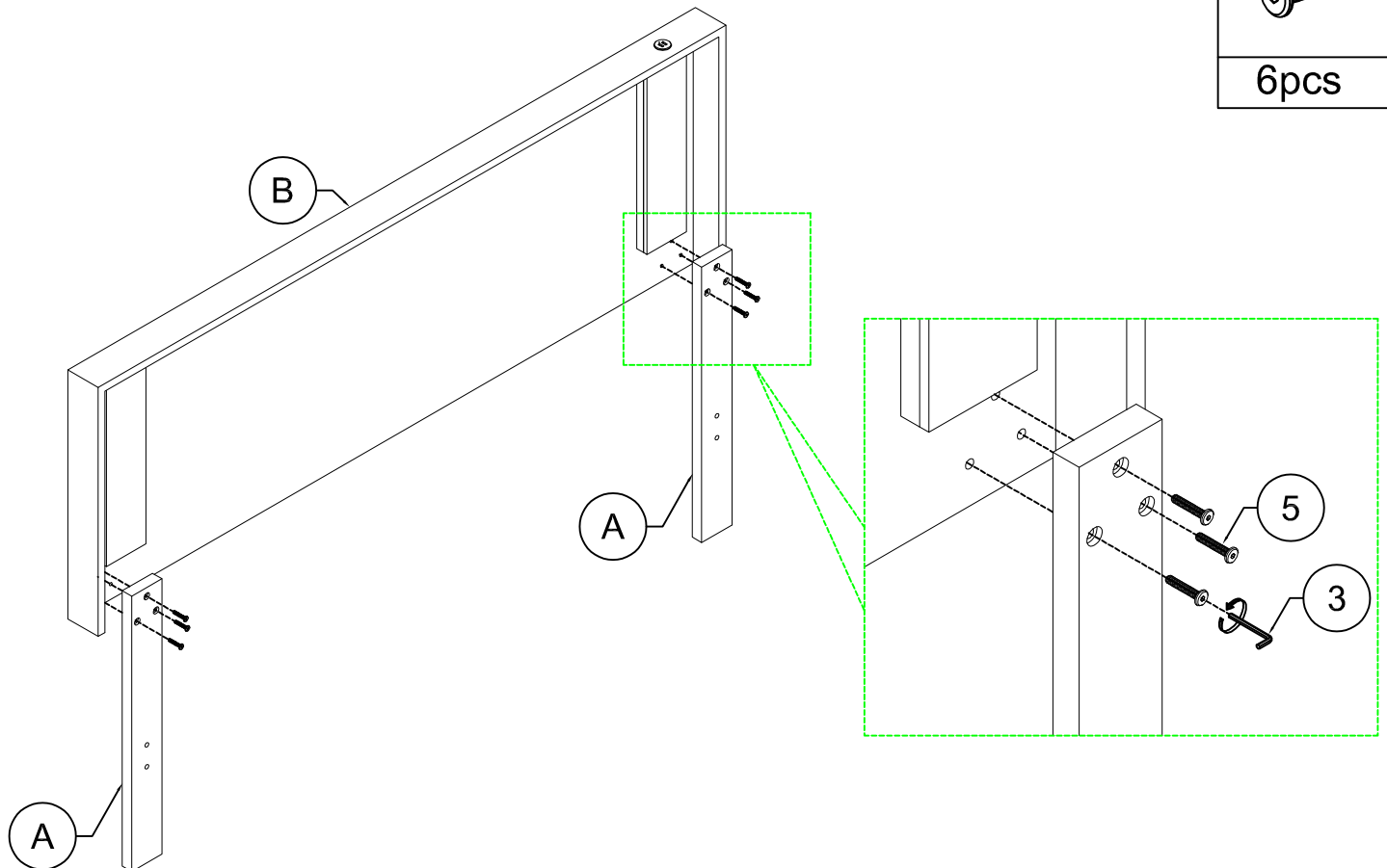


STEP 1-1: Following below illustration:

5




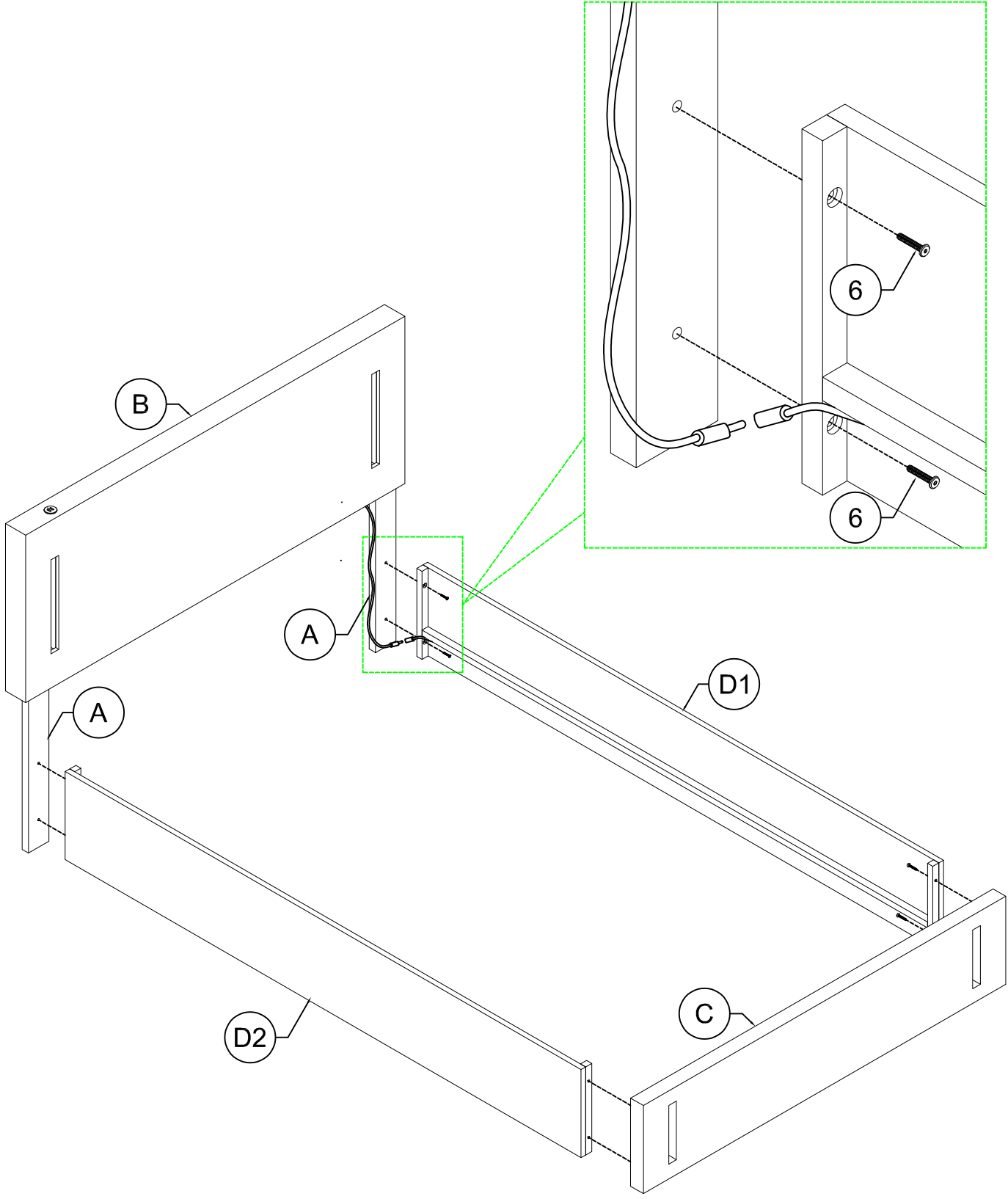
6pcs





6

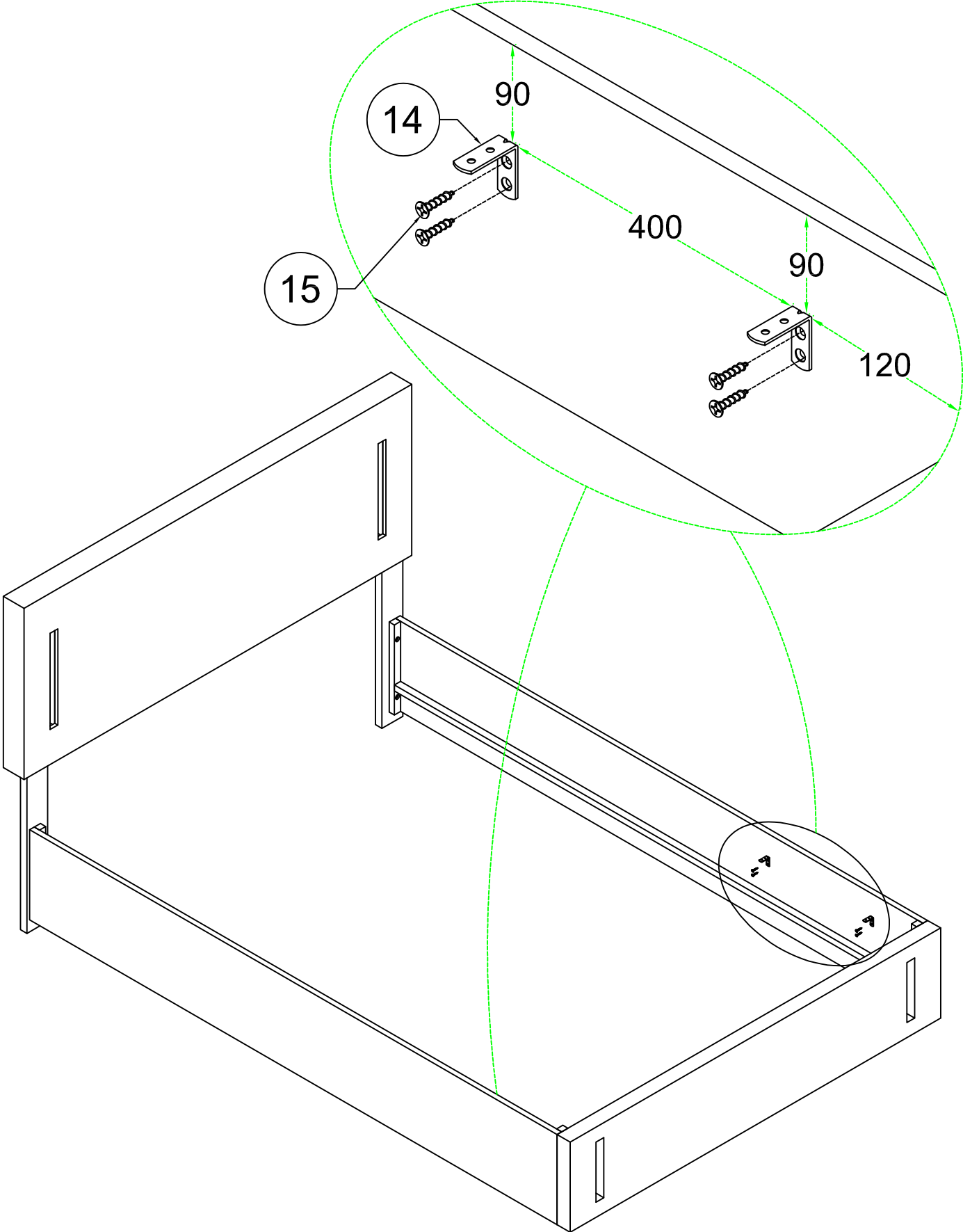
STEP 2: Following below illustration:

6

8pcs

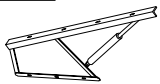
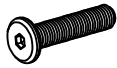


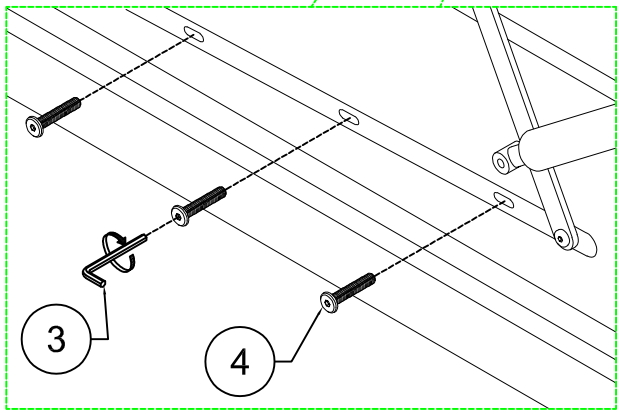
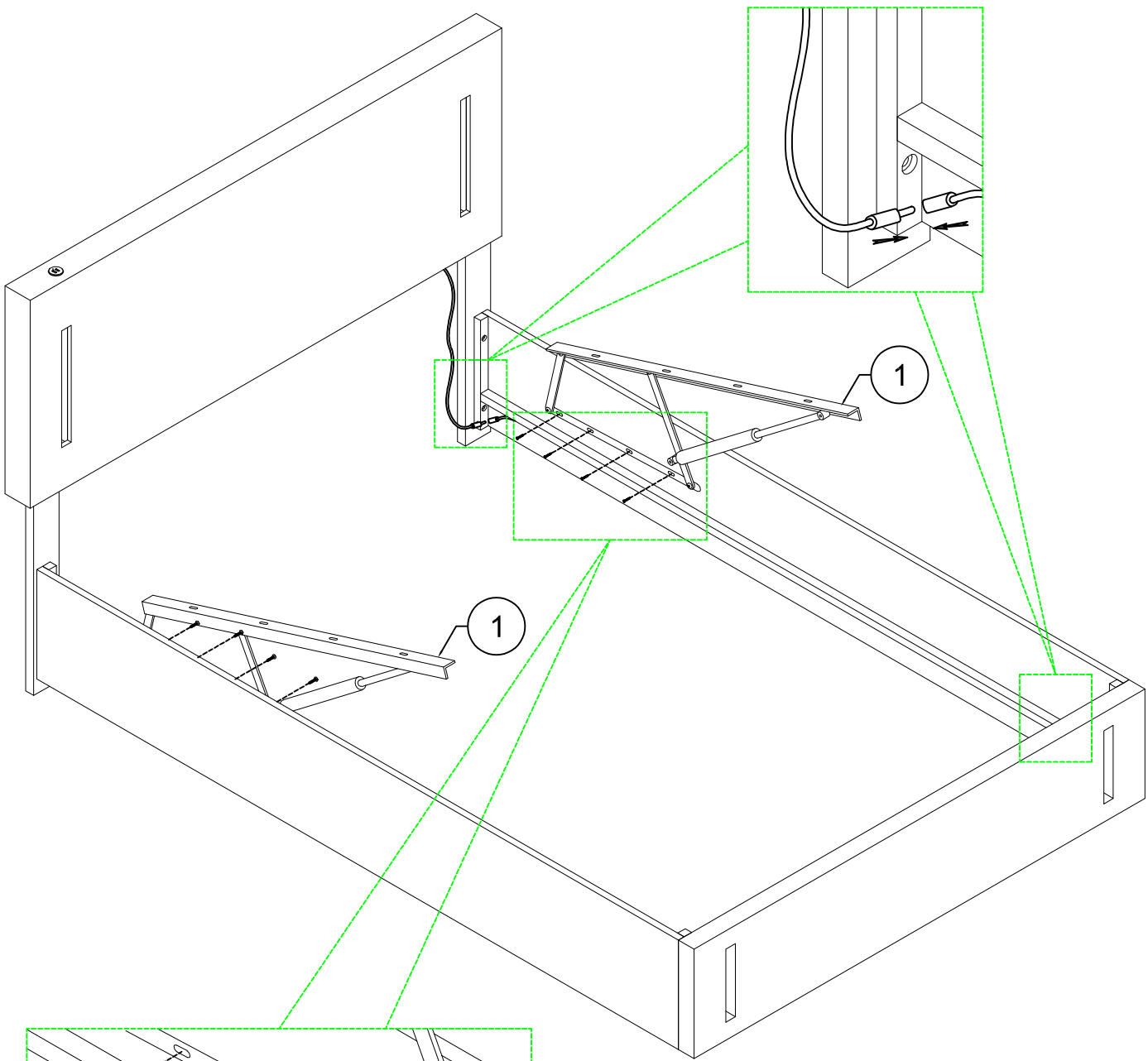
STEP 3: Following below illustration:

14		15	
4pcs		8pcs	

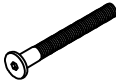

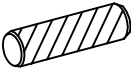


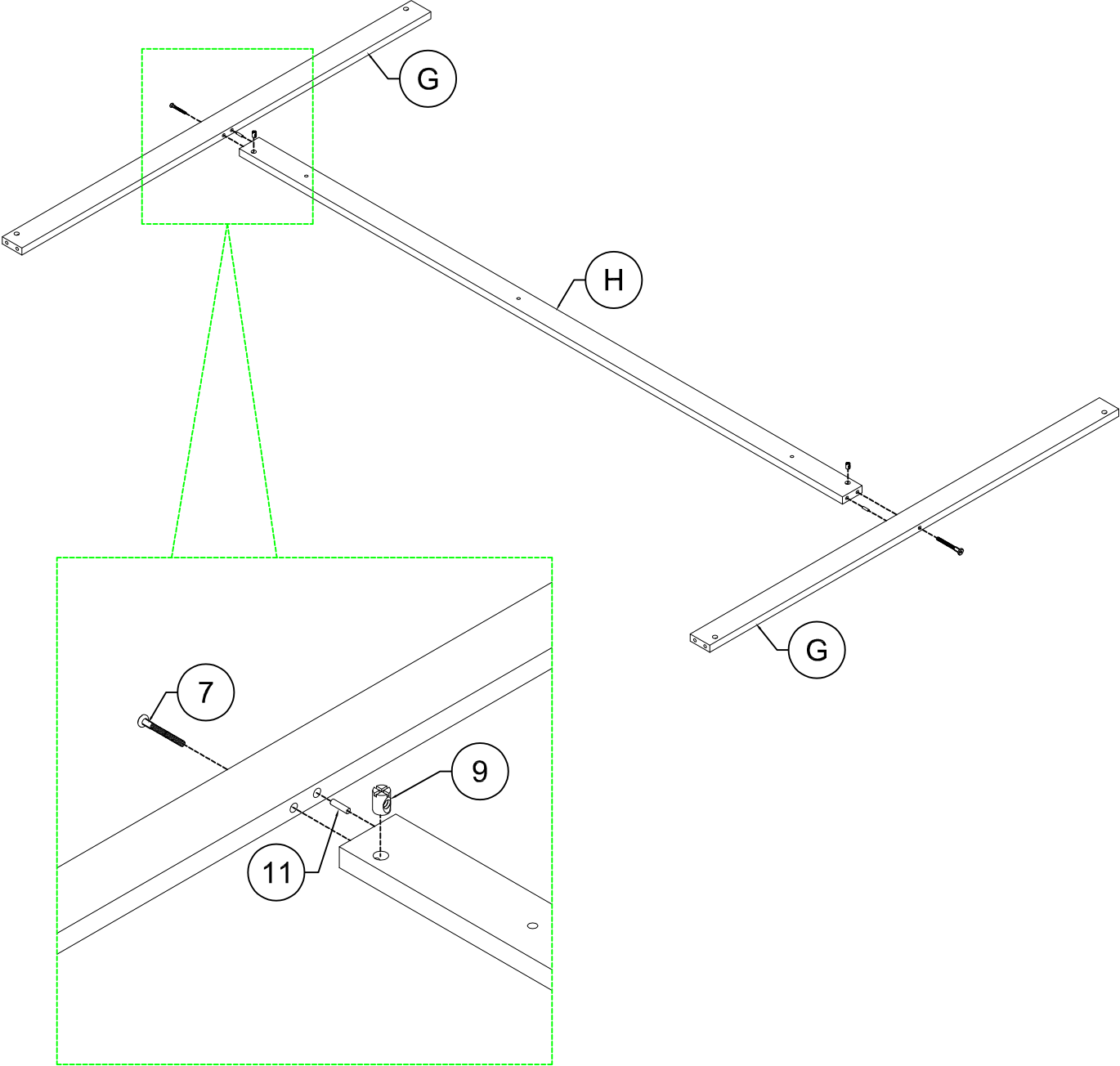
STEP 4: Following below illustration:

1	4
	
1 set	8pcs

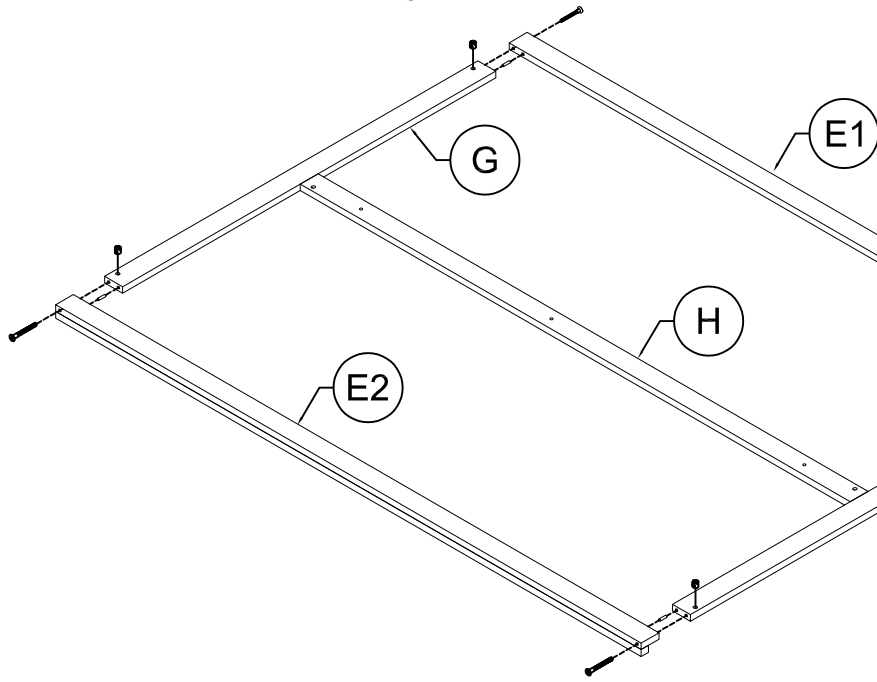




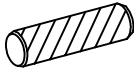
STEP 5: Following below illustration:

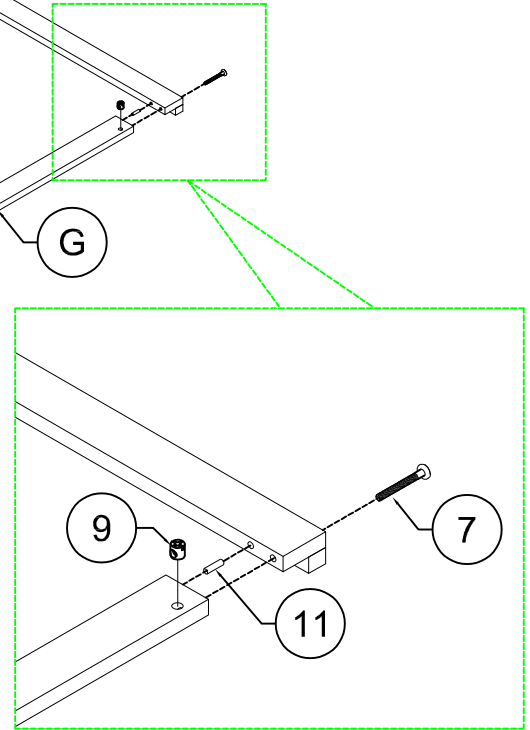
7	9	11
		
2pcs	2pcs	2pcs



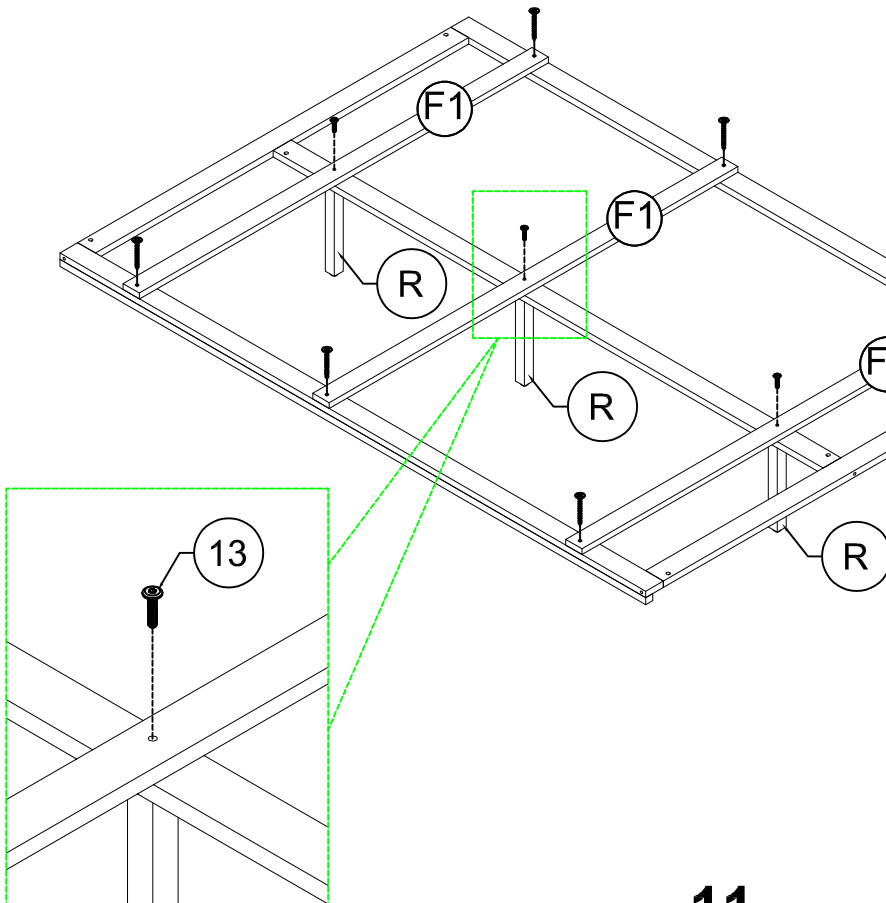
STEP 6: Following below illustration:


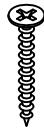


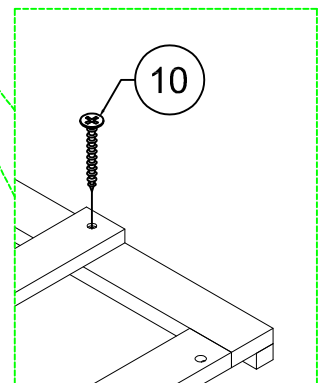
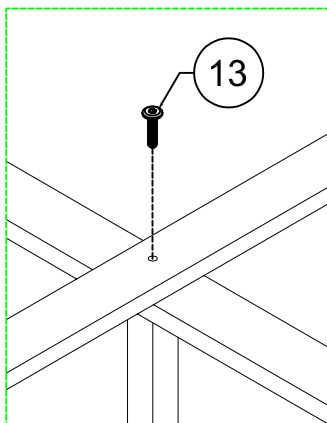
7	9	11
		
4pcs	4pcs	4pcs



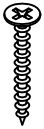

STEP 7: Following below illustration:

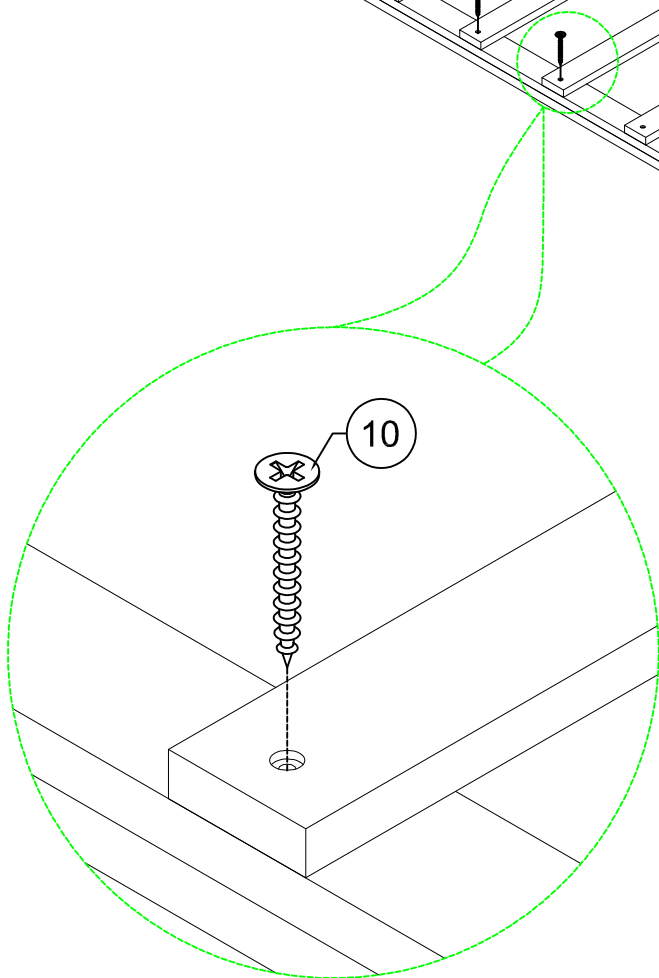
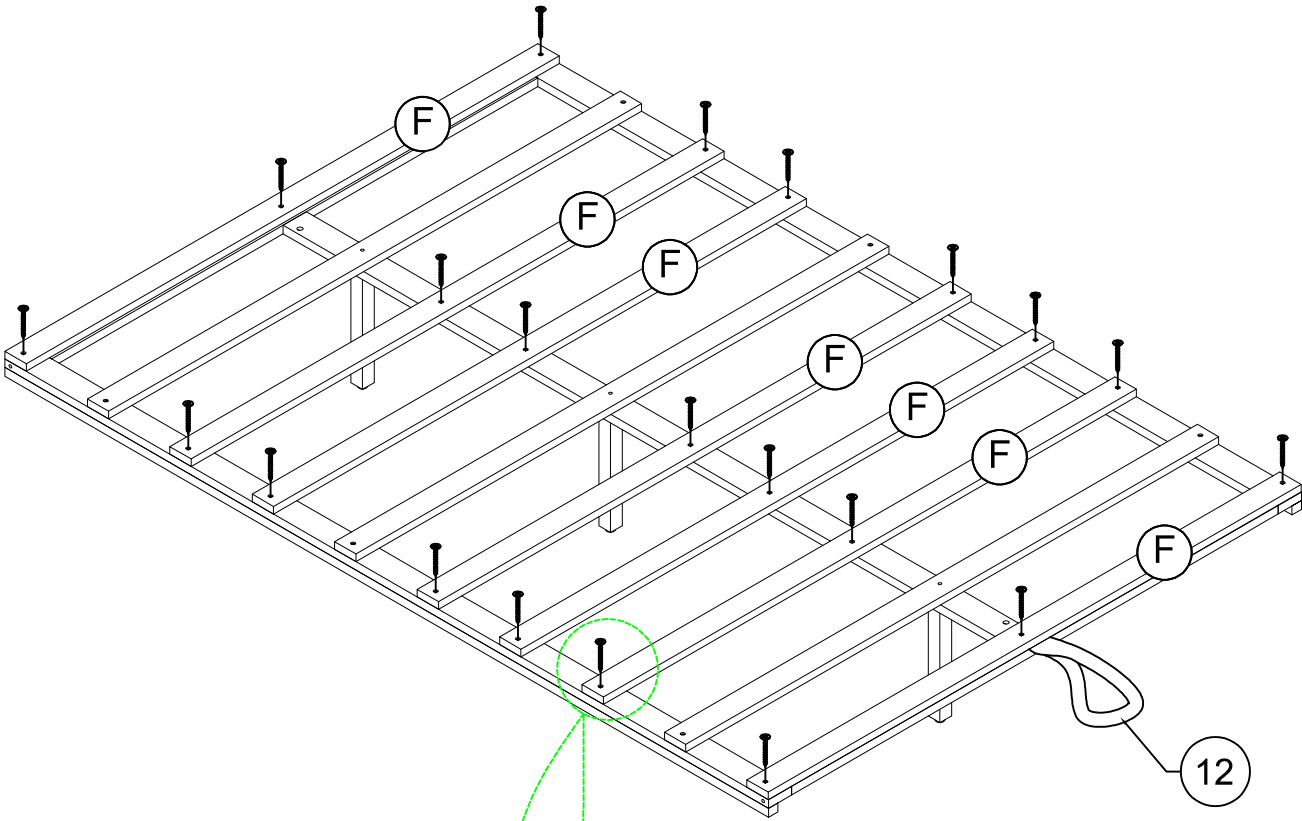


13	10
	
3pcs	6pcs

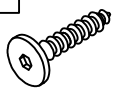


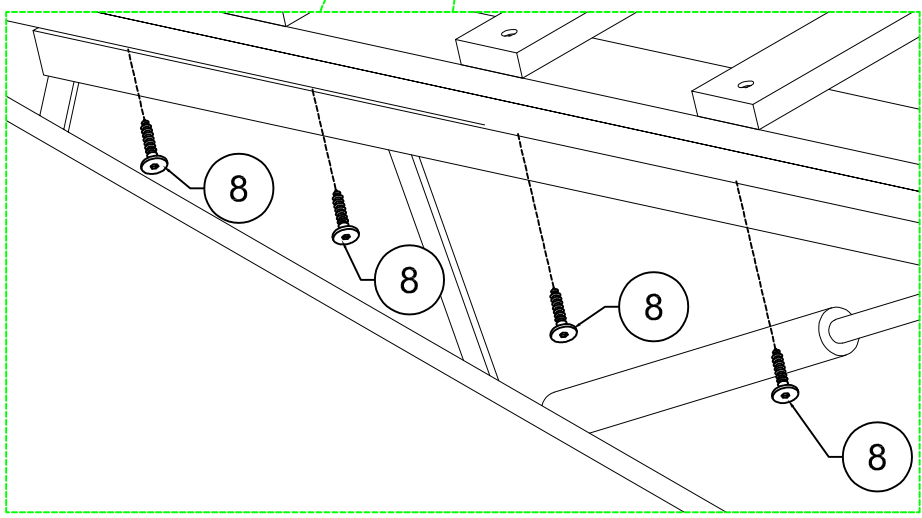
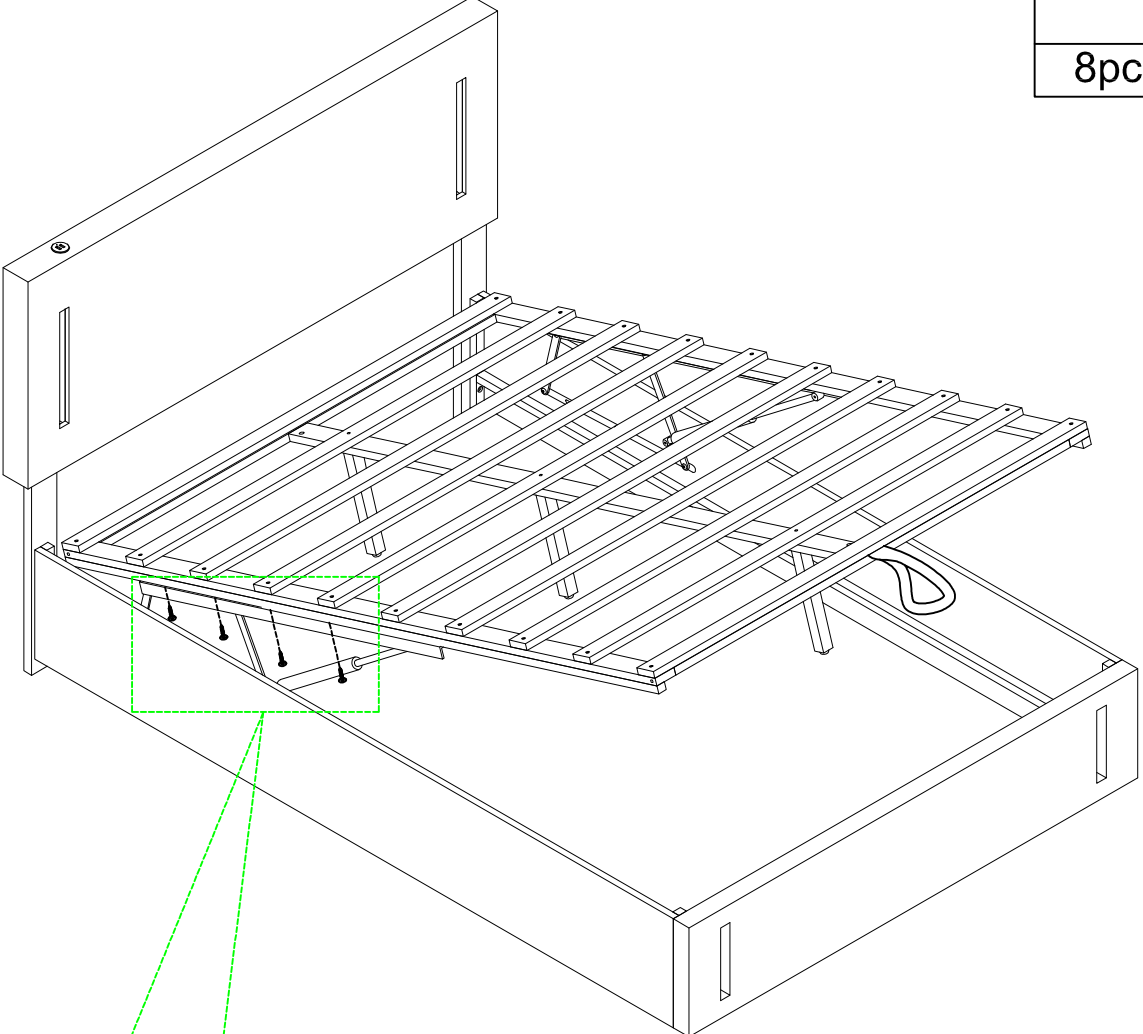
STEP 8: Following below illustration:

10		12	
21pcs		1pcs	



STEP 9: Following below illustration:

8

8pcs



FINISH

