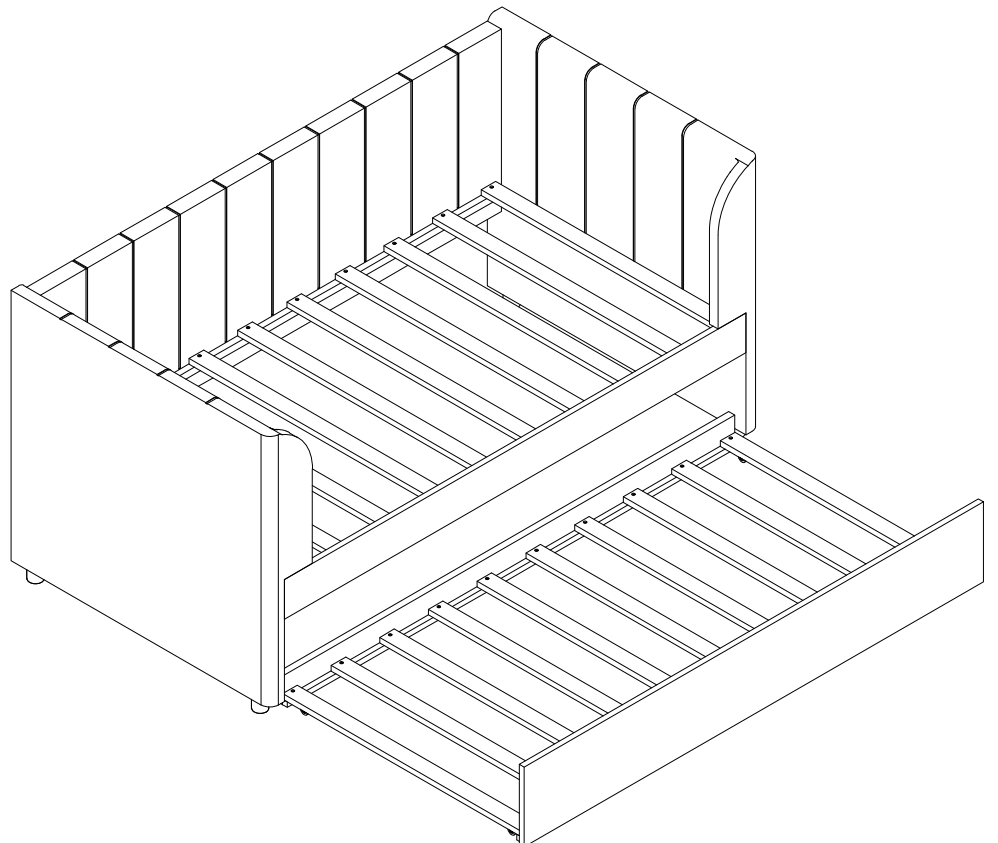
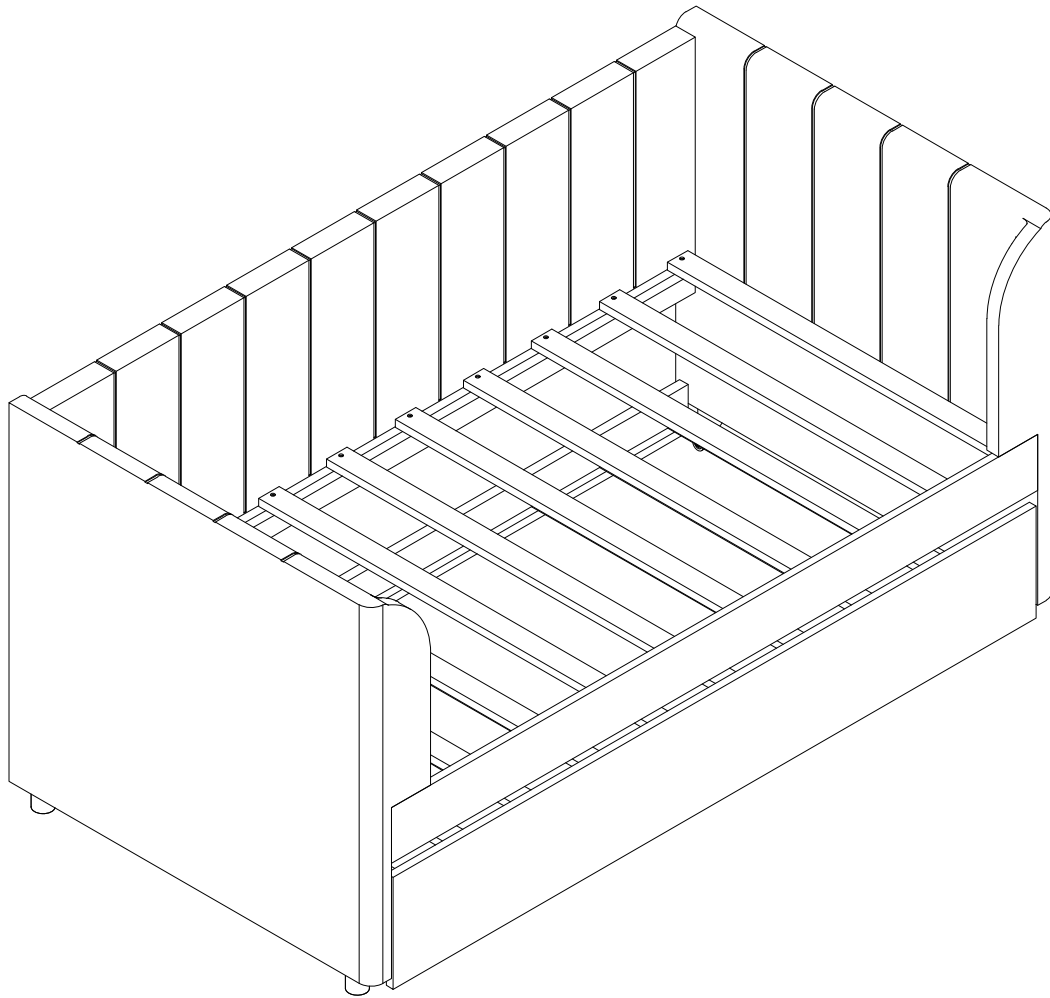
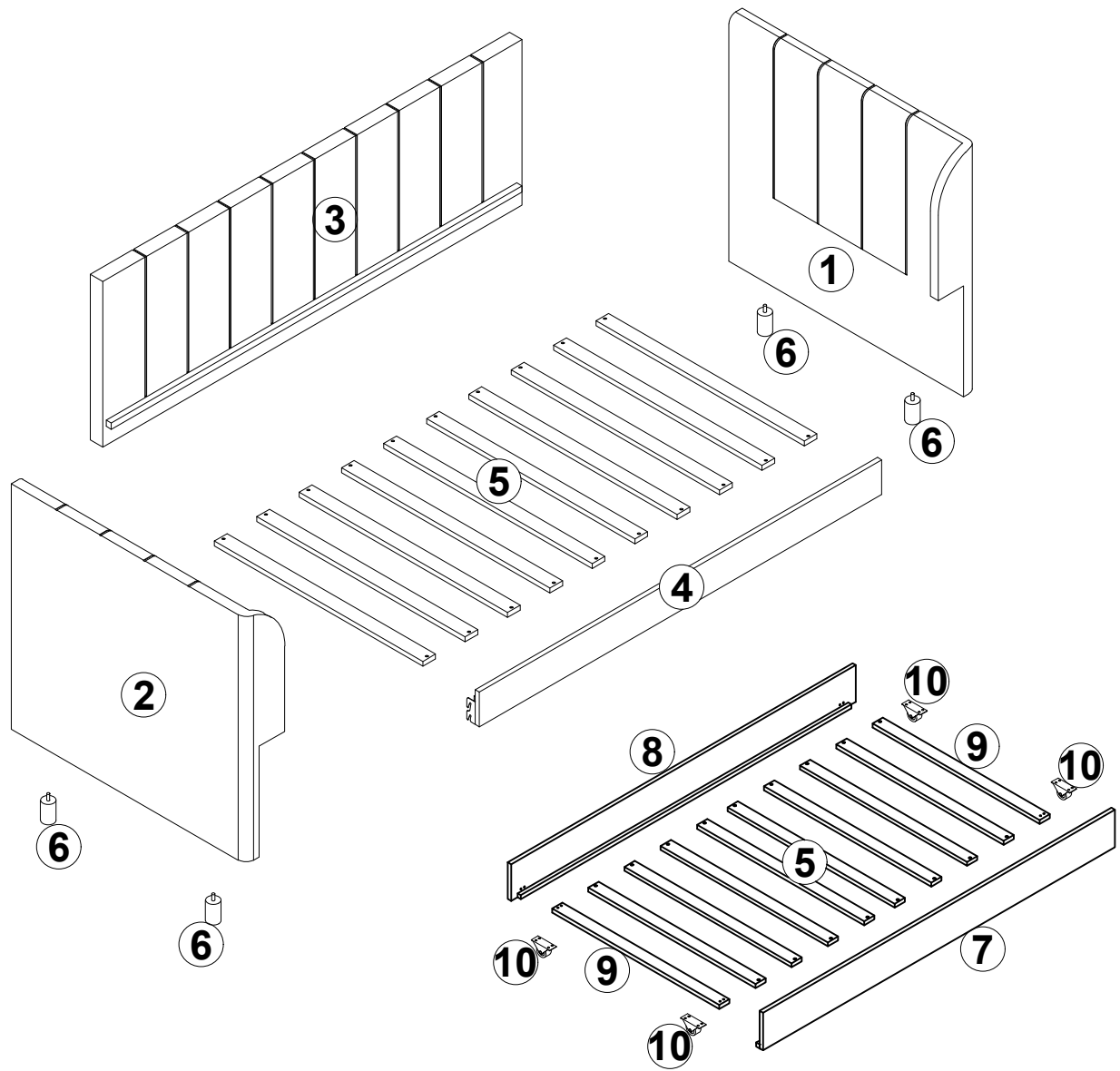


ASSEMBLY INSTRUCTION

SKU CODE: WF314026/WF314027

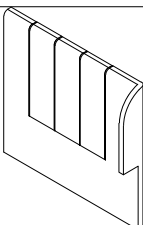
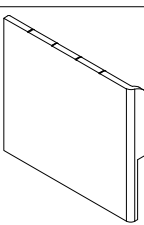
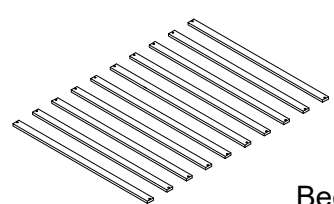


Detail view - TWIN BED WITH TRUNDLE

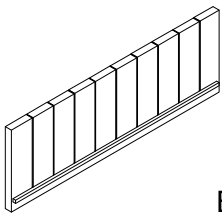
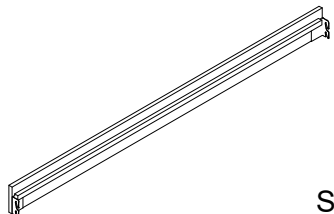
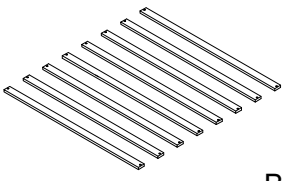
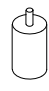
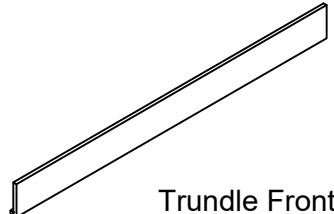
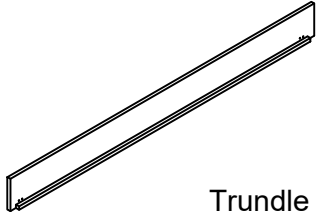
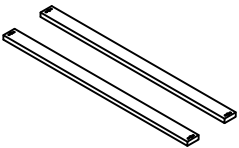
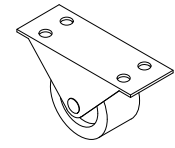


Identifying the Hardware - Identify the hardware using the illustrations below.


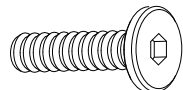
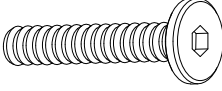


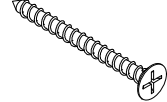
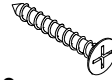
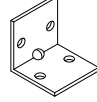
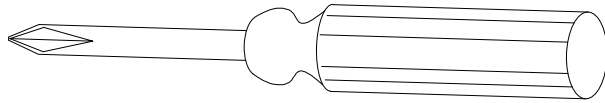
Part Lists: WF314026

<p>1</p>  <p>Headboard-1pc</p>	<p>2</p>  <p>Footboard -1pc</p>
<p>5</p>  <p>Bed Slat 1 -10pcs</p>	

Part Lists: WF314027

<p>3</p>  <p>Back Frame -1pc</p>	<p>4</p>  <p>Side rail -1pc</p>
<p>5</p>  <p>Bed Slat 1 -8pcs</p>	<p>6</p>  <p>Headboard-footboard foot -4pcs</p>
<p>7</p>  <p>Trundle Front Panel -1pc</p>	<p>8</p>  <p>Trundle Back Panel -1pc</p>
<p>9</p>  <p>Bed Slat 2 - 2pcs</p>	<p>10</p>  <p>Support wheel -4pcs</p>

Hardware Lists: WF314026

A  4mm Allen key (1pc)	B  Ø5/16" x 20mm Hex-head bolt (4pcs)
C  Ø5/16" x 40mm Hex-head bolt (4pcs)	D  Ø5/16" Spring washer (8pcs)
E  Ø5/16" Flat washer(8pcs)	F  Ø4 x 30mm Wood screw (40pcs)
G  Ø4 x 20mm Wood screw (32pcs)	H  Metal bracket(4pcs)
 ASSEMBLY TOOLS REQUIRED (NOT INCLUDED)	

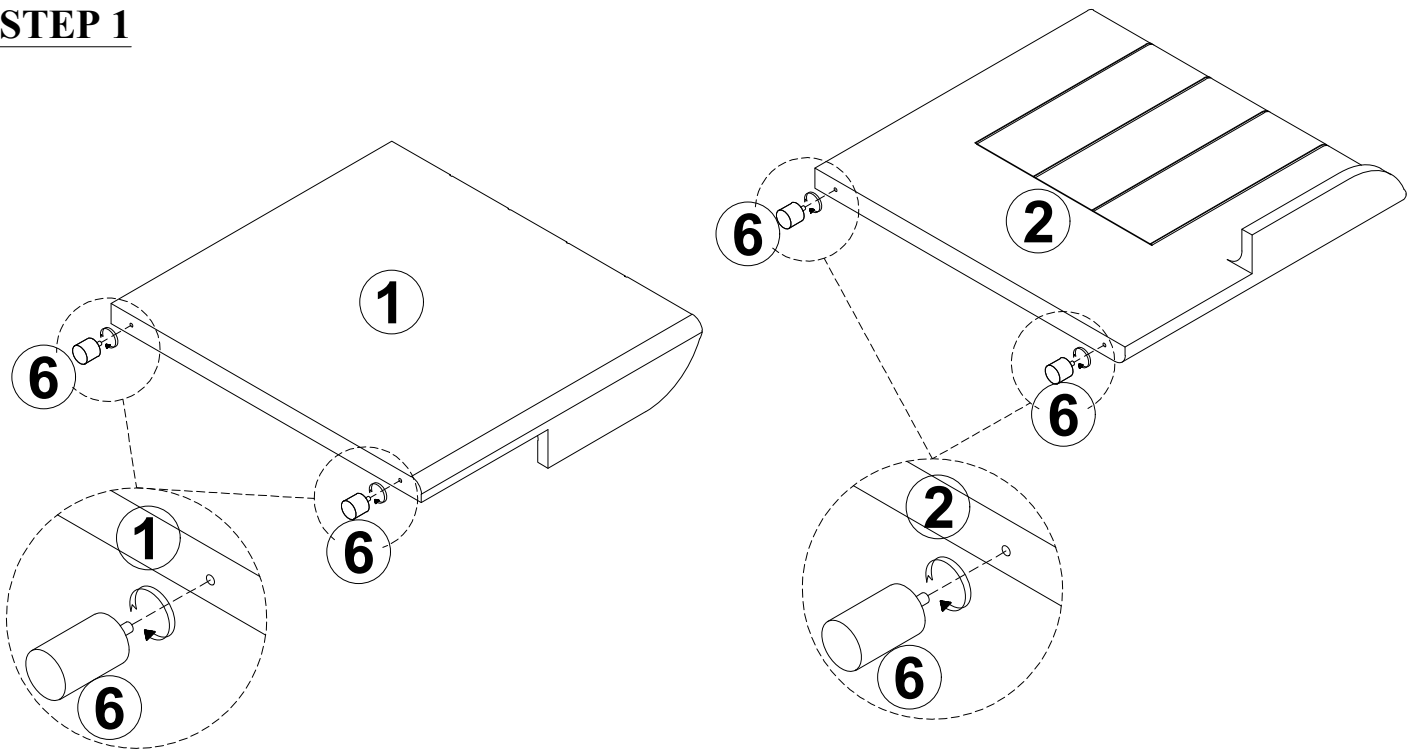
Read this instruction carefully. See hardware and furniture part list for guidance. Be sure all parts are complete, before you assemble. Place all wooden furniture parts on a clean and flat soft surface to prevent from being scratched. Follow the figure to start assembling.

CAUTIONS :

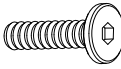


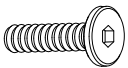
1. Do not FULLY - TIGHTEN the nut or nut bolt until all nut or bolt is ready assembled.
2. Do not OVER - TIGHTEN the nut or bolt to avoid causing damages to the thread.
3. Keep all hardware parts out of reach of children.

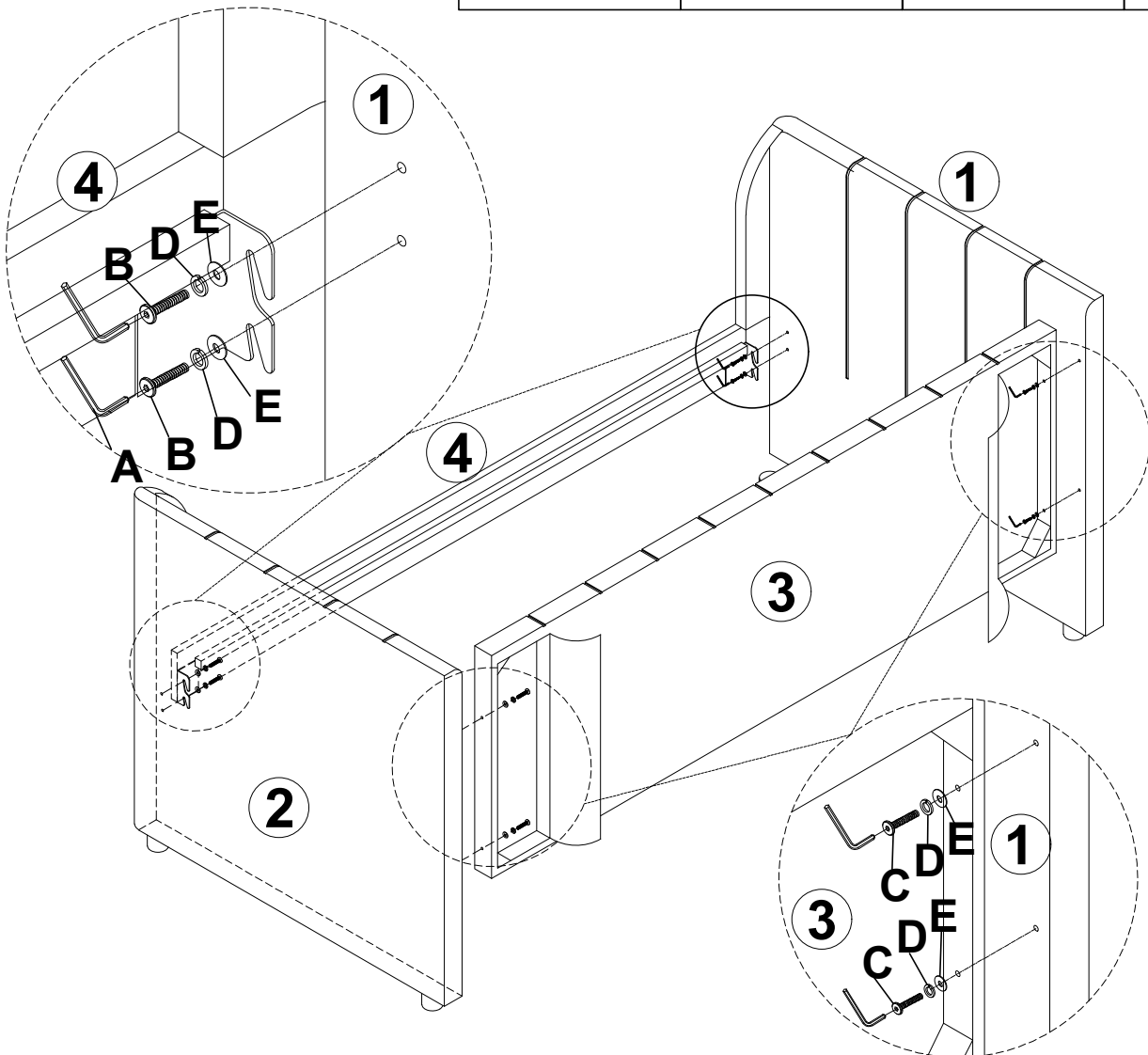
NOTE : THE LIST AND QUANTITY SHOWN ARE FOR 1 UNIT ASSEMBLY.

STEP 1

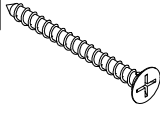


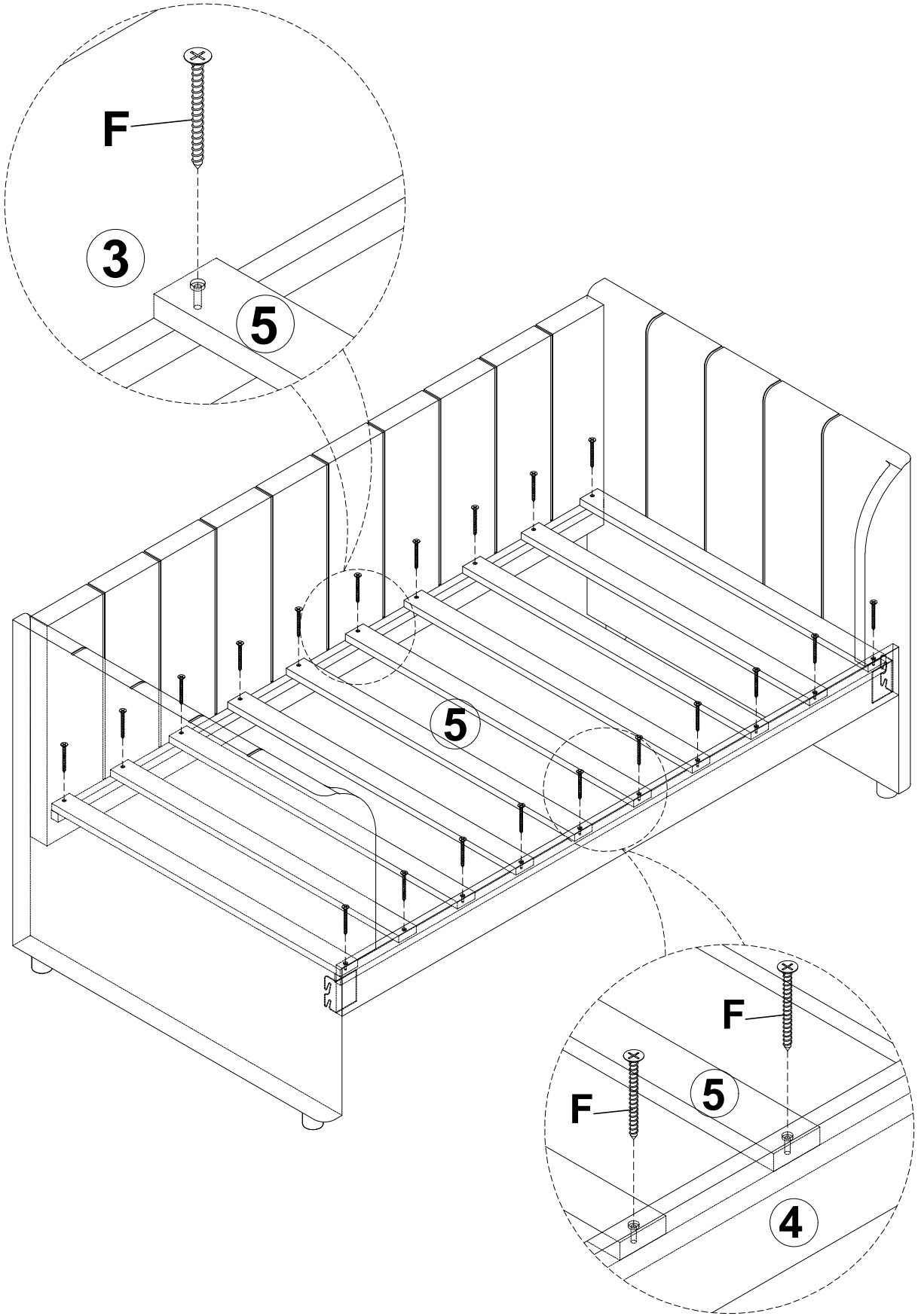
STEP 2

C		E		D		B	
	4PCS		8PCS		8PCS		4PCS

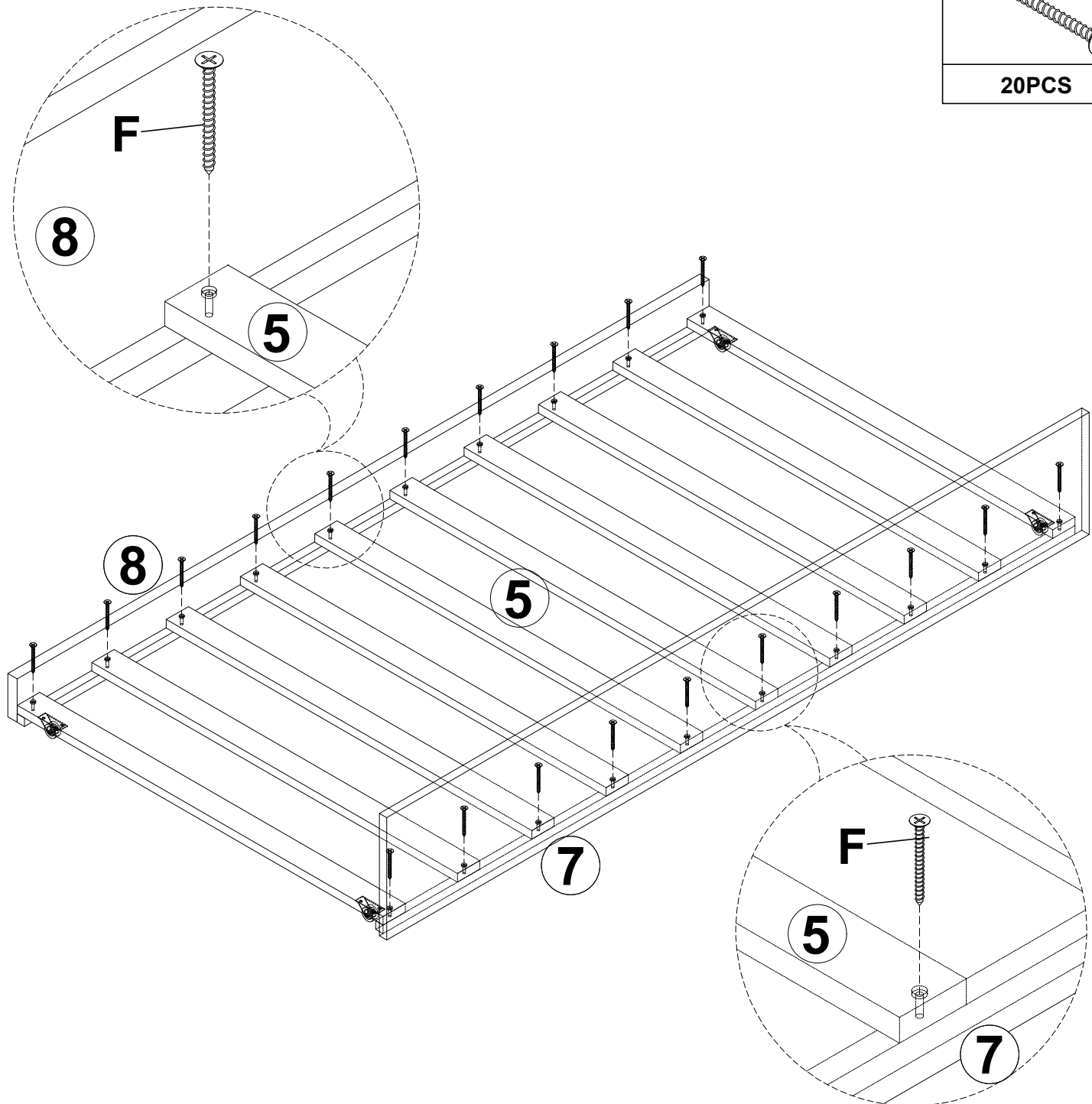
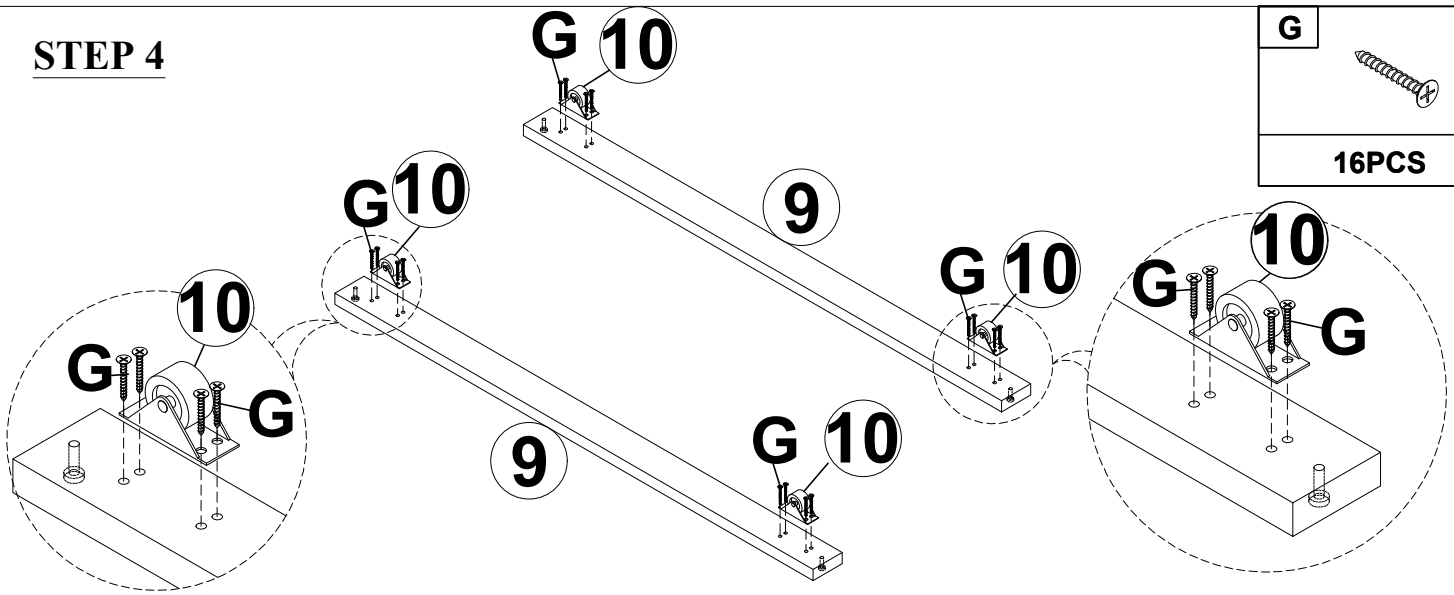


STEP 3

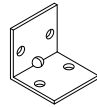

F	
20PCS	

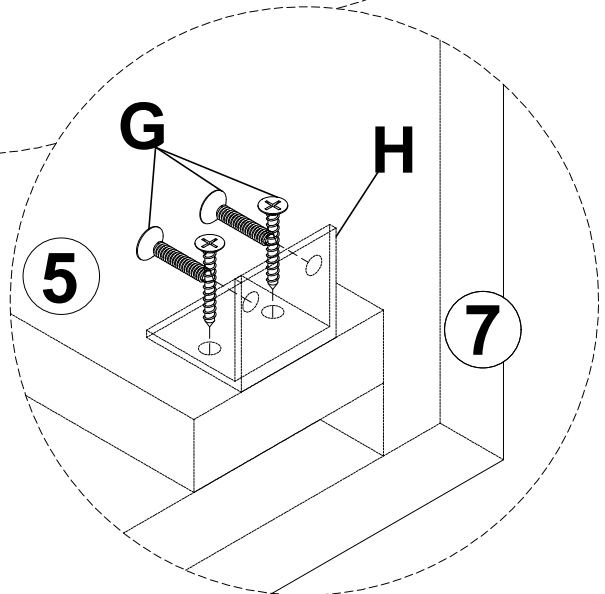
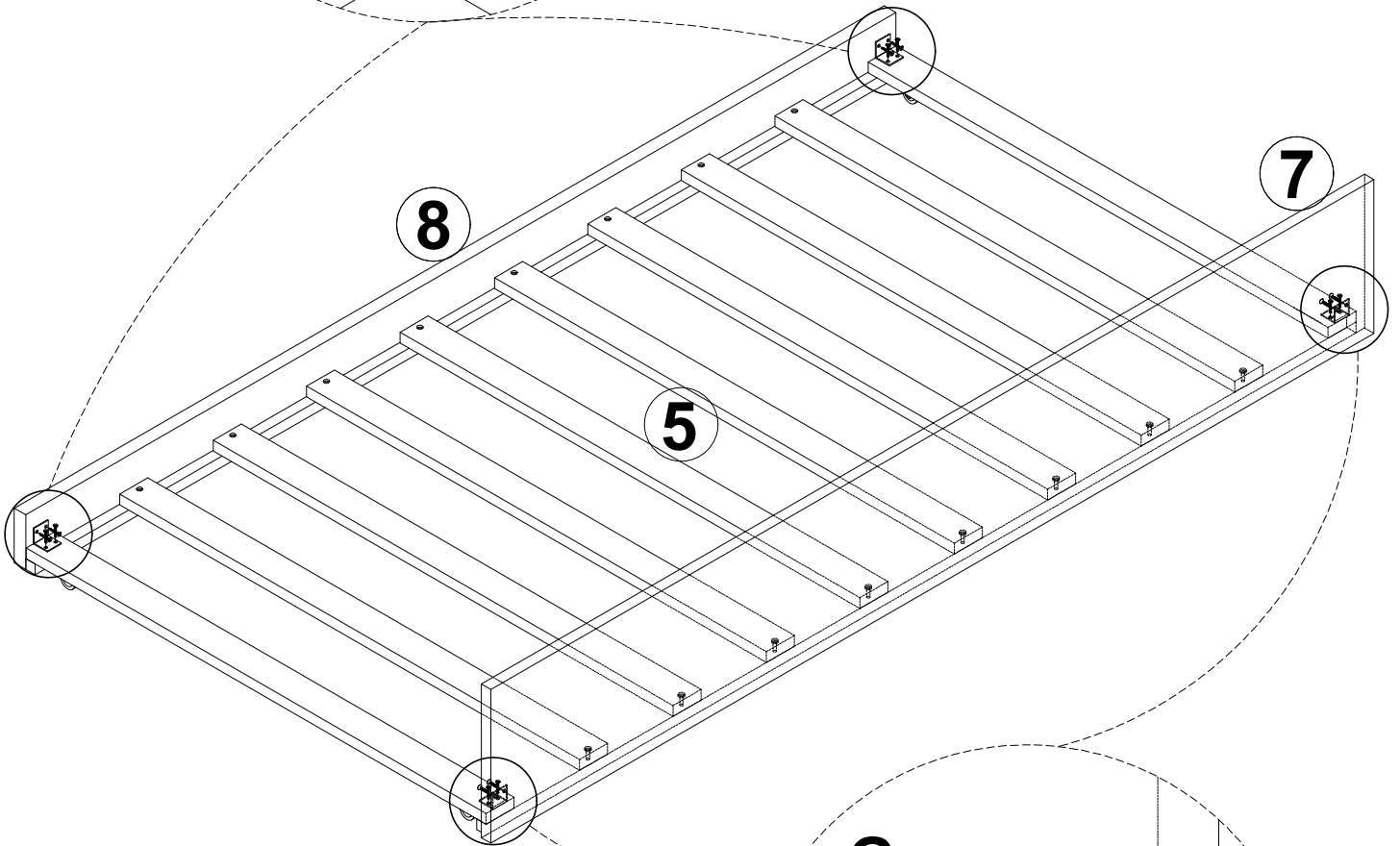
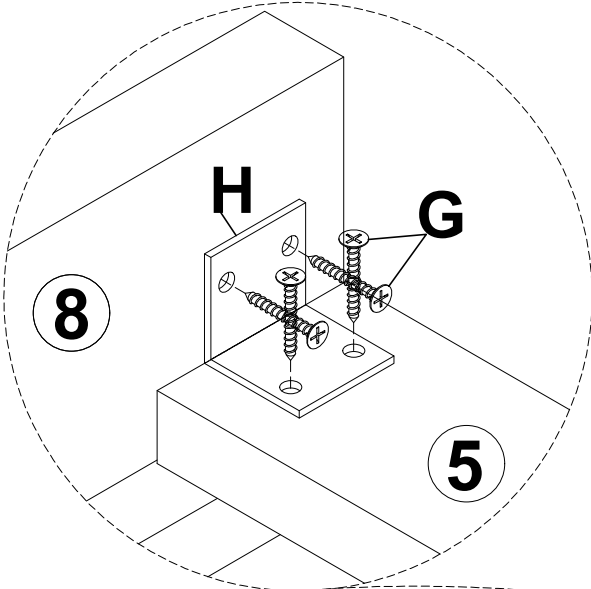


STEP 4



STEP 5

H		G	
4PCS		16PCS	



STEP 6

