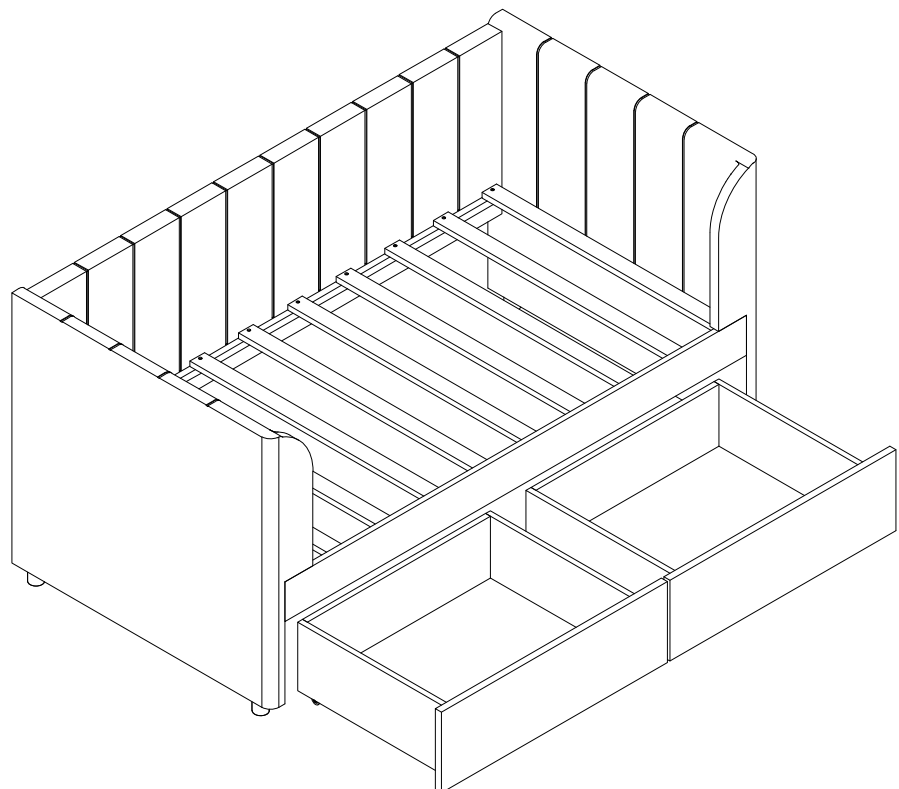
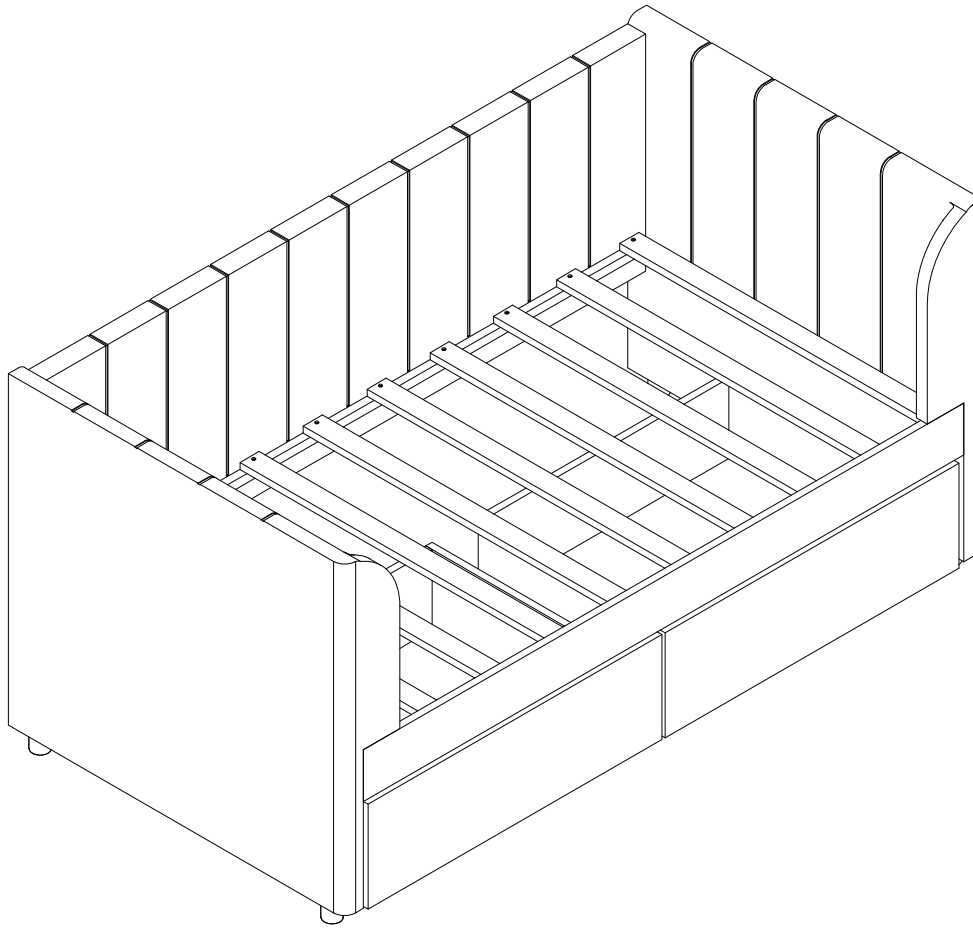
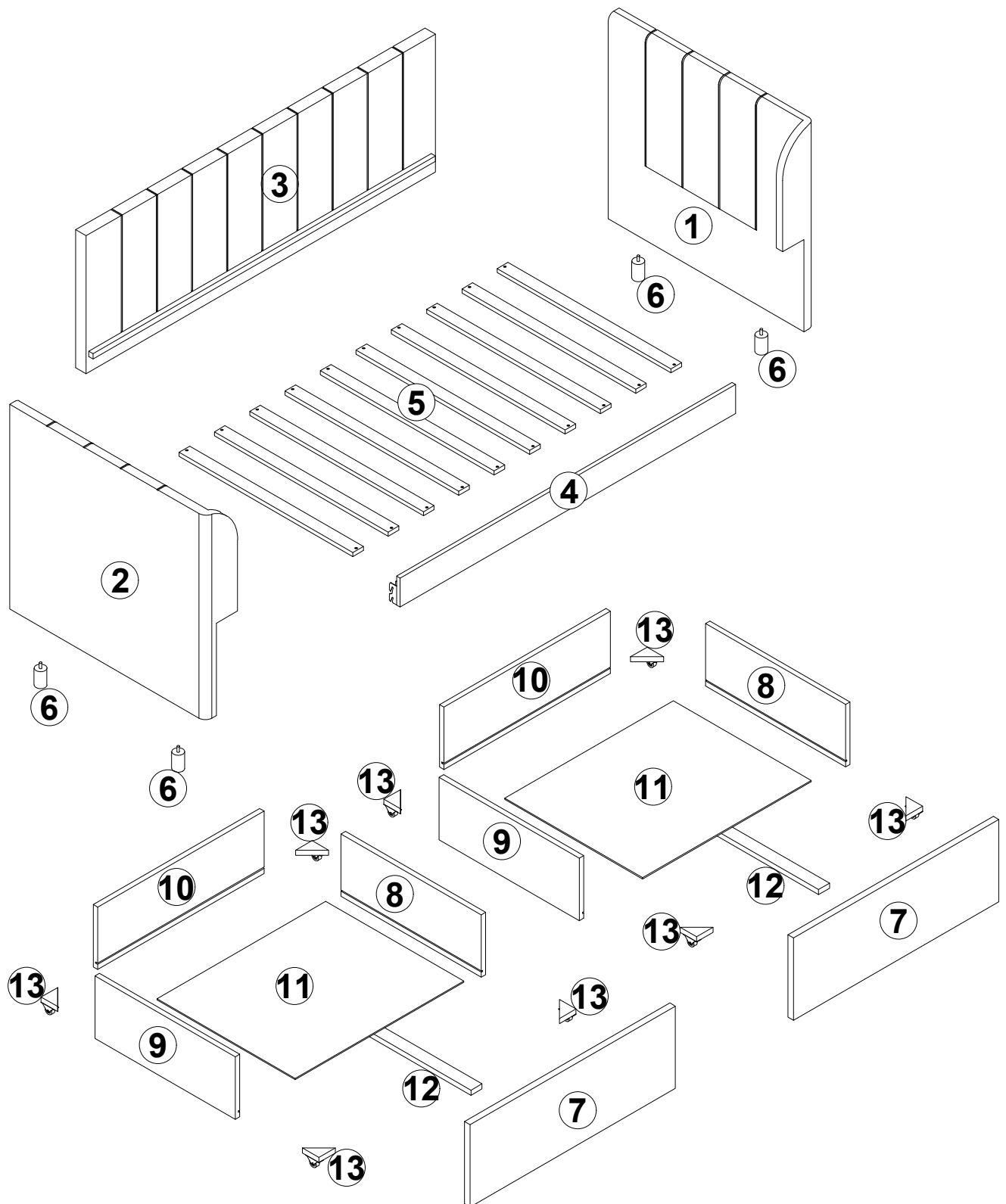


ASSEMBLY INSTRUCTION

SKU CODE: WF314021/WF314022



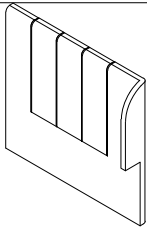
Detail view - TWIN BED WITH TWO DRAWERS



Identifying the Hardware - Identify the hardware using the illustrations below.

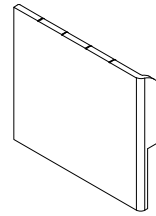
Part Lists: WF314021

1



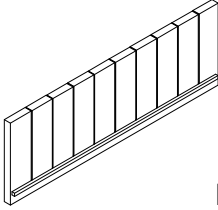
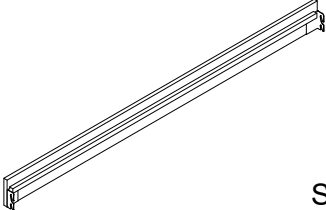
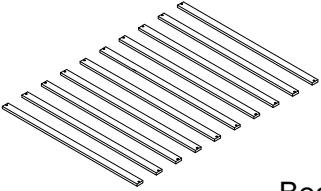
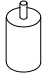
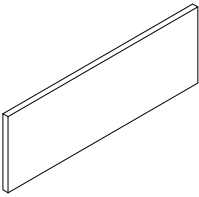
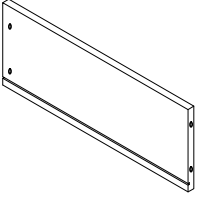
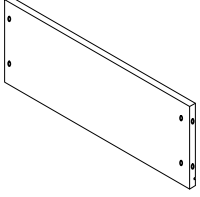
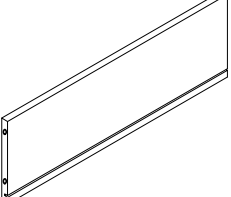
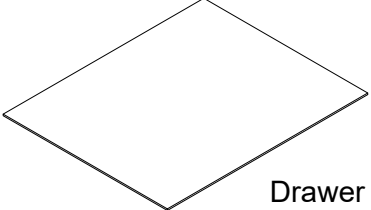
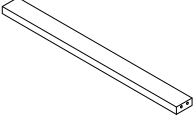
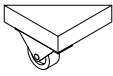
Headboard-1pc

2


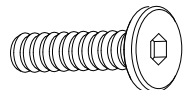
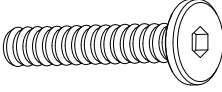


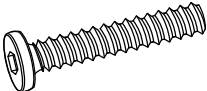
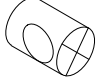
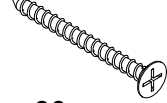
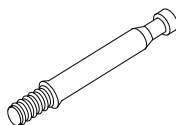

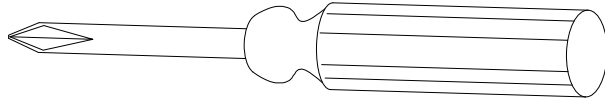


Footboard -1pc

Part Lists: **WF314022**

<p>3</p>  <p>Back Frame -1pc</p>	<p>4</p>  <p>Side rail -1pc</p>
<p>5</p>  <p>Bed Slat -10pcs</p>	<p>6</p>  <p>Headboard-footboard foot -4pcs</p>
<p>7</p>  <p>Drawer front -2pcs</p>	<p>8</p>  <p>Drawer right -2pcs</p>
<p>9</p>  <p>Drawer left -2pcs</p>	<p>10</p>  <p>Drawer back -2pcs</p>
<p>11</p>  <p>Drawer Bottom -2pcs</p>	<p>12</p>  <p>Drawer bottom support -2pcs</p>
<p>13</p>  <p>Drawer corner support -8pcs</p>	

Hardware Lists: WF314021

A  4mm Allen key (1pc)	B  Ø5/16" x 20mm Hex-head bolt (4pcs)
C  Ø5/16" x 40mm Hex-head bolt (4pcs)	D  Ø5/16" Spring washer (8pcs)
E  Ø5/16" Flat washer(8pcs)	F  Ø1/4" x 50mm Hex-head bolt (8pcs)
G  Ø1/4" Barrel nut (8pcs)	H  Ø4 x 30mm Wood screw (44pcs)
I  Cam bolt (8pcs)	J  Cam lock(8pcs)
 ASSEMBLY TOOLS REQUIRED (NOT INCLUDED)	

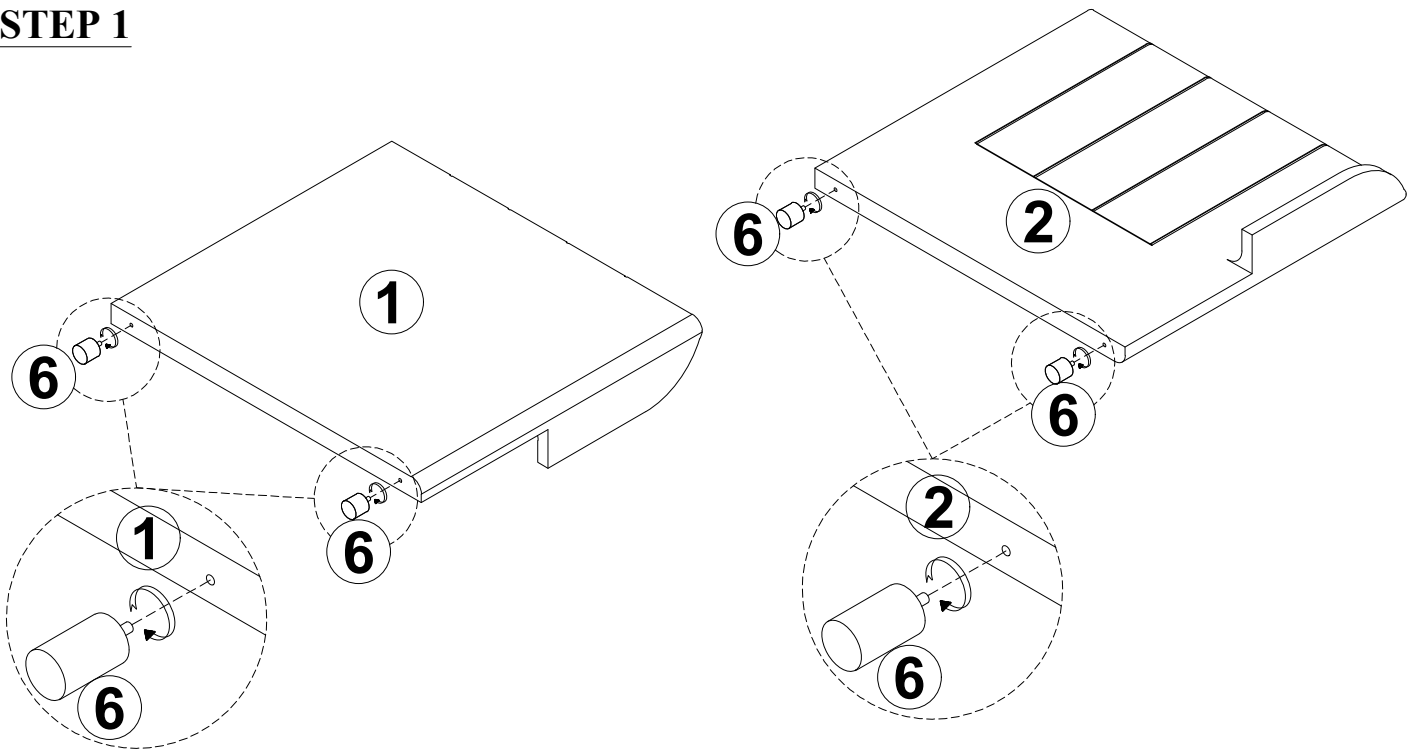
Read this instruction carefully. See hardware and furniture part list for guidance. Be sure all parts are complete, before you assemble. Place all wooden furniture parts on a clean and flat soft surface to prevent from being scratched. Follow the figure to start assembling.

CAUTIONS :

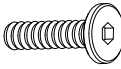


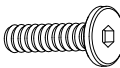
1. Do not FULLY - TIGHTEN the nut or nut bolt until all nut or bolt is ready assembled.
2. Do not OVER - TIGHTEN the nut or bolt to avoid causing damages to the thread.
3. Keep all hardware parts out of reach of children.

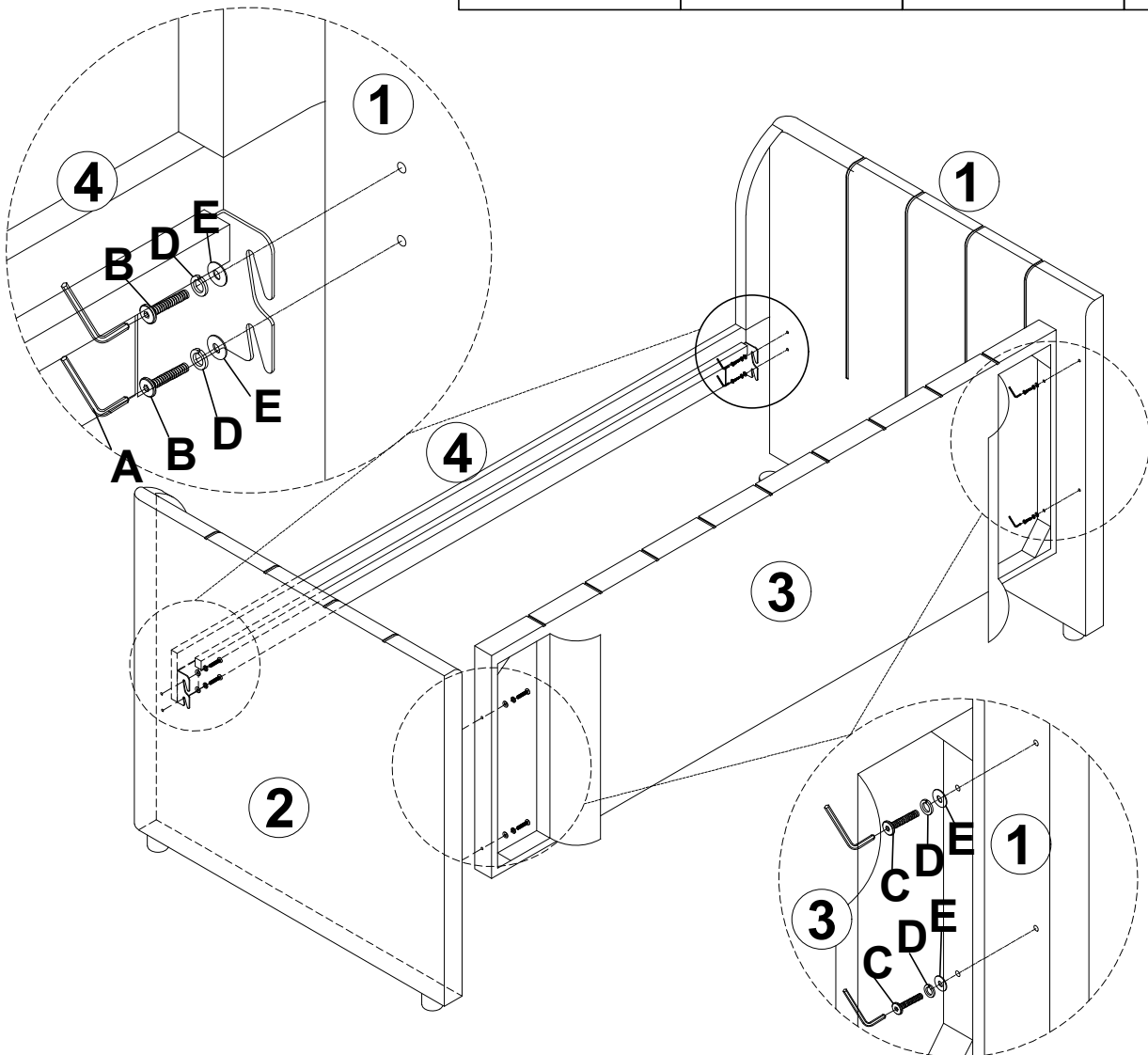
NOTE : THE LIST AND QUANTITY SHOWN ARE FOR 1 UNIT ASSEMBLY.

STEP 1



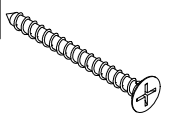
STEP 2

C		E		D		B	
	4PCS		8PCS		8PCS		4PCS

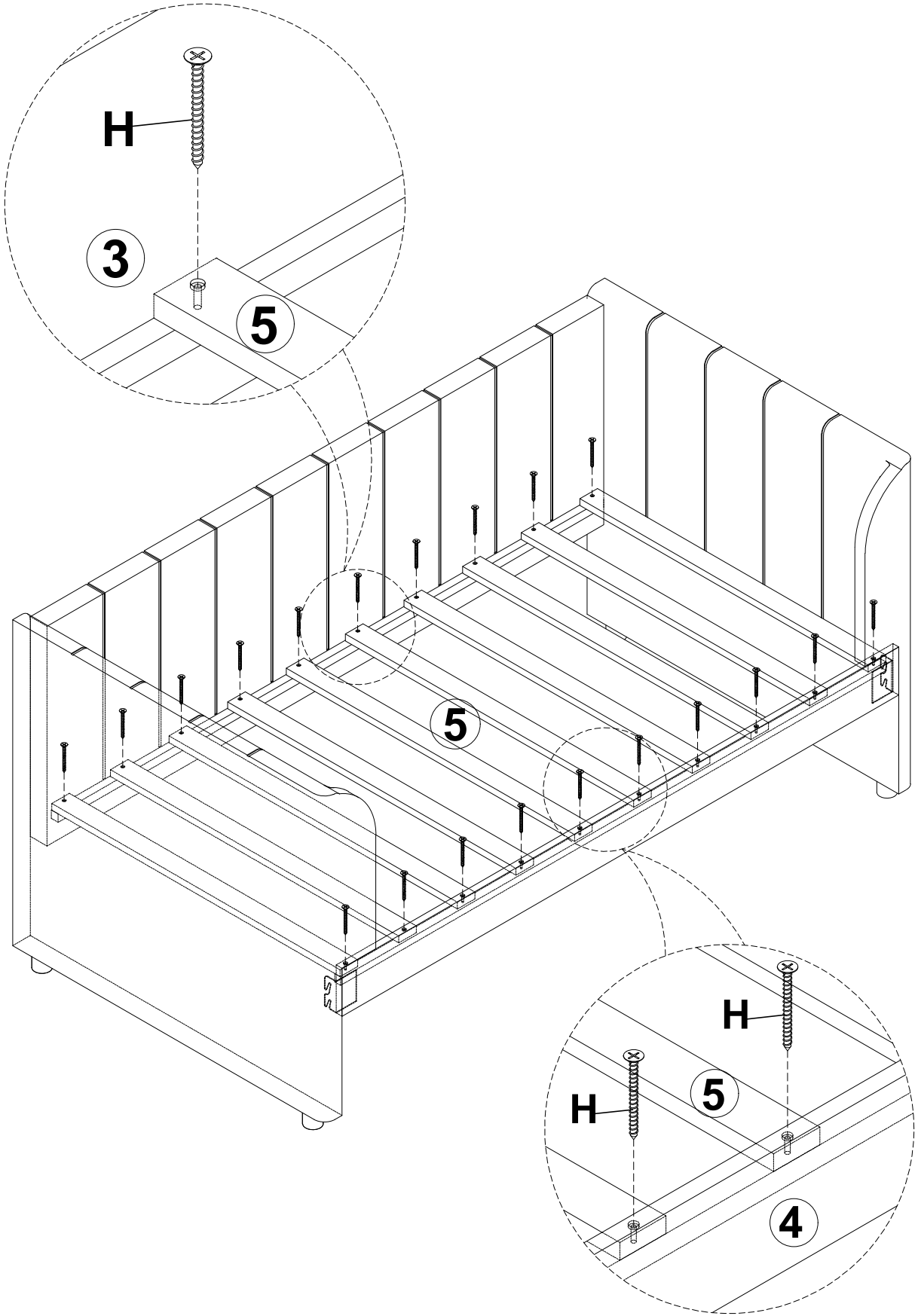


STEP 3

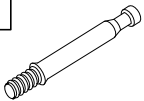
H

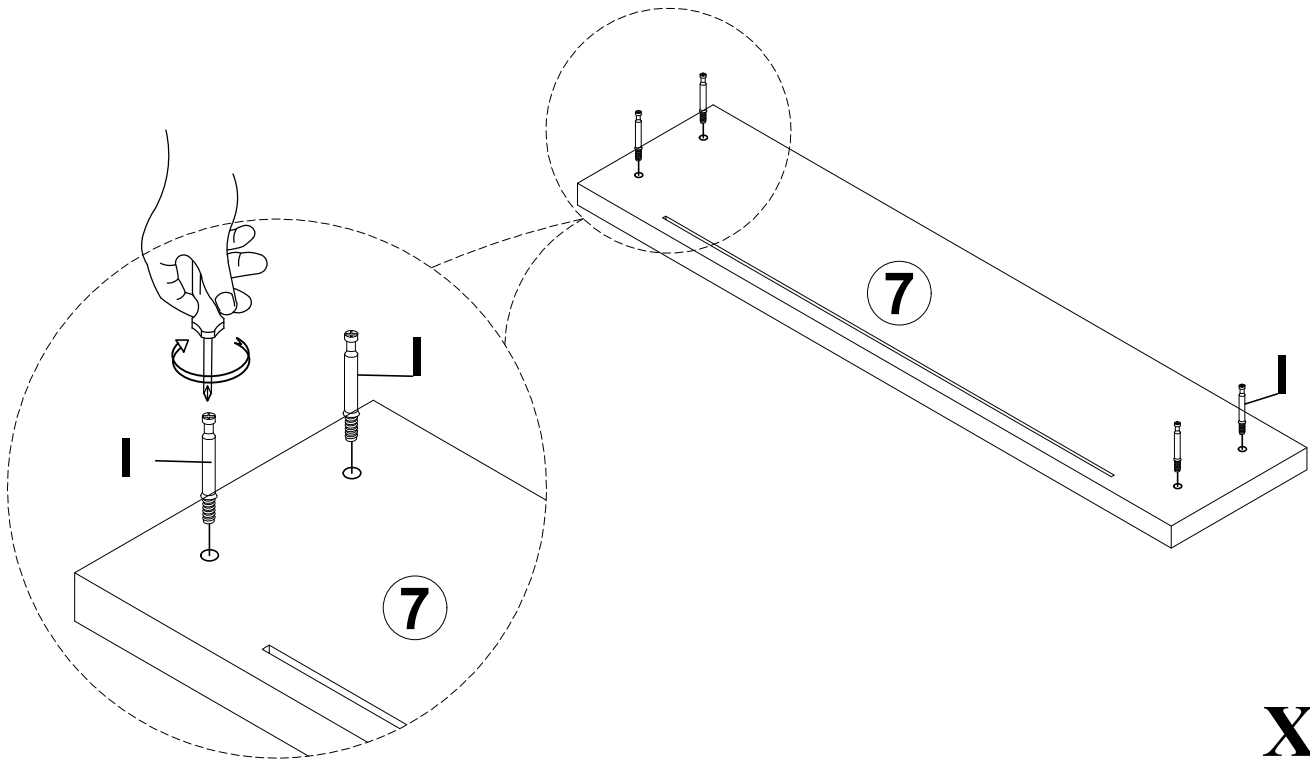


20PCS




STEP 4

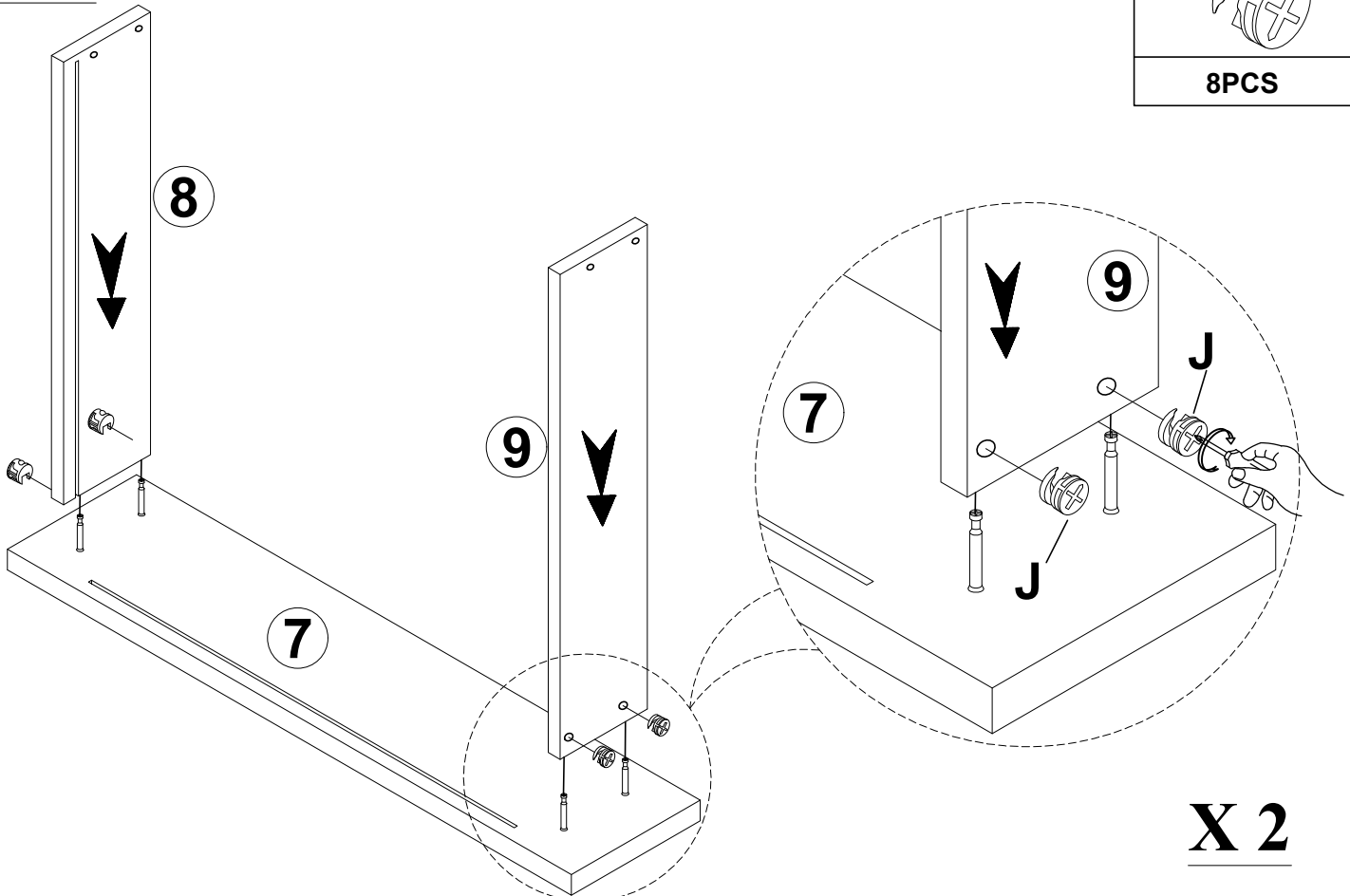
I	
8PCS	



X 2

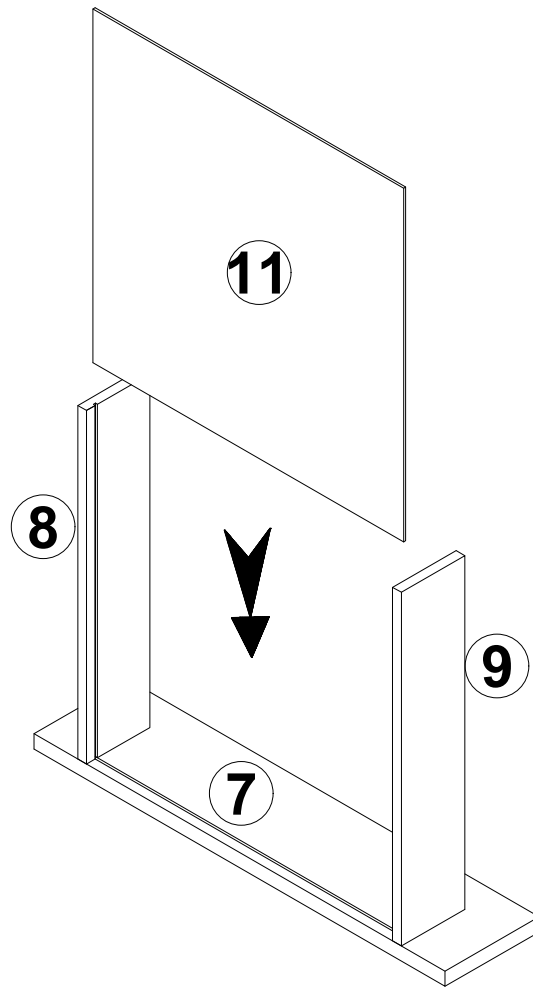
STEP 5

J	
8PCS	





X 2

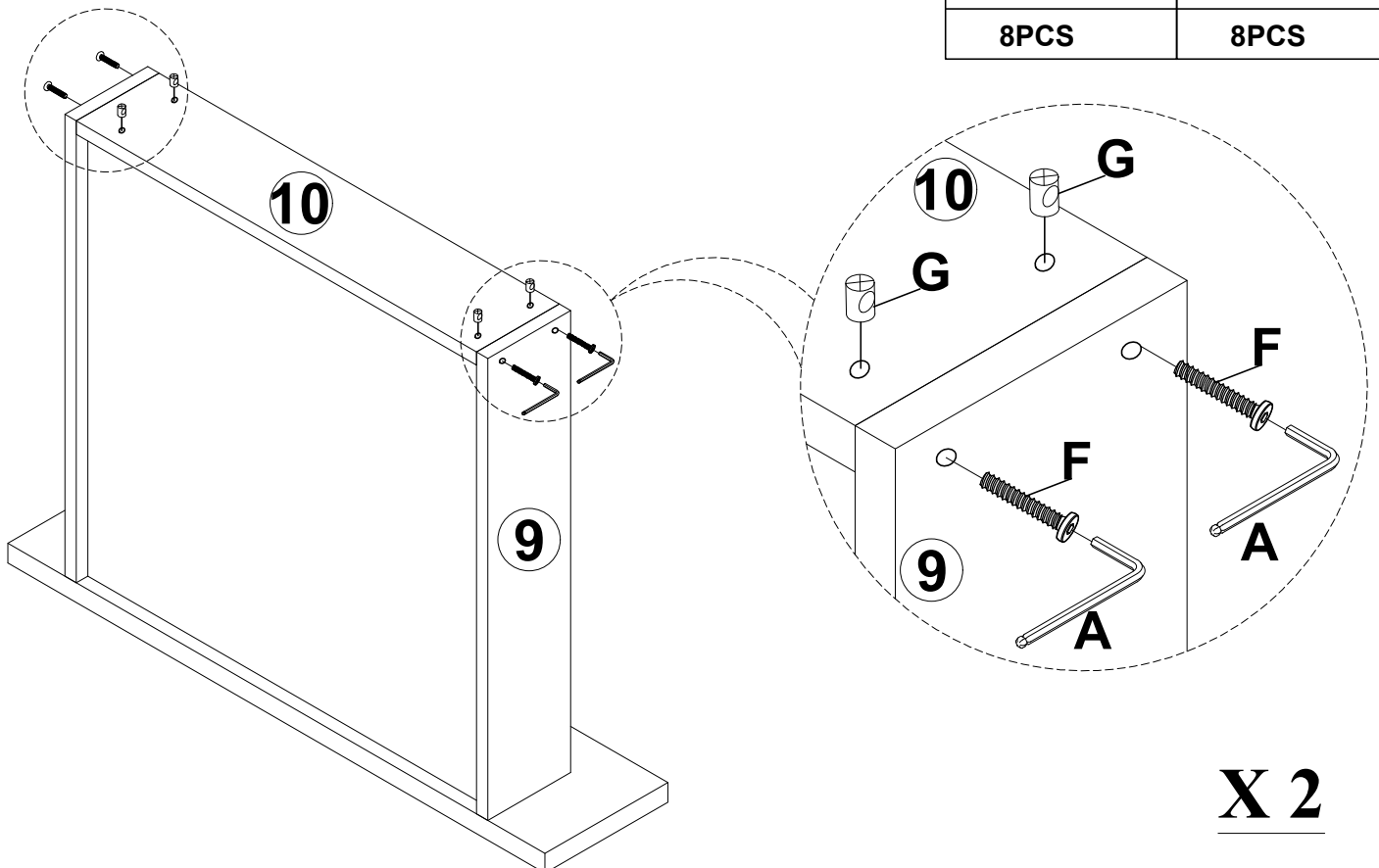
STEP 6



X 2

STEP 7

F		F	
8PCS		8PCS	

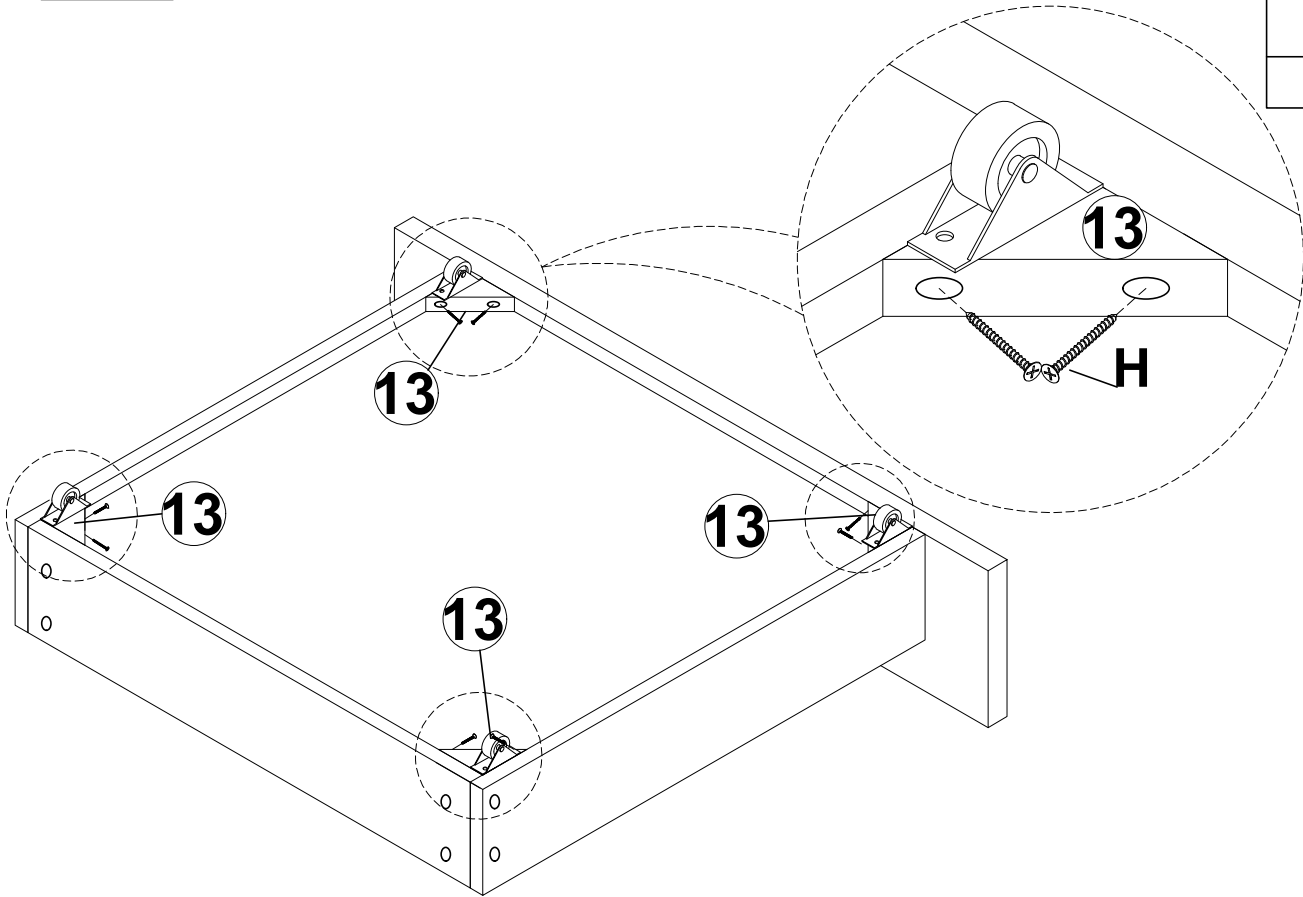


X 2

STEP 8

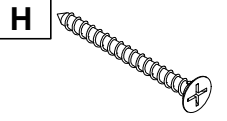


16PCS

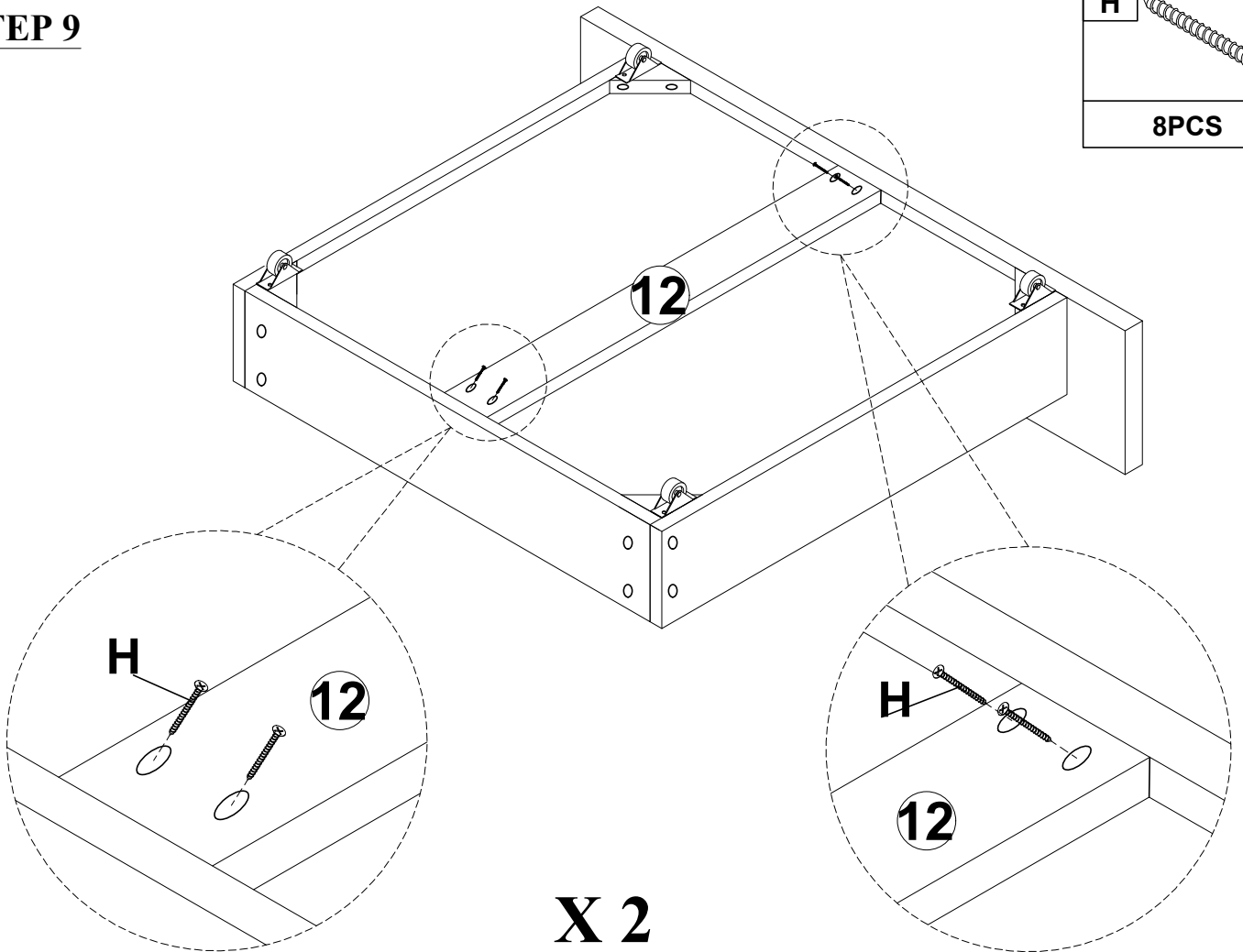


X 2

STEP 9



8PCS



X 2

STEP 10

