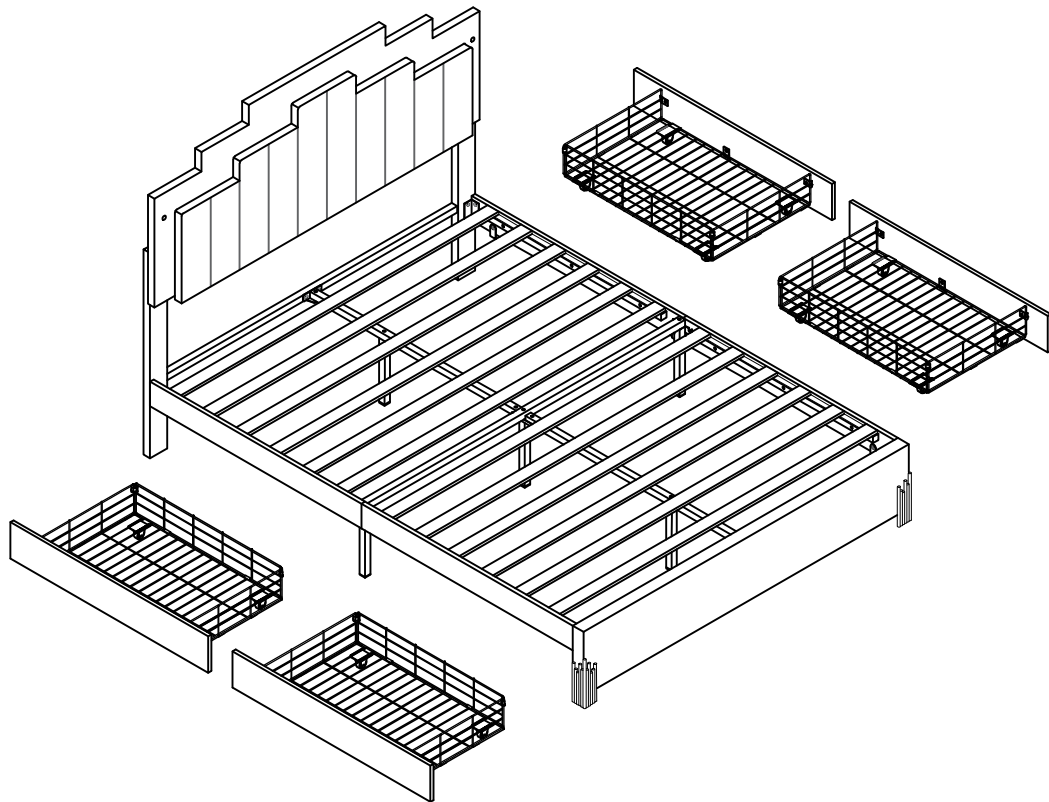
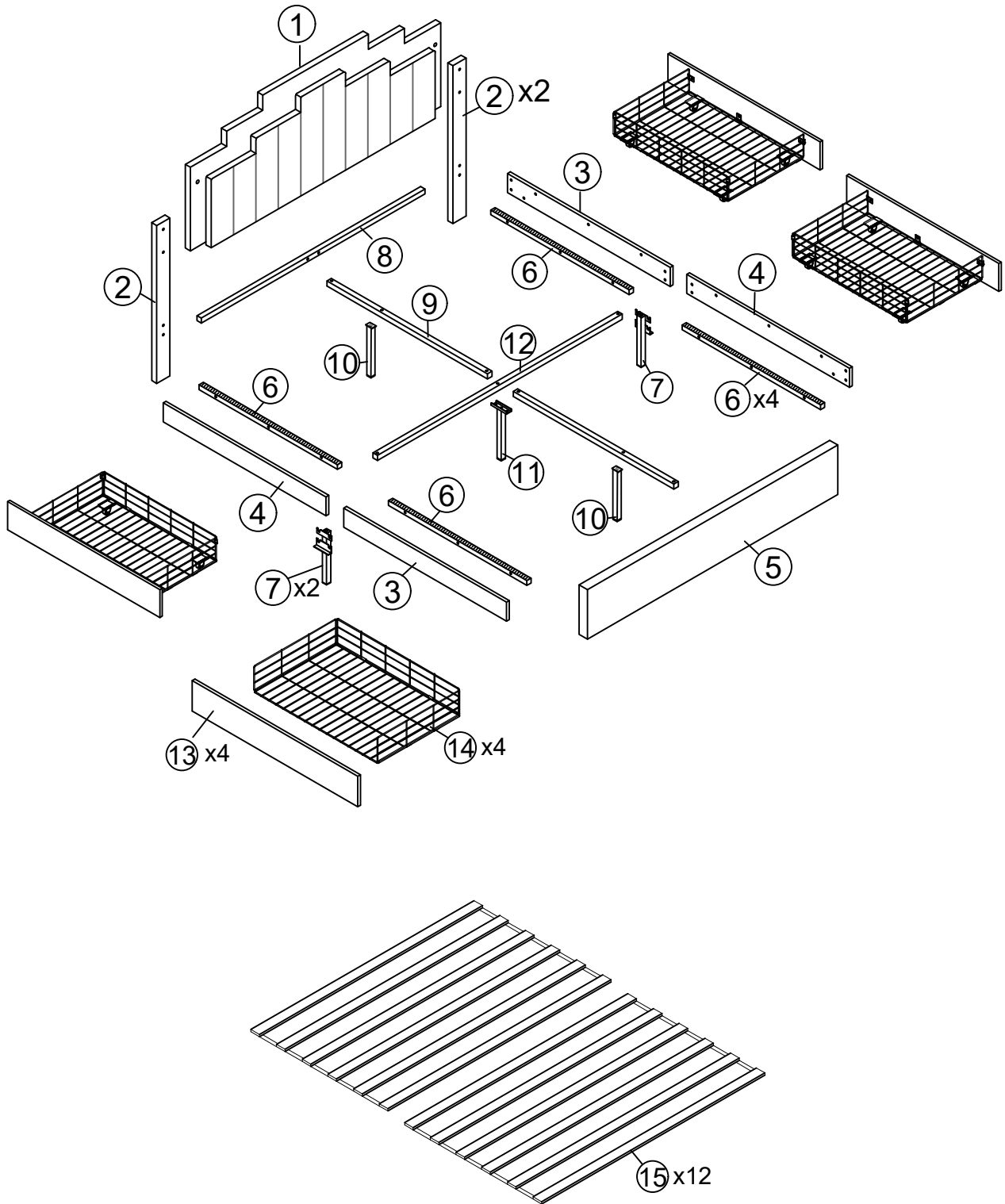


# ASSEMBLY INSTRUCTION

SKU:WF312289

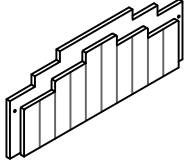

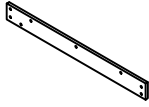
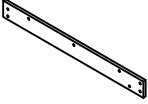
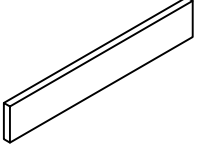
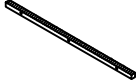

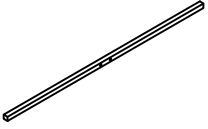
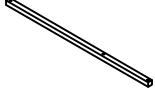
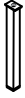
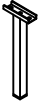
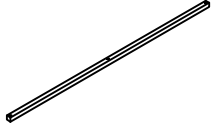
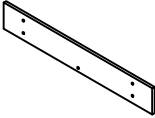
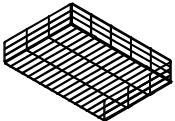
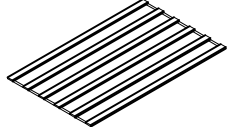


# Detail View



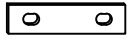


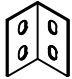
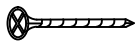
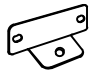




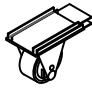


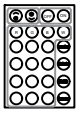


# Part List + Hardware List

## WF312289

<b>1</b>  Head board-1pc	<b>2</b>  Head board legs-2pcs	<b>3</b>  Siderails-2pcs
<b>4</b>  Siderails-2pcs	<b>5</b>  Foot board-1pc	<b>6</b>  Side rails support bar-4pcs
<b>7</b>  Side rails support legs-2pcs	<b>8</b>  Head board cross bar-1pc	<b>9</b>  Center support bar-2pcs
<b>10</b>  Middle support leg-2pcs	<b>11</b>  Connected support leg-1pc	<b>12</b>  Cross bar -1pc
<b>13</b>  Drawer outer board-4pcs	<b>14</b>  Drawer -4pcs	<b>15</b>  Slats -12pcs

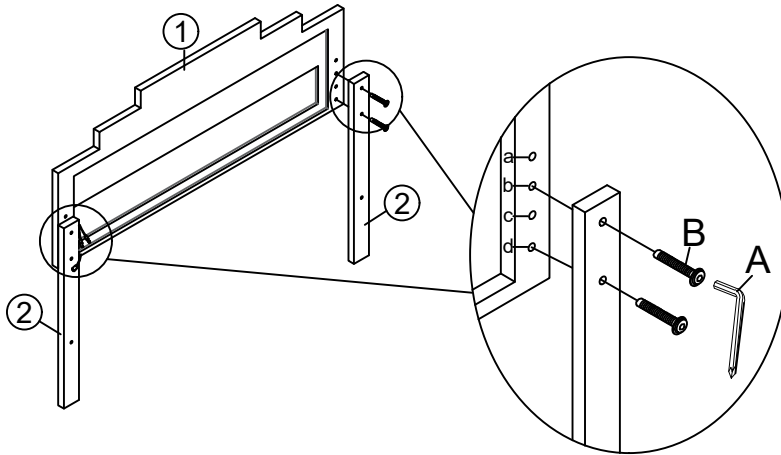
# Hardware List



<b>A</b>  Allen Key(1pc)	<b>B</b>  Bolts(4pcs) Ø8*50mm	<b>C</b>  Two hole iron(2pcs) 105*25*2mm
<b>D</b>  Bolts(50pcs) Ø8*18mm	<b>E</b>  Bolts(21pcs) Ø8*40mm	<b>F</b>  "7" Connector(4pcs) 77*33**33*3mm
<b>G</b>  Nails(8pcs) Ø5*30mm	<b>H</b>  Center support bar fittings(2pcs) 86*32*28*2mm	<b>I</b>  Bed legs(2pcs)
<b>J</b>  Stopper(4pcs) 50*25*2mm	<b>K</b>  Drawer fittings(12pcs)	<b>L</b>  Drawer fittings(8pcs)
<b>M</b>  Drawer wheel(16pcs)	<b>N</b>  Power adapter(1pc)	<b>O</b>  Color controller(1pc)
<b>P</b>  Emote control(1pc)		

Attention: Do not tighten the screws before completing the entire installation. If you have any difficulty with the installation process, please feel free to contact us.

## Step 1 x2

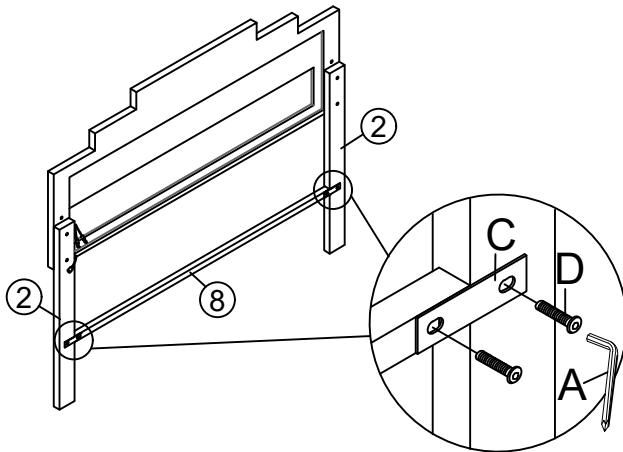
Fix the head board legs ② to the headboard ① with Bolts B by using Allen key A. You can chose the hole a and c ,or b and d.






A Allen Key	B Bolts x 4
	 M8X50mm

## Step 2 x2

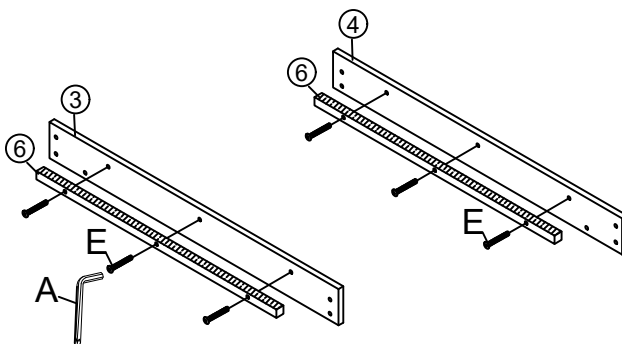
Fix the Headboard cross bar ⑧ to the Headboard legs ② with Bolt D and Two hole iron C by using Allen key A.





Allen Key	C Two hole iron x 2	D Bolts x 4
		 M8X18mm

## Step 3 x2

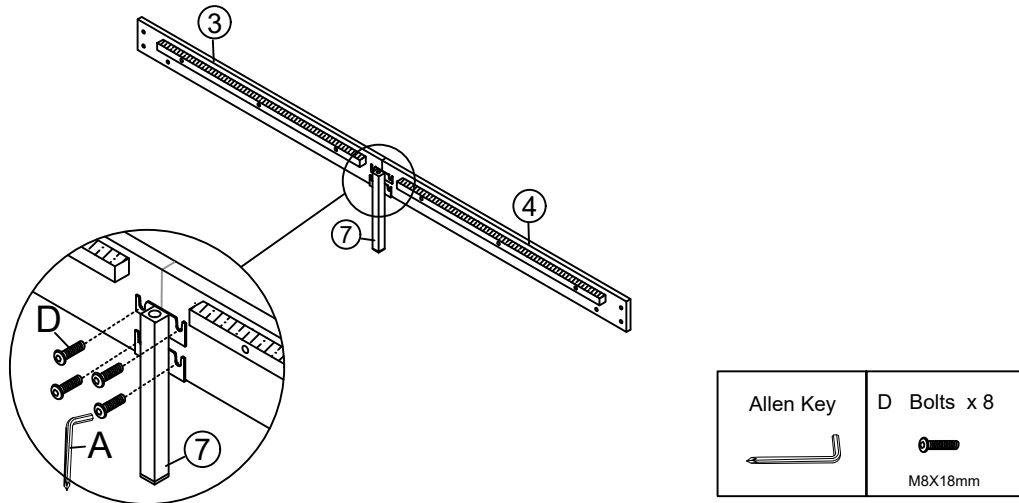
Connect Siderail support bar ⑥ to Siderails ③ and ④ with Bolts E by using Allen key A.



Allen Key	E Bolts x 12
	 M8X40mm

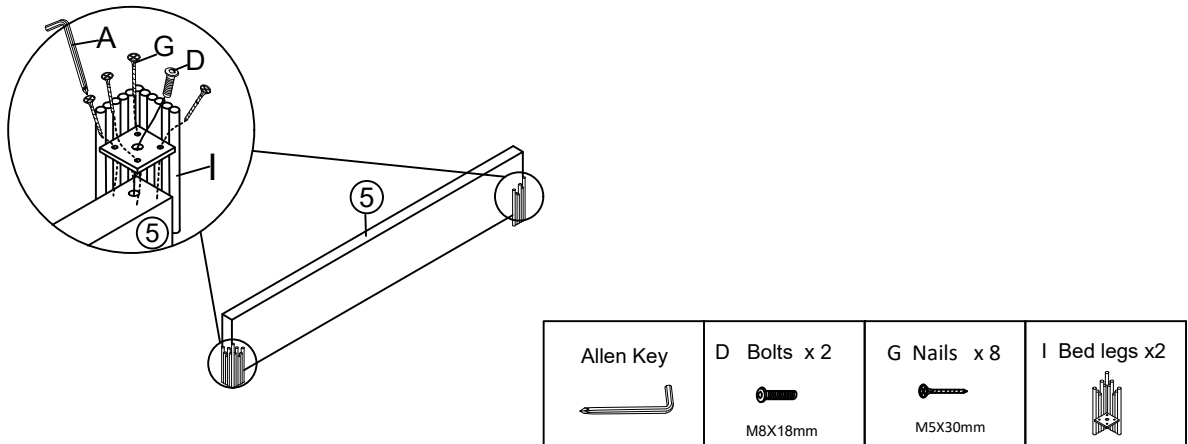
## Step 4 x2

Fix the side rails support leg (7) to the assembled side rail with Bolts D by using Allen key A.



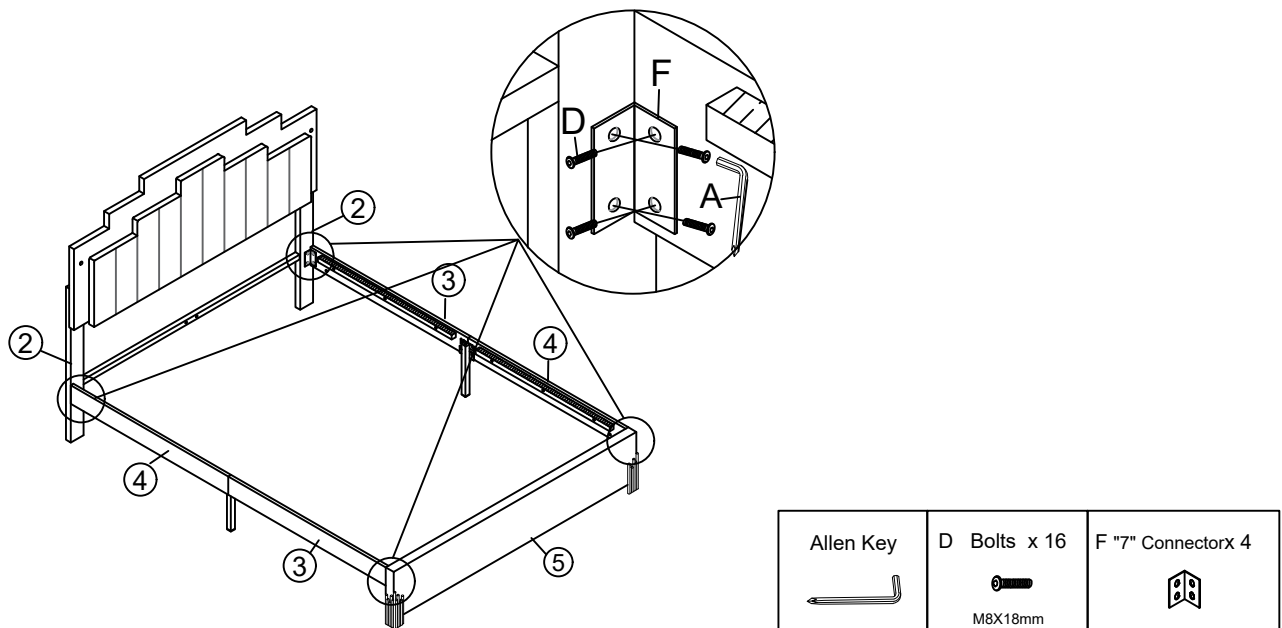
## Step 5

Fix the Bed legs I to the foot board (5) with Nails G and Bolts D by using Allen key A and Electric drill.



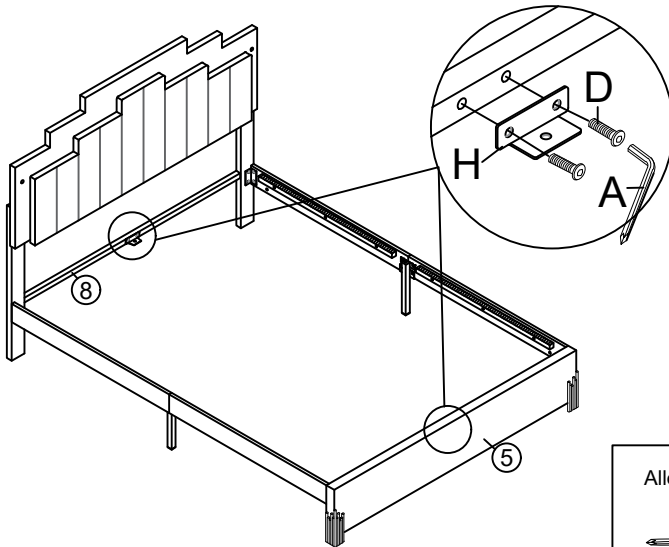
## Step 6

Fix the assembled side rail to the Headboard legs (2) and foot board (5) With Bolts D and "7" Connector F by using Allen key A.



## Step 7

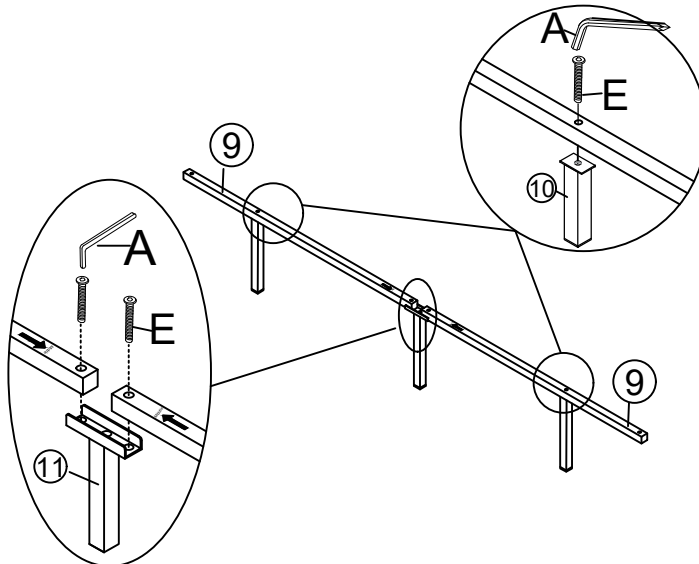
Fix the Center support bar fittings H to the Headboard cross bar ⑧ and foot board ⑤ with Bolts D by using Allen key A.



Allen Key	D Bolts x 4 M8X18mm	H Center support bar fittings x2
-----------	------------------------	----------------------------------

## Step 8

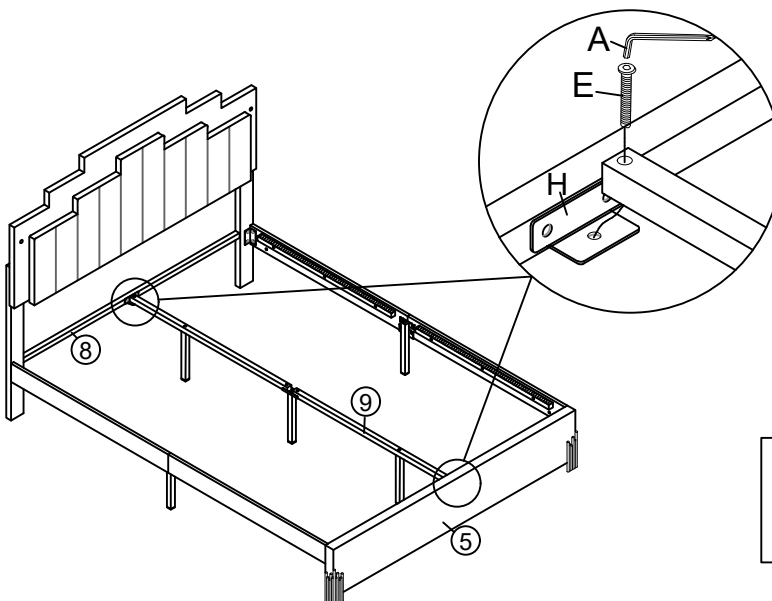
Fix the middle support leg ⑩ to the center support bar ⑨ with Bolts E by using Allen key A.  
Fix the connected support leg ⑪ to the center support bar ⑨ with Bolts E by using Allen key A.



Allen Key	E Bolts x 4 M8X40mm
-----------	------------------------

## Step 9

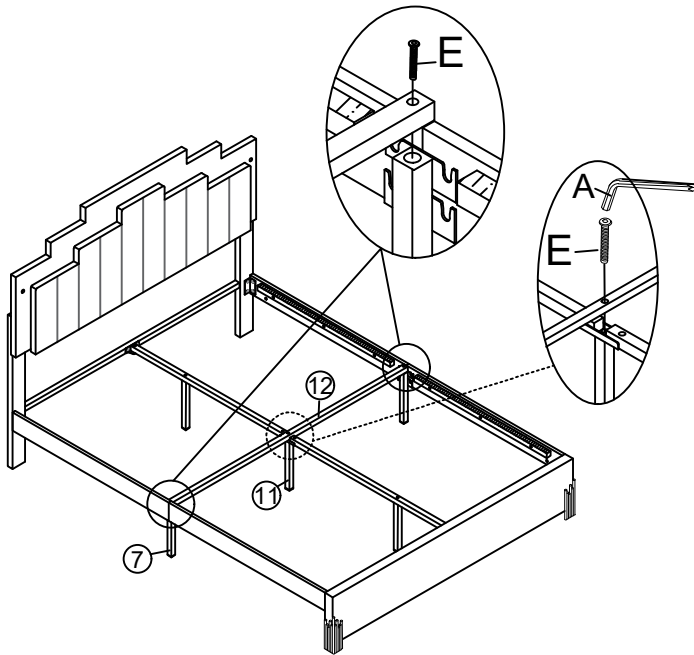
Fix the Center support bar ⑨ to the headboard cross bar ⑧ and foot board ⑤ with Bolts E by using Allen key A.





Allen Key	E Bolts x 2 M8X40mm
-----------	------------------------

## Step 10

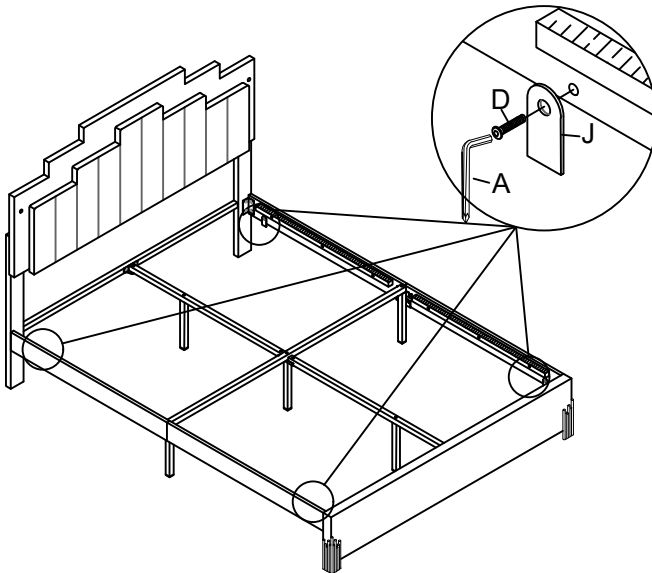
Fix the cross bar **12** to the side rails support legs **7** and Connected support legs **11** with Bolts E by using Allen key A.






Allen Key	E Bolts x 3
	 M8X40mm

## Step 11

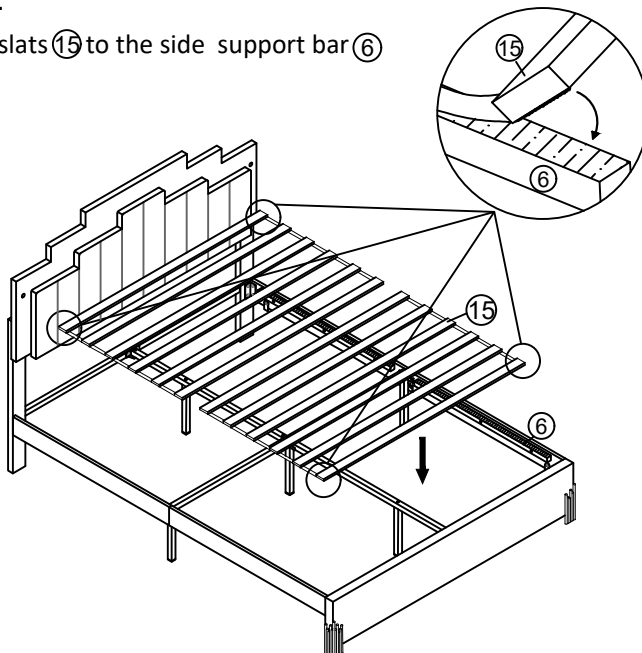
Fix the stopper J to the Siderails with Bolts D by using Allen key A.



Allen Key	D Bolts x 4	J Stopper x4
	 M8X18mm	

## Step 12

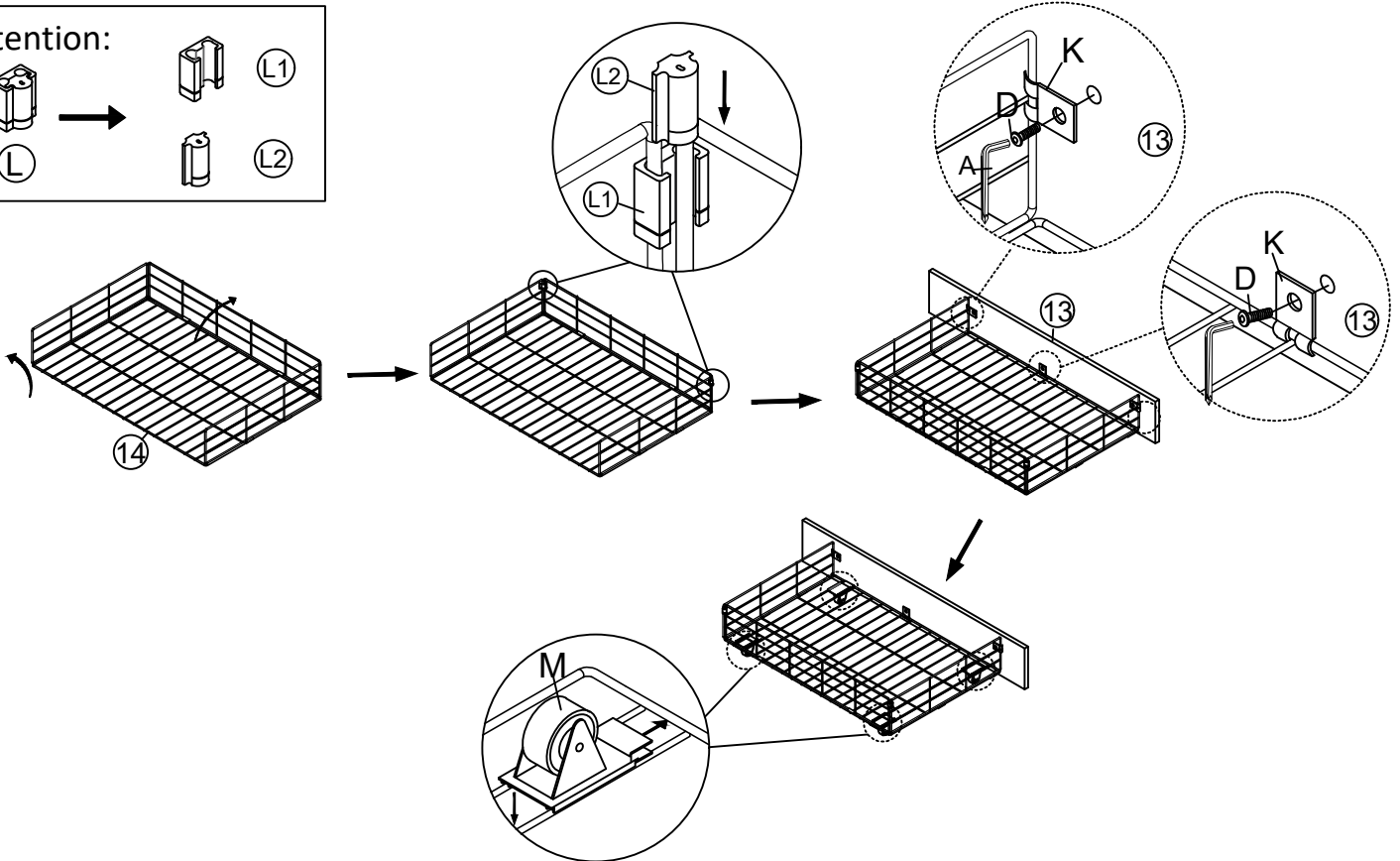
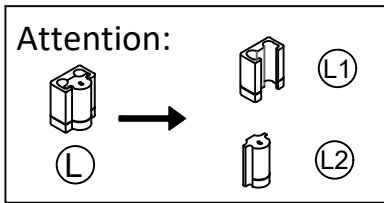
Fix the slats **15** to the side support bar **6**





## Step 13 x4

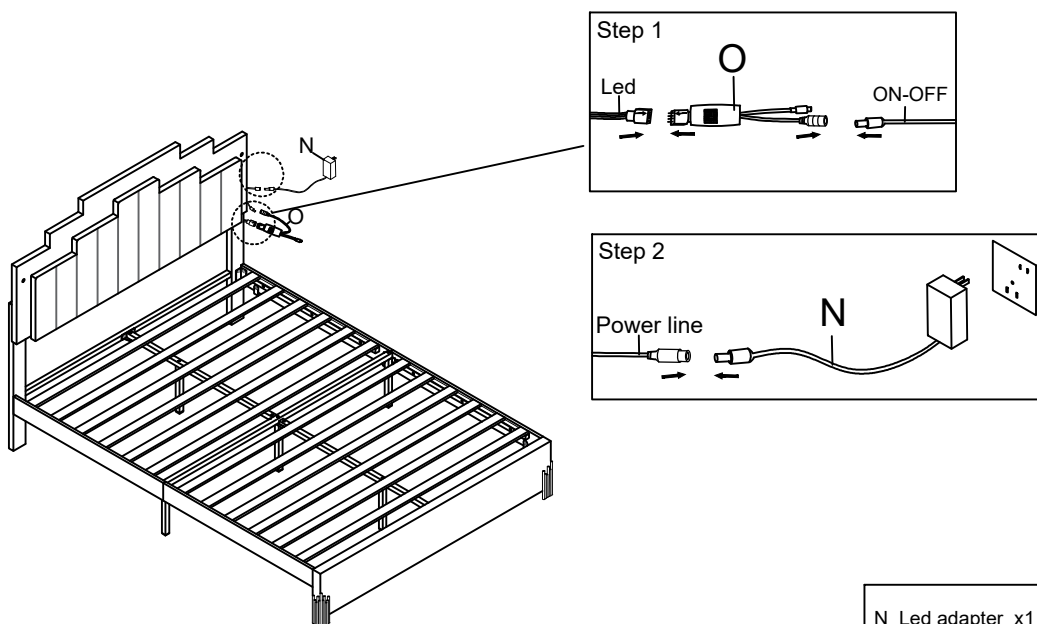
Assemble the Drawer ⑭ with Drawer fittings L (Please separate L1 and L2 first).  
Fix the Drawer out board ⑬ to the Drawer ⑭ with Drawer fittings K and Bolts D by using Allen key A.



Allen Key	D Bolts x 12 M8X18mm	K Drawer fittings x12	L Drawer fittings x 8	M Drawer wheel x 16

## Step 14

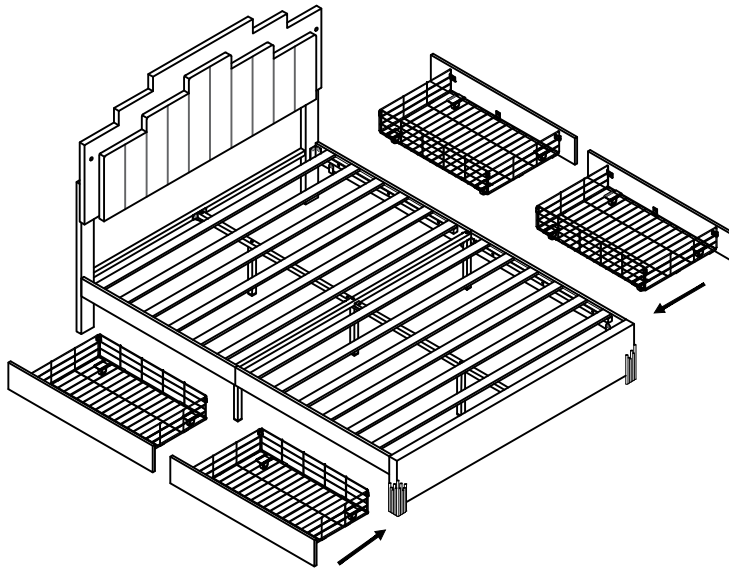
Step1: Fix one side of the color controller O to the LED. Please noticed that → ←, then fix another side to ON-OFF line.  
Step2: Fix the Led adapter N to the power line in the bed, then connect the power.

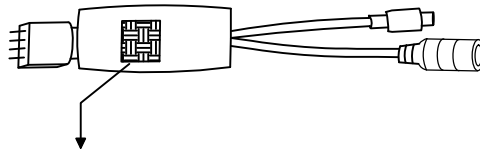


N Led adapter x1	O Color controller x1

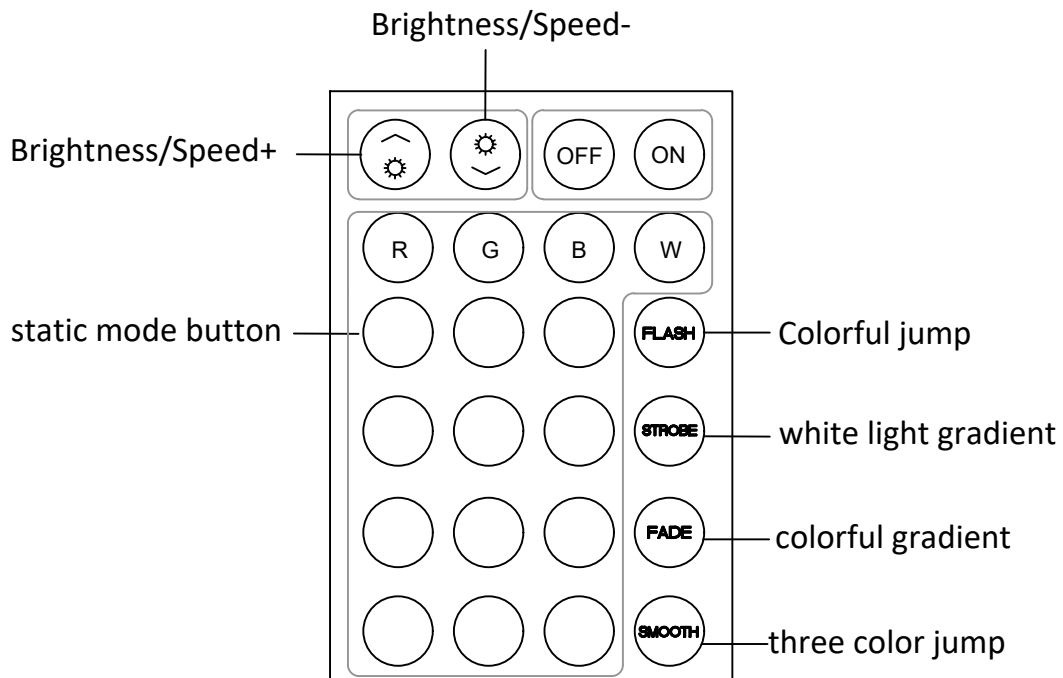
## Step 15

Push the four drawers into the bed then assembled is finished, now please tighten all hard ware and enjoy the bed .





**NOTICE:**  
 You can scan the QR code here and download an app that can control the color of the light strip like a remote control. When your phone plays music through the app, the color of the light strip will also change according to the strength of the music



**NOTICE:**  
 When you use the remote control board to control the color of the light, Please remove the clear plastic card first, then please be sure to point the remote control at the color controller O