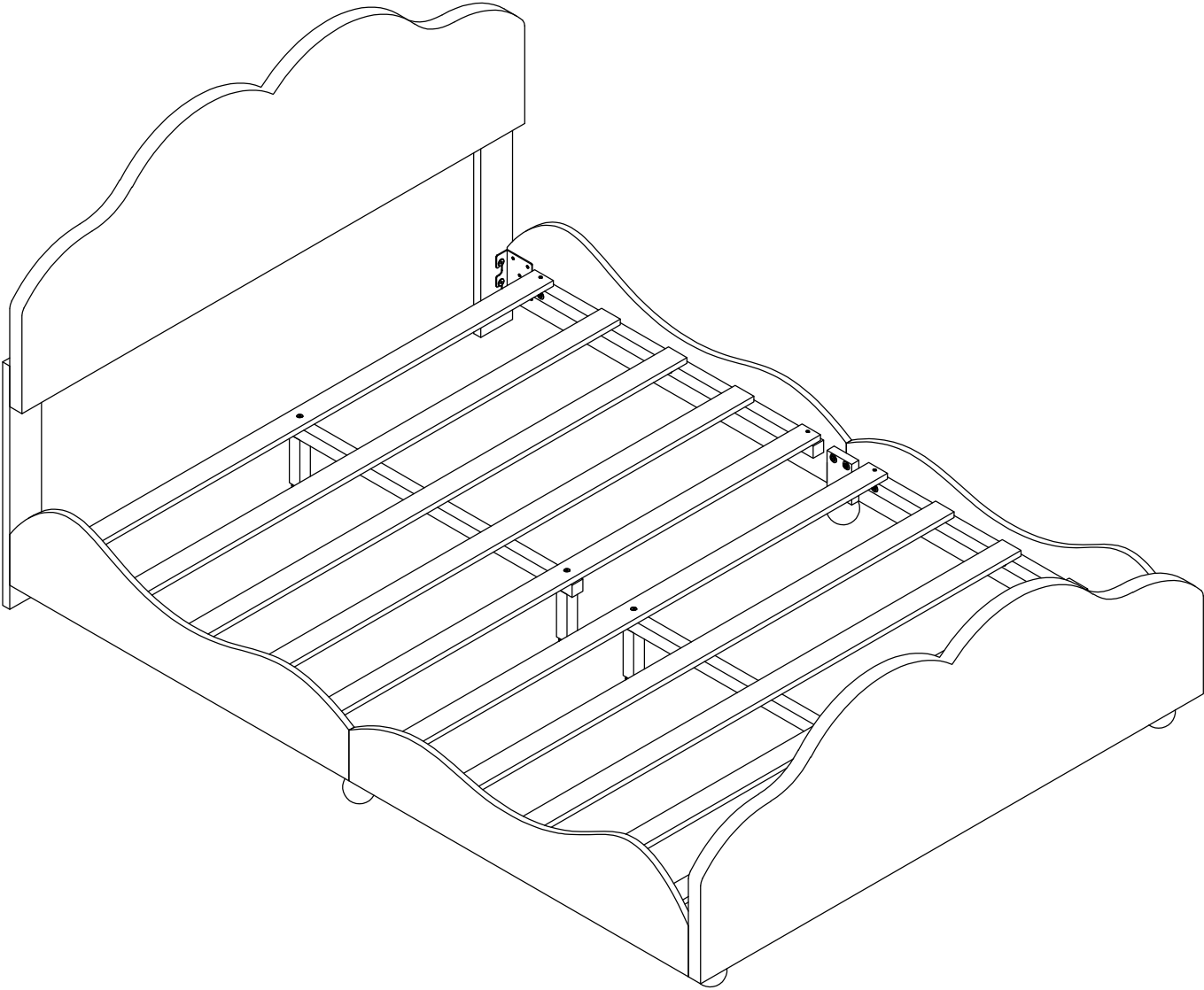
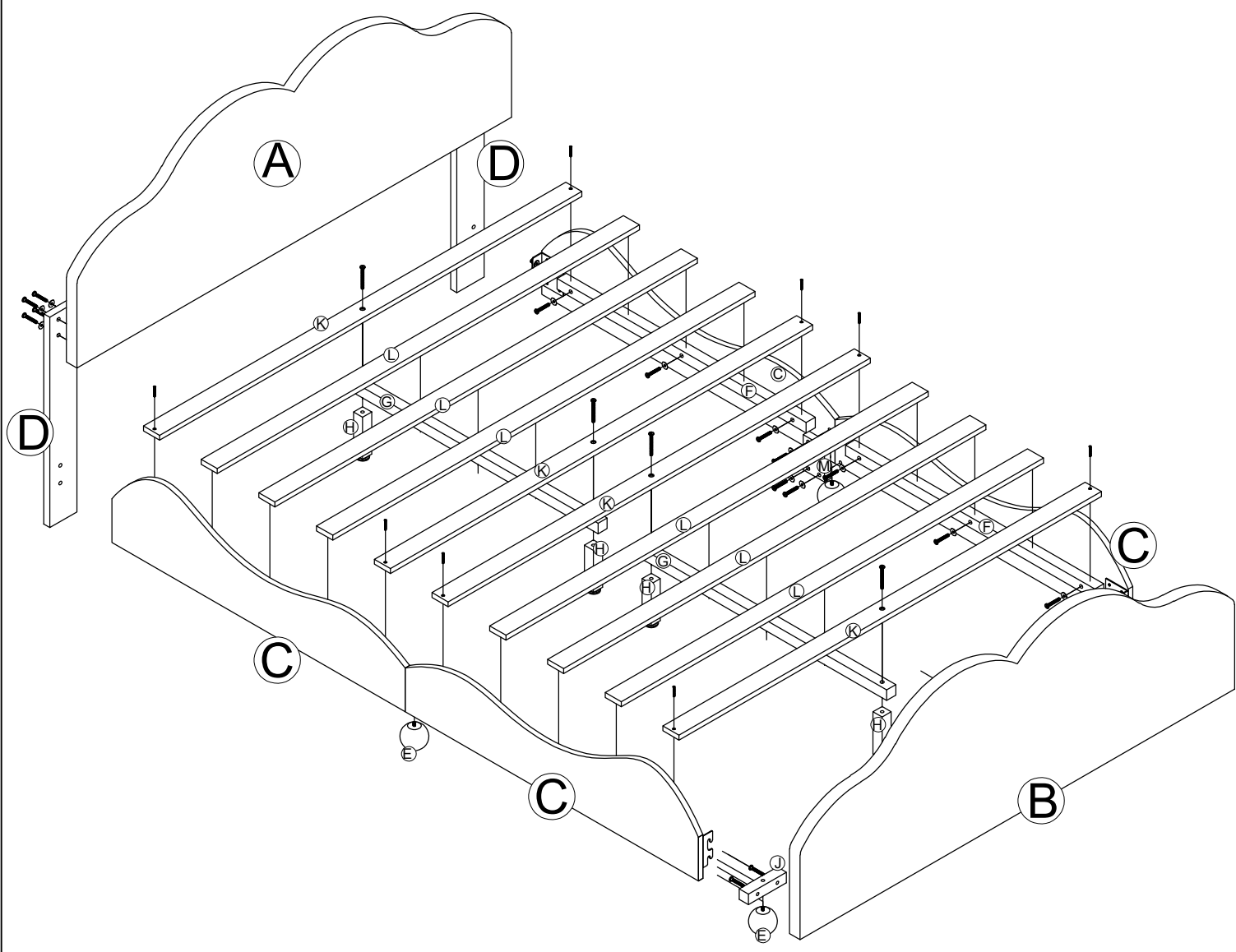


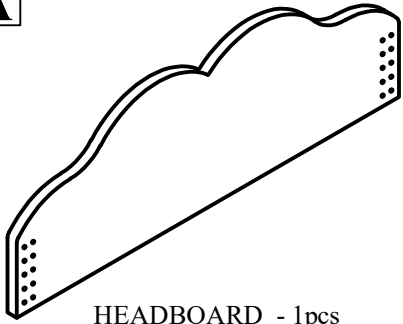
ASSEMBLY INSTRUCTION (WF310566)





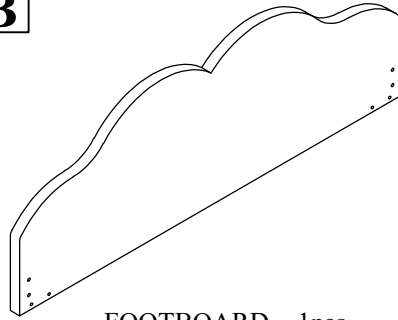
Part List (WF310566)

A



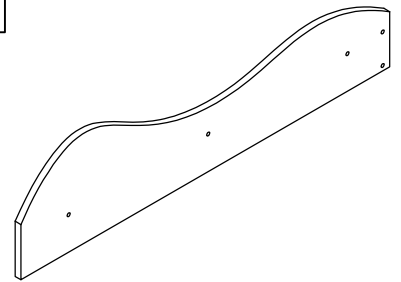
HEADBOARD - 1pcs

B



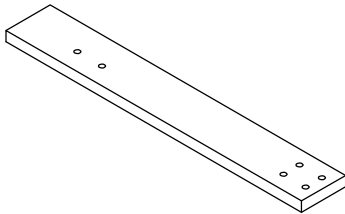
FOOTBOARD - 1pcs

C



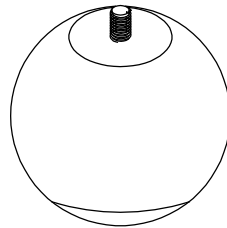
SIDE PANEL - 4pcs

D



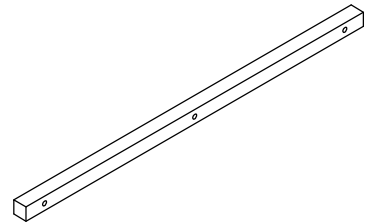
HEADBOARD LEG - 2pcs

E



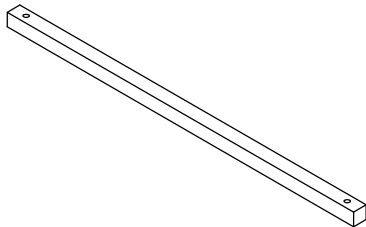
WOODEN LEG - 4pcs

F



SIDE WOOD BASE - 4pcs

G



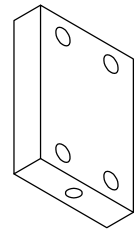
CENTER WOOD BASE - 2PCS

H



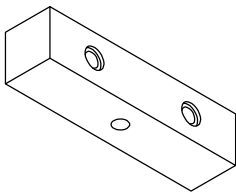
WOODEN SUPPORT LEG - 4pcs

I



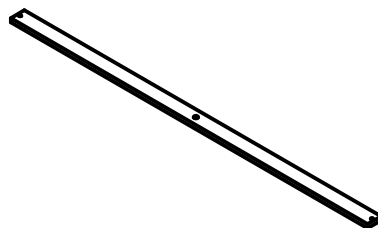
SIDE PANEL SUPPORT - 2pcs

J



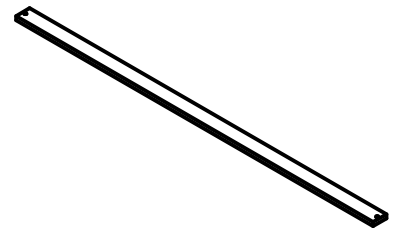
FOOTBOARD SUPPORT - 2pcs

K



STRAIGHT SLAT WITH HOLE - 4pcs

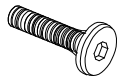
L



STRAIGHT SLAT - 6pcs

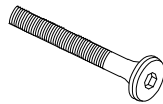
Hardware List (WF310566)

1



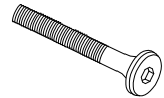
JCBB M8 x 16mm (8 pcs)

2



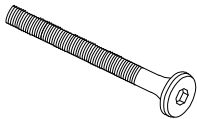
JCBC M6 x 35mm (20 pcs)

3



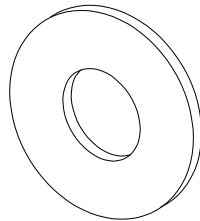
JCBC M6 x 45mm (12 pcs)

4



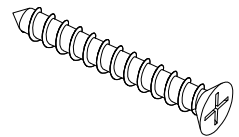
JCBC M6 x 60mm (4 pcs)

5



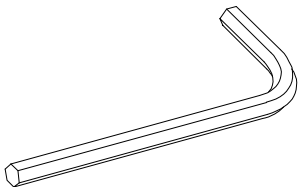
M6 Flat Washer (28 pcs)

6



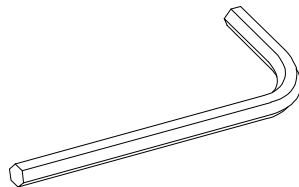
CSK SCREW M4 x 30mm (8pcs)

7



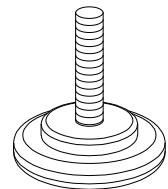
Allen Key M4 (1pcs)

8

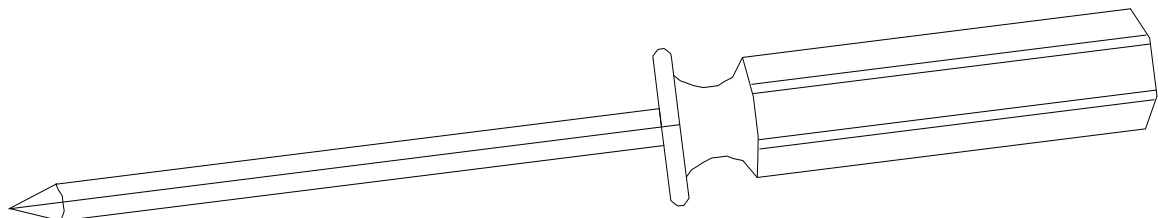


Allen Key M5 (1pcs)

9

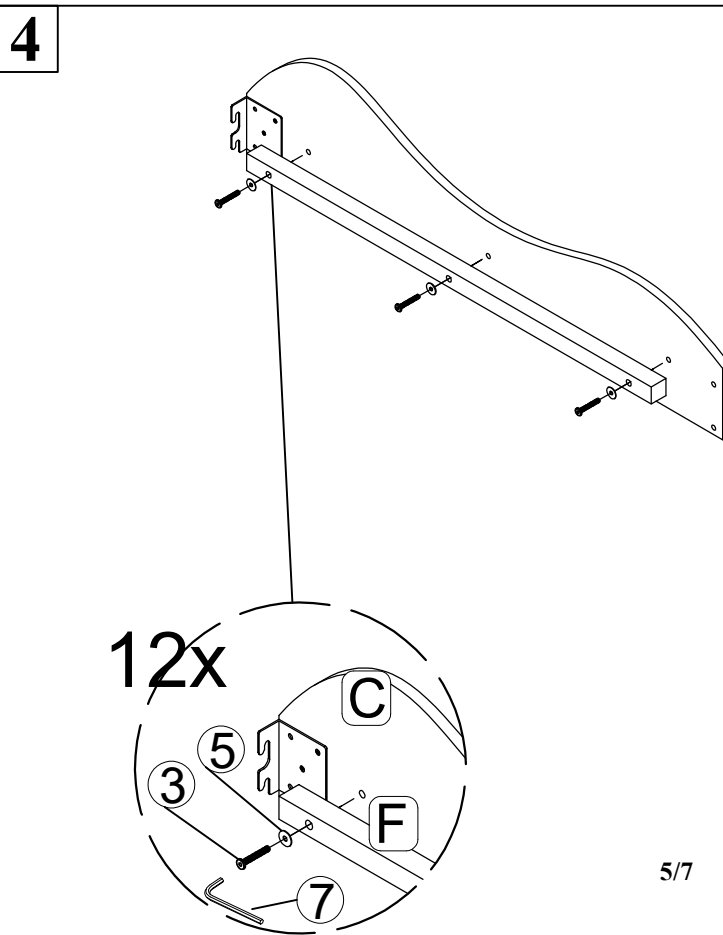
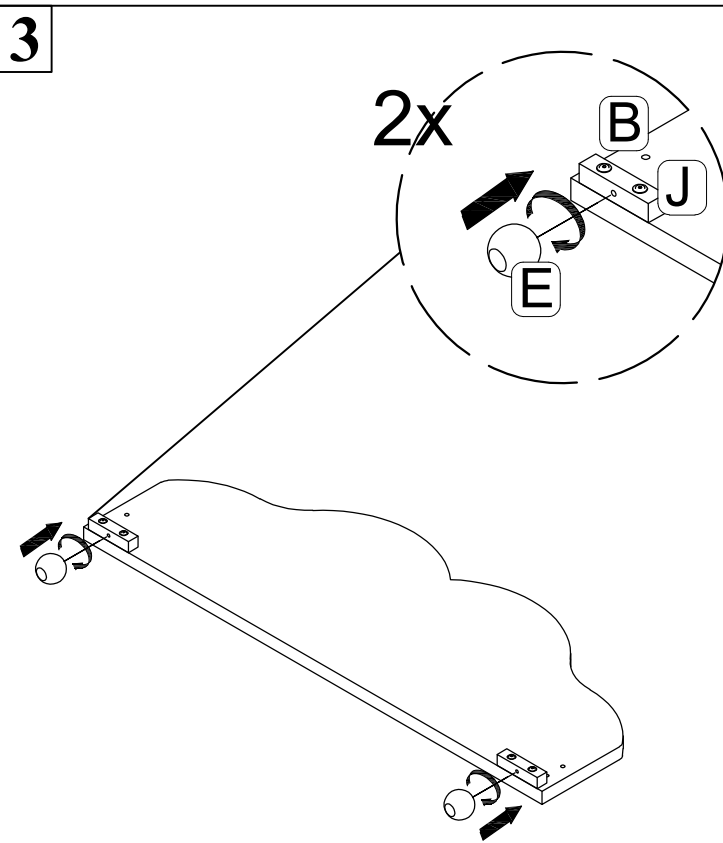
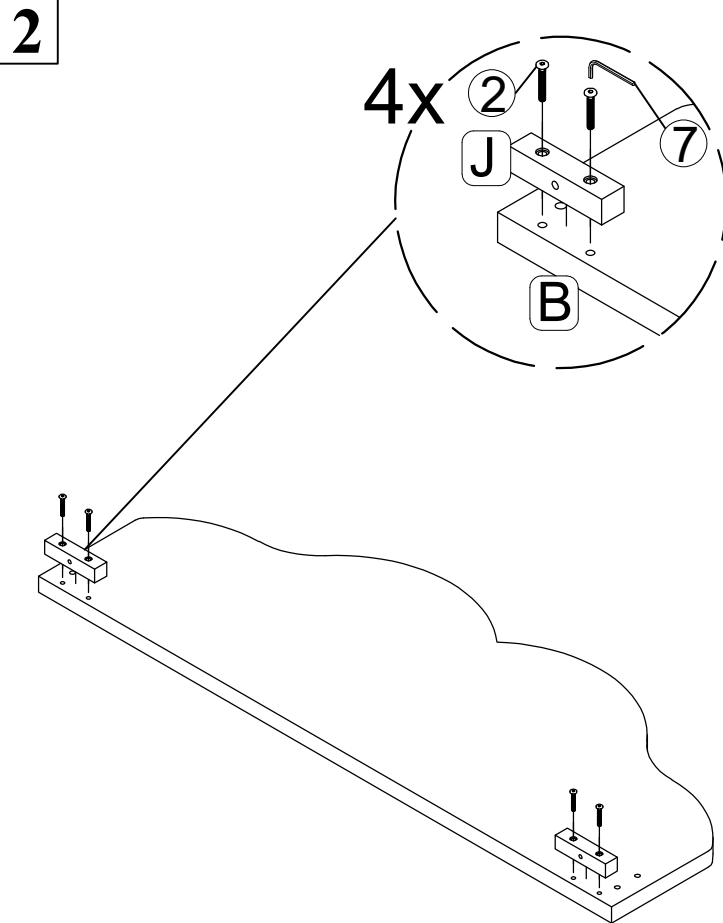
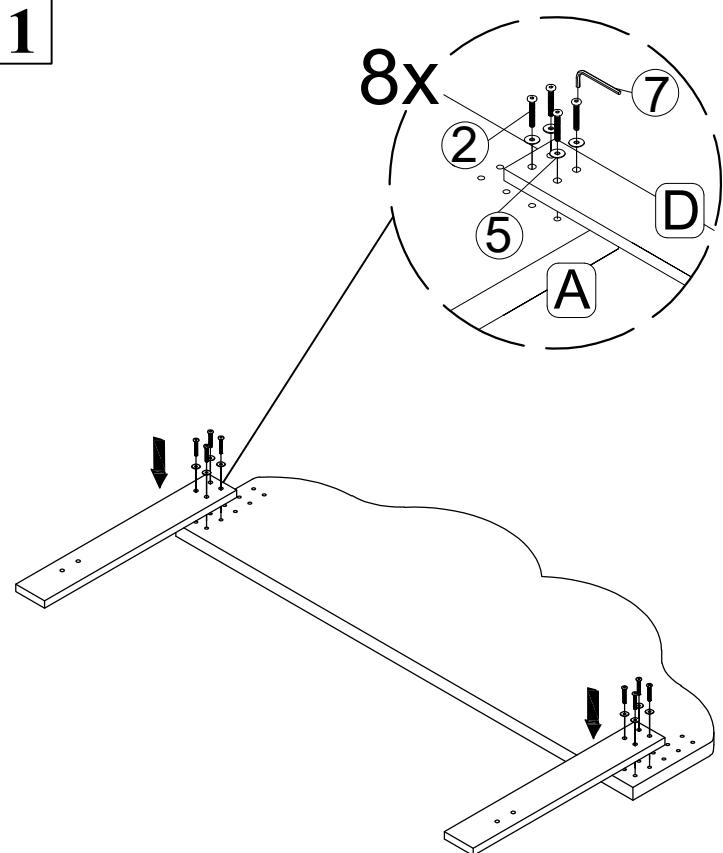


BASE GLIDE (4pcs)



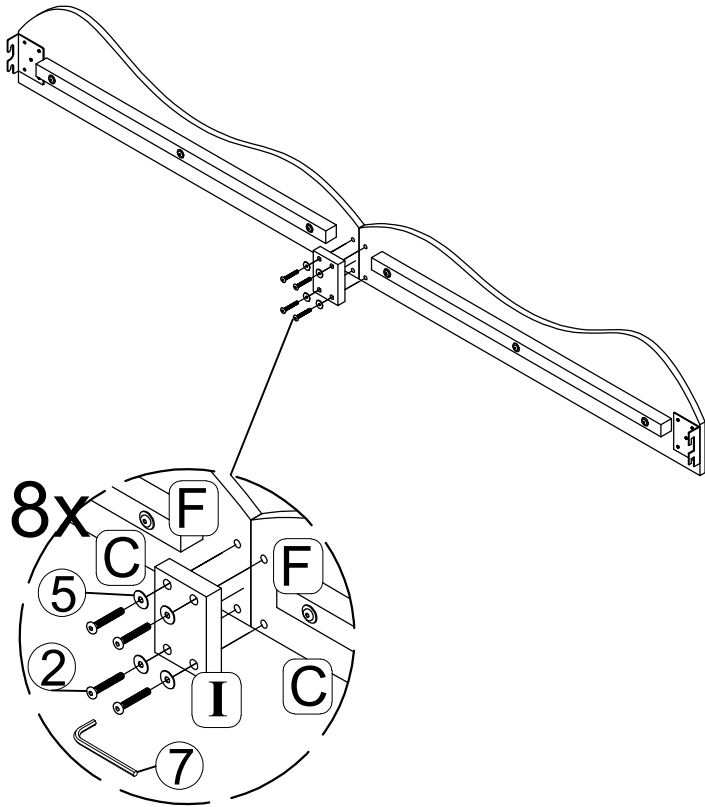
Assembly Tools
Required (Not Included)

Assembly Step

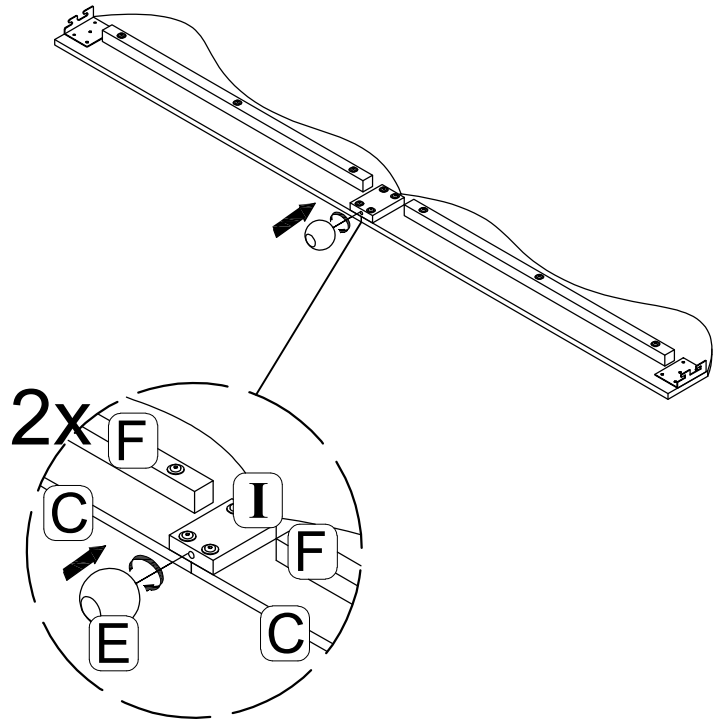


Assembly Step

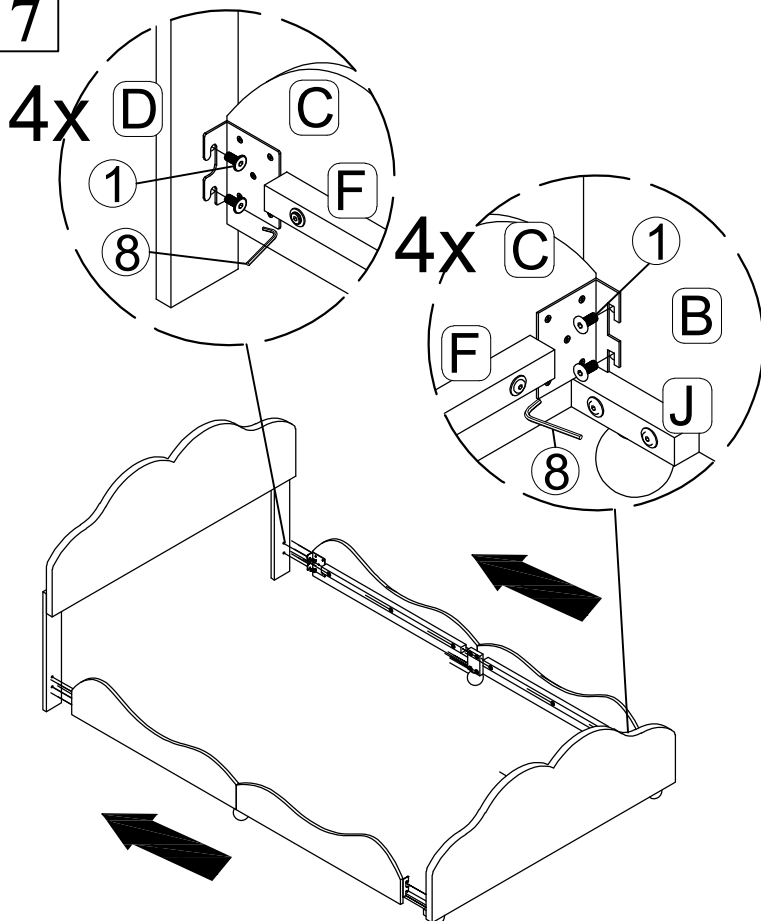
5



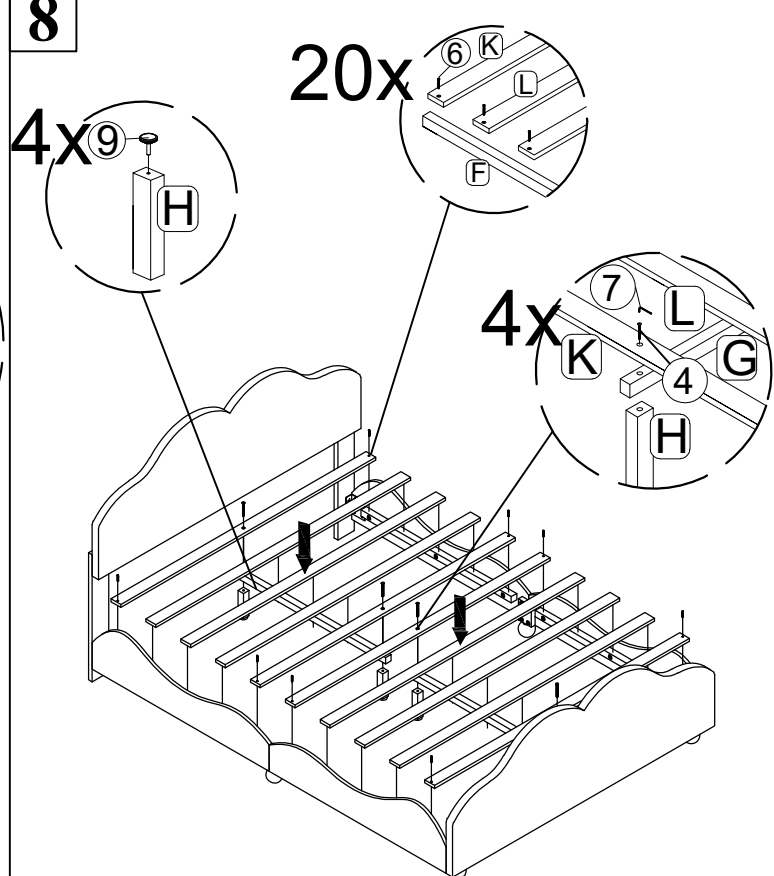
6



7



8



Assembly Step

FULLY COMPLETED ASSEMBLY

