

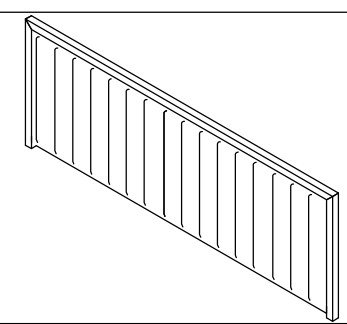
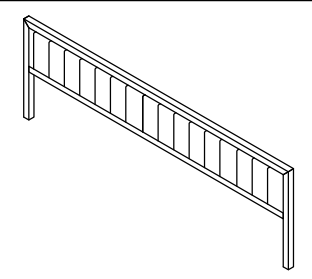
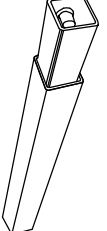
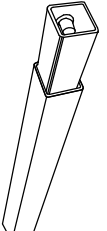
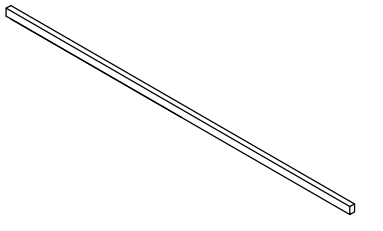
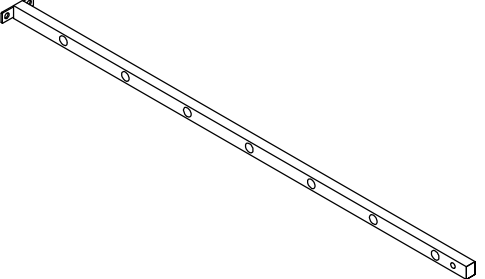
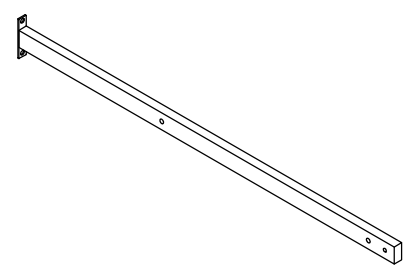
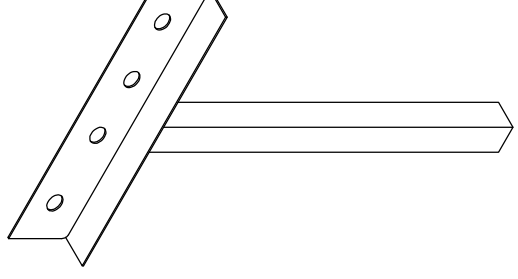
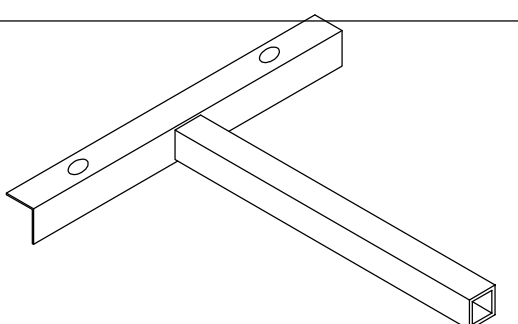
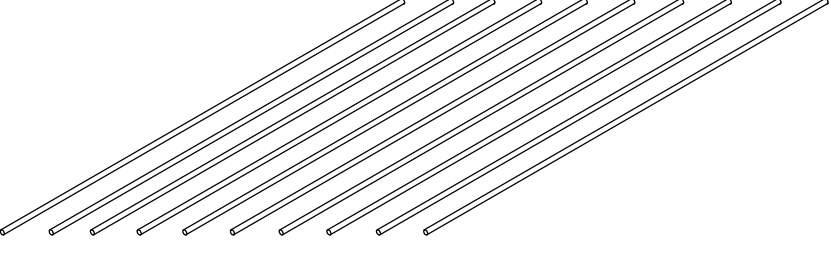
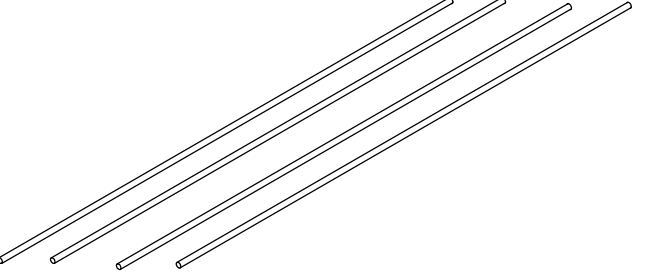
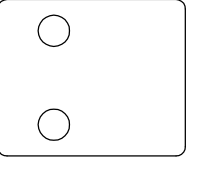
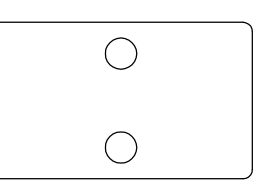
# ASSEMBLY INSTRUCTION

ITEM NO. : WF311809 / WF311811

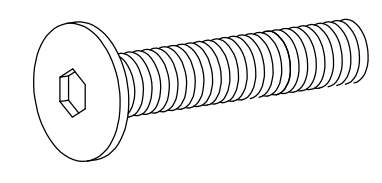
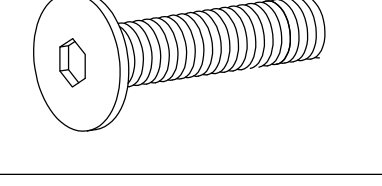
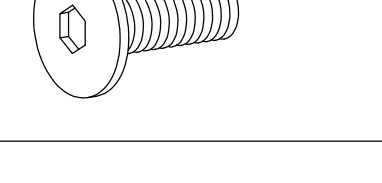
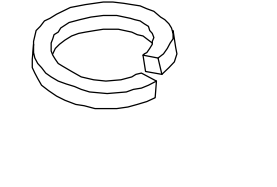
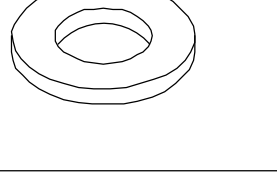
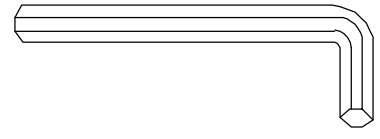
DESCRIPTION : FULL BED / QUEEN BED

Thank you for purchasing this quality product. Be sure to check all packing material carefully for small part that may have come loose inside the carton during shipment

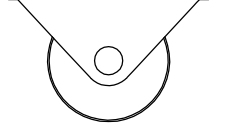
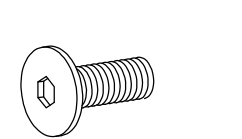
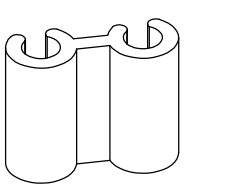
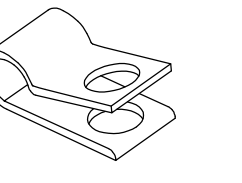
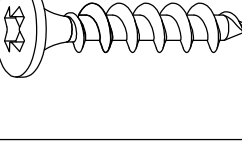
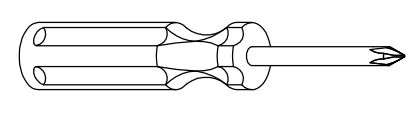
## PART LIST

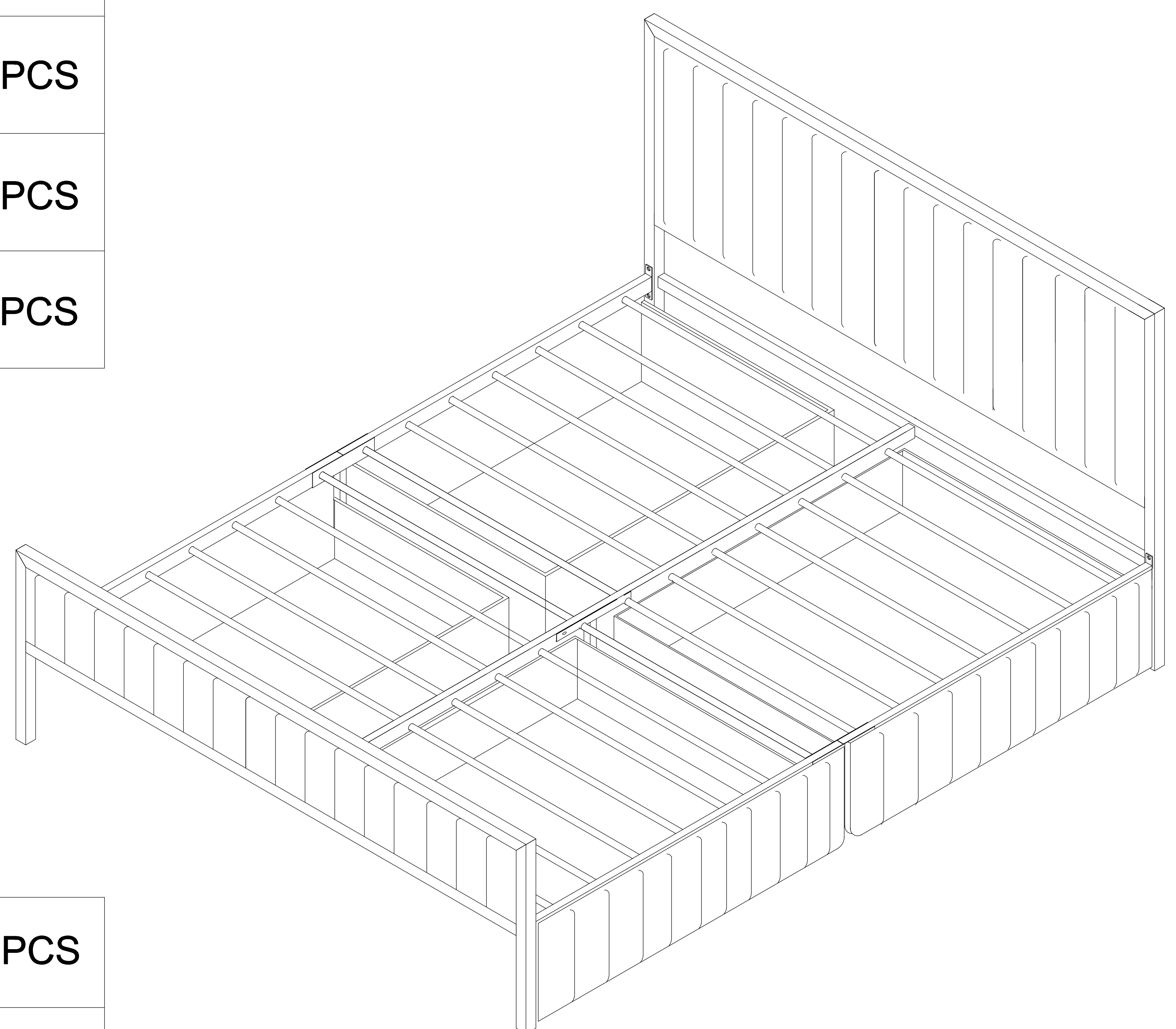
No.	Description	Sketch	Quantity
A	Headboard		1PC
B	Footboard		1PC
C1	Legs Left		1PC
C2	Legs Right		1PC
D	Bar under the Headboard		1PC
E	Middle Rail		2PCS
F	Side Rail		4PCS
G	Side Rail Support Legs		2PCS
H	Middle Legs		1PC
I	Round Slats		10PCS
J	Round Slats (use Bolt)		4PCS
K	drawer cover		4PCS
L	long drawer cover		2PCS

## HARDWARE LIST

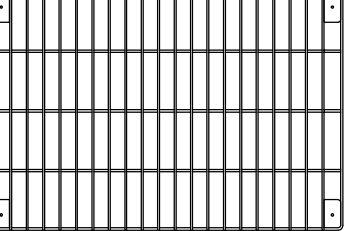
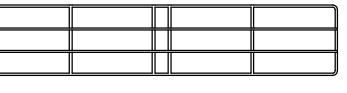

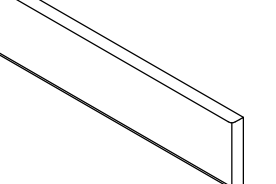
No.	Description	Sketch	Size	Quantity
1	Flat Bolt		Ø1/4"x50mmL	2PCS
2	Flat Bolt		Ø1/4"x30mmL	8PCS
3	Flat Bolt		Ø1/4"x20mmL	34PCS
4	Spring Washer		Ø1/4"	44PCS
5	Flat Washer		Ø1/4"	44PCS
6	Allen Key		M4	1PC

## HARDWARE LIST OF DRAWERS:

7	Wheel		-	16PCS
8	Flat Bolt		Ø1/4"*8mm	16PCS
9	Plastic Double Pipe Clamps		-	44PCS
10	Plastic Pipe Strap		-	32PCS
11	Screw		Ø4*15mm	32PCS
		(NOT PROVIDED) 	SCREWDRIVER	



## PART LIST OF DRAWERS:

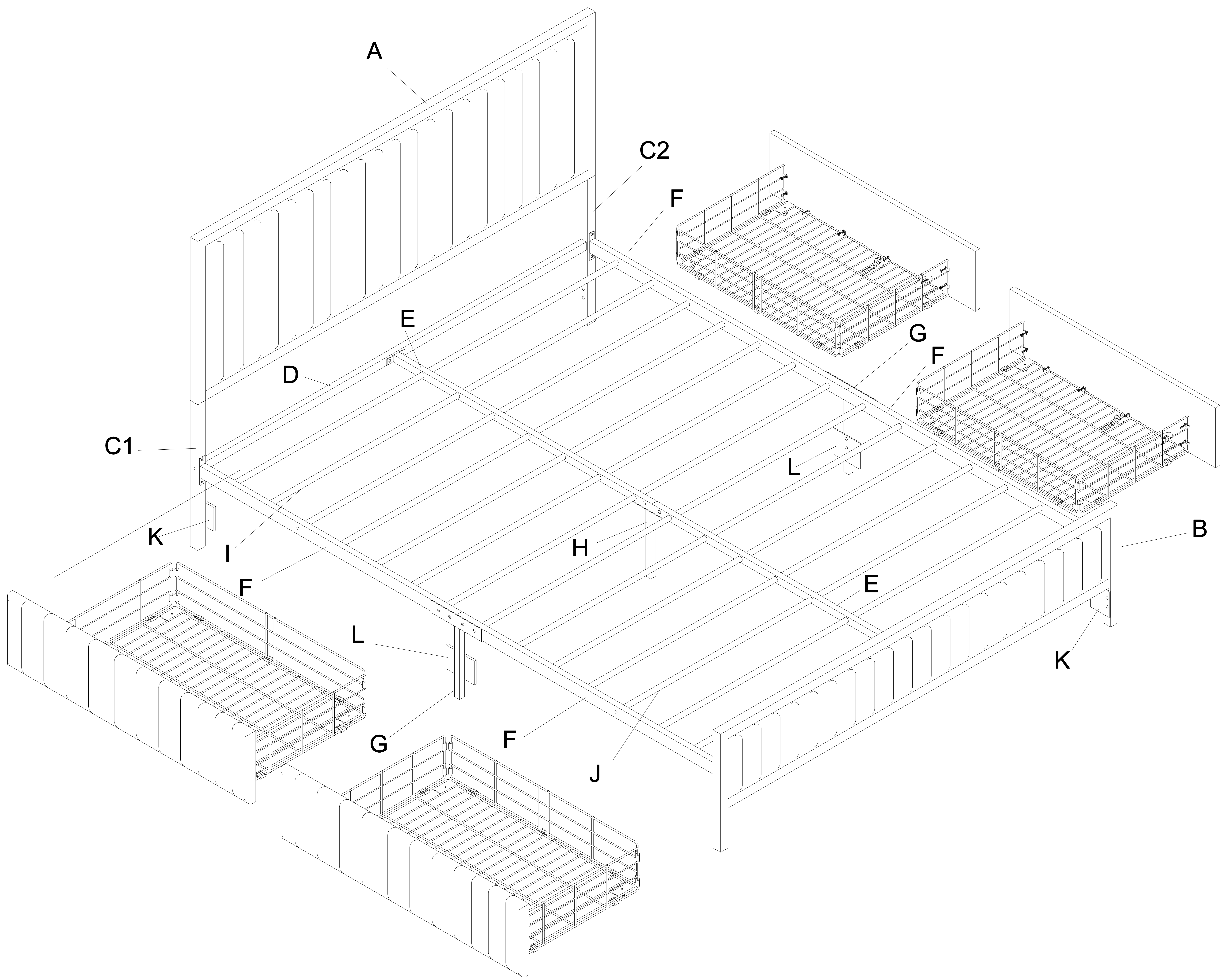
M	Bottom Panel		4PCS
N	Behind Side Panel		4PCS
P	Quarter Side Panel		8PCS
Q	Upholstered Front Side Panel		4PCS

# ASSEMBLY INSTRUCTION

ITEM NO. : WF311809 / WF311811

DESCRIPTION : FULL BED / QUEEN BED

Thank you for purchasing this quality product. Be sure to check all packing material carefully for small part that may have come loose inside the carton during shipment



# ASSEMBLY INSTRUCTION

ITEM NO. : WF311809 / WF311811

DESCRIPTION : FULL BED / QUEEN BED

Thank you for purchasing this quality product. Be sure to check all packing material carefully for small part that may have come loose inside the carton during shipment

## Option 1:

1	Flat Bolt		Ø1/4"x50mmL	2PCS
3	Flat Bolt		Ø1/4"x20mmL	8PCS
4	Spring Washer		Ø1/4"	10PCS
5	Flat Washer		Ø1/4"	10PCS
6	Allen Key		M4	1PC

## Option 2:

3	Flat Bolt		Ø1/4"x20mmL	8PCS
4	Spring Washer		Ø1/4"	8PCS
5	Flat Washer		Ø1/4"	8PCS
6	Allen Key		M4	1PC

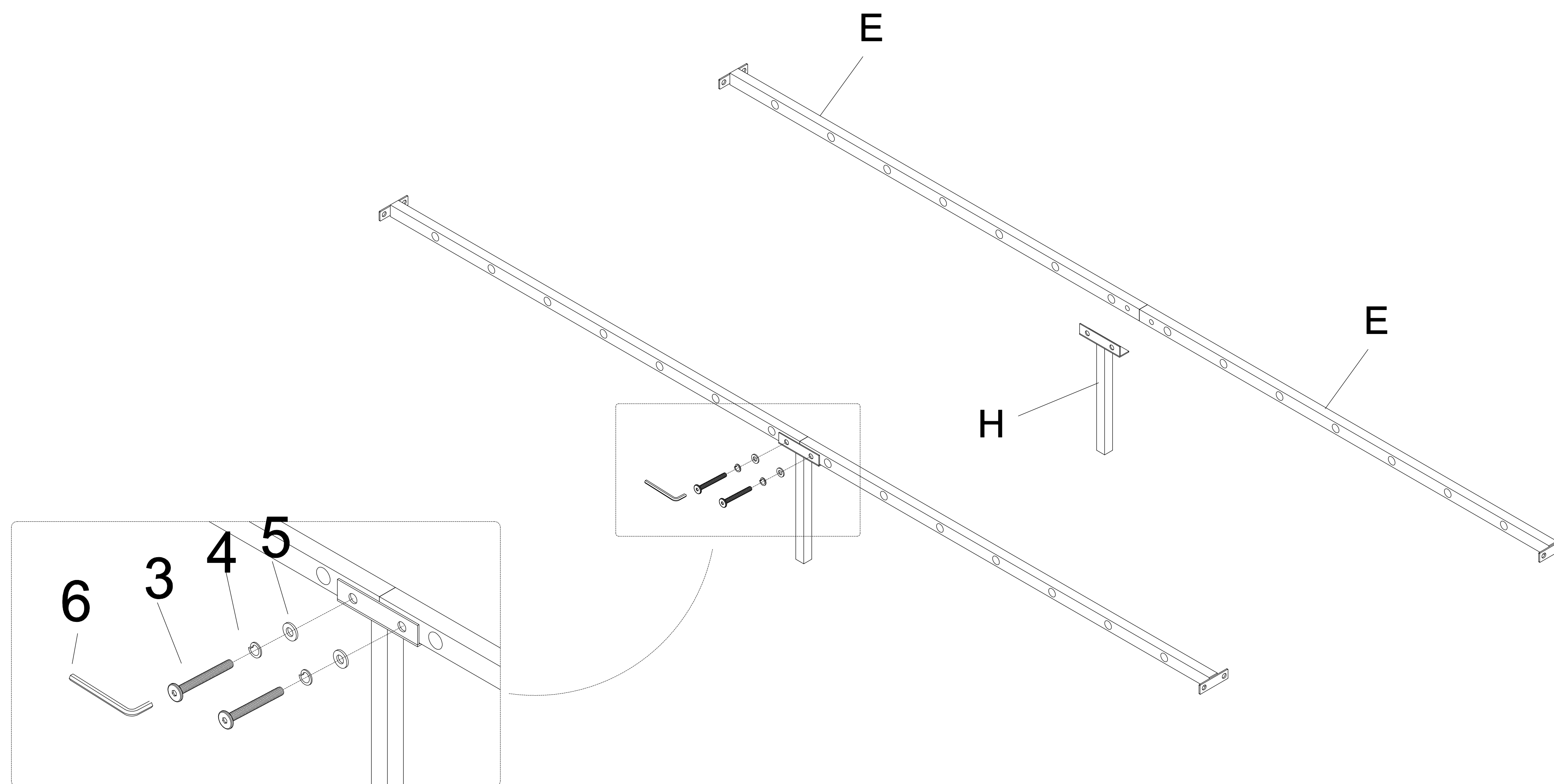
# ASSEMBLY INSTRUCTION

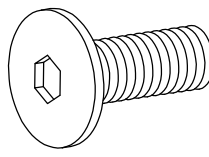
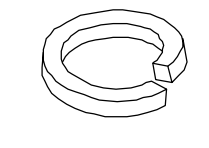
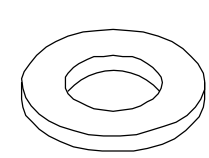
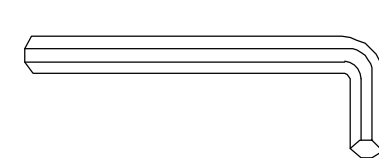
ITEM NO. : WF311809 / WF311811

DESCRIPTION : FULL BED / QUEEN BED

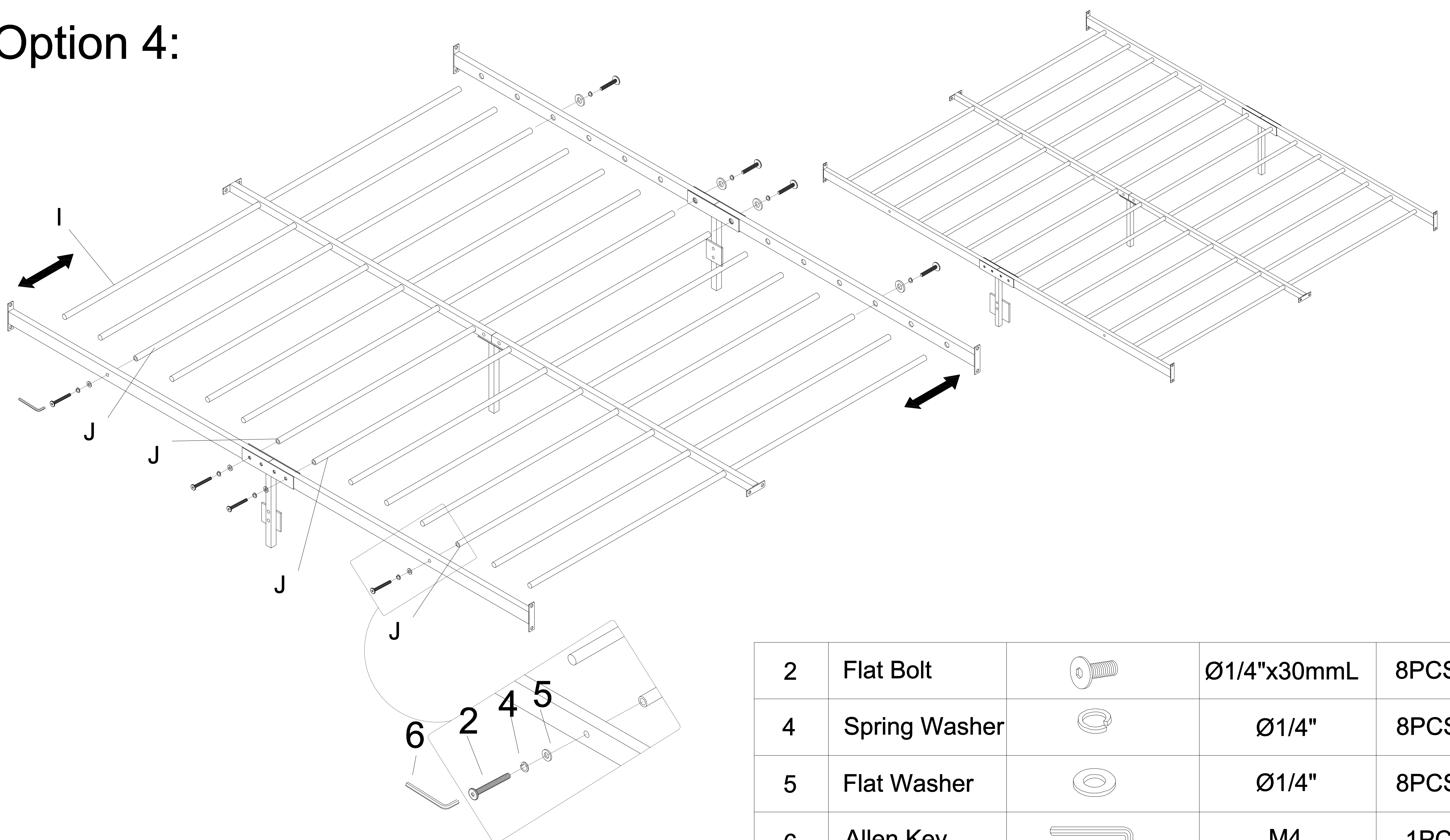
Thank you for purchasing this quality product. Be sure to check all packing material carefully for small part that may have come loose inside the carton during shipment

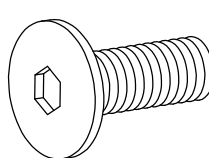
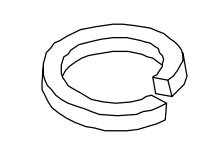
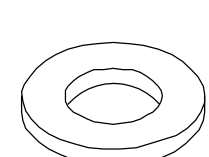
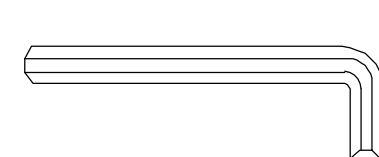
## Option 3:



3	Flat Bolt		Ø1/4"x20mmL	2PCS
4	Spring Washer		Ø1/4"	2PCS
5	Flat Washer		Ø1/4"	2PCS
6	Allen Key		M4	1PC

## Option 4:



2	Flat Bolt		Ø1/4"x30mmL	8PCS
4	Spring Washer		Ø1/4"	8PCS
5	Flat Washer		Ø1/4"	8PCS
6	Allen Key		M4	1PC

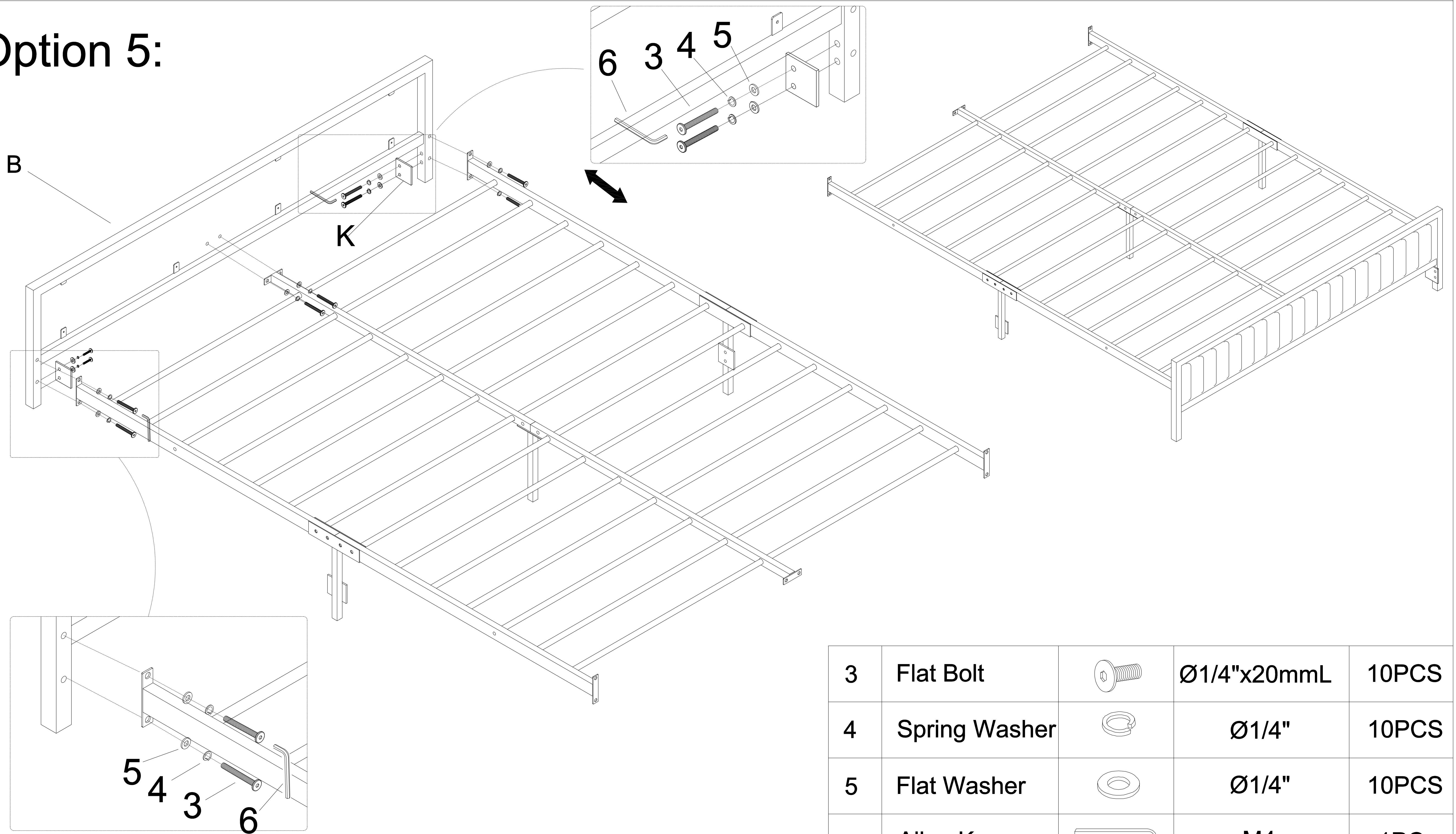
# ASSEMBLY INSTRUCTION

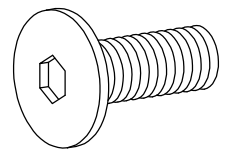
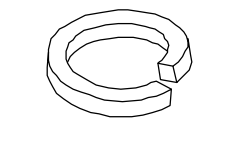
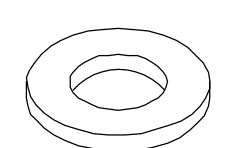
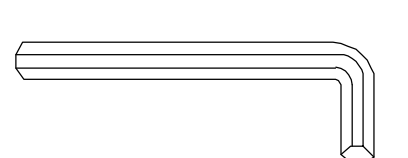
ITEM NO. : WF311809 / WF311811

DESCRIPTION : FULL BED / QUEEN BED

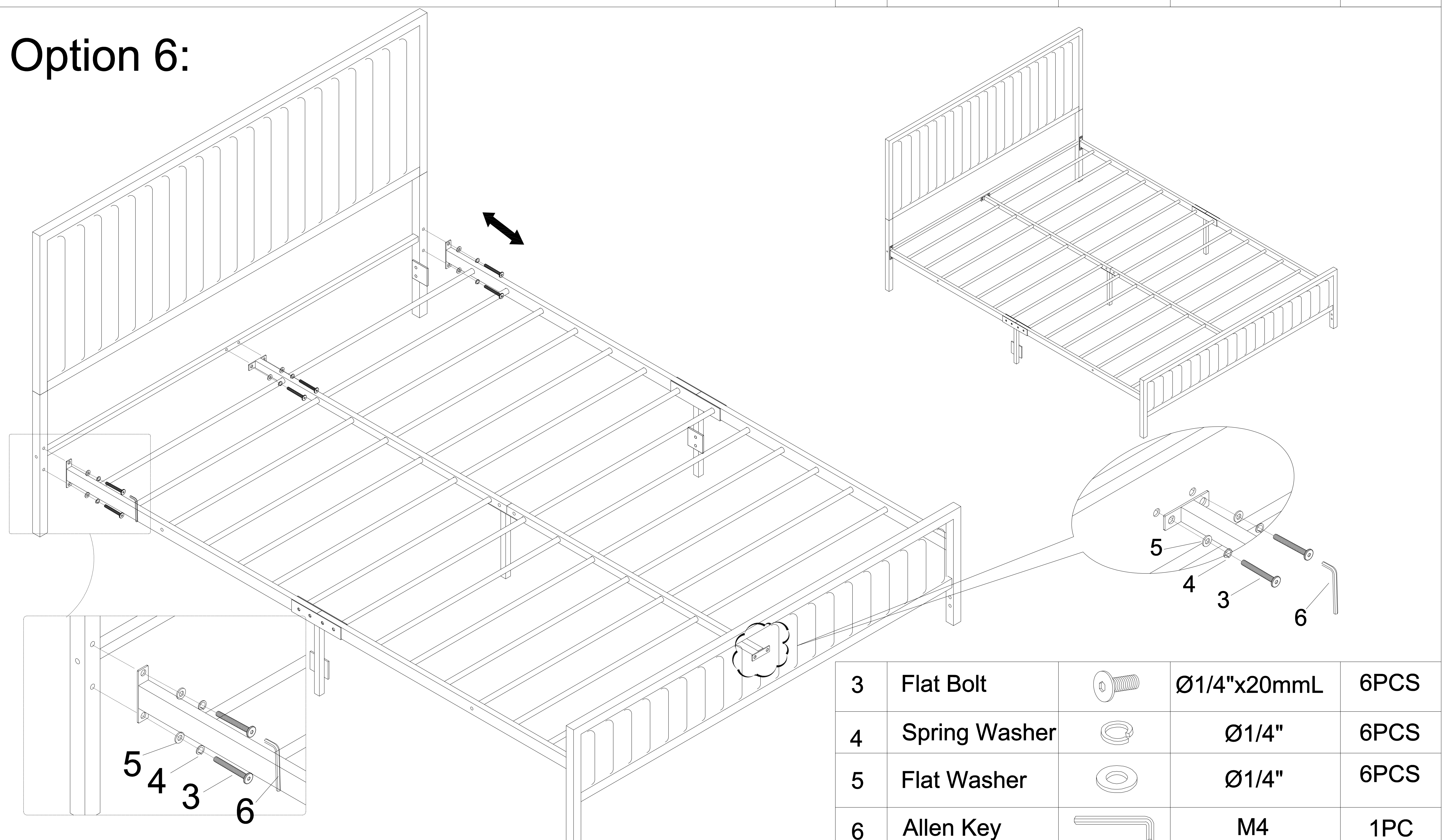
Thank you for purchasing this quality product. Be sure to check all packing material carefully for small part that may have come loose inside the carton during shipment

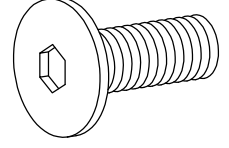
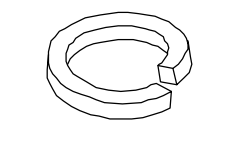
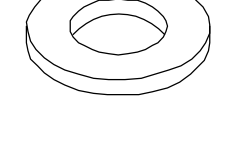

## Option 5:



3	Flat Bolt		Ø1/4"x20mmL	10PCS
4	Spring Washer		Ø1/4"	10PCS
5	Flat Washer		Ø1/4"	10PCS
6	Allen Key		M4	1PC

## Option 6:



3	Flat Bolt		Ø1/4"x20mmL	6PCS
4	Spring Washer		Ø1/4"	6PCS
5	Flat Washer		Ø1/4"	6PCS
6	Allen Key		M4	1PC

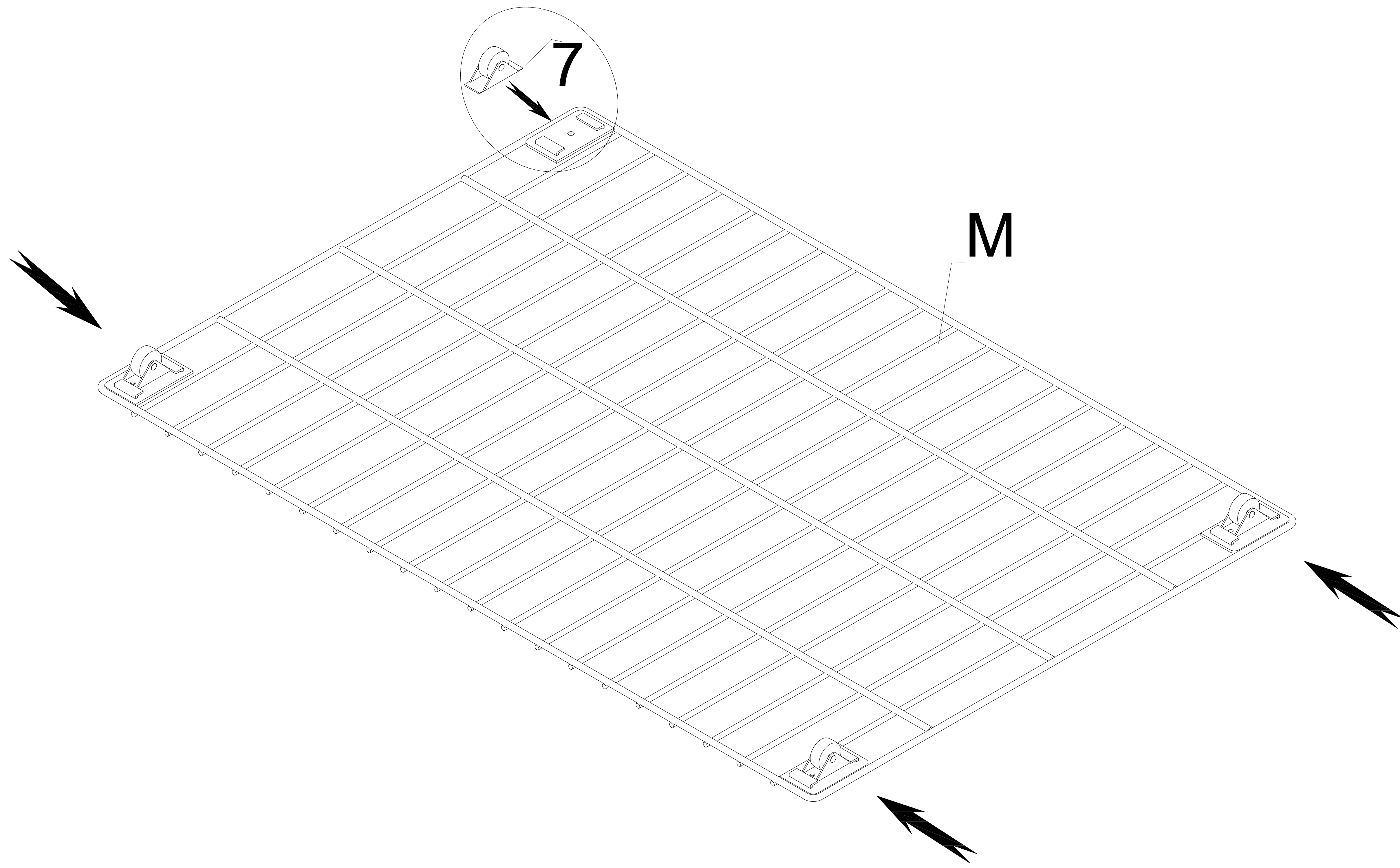
# ASSEMBLY INSTRUCTION

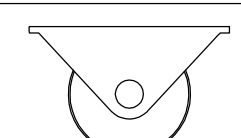
ITEM NO. : WF311809 / WF311811

DESCRIPTION : FULL BED / QUEEN BED

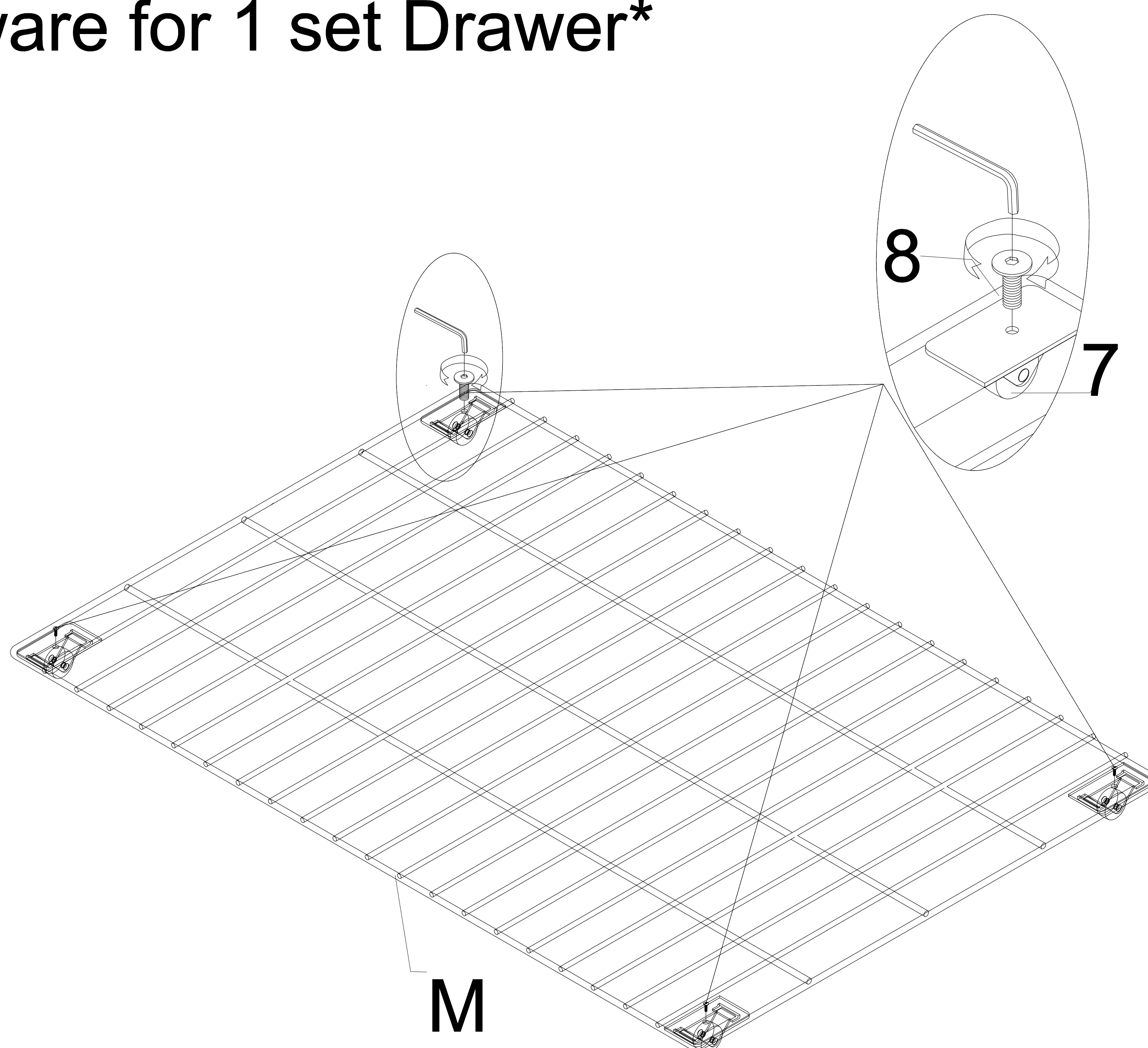
Thank you for purchasing this quality product. Be sure to check all packing material carefully for small part that may have come loose inside the carton during shipment

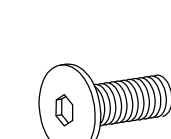
## \*Hardware for 1 set Drawer\*



7	Wheel		-	4PCS
---	-------	---	---	------

## \*Hardware for 1 set Drawer\*



8	Flat Bolt		Ø1/4"*8mm	4PCS
---	-----------	---	-----------	------

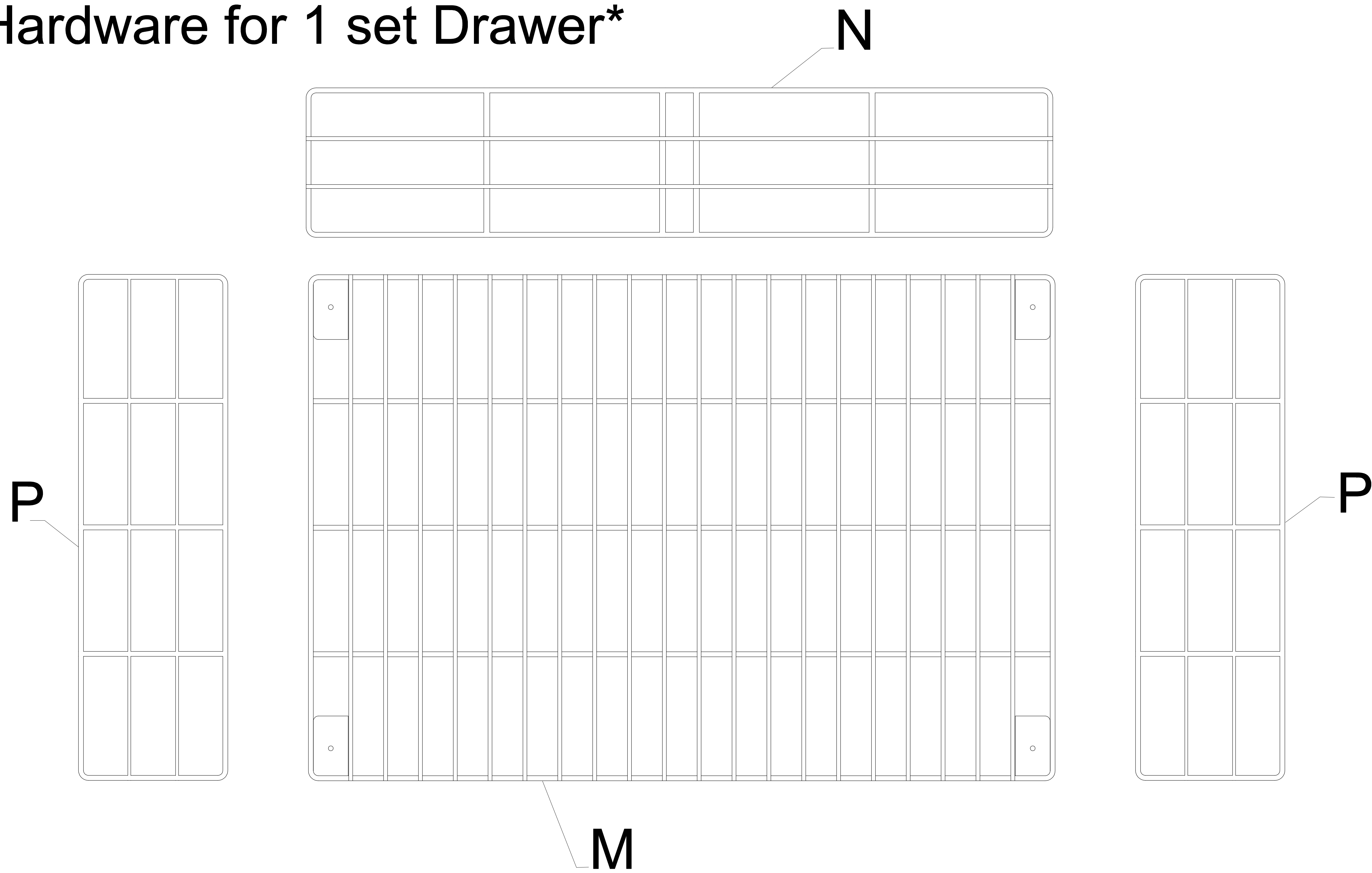
# ASSEMBLY INSTRUCTION

ITEM NO. : WF311809 / WF311811

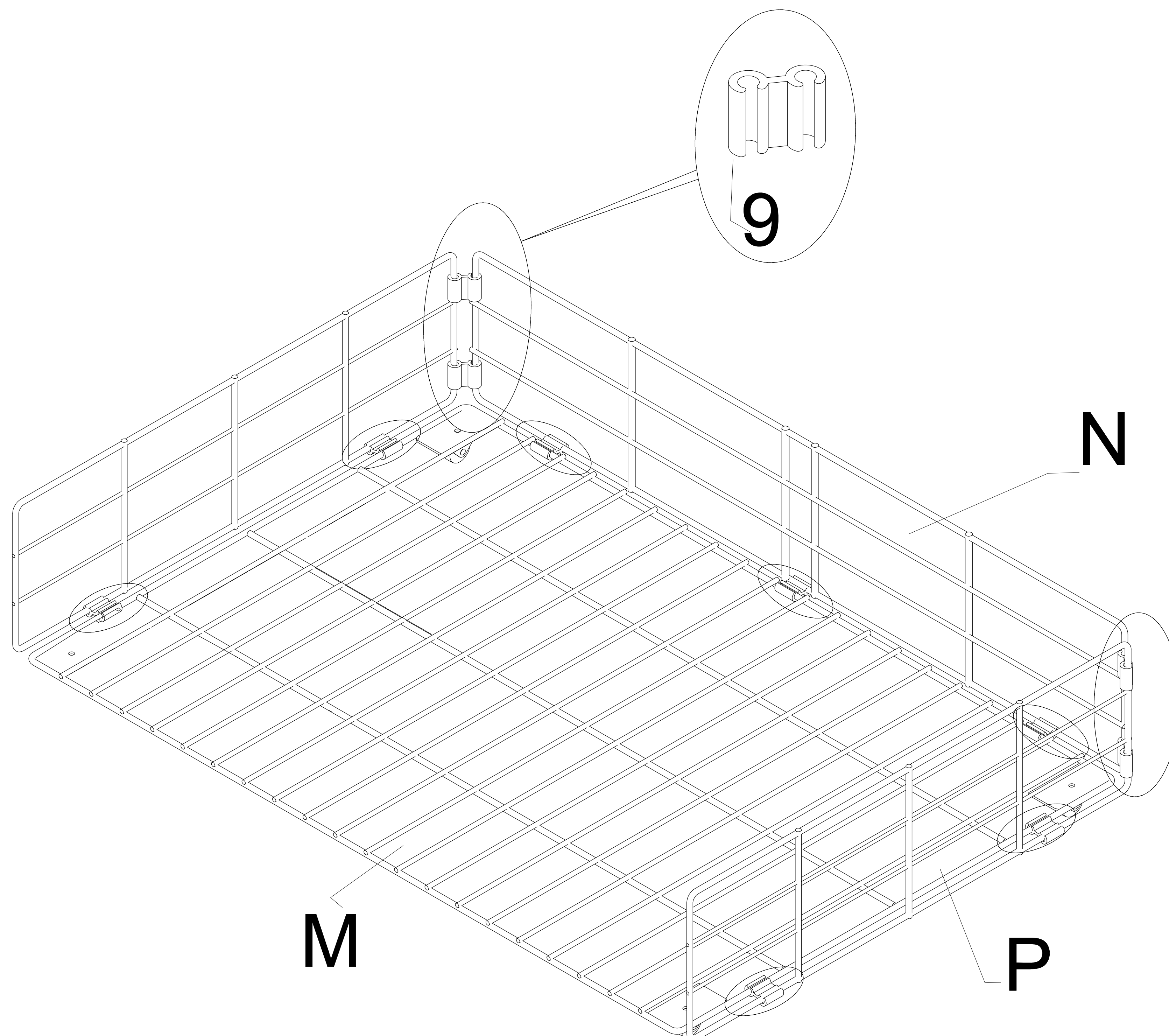
DESCRIPTION : FULL BED / QUEEN BED

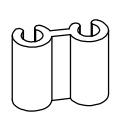
Thank you for purchasing this quality product. Be sure to check all packing material carefully for small part that may have come loose inside the carton during shipment

## \*Hardware for 1 set Drawer\*



## \*Hardware for 1 set Drawer\*



9	Plastic Double Pipe Clamps		-	11PCS
---	----------------------------	---	---	-------

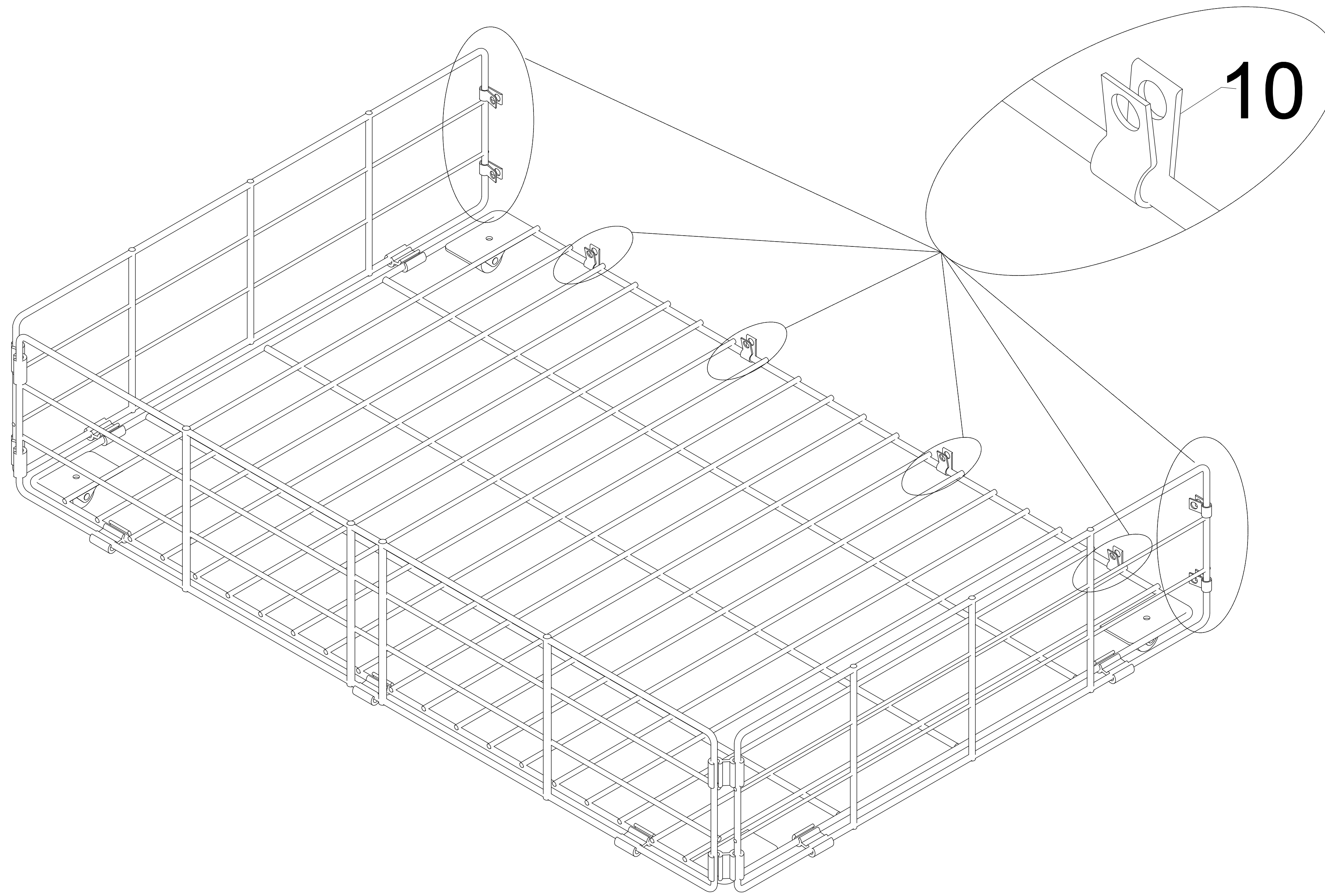
# ASSEMBLY INSTRUCTION

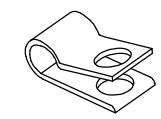
ITEM NO. : WF311809 / WF311811

DESCRIPTION : FULL BED / QUEEN BED

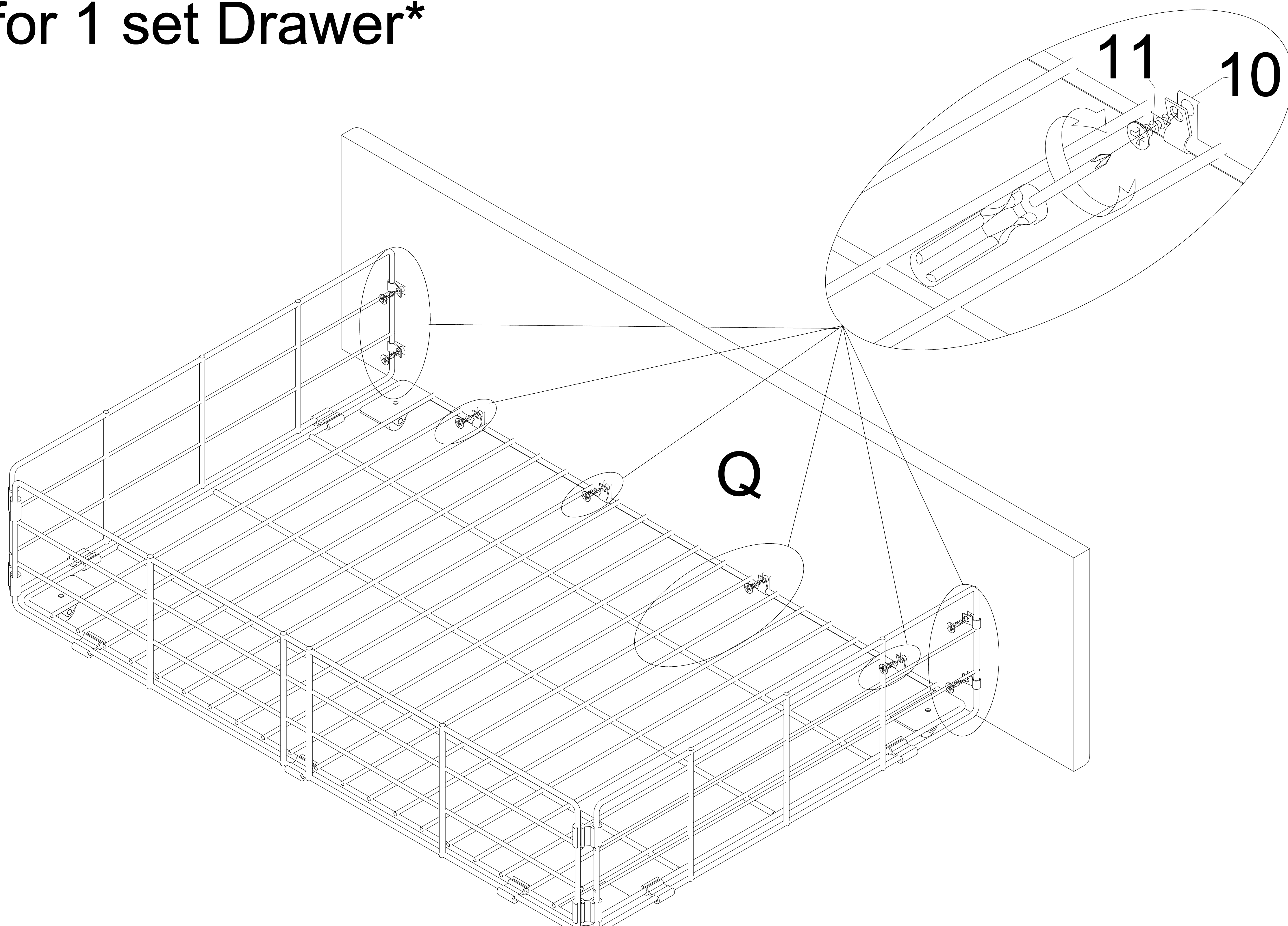
Thank you for purchasing this quality product. Be sure to check all packing material carefully for small part that may have come loose inside the carton during shipment

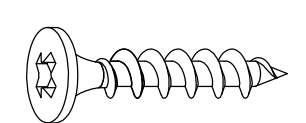
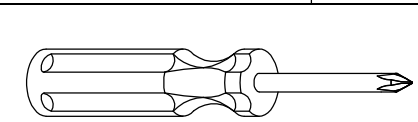
## \*Hardware for 1 set Drawer\*



10	Plastic Pipe Strap		-	8PCS
----	--------------------	---	---	------

## \*Hardware for 1 set Drawer\*



11	Screw		Ø4*15mm	8PCS
(NOT PROVIDED)			SCREWDRIVER	



# ASSEMBLY INSTRUCTION

ITEM NO. : WF311809 / WF311811

DESCRIPTION : FULL BED / QUEEN BED

Thank you for purchasing this quality product. Be sure to check all packing material carefully for small part that may have come loose inside the carton during shipment

