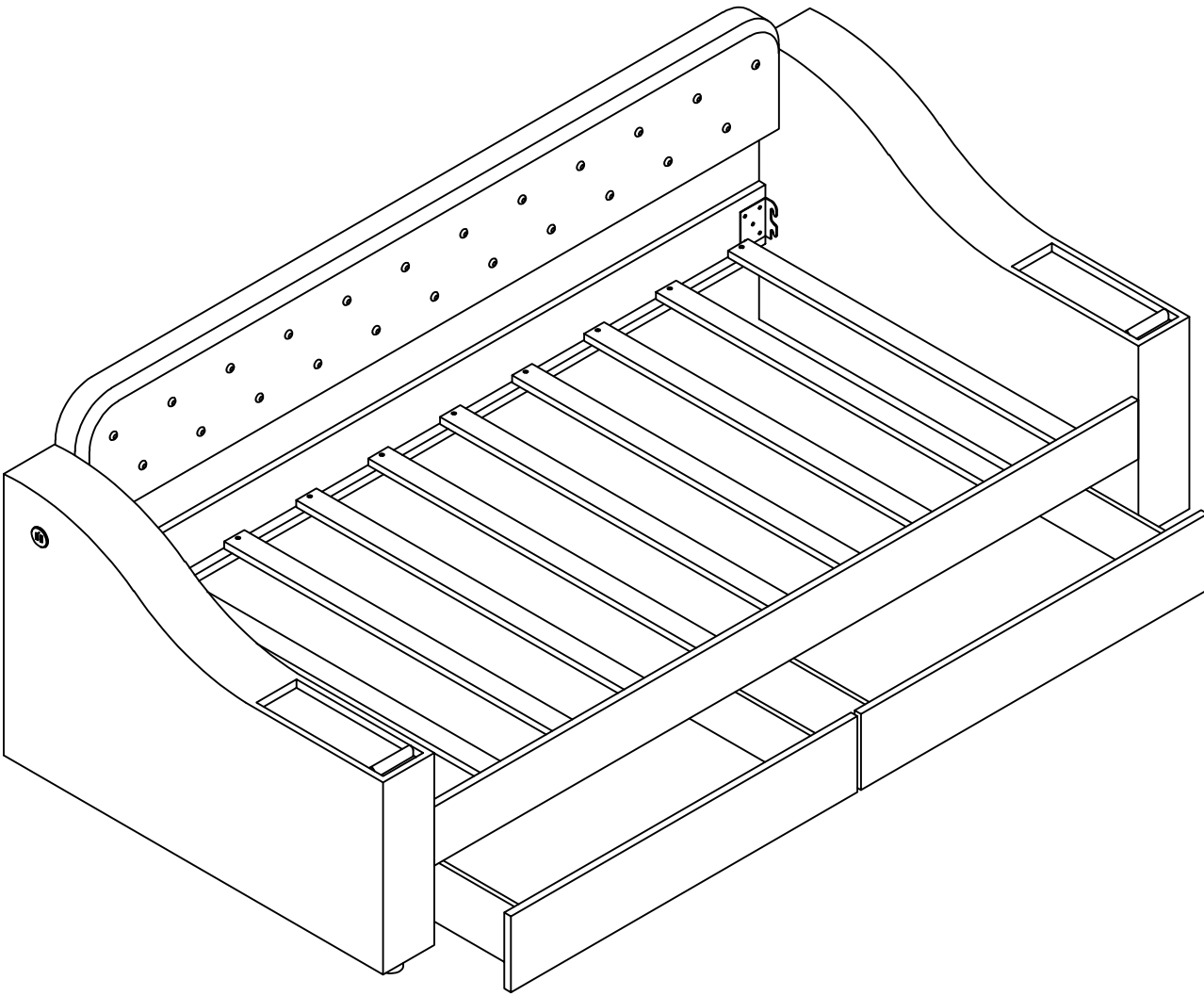
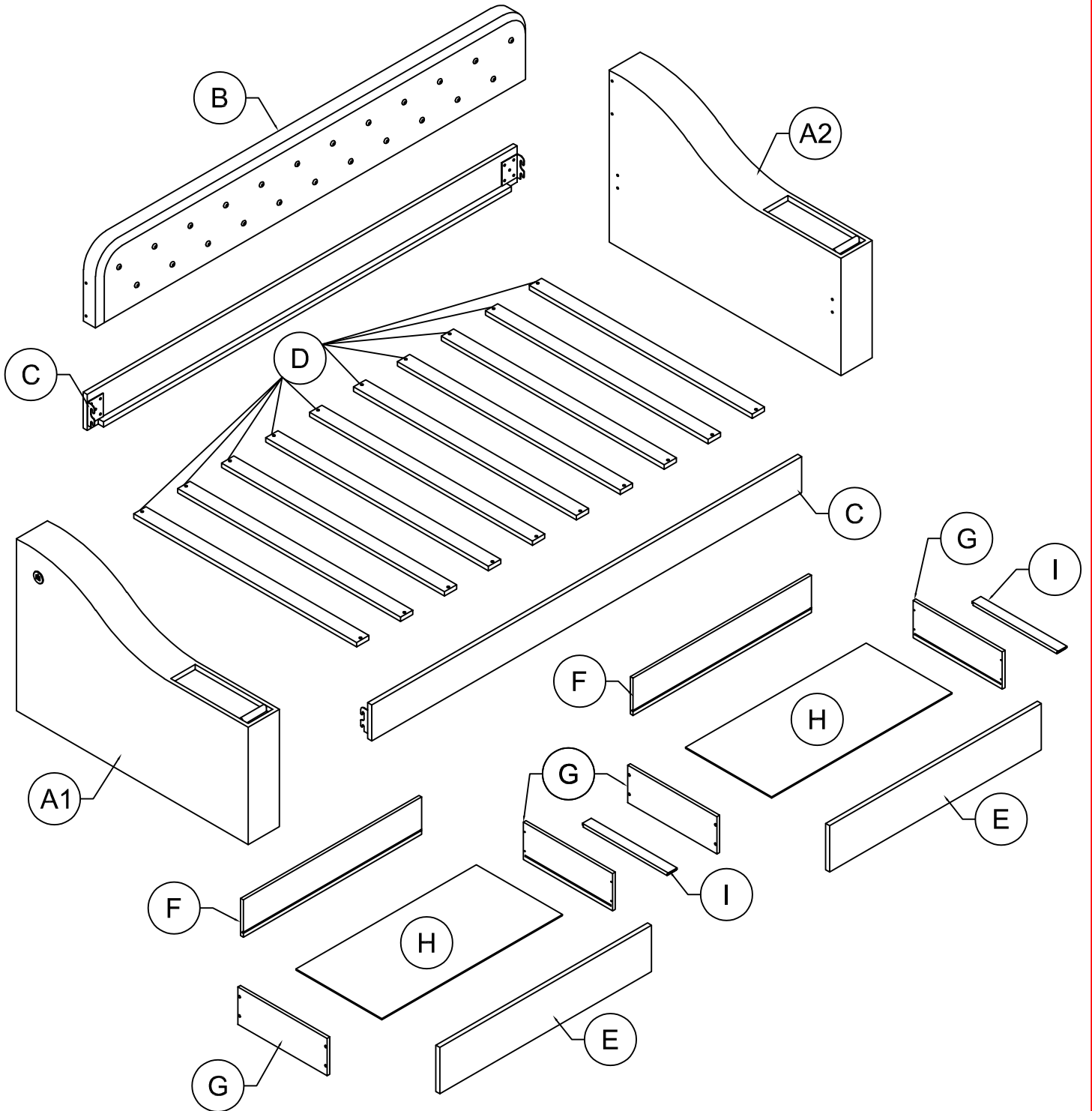


ASSEMBLY INSTRUCTION
SKU CODE: (WF311358/WF311359)

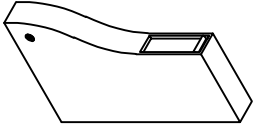


ASSEMBLY INSTRUCTION



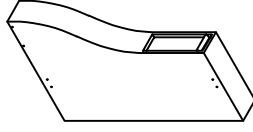
Part List (WF311358)

A1



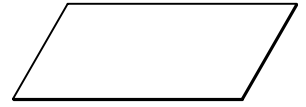
Left Arm - 1pcs

A2



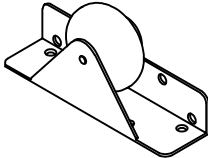
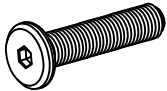


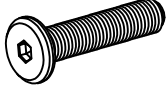



Right Arm - 1pcs

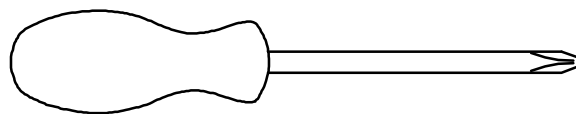
H



Drawers - Bottom Panel - 2pcs

Hardware List (WF311358)

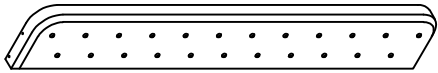
<p>1</p>  <p>Wheels 8pcs</p>	<p>2</p>  <p>1/4" x 50mm Hex-Head bolts 4pcs</p>	<p>3</p>  <p>Allen Key 1pcs</p>
<p>4</p>  <p>Plastic Feet(Ø50x40) 4pcs</p>	<p>5</p>  <p>1/4" x 30mm Hex-Head bolts 5pcs</p>	<p>6</p>  <p>Plastic Drawer Stopper 4 pcs</p>
<p>7</p>  <p>M4 x 15 mm Wood Screws 20pcs</p>	<p>8</p>  <p>M4 x 30 mm Wood Screws 36pcs</p>	



Assembly Tools Required (Not Included)

Part List (WF311359)

B



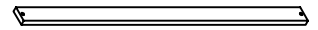
Lean Back - 1pcs

C



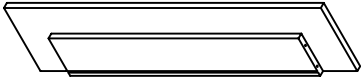
Side Rails - 2pcs

D



Slats - 10pcs

E



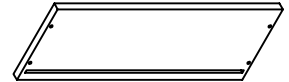
Drawers - Front Panel - 2pcs

F



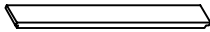
Drawers - Back Panel - 2pcs

G



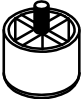
Drawers - Side Panel - 4pcs

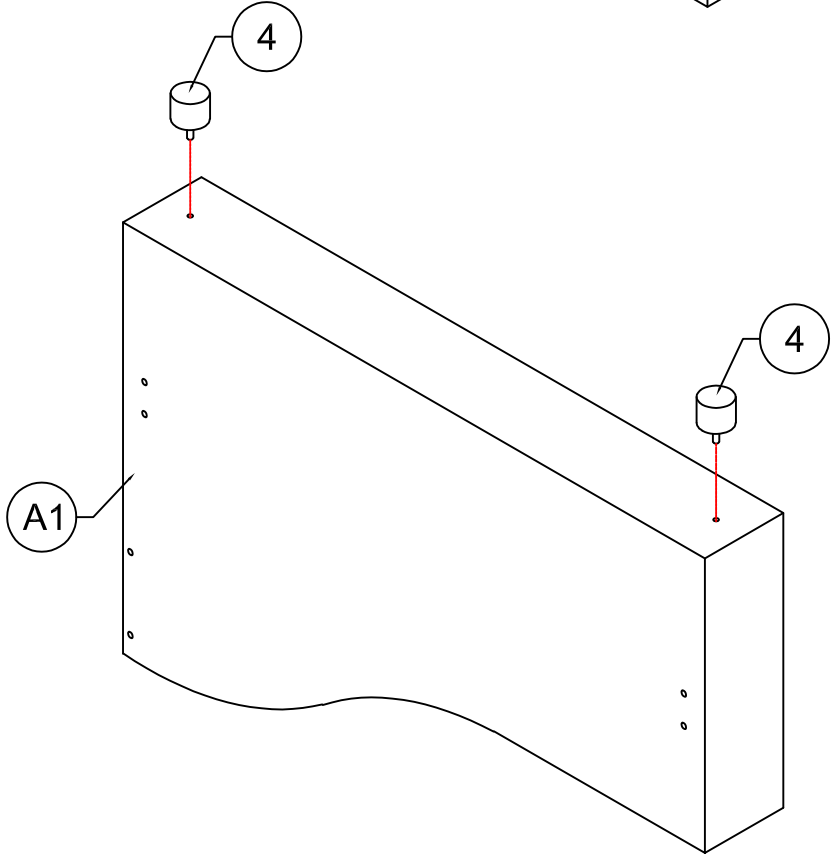
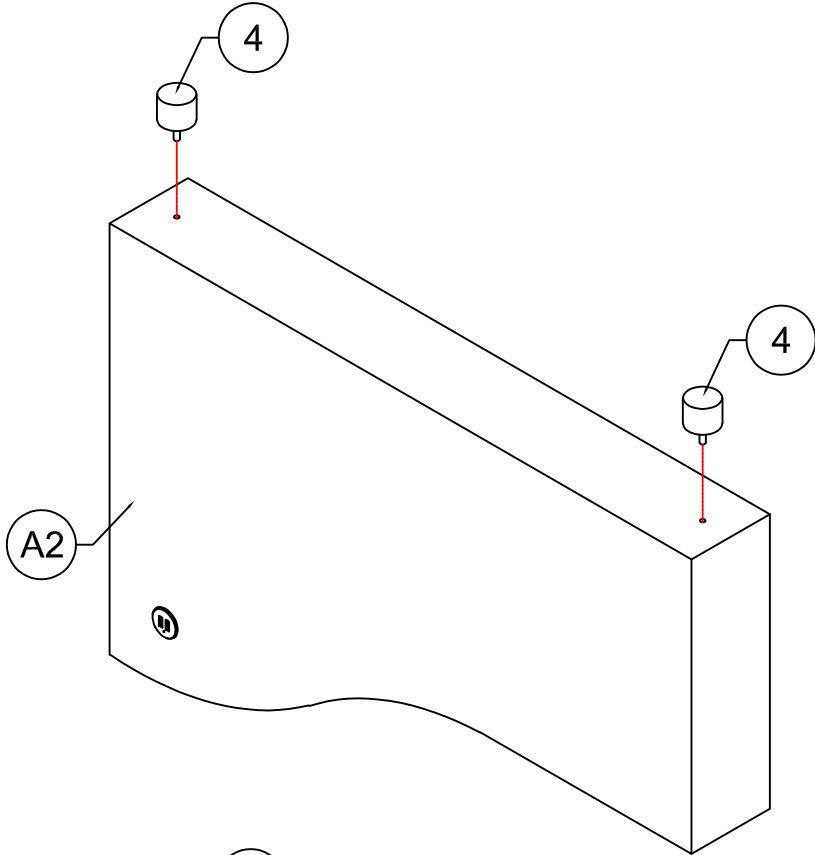
I



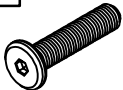
Drawers - Support Bottom - 2pcs

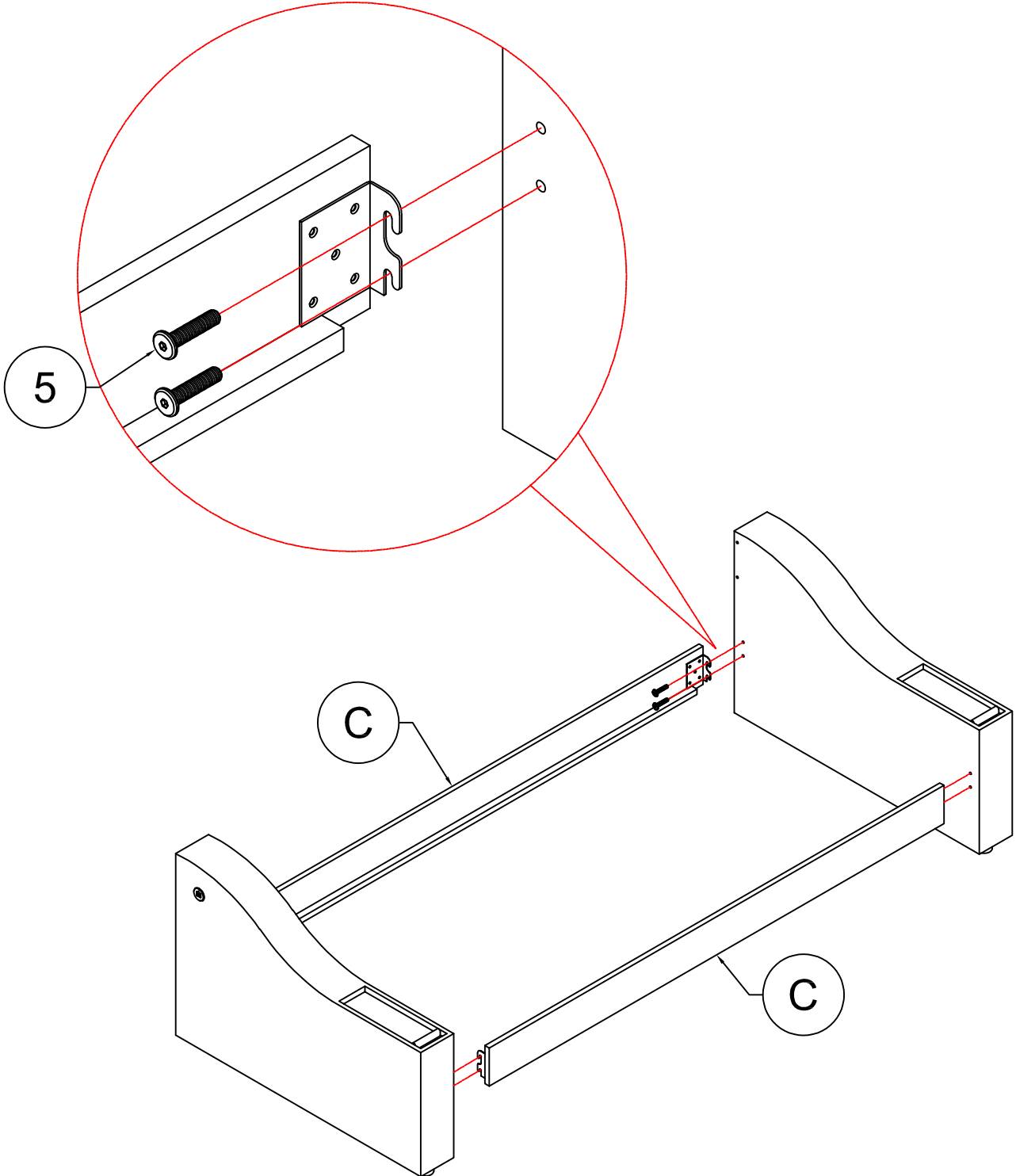
STEP 1: Following below illustration:

4	
4pcs	

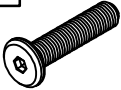


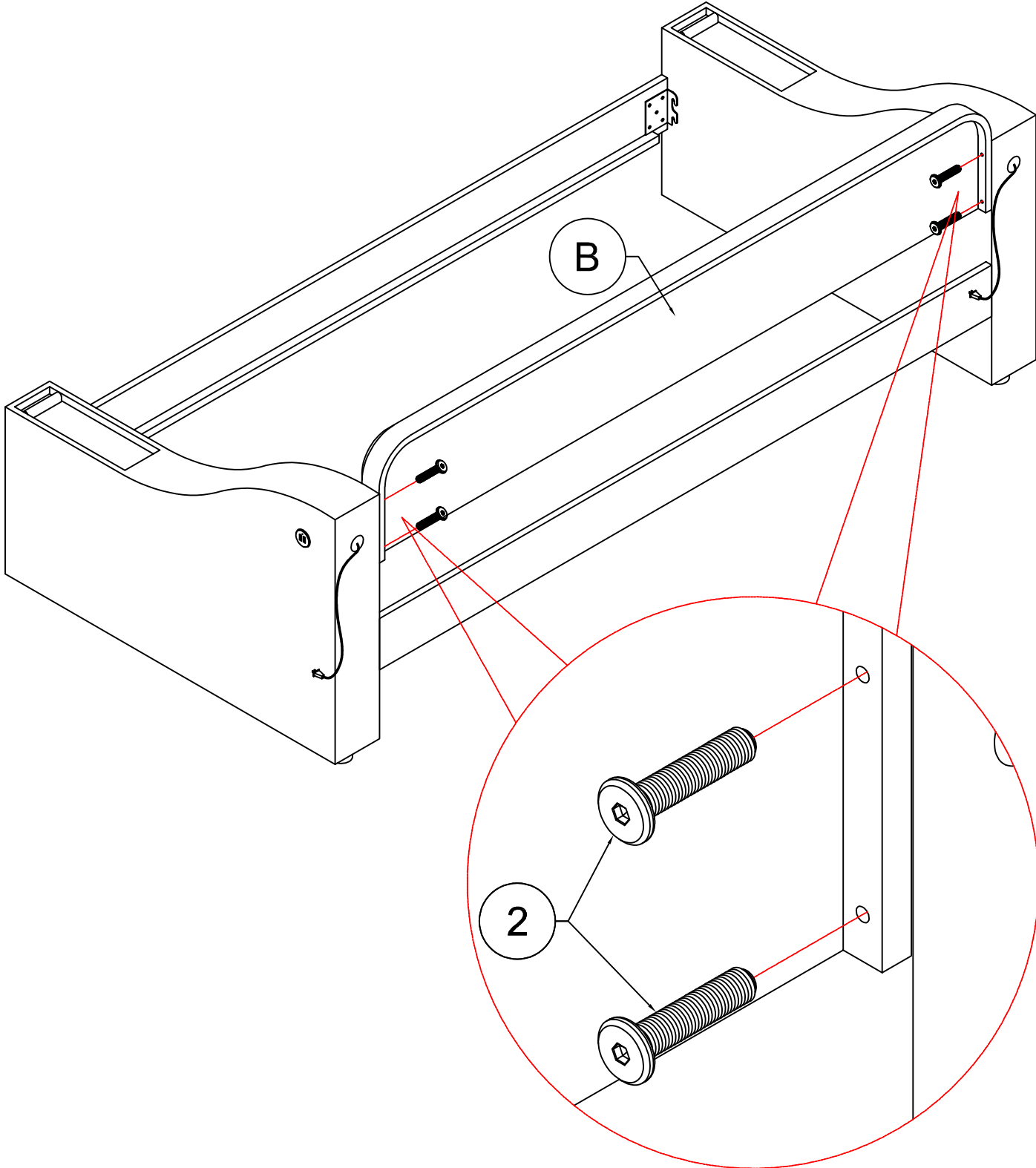
STEP 2: Following below illustration:

5	
8pcs	



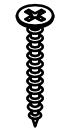


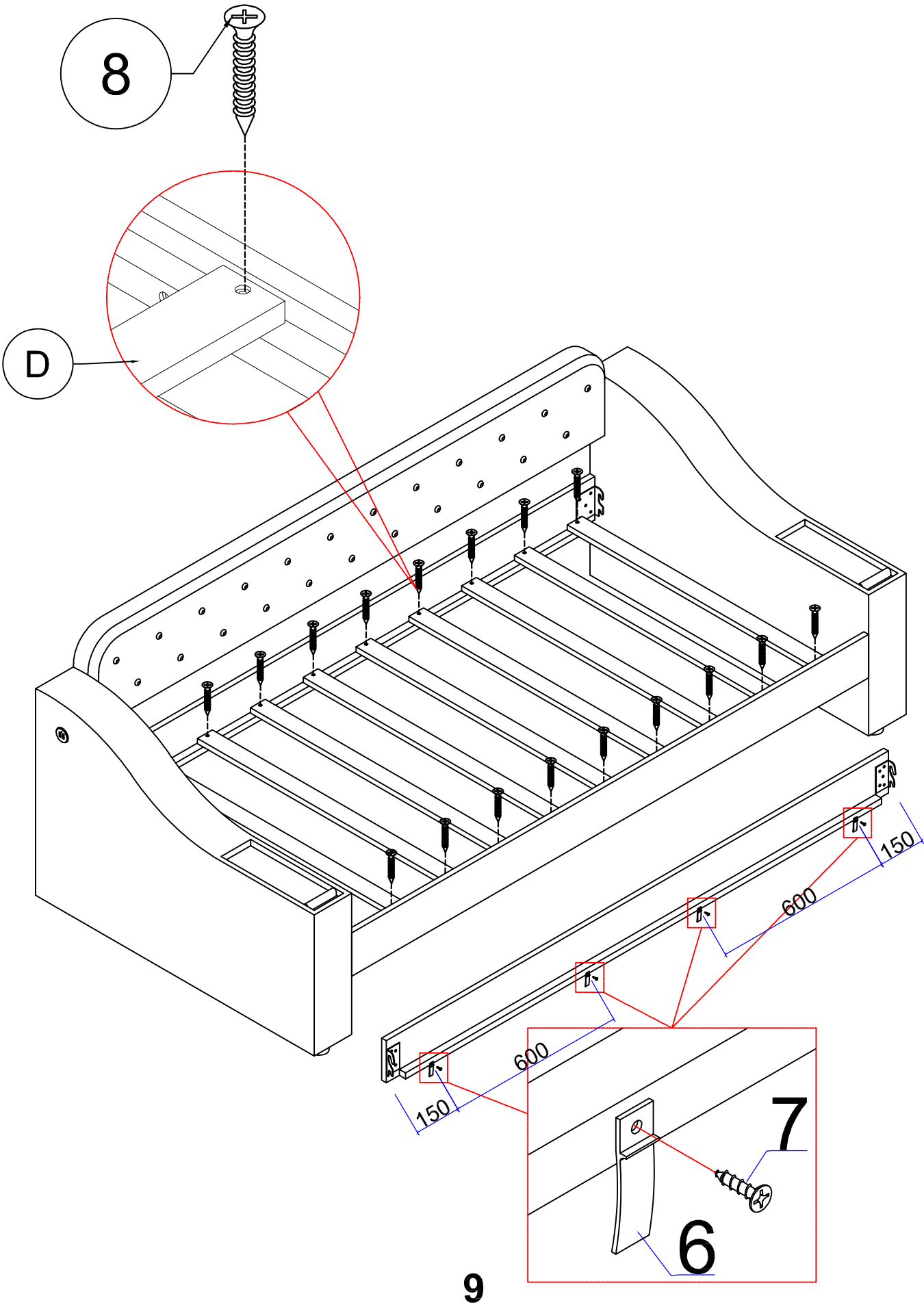
STEP 3: Following below illustration:

2	
4pcs	




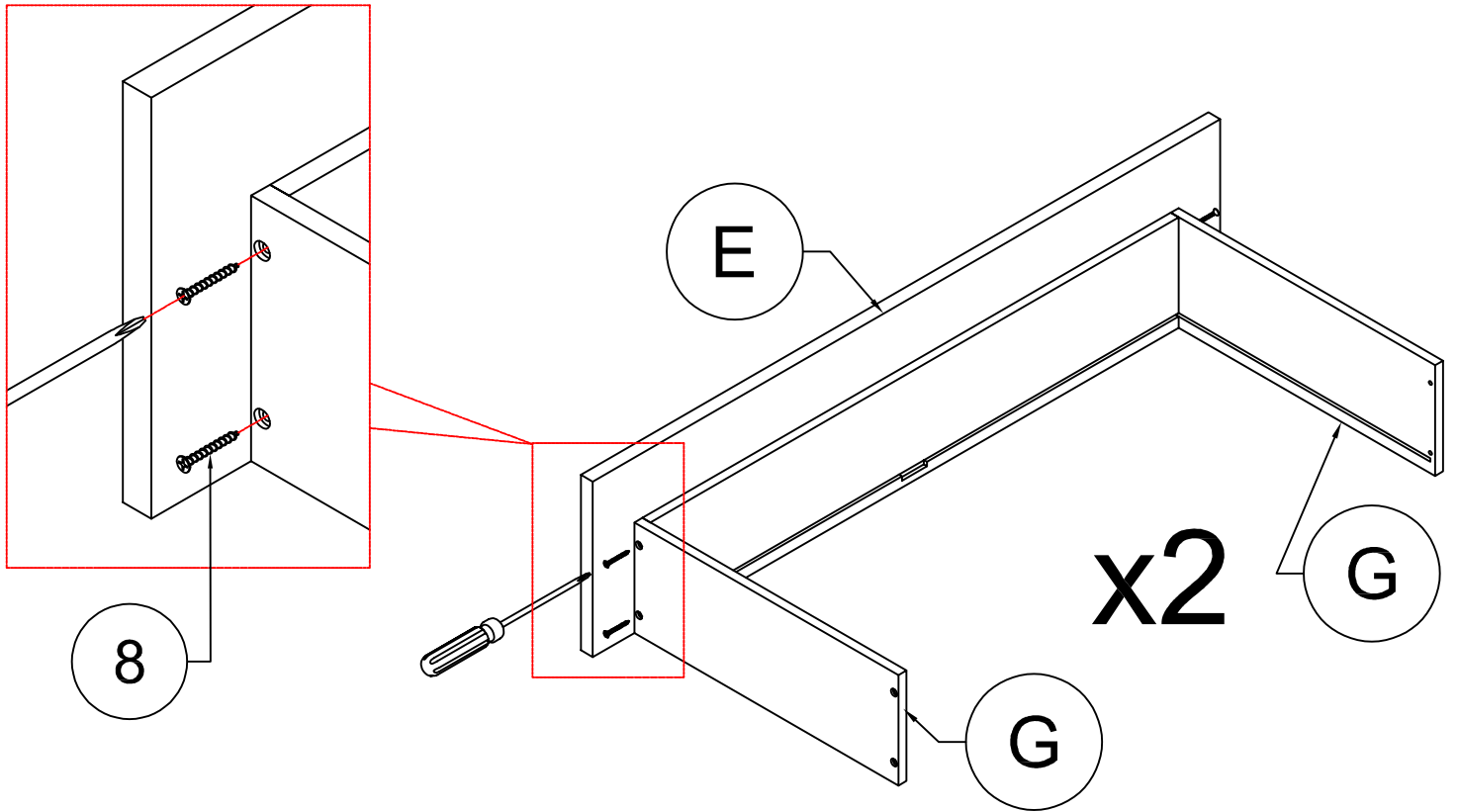
STEP 4: Following below illustration:

7		6		8	
4pcs		4pcs		20pcs	

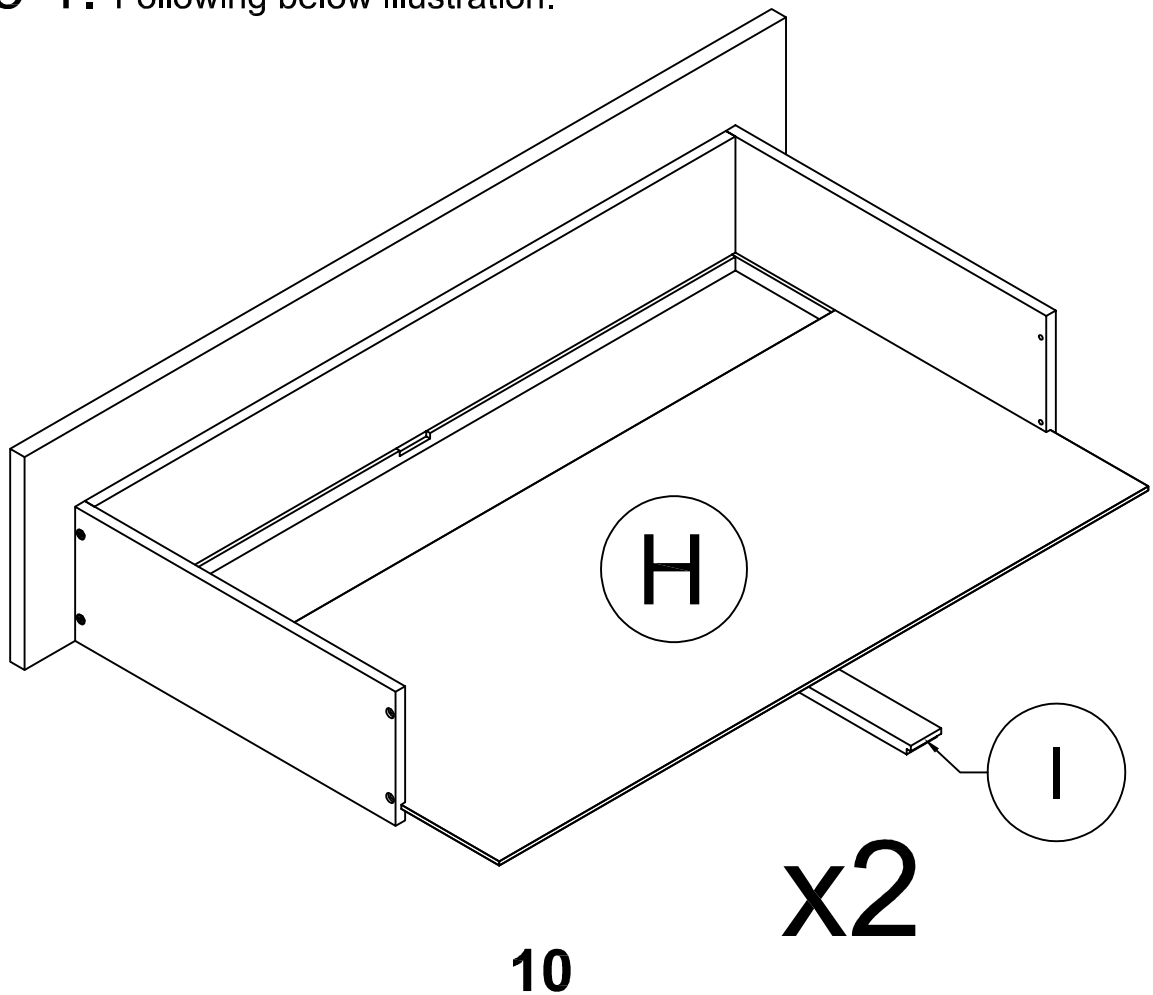


STEP 5: Following below illustration:


8	
8pcs	



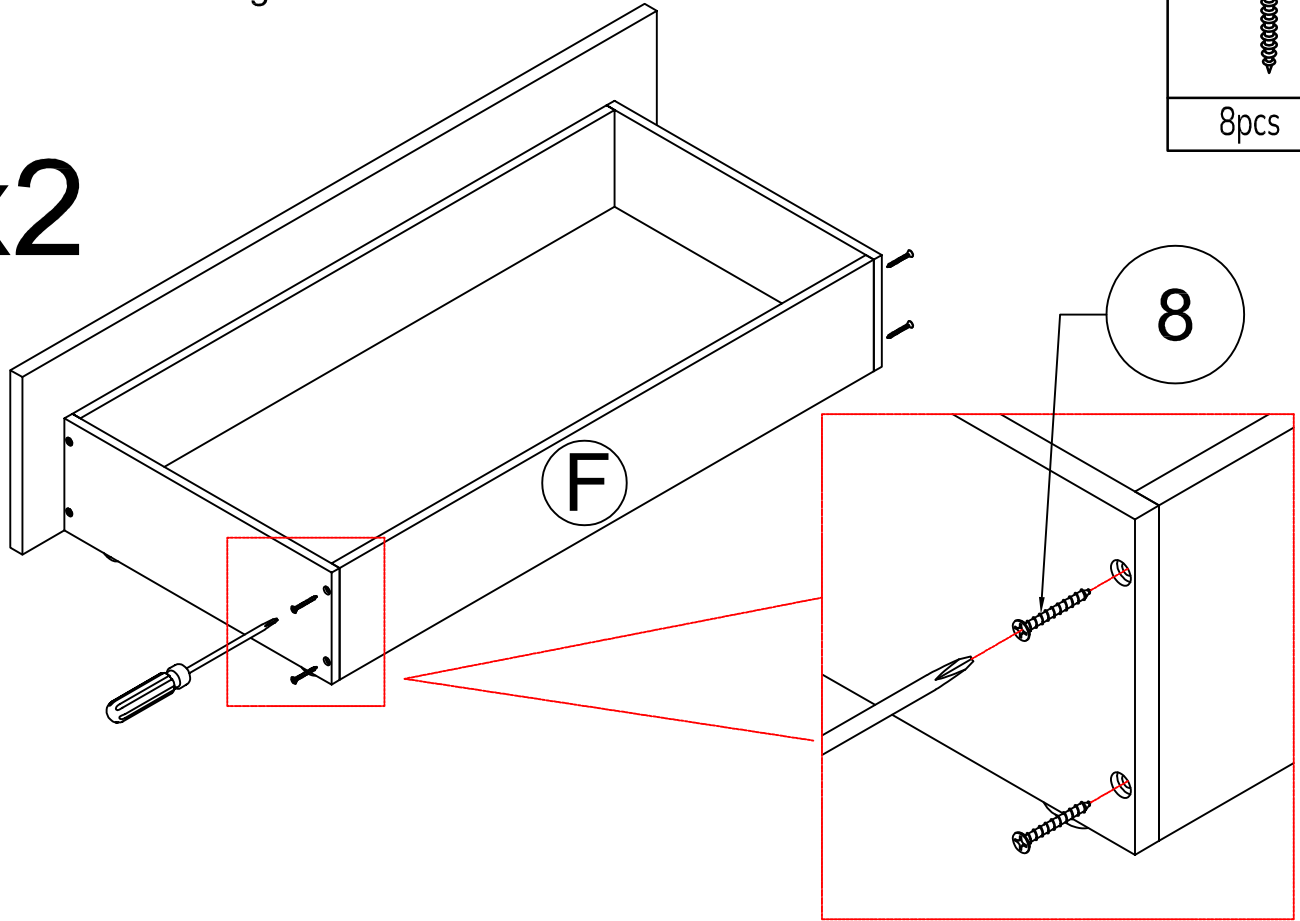
STEP 5-1: Following below illustration:



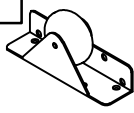

STEP 6: Following below illustration:

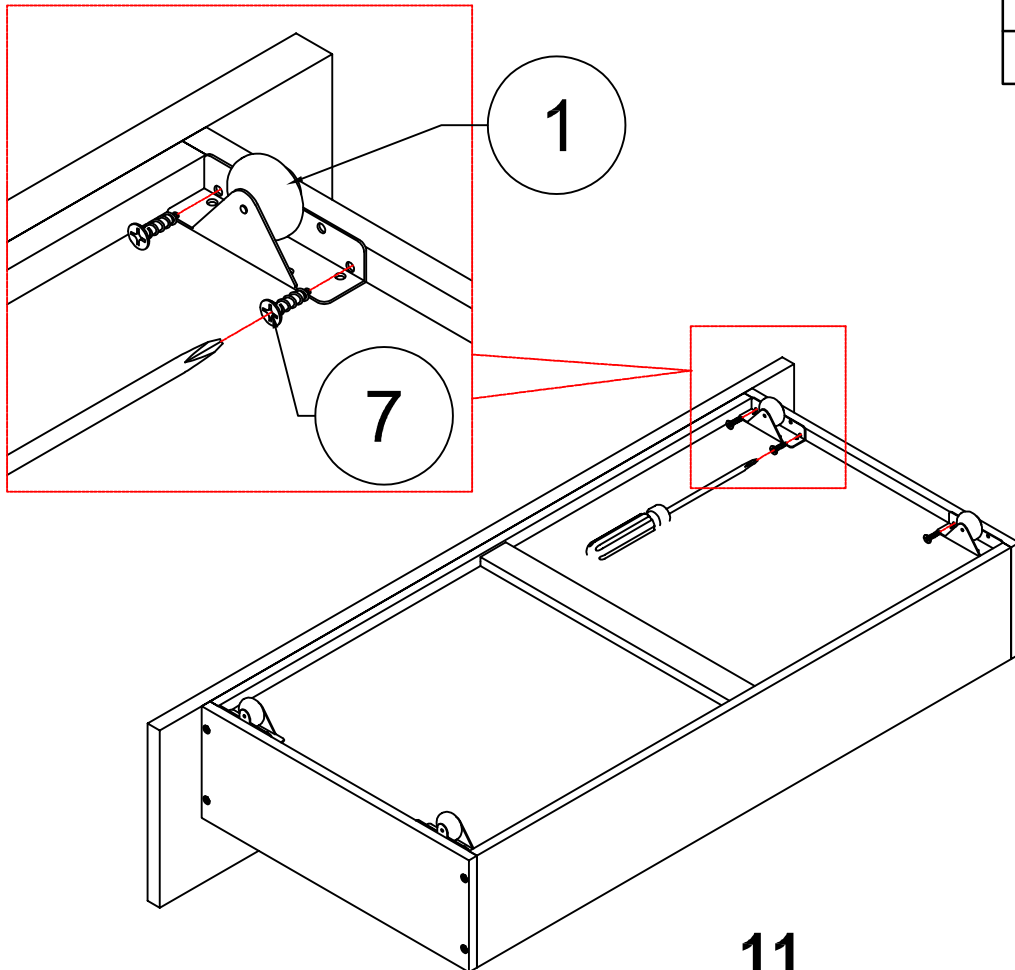
8	
8pcs	

x2



STEP 6-1: Following below illustration:

1		7	
8pcs		16pcs	



x2

FINISH

