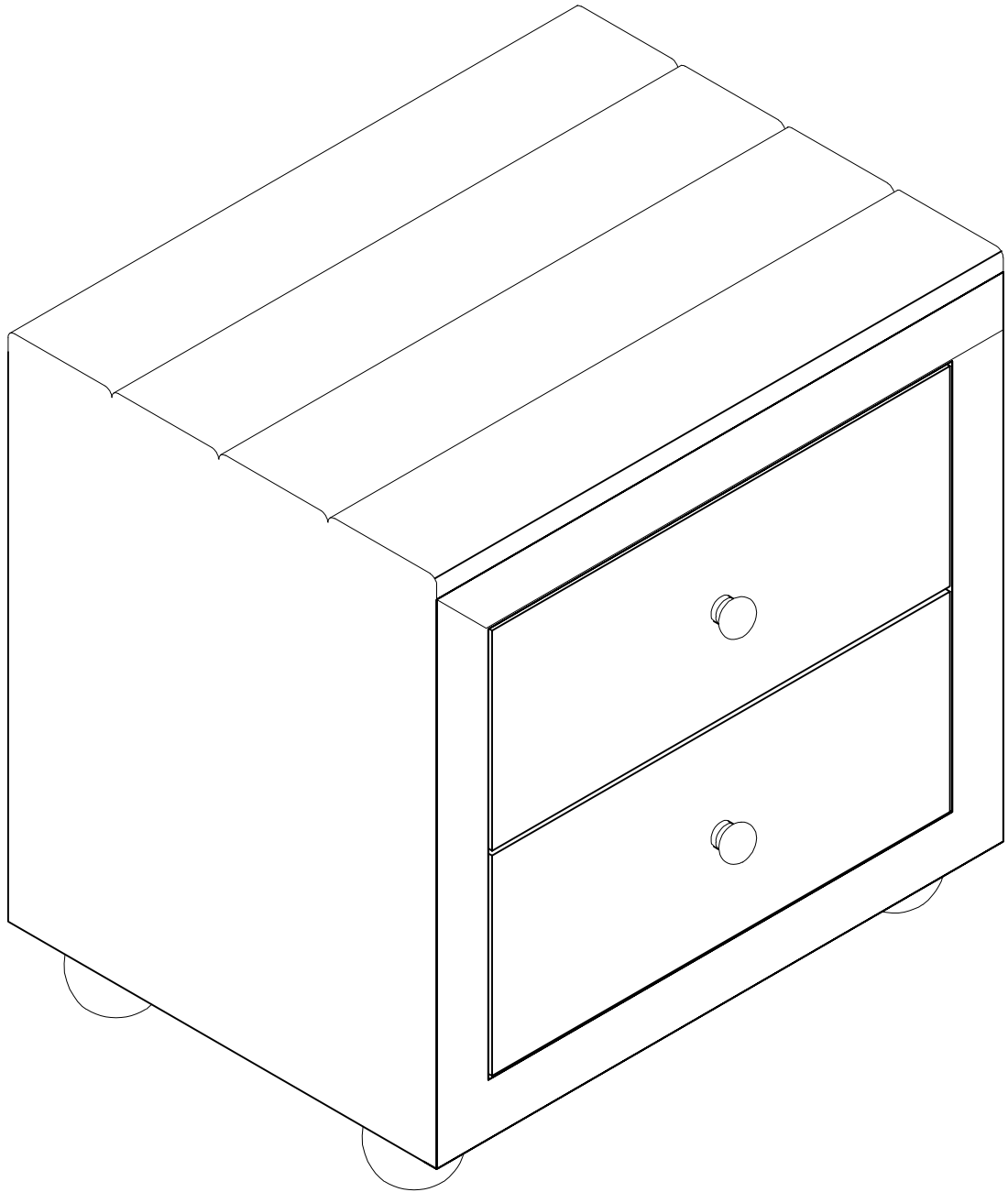
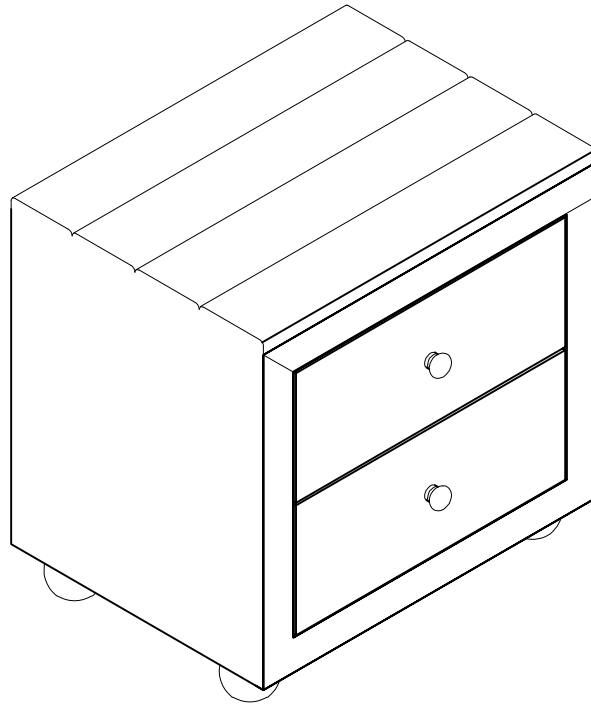


# ASSEMBLY INSTRUCTION

SKU CODE: (WF309731)



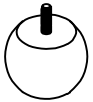
## Part List (WF309731)



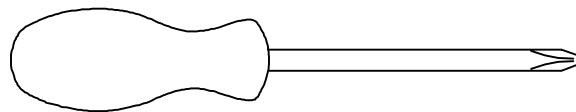
(A) Cabinet - 2 Drawer: 1pc

## Hardware List (WF309731)

1

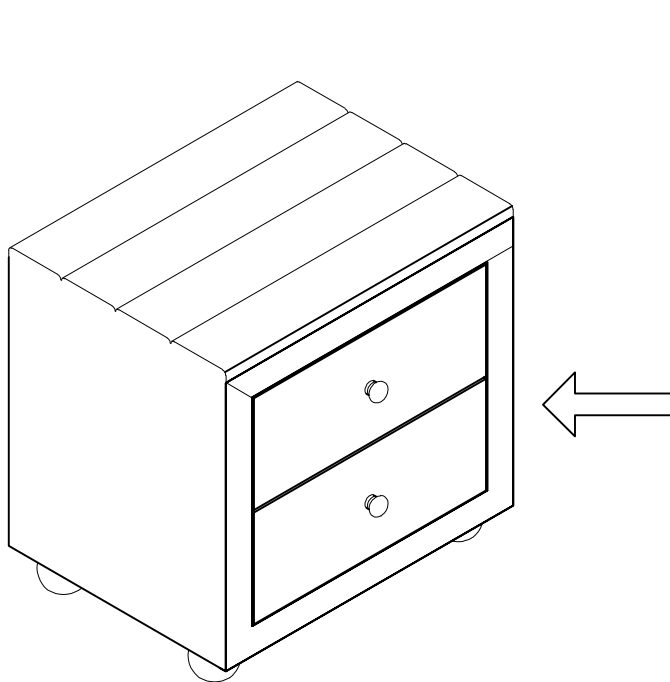
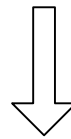
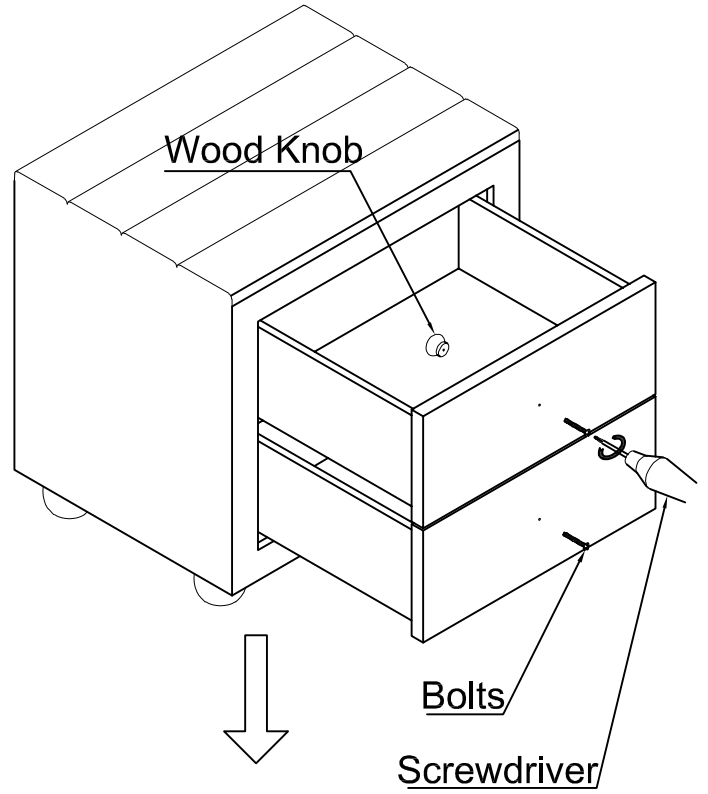
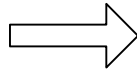
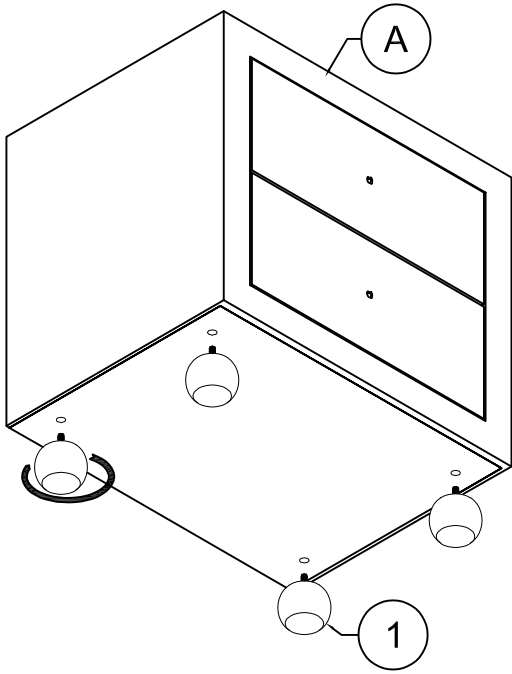


Wood foot  
4pcs



**Assembly Tools Required (Not Included)**

# ASSEMBLY INSTRUCTION



**Finish**